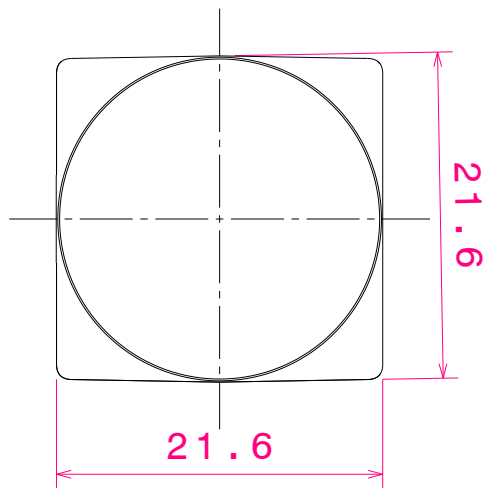
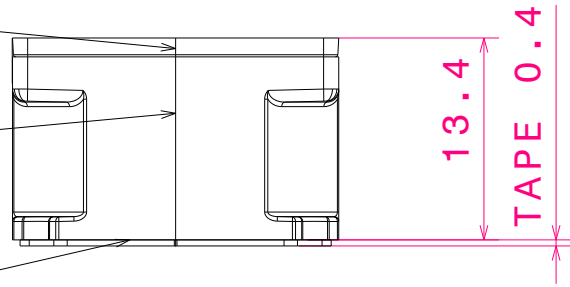


Isometric view  
Scale: 1:1

Lens ROSE

Holder

Adhesive Tape



**MATERIALS**

LENS: PC

HOLDER: PC

Tape: PU foam with PSA adhesive

This drawing is our property.  
It can't be reproduced  
or communicated without  
our written agreement.



L  
T  
F  
F

e  
e  
i  
i  
N  
n

d

**DRAWING TITLE**

Datasheet CRS assy

**DRAWN BY**

p

**DATE**

05.11.2008

**CHECKED BY**

H

**DATE**

10.10.2006

**SIZE**

A4

**DRAWING NUMBER**

**REV**

1

**DESIGNED BY**

HH

**DATE**

10.10.2006

**SCALE**

2:1

**WEIGHT (g)**

-

**SHEET**

1/1

D

A

4

4

3

3

2

2

1

1