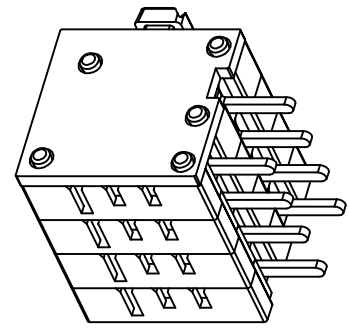
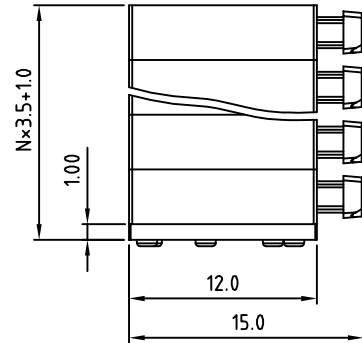


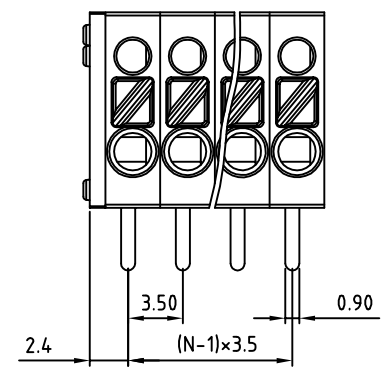
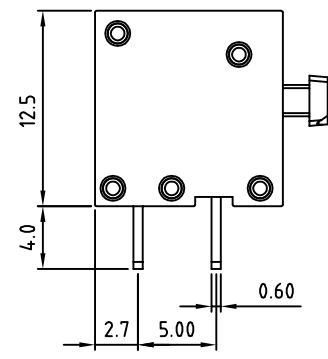
SIGN	DATE	DESCRIPTION	APPROVER
<i>THIS IS CAD DRAWING, DO NOT REVISE MANUALLY!!!</i>			



- Material**
- Terminal body (Contact pin): Brass
  - Wire guard: Stainless steel
  - Surface of solder tail: Tin plated
  - Insulator (housing): Thermoplastic (UL94V-0)

- Electrical**
- Voltage rating: AC 300V
  - Current rating: 10A
  - Wire range:
    - Solid wire(AWG): 16-26
    - Stranded wire(AWG): 16-26
  - Wire strip length: 7-8mm
  - Withstanding Voltage: 1.6KV
  - Operating temperature: -40°C to +115°C
  - Soldering temperature: 250°C±10°C/5 Sec
  - Safety Approval: pending approval

RoHS Compliant



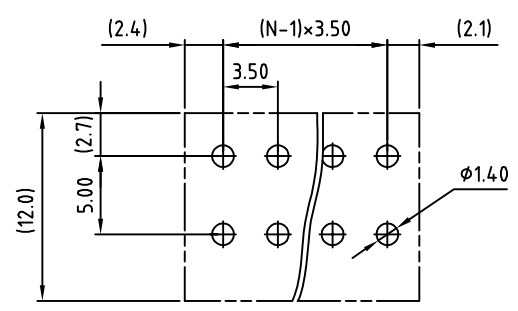
N=Number of poles

**Part Number**

OSTHXXX2281

- |              |                    |
|--------------|--------------------|
| 01: 01 Poles | 0: Black           |
| 02: 02 Poles | 2: Red             |
| ... ..       | 5: Green           |
| 24: 24 Poles | 8: Grey (Standard) |
|              | 9: White           |
|              | C: Multiple colors |

THESE DRAWINGS AND SPECIFICATIONS ARE THE PROPERTY OF ON-SHORE TECHNOLOGY, INC. AND SHALL NOT BE REPRODUCED, COPIED OR USED IN ANY MANNER WITHOUT THE PRIOR WRITTEN CONSENT OF ON-SHORE TECHNOLOGY, INC.



P.C.B LAYOUT



TITLE		OSTHX 3.5 Series 180° double contact (Wire inlet)			
PART NO.	OSTHXXX2281	DWG NO.	OSTHXXX2281.DWG		
APPROVED	CHECKED	DESIGNED	DRAWN	CUST NO.	Tolerance
		kind 2008.7.22	kind 2008.7.22		X. ±0.50
					X.X ±0.30
					X.XX ±0.10
					X° ±1°
				SHEET: 01/01	UNIT: mm
					SCALE: NONE
					REV: B