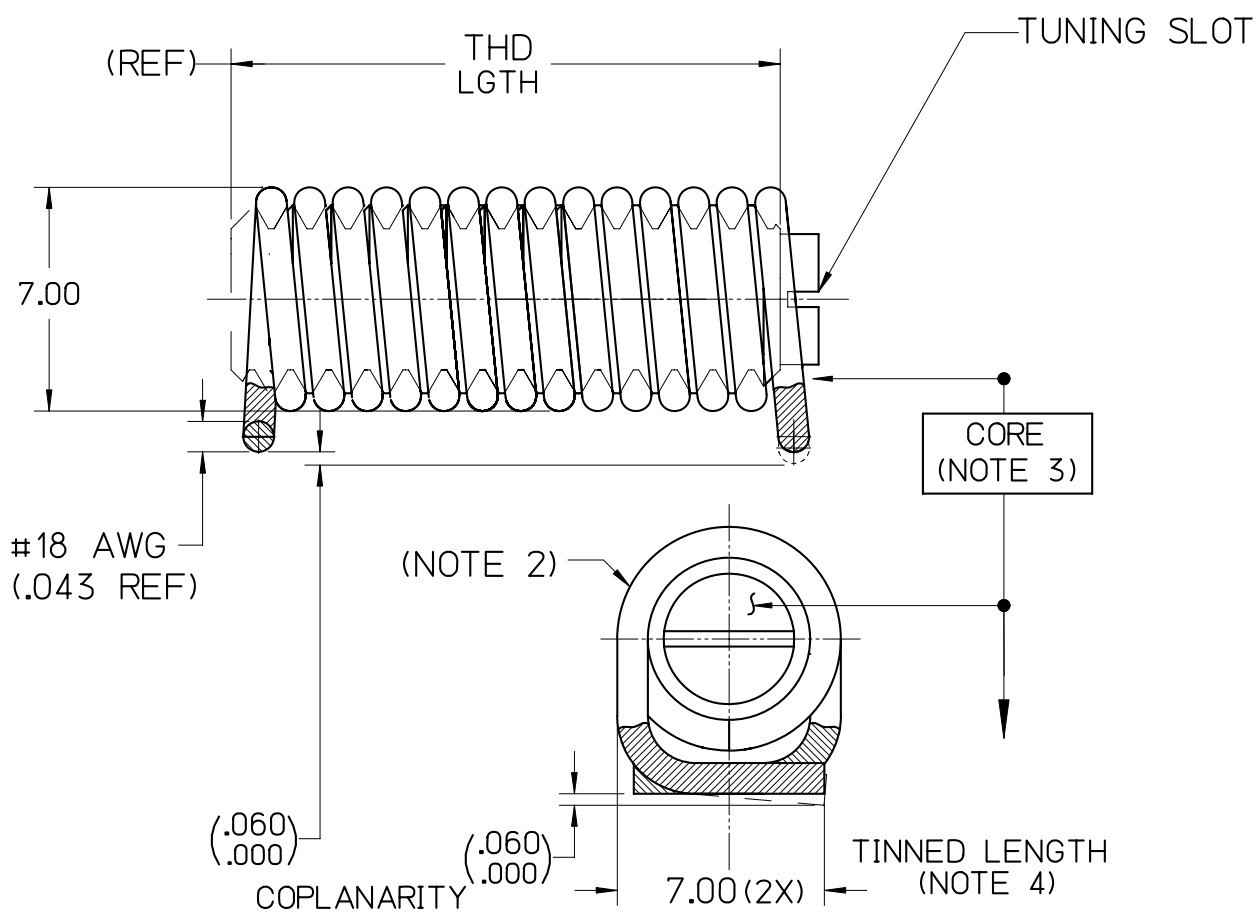


**VTC19E375TRSM**  
**VARIABLE INDUCTOR COIL**  
**(NONMAGNETIC)**  
*U.S. PATENT No. 8,248,198*

FILE: AIROUT



- NOTES:
1. a. DIMENSIONS: mm  
 b. DIMENSIONS: (inches) FOR REFERENCE ONLY
  2. COIL :  
 a. MATERIAL: COPPER ALLOY (COATED)  
 b. COATING ABLE TO WITHSTAND 275°C FOR 100 HOURS AS PER NEMA "CLASS 200". (REF ASTM D2307)
  3. CORE :  
 a. MATERIAL: PTFE / COPPER ALLOY  
 b. SELF-RESONANT FREQUENCY (SRF) IS MEASURED WITH THE CORE) FULLY ENGAGED AS DEPICTED  
 c. L MIN MEASURED WITH CORE ENGAGING FULL WINDINGS. L MAX MEASURED WITH CORE ENGAGING A SINGLE TURN.
  4. TINNING :  
 a. MATERIAL: RoHS COMPLIANT "SAC" ALLOY'

KNOWLES P/N	L (nH)				Q (@ 100 MHz)	SRF (GHz)	TURNS	THD LGTH (mm)
	MIN	NOM	MAX	NO CORE				
VTC19E375TRSM	281	345	436	457	171	3.10	19	25

READINGS TAKEN ON AGILENT/8358-A METER.



**Knowles Cazenovia**  
 2777 Route 20 East  
 Cazenovia, NY 13035

LEVEL	DATE	DRN.	CHK.	APP.	ECN
A	11/10/17	MAI	-	-	001457
REVISIONS					
DRN.	CHK.	APP.	SCALE		
MAI	MAI	MAI	NONE		
DATE	DATE	DATE	.XX ± .762		
11/10/17	11/10/17	11/10/17	.XXX ± .254		