

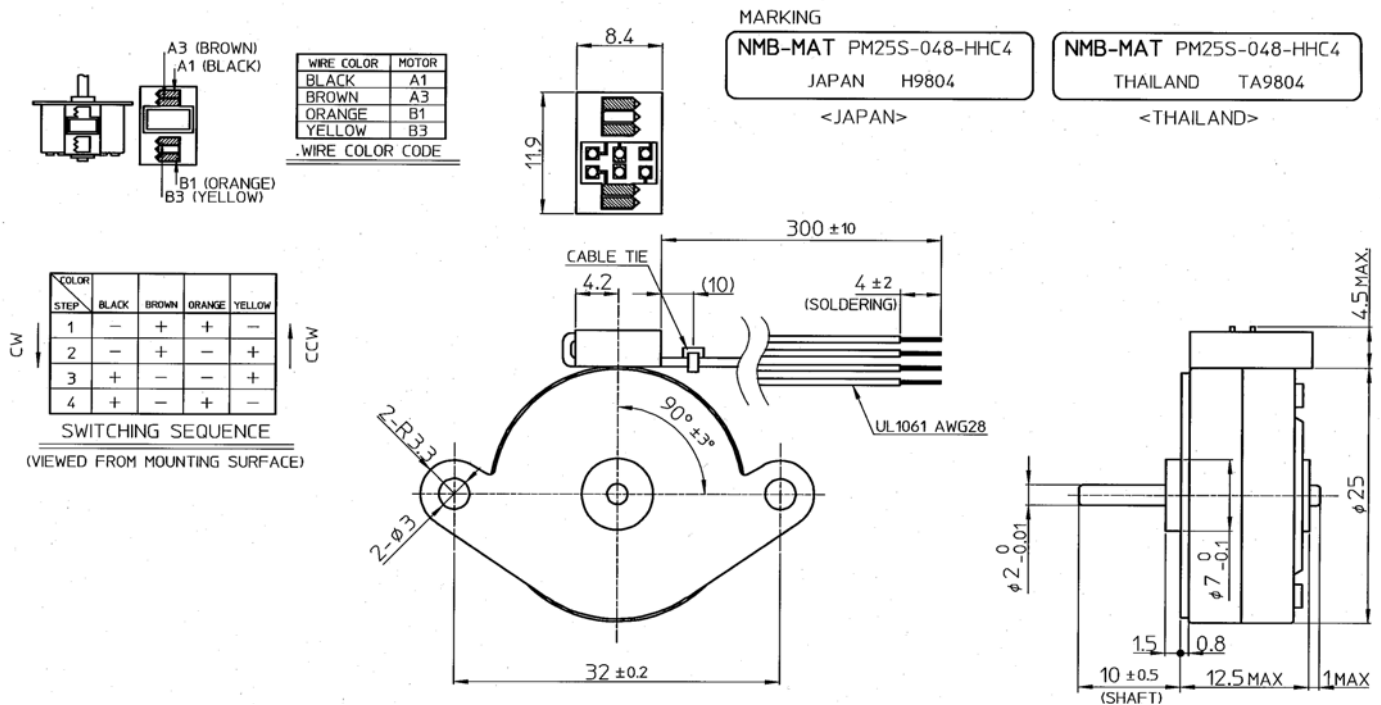
## Standard PM Step Motors

# PM25S-048-HHC4

Step Angle: 7.5°

### Model Specifications

Model:	PM25S-048-HHC4
Shaft Length:	10mm
Wire Length:	300mm fly lead (no connector)
Wire Holder:	90 deg. Right
Front Plate:	FPH
Electrical:	24V, 600mA
	Bipolar Constant Current
	16 ohms, MS70A





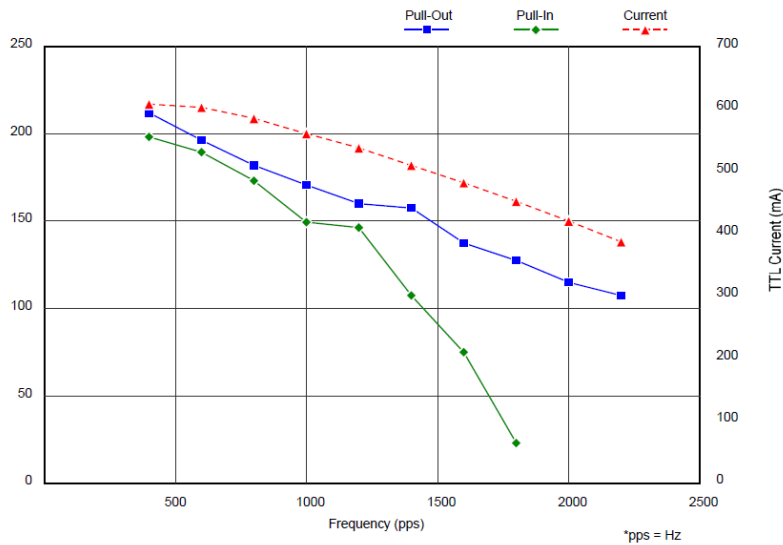
# Standard PM Step Motors

## PM25S-048-HHC4

### DYNAMIC TORQUE CHARACTERISTICS (No. 62792)

(ALL VALUES ARE GAINED BY MEASUREMENT AND NOT SPECIFICATIONS VALUES)

Model : PM25S-048-HHC4  
 Drive Mode : BIPOLAR CHOPPER  
 Drive Voltage : 24.0 V  
 Method : 2-2P  
 Drive IC : UDN2917EB  
 Surge/Current : / 600 mA / Phase (Peak)  
 Coil Resistance : 16.0 Ω  
 Magnet Material : MS70A  
 Stator Material : SUY/SPC(Ni)



(TTL Current = Over all current drawn by the driver)

Frequency (pps)	400	600	800	1000	1200	1400	1600	1800	2000	2200
■ Pull-Out (x10 <sup>-4</sup> Nm)	211.8	196.1	181.4	170.6	159.9	156.9	137.3	127.5	114.7	106.9
◆ Pull-In (x10 <sup>-4</sup> Nm)	198.1	189.3	172.6	149.1	146.1	106.9	74.5	22.6		
▲ Current (mA)	607	602	584	560	537	509	480	450	419	386

Minebea Motor Manufacturing Corporation