



DIM10-250-11

Wireless Lighting Controller

Antenna Required
(Not Included)



Specification Data	
Job Name	
Type	
Catalog #	
Comments	

Product Overview

The **DIM10-250-11** is a California Title 24 compliant lighting controller that provides real-time light monitoring and control with utility-grade power monitoring. It includes a 24V sensor input and power supply to connect up to two (2) sensors into the SimplySNAP wireless lighting solution.

Features

- Utility Grade Power Monitoring
- Up to 80% Savings through smart dimming
- True On/Off functionality via switched relay
- Self-healing SNAP Mesh Networking
- Seamlessly integrates with SimplySNAP
- Relay closes on power loss
- Supports a wide range of LED drivers and fixtures
- Class 1 / Class 2 0-10V Dimming Control
- Direct Connect up to two (2) 24V Occupancy Sensors and Photocells (consult sales for list)
- Secure, over-the-air upgrades to support future enhancements
- Excellent RF Range
- Available in a metal cased version with quick connect terminal blocks
- Lights default to on for safety

Power Monitoring and Off-the-Shelf Sensor Integration

Order #	Description
DIM10-250-11	Wireless Lighting Controller with Power Monitoring and Sensor Inputs

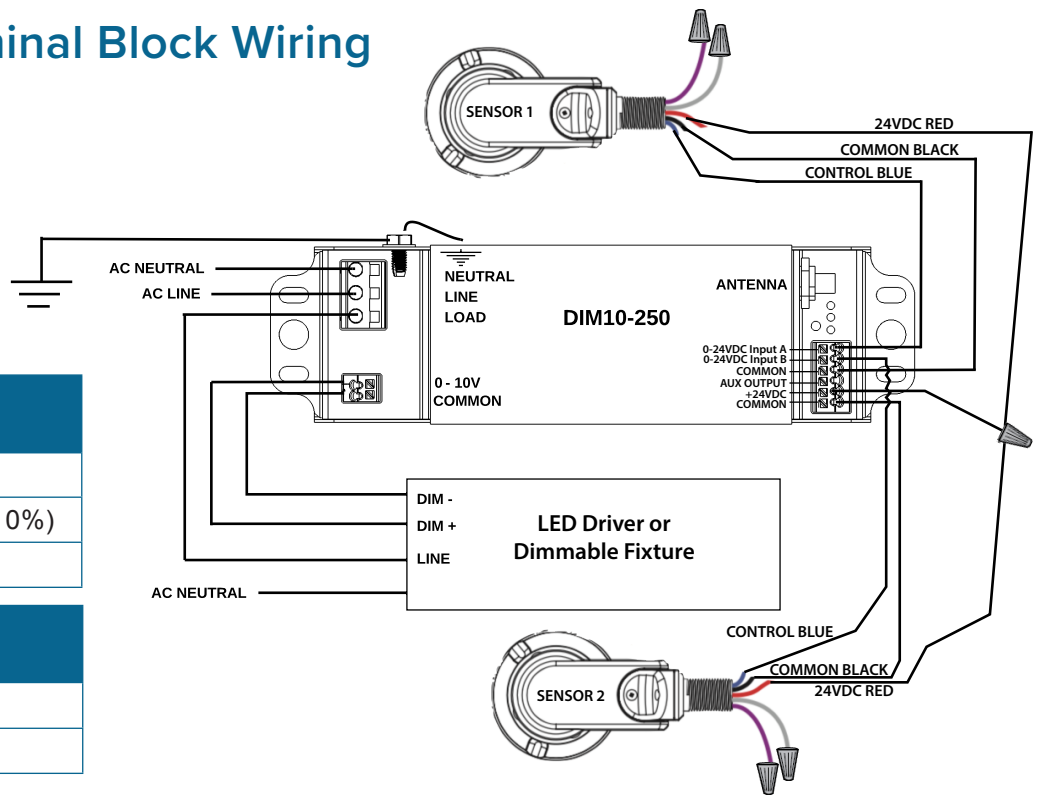
Dimensions	8.2" L x 2.3" W x 1.3" H (209mm x 59mm x 33mm)
Input Power*	100 to 277 VAC +/- 10% (Max 305V) 47/64 Hz
Operating Environment	-40°C to +70°C
Switched Output	Default ON; Zero Crossing Switching
Load Rating*	5A @ 100V to 277V (+/- 10%)
Dimming Control	0-10V
Dimming Output	Class 1/2 - 20mA Source Max / 50mA Sink Max
Radio	SNAP 2.4GHz ; 802.15.4 +20 dBm Transmit Power -103 dBm Receive Sensitivity
Power Monitoring	Utility Grade - 2% Accuracy
Power Readings	Voltage, Watts
Sensor Input	0 - 10V (photocell sensors) 0 - 24V (all other sensors)
Sensor Power Supply	24VDC @ 50mA
Certifications	c(UL)us, FCC, IC, CE
Warranty	5 Years



To learn more, call or visit:
synapsewireless.com
(877) 982-7888

*Single phase power supported
Note: 208V dual phase power is also supported, however the controller only switches one leg of this circuit. Please verify with an installer that this will not impact the design at the system level.

DIM10-250-11 Terminal Block Wiring



Class 1 Terminal Block (accepts 12-28 AWG wires)

Neutral	AC Return
Line*	100-277 VAC (+/- 10%)
Load	Switched AC Load

Class 1/2 Terminal Block (accepts 18-20 AWG wires)

0-10V	Dim+
Common	Dim-

LED Indicators	Power LED: Power On
	Status LED: Relay Status - On/Off

Class 2 Terminal Block (accepts 18-20 AWG wires)

0-24VDC Input A	Sensor Input
0-24VDC Input B	Sensor Input
Common	Sensor DC Return
Aux Output	Do not connect
+24VDC	Sensor Power Supply
Common	Sensor Power Supply Return

*Single phase power supported
Note: 208V dual phase power is also supported, however the controller only switches one leg of this circuit. Please verify with an installer that this will not impact the design at the system level.

Fixture Antenna Kits

Part #	Description
KIT-ANT18-01	Outdoor, Right Angle Antenna, 18" Cable with 14mm Bulkhead with O-ring
KIT-ANT18-02	Outdoor, Straight Antenna, 18" Cable with 14mm Bulkhead with O-ring
KIT-ANT18-03	Outdoor, Straight Stubby Antenna, 18" Cable with 14mm Bulkhead with O-ring
KIT-ANT18-04	Outdoor, Right Angle Stubby Antenna, 18" Cable with 14mm Bulkhead with O-ring
KIT-ANT18-13-2.0	Indoor, Articulating Antenna, 2.4GHz, 2.0dBi Gain, 4"
KIT-ANT18-13-3.2	Indoor, Articulating Antenna, 2.4GHz, 3.2dBi Gain, 5"