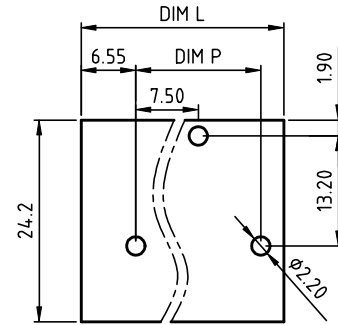
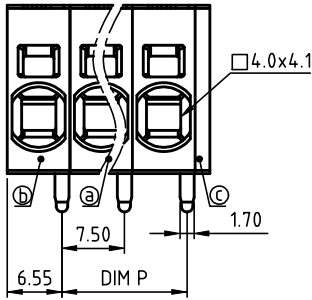




PRODUCT NUMBER	PITCH
NKxxA1x100J0G	7.50mm

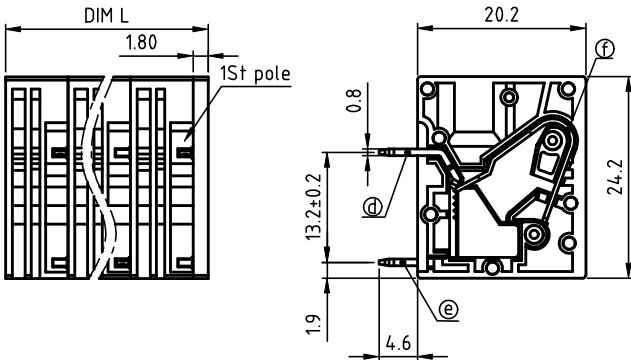


RECOMMENDED P.C.B LAYOUT TOP VIEW

Material:

- Item① Terminal body: Thermoplastic (UL94V-0)
- Item② Terminal side body: Thermoplastic (UL94V-0)
- Item③ Terminal cover: Thermoplastic (UL94V-0)
- Item④ Solder pin1: Copper, Tin Plated.
- Item⑤ Solder pin2: Copper, Tin Plated.
- Item⑥ Spring clamp: Stainless steel

- Electrical:
- | | | | |
|--------------------------|-----------------|----------------|--------------|
| | cULus | Use group(B,C) | Use group(D) |
| ● Voltage rating: | 300V | | 600V |
| ● Current rating(Sol): | 30A | | 5A |
| ● Current rating(Str): | 35 A | | 5A |
| ● Solid wire(AWG): | 10-24 | | |
| ● Stranded wire(AWG): | 8-24 | | |
| ● Wire strip length: | 15-16 mm | | |
| ● Withstanding Voltage: | 1.6KV | | |
| ● Operating temperature: | -40°C to +115°C | | |
| ● Soldering temperature: | 260°C±5°C/5 Sec | | |
| ● Safety Approval: | UL | | |



N=Number of poles
 Dim L=N×7.5+1.8
 Dim P=(N-1)×7.5

POLES	Dim L	Dim P
3p/5p	±0.15	±0.15
7p/9p/11p	±0.25	±0.25
13p/15p	±0.35	±0.35

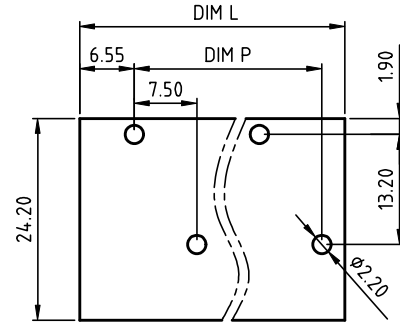
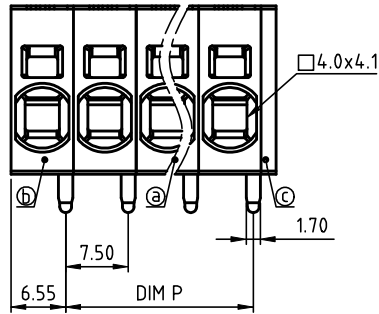
PART NO.: NK xx A1 x 100J0 G

No. of poles	0	Black (RAL9005)	RoHS compliant (lead<4%)
End Stackable	2	Red (RAL3001/D)	In copper Alloy
03 3 poles	3	Orange(RAL2011/P)	
05 5 poles	4	Yellow(RAL1018/A)	
... ..	5	Green(RAL6018/T)	
15 15 poles	6	Blue (RAL5015/A)	
	8	Grey(RAL7004/P)	
	9	White(RAL1102)	
	C	Multiple colors	

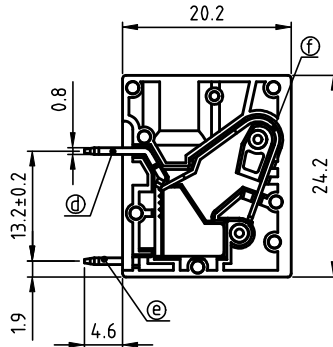
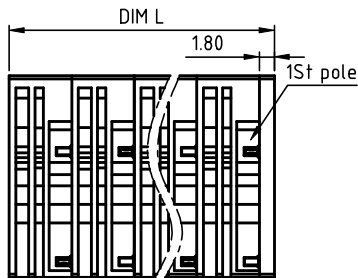
mat'l. code		surface ASME Y14.5		tolerance ASME Y14.5		projection		product family	
ltr		ecn no	dr	date		MM		TERMINAL BLOCK	
						X.±0.5		TERMINAL BLOCK	
						X.X±0.3		SPRING CLAMP,180D WIRE INLET,INTERLACE TAIL B TYPE ODD POLES	
						X.X±0.1		scale	
						FCI		sheet 1 of 2 size	
								NKxxA1x100J0G A4	
								type CUSTOMER Drawing	
sheet index		revision sheet		A 1					



PRODUCT NUMBER	PITCH
NKxxA1x100J0G	7.50mm



RECOMMENDED P.C.B LAYOUT
TOP VIEW



Material:

- Item② Terminal body: Thermoplastic (UL94V-0)
- Item① Terminal side body: Thermoplastic (UL94V-0)
- Item③ Terminal cover: Thermoplastic (UL94V-0)
- Item④ Solder pin1: Copper, Tin Plated.
- Item⑤ Solder pin2: Copper, Tin Plated.
- Item⑥ Spring clamp: Stainless steel

Electrical:

- | | | | |
|--------------------------|-----------------|----------------|--------------|
| | cULus | Use group(B,C) | Use group(D) |
| ● Voltage rating: | 300 V | | 600V |
| ● Current rating(Sol): | 30 A | | 5A |
| ● Current rating(Str): | 35 A | | 5A |
| ● Solid wire(AWG): | 10-24 | | |
| ● Stranded wire(AWG): | 8-24 | | |
| ● Wire strip length: | 15-16 mm | | |
| ● Withstanding Voltage: | 1.6KV | | |
| ● Operating temperature: | -40°C to +115°C | | |
| ● Soldering temperature: | 260°C±5°C/5 Sec | | |
| ● Safety Approval: | | | |

PART NO.: NK xx A1 x 100J0 G

N=Number of poles
Dim L=N×7.5+1.8
Dim P=(N-1)×7.5

POLES	Dim L	Dim P
2p/4p/6p	±0.15	±0.15
8p/10p/12p	±0.25	±0.25
14p/16p	±0.35	±0.35

No. of poles	0	Black (RAL9005)	RoHS compliant
End Stackable	2	Red (RAL3001/D)	(lead<4%) In copper Alloy
02 2 poles	3	Orange(RAL2011/P)	
04 4 poles	4	Yellow(RAL1018/A)	
... ..	5	Green(RAL6018/T)	
16 16 poles	6	Blue (RAL5015/A)	
	8	Grey(RAL7004/P)	
	9	White(RAL1102)	
	C	Multiple colors	

mat'l. code				surface ASME Y14.5		tolerance ASME Y14.5		projection		product family TERMINAL BLOCK	
ltr ecn no dr date				tolerances unless otherwise specified		X±0.5		MM		title TERMINAL BLOCK	
				angles		X.X±0.3		scale		SPRING CLAMP,180D WIRE INLET,INTERLACE TAIL B TYPE EVEN POLES	
				X'±1"		X.XX±0.1		FCI		dwg no NKxxA1x100J0G	
				dr		EVIN ZHONG		060514		sheet 2 of 2 size A4	
				enrg		EVIN ZHONG		060514		type CUSTOMER Drawing	
				chr		HANKE FENG		060514			
				appd		SHI JUN		060514			
sheet index		revision sheet		A 2							