

DC-B 6-SET-TB-M20-M-7X4-UT


Order No.: 1581023



<http://eshop.phoenixcontact.de/phoenix/treeViewClick.do?UID=1581023>

DUPLICON, aluminum T-box set with DUPLICON contact insert 6 x 4 mm² + PE with 2 screw connections per position, type B6, IP67 protection, 2 x M20 cable screw connection thread (without cable screw connection)

Commercial data

GTIN (EAN)	 4 046356 154772
Note	Made-to-order
sales group	D077
Pack	1 pcs.
Customs tariff	85369010
Catalog page information	Page 403 (PC-2009)

Product notes

WEEE/RoHS-compliant since:
08/29/2006



<http://www.download.phoenixcontact.com>
Please note that the data given here has been taken from the online catalog. For comprehensive information and data, please refer to the user documentation. The General Terms and Conditions of Use apply to Internet downloads.

Technical data

Electrical characteristics

Rated voltage (III/3)	400 V (L-PE)
	690 V (L-L)
Rated surge voltage	6 kV

Rated current	25 A (with 4 mm ² conductor cross section)
Maximum load current	32 A (L1/L2/L3)
Pollution degree	3

Material data

Contact material	Cu
Contact surface material	Ag
Contact carrier material	PA
Housing material	Aluminum, die-cast
Housing surface material	EMC-conductive
Seal material	NBR
Locking latch material	Stainless steel
Material grip body interlock	PA

General characteristics

Design	DC-B6
Degree of protection	IP65/IP66/IP67
Color	pearl gray
Height	122 mm
Insertion/withdrawal cycles	≥ 100
Ambient temperature (operation)	-40 °C ... 100 °C
Number of positions	6
Stripping length of the individual wire	10 mm
Conductor cross-section	0.2 mm ² ... 4 mm ² (6 mm ² without ferrule)
Connection cross-section AWG	24 ... 12
Tightening torque	0.5 Nm ... 0.6 Nm
Pg screw connection	None
Type of the screw connection	With M20 thread
Cable exit	Lateral

Certificates / Approvals



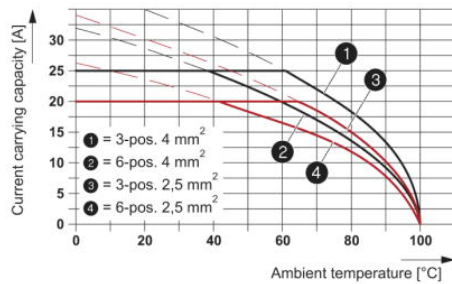
Certification CUL, UL

Accessories

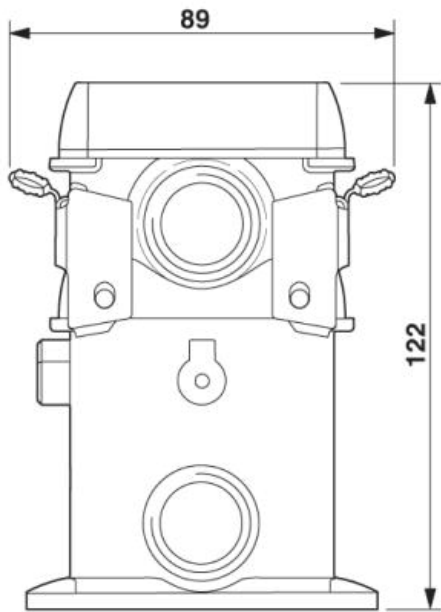
Item	Designation	Description
General		
1581078	DC-B 6-CT-P	DUPLICON snap-on dust protection cover made of ABS (can be painted over)
1645998	HC-M-KV-M20(11-16)	Metal screw connection up to 5 bar, thread length: 6 mm, cable diameter: 11 - 16 mm, WAF 27, screw connection: M20
1690561	HC-M-KV-M20(9-13)	Metal screw connection up to 5 bar, thread length: 6 mm, cable diameter: 9 - 13 mm, WAF 22, screw connection: M20

Diagrams/Drawings

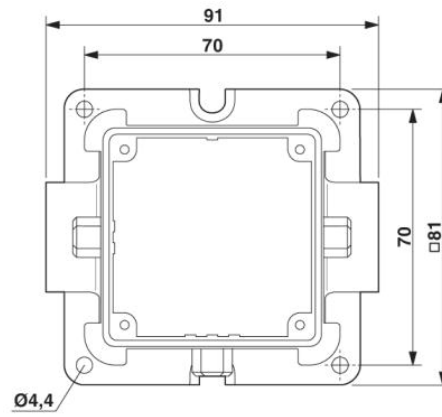
Diagram



Dimensioned drawing



Dimensional drawing



Dimensional drawing

Address

PHOENIX CONTACT Inc., USA
586 Fulling Mill Road
Middletown, PA 17057, USA
Phone (800) 888-7388
Fax (717) 944-1625
<http://www.phoenixcon.com>



© 2010 Phoenix Contact
Technical modifications reserved;