

**HDMI 2.0, DisplayPort 1.2 Video Switch**

**Features**

- 4-lane, 1:2 mux/demux that will support RBR, HBR1, or HBR2
- Data rate: 3.4 Gbps to 6.0 Gbps for high data channels
- Supports DDC with HPD channel mux/demux @ HDMI
- Supports 720 Mbps high-speed DP AUX @ DP
- -1.7 dB Insertion Loss for Dx channels @ 3.0 GHz
- -3 dB Bandwidth for Dx channels: 4.8 GHz
- Return loss for Dx channels @ 3.0 GHz: -16 dB
- Low Crosstalk for high speed channels: -25 dB@6.0 Gbps
- Low Off Isolation for high speed channels: -22dB@6.0 Gbps
- Low channel-to-channel skew, 35ps max
- Low Bit-to-Bit Skew, 5ps typ (between '+' and '-' bits)
- V<sub>DD</sub> Operating Range: 3.3V +/-10%
- ESD Tolerance: 2kV HBM
- Packaging (Pb-free & Green): 42 TQFN (ZHE)

**Description**

The PI3WVR12412 is a multi-standard video switch with wide voltage range capability. It supports HDMI 2.0, DisplayPort 1.2, and emerging and proprietary standard.

PI3WVR12412 can pass high-speed signals up to 1.2 V peak-to-peak differential with a common-mode voltage from 0 to 3.4V for TMDS signal.

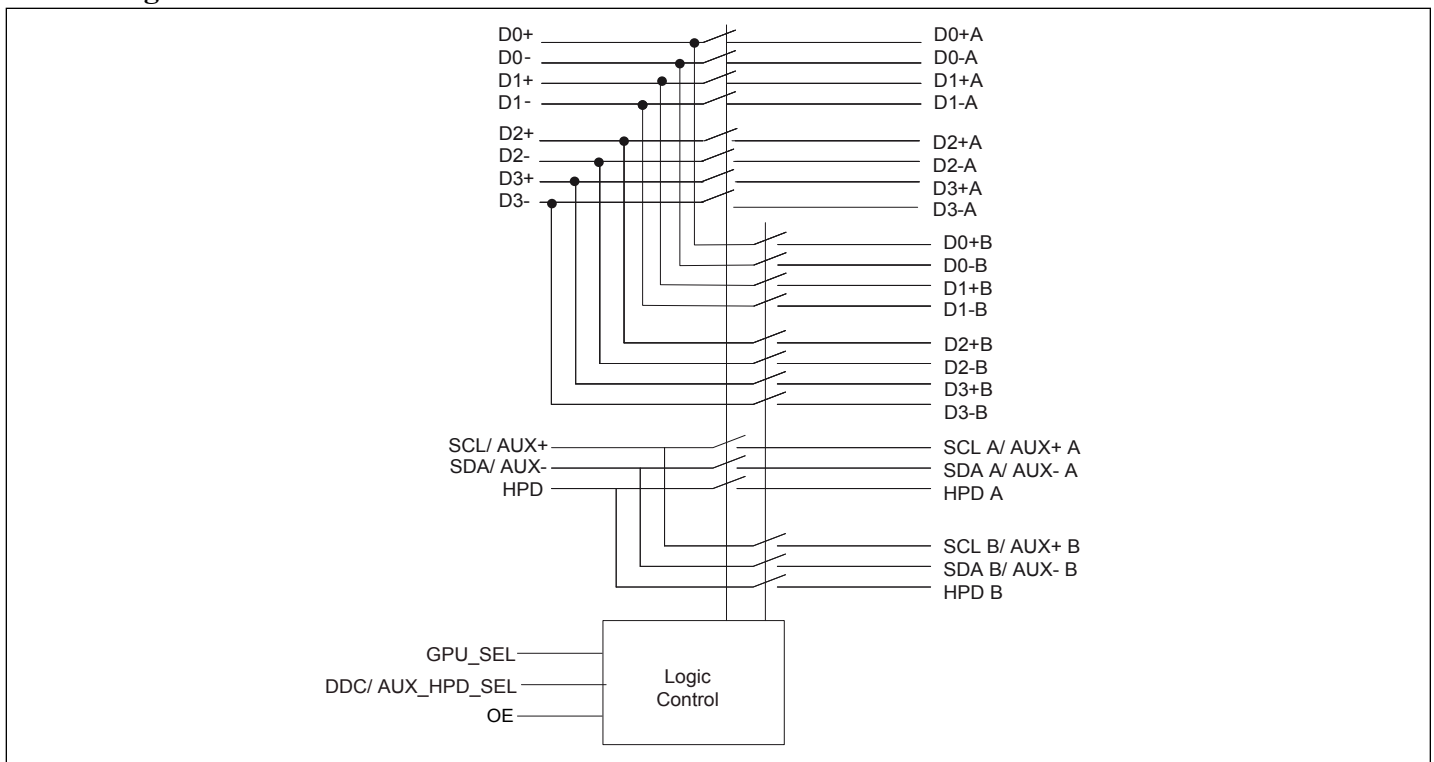
The wide voltage range allow DC-coupled multi-standard operation. Eliminating AC coupling capacitors saves board space and improves signal integrity for dense PCB design. The high speed channels can also pass 0V-3.3V CMOS signals up to 1MHz.

In addition to four high-speed lanes, PI3WVR12412 also switches the DDC and HPD signals or AUX and HPD signals using the DDC/ AUX and HPD channel mux/demux.

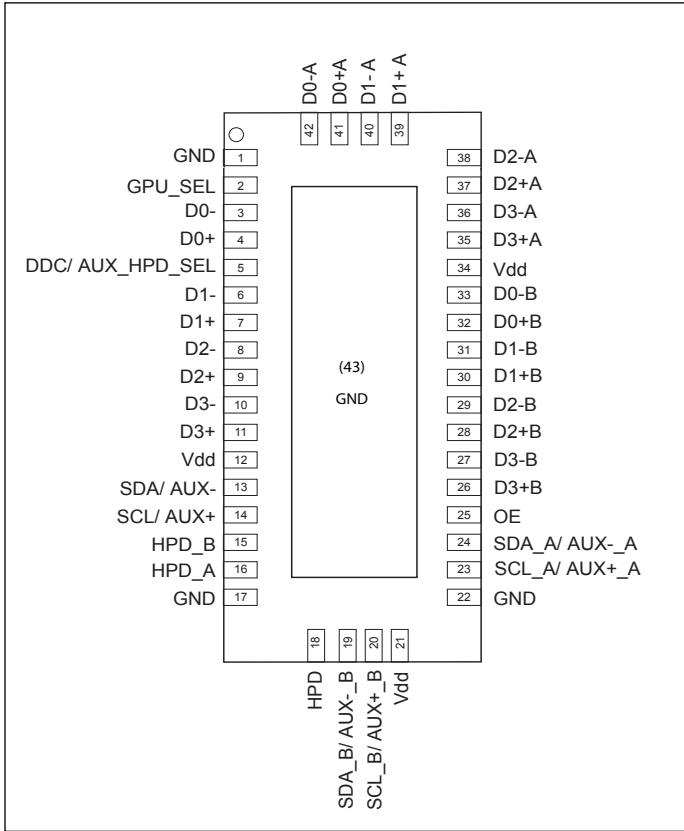
**Application**

- Routing of HDMI 2.0 video signals with low signal attenuation between source and sink for 4K2K ultra high definition video display and broadcast video equipment.
- Routing of DisplayPort video signals with low signal attenuation between source and sink for PC and monitor.

**Block Diagram**



**Pin Assignment (TQFN-42, ZHE)**



**Truth Table**

Control			Switch Function		
OE	GPU_SEL	DDC/ AUX_HPDP_SEL	D0-D3	DDC/ AUX	HPD
High	Low	Low	A	DDC A/ AUX A	HPD A
High	Low	High	A	DDC B/ AUX B	HPD B
High	High	Low	B	DDC A/AUX A	HPD A
High	High	High	B	DDC B/ AUX B	HPD B
Low	x	x	Hi-Z	Hi-Z	Hi-Z

### Pin Description

pin#	pin Name	Signal Type	Description
1	GND	Ground	Ground
2	GPU_SEL	I	switch logic control
3	D0-	I/O	negative differential signal 0 for COM port
4	D0+	I/O	positive differential signal 0 for COM port
5	DDC/ AUX_HPDP_SEL	I	Switch logic control for DDC/ AUX and HPD
6	D1-	I/O	negative differential signal 1 for COM port
7	D1+	I/O	positive differential signal 1 for COM port
8	D2-	I/O	negative differential signal 2 for COM port
9	D2+	I/O	positive differential signal 2 for COM port
10	D3-	I/O	negative differential signal 3 for COM port
11	D3+	I/O	positive differential signal 3 for COM port
12	VDD	Power	3.3V +/-10% power supply
13	SDA/ AUX-	I/O	SDA signal for DDC COM port, or negative differential signal for AUX COM port
14	SCL/ AUX+	I/O	SCL signal for DDC COM port, or positive differential signal for AUX COM port
15	HPD_B	I/O	HPD for port B
16	HPD_A	I/O	HPD for port A
17	GND	Ground	Ground
18	HPD	I/O	HPD for COM port
19	SDA_B/ AUX-_B	I/O	SDA signal for DDC, port B, or negative differential signal for AUX COM port
20	SCL_B/ AUX+_B	I/O	SCL signal for DDC, port B, or positive differential signal for AUX COM port
21	VDD	Power	3.3V +/-10% power supply
22	GND	Ground	Ground
23	SCL_A/ AUX+_A	I/O	SCL signal for DDC, port A, or positive differential signal for AUX COM port
24	SDA_A/ AUX-_A	I/O	SDA signal for DDC, port A, or negative differential signal for AUX COM port
25	OE	I	output enable. if OE is high, IC is enabled. if OE is low, IC is power down and all I/Os are Hi-Z
26	D3+B	I/O	positive differential signal 3 for portB
27	D3-B	I/O	negative differential signal 3 for portB
28	D2+B	I/O	positive differential signal 2 for portB
29	D2-B	I/O	negative differential signal 2 for portB
30	D1+B	I/O	positive differential signal 1 for portB
31	D1-B	I/O	negative differential signal 1 for portB

**PI3WVR12412**

pin#	pin Name	Signal Type	Description
32	D0+B	I/O	positive differential signal 0 for portB
33	D0-B	I/O	negative differential signal 0 for portB
34	VDD	Power	3.3V +/-10% power supply
35	D3+A	I/O	positive differential signal 3 for port A
36	D3-A	I/O	negative differential signal 3 for port A
37	D2+A	I/O	positive differential signal 2 for port A
38	D2-A	I/O	negative differential signal 2 for port A
39	D1+A	I/O	positive differential signal 1 for port A
40	D1-A	I/O	negative differential signal 1 for port A
41	D0+A	I/O	positive differential signal 0 for port A
42	D0-A	I/O	negative differential signal 0 for port A
43	Center pad	Ground	Ground

## Maximum Ratings

(Above which useful life may be impaired. For user guidelines, not tested.)

Storage Temperature ..... -65°C to +150°C Supply Voltage to Ground Potential ..... -0.5V to +4.2V DC Input Voltage ..... -0.5V to V <sub>DD</sub> DC Output Current ..... 120mA Power Dissipation ..... 0.5W	<b>Note:</b> Stresses greater than those listed under MAXIMUM RATINGS may cause permanent damage to the device. This is a stress rating only and functional operation of the device at these or any other conditions above those indicated in the operational sections of this specification is not implied. Exposure to absolute maximum rating conditions for extended periods may affect reliability.
--	--

## DC Electrical Characteristics for Switching over Operating Range

(T<sub>A</sub> = -40°C to +105°C, V<sub>DD</sub> = 3.3V ±10%)

Parameter	Description	Test Conditions <sup>(1)</sup>	Min.	Typ. <sup>(2)</sup>	Max.	Units
V <sub>IH</sub>	Input HIGH Voltage (SEL & OE)	Guaranteed HIGH level	1.5			V
V <sub>IL</sub>	Input LOW Voltage (SEL & OE)	Guaranteed LOW level			0.75	
V <sub>IK</sub>	Clamp Diode Voltage (HS Channel)	V <sub>DD</sub> = Max., I <sub>IN</sub> = -18mA		-1.6V	-1.8	
V <sub>IK</sub>	Clamp Diode Voltage (DDC/ AUX, Cntrl )	V <sub>DD</sub> = Max., I <sub>IN</sub> = -18mA		-0.7	-1.5	
I <sub>IH</sub>	Input HIGH Current	V <sub>DD</sub> = Max., V <sub>IN</sub> = V <sub>DD</sub>			±5	µA
I <sub>IL</sub>	Input LOW Current	V <sub>DD</sub> = Max., V <sub>IN</sub> = GND			±5	
I <sub>OFF_SB</sub>	I/O leakage when part is off for side-band signals only (DDC/ AUX, HPD)	V <sub>DD</sub> = 0V, V <sub>INPUT</sub> = 0V to 3.6V			20	
R <sub>ON_HS</sub>	On resistance between input to output for high speed signals	V <sub>INPUT,cm</sub> = 0V to 3.4V, V <sub>INPUT,diff</sub> < 1.2V <sub>p-p,diff</sub> V <sub>DD</sub> = 3.0V, I <sub>INPUT</sub> = 20mA		11		Ohm
R <sub>ON_DDC/ AUX</sub>	On resistance between input to output for side-band signals (DDC/ AUX)	V <sub>DD</sub> = 3.0V, V <sub>input</sub> = 0 to 3.3V, I <sub>INPUT</sub> = 20mA		7		Ohm
R <sub>ON_HPD</sub>	On resistance between input to output for HPD channel	V <sub>DD</sub> = 3.0V, V <sub>input</sub> = 0 to 3.0V, I <sub>INPUT</sub> = 20mA		7		Ohm
V <sub>DDC/ AUX_SS</sub>	Signal Swing Tolerance in DDC/ AUX path	V <sub>DD</sub> = 3.0V	-0.5		5.5	V
V <sub>HPD_I</sub>	Input voltage on HPD path				5.5	V
V <sub>HPD_O</sub>	Output voltage tolerance on HPD path	HPD input from 3.3V to 5.25V		3.3	3.6	V

## Power Supply Characteristics

( $T_A = -40^\circ\text{C}$  to  $+105^\circ\text{C}$ )

Parameter	Description	Test Conditions <sup>(1)</sup>	Min.	Typ. <sup>(2)</sup>	Max.	Units
$I_{DD}$	Power Supply Current	$V_{DD} = 3.3\text{V}$ , $V_{IN} = \text{GND}$ or $V_{DD}$		1	3	mA
$I_{DD,Off}$	Power Supply Current, Disabled	$V_{DD} = 3.3\text{V}$ , $V_{IN} = \text{GND}$ or $V_{DD}$ , $V_{OE} < V_{IL}$		1	50	$\mu\text{A}$

**Note:**

1. For Max. or Min. conditions, use appropriate value specified under Electrical Characteristics for the applicable device type.
2. Typical values are at  $V_{DD} = 3.3\text{V}$ ,  $T_A = 25^\circ\text{C}$  ambient and maximum loading.

## Dynamic Electrical Characteristics over Operating Range

( $T_A = -40^\circ$  to  $+105^\circ\text{C}$ ,  $V_{DD} = 3.3\text{V} \pm 10\%$ )

Parameter	Description	Test Conditions <sup>(1)</sup>	Min.	Typ. <sup>(2)</sup>	Max.	Units	
$X_{TALK}$	Crosstalk on High Speed Channels	See Fig. 1 for Measurement Setup	f = 3.0 GHz		-25	-22	dB
			f = 2.7 GHz		-28	-25	
			f = 1.7 GHz		-31	-28	
			f = 1.35 GHz		-32	-28	
$O_{IRR}$	OFF Isolation on High Speed Channels	See Fig. 2 for Measurement Setup	f = 3.0 GHz		-22	-20	dB
			f = 2.7 GHz		-22	-20	
			f = 1.7 GHz		-29	-26	
			f = 1.35 GHz		-30	-27	
$I_{LOSS}$	Differential Insertion Loss on High Speed Channels	@3.0 GHz (see figure 3)	-2.0	-1.7		dB	
		@5.4 Gbps (see figure 3)	-2.0	-1.7			
$R_{loss}$	Differential Return Loss on high speed channels	@ 3.0 GHz (6.0Gbps)		-16.0	-14	dB	
		@ 2.7 GHz (5.4Gbps)		-14.0	-12.5		
$BW_{Dx\pm}$	Bandwidth -3dB for Main high speed path ( $Dx\pm$ )	See figure 3	3.7	4.8		GHz	
$BW_{DDC/AUX/HPD}$	-3dB BW for DDC/ AUX and HPD signals	See figure 3	1.35	1.5		GHz	

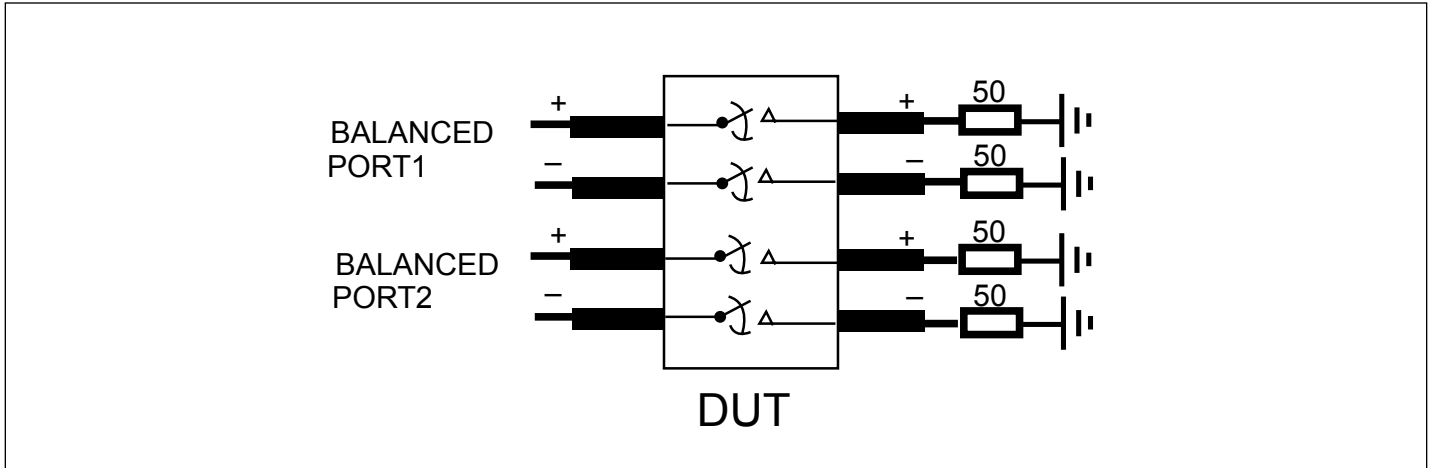
**Note:**

1. For Max. or Min. conditions, use appropriate value specified under Electrical Characteristics for the applicable device type.
2. Typical values are at  $V_{DD} = 3.3\text{V}$ ,  $T_A = 25^\circ\text{C}$  ambient and maximum loading.

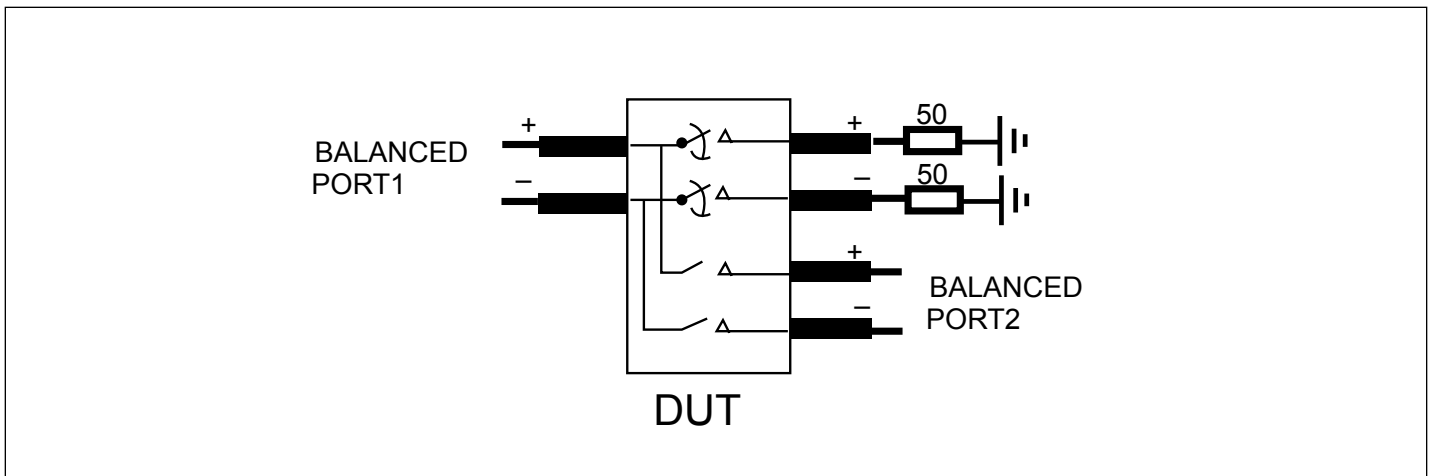
## Switching Characteristics

( $T_A = -40^\circ$  to  $+105^\circ\text{C}$ ,  $V_{DD} = 3.3\text{V} \pm 10\%$ )

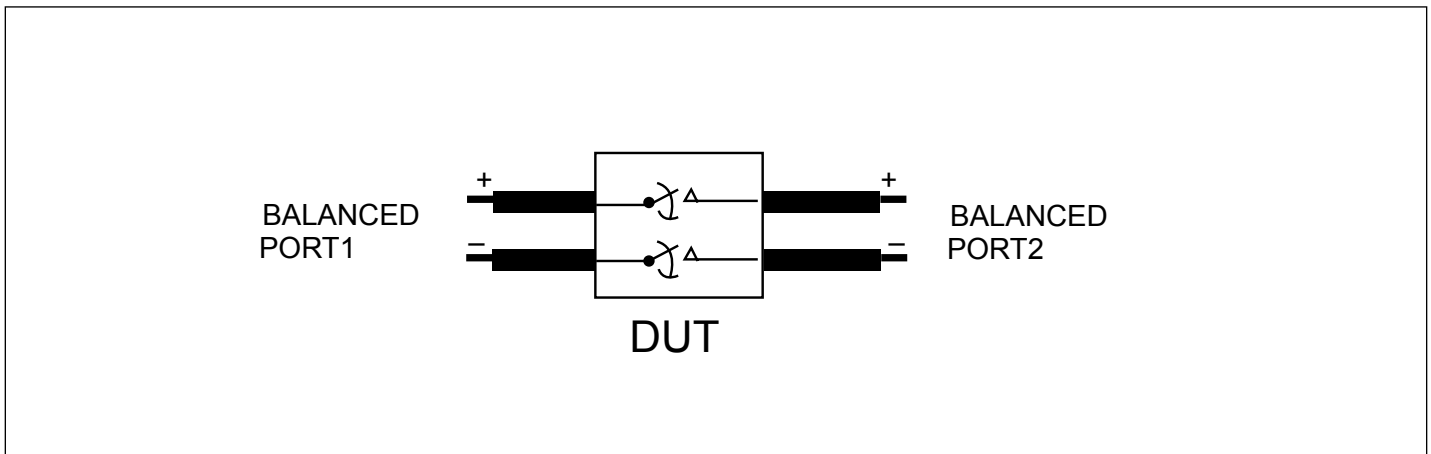
Parameter	Description	Min.	Typ.	Max.	Units
$T_{pd}$	Propagation delay (input pin to output pin) on all channels		80		ps
$t_{b-b}$	Bit-to-bit skew within the same differential pair of $Dx\pm$ channels		5	7	ps
$t_{ch-ch}$	Channel-to-channel skew of $Dx\pm$ channels			35	ps
$T_{sw\ a-b}$	time it takes to switch from port A to port B			0.1	us
$T_{sw\ b-a}$	time it takes to switch from port B to port A			0.1	us
$T_{startup}$	$V_{DD}$ valid to channel enable			10	us
$T_{wakeup}$	Enabling output by changing OE from low to High			10	us



**Fig 1. Crosstalk Setup**



**Fig 2. Off-isolation setup**

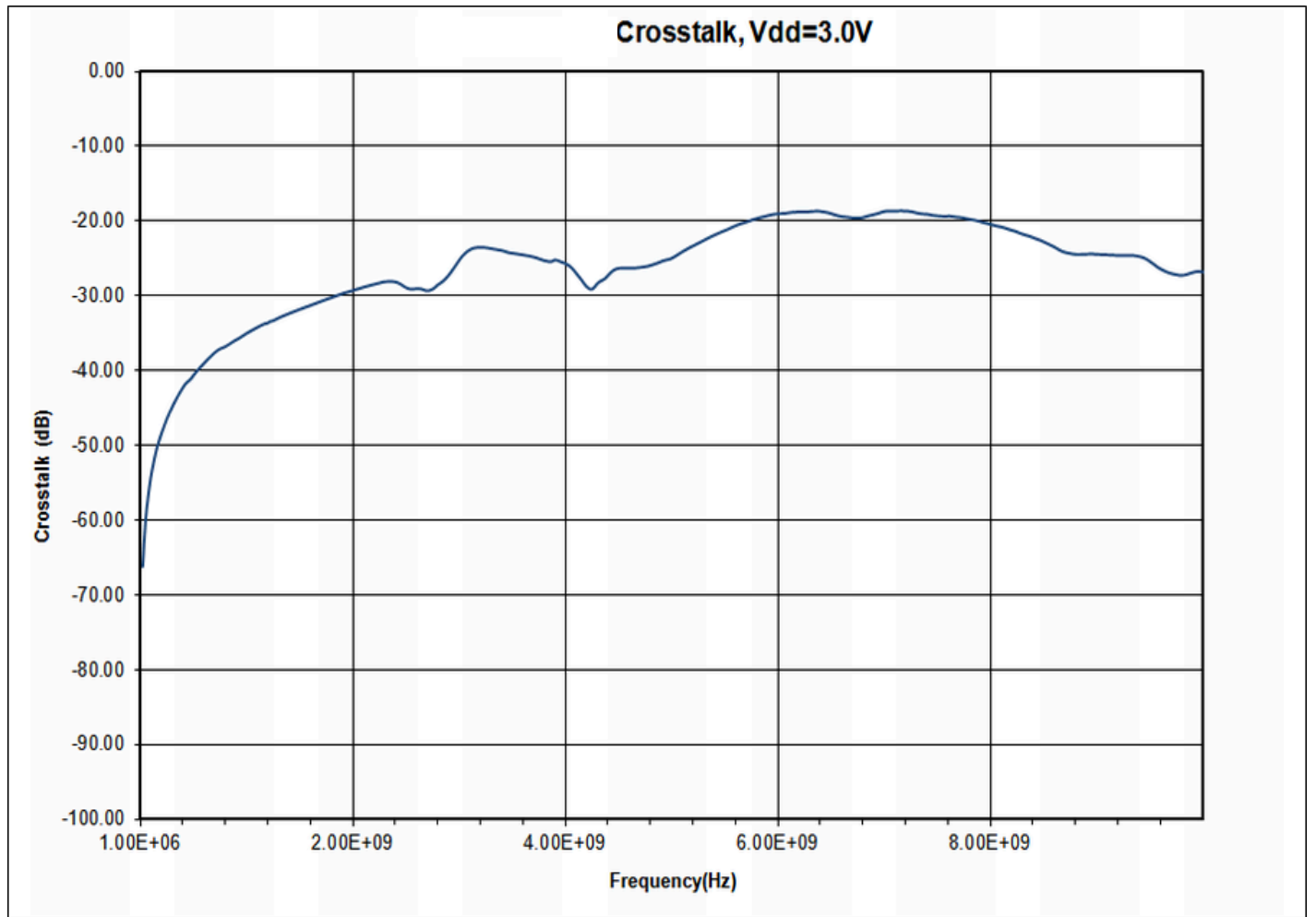
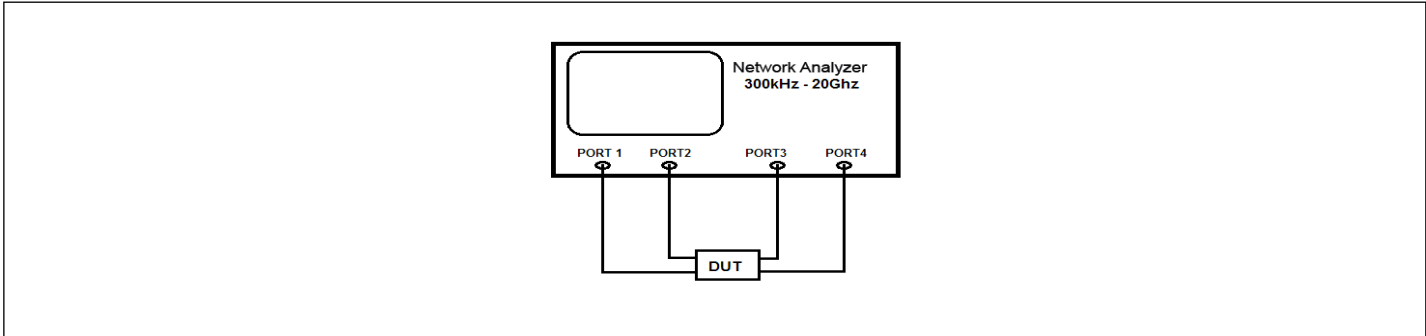


**Fig 3. Differential Insertion Loss**



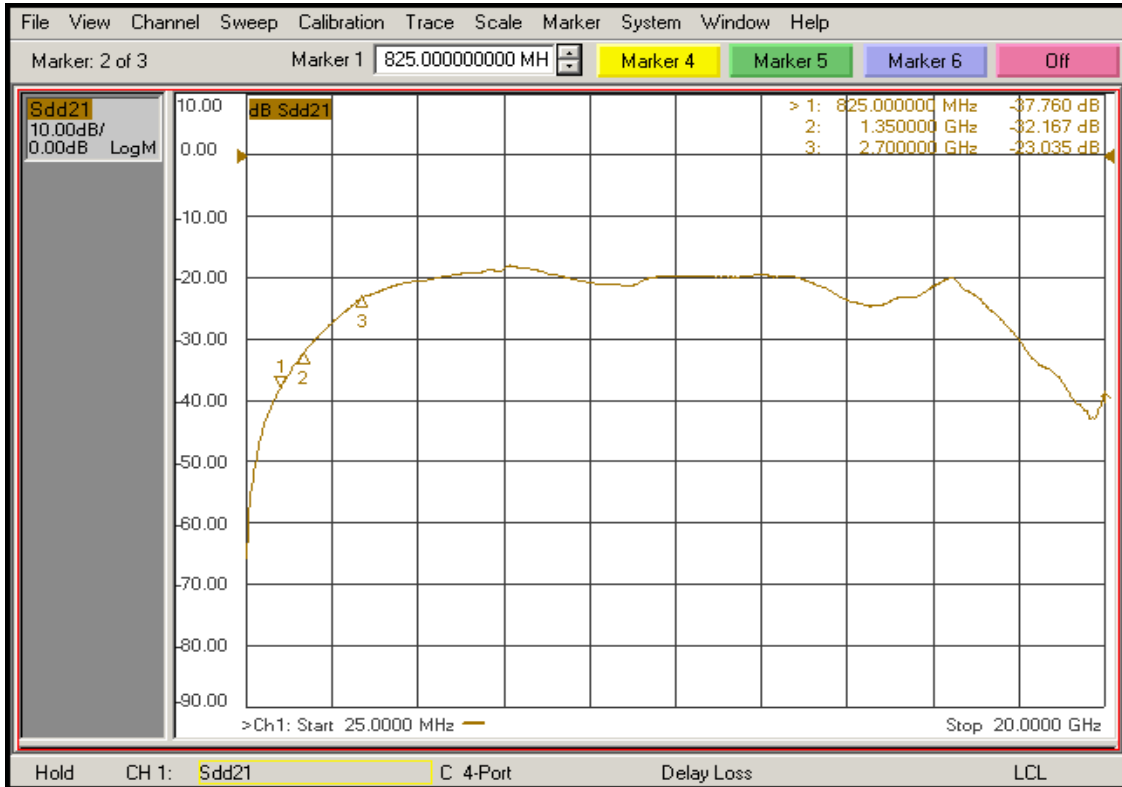
PI3WVR12412

**Test Circuit for Dynamic Electrical Characteristics**

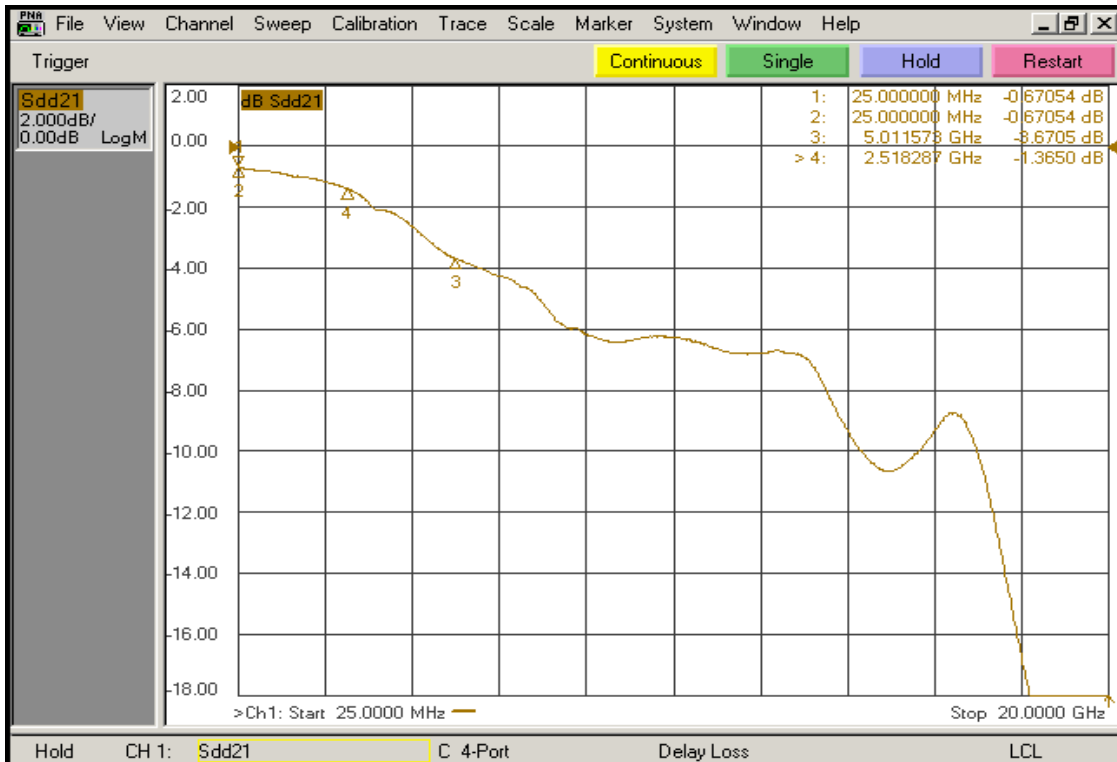


**Fig 4. Crosstalk**

**PI3WVR12412**

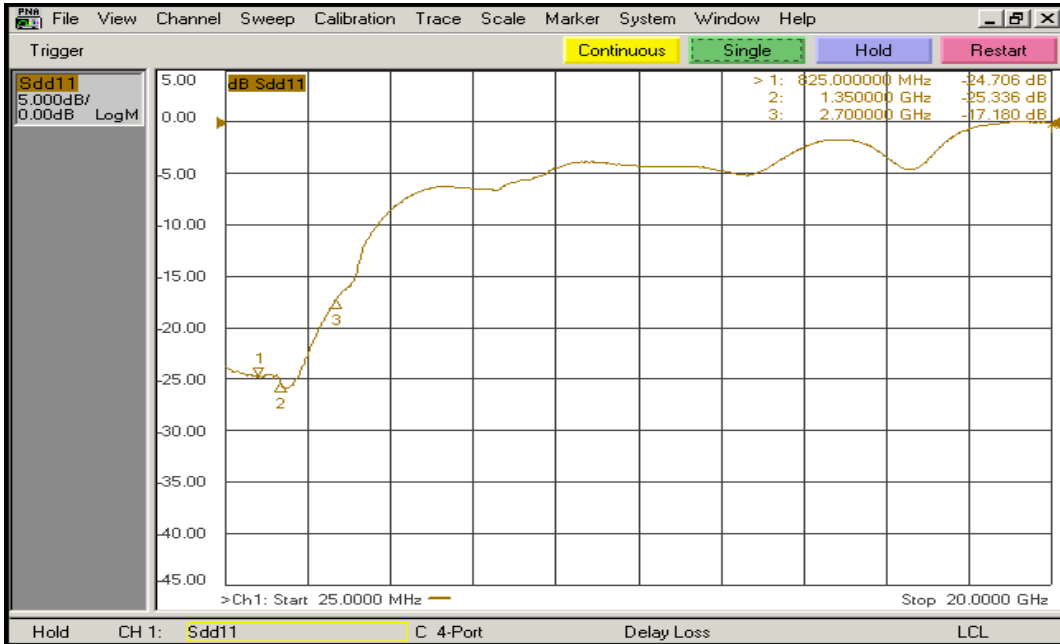


**Fig 5. Off Isolation**

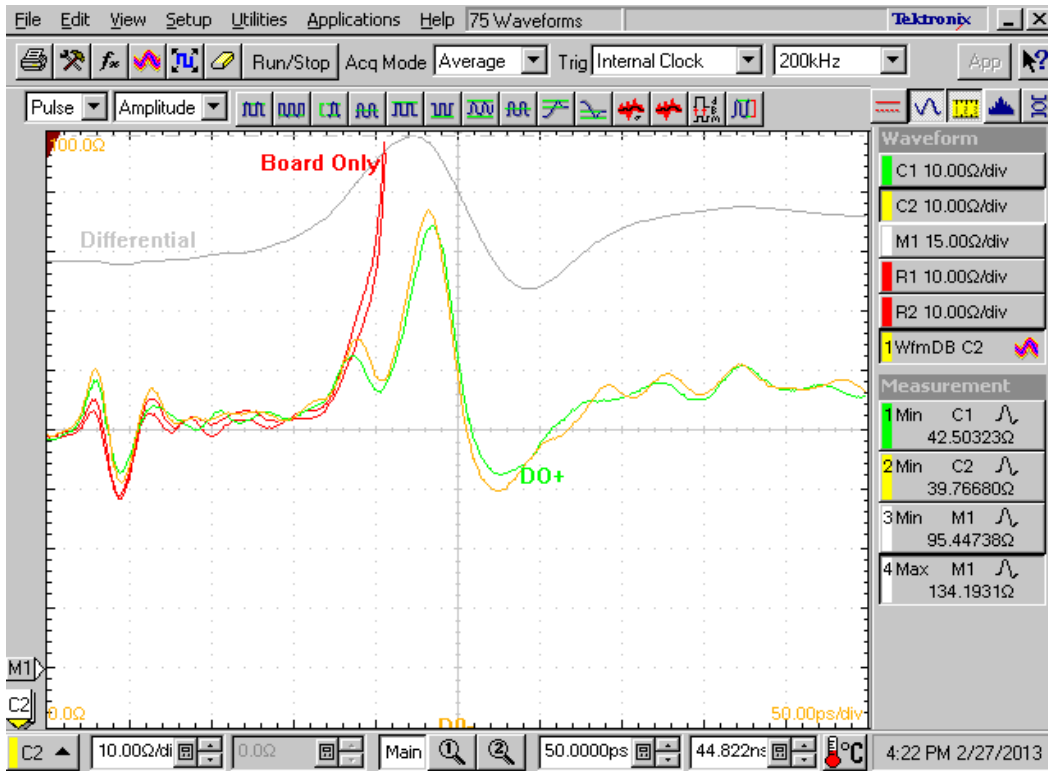


**Fig 6. Insertion Loss**

**PI3WVR12412**

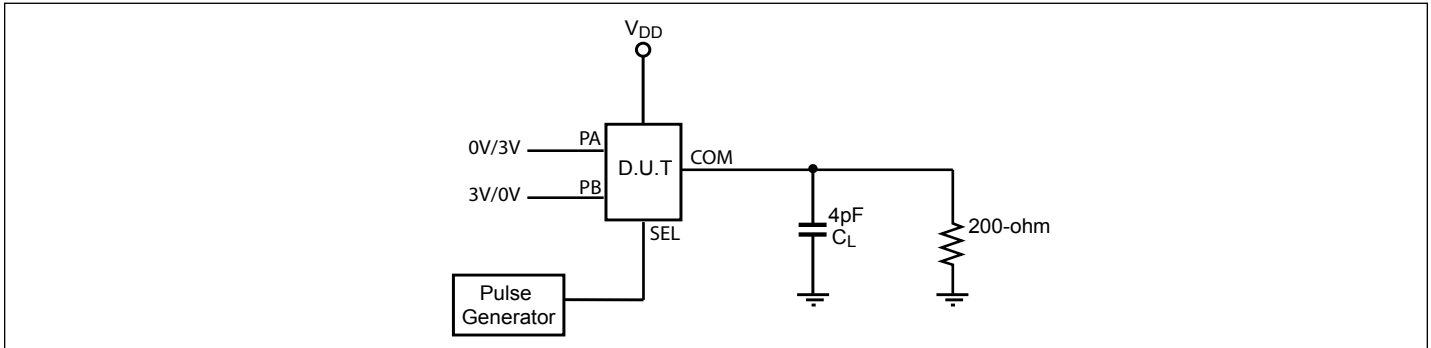


**Fig 7. Return Loss**



**Fig 8. TDR Channel D0, VDD=3.0V, 25C**

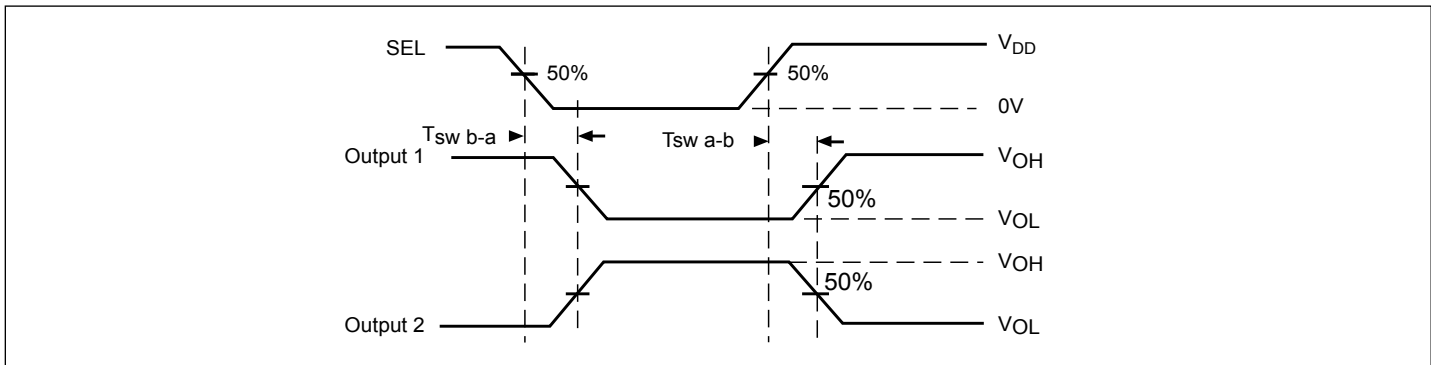
### Test Circuit for Electrical Characteristics(1-4)



**Notes:**

1.  $C_L$  = Load capacitance: includes jig and probe capacitance.
2.  $R_T$  = Termination resistance: should be equal to  $Z_{OUT}$  of the Pulse Generator
3. All input impulses are supplied by generators having the following characteristics:  $PRR \leq \text{MHz}$ ,  $Z_O = 50\Omega$ ,  $t_R \leq 2.5\text{ns}$ ,  $t_F \leq 2.5\text{ns}$ .
4. The outputs are measured one at a time with one transition per measurement.

### Switching Waveforms



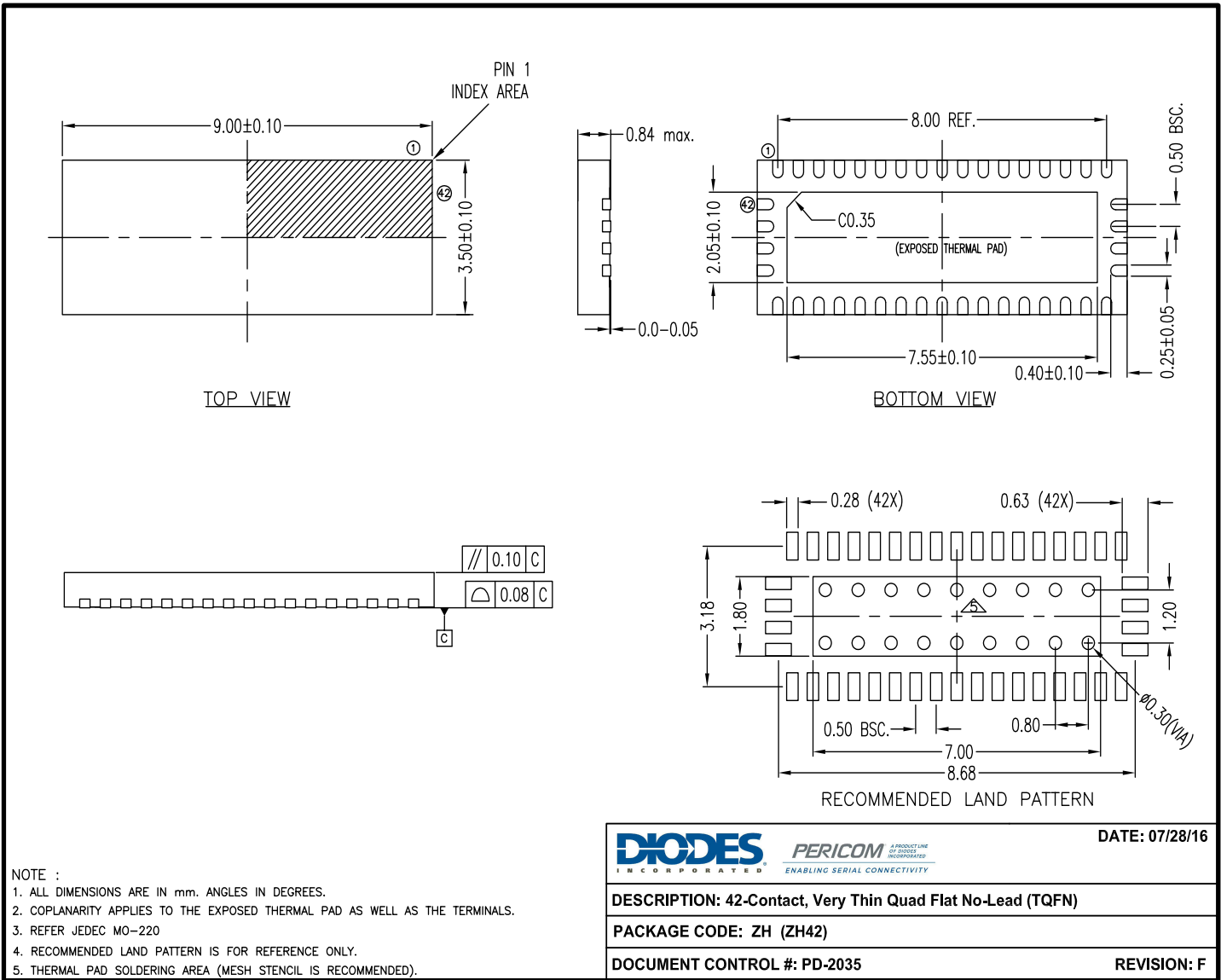
**Voltage Waveforms for Select Timing**

### Test Condition

Output 1 Test Condition	Output 2 Test Condition
PA = Low	PA = High
PB = High	PB = Low

**PI3WVR12412**

**Packaging Mechanical: 42ZH**



16-0161

Note: For latest package info, please check: <http://www.pericom.com/support/packaging/packaging-mechanicals-and-thermal-characteristics/>

**Ordering Information**

Ordering Code	Package Code	Package Description
PI3WVR12412ZHE	ZH	42-contact, Very Thin Quad Flat No-Lead (TQFN)
PI3WVR12412ZHEX	ZH	42-contact, Very Thin Quad Flat No-Lead (TQFN), Tape & Reel

**Notes:**

- Thermal characteristics can be found on the company web site at [www.pericom.com/packaging/](http://www.pericom.com/packaging/)
- "E" denotes Pb-free and Green
- Adding an "X" at the end of the ordering code denotes tape and reel packaging

**IMPORTANT NOTICE**

DIODES INCORPORATED MAKES NO WARRANTY OF ANY KIND, EXPRESS OR IMPLIED, WITH REGARDS TO THIS DOCUMENT, INCLUDING, BUT NOT LIMITED TO, THE IMPLIED WARRANTIES OF MERCHANTABILITY AND FITNESS FOR A PARTICULAR PURPOSE (AND THEIR EQUIVALENTS UNDER THE LAWS OF ANY JURISDICTION).

Diodes Incorporated and its subsidiaries reserve the right to make modifications, enhancements, improvements, corrections or other changes without further notice to this document and any product described herein. Diodes Incorporated does not assume any liability arising out of the application or use of this document or any product described herein; neither does Diodes Incorporated convey any license under its patent or trademark rights, nor the rights of others. Any Customer or user of this document or products described herein in such applications shall assume all risks of such use and will agree to hold Diodes Incorporated and all the companies whose products are represented on Diodes Incorporated website, harmless against all damages.

Diodes Incorporated does not warrant or accept any liability whatsoever in respect of any products purchased through unauthorized sales channel.

Should Customers purchase or use Diodes Incorporated products for any unintended or unauthorized application, Customers shall indemnify and hold Diodes Incorporated and its representatives harmless against all claims, damages, expenses, and attorney fees arising out of, directly or indirectly, any claim of personal injury or death associated with such unintended or unauthorized application.

Products described herein may be covered by one or more United States, international or foreign patents pending. Product names and markings noted herein may also be covered by one or more United States, international or foreign trademarks.

This document is written in English but may be translated into multiple languages for reference. Only the English version of this document is the final and definitive format released by Diodes Incorporated.

**LIFE SUPPORT**

Diodes Incorporated products are specifically not authorized for use as critical components in life support devices or systems without the express written approval of the Chief Executive Officer of Diodes Incorporated. As used herein:

A. Life support devices or systems are devices or systems which:

1. are intended to implant into the body, or
  2. support or sustain life and whose failure to perform when properly used in accordance with instructions for use provided in the labeling can be reasonably expected to result in significant injury to the user.
- B. A critical component is any component in a life support device or system whose failure to perform can be reasonably expected to cause the failure of the life support device or to affect its safety or effectiveness.

Customers represent that they have all necessary expertise in the safety and regulatory ramifications of their life support devices or systems, and acknowledge and agree that they are solely responsible for all legal, regulatory and safety-related requirements concerning their products and any use of Diodes Incorporated products in such safety-critical, life support devices or systems, notwithstanding any devices- or systems-related information or support that may be provided by Diodes Incorporated. Further, Customers must fully indemnify Diodes Incorporated and its representatives against any damages arising out of the use of Diodes Incorporated products in such safety-critical, life support devices or systems.

Copyright © 2016, Diodes Incorporated

[www.diodes.com](http://www.diodes.com)