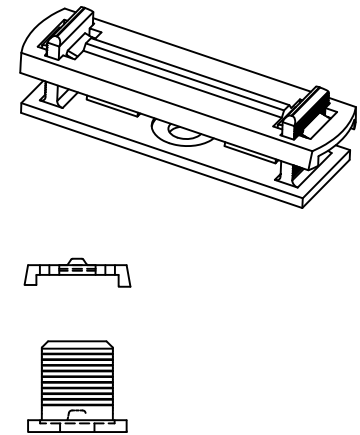
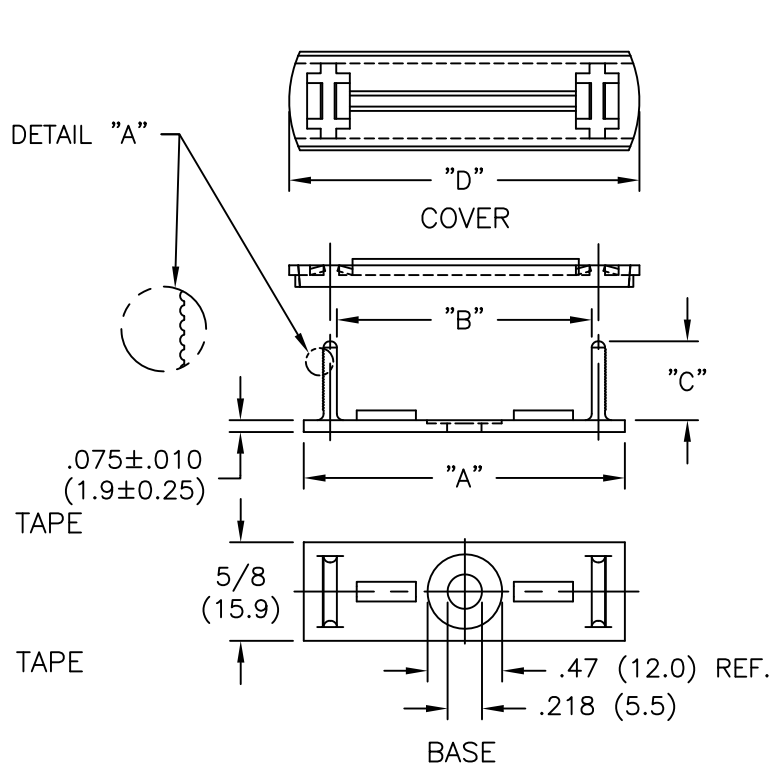


BASE PART NO.	"A" REF.	"B" REF.	"C"	COVER PART NO.	"D" REF.
FCRCSH-13B-4	2.04 (51.7)	1.62 (41.2)	1/2 (12.7)	FCRC-13C	2.24 (56.8)
FCRCSH-13B-6			3/4 (19.1)		
FCRCSH-19B-4	2.72 (69.1)	2.31 (58.7)	1/2 (12.7)	FCRC-19C	2.92 (74.2)
FCRCSH-19B-6			3/4 (19.1)		
FCRCSH-21B-4	2.98 (75.7)	2.55 (64.8)	1/2 (12.7)	FCRC-21C	3.17 (80.5)
FCRCSH-21B-6			3/4 (19.1)		
FCRCSH-26B-4	3.66 (93.0)	3.24 (82.3)	1/2 (12.7)	FCRC-26C	3.86 (98.0)
FCRCSH-26B-6			3/4 (19.1)		

NOTES:

- MATERIAL: NYLON 6/6 (RMS-01).
FLAME RETARDANT NYLON (RMS-19),
AVAILABLE BY SPECIAL ORDER ONLY.
- COLOR: NATURAL.
- TAPE:
1/32 (0.8) THICK, ACRYLIC ADHESIVE TAPE
(RMS-15), WHITE LINER,
AVAILABLE BY SPECIAL ORDER ONLY.
TO ORDER ADD "A" AS SUFFIX.
1/32 (0.8) THICK, RUBBER ADHESIVE TAPE
(RMS-102), BLUE LINER,
AVAILABLE BY SPECIAL ORDER ONLY.
TO ORDER, SPECIFY "A1" AS SUFFIX.



F		SEE CO 200773 FOR CHANGES	SK 04.30.12	TITLE: FLAT CABLE ROUTING CLAMP, SERRATED W/HOLE			DWG IN IN (MM)	FINAL	PRINT TYPE
E	CORRECTED COVER PART NUMBERS		SM 03.25.02	TOLERANCES UNLESS NOTED	FILE # FCRCSH	DWN: SM	APP:	PART #	CA
D	ADDED PREVIOUS REV A AND B		SM 03.18.02	.XX=±.010	MAT'L: SEE NOTES	DT: 03/05/02	DT:		
C	COMPLETELY RE-DRAWN		SM 03.05.02	.XXX=±.005	RE: RICHCO, INC.	RICHCO INC.		SEE TABLE	
B	CONVERTED TO ACAD		PB 04.22.94	FRAC=±1/64	PO BOX 804238, CHICAGO, 60680		(773) 539-4060		
A	P/N FCRCSH WAS FCRC: HOLE ADDED		RS 09.03.91	ANG=±1'					
REV	DESCRIPTION		ENGR DATE						