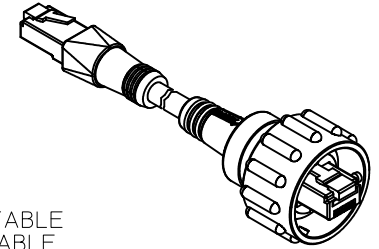
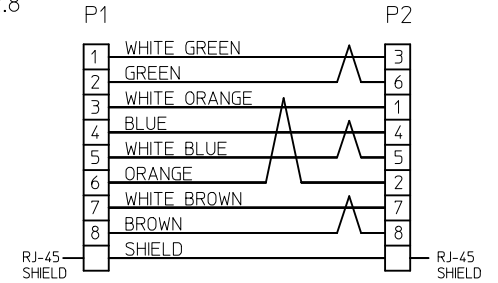
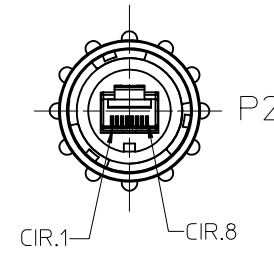
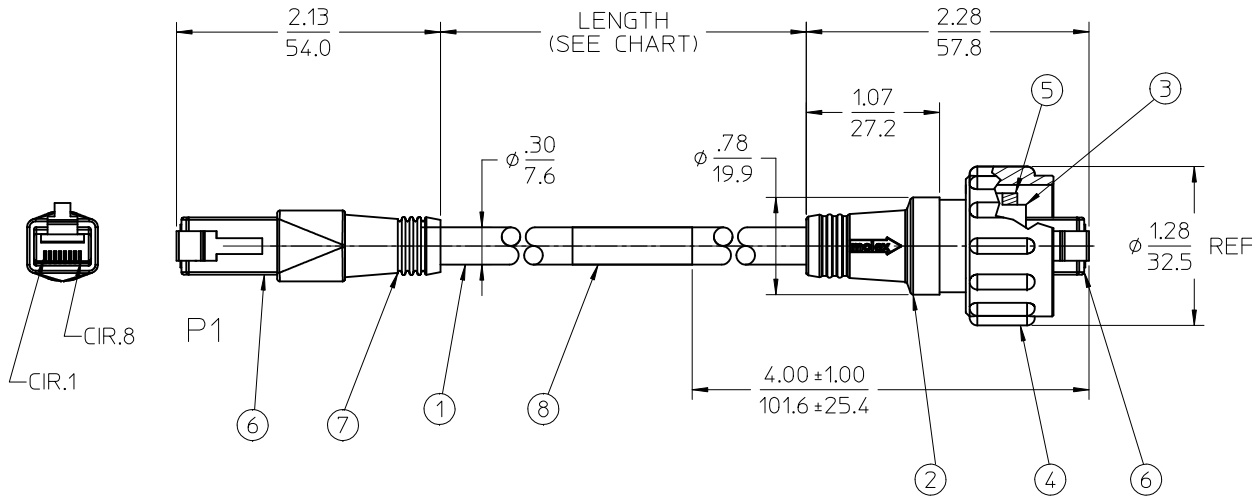


|              |                                     |   |   |   |   |   |   |   |   |
|--------------|-------------------------------------|---|---|---|---|---|---|---|---|
| 10           | 9                                   | 8 | 7 | 6 | 5 | 4 | 3 | 2 | 1 |
| MATERIAL NO. | LENGTH                              |   |   |   |   |   |   |   |   |
| 847029008    | 100' 0" +6.00"-0 [ 30.5M +152mm-0 ] |   |   |   |   |   |   |   |   |



- NOTES:  
 1. MATERIAL: SEE TABLE  
 2. FINISHES: SEE TABLE  
 3. SHIELDS ARE CRIMPED ON BOTH ENDS  
 4. ASSEMBLY IS RoHS COMPLIANT



WIRING DIAGRAM

|      |     |                             |               |              |
|------|-----|-----------------------------|---------------|--------------|
| 8    | 1   | WRAP LABEL                  | PLASTIC FILM  | BLACK/YELLOW |
| 7    | 1   | RJ-45 PLUG OVERMOLD         | PVC           | BLACK        |
| 6    | 2   | RJ-45 PLUG, SHIELDED        | PH-BRNZ CONT. | GOLD PLATED  |
| 5    | 1   | GASKET SEAL                 | NITRILE       | BLACK        |
| 4    | 1   | RJ-45 COUPLING RING         | PBT           | BLACK        |
| 3    | 1   | RJ-45 HOLDER                | PBT           | BLACK        |
| 2    | 1   | OVERMOLD BODY, PVC, BLACK   | PVC           | BLACK        |
| 1    | 1   | CABLE, 4P, 24 AWG, SHIELDED | PVC JACKET    | BLACK        |
| ITEM | QTY | DESCRIPTION                 | MATERIAL      | FINISH       |

ADD WRAP LABEL  
 EC NO: WINA2010-0206  
 DRAWN BY: CHKDRSTONE  
 2009/10/16  
 2009/12/15  
 APPR: JFMURPHY  
 2009/12/15

QUALITY SYMBOLS  
 ▽=0  
 ▽=0

GENERAL TOLERANCES (UNLESS SPECIFIED)

|                | mm     | INCH    |
|----------------|--------|---------|
| 4 PLACES       | ± .005 | ± .0004 |
| 3 PLACES       | ± .002 | ± .0001 |
| 2 PLACES       | ± .001 | ± .0001 |
| 1 PLACE        | ± 0.25 | ± .010  |
| ANGULAR ± 1/2° |        |         |

DRAFT WHERE APPLICABLE MUST REMAIN WITHIN DIMENSIONS

DIMENSION STYLE: IN/MM

|             |            |
|-------------|------------|
| DRAWN BY    | DATE       |
| R. STONE    | 09-28-05   |
| CHECKED BY  | DATE       |
| R. DEROSS   | 09-29-05   |
| APPROVED BY | DATE       |
| JFMURPHY    | 2009/12/15 |

MATERIAL NO. SEE CHART

SCALE: 1:1  
 DESIGN UNITS: INCH  
 THIRD ANGLE PROJECTION

TITLE: CORD ASSEMBLY, RJ-45 MALE BAYONET TO MALE PLUG, 568B CROSSOVER

MOLEX INCORPORATED

DOCUMENT NO. SD-84702-015  
 SHEET NO. 1 OF 1

THIS DRAWING CONTAINS INFORMATION THAT IS PROPRIETARY TO MOLEX INCORPORATED AND SHOULD NOT BE USED WITHOUT WRITTEN PERMISSION