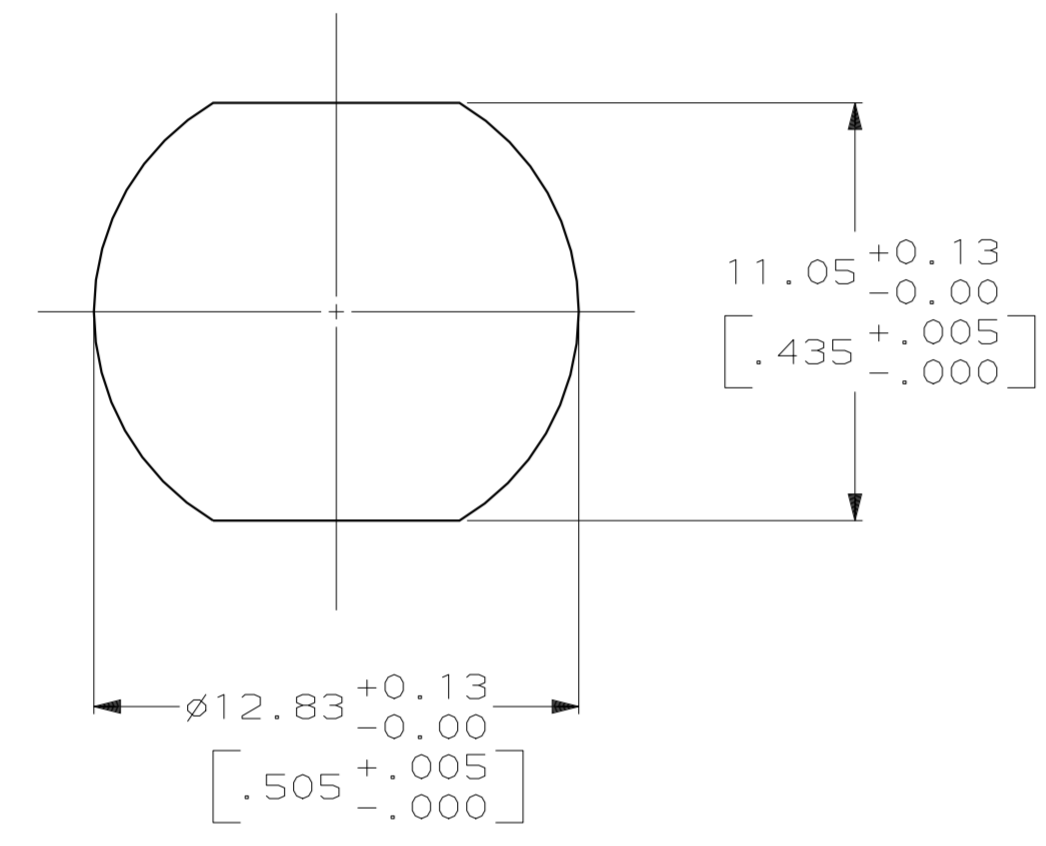
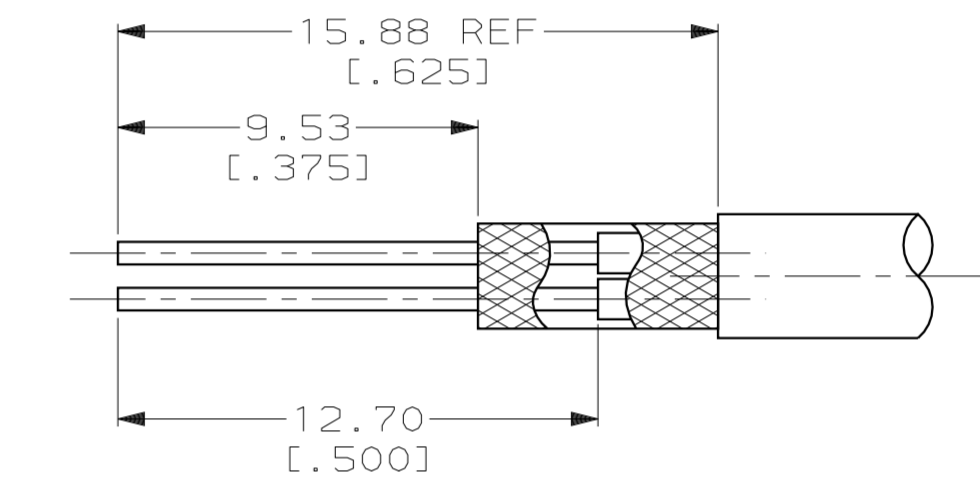
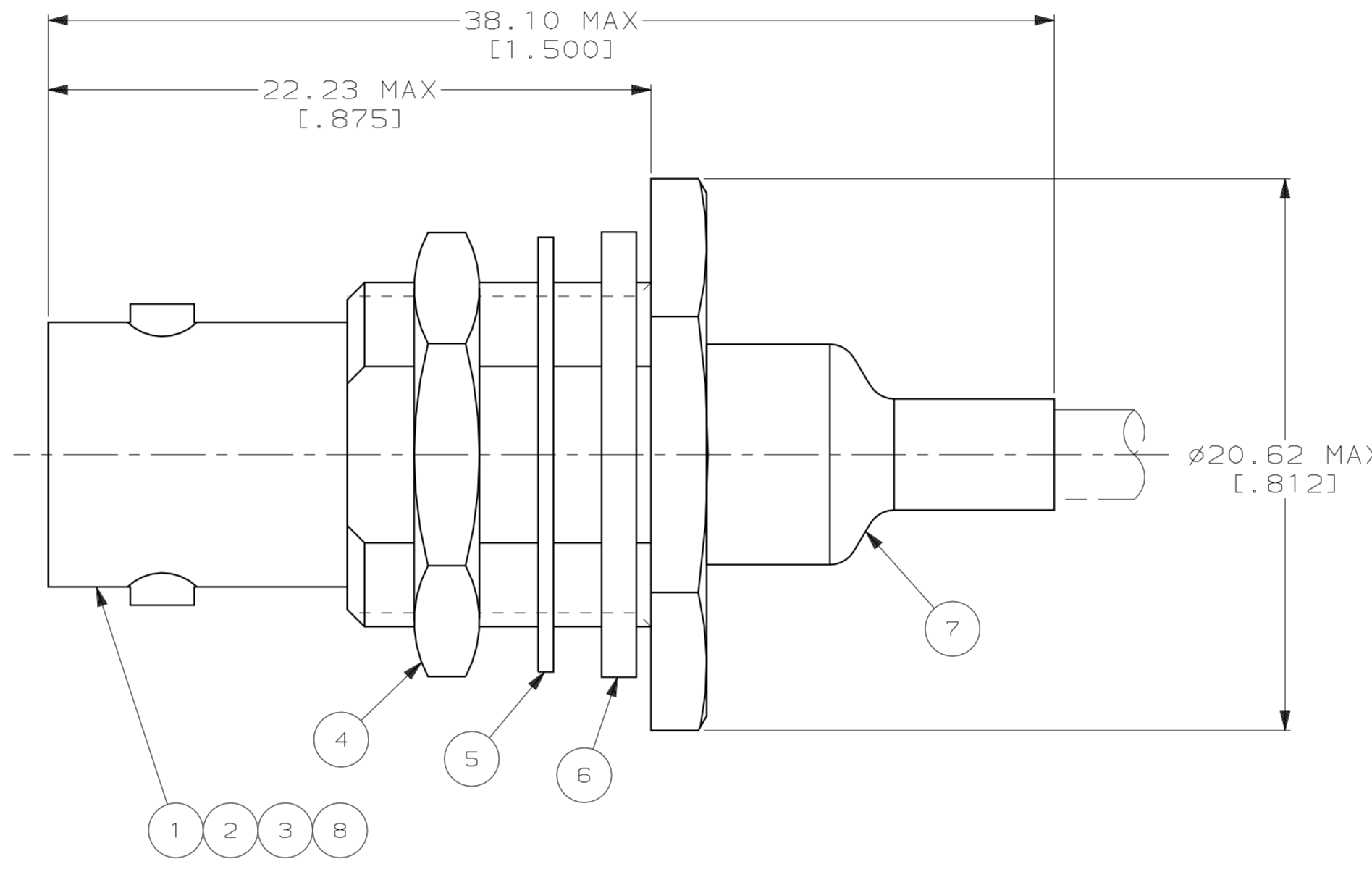


LOC		DIST		P		F		ZONE		LTR		REVISIONS			
AJ		16										DESCRIPTION	DATE	APPD	
✓	✓											F	REDWN & RLSE -3 PER 91-3314-002	6-13-91	MEC
✓	✓											G	OBSOLETE -2 PER AJ-3020	6-19-91	MEC
✓	✓											H	REV PER AJ-5739	11-12-91	JL
✓	✓											H1	OBS 332342-1 PER ECN AJ-5756	10-15-92	KT
✓	✓											J	REVISE PER 0130-0036-92	11-24-92	MEC

1. SEE I.S. 2055



RECOMMENDED PANEL CUTOUT



RECOMMENDED STRIP LENGTH

	BELDEN 81533	58047-2	1-332210-0	228455-6	329633	329632	329631	332214	1-332221-2	1-329791-5	332342-3
OBSOLETE	BLUE TWIN (Ø.023 CC, Ø.045 DOD, Ø.155 OD)	58047-1	1-332210-0	228455-3	329633	329632	329631	332214	1-332221-2	1-329791-5	332342-2
OBSOLETE	-	-	-	-	-	-	-	-	-	-	332342-1
	RG-108 & 108A	69667	1-332210-0	1-332224-0	329633	329632	329631	332214	1-332221-0	1-329791-5	332342
	FOR USE WITH CABLE	CRIMP TOOL	8 DIELECTRIC QTY=1	7 FERRULE QTY=1	6 GASKET QTY=1	5 LOCKWASHER QTY=1	4 JAM NUT QTY=1	3 SEAL QTY=1	2 CRIMP END ASSEMBLY QTY=1	1 BODY, JACK, BULKHEAD QTY=1	PART NUMBER

DO NOT SCALE PRINT. UNLESS SPECIFIED DIMENSIONS IN mm [INCHES]		PART NO	
TOLERANCES - ON :	DR 6-13-91 M.E. COWHER	AMP Incorporated Harrisburg, PA 17105-3608	
2 PLC DEC ±0.41 [0.16]	CHK 6-20-91 J.T. LIPPERT		
3 PLC DEC ±-	APPD 6-20-91 M. PHILLIPS	NAME	
ANGLES ±-	APPD 6-20-91 M.E. COWHER	JACK, BHD, TWIN BNC	
MATERIAL	PRODUCT SPEC	SIZE	CAGE CODE
-	-	D	00779
FINISH	APPLICATION SPEC	DRAWING NO	
-	-	332342	
WEIGHT		SCALE	SHEET
-		5:1	1 OF 1