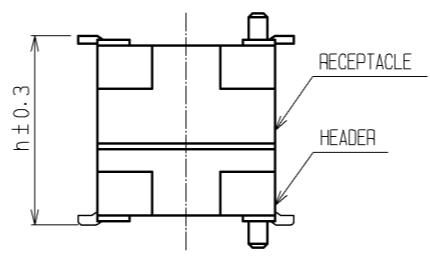


NOTES ① LEAD CO-PLANARITY INCLUDE REINFORCED METAL FITTINGS SHALL BE 0.1mm MAX .
 ② WHEN A PART MARKED WITH HAS A PATTERN BUT NO RESIST ON IT. TAKE CARE TO PREVENT THE CONNECTOR FROM TOUCHING IT.

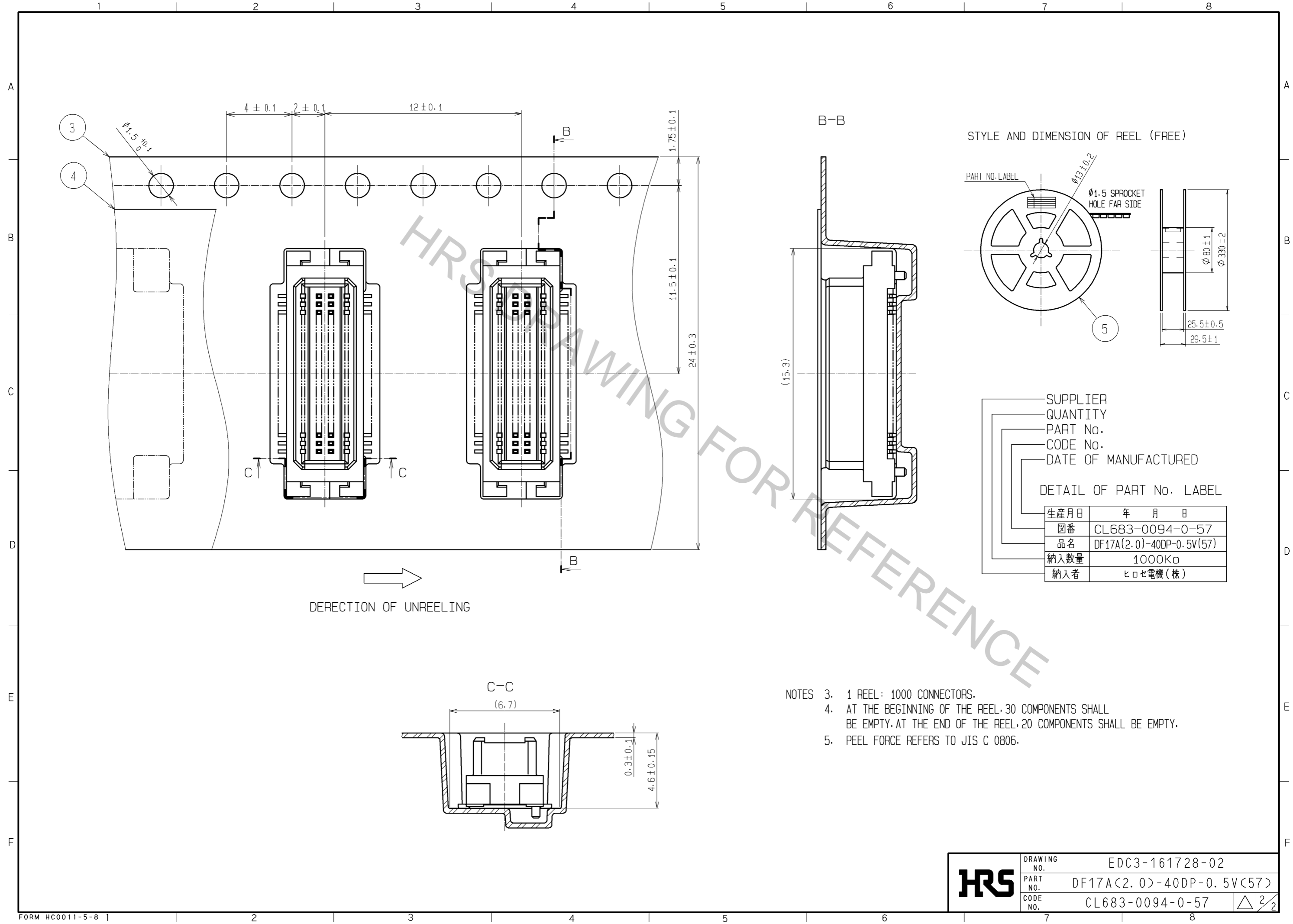
MATED HIGHT (h)	RECEPTACLE NO.	
HEADER NO.	DF17#(3.0)-40DS-0.5V(57)	DF17#(4.0)-40DS-0.5V(57)
DF17A(2.0)-40DP-0.5V(57)	5	6



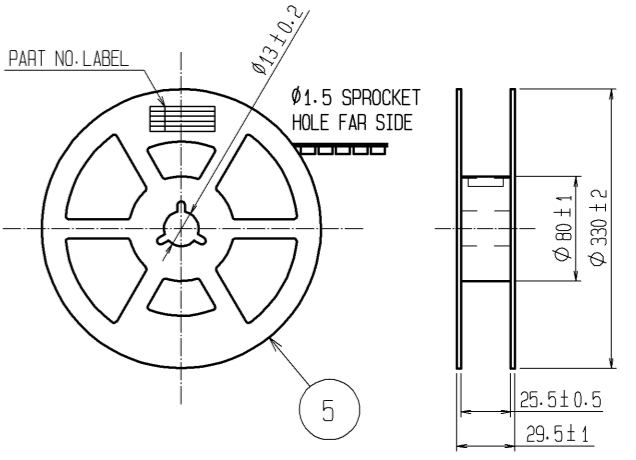
NO.	MATERIAL	FINISH . REMARKS	NO.	MATERIAL	FINISH . REMARKS
1	PHOSPHER BRONZE	CONTACT AREA:GOLD PLATED 0.1μm min LEAD AREA:TIN PLATED 1μm min UNDER PLATING:NICKEL PLATED 1μm min	5	PS	BLACK (PLASTIC REEL)
			4	POLYESTER	CLEAR (COVER TAPE)
			3	A-PET	CLEAR (EMBOSSED CARRIER TAPE)
			2	POLYAMIDE (PA6T)	WHITE BEIGE , UL94V-0

UNITS	SCALE	COUNT	DESCRIPTION OF REVISIONS	DESIGNED	CHECKED	DATE
mm	5 : 1	△	APPROVED : KH. IKEDA 08.09.11 CHECKED : AR. TAKAHASHI 08.09.11 DESIGNED : TY. YAMASAKI 08.07.28 DRAWN : TY. YAMASAKI 08.07.28			

DRAWING NO.	PART NO.	CODE NO.
EDC3-161728-02	DF17A(2.0)-40DP-0.5V(57)	CL683-0094-0-57



STYLE AND DIMENSION OF REEL (FREE)



SUPPLIER
 QUANTITY
 PART No.
 CODE No.
 DATE OF MANUFACTURED

DETAIL OF PART No. LABEL

生産月日	年 月 日
図番	CL683-0094-0-57
品名	DF17A(2.0)-40DP-0.5V(57)
納入数量	1000K ϕ
納入者	ヒロセ電機(株)

- NOTES
- 1 REEL: 1000 CONNECTORS.
 - AT THE BEGINNING OF THE REEL, 30 COMPONENTS SHALL BE EMPTY. AT THE END OF THE REEL, 20 COMPONENTS SHALL BE EMPTY.
 - PEEL FORCE REFERS TO JIS C 0806.

HRS	DRAWING NO.	EDC3-161728-02
	PART NO.	DF17A(2.0)-40DP-0.5V(57)
	CODE NO.	CL683-0094-0-57
		\triangle 2/2