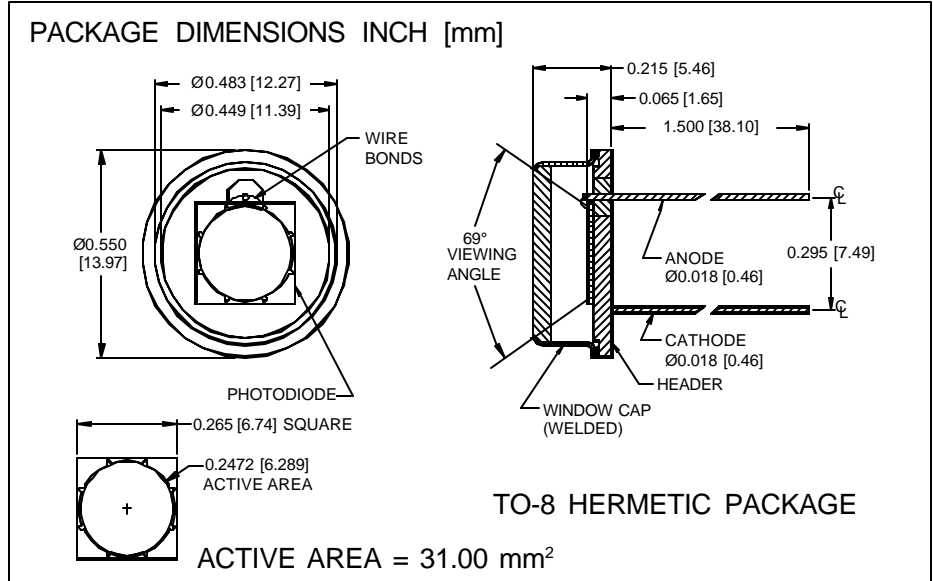


# PHOTONIC DETECTORS INC.

## Silicon Photodiode, Blue Enhanced Photovoltaic Type PDB-V108



### FEATURES

- Low noise
- Blue enhanced
- High shunt resistance
- High response

### DESCRIPTION

The **PDB-V108** is a silicon, PIN planar diffused, blue enhanced photodiode. Ideal for low noise photovoltaic applications. Packaged in a hermetic TO-8 metal can with a flat window.

### APPLICATIONS

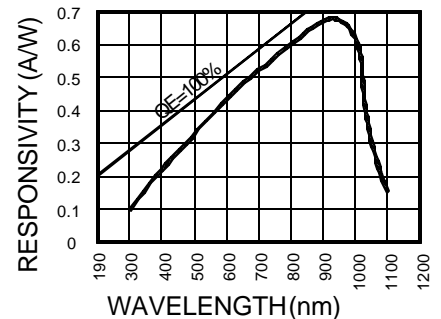
- Laser sensor
- Instrumentation
- Industrial controls
- Colorimetry

### ABSOLUTE MAXIMUM RATING (TA=25°C unless otherwise noted)

SYMBOL	PARAMETER	MIN	MAX	UNITS
V <sub>BR</sub>	Reverse Voltage		75	V
T <sub>STG</sub>	Storage Temperature	-55	+150	°C
T <sub>O</sub>	Operating Temperature Range	-40	+125	°C
T <sub>S</sub>	Soldering Temperature*		+240	°C
I <sub>L</sub>	Light Current		500	mA

\*1/16 inch from case for 3 secs max

### SPECTRAL RESPONSE



### ELECTRO-OPTICAL CHARACTERISTICS (TA=25°C unless otherwise noted)

SYMBOL	CHARACTERISTIC	TEST CONDITIONS	MIN	TYP	MAX	UNITS
I <sub>SC</sub>	Short Circuit Current	H = 100 fc, 2850 K	375	430		mA
I <sub>D</sub>	Dark Current	H = 0, V <sub>R</sub> = 10 V		250	800	pA
R <sub>SH</sub>	Shunt Resistance	H = 0, V <sub>R</sub> = 10 mV	.2	1		GΩ
TC R <sub>SH</sub>	R <sub>SH</sub> Temp. Coefficient	H = 0, V <sub>R</sub> = 10 mV		-8		% / °C
C <sub>J</sub>	Junction Capacitance	H = 0, V <sub>R</sub> = 0 V**		2500		pF
λ <sub>range</sub>	Spectral Application Range	Spot Scan	350		1100	nm
λ <sub>p</sub>	Spectral Response - Peak	Spot Scan		950		nm
V <sub>BR</sub>	Breakdown Voltage	I = 10 mA	30	40		V
NEP	Noise Equivalent Power	V <sub>R</sub> = 10 mV @ Peak		5x10 <sup>-14</sup>		W/√Hz
tr	Response Time	R <sub>L</sub> = 1 KΩ V <sub>R</sub> = 0 V		950		nS

Information in this technical data sheet is believed to be correct and reliable. However, no responsibility is assumed for possible inaccuracies or omission. Specifications are subject to change without notice.\*\*f = 1 MHz

[FORM NO. 100-PDB-V108 REV C]