

Model No: FSL-1520R02-08

Rev: 1

Product Line: Tymphany

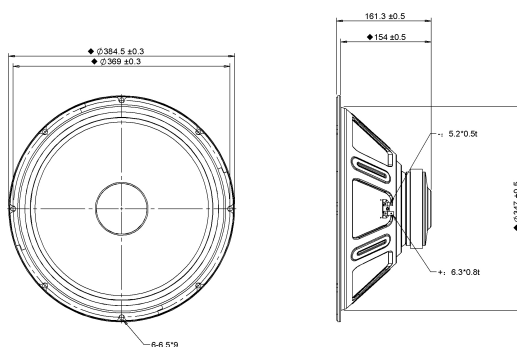
Last Update: 2017-04-21 12:39:42

## Product Description

This 15 inch 8 ohm speaker features a FEA optimized ferrite magnet motor, a 2 inch high-temperature voice coil, and a high strength stamped steel frame. The multi-roll surround and spider have been optimized to reduce distortion over the excursion range of this transducer.



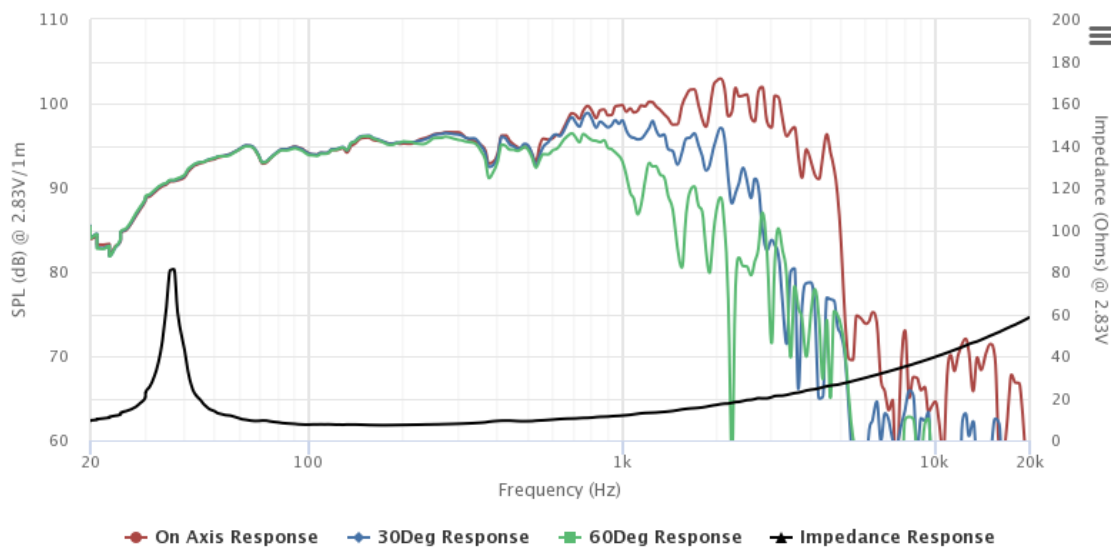
## Mechanical Drawing



## Specifications

DC Resistance	Revc	Ohms	5.46	5.0%	Energy Bandwidth Product	EBP	$(1/Qes) \cdot fs$
Minimum Impedance	Zmin	Ohms	7.22	7.5%	Moving Mass	Mms	g
Voice Coil Inductance	Le	mH	0.68		Suspension Compliance	Cms	um/N
Resonant Frequency	Fs	Hz	42.65	15%	Effective Cone diameter	D	cm
Mechanical Q Factor	Qms		6.69		Effective Piston Area	Sd	cm <sup>2</sup>
Electrical Q Factor	Qes	0.69			Effective Volume	Vas	L
Total Q Factor	Qts	0.63			Motor Force Factor	BL	Tm
Ratio Fs/Qts	F	Fs/Qts	68.01		Motor Efficiency Factor	$\beta$	$(T \cdot M^2) / Ohms$
Half Space Sensitivity @2.83V	db@2.83V/1M	dB	95.47	+/- 1.0db	Voice coil former Material	VCfm	KSV
Half Space Sensitivity @1W/1M	db@1W/1M	dB	95	+/- 1.0db	Voice coil inner diameter	VCd	mm
Gap Height	Gh	mm	8		Rated Noise Power	P	W
Maximum Linear Excursion	Xmax	mm	3.3		Test Spectrum Bandwidth		40Hz-400Hz
Ferofluid Type	FF				Driver Size	Inch	15 in
Driver Mass	Kg	3.48					

## Frequency and Impedance Response



Highcharts.com