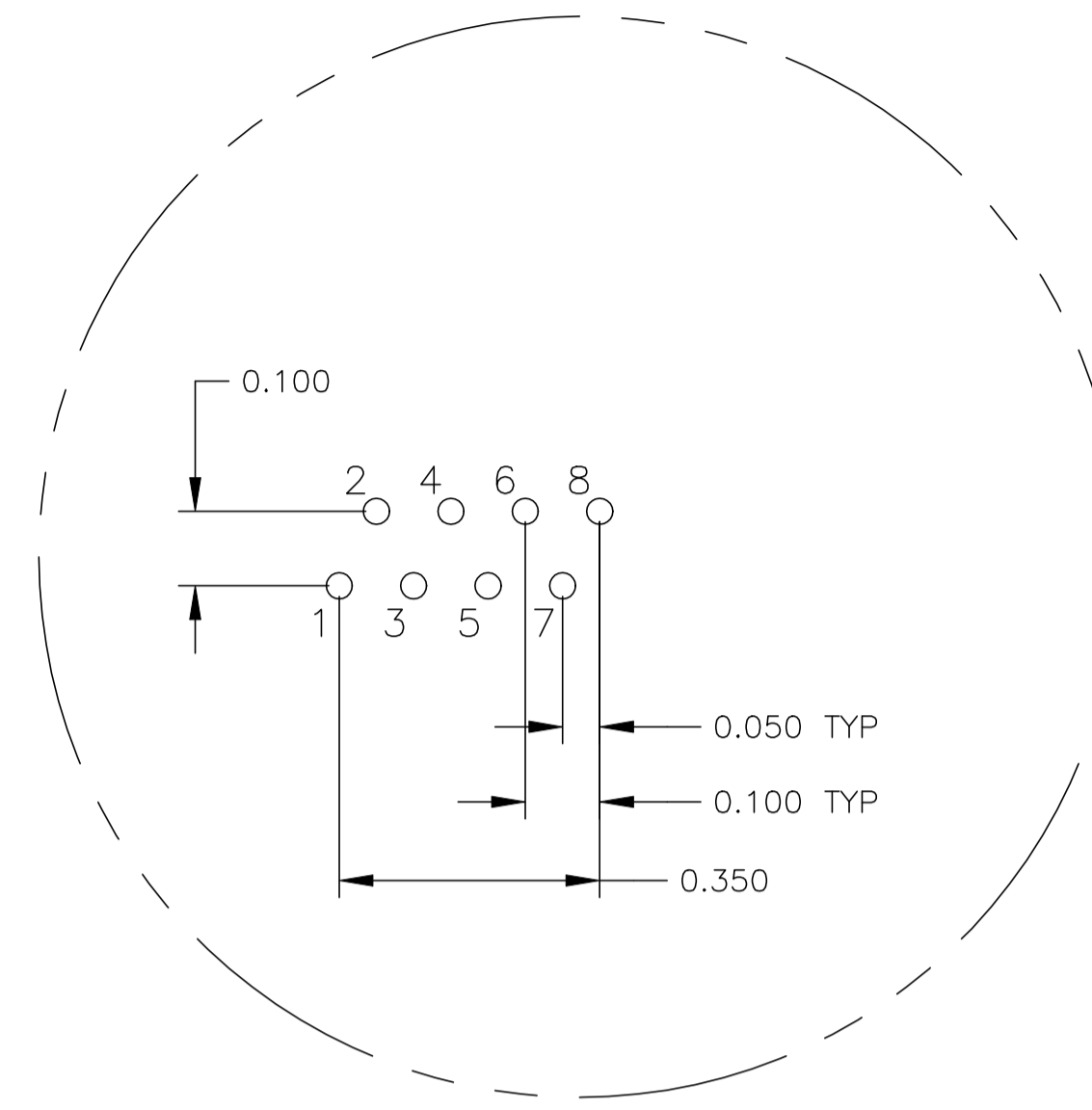
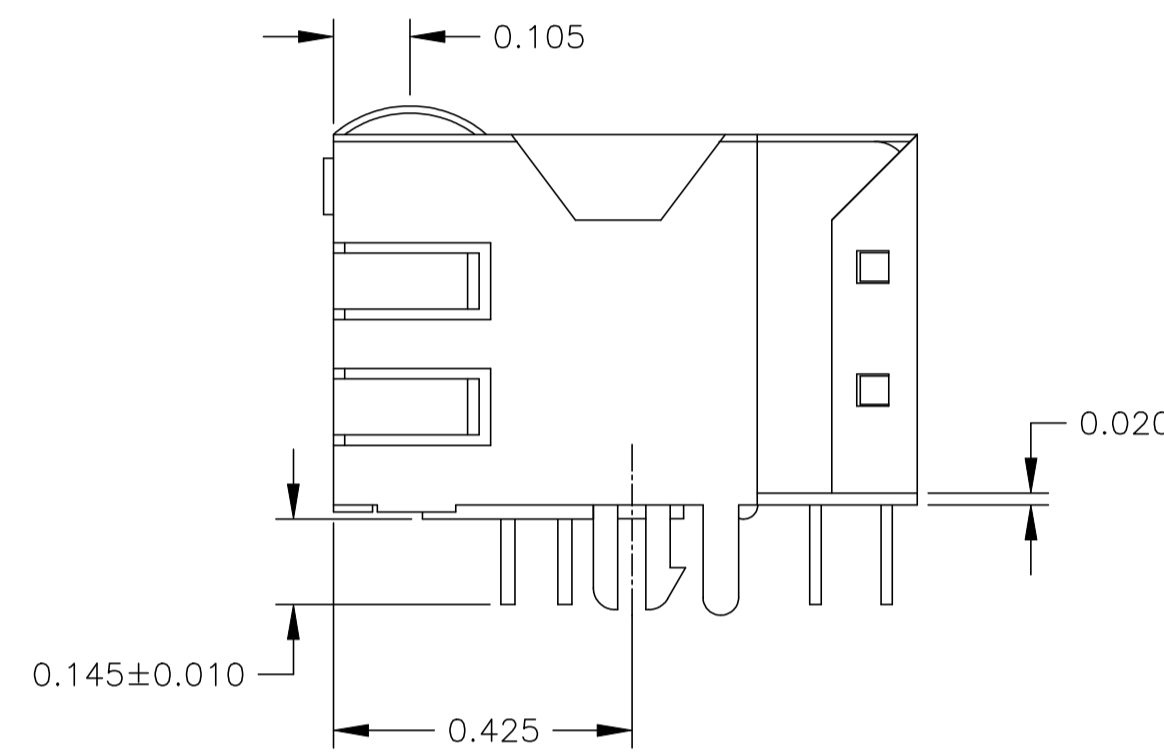
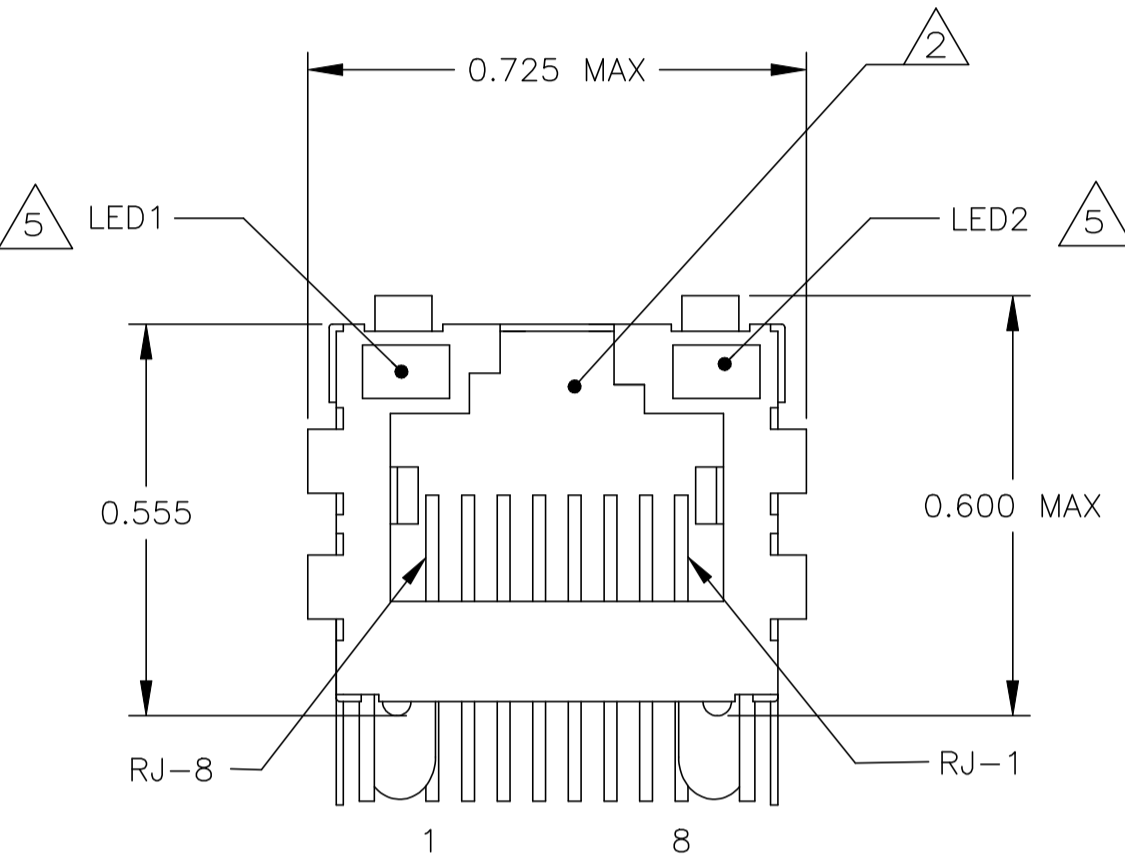
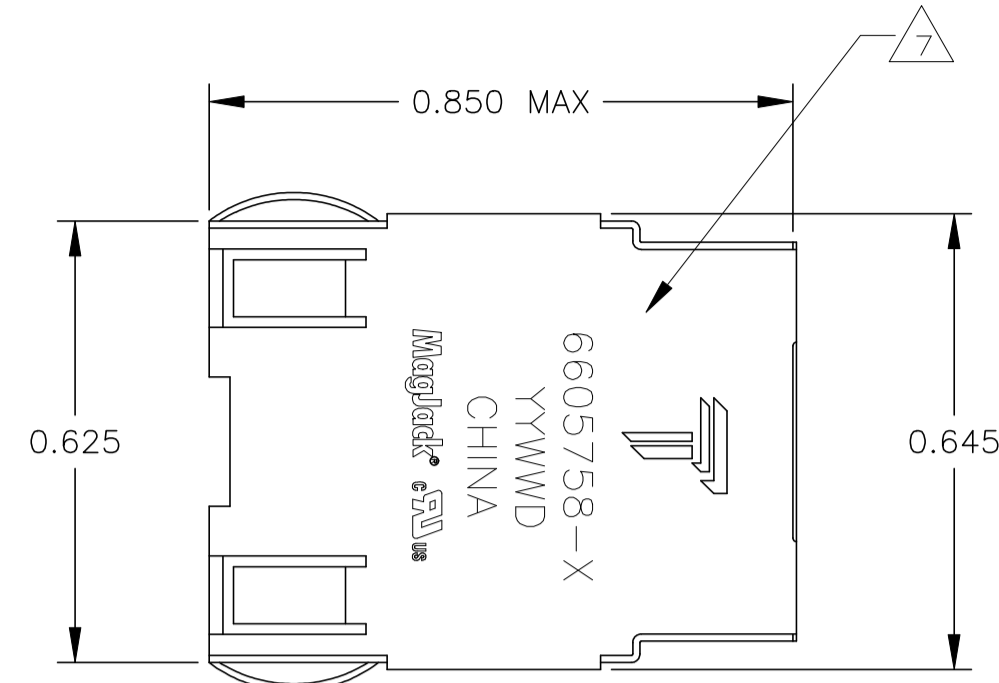


THIS DRAWING AND THE SUBJECT MATTER SHOWN THEREON ARE CONFIDENTIAL AND THE PROPERTY OF BEL/STEWART/TRP CONNECTOR AND SHALL NOT BE REPRODUCED, COPIED, OR USED IN ANY MANNER WITHOUT THE WRITTEN CONSENT OF TRP CONNECTOR.

PRODUCT MAY BE PROTECTED BY ONE OR MORE OF THE FOLLOWING US PATENTS:
 5736910 5939955 6425781 6428361 6554638 6840817 7123117
 7429195 7717749 7808751 6217391 6149050 7924130

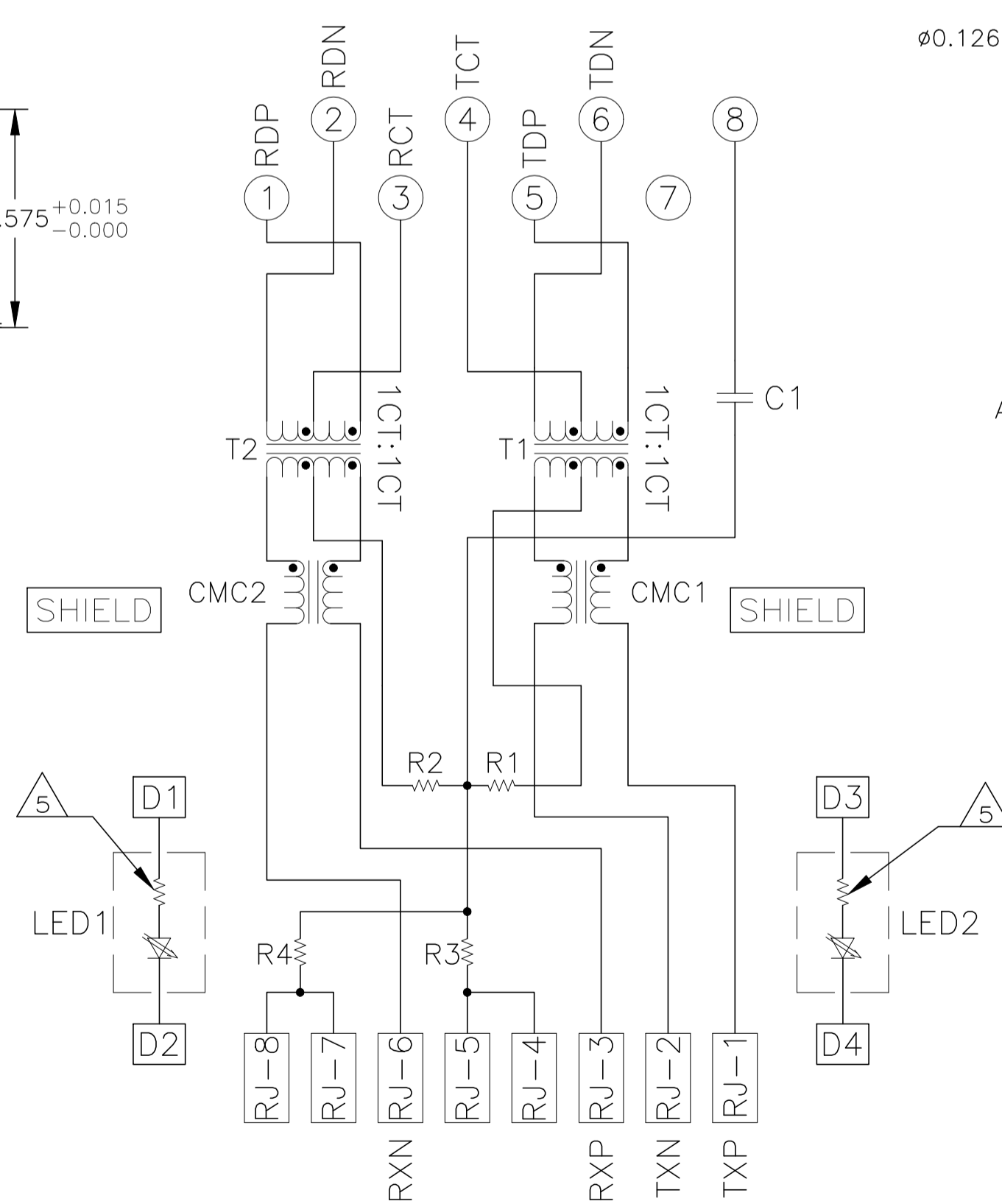
REVISIONS					
P	REV	DESCRIPTION	DATE	DWN	APVD
	E	EC-1411035 COMPANY LOGO CHANGE	05JAN2015	HY	KZ

MECHANICAL:

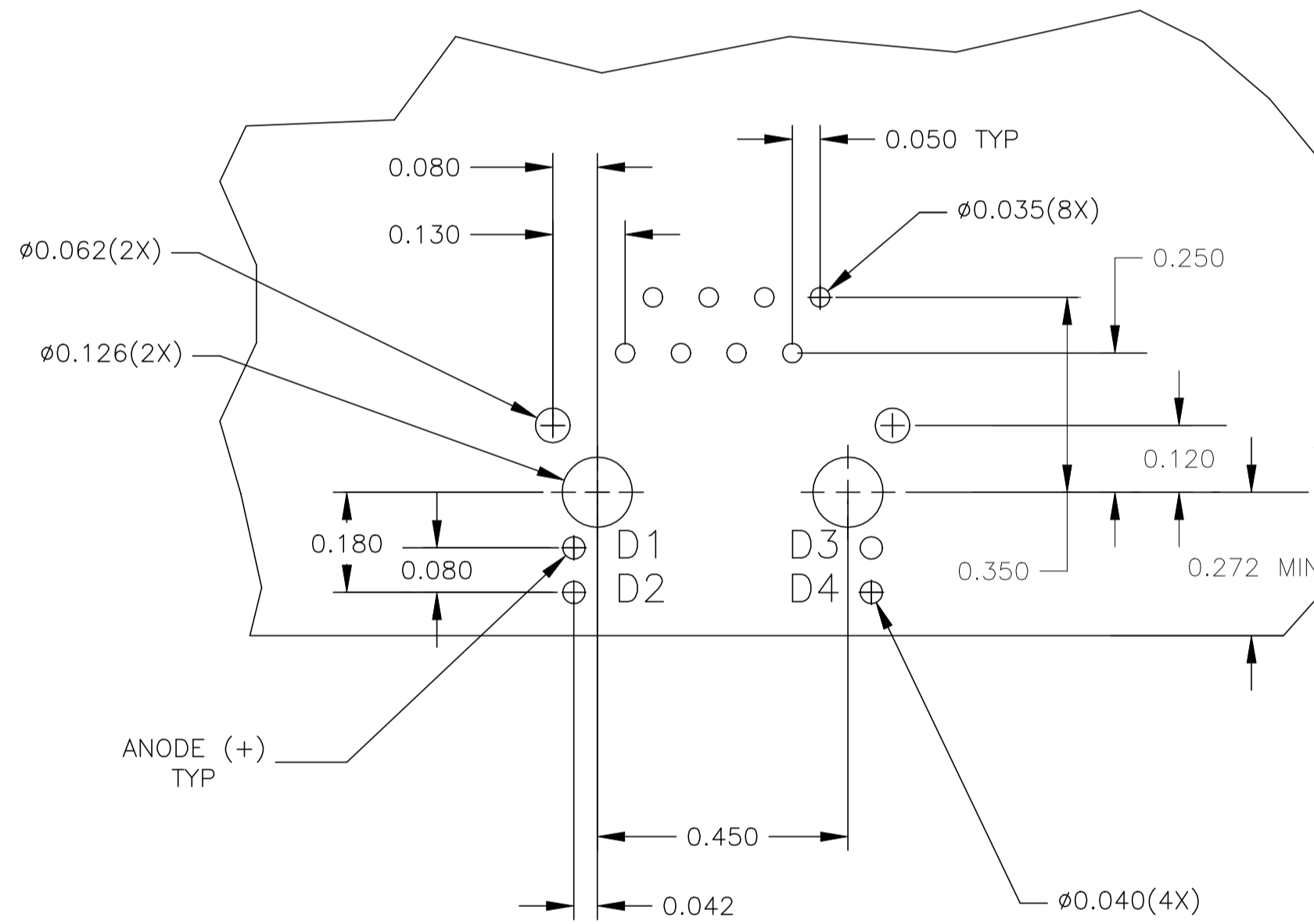


Pin Designations

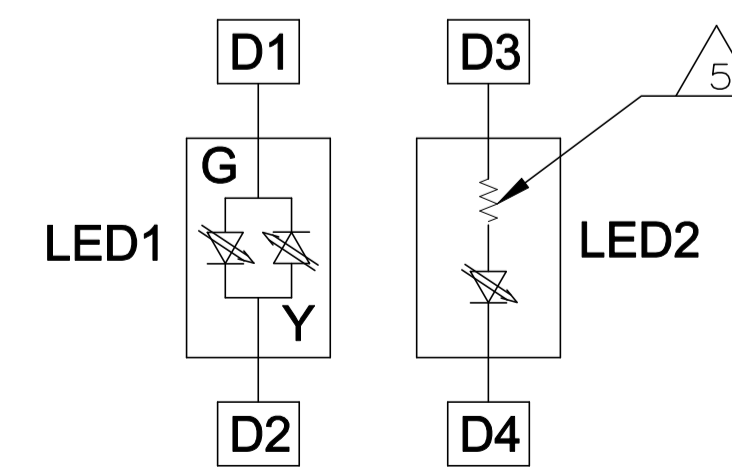
726 SERIES MAGNETIC CIRCUIT



C1 = 1000pF, 2kV DECOUPLING CAPACITOR
 R1-R4 = 75 OHMS, 1/16W, RESISTORS



Suggested PCB Layout



LED CONFIGURATION FOR 5-6605758-4 ONLY

- ⚠ MATERIALS:
 - HOUSING - THERMOPLASTIC PET POLYESTER FLAMMABILITY RATING UL 94V-0.
 - SHIELD - .010" THICK, C26800 BRASS PREPLATED WITH 30μINCH MIN SEMI-BRIGHT NICKEL, SOLDER TABS POST DIPPED WITH 100μINCH MIN SAC SOLDER.
 - MOD JACK CONTACTS - 0.0157" x 0.018" PHOSPHOR BRONZE, 50μINCH MIN OVERALL NICKEL UNDERPLATE, WITH SELECT 50μINCH MIN HARD GOLD FINISH PLATE. SOLDERTAILS WITH 100μINCH MIN MATTE TIN AND/OR SAC SOLDER DIP.
 - LIGHT EMITTING DIODE(LED) - DIFFUSED EPOXY LENS, .020" x .020" CARBON STEEL WIREFRAME LEADS PRE-PLATED WITH 80μINCH SILVER OVER 40μINCH NICKEL UNDERPLATE OVER 40μINCH COPPER UNDERPLATE, POST-PLATED WITH 100μINCH MIN MATTE TIN AND/OR SAC SOLDER DIP OR PURE TIN SOLDER DIP.
- ⚠ RJ45 JACK CAVITY CONFORMS TO FCC RULES AND REGULATIONS PART 68, SUB PART F.
- ⚠ MAGNETICS
 - IMPEDANCE: 100 OHMS
 - TURNS RATIO (CHIP:CABLE): TX = 1:1, RX = 1:1
 - OPEN CIRCUIT INDUCTANCE (OCL): 350μH MIN @100kHz, 0.1VRMS, 8mADC BIAS FROM 0°C TO 70°C, TX AND RX
 - PERFORMANCE @ 25°C:
 - INSERTION LOSS (IL): 1.1dB MAX FROM 0.5MHz TO 100MHz
 - RETURN LOSS (RL): 18dB MIN FROM 0.5MHz TO 30MHz
 - 18-20LOG(f/30)dB MIN FROM 30.1MHz TO 60MHz
 - 12dB MIN FROM 60.1MHz TO 80MHz
 - CROSSTALK ATTENUATION: 35dB MIN FROM 0.5MHz TO 40MHz
 - 33-20LOG(f/50)dB MIN FROM 40.1MHz TO 100MHz
 - COMMON MODE REJECTION RATIO (CMRR): 30dB MIN FROM 0.5MHz TO 100MHz
 - ISOLATION VOLTAGE 2250VDC (MAX) FOR 60 SECONDS WITH A RISE TIME OF 500V/SEC.
- 4. OPERATING TEMPERATURE: FROM 0°C TO +70°C.
- ⚠ THE 250 OHM LED RESISTORS ARE OPTIONAL, PLEASE SEE CHART FOR PRESENCE OR ABSENCE OF LED RESISTORS. IF THE LED WITHOUT 250 OHM RESISTORS, LED IS DRIVEN WITH CONSTANT CURRENT AT APPROX 20mA.
 - LED COLOR: DOMINANT WAVELENGTH (λD): GREEN 568 nm TYP. at IF=20mA
 - FORWARD VOLTAGE (VF): GREEN 2.2V TYP. at IF=20mA
 - DOMINANT WAVELENGTH (λD): YELLOW 588 nm TYP. at IF=20mA
 - FORWARD VOLTAGE (VF): YELLOW 2.1V TYP. at IF=20mA.
 - IF THE LED WITH 250 OHM RESISTORS, LED IS DRIVEN WITH 5V VOLTAGE AND THE MAX OPERATING CURRENT IS 20mA.
 - LED COLOR: DOMINANT WAVELENGTH (λD): GREEN 568 nm TYP. At VF=5V
 - FORWARD CURRENT (IF): GREEN 12 mA TYP. at VF=5V
 - DOMINANT WAVELENGTH (λD): YELLOW 588 nm TYP. At VF=5V
- ⚠ INDICATED CONNECTIONS ARE FOR NIC CONFIGURATION. THE MAGNETICS ARE SYMMETRICAL, AND SUPPORT AUTO-MDI/MDIX.
- ⚠ TRP CONNECTOR LOGO, PART NUMBER, DATE CODE, COUNTRY OF ORIGIN AND AGENCY APPROVAL MARKING IN APPROXIMATE LOCATION SHOWN.
- 8. THESE PARTS ARE RECOMMENDED FOR WAVE SOLDERING PROCESS. PEAK WAVE SOLDERING TEMPERATURE IS 265°C MAX, 10 SECONDS MAX.

OBSOLETE	YES	GREEN	YES	GREEN	YES	6-6605758-1
	YES	YELLOW	NO	GREEN	NO	5-6605758-9
	YES	GREEN	NO	YELLOW	NO	5-6605758-8
	YES	GREEN	NO	GREEN	NO	5-6605758-7
OBSOLETE	YES	GREEN/YELLOW	YES	GREEN	YES	5-6605758-4
OBSOLETE	YES	YELLOW	YES	GREEN	YES	5-6605758-2
	YES	GREEN	YES	YELLOW	YES	5-6605758-1
OBSOLETE	NO	GREEN	YES	GREEN	YES	1-6605758-1

2KV DECOUPLING CAPACITOR	LED1	250 OHMS RESISTOR	LED2	250 OHMS RESISTOR	PART NUMBER

THIS DRAWING IS A CONTROLLED DOCUMENT.		DWN L. VARELA - DOCK5		03MAR2005	
DIMENSIONS: INCHES		CHK D. FAROLE		03MAR2005	
TOLERANCES UNLESS OTHERWISE SPECIFIED:		APVD D. FAROLE		03MAR2005	
0 PLC	± .010	MODEL NAME		DESC 1X1 726 10/100 TAB UP W/ LED	
1 PLC	± .005	MAGJACK SINGLE		SIZE CAGE CODE DRAWING NO RESTRICTED TO	
2 PLC	± .010	NON-POE		A1 C=6605758	
3 PLC	± .005	CUSTOMER DRAWING		SCALE 1:1 SHEET 1 OF 1 REV E	
4 PLC	± .005				
ANGLES	± .005				
PRODUCT SPEC	108-2100				
APPLICATION SPEC					

