



## Product Brief

# 2EDN MOSFET EiceDRIVER™ family

Rugged, cool and fast, 2-channel low-side 5 A driver ICs

### 2EDN family overview

2-channel MOSFET driver ICs are the crucial link between control ICs and powerful MOSFET and GaN switching devices. MOSFET driver ICs enable high system level efficiencies, excellent power density and consistent system robustness.

### 2EDN family: Fast, precise, strong and compatible

- > Highly efficient SMPS enabled by 5 ns short slew rates and 10 ns propagation delay precision for fast MOSFET and GaN switching
- > Numerous deployment options due to two 5 A channels. 1 ns channel-to-channel accuracy to use two channels in parallel
- > Industry standard packages and pinout ease system design upgrades

### 2EDN family: The new reference in ruggedness and low power dissipation

- > 4 V and 8 V UVLO (Under Voltage Lock Out) options for instant MOSFET protection under abnormal conditions
- > -10 V robustness of control and enable inputs provides crucial safety margin when driving pulse transformers or driving MOSFETs in TO-220 and TO-247 packages
- > 5 A reverse output current robustness eliminates the need for Schottky switching Diodes and reduces bill-of-material
- > Cool driver ICs from true rail-to-rail low impedance output stages

### Applications

- > Server
- > Telecom
- > DC-DC converters
- > Bricks
- > Power tools
- > Industrial SMPS
- > Motor control
- > Solar



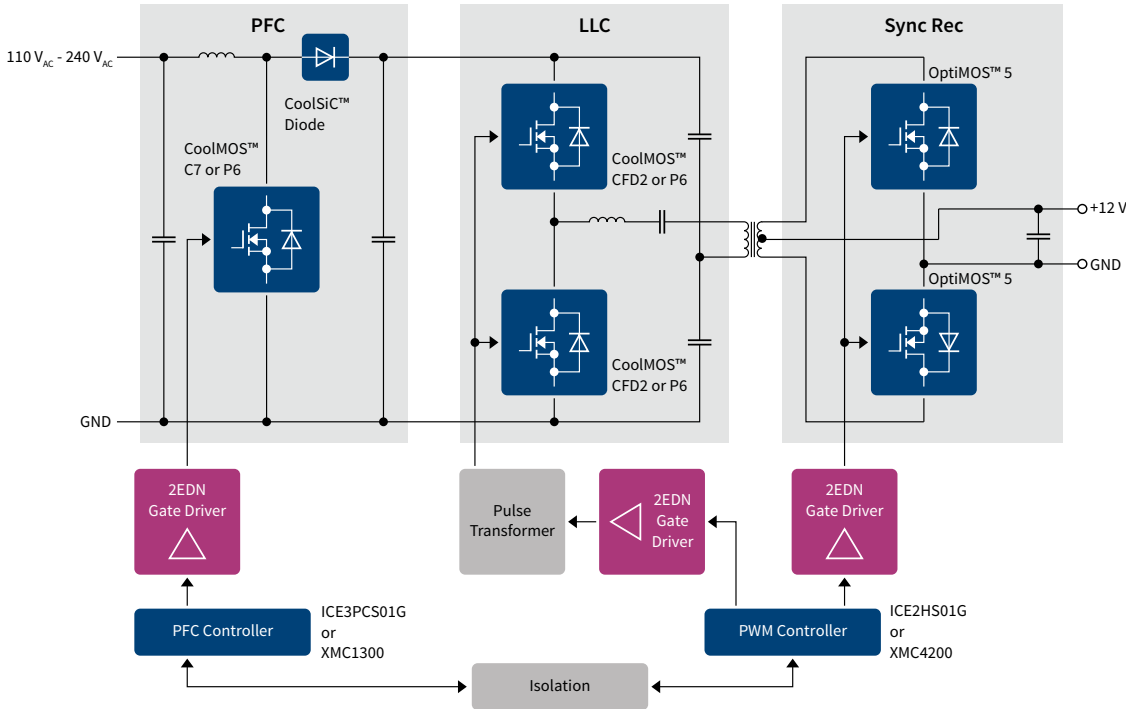
Product features	Product benefits	System benefits
<ul style="list-style-type: none"> <li>&gt; 5 A source/sink current</li> <li>&gt; 5 ns rise/fall times</li> <li>&gt; &lt;10 ns propagation delay precision</li> </ul>	<ul style="list-style-type: none"> <li>&gt; Fast Miller plateau transition</li> <li>&gt; Precise timing</li> </ul>	<ul style="list-style-type: none"> <li>&gt; High power efficiency                             <ul style="list-style-type: none"> <li>- in hard switching PFC with SiC Diode</li> <li>- in half-bridges and synchronous rectifications</li> </ul> </li> </ul>
<ul style="list-style-type: none"> <li>&gt; True rail-to-rail low impedance output stages</li> </ul>	<ul style="list-style-type: none"> <li>&gt; Low power dissipation in Driver IC</li> </ul>	<ul style="list-style-type: none"> <li>&gt; Cooler driver IC operation</li> <li>&gt; Higher MOSFET drive capability</li> </ul>
<ul style="list-style-type: none"> <li>&gt; 4 V and 8 V UVLO options</li> <li>&gt; 19 ns propagation delay for both control and enable inputs</li> </ul>	<ul style="list-style-type: none"> <li>&gt; Fast and reliable MOSFET turn-off, independent of control IC</li> </ul>	<ul style="list-style-type: none"> <li>&gt; Instant MOSFET protection under abnormal operation</li> </ul>
<ul style="list-style-type: none"> <li>&gt; -10 V robustness of control and enable inputs</li> </ul>	<ul style="list-style-type: none"> <li>&gt; Increased GND-bounce robustness</li> </ul>	<ul style="list-style-type: none"> <li>&gt; Crucial safety margin to drive pulse transformer</li> </ul>
<ul style="list-style-type: none"> <li>&gt; 5 A reverse output current robustness</li> </ul>	<ul style="list-style-type: none"> <li>&gt; Saves switching diodes</li> </ul>	<ul style="list-style-type: none"> <li>&gt; Increases power density</li> <li>&gt; BOM savings</li> </ul>
<ul style="list-style-type: none"> <li>&gt; 2 independent channels</li> <li>&gt; Excellent 1 ns channel-to-channel accuracy</li> </ul>	<ul style="list-style-type: none"> <li>&gt; Option to increase drive current by truly concurrent switching of 2 channels</li> </ul>	<ul style="list-style-type: none"> <li>&gt; One IC covering many applications</li> </ul>
<ul style="list-style-type: none"> <li>&gt; Industry standard pinout and packages</li> </ul>	<ul style="list-style-type: none"> <li>&gt; Straight forward design upgrades</li> </ul>	<ul style="list-style-type: none"> <li>&gt; Short time to market</li> </ul>



# 2EDN MOSFET EiceDRIVER™ family

Rugged, cool and fast, 2-channel low-side 5 A driver ICs

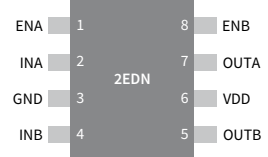
## Application overview 800 W 130 kHz switched mode power supply



## Product portfolio

Package	UVLO	Inputs	Product name	Orderable part number
	4 V	Direct	2EDN7524F	2EDN7524FXTMA1
		Inverted	2EDN7523F	2EDN7523FXTMA1
	8 V	Direct	2EDN8524F	2EDN8524FXTMA1
		Inverted	2EDN8523F	2EDN8523FXTMA1
	4 V	Direct	2EDN7524R	2EDN7524RXUMA1
		Inverted	2EDN7523R	2EDN7523RXUMA1
	8 V	Direct	2EDN8524R	2EDN8524RXUMA1
		Inverted	2EDN8523R	2EDN8523RXUMA1
	4 V	Direct	2EDN7524G	2EDN7524GXTMA1
		Inverted	2EDN7523G	2EDN7523GXTMA1

## Industry standard pinout configuration



For more information visit:  
[www.infineon.com/2edn](http://www.infineon.com/2edn)

Published by  
Infineon Technologies Austria AG  
9500 Villach, Austria

© 2016 Infineon Technologies AG.  
All Rights Reserved.

### Please note!

THIS DOCUMENT IS FOR INFORMATION PURPOSES ONLY AND ANY INFORMATION GIVEN HEREIN SHALL IN NO EVENT BE REGARDED AS A WARRANTY, GUARANTEE OR DESCRIPTION OF ANY FUNCTIONALITY, CONDITIONS AND/OR QUALITY OF OUR PRODUCTS OR ANY SUITABILITY FOR A PARTICULAR PURPOSE. WITH REGARD TO THE TECHNICAL SPECIFICATIONS OF OUR PRODUCTS, WE KINDLY ASK YOU TO REFER TO THE RELEVANT PRODUCT DATA SHEETS PROVIDED BY US. OUR CUSTOMERS AND THEIR TECHNICAL DEPARTMENTS ARE REQUIRED TO EVALUATE THE SUITABILITY OF OUR PRODUCTS FOR THE INTENDED APPLICATION.

WE RESERVE THE RIGHT TO CHANGE THIS DOCUMENT AND/OR THE INFORMATION GIVEN HEREIN AT ANY TIME.

### Additional information

For further information on technologies, our products, the application of our products, delivery terms and conditions and/or prices, please contact your nearest Infineon Technologies office ([www.infineon.com](http://www.infineon.com)).

### Warnings

Due to technical requirements, our products may contain dangerous substances. For information on the types in question, please contact your nearest Infineon Technologies office.

Except as otherwise explicitly approved by us in a written document signed by authorized representatives of Infineon Technologies, our products may not be used in any life-endangering applications, including but not limited to medical, nuclear, military, life-critical or any other applications where a failure of the product or any consequences of the use thereof can result in personal injury.