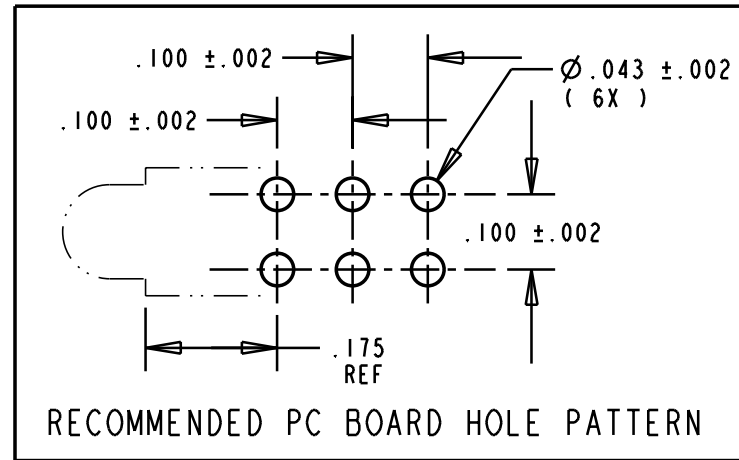
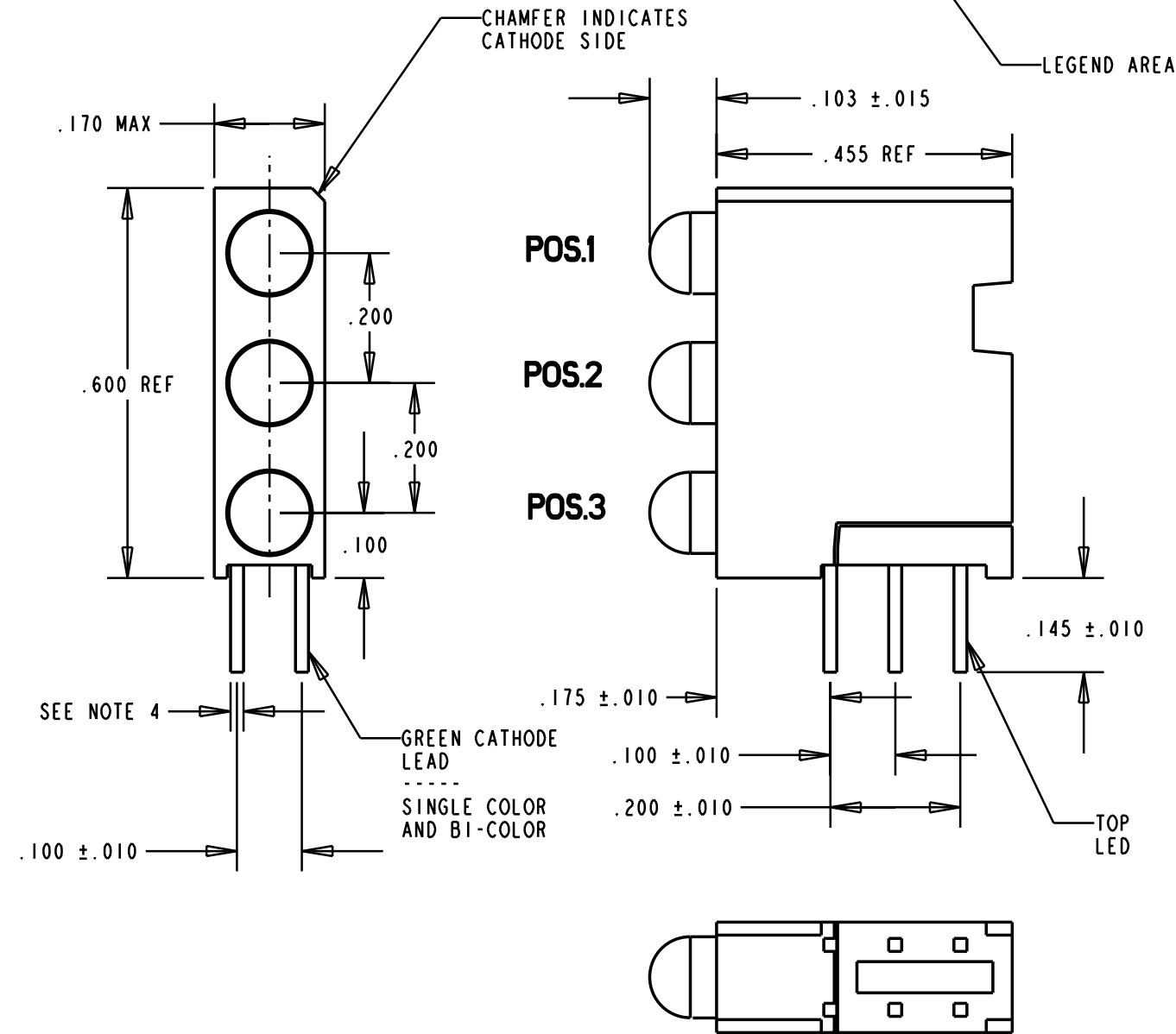
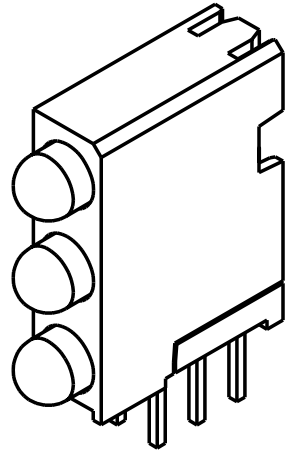


PART NUMBER and LEGEND	LED COLOR		
	POSITION 1	POSITION 2	POSITION 3
564-0700-811	GREEN NON-DIFF	GREEN NON-DIFF	YELLOW / GREEN

REV.	ECN NO.	REVISIONS	DRN.	CKD.	APP.	DATE
A	—	NEW RELEASE	DC	---	N.O.	6-19-95
B	—	CONVERTED TO NEW "BOTTOM" INSERT DESIGN.	TC			



NOTES:

- LEADS TO FIT INTO HOLES SPACED AS PER HOLE PATTERN.
- LEADS TO BE FREE OF DEFORMATION AFTER BENDING AND CUTTING
- LED LEAD DIMENSIONS SHOWN ARE MEASURED AT HOUSING EXIT
- .020 SQ. NOM. (BI-COLOR)
- DIALIGHT PART NUMBER: 564-0700-811

OPERATING CHARACTERISTICS AT  $T_A = 25^\circ\text{C}$

SYMBOL	PARAMETER	COLOR	MIN	TYP	MAX	UNITS	TEST COND.
$V_F$	FORWARD VOLTAGE	GREEN		2.3	3.0	V	$I_F = 10 \text{ mA}$
$V_R$	REVERSE VOLTAGE	ALL	5			V	$I_R = 100 \mu\text{A}$
$\lambda_{PK}$	PEAK WAVELENGTH	GREEN		565		nm	MEASURED AT PEAK
$I_V$	LUMINOUS INTENSITY	GREEN	4.2	12		mcd	$I_F = 10 \text{ mA}$

BI-COLOR LEDS  
OPERATING CHARACTERISTICS AT  $T_A = 25^\circ\text{C}$

SYMBOL	PARAMETER	COLOR	MIN	TYP	MAX	UNITS	TEST COND.
$V_F$	FORWARD VOLTAGE	YELLOW		2.1	2.8	V	$I_F = 20 \text{ mA}$
		GREEN		2.1	2.8		
$\lambda_{PK}$	PEAK WAVELENGTH	YELLOW		585		nm	
		GREEN		565			
$I_V$	LUMINOUS INTENSITY	YELLOW	2.5	4.3		mcd	$I_F = 10 \text{ mA}$
		GREEN	2.5	6.3			

THIS DRAWING AND THE CONTENTS HEREIN ARE CONFIDENTIAL AND THE SOLE PROPERTY OF DIALIGHT. REPRODUCTION OF THIS DRAWING OR CONSTRUCTION OF ANY PARTS WITHIN THIS DRAWING ARE FORBIDDEN WITHOUT THE WRITTEN CONSENT OF DIALIGHT.		
SCALE 4:1	DRAWING NUMBER	REV
ALL DIM'S IN: INCHES	C-15989	B
TOLERANCES: UNLESS OTHERWISE SPECIFIED	TITLE STANDARD 3XI CBI BLOCK	
FRACTIONS: $\pm 1/64$	MATERIAL	
DECIMALS (.XX): $\pm .020$		
DECIMALS (.XXX): $\pm .015$		
DECIMALS (.XXXX): $\pm .010$	1913 ATLANTIC AVE. MANASQUAN, N.J. 08736	
ANGLES: $\pm 1^\circ$	FSCM 83330	
FINISH:	SHEET OF	FAMILY TABLE: