

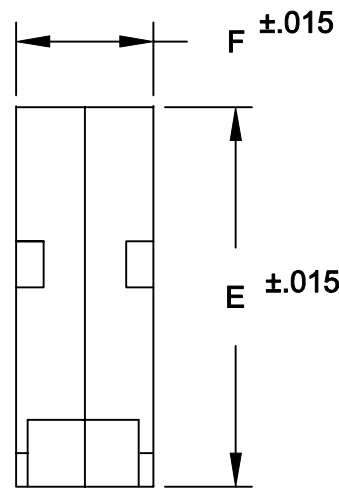
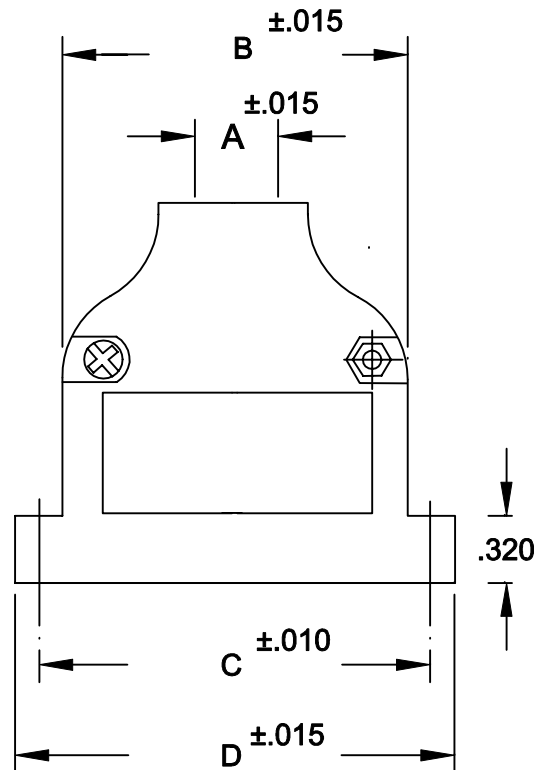
994-XXX-XXX-XX1

SERIES \_\_\_\_\_  
 POSITIONS \_\_\_\_\_  
 009 \_\_\_\_\_  
 015 \_\_\_\_\_  
 025 \_\_\_\_\_  
 MATERIAL \_\_\_\_\_  
 030 = ZINC \_\_\_\_\_  
 COLOR: \_\_\_\_\_  
 12 = NICKEL OVER COPPER \_\_\_\_\_  
 PUT-UPS \_\_\_\_\_  
 1 = KIT \_\_\_\_\_

DESCRIPTION: **994 SERIES ETHERNET STRAIGHT BACKSHELL**

**BACKSHELL KIT INCLUDES:**

- (2) BACKSHELL HALVES
- (2) HOUSING SCREWS
- (2) HOUSING NUTS



SIZE	A	B	C	D	E	F
9 POS	.433	.790	.984	1.244	1.82	.614
15 POS	.433	1.135	1.312	1.575	1.82	.665
25 POS	.433	1.640	1.852	2.106	1.82	.630

**MATERIAL: DIE-CAST ZINC ALLOY**  
**NICKEL PLATED**



THESE DRAWINGS AND SPECIFICATIONS ARE THE PROPERTY OF NorComp AND SHALL NOT BE REPRODUCED, COPIED OR USED AS THE BASIS FOR THE MANUFACTURE OR SALE OF APPARATUS WITHOUT WRITTEN PERMISSION.

DRAWN: **PAM JENKINS** DATE: **9-17-99**

CHECKED: \_\_\_\_\_ DATE: \_\_\_\_\_

**NorComp**

SCALE \_\_\_\_\_ SHEET OF \_\_\_\_\_ REV **2**

DWG NO. **994-0XX-030-121**