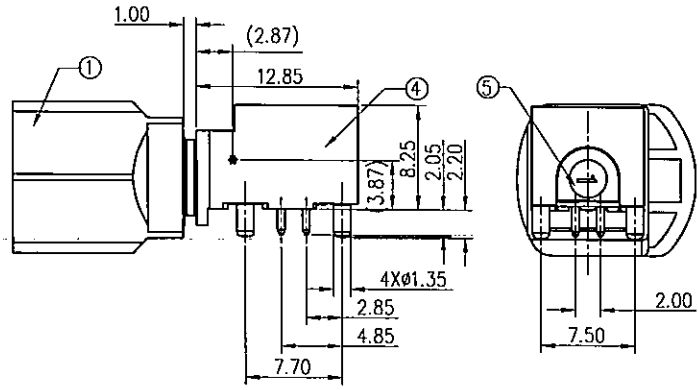
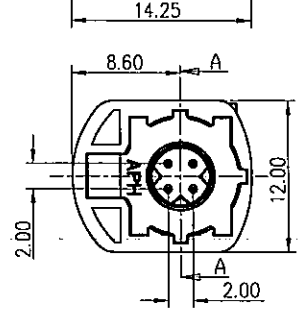
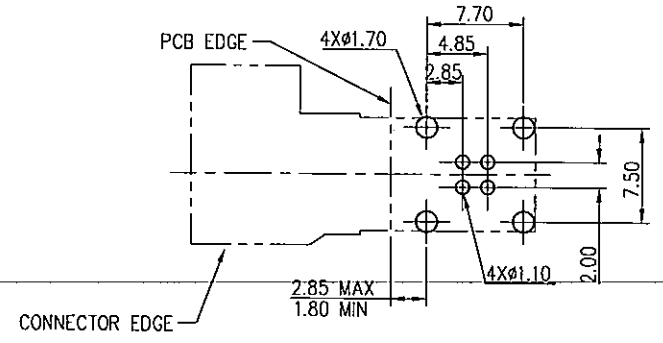
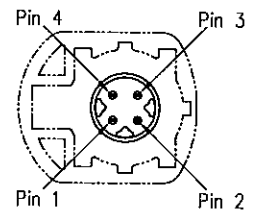
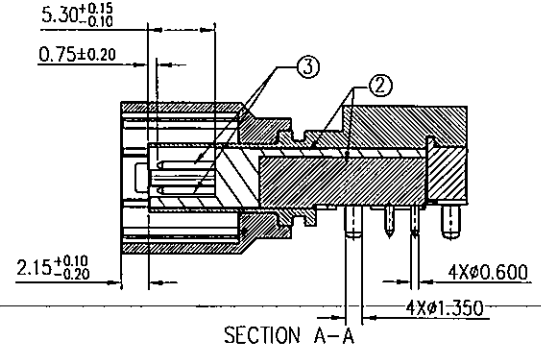
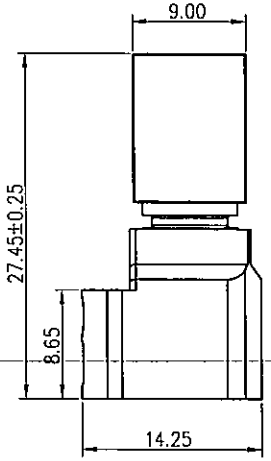


This document is the property of Amphenol Corporation and is delivered on the express condition that it is not to be disclosed, reproduced or used, in whole or in part, for manufacture or sale by anyone other than Amphenol Corporation without its prior consent, & that no right is granted to disclose or to use any information in this document.

CUSTOMER DRAWING

REVISIONS				
SYM	ECN	DESCRIPTION	DATE	APPROVED
1	HK7488	RELEASE TO CUSTOMER	11/21'16	IP



RECOMMENDED PCB LAYOUT TOP VIEW
TOLERANCE: ±0.05(PCB THICKNESS=1.6±0.15mm)

- Notes:
- Material:
 - ①Housing: High temperature thermoplastic,color see table 1.
 - ②Dielectric: High temperature thermoplastic,color black.
 - ③Center contact: Copper alloy.
 - ④Outer contact : Zinc alloy.
 - ⑤Cover: Zinc alloy.
 - Finish:
 - ③Center contact: Gold plated on mating area;
 - ④Outer contact : Tin plated.
 - This product can only be mated with R/A Type Jack.
 - RoHS compliant.
 - Order P/N system:

Table 1

Plug	Coding	Color	Ral
	A	Black	9005
	B	White	9001
	C	Blue	5005
	D	Claret	4004
	E	Green	6002
	F	Brown	8011
	Z	Waterblue	5021

Plug	Coding	Color	Ral
	G	Grey	7031
	H	Violet	4003
	J	Beige	1001
	K	Curry	1027
	L	Yellow green	6018
	M	Pastel orange	2003
	O	Light green	6027



HSD WXRPPCB 13X

Coding:
See table 1

Packing method:
A- Packing by tape & reel
B- Packing by tray
C- Single Packing

UNLESS OTHERWISE SPECIFIED TOLERANCES U.S. METRIC .X +/- 0.50 .XX +/- 0.25 .XXX +/- 0.20 FRACTIONS +/- 5' ANGLES +/-	APPROVAL	DATE	Amphenol
	DRAWN Kaka Y	11/21'16	
FOR MATERIALS AND FINISHES SEE NOTES	CHECKED <i>[Signature]</i>	CHECKED <i>[Signature]</i>	TITLE
REMOVE SHARP EDGES	DRAWING FILE: HSD WXRPPCB13X		HSD R/A PLUG LOW PROFILE CONNECTOR WEST LOCATION
DIMENSIONS U.S. INCHES METRIC MM	ANGLE OF PROJECTION	SIZE	DRAWING NO.
		A4	HSDWXRPPCB13X
		SCALE	REV.
		1:1	1
		SHEET 1 OF 1	