

# PTH12040

## 12 Vin Single Output

### Data Sheet

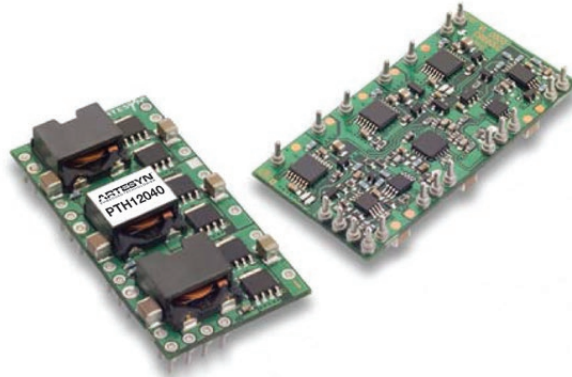
**Total Power:** 275 Watts  
**# of Outputs:** Single

### SPECIAL FEATURES

- 50 A output current
- 12 V input voltage (8 - 14 Vdc)
- Wide-output voltage adjust:  
0.8 - 5.5 Vdc
- Auto-track™ sequencing\*
- Margin up/down controls
- Efficiencies up to 96%
- Output ON/OFF inhibit
- Differential remote sense
- Programmable UnderVoltage Lockout (UVLO)
- Point-of-Load-Alliance (POLA) compatible
- RoHS compliant
- Two year warranty

### SAFETY

- UL/cUL CAN/CSA-C22.2 No. 60950-1-03/UL 60950-1, File No. E174104
- TÜV Product Service (EN60950) Certificate No B 04 06 38572 044
- CB Report and Certificate to IEC60950, Certificate No. US/8292/UL



### Electrical Specifications

Input		
Input voltage range	(See Note 3)	8 - 14Vdc
Input current	(See Note 2)	35 mA typical
Remote ON/OFF	(See Note 1)	Positive logic
Start-up time		1 V/ms
Undervoltage lockout	(See Note 8)	6.6 - 7.5 V typical
Track input voltage	Pin 18 (See Note 7)	-0.13 mA
Output		
Voltage adjustability		0.8 - 5.5 Vdc
Setpoint accuracy	(See Note 1)	±2.0% Vo
Line regulation		±5 mV typical
Load regulation		±5 mV typical
Total regulation	(See Note 1)	±3.0% Vo
Minimum load		0 A
Ripple and noise	20 MHz bandwidth	15 mV typical
Transient response	(See Note 4)	70 μs recovery time Overshoot/undershoot 150 mV
Margin adjustment	(See Note 7)	±5.0% Vo

All specifications are typical at nominal input, full load at 25 °C unless otherwise stated.  
Cin = 1000 μF, Cout = 660 μF.

\*Auto-track is a trademark of Texas Instruments.

### General Specifications

Efficiency		See Efficiency Table
Insulation voltage		Non-isolated
Switching frequency		1.05 MHz
Approvals and standards		EN60950, UL/cUL60950
Material flammability		UL94V-0
Dimensions	L x W x H	51.94 x 26.54 x 9.07 mm 2.045 x 1.045 x 0.357 in
Weight		17 g (0.60 oz)
MTBF	Telcordia SR-332	2,500,000 hours

### EMC Characteristics

Electrostatic discharge	EN61000-4-2, IEC801-2
Conducted immunity	EN61000-4-6
Radiated immunity	EN61000-4-3

### Environmental Specifications

Thermal performance (See Note 2)	Operating ambient temperature Non-operating temperature	-40 °C to +85 °C -40 °C to +125 °C
MSL ('Z' suffix only)	JEDEC J-STD-020C	Level 3
<b>Protection</b>		
Short-circuit	Auto reset	95 A typical
Thermal		Auto recovery

### Ordering Information

Model Number <sup>(9)</sup>	Output Power (Max.)	Input Voltage	Output Voltage	Output Current (Min.)	Output Current (Max.)	Efficiency (Typical)	Regulation	
							Line	Load
PTH12030W	275 W	8 - 14 Vdc	0.8 - 5.5 Vdc	0 A	50 A	96%	±5 mV	±5 mV

### Part Number System with Options

Product Family	Input Voltage	Output Current	Mechanical Package	Output Voltage Code	Pin Option <sup>(8)</sup>	Mounting Options
<b>PTH</b>	<b>12</b>	<b>04</b>	<b>0</b>	<b>W</b>	<b>A</b>	<b>S</b>
Point-of-Load Alliance compatible	12 = 12 V	04 = 50 A	Always 0	W = Wide		D = Horizontal through-hole (RoHS 6/6) Z = Surface-mount solder ball (RoHS 6/6)

### Output Voltage Adjustment

The ultra-wide output voltage trim range offers major advantages to users who select the PTH12040W. It is no longer necessary to purchase a variety of modules in order to cover different output voltages. The output voltage can be trimmed in a range of 0.8 Vdc to 1.8 Vdc. When the PTH12040W converter leaves the factory the output has been adjusted to the default voltage of 0.8 V.

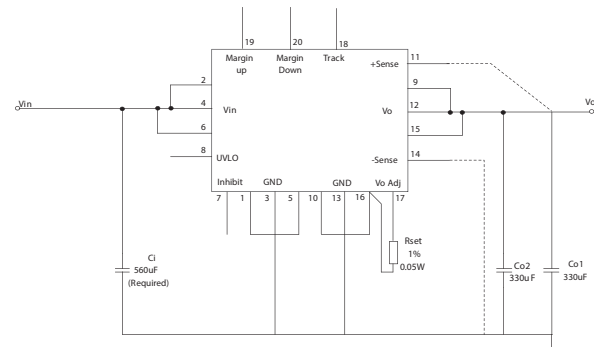
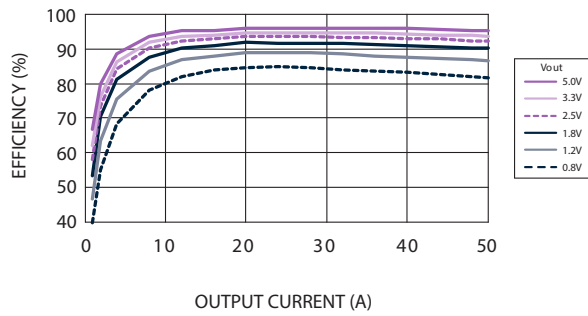
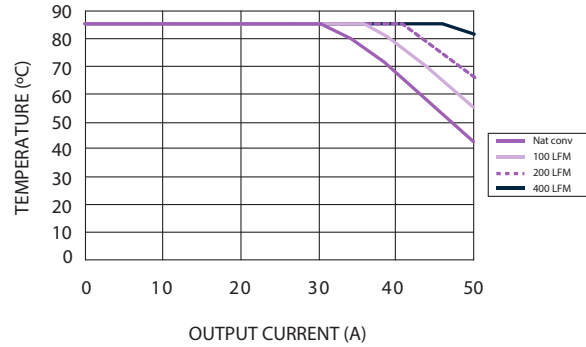
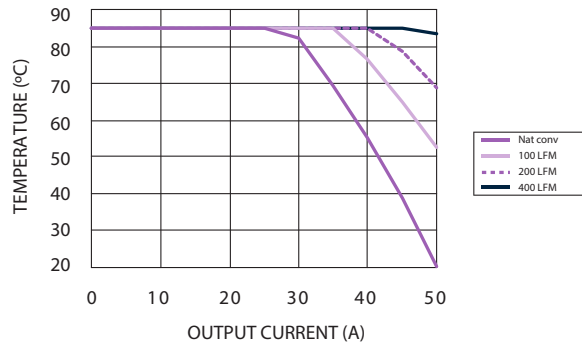
#### Notes:

- The set-point voltage tolerance is affected by the tolerance and stability of RSET. The stated limit is unconditionally met if RSET has a tolerance of 1% with 100 ppm/°C or better temperature stability.
- This control pin has an internal pull-up to 5V nominal. If it is left open-circuit the module will operate when input power is applied. A small low leakage (<100 nA) MOSFET is recommended for control. For further information, consult the related application note. For further information, consult Application Note 193.
- A 1000 µF input capacitor is required for proper operation. The capacitor must be rated for a minimum of 300 mA rms of ripple current.
- This is with a 1 A/µs loadstep, 50 to 100% I<sub>o max</sub>, I<sub>o</sub> = 680 µF.
- See Figures 1 and 2 for safe operating curves.
- When the set-point voltage is adjusted higher than 3.6 V, a 10V minimum input voltage is recommended.
- A small low-leakage (<100 nA) MOSFET is recommended to control this pin. The open circuit voltage is less than 1 Vdc.
- These are the default voltages. They may be adjusted using the 'UVLO Prog' control input. Consult Application Note No. 193 for further information.
- NOTICE:** Some models do not support all options. Please contact your local Artesyn representative or use the on-line model number search tool at <http://www.artesyn.com/power> to find a suitable alternative.

Efficiency Table: PTH12040W (I<sub>o</sub> = 35 A)

Output Voltage	Efficiency
V <sub>o</sub> = 5.0 V	96%
V <sub>o</sub> = 3.3 V	95%
V <sub>o</sub> = 2.5 V	93%
V <sub>o</sub> = 2.0V	92%
V <sub>o</sub> = 1.8 V	91%
V <sub>o</sub> = 1.5 V	90%
V <sub>o</sub> = 1.2 V	88%
V <sub>o</sub> = 1.0 V	86%
V <sub>o</sub> = 0.8 V	82%

Characteristic Data

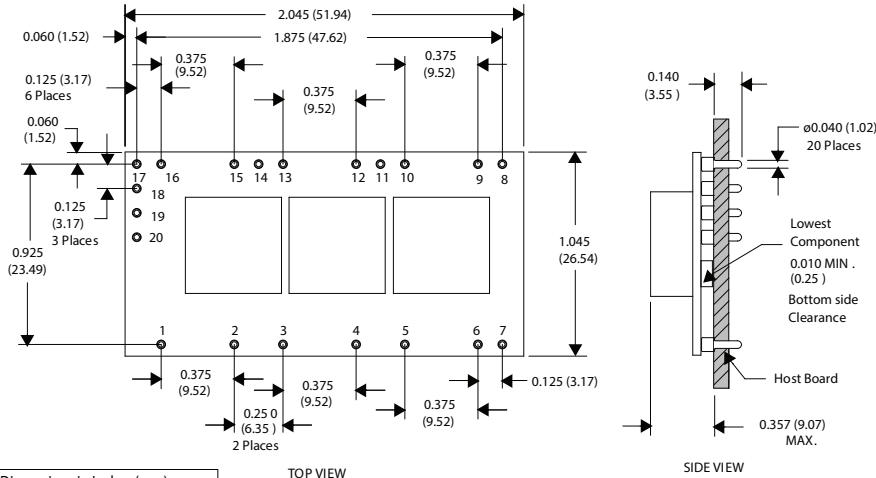


Notes:

- A. SOA curves represent the conditions at which internal components are within the Artesyn derating guidelines.
- B. Characteristic data has been developed from actual products tested at 25 °C. This data is considered typical data for the converter.

## Mechanical Drawings

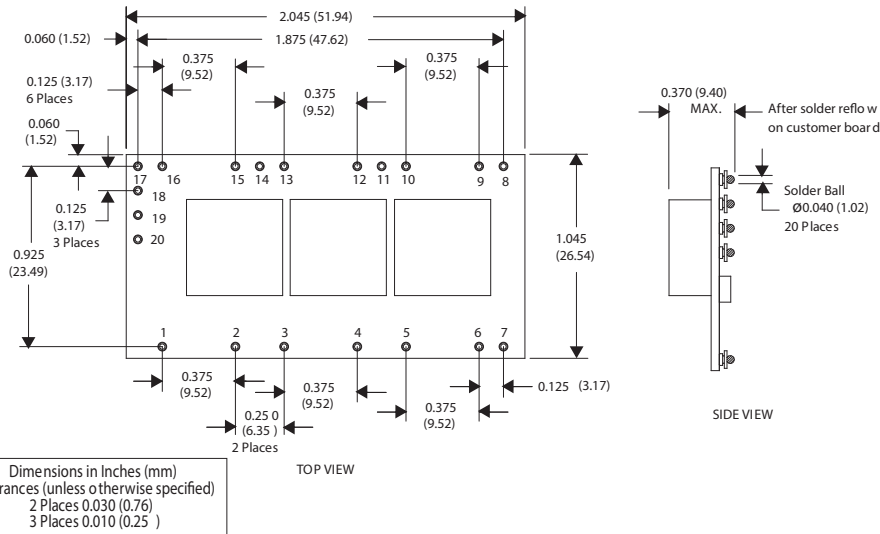
### Plated through-hole



Pin Assignments	
Pin	Function
1	Ground
2	Vin
3	Ground
4	Vin
5	Ground
6	Vin
7	Inhibit*
8	UVLO Programming
9	Vout
10	Ground
11	Vs+
12	Vout
13	Ground
14	Vs-
15	Vout
16	Ground
17	Adjust
18	Track
19	Margin up*
20	Margin down*

\*Denotes negative logic:  
Open = Normal operation  
Ground = Function active

### Surface-mount



## WORLDWIDE OFFICES

### Americas

2900 S.Diablo Way  
Tempe, AZ 85282  
USA  
+1 888 412 7832

### Europe (UK)

Waterfront Business Park  
Merry Hill, Dudley  
West Midlands, DY5 1LX  
United Kingdom  
+44 (0) 1384 842 211

### Asia (HK)

14/F, Lu Plaza  
2 Wing Yip Street  
Kwun Tong, Kowloon  
Hong Kong  
+852 2176 3333

**ARTESYN**  
EMBEDDED TECHNOLOGIES

www.artesyn.com

While every precaution has been taken to ensure accuracy and completeness in this literature, Artesyn Embedded Technologies assumes no responsibility, and disclaims all liability for damages resulting from use of this information or for any errors or omissions. Artesyn Embedded Technologies, Artesyn and the Artesyn Embedded Technologies logo are trademarks and service marks of Artesyn Embedded Technologies, Inc. All other names and logos referred to are trade names, trademarks, or registered trademarks of their respective owners. © 2015 Artesyn Embedded Technologies, Inc.

For more information: [www.artesyn.com/power](http://www.artesyn.com/power)  
For support: [productsupport.ep@artesyn.com](mailto:productsupport.ep@artesyn.com)