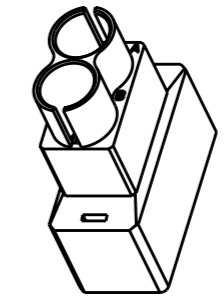
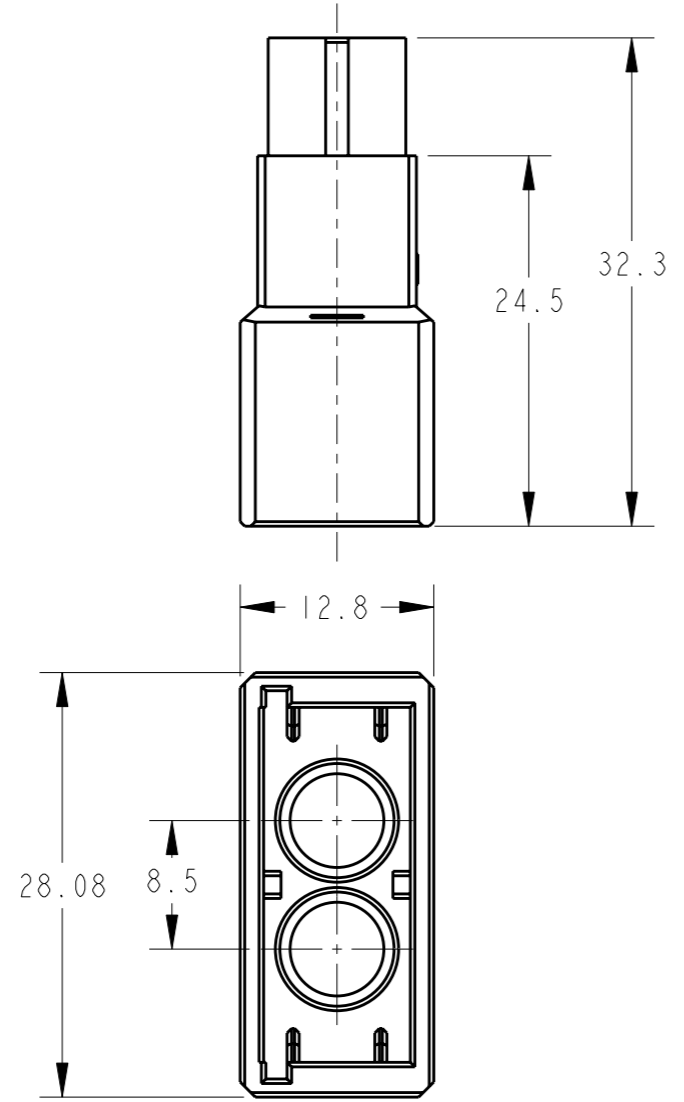


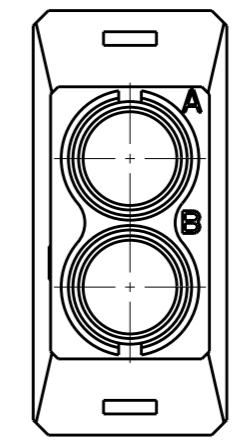
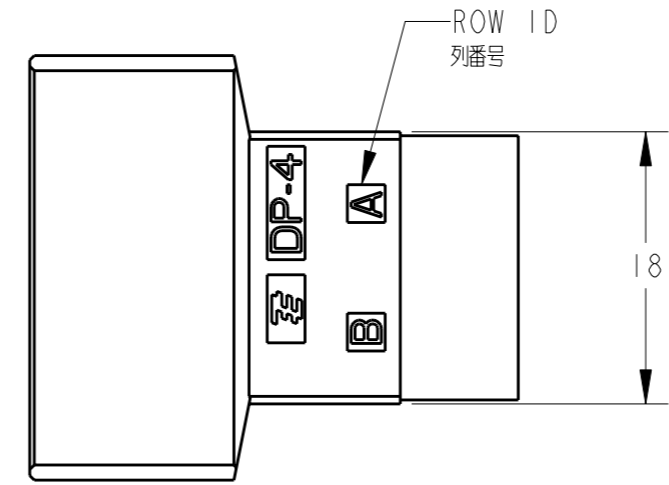
THIS DRAWING IS UNPUBLISHED. RELEASED FOR PUBLICATION 20
 © COPYRIGHT 20 BY TYCO ELECTRONICS CORPORATION. ALL RIGHTS RESERVED.

LOC	DIST	REVISIONS				
P	LTR	DESCRIPTION	DATE	DWN	APVD	
J	-	B	REVISED PER ECR-10-013235	09JUL2010	HMR	TM

AS SHOWN: 1903305-1



スケール 1:1



- 注記
1. 材料:ハウジング:ガラス入り熱可塑性(94V-0)、色:黒
 2. 嵌合コンタクト:オスコンタクト:P/No:1903100-1
:メスコンタクト:P/No:1903289-1
 3. 嵌合ハウジング:プラグハウジング2P:P/No:1903105-1

- NOTE
1. MATERIAL:HOUSING:GLASS FILED THERMO PLASTIC POLYESTER(94V-0)
COLOR:BLACK
 2. MATE CONTACT:MALE CONTACT P/No:1903100-1
:FEMALE CONTACT P/No:1903289-1
 3. MATE HSG:PLUG HSG 2P:P/No:1903105-1

THIS DRAWING IS A CONTROLLED DOCUMENT FOR TYCO ELECTRONICS CORPORATION IT IS SUBJECT TO CHANGE AND THE CONTROLLING ENGINEERING ORGANIZATION SHOULD BE CONTACTED FOR THE LATEST REVISION.		DWN T. Sakamoto 27OCT2006	Tyco Electronics AMP K.K. Kawasaki, Japan	
DIMENSIONS: mm		CHK D. Mitsugi 27OCT2006	NAME	
TOLERANCES UNLESS OTHERWISE SPECIFIED: 0 PLC ± ±0.4 1 PLC ± ±1° 2 PLC ± ±1° 3 PLC ± ±1° 4 PLC ± ±1° ANGLES ± ±		APVD D. Mitsugi 27OCT2006	CAP HSG 2P F/H PNEUMATIC CONNECTOR	
MATERIAL -		PRODUCT SPEC 108-78406	SIZE A3	RESTRICTED TO
FINISH -		APPLICATION SPEC -	CAGE CODE 00779	OF
		WEIGHT -	DRAWING NO C-1903305	REV B
		CUSTOMER DRAWING	SCALE 2:1	SHEET