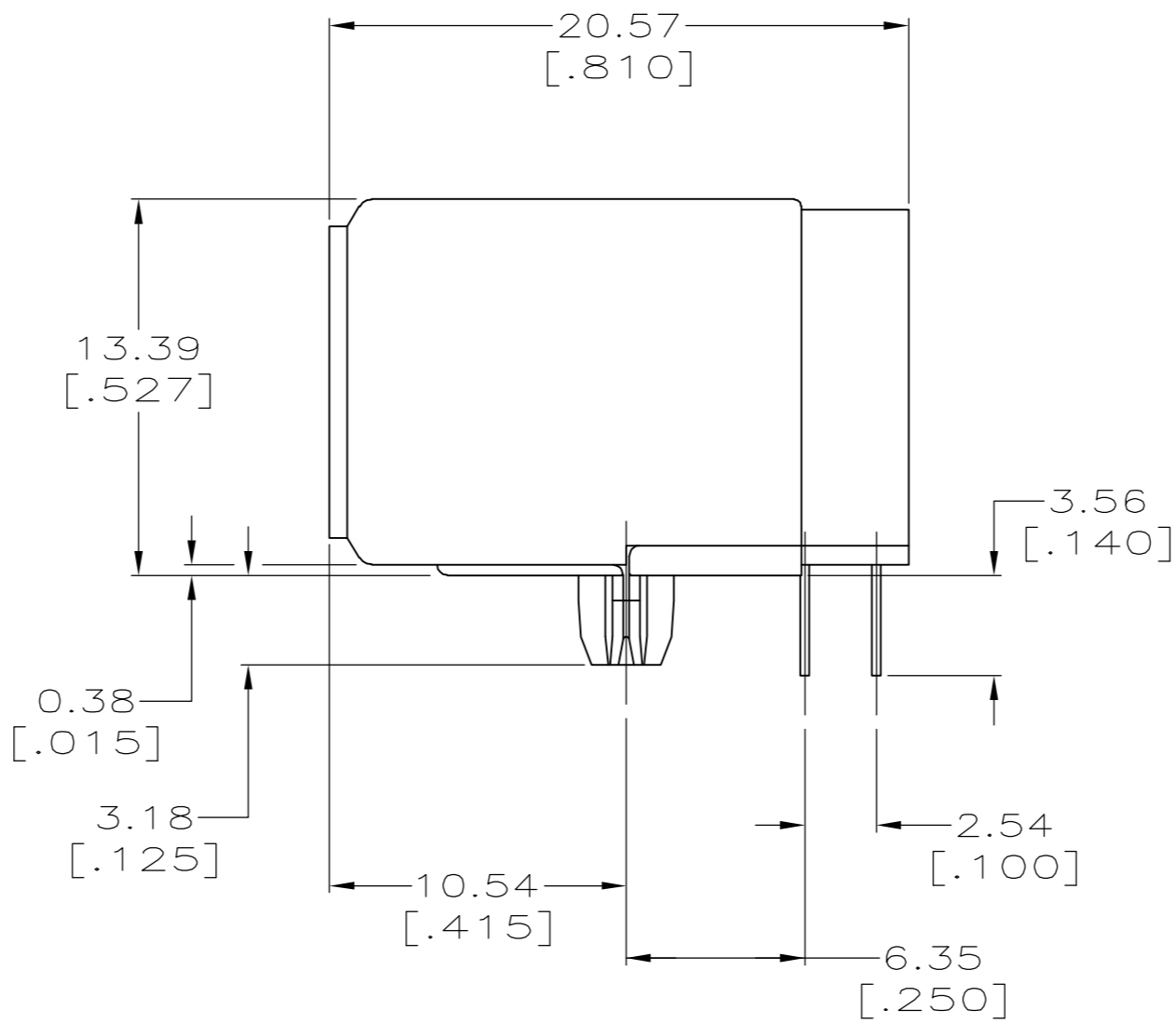
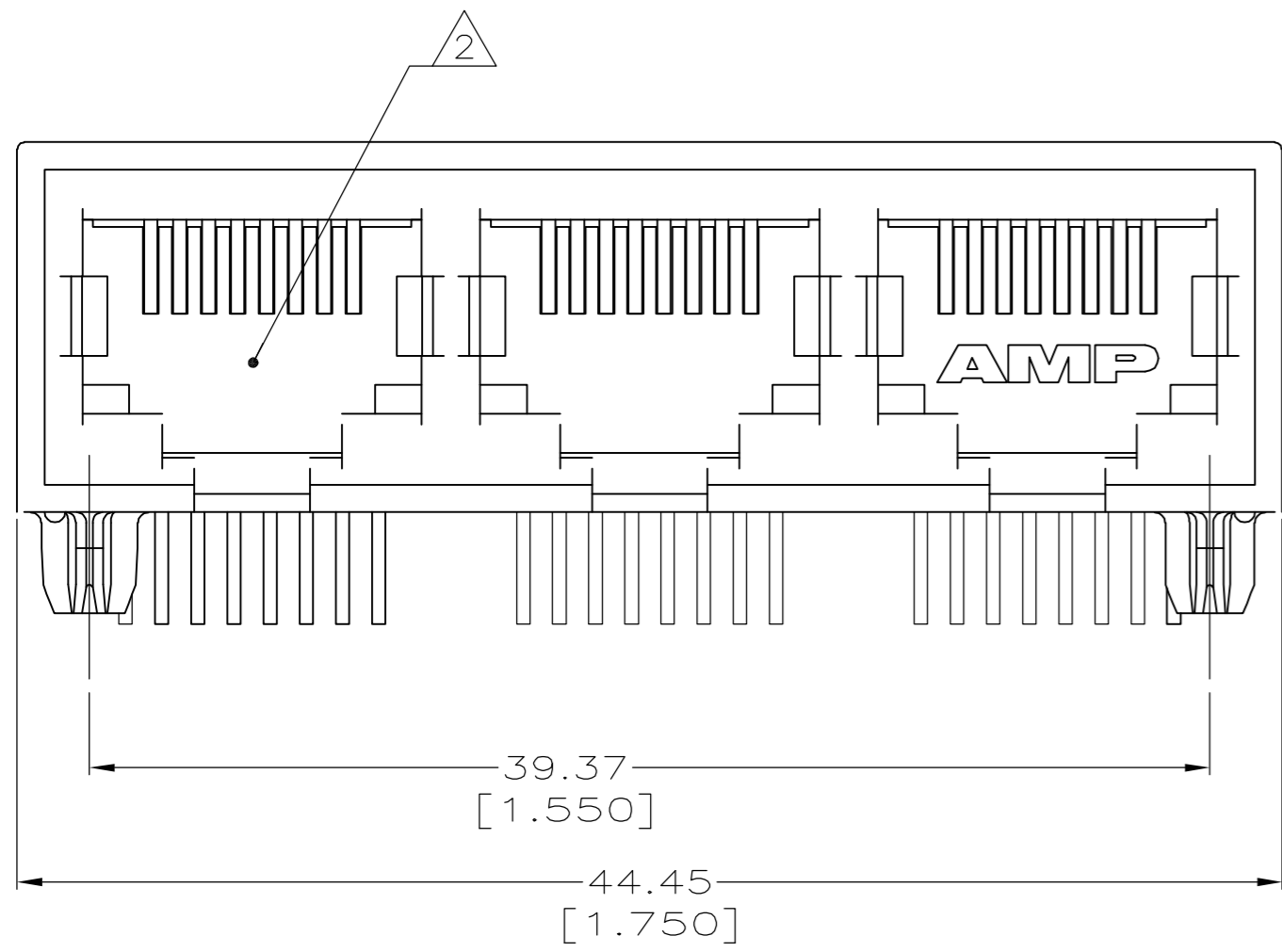


THIS DRAWING IS UNPUBLISHED. RELEASED FOR PUBLICATION
 © COPYRIGHT BY TYCO ELECTRONICS CORPORATION. ALL RIGHTS RESERVED.

LOC	DIST	REVISIONS					
AA	22	P	LTR	DESCRIPTION	DATE	DWN	APVD
		A		REV PER EC 0S11-0201-04	06JUN2005	LV	SF

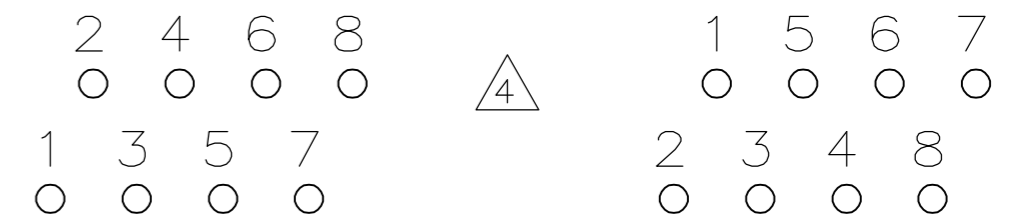


⚠ MATERIAL: HOUSING – PCT POLYESTER, BLACK, IR COMPATIBLE, UL 94V-0.
 TERMINALS – 0.33[.013] THICK PHOSPHOR BRONZE PLATED WITH 1.27 μ m[.000050] MINIMUM THICK HARD GOLD ON LOCALIZED AREA AND 3.81 μ m[.000150] MINIMUM THICK MATTE TIN IN SOLDER AREA OVER 1.27 μ m[.000050] MINIMUM THICK NICKEL UNDERPLATE.

⚠ JACK CAVITY CONFORMS TO FCC RULES AND REGULATIONS, PART 68 SUBPART F.

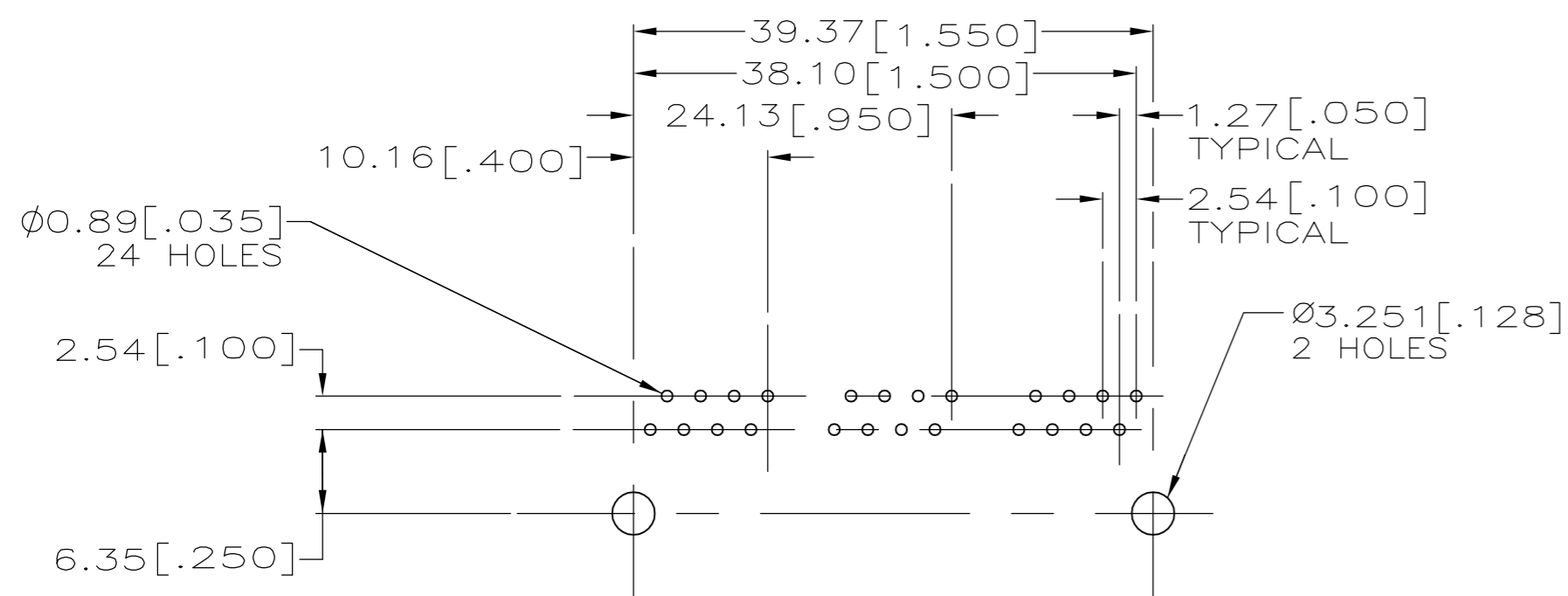
3. ALL DIMENSIONS ARE NOMINAL UNLESS OTHERWISE SPECIFIED.

⚠ CAUTION: CATEGORY 5 JACK SOLDERTAIL POSITIONS DO NOT FOLLOW SAME NUMBER SEQUENCE AS THAT OF THE TRADITIONAL JACKS.

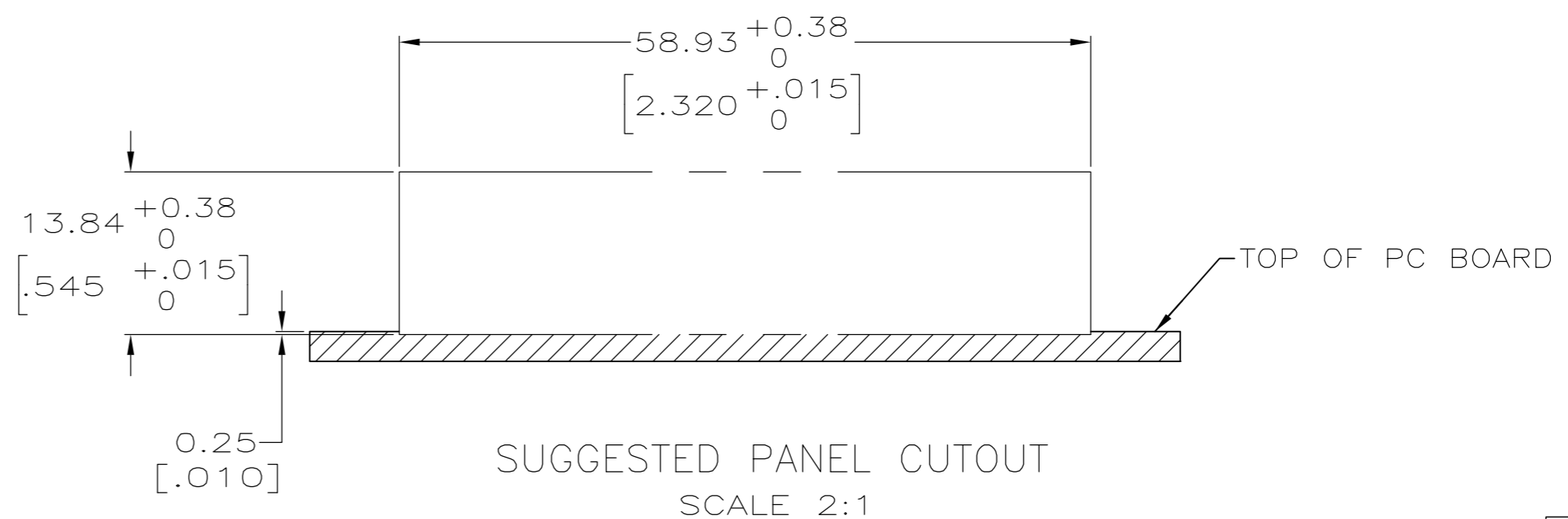


TRADITIONAL JACK

CATEGORY 5 JACK



SUGGESTED PC BOARD LAYOUT
 (COMPONENT SIDE)
 SEE APPLICATION SPECIFICATION
 SCALE 2:1



SUGGESTED PANEL CUTOUT
 SCALE 2:1

5569350-1
 PART NUMBER

THIS DRAWING IS A CONTROLLED DOCUMENT.		DWN L. VARELA - DOCK5 06JUN2005	tyco Tyco Electronics Corporation Harrisburg, Pa 17105-3608	
DIMENSIONS: mm [INCHES]		CHK J. WESTMAN 06JUN2005	NAME S. FLICKINGER	
TOLERANCES UNLESS OTHERWISE SPECIFIED: 0 PLC ± - 1 PLC ± - 2 PLC ± 0.25[.01] 3 PLC ± 0.13[.005] 4 PLC ± - ANGLES ± - FINISH		APVD S. FLICKINGER 06JUN2005	PRODUCT SPEC 108-1392	
MATERIAL		APPLICATION SPEC 114-2048	SIZE A2	CAGE CODE 00779
		WEIGHT -	DRAWING NO C=5569350	
		CUSTOMER DRAWING		RESTRICTED TO -
		SCALE 1:1	SHEET 1 OF 1	REV A