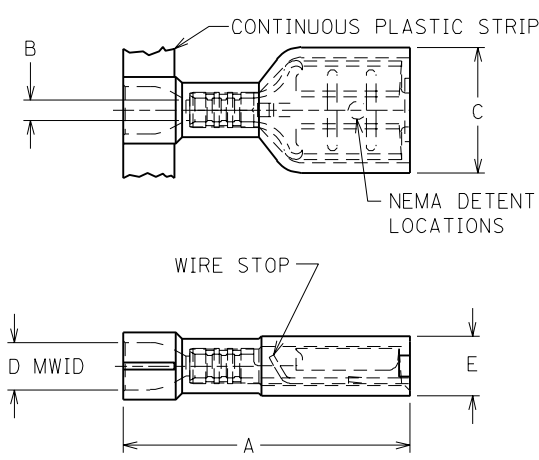


MOLEX-ETC PART NO.	INS. COLOR	WIRE RANGE AWG	FITS MALE TAB SIZE	STOCK THICK.	"A" MAX.	"B" MIN.	"C" MAX.	"D" MWID	"E" MAX.	CARRIER CONFIGURATION	INSULATION MATERIAL		
M-2212	YELLOW	26-24	.250x.032	.016	.86	.030	.380	.075	.180	SEE NOTE 3	94V-2 6/6 NYLON		
M-2210	YELLOW	26-24	.187x.020	.016	.78	.030	.316	.075	.160				
M-2211	YELLOW	26-24	.187x.032	.016	.78	.030	.316	.075	.160				
M-2213	YELLOW	26-24	.110x.020	.012	.78	.034	.230	.095	.150				
AA-2201	RED	22-18	.250x.032	.016	.86	.058	.380	.135	.180				
AA-2213	RED	22-18	.205x.020	.016	.78	.058	.316	.135	.160				
AA-2214	RED	22-18	.205x.032	.016	.78	.058	.316	.135	.160				
AA-2202	RED	22-18	.187x.020	.016	.78	.058	.316	.135	.160				
AA-2203	RED	22-18	.187x.032	.016	.78	.058	.316	.135	.160				
AA-2204	RED	22-18	.110x.020	.012	.78	.058	.230	.135	.150				
AA-2205	RED	22-18	.110x.032	.012	.78	.058	.230	.135	.150				
BB-2206	BLUE	16-14	.250x.032	.016	.86	.083	.380	.160	.180				
BB-2215	BLUE	16-14	.205x.020	.016	.78	.083	.316	.160	.170				
BB-2216	BLUE	16-14	.205x.032	.016	.78	.083	.316	.160	.170				
BB-2207	BLUE	16-14	.187x.020	.016	.78	.083	.316	.160	.170				
BB-2208	BLUE	16-14	.187x.032	.016	.78	.083	.316	.160	.170				
19606-0001	YELLOW	12-10	.250x.032	.018	1.04	.120	.380	.240	.220			PLASTIC STRIP	
19606-0002	YELLOW	12-10	.250x.032	.018	1.04	.120	.380	.240	.220			LOOSE PIECE	
19606-0003	YELLOW	12-10	.250x.032	.018	1.04	.120	.380	.240	.220	TAPE MOUNT			
AA-2201VN	NATURAL	22-18	.250x.032	.016	.86	.058	.380	.135	.180	SEE NOTE 3	94V-0 6/6 NYLON		
BB-2206VB	BLACK	16-14	.250x.032	.016	.86	.083	.380	.160	.180				
C-2265VN	NATURAL	12-10	.250x.032	.018	1.04	.145	.380	.275	.290				



- MATERIAL: TERMINAL: BRASS
PLATING: ELECTRO-TIN
FERRULE: BRASS
PLATING: ELECTRO-TIN
INSULATION: NYLON 6/6 SEE CHART
COLOR: SEE CHART
- MWID = MAXIMUM WIRE INSULATION DIAMETER
- FOR CONTINUOUS PLASTIC STRIP ADD "C" TO PART NUMBER. FOR TAPE MOUNT ADD "T".

B	ADD NEW PART NUMBERS ET90049 2/5 HEB
A	ADD NEW PART NUMBERS ET80431 8/28 HEB
LTR.	REVISIONS

CUSTOMER DRAWING

DIMENSIONS SHOWN (METRIC) INCH UNLESS OTHERWISE SPECIFIED TOLERANCES: ANGULAR ± 1/2°		REVISE ONLY ON CAD SYSTEM													
<table border="1"> <thead> <tr> <th></th> <th>INCH</th> <th>METRIC</th> </tr> </thead> <tbody> <tr> <td>3 PLACE</td> <td>± .005</td> <td>± ---</td> </tr> <tr> <td>2 PLACE</td> <td>± .01</td> <td>± 0.13</td> </tr> <tr> <td>1 PLACE</td> <td>± ---</td> <td>± 0.25</td> </tr> </tbody> </table>			INCH	METRIC	3 PLACE	± .005	± ---	2 PLACE	± .01	± 0.13	1 PLACE	± ---	± 0.25	TITLE INSULKRIMP FEMALE F.I.O.D. STANDARD FLARE	
	INCH	METRIC													
3 PLACE	± .005	± ---													
2 PLACE	± .01	± 0.13													
1 PLACE	± ---	± 0.25													
DRAFT WHERE APPLICABLE MUST REMAIN WITHIN DIMENSIONS		SHEET NO. DATE 06/17/94													
DRWG. BY RCM APP'D. BY FP		PART NO. SEE CHART FILE NAME CD2905 CST THIS DRAWING CONTAINS INFORMATION THAT IS PROPRIETARY TO MOLEX-ETC INC. AND SHOULD NOT BE USED WITHOUT WRITTEN PERMISSION.													
CHK'D. BY JM SCALE NO:NE		DRWG. NO. CD-2905 DIV. ET SIZE B													