

4

3

2

1

THIS DRAWING IS UNPUBLISHED.

RELEASED FOR PUBLICATION

,19

LDC

DIST

REVISIONS

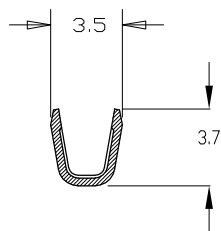
© COPYRIGHT 19

BY AMP INCORPORATED. ALL RIGHTS RESERVED.

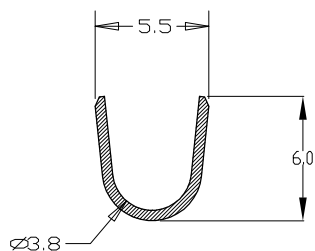
ES

00

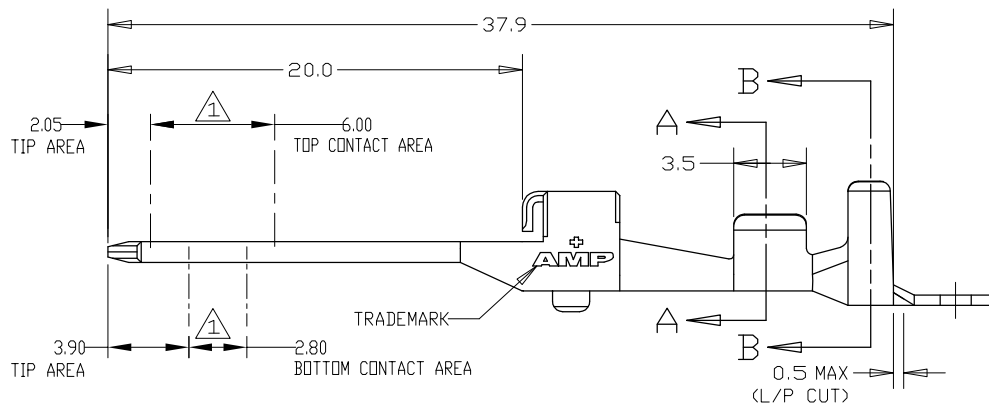
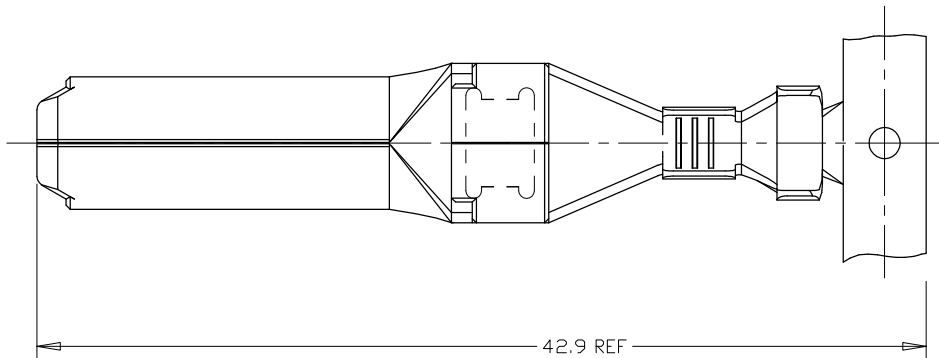
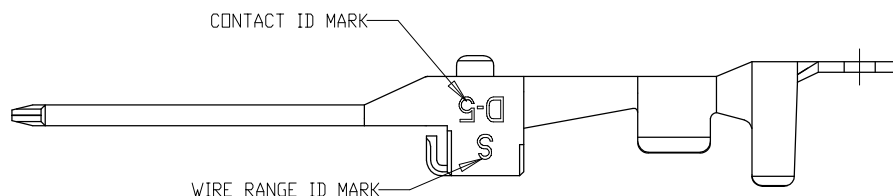
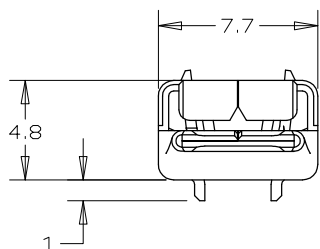
P	LTR	DESCRIPTION	DATE	DWN	APVD
B		REVISED FP00-0291-04	13DEC04	C.W	I.E



SECTION A-A



SECTION B-B



\triangle	84696-1
FINISH	PART NO.

WIRE RANGE	INSULATION DIA
1.23/2.27mm ² AWG #16/#14	3/3.8mm ϕ

NOTES:

\triangle FINISH : 0.2um MIN GOLD PLATING (CONTACT AREA) OVER Ni UNDER PLATING ALL OVER EXCEPT INSIDE OF CONTACT BOX
GOLD PLATING THK DID NOT CONTROL AT CONTACT TIP AREA

2. TOLERANCE UNLESS OTHERWISE SPECIFIED

- * ≤ 10 : ± 0.3
- 10 < * ≤ 30 : ± 0.35
- 30 < * ≤ 100 : ± 0.4
- ANGLE: $\pm 3^\circ$

THIS DRAWING IS A CONTROLLED DOCUMENT FOR AMP INCORPORATED. IT IS SUBJECT TO CHANGE AND THE CONTROLLING ENGINEERING ORGANIZATION SHOULD BE CONTACTED FOR THE LATEST REVISION.		DWN	3JAN'00	AMP	AMP MANUFACTURING (SINGAPORE) PTE. LTD.		
DIMENSIONS: mm		CHK	3JAN'00		NAME		
TOLERANCES UNLESS OTHERWISE SPECIFIED		LP TAN	31MAY'01		TAB CONTACT "S" SIZE <DYNAMIC D-5000 SERIES>		
0 PLC \pm		APVD			SIZE	CAGE CODE	DRAWING NO
1 PLC ± 0.30		WL CHOO		114-51009	A3	00779	
2 PLC ± 0.35		PRODUCT SPEC		1.93g	C=84696		
3 PLC ± 0.40		APPLICATION SPEC		CUSTOMER DRAWING	SCALE 4:1	SHEET 1 OF 1	
4 PLC ANGLES $\pm 3^\circ$		MATERIAL	FINISH			REV B	
		<COPPER ALLOY>	SEE TABLE				