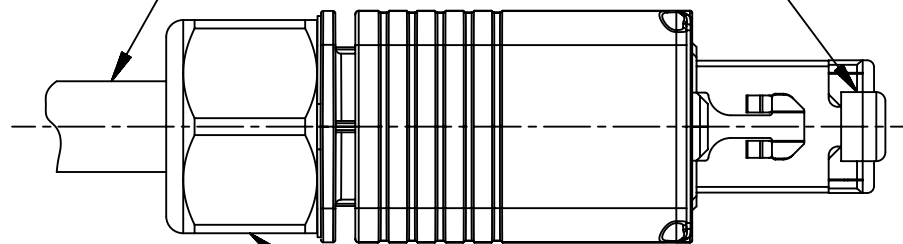


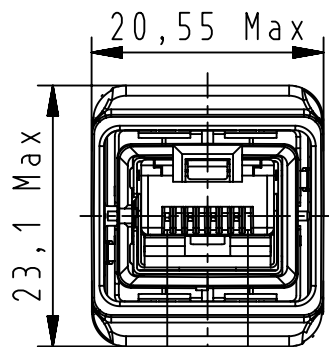
Mating face according to IEC 60603-7

Cable $\phi 4.9 - 8.6\text{mm}$

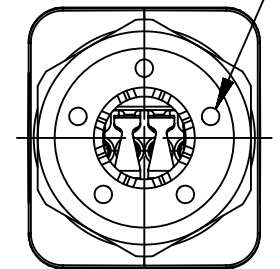
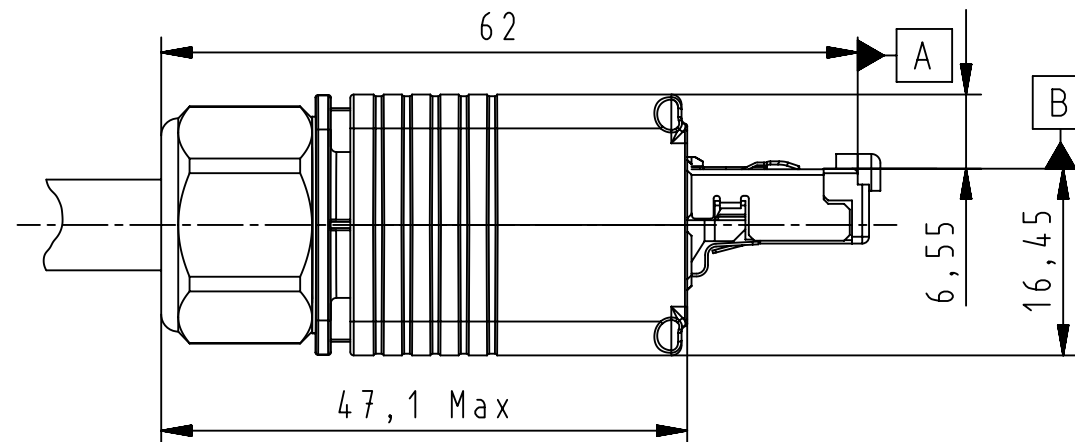


Seal + cage clamp + PG9 nut

On request:
Color coding ring for PG9 nut
TB 09 45 840 001X



Position—1 8



- For solid and stranded conductors AWG 27 up to AWG 22
- Max. wire diameter 1.5mm
- Cable diameter 4.9 to 8.6mm
- Degree of protection IP65/IP67
- Cat.6 performance class EA suitable for 1/10 Gigabit Ethernet
- Temperature range -40°C up to $+70^{\circ}\text{C}$
- 750 mating cycles

Data contact plating: Au $1.27\mu\text{m}$ ($50\mu''$) over nickel

	All rights reserved Department EC PD - FR	All Dimensions in mm Original Size DIN A4		Scale 1:1	Free size tol.	Ref.
		HARTING Electronics GmbH D-32339 Espelkamp	Created by DOUGE	Inspected by BAGDIKIAN	Standardisation HOFFMANN	Date 2013-04-02
Title HARTING PushPull RJ45 10G metal connector						Doc-Key / ECM-Nr. 100218612/UGD/001/A 500000060358
Type TB				Number 09451951560		Rev. A
						Page 1/1