

4

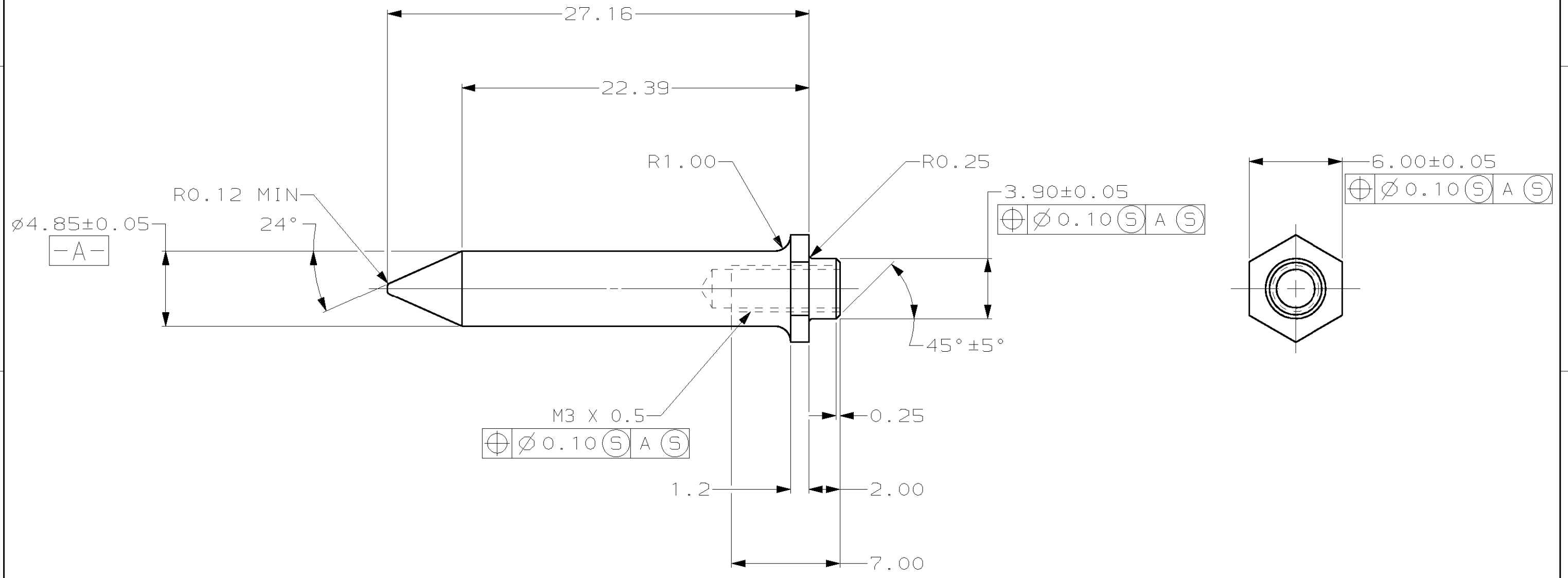
3

2

1

THIS DRAWING IS UNPUBLISHED. RELEASED FOR PUBLICATION ,19 .
 © COPYRIGHT 19 BY AMP INCORPORATED. ALL RIGHTS RESERVED.

LOC	DIST	REVISIONS			
P	LTR	DESCRIPTION	DATE	DWN	APVD
AD	47	A	REV PER EC 0U1B-0106-99	22 SEP 99	BC RP
		B	REVISED PER 0U1B-0086-00	05APR00	DKS RAP



- 1 MATERIAL: STAINLESS STEEL.
- 2 FINISH: PASSIVATE.

2	1	223988-1
FINISH	MATERIAL	PART NUMBER

THIS DRAWING IS A CONTROLLED DOCUMENT.		DWN T. SHUEY 4-28-99	AMP Incorporated Harrisburg, PA 17105-3608			
		CHK R. PATTERSON 4-28-99				
		APVD R. PATTERSON 4-28-99	NAME			
DIMENSIONS: mm 		PRODUCT SPEC	GUIDE PIN, UNIVERSAL POWER MODULE			
TOLERANCES UNLESS OTHERWISE SPECIFIED: 0 PLC ± _____ 1 PLC ± _____ 2 PLC ±0.13 3 PLC ± _____ 4 PLC ± _____ ANGLES ±0° 30'		APPLICATION SPEC				
MATERIAL	FINISH	WEIGHT	SIZE	CAGE CODE	DRAWING NO	RESTRICTED TO
1	2	-	A3	00779	C-223988	-
CUSTOMER DRAWING			SCALE	SHEET	REV	
			4:1	1 OF 1	B	