

4

3

2

1

THIS DRAWING IS UNPUBLISHED.

RELEASED FOR PUBLICATION

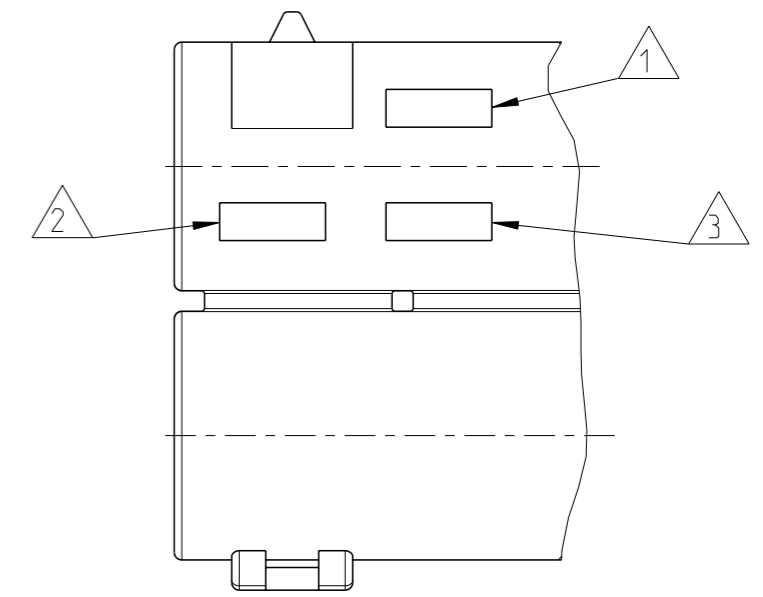
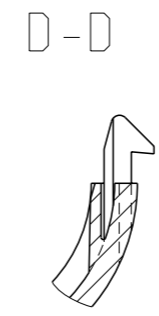
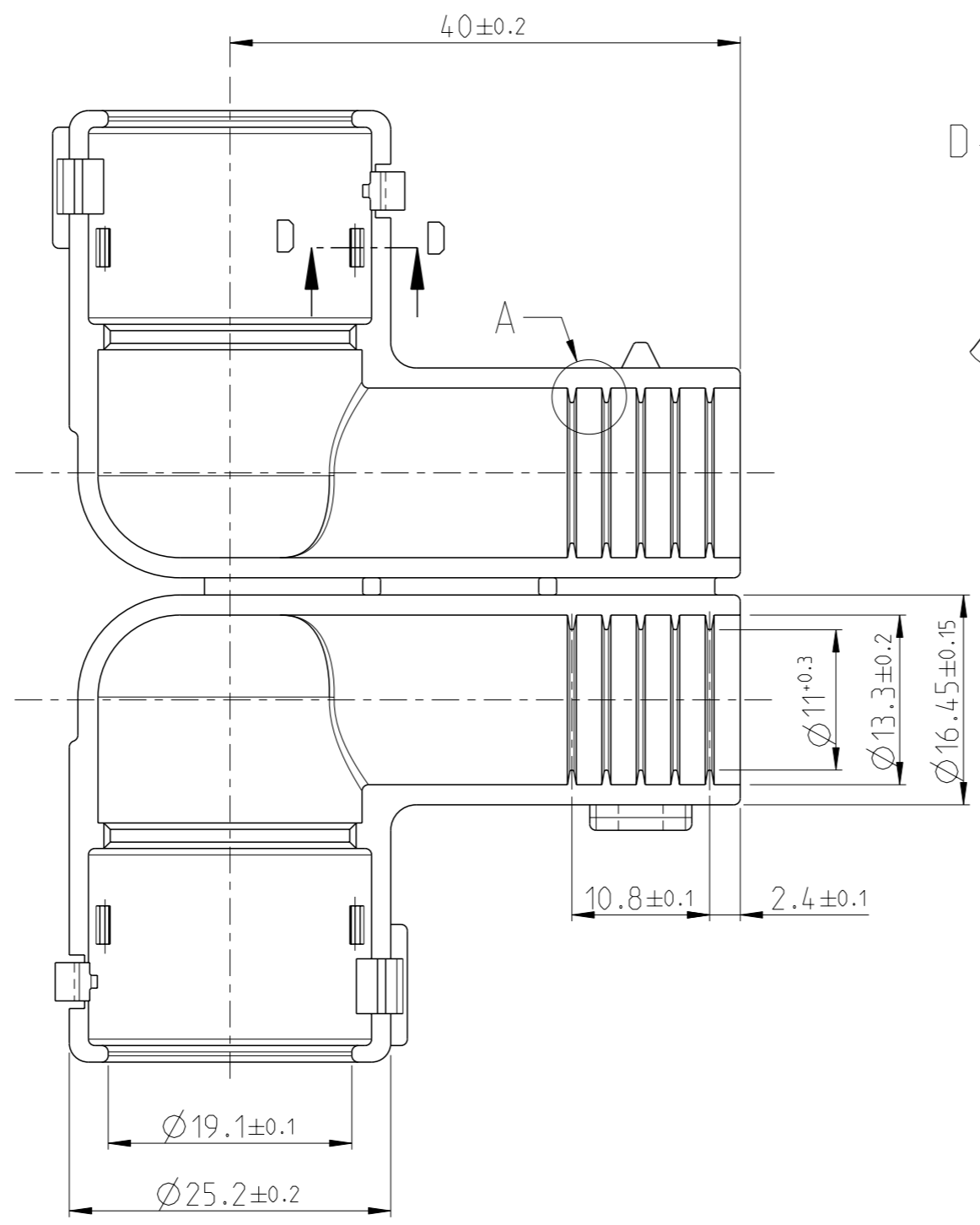
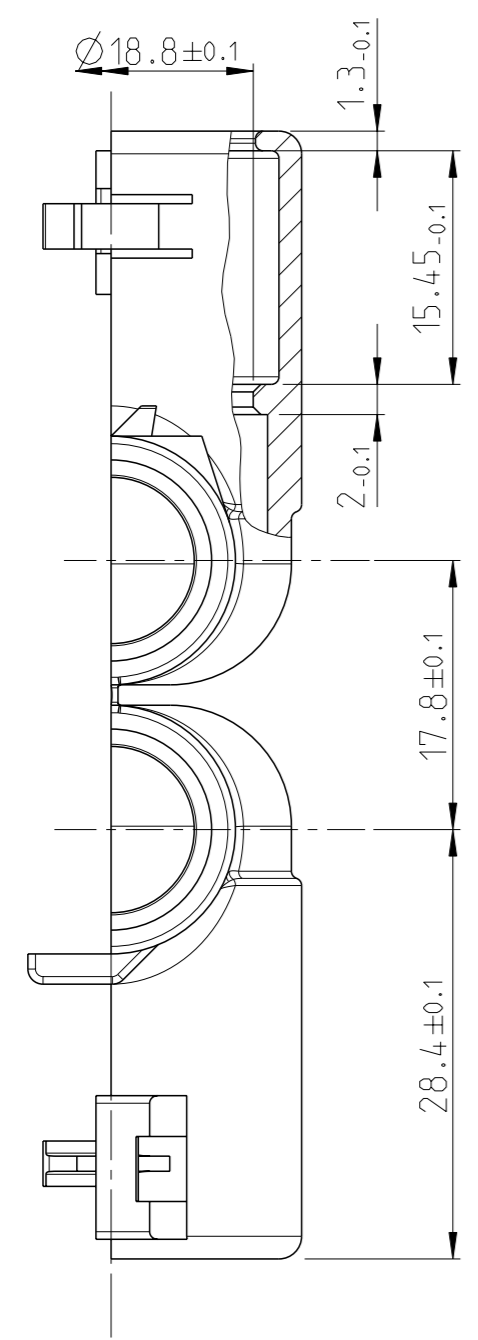
2009

© COPYRIGHT 2009

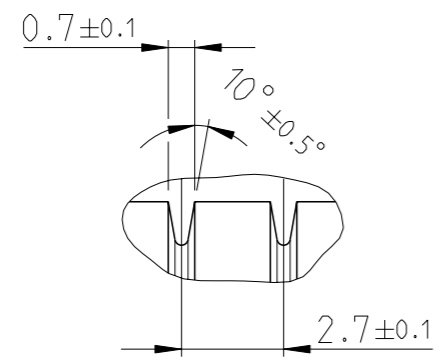
ALL RIGHTS RESERVED.

LOC	DIST
FM	1

REVISIONS					
P	LTR	DESCRIPTION	DATE	DWN	APVD
	D	EH-1552-95	19DEC1995	JVL	J.J.
	E	EH-0589-96	22MAY1996	J.Z.	J.J.
	E1	ECR-11-019959	02NOV2011	GN	GB



A
5:1



NOTES:

- 1 TRADEMARK PER SPEC. 115-19030-3
- 2 TE-IDENTIFICATION NUMBER ACC. DIN 1451 MITTLESCHRIFT, HEIGHT 1.2mm, RAISED 0.15mm
- 3 TE-MOLD IDENTIFICATION NUMBER.
- 4 MATERIAL: PBT
COLOR: BLACK

THIS DRAWING IS A CONTROLLED DOCUMENT.		DWN	J.V.LIEMPT.	10FEB1992
DIMENSIONS:		CHK	R.O.T.BERG	25FEB1992
mm		APVD	L.V.SOEST.	25FEB1992
TOLERANCES UNLESS OTHERWISE SPECIFIED:		PRODUCT SPEC		
0 PLC	±	APPLICATION SPEC		
1 PLC	±0.1	WEIGHT		
2 PLC	±0.05	-		
3 PLC	±0.005	CUSTOMER DRAWING		
4 PLC	±	SCALE 2:1		
ANGLES	±0°.30'	SHEET 1 OF 1		
MATERIAL PBT	FINISH -	REV E1		



NAME				ADAPTER 90 DEG M24/M27 VERSION	
SIZE	CAGE CODE	DRAWING NO	RESTRICTED TO		
A3	00779	C=100291	-		