

6

5

4

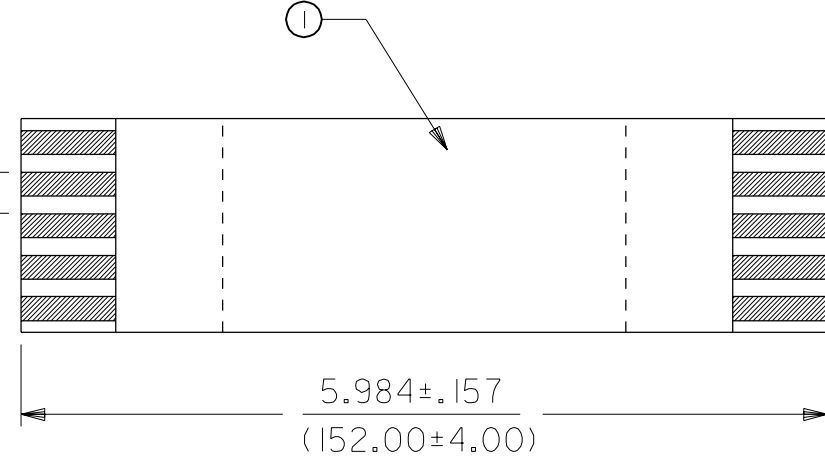
3

2

21020

ITEM	DESCRIPTION	P/N	QTY	CKT. SIZE	TEMP. RATING
①	CABLE	21020-0548	5.984"	50	L

$\frac{.020 \pm .004}{(0.50 \pm 0.10)}$



$\frac{.157 \pm .039}{(4.00 \pm 1.00)}$  TYP

$\frac{.236}{(6.00)}$  REF TYP

**NOTE:**  
NO PRINTING TO BE ALLOWED ON CABLE

REF. PRODUCT SPEC. NO. SMPS-21020

DIMENSIONS SHOWN (METRIC) INCH

UNLESS OTHERWISE SPECIFIED TOLERANCES: ANGULAR  $\pm 1/2^\circ$

	INCH	METRIC
3 PLACE	$\pm .005$	---
2 PLACE	$\pm .01$	$\pm 0.13$
1 PLACE	---	$\pm 0.25$

DRAFT WHERE APPLICABLE MUST REMAIN WITHIN DIMENSIONS

$\nabla = 0$   $\blacktriangledown = 0$

REVISE ONLY ON CAD SYSTEM

TITLE  
0.5 mm  $\varnothing$  FFC JUMPER  
STYLE TYPE "A"  
PDR UAU-000965-00-00

**molex** MOLEX INCORPORATED  
LISLE, ILL. 60532 U.S.A.

SHEET NO. 1 OF 1 DATE 02/07/10  
PART NO. 21020-0548 DRWG. NO. 21020-0548

A  
FINAL RELEASE  
ECN UAU2003-0001  
DEME0 02/07/10

DRWG. BY DRD  
CHK'D. BY TGP  
APP'D. BY RLM  
SCALE -- : --

FILE NAME 21020-0548 SO1  
THIS DRAWING CONTAINS INFORMATION THAT IS PROPRIETARY TO MOLEX INC. AND SHOULD NOT BE USED WITHOUT WRITTEN PERMISSION.  
DIV. AU SIZE A

LTR. REVISIONS LTR. REVISIONS

6

5

4

3

2

1