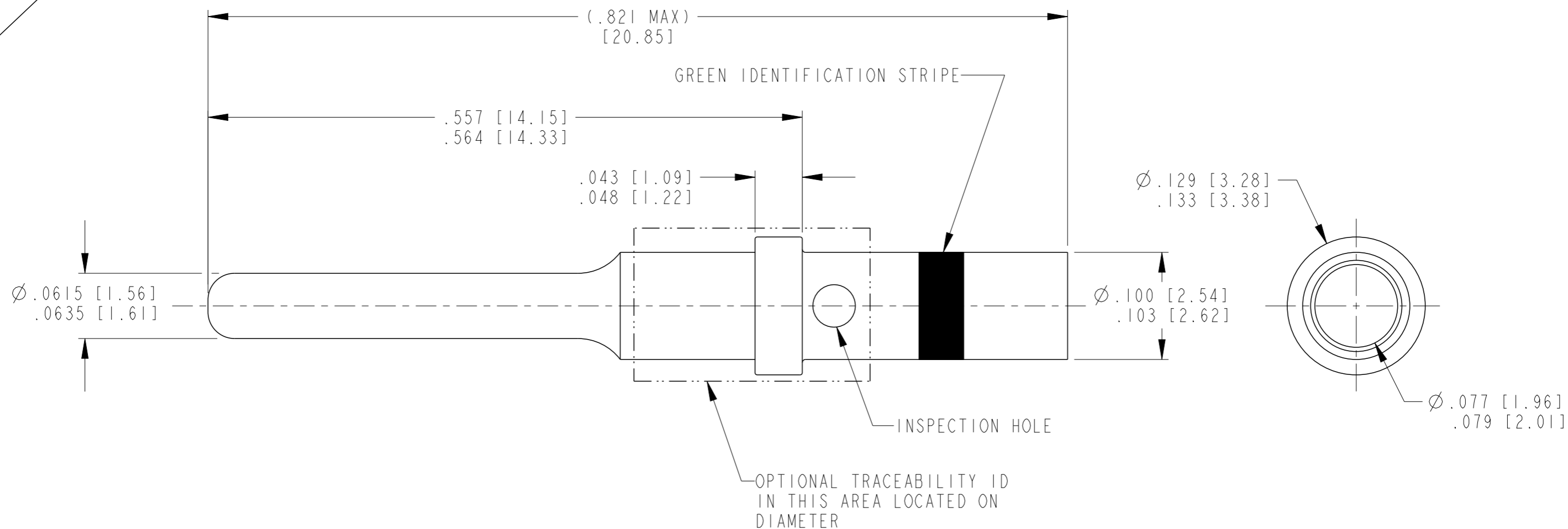
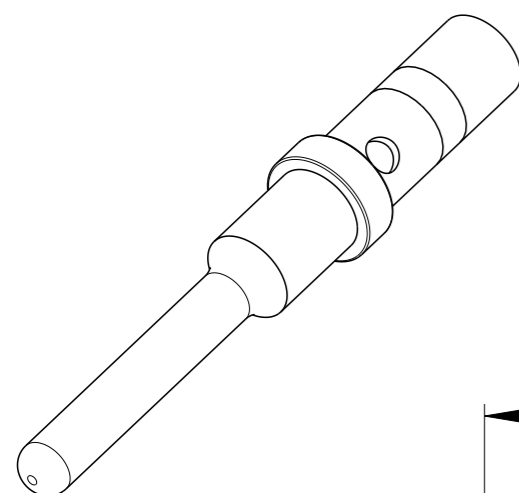


REVISIONS

P	LTR	DESCRIPTION	DATE	DWN	APVD
	E	REVISED PER PCN E-18-001206	24JAN2018	JA	DM



TE INTERNAL PN	DEUTSCH PN	PLATING
0460-215-1631	0460-215-1631	GOLD
0460-215-16141	0460-215-16141	NICKEL

THIS DRAWING IS A CONTROLLED DOCUMENT.		DWN D. SPENCER 02OCT1999														
DIMENSIONS: INCHES [mm]		CHK B. BYFORD 23JUN2000														
TOLERANCES UNLESS OTHERWISE SPECIFIED:		APVD D. MEYER 22JUN2000	NAME CONTACT, PIN SIZE 16 14 AWG WIRE [2.00mm <sup>2</sup> ]													
<table border="0"> <tr> <td>0 PLC</td> <td>±</td> </tr> <tr> <td>1 PLC</td> <td>±</td> </tr> <tr> <td>2 PLC</td> <td>±</td> </tr> <tr> <td>3 PLC</td> <td>±</td> </tr> <tr> <td>4 PLC</td> <td>±</td> </tr> <tr> <td>ANGLES</td> <td>±</td> </tr> </table>		0 PLC	±	1 PLC	±	2 PLC	±	3 PLC	±	4 PLC	±	ANGLES	±	PRODUCT SPEC 0425-015-0000	SIZE A3	
0 PLC	±															
1 PLC	±															
2 PLC	±															
3 PLC	±															
4 PLC	±															
ANGLES	±															
MATERIAL		APPLICATION SPEC 0425-205-0000	CAGE CODE 4AFU8	DRAWING NO 0460-215-16XX												
FINISH		WEIGHT 0.54g	RESTRICTED TO													
CUSTOMER DRAWING			SCALE 10:1	SHEET 1 OF 1												
			REV E													

1. WIRE RANGE : 14 AWG [2.0 mm<sup>2</sup>].

NOTES: