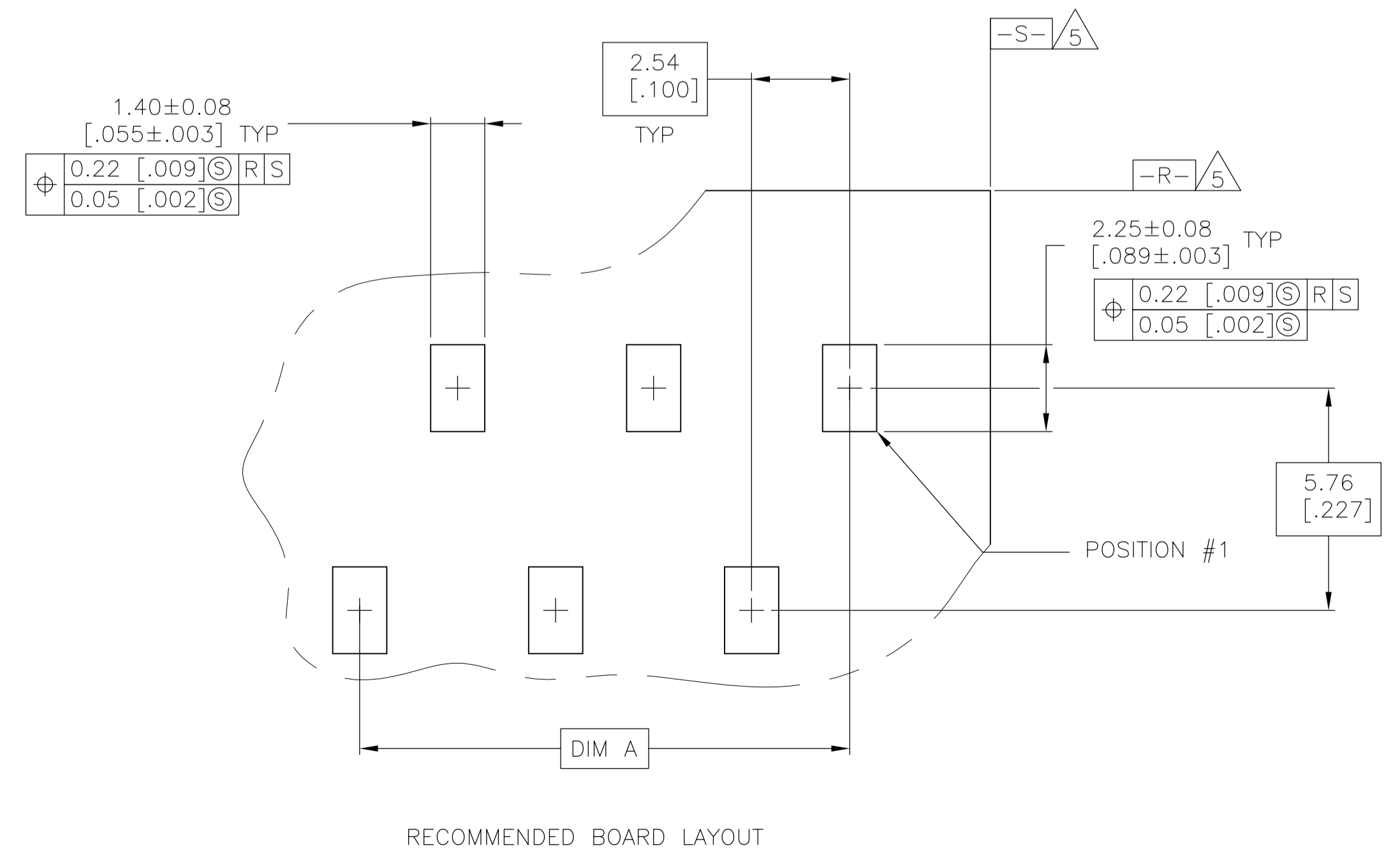
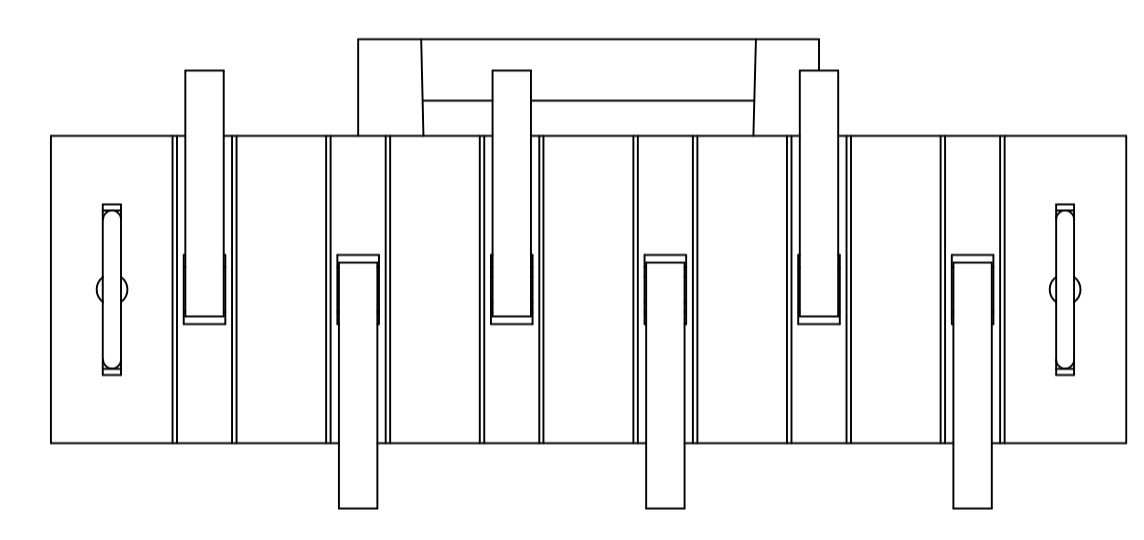
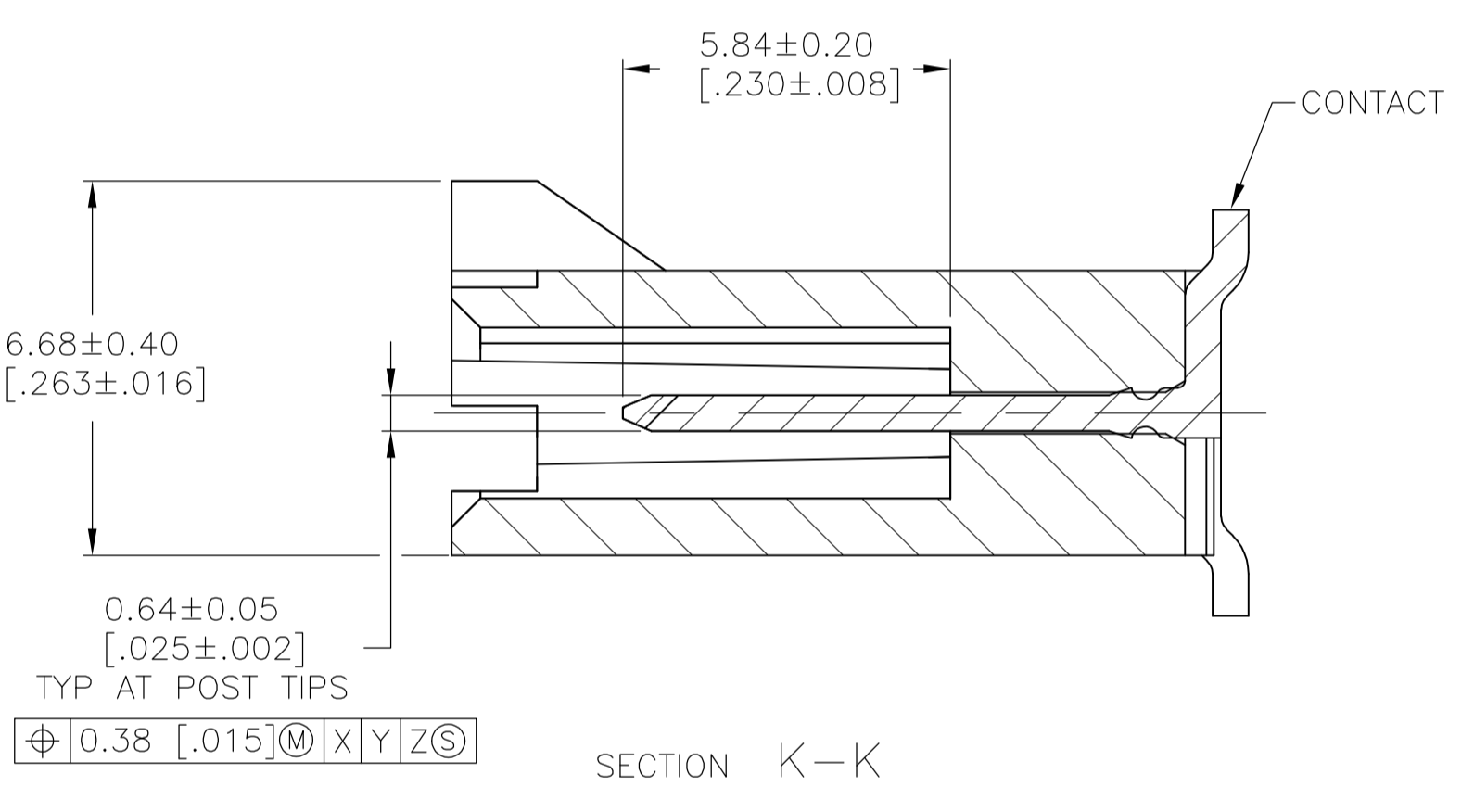
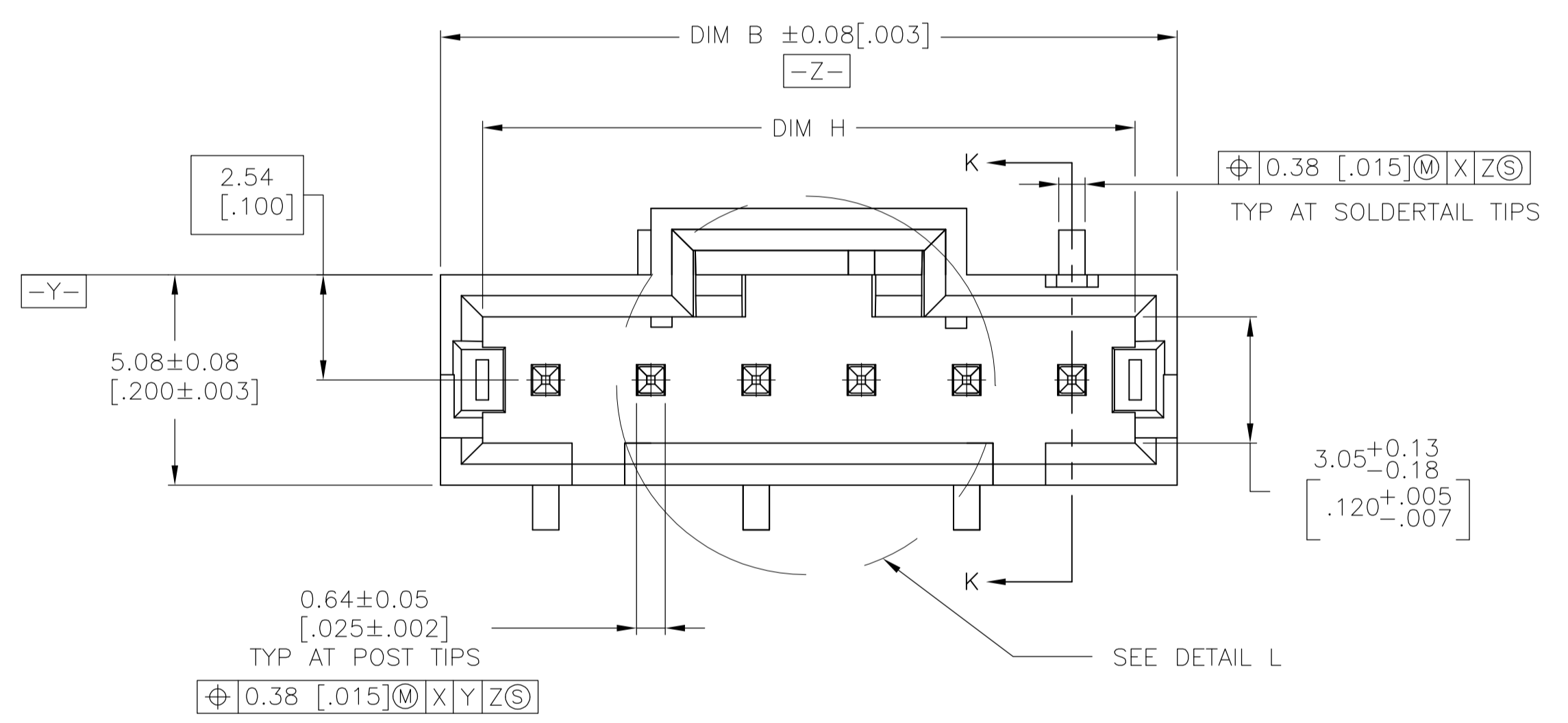


- 1 PACKAGE: TUBES
- 2 MATERIAL: HOUSING- HIGH TEMPERATURE THERMOPLASTIC, COLOR - BLACK, CONTACTS- BRASS
- 3 FINISH: CONTACTS: 0.00254[.000100] - 0.00508[.000200] BRIGHT TIN-LEAD OVER 0.00127[.000050] NICKEL
- 4 CIRCUIT POSITION #1 IDENTIFICATION MARK
- 5 DATUMS ARE ESTABLISHED BY CUSTOMER
- 6 PRELIMINARY PART - NOT RELEASED FOR PRODUCTION
- 7 FINISH: CONTACTS: 0.00254[.000100] - 0.00508[.000200] MATTE TIN OVER 0.00127[.000050] NICKEL.



FINISH	H	B	A	NO OF POSN	PART NUMBER
7	41.18[1.620]	43.21[1.700]	38.13[1.500]	16	5-1825574-8
7	10.68[.420]	12.71[.500]	7.63[.300]	4	5-1825574-7
7	43.69[1.720]	45.72[1.800]	40.64[1.600]	17	5-1825574-4
3	15.75[.620]	17.78[.700]	12.70[.500]	6	1825574-6
3	38.61[1.520]	40.64[1.600]	35.56[1.400]	15	1825574-5
3	43.69[1.720]	45.72[1.800]	40.64[1.600]	17	1825574-4
3	36.07[1.420]	38.10[1.500]	33.02[1.300]	14	1825574-3
3	30.99[1.220]	33.02[1.300]	27.94[1.100]	12	1825574-2
3	48.77[1.920]	50.80[2.000]	45.72[1.800]	19	1825574-1

THIS DRAWING IS A CONTROLLED DOCUMENT. DIM R BROWN 07MARG B
 CHK J GEFSEFORD DEMAROB
 APVD J GEFSEFORD DEMAROB NAME
 DIMENSIONS: mm [INCHES] TOLERANCES UNLESS OTHERWISE SPECIFIED:
 0 PL ± -
 1 PL ± -
 2 PL ± 0.13 [0.005]
 3 PL ± -
 4 PL ± -
 ANGLES ± -

THIS DRAWING IS A CONTROLLED DOCUMENT. DIM R BROWN 07MARG B
 CHK J GEFSEFORD DEMAROB
 APVD J GEFSEFORD DEMAROB NAME
 DIMENSIONS: mm [INCHES] TOLERANCES UNLESS OTHERWISE SPECIFIED:
 0 PL ± -
 1 PL ± -
 2 PL ± 0.13 [0.005]
 3 PL ± -
 4 PL ± -
 ANGLES ± -

Tyco Electronics Corporation
 Harrisburg, PA 17105-3608
 AMPMODU MTE SURFACE MOUNT,
 VERTICAL HEADER ASSEMBLY
 108-25034-2
 APPLICATION SPEC
 114-25026
 SIZE A1
 SCALE 8:1
 SHEET 1 OF 1
 REV E