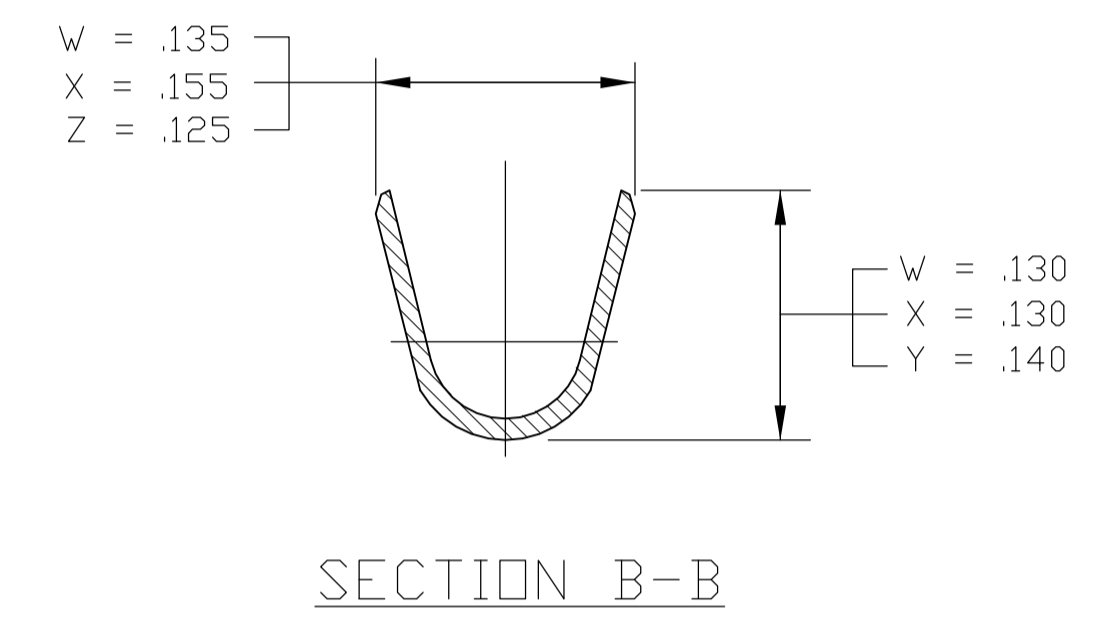
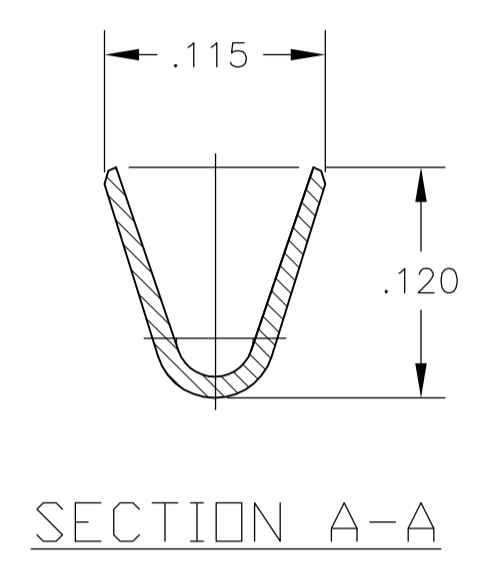
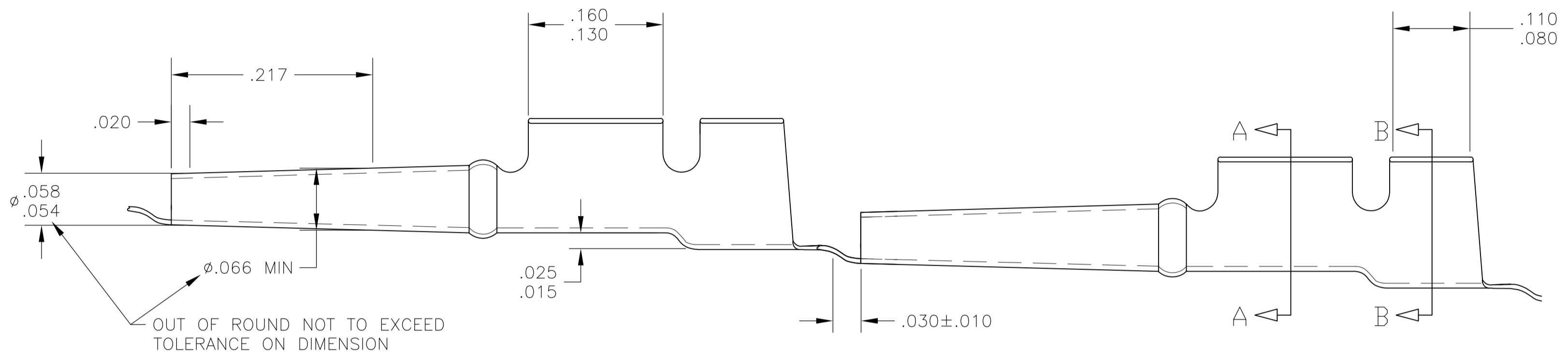
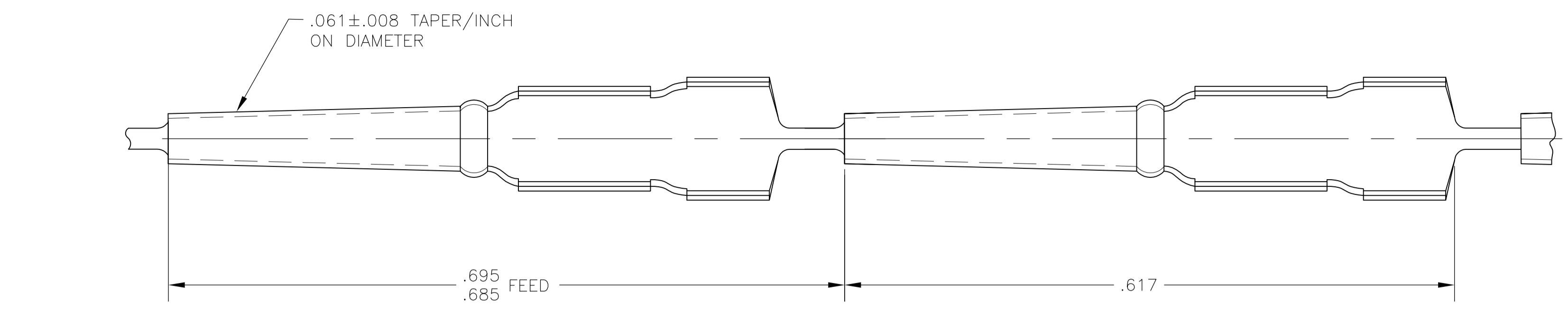
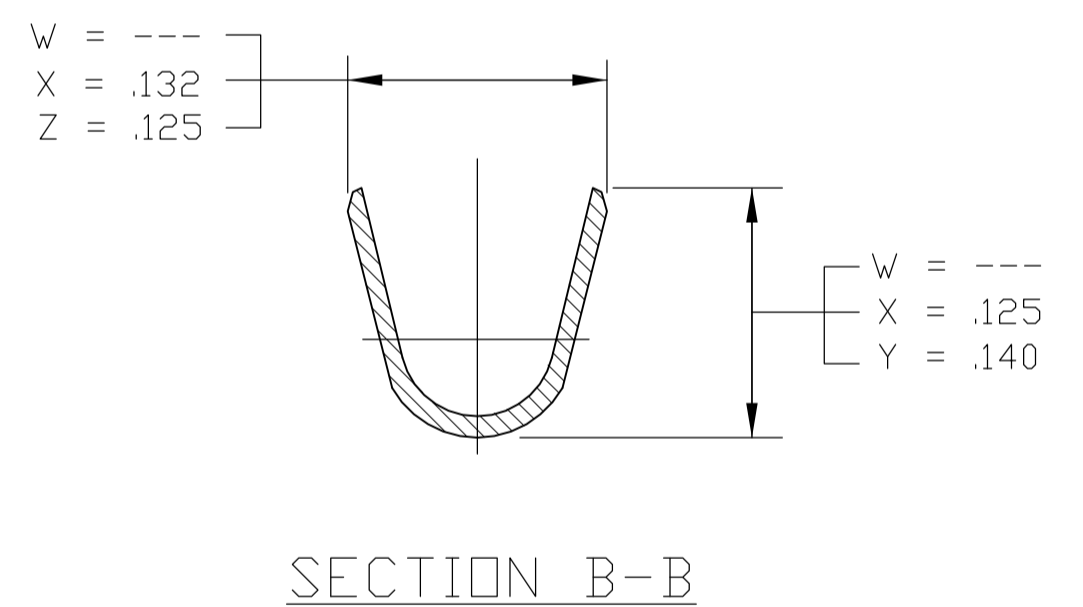
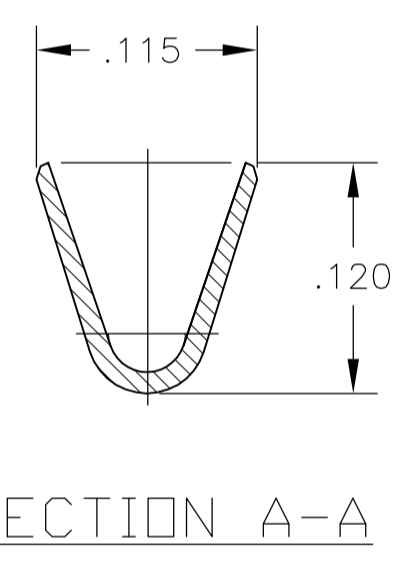
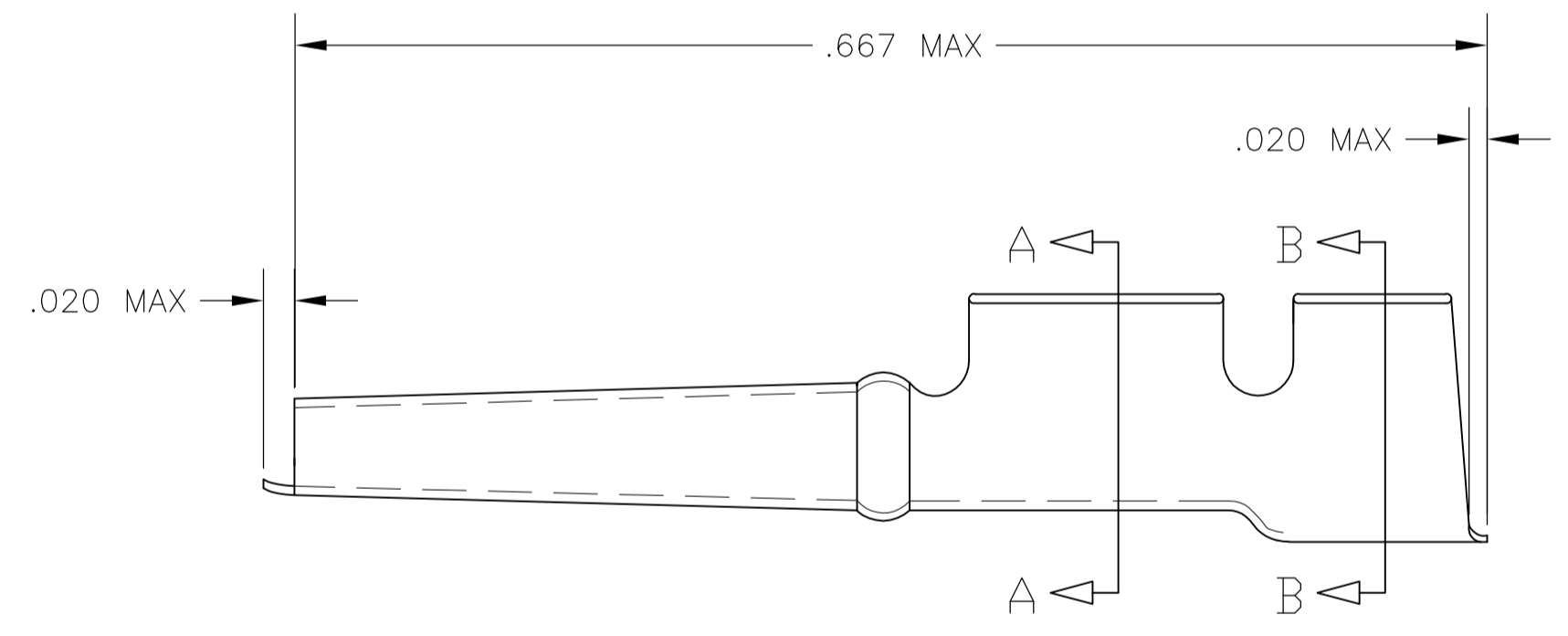


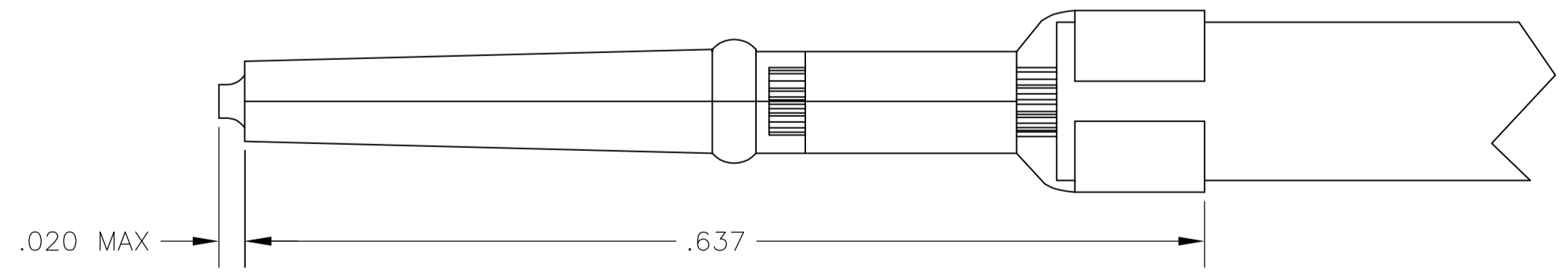
LOC		DIST		REVISIONS			
P	LTR	DESCRIPTION	DATE	DWN	APVD		
AM	REV PER ECO	09-023571	16DEC09	PY	JW		



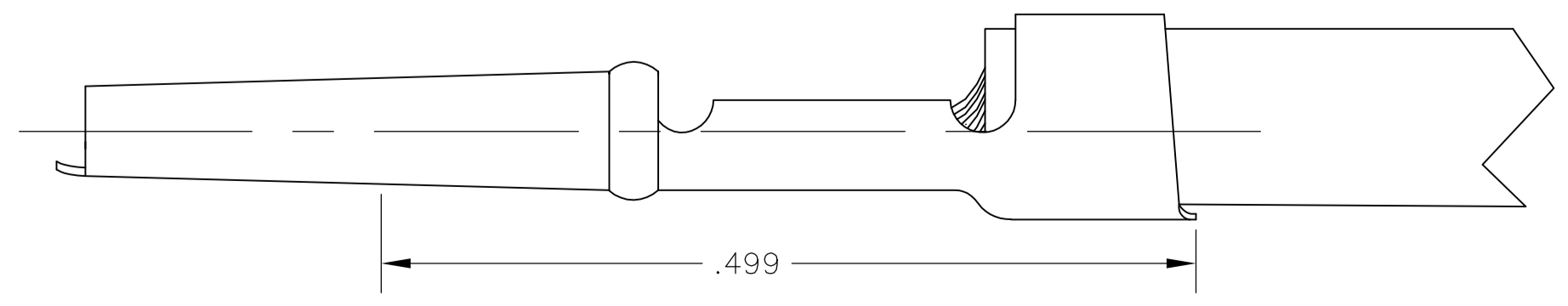
STRIP



LOOSE PIECE



CRIMPED VERSION



MAX INSTALLED EXTENSION

.054	47043	380306-3	UNPLATED	X	.080-.100	20-18	41997	41991
.054	47043	380306-3	.00003 GOLD OVER .00005 NICKEL	X	.080-.100	20-18	5-41667-0	5-41650-0
.054	47043	380306-3	.0002 SILVER	X	.080-.100	20-18	41669	41652
.054	47043	380306-3	.0001 MATTE TIN	X	.080-.100	20-18	41668	41651
.054	47043	380306-3	.0001 BRIGHT TIN-LEAD	X	.080-.100	20-18	41667	41650
CRIMP HEIGHT	HAND TOOL	INSERT TOOL	FINISH	INSUL CODE	INSUL SIZE	WIRE SIZE	LOOSE PIECE PART NO.	PART NO.

THIS DRAWING IS A CONTROLLED DOCUMENT.

DIMENSIONS: INCHES	TOLERANCES UNLESS OTHERWISE SPECIFIED:	DIN P. YEAGER 16DEC09	Tyco Electronics Corporation Harrisburg, PA 17105-3608
0 PLC ± -	1 PLC ± -	CHK J. WEAVER 16DEC09	
2 PLC ± -	3 PLC ± .005	APVD J. WEAVER 16DEC09	NAME TAPER PIN, 53 SERIES WITH INSULATION SUPPORT
4 PLC ANGLES ± ± 5°		PRODUCT SPEC	
MATERIAL .0160 COM1 BRASS	FINISH -	WEIGHT -	SIZE CAGE CODE DRAWING NO. RESTRICTED TO
			A1 00779 C=41650
CUSTOMER DRAWING		SCALE 10:1	SHEET 1 OF 1 REV AM