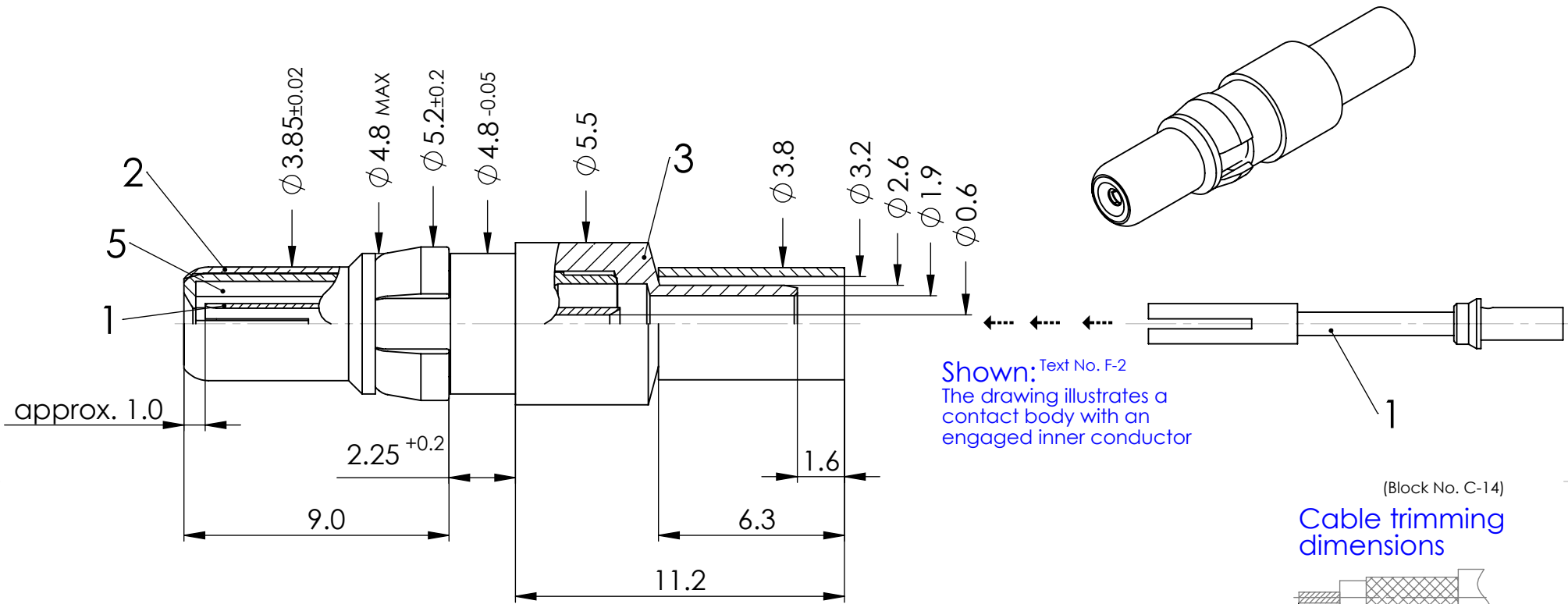


COMMENT:
 ALL RIGHTS ARE RESERVED BY US FOR THIS DRAWING. WITHOUT OUR PRIOR CONSENT,
 IT MAY NEITHER BE DUPLICATED NOR MADE AVAILABLE TO A THIRD PARTY,
 AND IT ALSO MAY NOT BE IMPROPERLY USED BY TE RECEIVER, OR A THIRD PARTY.



Text No. W-1
FCT tools:

Crimping of inner conductor:

Hand tool: M22520/2-01
 Locator: K1003

Pneumatic crimp tool: WA22
 Locator: K1003

Cable:
 AWG 24 / SEL. 5
 AWG 26 / SEL. 5
 AWG 28 / SEL. 4
 AWG 30 / SEL. 3

Text No. W-2
FCT tools:

Crimping of outer conductor:

Hand tool: M22520/5-01
 Die: Y1535P cavity B

Pneumatic crimp tool: HX23
 (replacement for PH4001) ②

Extraction tool: DRK38

IMPEDANCE		75 Ohm		COAXIAL CONTACT	SCALE 5:1	CABLE	
FOR		D-SUB				RG179BU, RG187AU, Belden 9221	
DIMENSIONS IN MM		DRAWN	NAME / DATE		DATA SHEET		
MATERIAL + FINISH SEE EXTRA SHEET		sschref	05-07-2006				
UNLESS OTHERWISE SPECIFIED DIMENSIONS FOR REFERENCE ONLY		17-10-2012	17-10-2012		PART NO.		
2		16-10-2012	23305		FMS002P		
REV.	DATE	INDEX				REPLACEMENT FOR:	