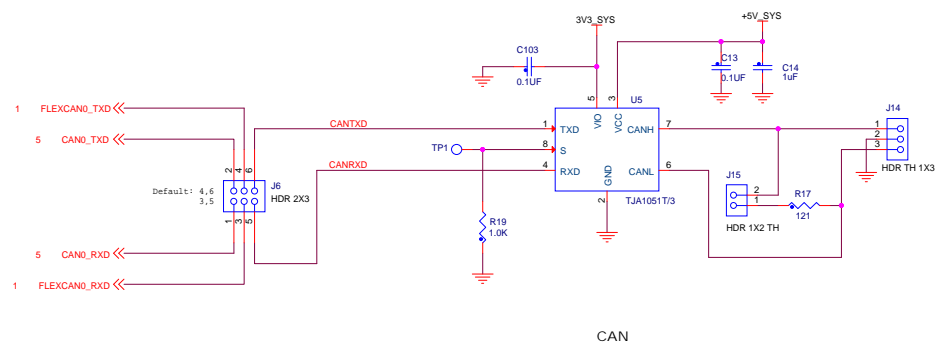


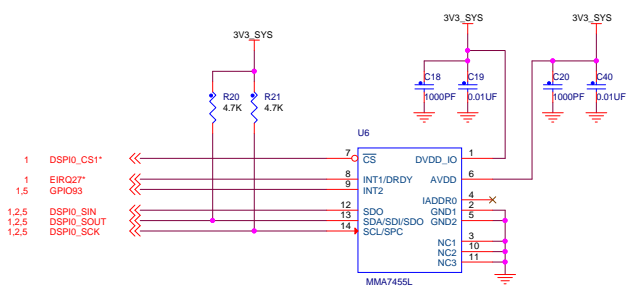
Approvals		Date	Title	
Drawn	GLG	061611	TWR-PXS20 AXM-0559	
Checked	DSR	061611	Size	Document Number
Finish			C	DOC-0559-030
Date: Thursday, February 02, 2012			Sheet	1 of 5



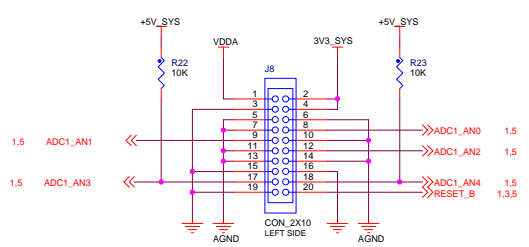
Rev B1



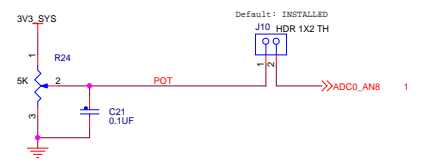
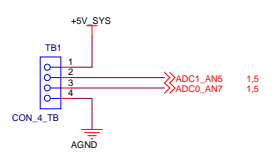
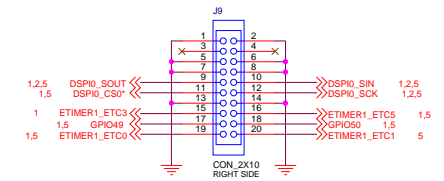
CAN



ACCELEROMETER



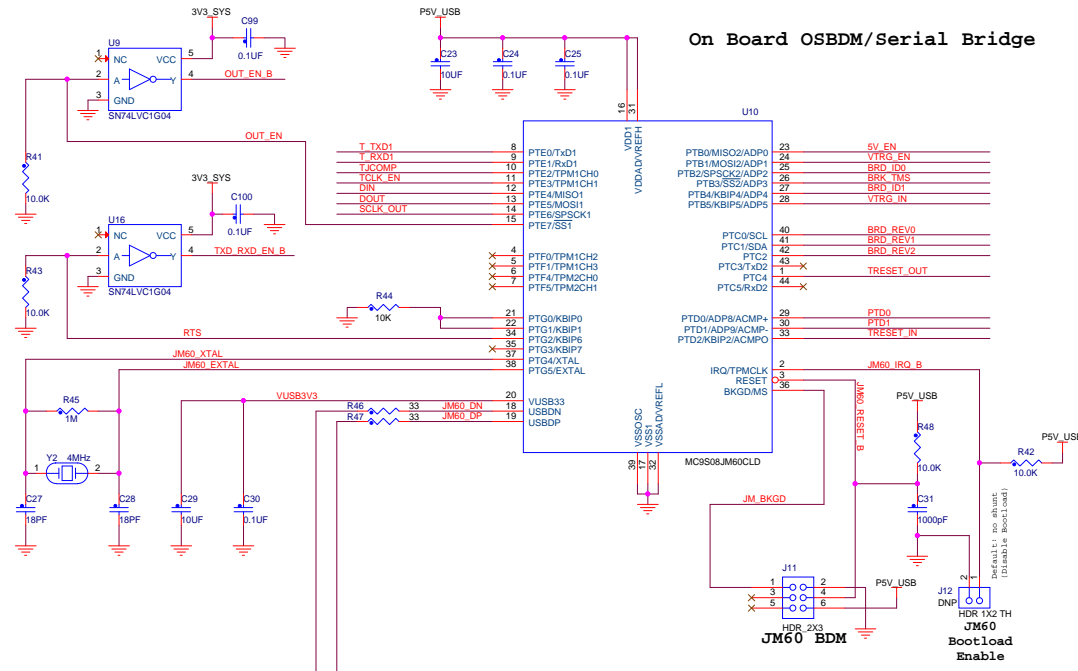
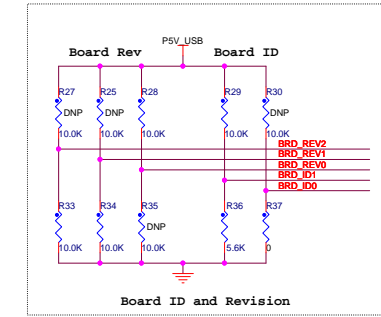
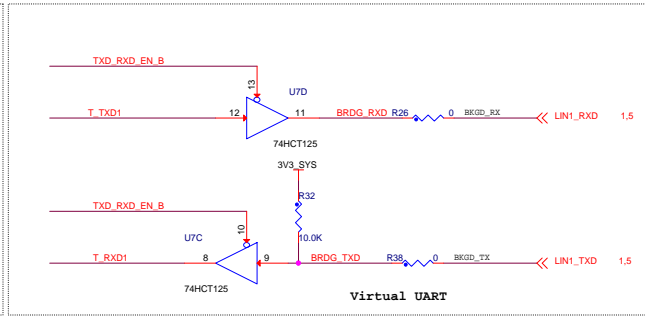
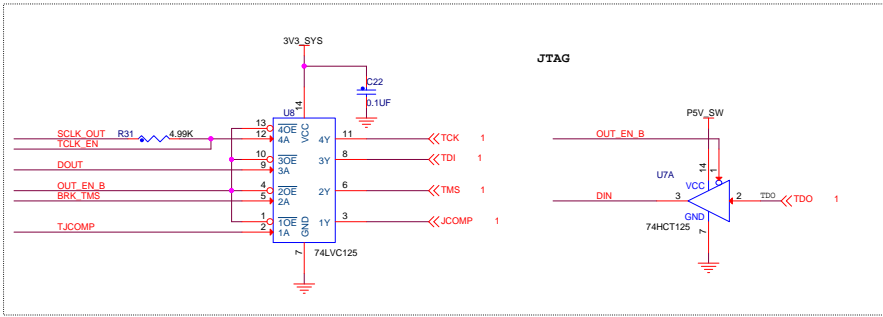
TWRPI SOCKETS

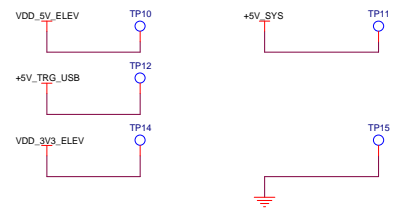
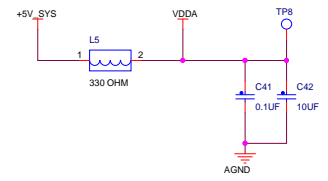
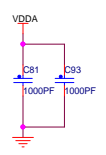
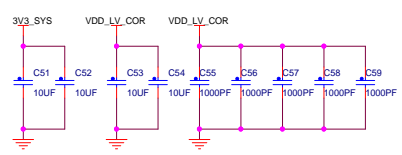
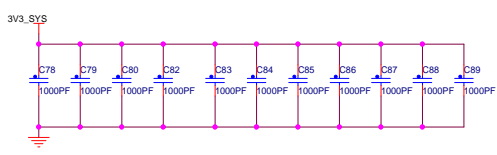
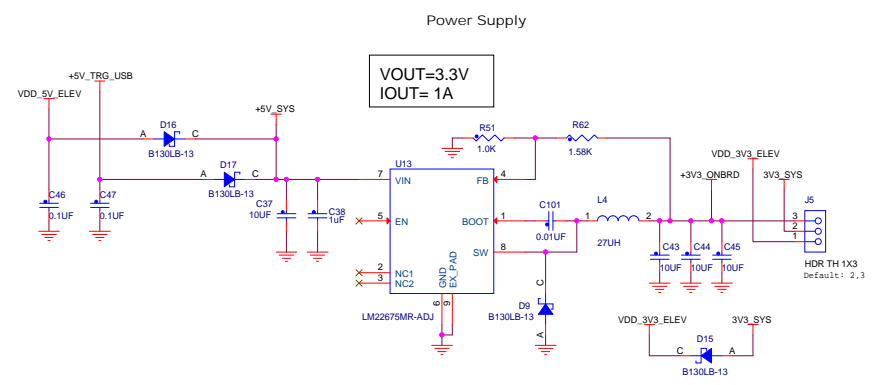
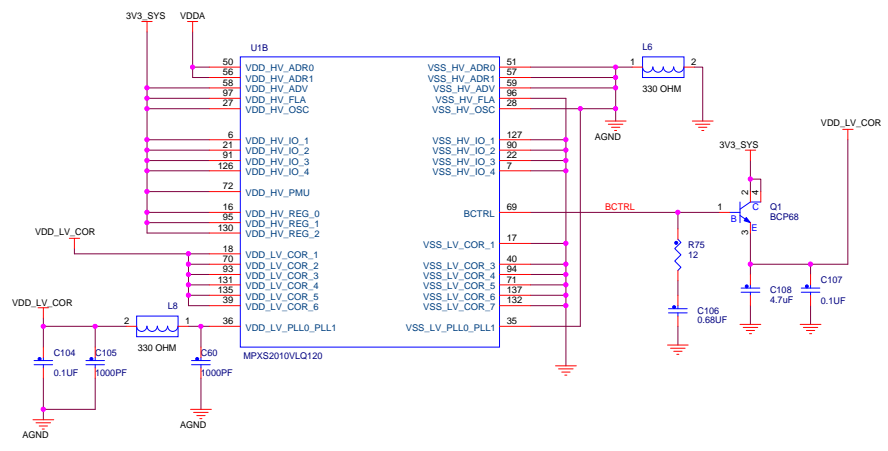


ADC

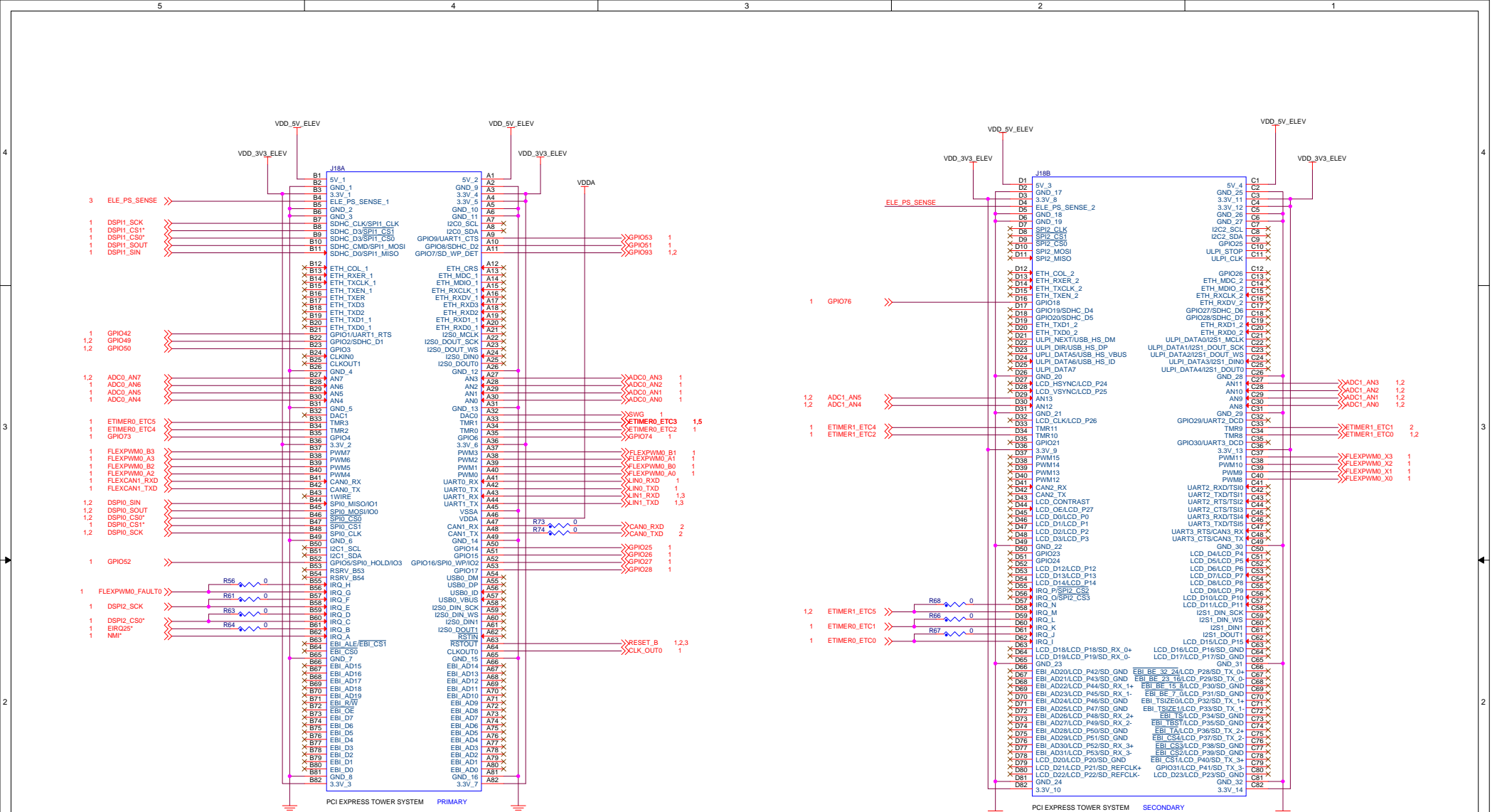
Approvals		Date	Title	
Drawn	GLG	061611	TWR-PXS20 AXM-0559	
Checked	DSR	061611	Size	Document Number
Finish			C	DOC-0559-030
Date: Thursday, February 02, 2012			Sheet	2 of 5








Approvals		Date	Title	
Drawn	GLG	081611	TWR-PXS20 AXM-0559	
Checked	DSR	081611	Size	Document Number
Finish			C	DOC-0559-030
Date: Thursday, February 02, 2012			Sheet	4 of 5
				Rev B1



		
Approvals	Date	Title
Drawn GLG	061611	TWR-PXS20 AXM-0559
Checked DSR	061611	Size C Document Number DOC-0559-030
Finish	Date	Thursday, February 02, 2012
	Sheet	5 of 5
	Rev	B1