

NOTE: Distance from end of cable center conductor to Ref. Pl. is 0.289

## NOTES:

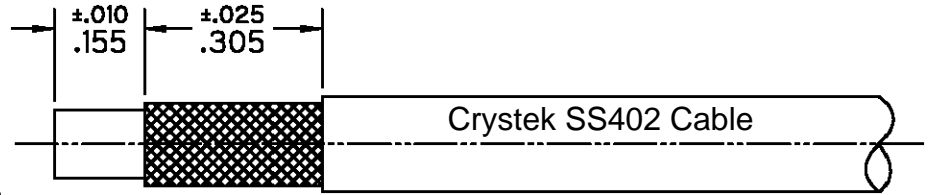
### 1.0 Materials

- 1.1 Body, Coupling, and Clamp Nuts: Steel. Corrosion Resistant per ASTM-A582. UNS No. S30300.
- 1.2 Center Conductor: Beryllium Copper per ASTM-B196. UNS C17300.
- 1.3 Solder Ferrule: Brass per ASTM-B16. UNS C36000.
- 1.4 Lock Ring: Beryllium Copper per ASTM-B197. UNS C17200.
- 1.5 Gasket and O-Ring: Silicone Rubber per A-A-59588.
- 1.6 Insulators: PTFE Fluorocarbon per ASTM-D1710.

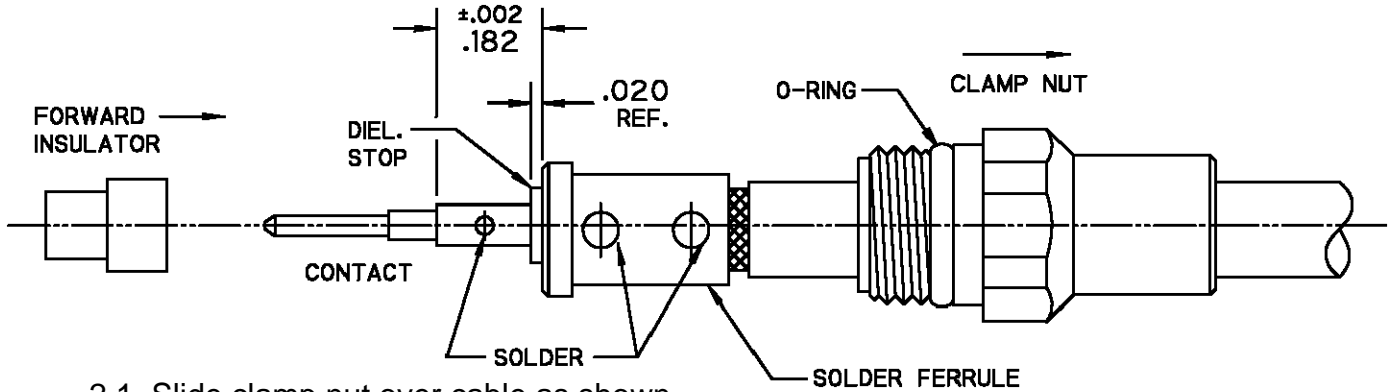
### 2.0 Finishes

- 2.1 Center Contact and Solder Ferrule: Gold Plate per ASTM-B488 50 Microinches Min. thickness over Electrolytic Nickel Plate per ASTM-B689 50 Microinches Min. thickness.
- 2.2 Body, Coupling, and Clamp Nuts: Passivated per SAE-AMS-2700.
- 2.3 Gasket, O-Ring, and Dielectric Bead: None.

3.0 Interface: Type SMA Plug per Crystek Interface Specification CC-SMAP (Meets MIL-STD-348. Figure 310-1).

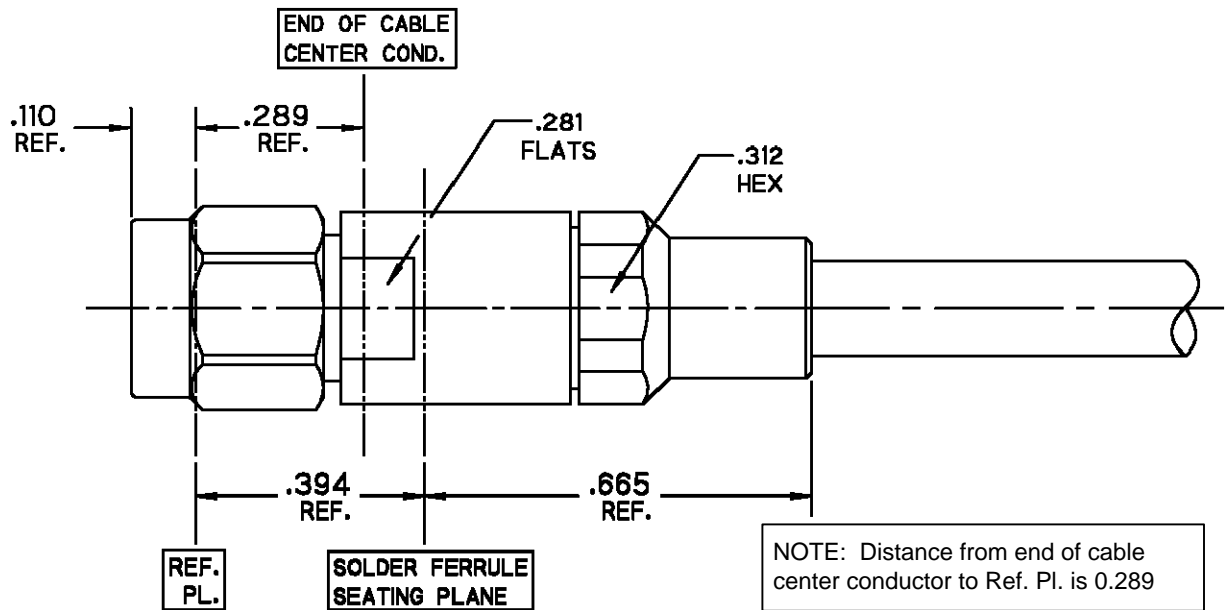


Step 1 1.1 Trim Cable as shown.



- 2.1 Slide clamp nut over cable as shown.
- 2.2 Insert cable into solder ferrule as shown then solder braids to ferrule where indicated.
- 2.3 Trim exposed cable dielectric flush with solder ferrule face.
- 2.4 Slide dielectric stop over cable center conductor against ferrule face and solder contact flush against stop to dimension shown.
- 2.5 Slide forward insulator onto contact.

Step 2



- 3.1 Insert cable/contact sub-assembly into connector until seated and tighten clamp nut to 25-35 in-lbs.

Step 3

**Product Control:**

Crystek Part Number:	CS-SM-MCA	Release Date:	03-Feb-11
Revision Level:	A	Responsible:	K. Piotrowicz

