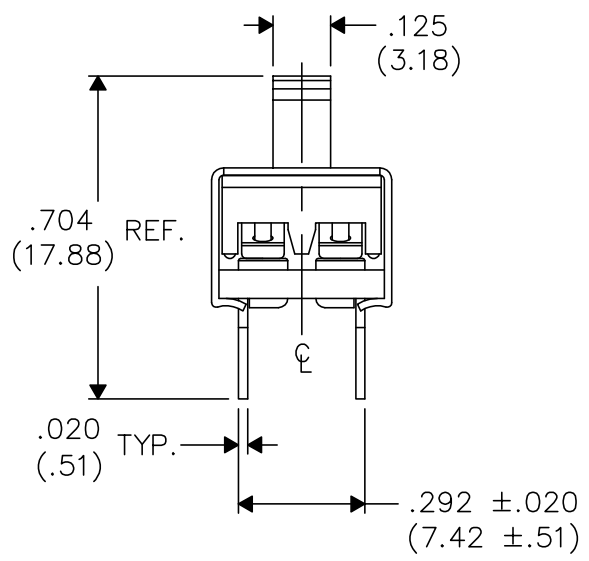
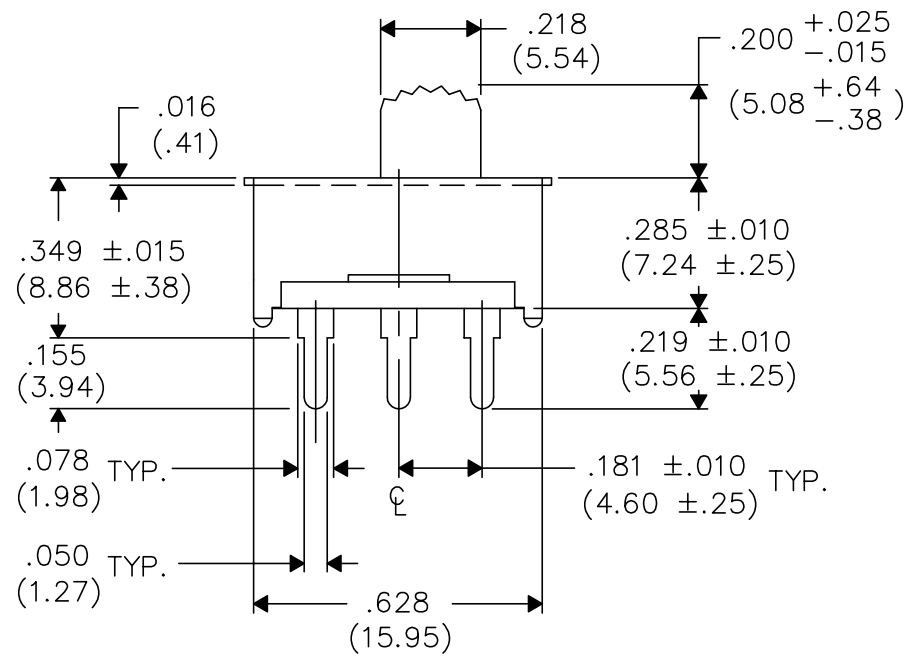
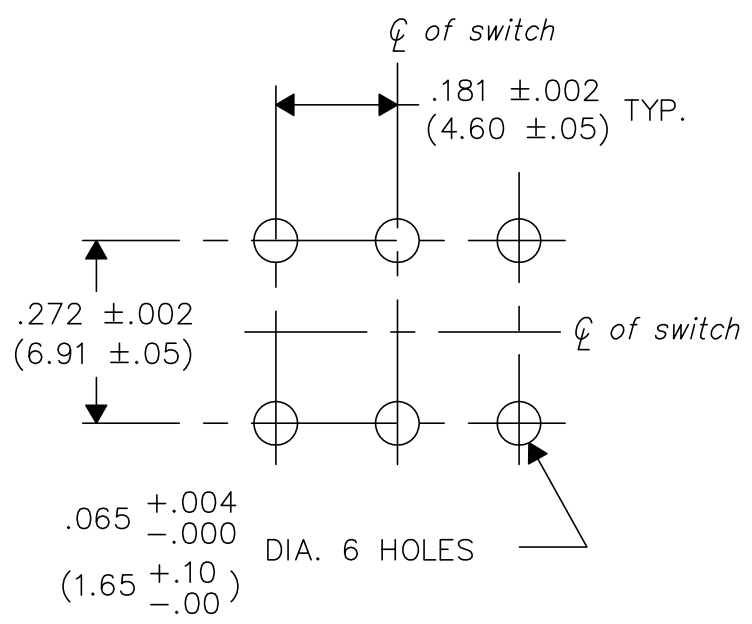
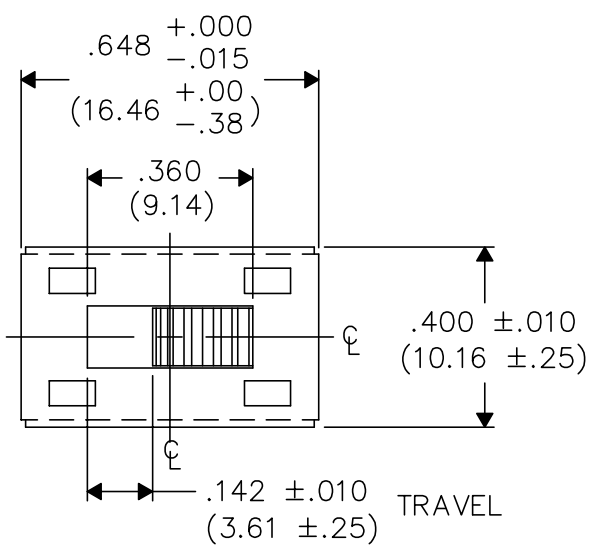


DIMENSIONS IN INCHES (MILLIMETERS)
DO NOT SCALE DRAWING

Dwg. No.
GF-126-0288

P.C. LAYOUT



1	2	3	4	5	6	7	8	9	10
---	---	---	---	---	---	---	---	---	----

FORM-B3
REVISIONS
0
RELEASED.
DGW 1-07-2004
JAN. 22, 2004

CW INDUSTRIES
Southampton, Pa. 18966

Title: SWIDGET ASSEMBLY
D.P. - D.T.
RAD. KNURL

TOLERANCES UNLESS OTHERWISE SPECIFIED
2 Place Decimal ±.010 METRIC
3 Place Decimal ±.005 1 Place Dec. ±.25mm
Angles ±1° 2 Place Dec. ±.13mm

Made for: CW IND.
Drawn by: DGW 1-07-2004
Checked by: GG 1-19-04
Approval: BF 1-19-4

Division: SWITCH
Dwg. No. GF-126-0288