

NB6L72M

2.5V / 3.3V Differential 2 X 2 Crosspoint Switch with CML Outputs

Multi- Level Inputs w/ Internal Termination

Description

The NB6L72M is a clock or data high-bandwidth fully differential 2 x 2 Crosspoint Switch with internal source termination and CML output structure, optimized for low skew and minimal jitter. The differential inputs incorporate internal 50 Ω termination resistors and will accept LVPECL, CML, LVDS, LVCMOS, or LVTTTL logic levels. The SELECT inputs are single-ended and can be driven with LVCMOS/LVTTTL.

The 16 mA differential CML outputs provide matching internal 50 Ω terminations and 400 mV output swings when externally terminated with a 50 Ω resistor to V_{CC} .

The device is offered in a small 3 mm x 3 mm 16-pin QFN package.

The NB6L72M is a member of the ECLinPS MAX™ family of high performance clock and data management products.

Features

- Input Clock Frequency > 3.0 GHz
- Input Data Rate > 3 Gb/s
- 360 ps Typical Propagation Delay
- 65 ps Typical Rise and Fall Times
- Differential CML Outputs, 380 mV peak-to-peak, typical
- Operating Range: $V_{CC} = 2.375$ V to 3.63 V with GND = 0 V
- Internal Input and Output Termination Resistors, 50 Ω
- Functionally Compatible with Existing 2.5 V / 3.3 V LVEL, LVEP, EP, and SG Devices
- -40 °C to +85°C Ambient Operating Temperature
- These are Pb-Free Devices



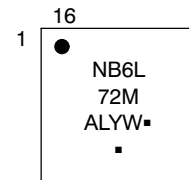
ON Semiconductor®

<http://onsemi.com>

MARKING DIAGRAM*



QFN-16
MN SUFFIX
CASE 485G



A = Assembly Location
L = Wafer Lot
Y = Year
W = Work Week
▪ = Pb-Free Package
(Note: Microdot may be in either location)

*For additional marking information, refer to Application Note AND8002/D.

ORDERING INFORMATION

See detailed ordering and shipping information in the package dimensions section on page 9 of this data sheet.

NB6L72M

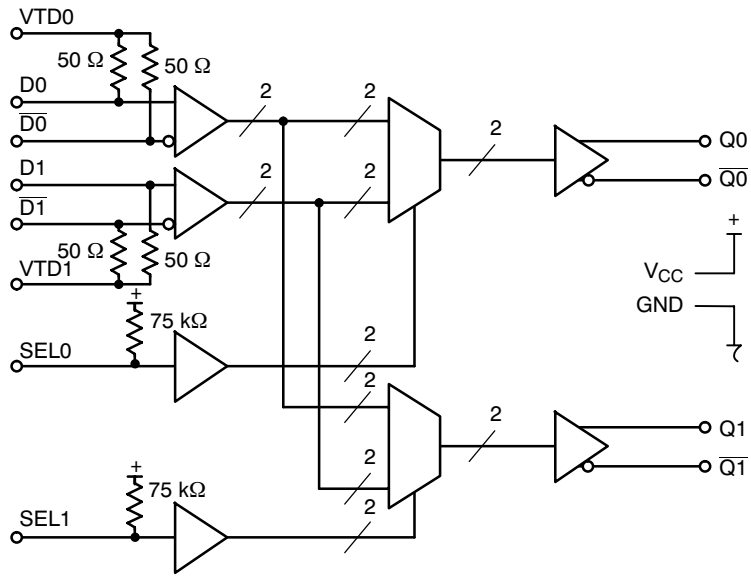


Figure 1. Logic/Block Diagram

NB6L72M

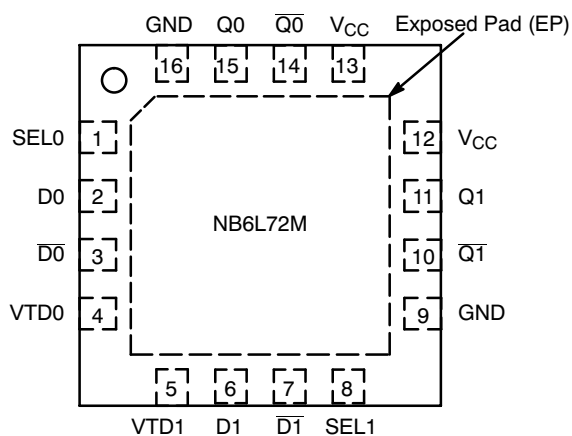


Figure 2. Pin Configuration (Top View)

Table 1. INPUT/OUTPUT SELECT TRUTH TABLE

| SEL0* | SEL1* | Q0 | Q1 |
|-------|-------|----|----|
| L | L | D0 | D0 |
| H | L | D1 | D0 |
| L | H | D0 | D1 |
| H | H | D1 | D1 |

*Defaults HIGH when left open

Table 2. PIN DESCRIPTION

| Pin | Name | I/O | Description |
|-----|-----------------|--|--|
| 1 | SEL0 | LVTTTL, LVCMOS Input | Select Logic Input control that selects D0 or D1 to output Q0. See Table 1, Select Input Function Table. Pin defaults HIGH when left open |
| 2 | D0 | LVPECL, CML, LVDS, LVTTTL, LVCMOS, Input | Noninverted Differential Input. Note 1 |
| 3 | D0-bar | LVPECL, CML, LVDS, LVTTTL, LVCMOS, Input | Inverted Differential Input. Note 1 |
| 4 | VTD0 | - | Internal 50 Ω Termination Pin. Note 1. |
| 5 | VTD1 | - | Internal 50 Ω termination pin. Note 1. |
| 6 | D1 | LVPECL, CML, LVDS, LVTTTL, LVCMOS, Input | Noninverted Differential Input. Note 1. |
| 7 | D1-bar | LVPECL, CML, LVDS, LVTTTL, LVCMOS, Input | Inverted Differential Input. Note 1 |
| 8 | SEL1 | LVTTTL, LVCMOS Input | Select Logic Input control that selects D0 or D1 to output Q1. See Table 1, Select Input Function Table. Pin defaults HIGH when left open |
| 9 | GND | - | Negative Supply Voltage |
| 10 | Q1-bar | CML Output | Inverted Differential Output. Typically Terminated with 50 Ω Resistor to V _{CC} . |
| 11 | Q1 | CML Output | Noninverted Differential Output. Typically Terminated with 50 Ω Resistor to V _{CC} . |
| 12 | V _{CC} | - | Positive Supply Voltage |
| 13 | V _{CC} | - | Positive Supply Voltage |
| 14 | Q0-bar | CML Output | Inverted Differential Reset Input. Typically Terminated with 50 Ω Resistor to V _{CC} . |
| 15 | Q0 | CML Output | Noninverted Differential Reset Input. Typically Terminated with 50 Ω Resistor to V _{CC} . |
| 16 | GND | - | Negative Supply Voltage |
| - | EP | - | The Exposed Pad (EP) on the QFN-16 package bottom is thermally connected to the die for improved heat transfer out of package. The exposed pad must be attached to a heat-sinking conduit. The pad is not electrically connected to the die, but is recommended to be electrically and thermally connected to GND on the PC board. |

1. In the differential configuration when the input termination pin (VTDn) are connected to a common termination voltage or left open, and if no signal is applied on Dn/Dn-bar input, then the device will be susceptible to self-oscillation.
2. All V_{CC} and GND pins must be externally connected to a power supply for proper operation.

NB6L72M

Table 3. ATTRIBUTES

| Characteristics | | Value |
|--|-----------------------------------|----------------------|
| Interval Input Pulldown Resistor | | 75 kΩ |
| ESD Protection | Human Body Model Machine Model | > 2 kV > 200V |
| Moisture Sensitivity | 16-QFN | Level 1 |
| Flammability Rating | Oxygen Index: 28 to 34 | UL 94 V-0 @ 0.125 in |
| Transistor Count | | |
| Meets or exceeds JEDEC Spec EIA/JESD78 IC Latchup Test | | |

For additional information, see Application Note AND8003/D.

Table 4. MAXIMUM RATINGS

| Symbol | Parameter | Condition 1 | Condition 2 | Rating | Unit |
|-------------------|--|--------------------|--|-----------------------|--------------|
| V _{CC} | Positive Power Supply | GND = 0 V | | 4.0 | V |
| V _{IO} | Positive Input/Output Voltage | GND = 0 V | -0.5 ≤ V _{IO} ≤ V _{CC} + 0.5 | 4.5 | V |
| V _{INPP} | Differential Input Voltage D - D̄ | | | V _{CC} - GND | V |
| I _{IN} | Input Current Through R _T (50 Ω Resistor) | Static Surge | | 45 80 | mA mA |
| T _A | Operating Temperature Range | QFN-16 | | -40 to +85 | °C |
| T _{stg} | Storage Temperature Range | | | -65 to +150 | °C |
| θ _{JA} | Thermal Resistance (Junction-to-Ambient) (Note 3) | 0 lfpm 500 lfpm | QFN-16 QFN-16 | 42 35 | °C/W °C/W |
| θ _{JC} | Thermal Resistance (Junction-to-Case) | (Note 3) | QFN-16 | 4 | °C/W |
| T _{sol} | Wave Solder Pb-Free | | | 265 | °C |

Stresses exceeding Maximum Ratings may damage the device. Maximum Ratings are stress ratings only. Functional operation above the Recommended Operating Conditions is not implied. Extended exposure to stresses above the Recommended Operating Conditions may affect device reliability.

3. JEDEC standard multilayer board - 2S2P (2 signal, 2 power) with 8 filled thermal vias under exposed pad.

NB6L72M

Table 5. DC CHARACTERISTICS, Multi-Level Inputs $V_{CC} = 2.375 \text{ V to } 3.63 \text{ V}$, $GND = 0 \text{ V}$, $T_A = -40^\circ\text{C to } +85^\circ\text{C}$

| Symbol | Characteristic | Min | Typ | Max | Unit |
|---|--|--------------------------------|--------------------------------|--------------------------------|---------------|
| POWER SUPPLY CURRENT | | | | | |
| I_{CC} | Power Supply Current (Inputs and Outputs Open) | 60 | 80 | 105 | mA |
| CML OUTPUTS (Notes 5 and 6) | | | | | |
| V_{OH} | Output HIGH Voltage $V_{CC} = 3.3 \text{ V}$ $V_{CC} = 2.5 \text{ V}$ | $V_{CC} - 40$ 3260 2460 | $V_{CC} - 10$ 3290 2490 | V_{CC} 3300 2500 | mV |
| V_{OL} | Output LOW Voltage $V_{CC} = 3.3 \text{ V}$ $V_{CC} = 2.5 \text{ V}$ | $V_{CC} - 500$ 2800 2000 | $V_{CC} - 400$ 2900 2100 | $V_{CC} - 300$ 3000 2200 | mV |
| DIFFERENTIAL INPUT DRIVEN SINGLE-ENDED (see Figures 6 and 8) | | | | | |
| V_{th} | Input Threshold Reference Voltage Range (Note 7) | 1050 | | $V_{CC} - 150$ | mV |
| V_{IH} | Single-Ended Input HIGH Voltage | $V_{th} + 150$ | | V_{CC} | mV |
| V_{IL} | Single-Ended Input LOW Voltage | GND | | $V_{th} - 150$ | mV |
| V_{ISE} | Single-Ended Input Voltage Amplitude ($V_{IH} - V_{IL}$) | 300 | | $V_{CC} - V_{EE}$ | mV |
| DIFFERENTIAL INPUTS DRIVEN DIFFERENTIALLY (see Figures 7 and 9) (Note 8) | | | | | |
| V_{IHD} | Differential Input HIGH Voltage | 1200 | | V_{CC} | mV |
| V_{ILD} | Differential Input LOW Voltage | GND | | $V_{CC} - 150$ | mV |
| V_{ID} | Differential Input Voltage Swing ($D_n, \overline{D_n}$) ($V_{IHD} - V_{ILD}$) (Note 15) | 150 | | $V_{CC} - V_{EE}$ | mV |
| V_{CMR} | Input Common Mode Range (Differential Configuration) (Note 9) | 950 | | $V_{CC} - 75$ | mV |
| I_{IH} | Input HIGH Current $D_n/\overline{D_n}$, ($V_{TDn}/\overline{V_{TDn}}$ Open) | -150 | | +150 | μA |
| I_{IL} | Input LOW Current $D_n/\overline{D_n}$, ($V_{TDn}/\overline{V_{TDn}}$ Open) | -150 | | +150 | μA |
| SINGLE-ENDED LVCMOS/LVTTL CONTROL INPUTS | | | | | |
| V_{IH} | Single-Ended Input HIGH Voltage | 2000 | | V_{CC} | mV |
| V_{IL} | Single-Ended Input LOW Voltage | GND | | 800 | mV |
| I_{IH} | Input HIGH Current | -150 | | +150 | μA |
| I_{IL} | Input LOW Current | -150 | | +150 | μA |
| TERMINATION RESISTORS | | | | | |
| R_{TIN} | Internal Input Termination Resistor | 40 | 50 | 60 | Ω |
| R_{TOUT} | Internal Output Termination Resistor | 40 | 50 | 60 | Ω |

NOTE: Device will meet the specifications after thermal equilibrium has been established when mounted in a test socket or printed circuit board with maintained transverse airflow greater than 500 lfm. Electrical parameters are guaranteed only over the declared operating temperature range. Functional operation of the device exceeding these conditions is not implied. Device specification limit values are applied individually under normal operating conditions and not valid simultaneously.

- CML outputs loaded with 50Ω to V_{CC} for proper operation.
- Input and output parameters vary 1:1 with V_{CC} .
- V_{th} , V_{IH} , V_{IL} , and V_{ISE} parameters must be complied with simultaneously.
- V_{th} is applied to the complementary input when operating in single-ended mode.
- V_{IHD} , V_{ILD} , V_{ID} and V_{CMR} parameters must be complied with simultaneously.
- V_{CMR} minimum varies 1:1 with GND, V_{CMR} max varies 1:1 with V_{CC} . The V_{CMR} range is referenced to the most positive side of the differential input signal.

NB6L72M

Table 6. AC CHARACTERISTICS $V_{CC} = 2.375\text{ V to }3.63\text{ V}$, $GND = 0\text{ V}$, or $V_{CC} = 0\text{ V}$, $GND = -2.375\text{ V to }-3.63\text{ V}$,
 $T_A = -40^\circ\text{C to }+85^\circ\text{C}$; (Note 10)

| Symbol | Characteristic | Min | Typ | Max | Unit | |
|--------------------------|--|--|-----|-------------------|-----------------|------|
| V_{OUTPP} | Output Voltage Amplitude (@ $V_{INPPmin}$) (Note 15) (See Figure 15) | $f_{in} \leq 3\text{ GHz}$ | 250 | 380 | | mV |
| f_{DATA} | Maximum Operating Data Rate | 3 | | | | Gb/s |
| t_{PLH} , t_{PHL} | Propagation Delay (@0.5GHz) | Dn to Qn SELn to Qn | 230 | 360 | 480 | ps |
| t_{SKEW} | Duty Cycle Skew (Note 11) Within Device Skew Device to Device Skew (Note 12) | | 6.0 | 20 25 85 | | ps |
| t_{DC} | Output Clock Duty Cycle (Reference Duty Cycle = 50%) | $f_{in} \leq 3.0\text{ GHz}$ | 40 | 50 | 60 | % |
| t_{JITTER} | RMS Random Clock Jitter (Note 13) Peak-to-Peak Data Dependent Jitter (Note 14) | $f_{in} \leq 3.0\text{ GHz}$ $f_{DATA} = 2.5\text{ Gb/s}$ $f_{DATA} = 3.0\text{ Gb/s}$ | | 0.2 5.0 8.0 | 0.5 15 25 | ps |
| V_{INPP} | Input Voltage Swing/Sensitivity (Differential Configuration) (Note 15) | | 150 | | 2800 | mV |
| t_r , t_f | Output Rise/Fall Times @ 0.5 GHz, (20% - 80%), | Q, \bar{Q} | | 65 | 120 | ps |

NOTE: Device will meet the specifications after thermal equilibrium has been established when mounted in a test socket or printed circuit board with maintained transverse airflow greater than 500 lfm. Electrical parameters are guaranteed only over the declared operating temperature range. Functional operation of the device exceeding these conditions is not implied. Device specification limit values are applied individually under normal operating conditions and not valid simultaneously.

10. Measured by forcing V_{INPP} (minimum) from a 50% duty cycle clock source. All loading with an external $R_L = 50\ \Omega$ to V_{CC} . Input edge rates 40 ps (20% - 80%).

11. Duty cycle skew is measured between differential outputs using the deviations of the sum of T_{pw-} and T_{pw+} @ 0.5GHz.

12. Device to device skew is measured between outputs under identical transition @ 0.5 GHz.

13. Additive RMS jitter with 50% duty cycle clock signal.

14. Additive peak-to-peak data dependent jitter with input NRZ data at PRBS23.

15. Input and output voltage swing is a single-ended measurement operating in differential mode.

NB6L72M

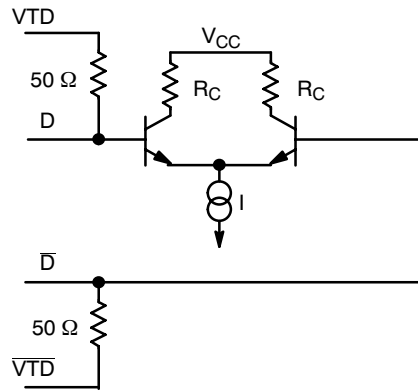


Figure 3. Input Structure

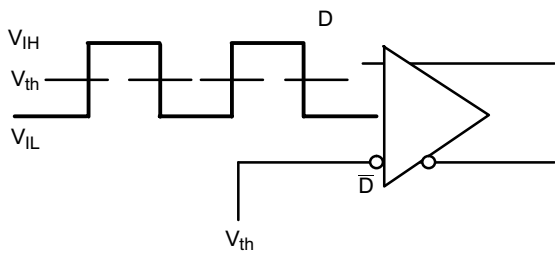


Figure 4. Differential Input Driven Single-Ended

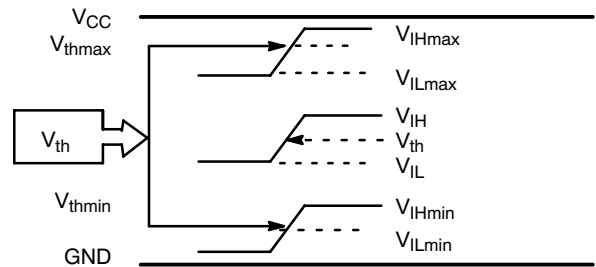


Figure 5. V_{th} Diagram

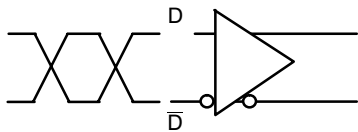


Figure 6. Differential Inputs Driven Differentially

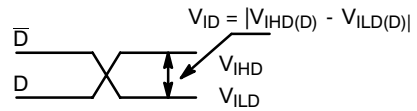


Figure 7. Differential Inputs Driven Differentially

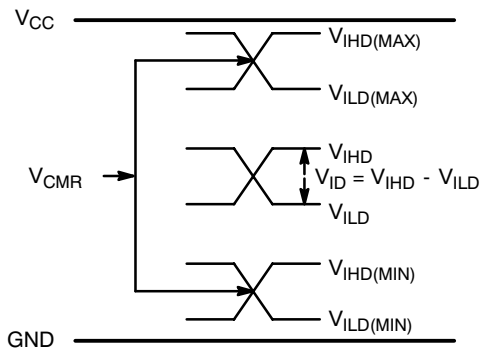


Figure 8. V_{CM} Diagram

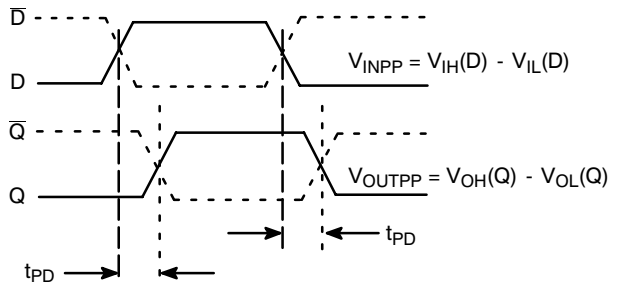


Figure 9. AC Reference Measurement

NB6L72M

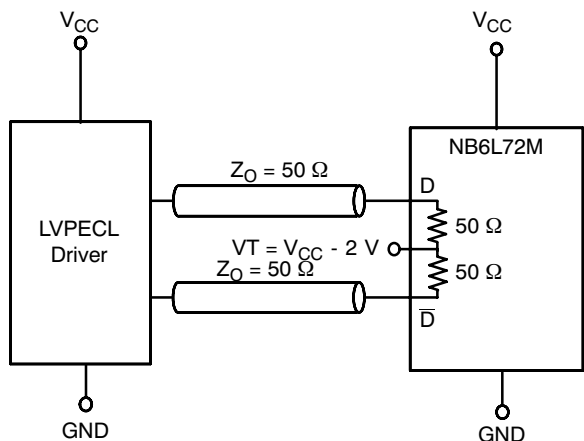


Figure 10. LVPECL Interface

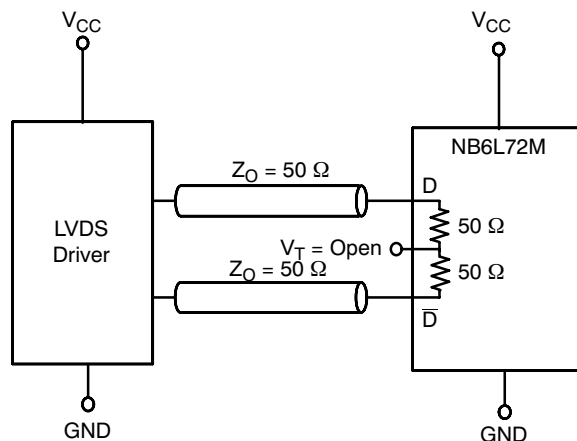


Figure 11. LVDS Interface

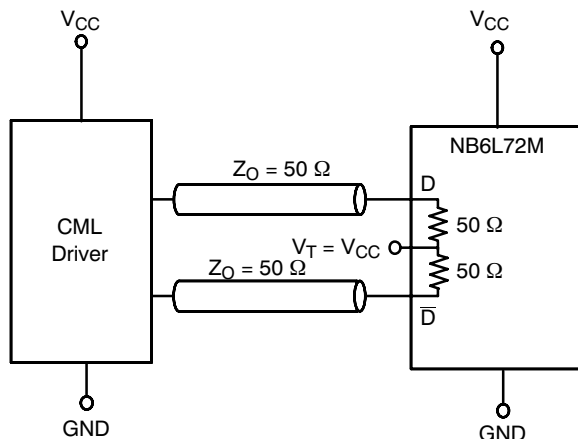


Figure 12. Standard 50 Ω Load CML Interface

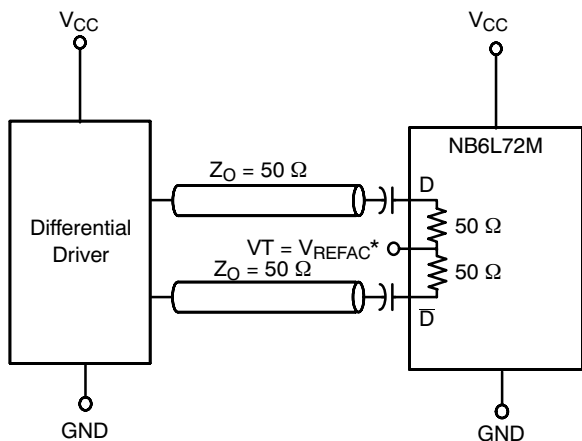


Figure 13. Capacitor-Coupled Differential Interface (VT Connected to V_{REFAC})

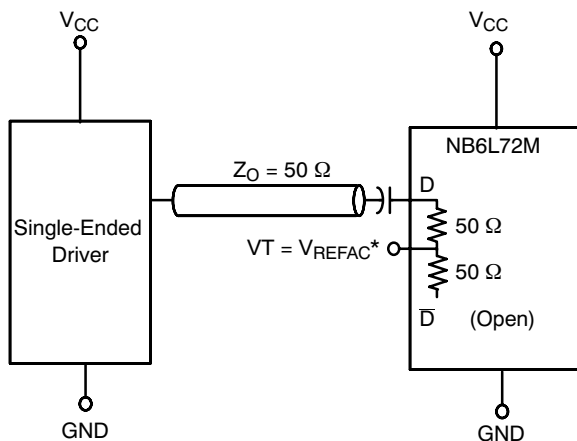


Figure 14. Capacitor-Coupled Single-Ended Interface (VT Connected to V_{REFAC})

* V_{REFAC} bypassed to ground with a 0.01 μF capacitor

NB6L72M

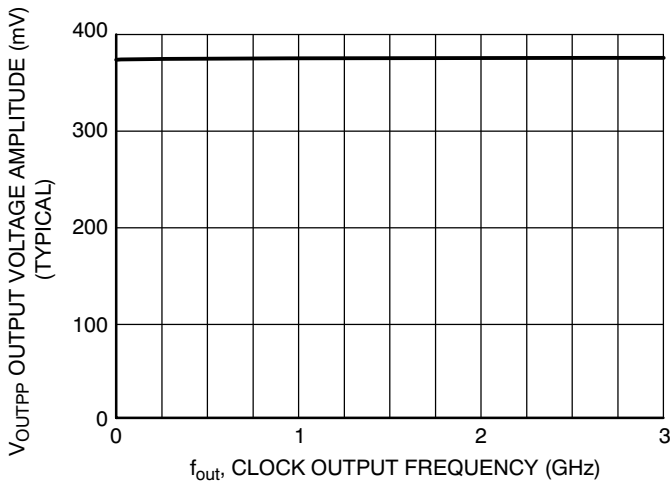


Figure 15. Output Voltage Amplitude (V_{OUTPP}) versus Output Frequency at Ambient Temperature (Typical)

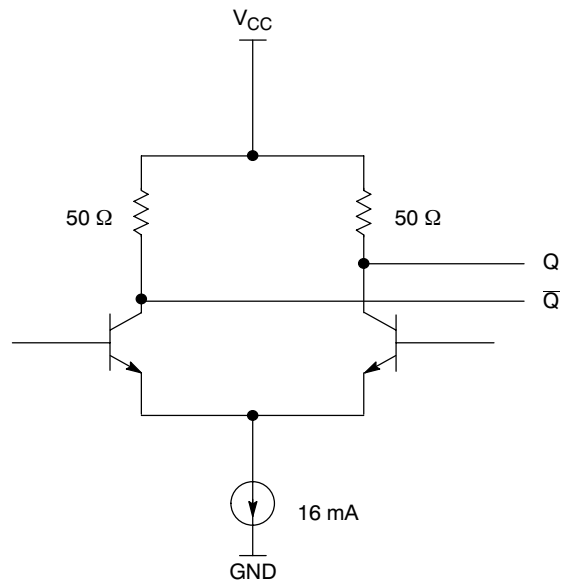


Figure 16. CML Output Structure

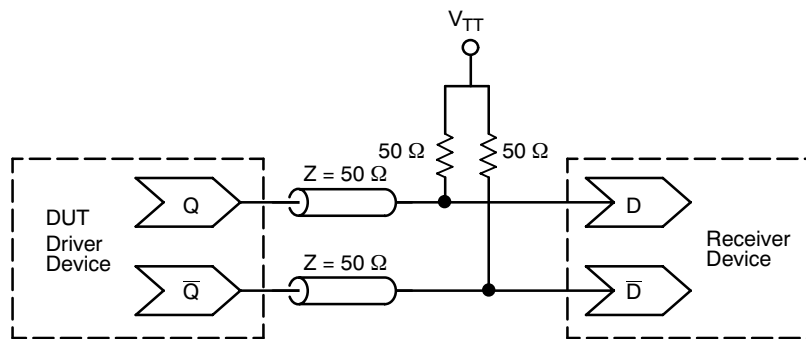


Figure 17. Typical CML Termination for Output Driver and Device Evaluation

ORDERING INFORMATION

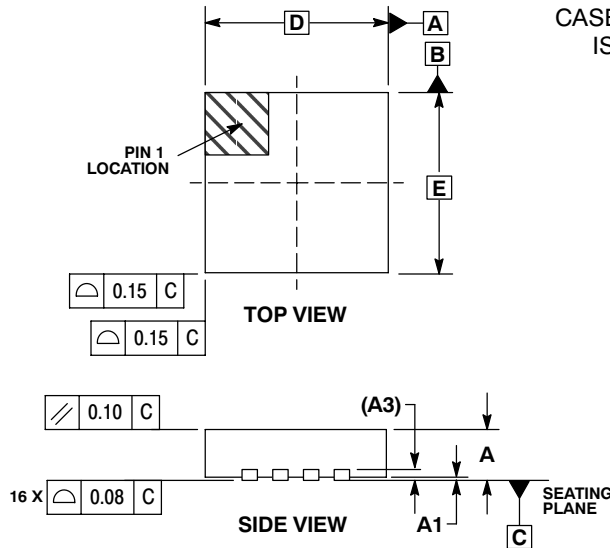
| Device | Package | Shipping [†] |
|--------------|---------------------|-----------------------|
| NB6L72MMNG | QFN-16 (Pb-free) | 123 Units / Rail |
| NB6L72MMNR2G | QFN-16 (Pb-free) | 3000 / Tape & Reel |

[†]For information on tape and reel specifications, including part orientation and tape sizes, please refer to our Tape and Reel Packaging Specifications Brochure, BRD8011/D.

NB6L72M

PACKAGE DIMENSIONS

16 PIN QFN
MN SUFFIX
CASE 485G-01
ISSUE C

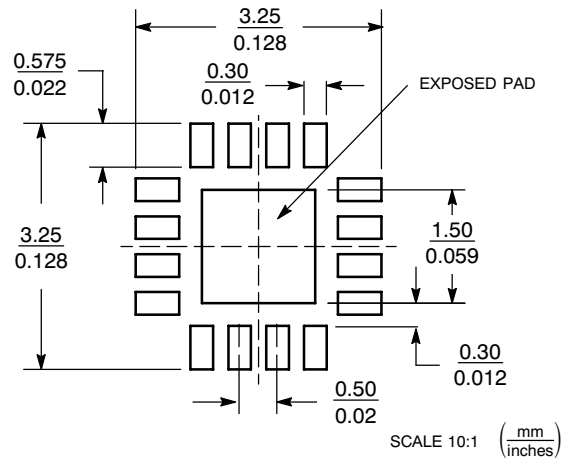


NOTES:

1. DIMENSIONING AND TOLERANCING PER ASME Y14.5M, 1994.
2. CONTROLLING DIMENSION: MILLIMETERS.
3. DIMENSION b APPLIES TO PLATED TERMINAL AND IS MEASURED BETWEEN 0.25 AND 0.30 MM FROM TERMINAL
4. COPLANARITY APPLIES TO THE EXPOSED PAD AS WELL AS THE TERMINALS.
5. L_{max} CONDITION CAN NOT VIOLATE 0.2 MM MINIMUM SPACING BETWEEN LEAD TIP AND FLAG

| MILLIMETERS | | |
|-------------|------|------|
| DIM | MIN | MAX |
| A | 0.80 | 1.00 |
| A1 | 0.00 | 0.05 |
| A3 | 0.20 | REF |
| b | 0.18 | 0.30 |
| D | 3.00 | BSC |
| D2 | 1.65 | 1.85 |
| E | 3.00 | BSC |
| E2 | 1.65 | 1.85 |
| e | 0.50 | BSC |
| K | 0.18 | TYP |
| L | 0.30 | 0.50 |

SOLDERING FOOTPRINT*



*For additional information on our Pb-Free strategy and soldering details, please download the ON Semiconductor Soldering and Mounting Techniques Reference Manual, SOLDERRM/D.

ECLinPS MAX is a trademark of Semiconductor Components Industries, LLC (SCILLC).

ON Semiconductor and are registered trademarks of Semiconductor Components Industries, LLC (SCILLC). SCILLC reserves the right to make changes without further notice to any products herein. SCILLC makes no warranty, representation or guarantee regarding the suitability of its products for any particular purpose, nor does SCILLC assume any liability arising out of the application or use of any product or circuit, and specifically disclaims any and all liability, including without limitation special, consequential or incidental damages. "Typical" parameters which may be provided in SCILLC data sheets and/or specifications can and do vary in different applications and actual performance may vary over time. All operating parameters, including "Typicals" must be validated for each customer application by customer's technical experts. SCILLC does not convey any license under its patent rights nor the rights of others. SCILLC products are not designed, intended, or authorized for use as components in systems intended for surgical implant into the body, or other applications intended to support or sustain life, or for any other application in which the failure of the SCILLC product could create a situation where personal injury or death may occur. Should Buyer purchase or use SCILLC products for any such unintended or unauthorized application, Buyer shall indemnify and hold SCILLC and its officers, employees, subsidiaries, affiliates, and distributors harmless against all claims, costs, damages, and expenses, and reasonable attorney fees arising out of, directly or indirectly, any claim of personal injury or death associated with such unintended or unauthorized use, even if such claim alleges that SCILLC was negligent regarding the design or manufacture of the part. SCILLC is an Equal Opportunity/Affirmative Action Employer. This literature is subject to all applicable copyright laws and is not for resale in any manner.

PUBLICATION ORDERING INFORMATION

LITERATURE FULFILLMENT:
Literature Distribution Center for ON Semiconductor
P.O. Box 5163, Denver, Colorado 80217 USA
Phone: 303-675-2175 or 800-344-3860 Toll Free USA/Canada
Fax: 303-675-2176 or 800-344-3867 Toll Free USA/Canada
Email: orderlit@onsemi.com

N. American Technical Support: 800-282-9855 Toll Free USA/Canada
Japan: ON Semiconductor, Japan Customer Focus Center
2-9-1 Kamimeguro, Meguro-ku, Tokyo, Japan 153-0051
Phone: 81-3-5773-3850

ON Semiconductor Website: <http://onsemi.com>
Order Literature: <http://www.onsemi.com/litorder>

For additional information, please contact your local Sales Representative.