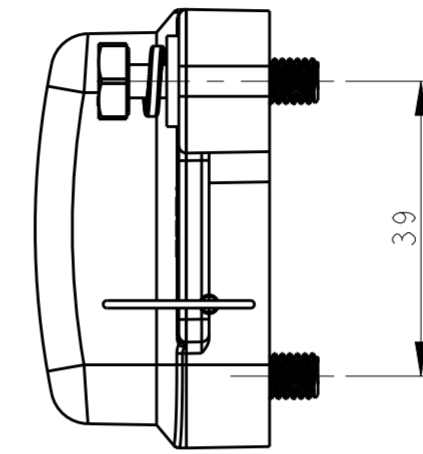
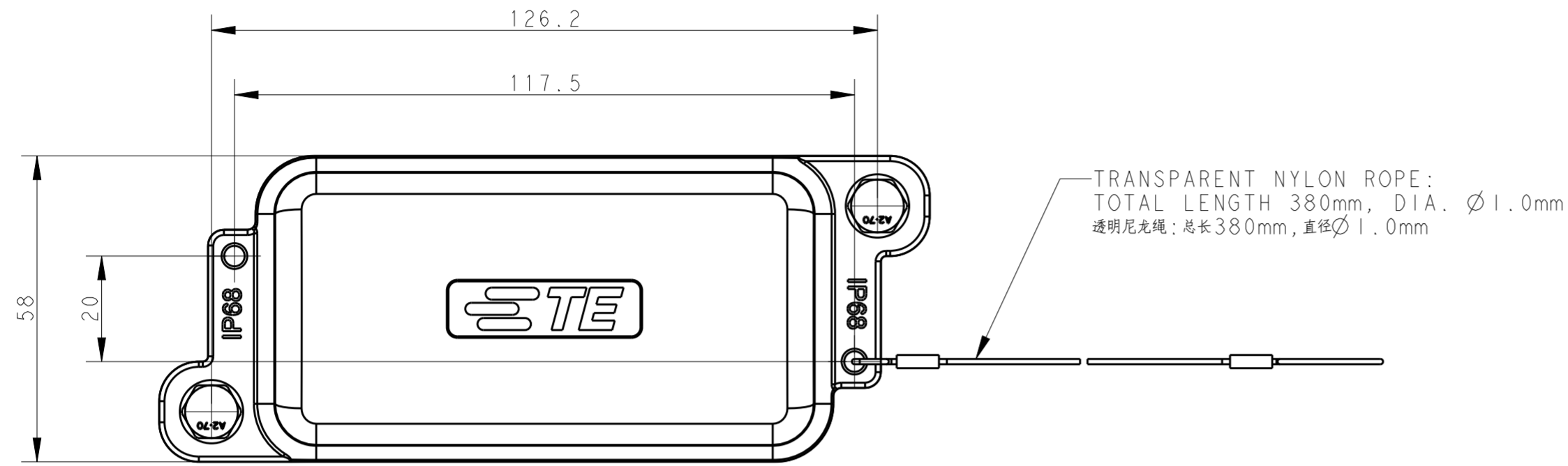
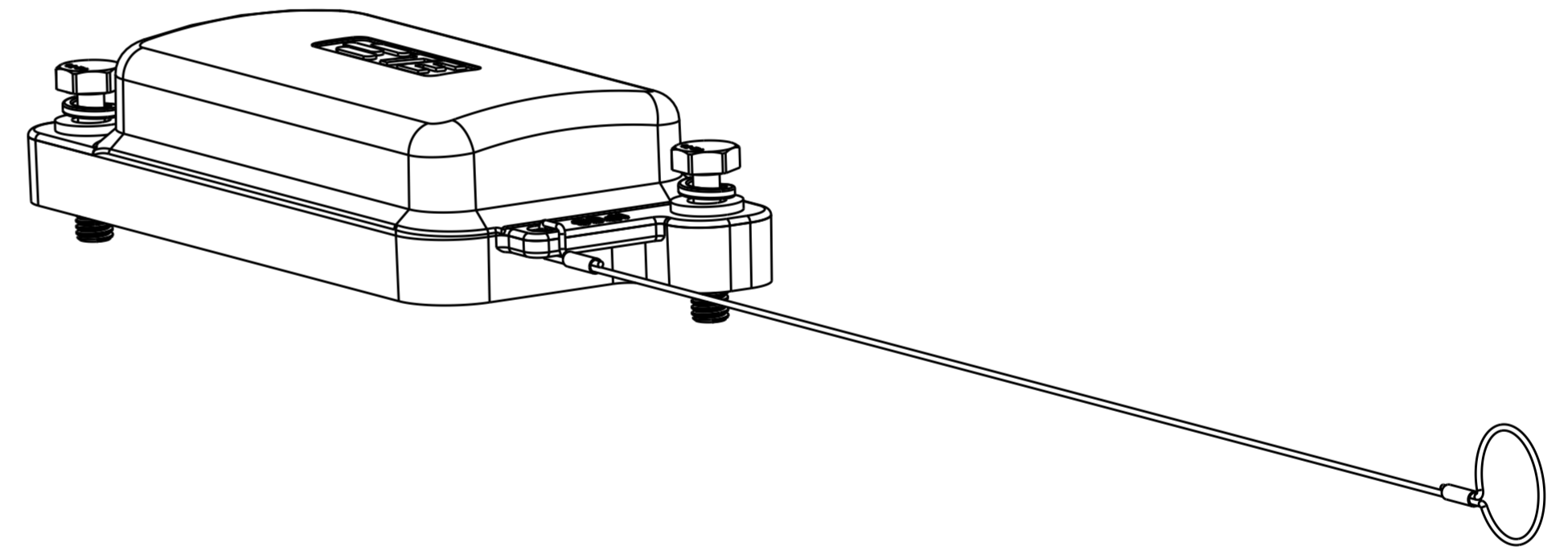
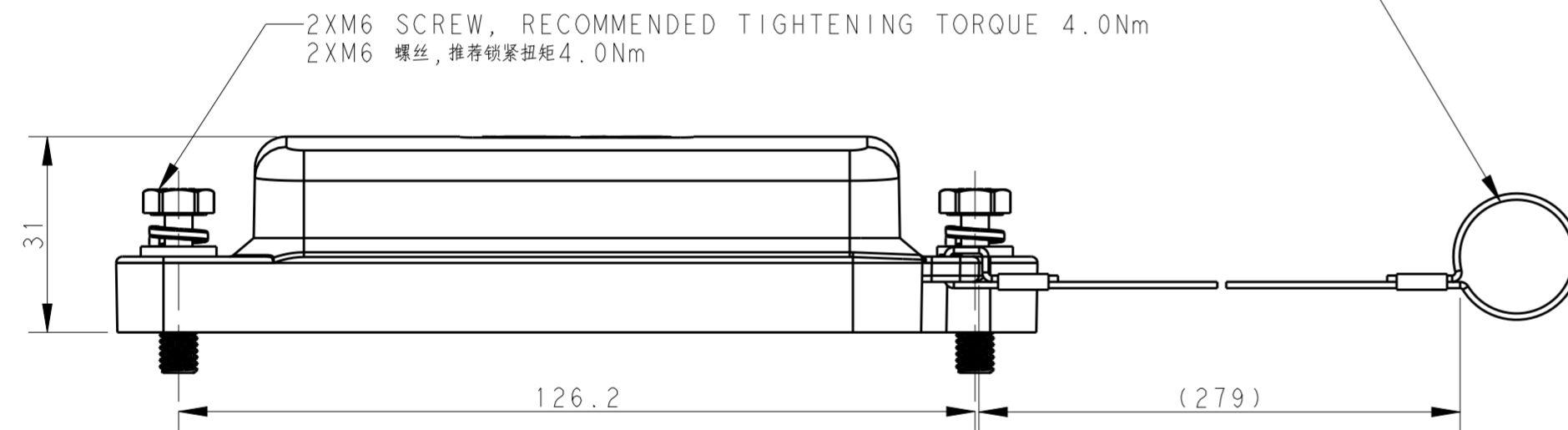


THIS DRAWING IS UNPUBLISHED. RELEASED FOR PUBLICATION 20  
 © COPYRIGHT 20 BY - ALL RIGHTS RESERVED.

REVISIONS				
P	LTR	DESCRIPTION	DATE	APVD
A		INITIAL RELEASE	22OCT2016	DW CW
A1		ECR-17-008404	10JUN2017	CH CW



LOOP SIZE DEFAULT VALUE DIA.  $\phi$ 18,  
 UNLESS HAVE SPECIAL REQUIREMENT.  
 套圈大小默认值直径是 $\phi$ 18, 除非有特别要求.



NOTES:  
 1. TECHNICAL CHARACTERISTICS:  
 COVER MATERIAL: DIE CAST ALUMINIUM ALLOY  
 SURFACE TREATMENT: SEE TABLE

注释  
 1. 技术参数:  
 壳体材料: 铝合金  
 表面处理: 见表格

T1990100000-009	H10BPR-KDBM-EMC-C	H10BPR HOUSING METAL PROTECTION COVER, DIAGONAL LOCKING, NYLON ROPE, PASSIVATION+POWDER COATED, BLACK / H10BPR对角锁定金属保护盖, 尼龙绳, 钝化+黑色粉末喷涂
PART NUMBER	PART DESCRIPTION	
料号	描述	

THIS DRAWING IS A CONTROLLED DOCUMENT.		DWN 22OCT2016 DAVID.WANG	TE Connectivity	
DIMENSIONS:		CHK 22OCT2016 CHRIS.WANG		
mm	TOLERANCES UNLESS OTHERWISE SPECIFIED:	APVD 22OCT2016 XIANG.XU	NAME H10BPR-KDBM-EMC-C	
	0 PLC $\pm$	PRODUCT SPEC	SIZE	CAGE CODE
	1 PLC $\pm$	-	A2	-
	2 PLC $\pm$	APPLICATION SPEC	DRAWING NO G-T1990100000009	
	3 PLC $\pm$	-	SCALE	1:1
	4 PLC $\pm$	WEIGHT	SHEET	1 OF 1
	ANGLES $\pm$	CUSTOMER DRAWING	REV	A1
	FINISH			