

V850ES/JG3-L (on-chip USB controller)

User's Manual: Hardware

RENESAS MCU

V850ES/Jx3-L Microcontrollers

μPD70F3794

μPD70F3795

μPD70F3796

All information contained in these materials, including products and product specifications, represents information on the product at the time of publication and is subject to change by Renesas Electronics Corp. without notice. Please review the latest information published by Renesas Electronics Corp. through various means, including the Renesas Electronics Corp. website (<http://www.renesas.com>).

Notice

1. Descriptions of circuits, software and other related information in this document are provided only to illustrate the operation of semiconductor products and application examples. You are fully responsible for the incorporation of these circuits, software, and information in the design of your equipment. Renesas Electronics assumes no responsibility for any losses incurred by you or third parties arising from the use of these circuits, software, or information.
2. Renesas Electronics has used reasonable care in preparing the information included in this document, but Renesas Electronics does not warrant that such information is error free. Renesas Electronics assumes no liability whatsoever for any damages incurred by you resulting from errors in or omissions from the information included herein.
3. Renesas Electronics does not assume any liability for infringement of patents, copyrights, or other intellectual property rights of third parties by or arising from the use of Renesas Electronics products or technical information described in this document. No license, express, implied or otherwise, is granted hereby under any patents, copyrights or other intellectual property rights of Renesas Electronics or others.
4. You should not alter, modify, copy, or otherwise misappropriate any Renesas Electronics product, whether in whole or in part. Renesas Electronics assumes no responsibility for any losses incurred by you or third parties arising from such alteration, modification, copy or otherwise misappropriation of Renesas Electronics product.
5. Renesas Electronics products are classified according to the following two quality grades: "Standard" and "High Quality". The recommended applications for each Renesas Electronics product depends on the product's quality grade, as indicated below.
"Standard": Computers; office equipment; communications equipment; test and measurement equipment; audio and visual equipment; home electronic appliances; machine tools; personal electronic equipment; and industrial robots etc.
"High Quality": Transportation equipment (automobiles, trains, ships, etc.); traffic control systems; anti-disaster systems; anti-crime systems; and safety equipment etc.

Renesas Electronics products are neither intended nor authorized for use in products or systems that may pose a direct threat to human life or bodily injury (artificial life support devices or systems, surgical implantations etc.), or may cause serious property damages (nuclear reactor control systems, military equipment etc.). You must check the quality grade of each Renesas Electronics product before using it in a particular application. You may not use any Renesas Electronics product for any application for which it is not intended. Renesas Electronics shall not be in any way liable for any damages or losses incurred by you or third parties arising from the use of any Renesas Electronics product for which the product is not intended by Renesas Electronics.
6. You should use the Renesas Electronics products described in this document within the range specified by Renesas Electronics, especially with respect to the maximum rating, operating supply voltage range, movement power voltage range, heat radiation characteristics, installation and other product characteristics. Renesas Electronics shall have no liability for malfunctions or damages arising out of the use of Renesas Electronics products beyond such specified ranges.
7. Although Renesas Electronics endeavors to improve the quality and reliability of its products, semiconductor products have specific characteristics such as the occurrence of failure at a certain rate and malfunctions under certain use conditions. Further, Renesas Electronics products are not subject to radiation resistance design. Please be sure to implement safety measures to guard them against the possibility of physical injury, and injury or damage caused by fire in the event of the failure of a Renesas Electronics product, such as safety design for hardware and software including but not limited to redundancy, fire control and malfunction prevention, appropriate treatment for aging degradation or any other appropriate measures. Because the evaluation of microcomputer software alone is very difficult, please evaluate the safety of the final products or systems manufactured by you.
8. Please contact a Renesas Electronics sales office for details as to environmental matters such as the environmental compatibility of each Renesas Electronics product. Please use Renesas Electronics products in compliance with all applicable laws and regulations that regulate the inclusion or use of controlled substances, including without limitation, the EU RoHS Directive. Renesas Electronics assumes no liability for damages or losses occurring as a result of your noncompliance with applicable laws and regulations.
9. Renesas Electronics products and technology may not be used for or incorporated into any products or systems whose manufacture, use, or sale is prohibited under any applicable domestic or foreign laws or regulations. You should not use Renesas Electronics products or technology described in this document for any purpose relating to military applications or use by the military, including but not limited to the development of weapons of mass destruction. When exporting the Renesas Electronics products or technology described in this document, you should comply with the applicable export control laws and regulations and follow the procedures required by such laws and regulations.
10. It is the responsibility of the buyer or distributor of Renesas Electronics products, who distributes, disposes of, or otherwise places the product with a third party, to notify such third party in advance of the contents and conditions set forth in this document, Renesas Electronics assumes no responsibility for any losses incurred by you or third parties as a result of unauthorized use of Renesas Electronics products.
11. This document may not be reproduced or duplicated in any form, in whole or in part, without prior written consent of Renesas Electronics.
12. Please contact a Renesas Electronics sales office if you have any questions regarding the information contained in this document or Renesas Electronics products, or if you have any other inquiries.

(Note 1) "Renesas Electronics" as used in this document means Renesas Electronics Corporation and also includes its majority-owned subsidiaries.

(Note 2) "Renesas Electronics product(s)" means any product developed or manufactured by or for Renesas Electronics.

NOTES FOR CMOS DEVICES

① VOLTAGE APPLICATION WAVEFORM AT INPUT PIN

Waveform distortion due to input noise or a reflected wave may cause malfunction. If the input of the CMOS device stays in the area between V_{IL} (MAX) and V_{IH} (MIN) due to noise, etc., the device may malfunction. Take care to prevent chattering noise from entering the device when the input level is fixed, and also in the transition period when the input level passes through the area between V_{IL} (MAX) and V_{IH} (MIN).

② HANDLING OF UNUSED INPUT PINS

Unconnected CMOS device inputs can be cause of malfunction. If an input pin is unconnected, it is possible that an internal input level may be generated due to noise, etc., causing malfunction. CMOS devices behave differently than Bipolar or NMOS devices. Input levels of CMOS devices must be fixed high or low by using pull-up or pull-down circuitry. Each unused pin should be connected to V_{DD} or GND via a resistor if there is a possibility that it will be an output pin. All handling related to unused pins must be judged separately for each device and according to related specifications governing the device.

③ PRECAUTION AGAINST ESD

A strong electric field, when exposed to a MOS device, can cause destruction of the gate oxide and ultimately degrade the device operation. Steps must be taken to stop generation of static electricity as much as possible, and quickly dissipate it when it has occurred. Environmental control must be adequate. When it is dry, a humidifier should be used. It is recommended to avoid using insulators that easily build up static electricity. Semiconductor devices must be stored and transported in an anti-static container, static shielding bag or conductive material. All test and measurement tools including work benches and floors should be grounded. The operator should be grounded using a wrist strap. Semiconductor devices must not be touched with bare hands. Similar precautions need to be taken for PW boards with mounted semiconductor devices.

④ STATUS BEFORE INITIALIZATION

Power-on does not necessarily define the initial status of a MOS device. Immediately after the power source is turned ON, devices with reset functions have not yet been initialized. Hence, power-on does not guarantee output pin levels, I/O settings or contents of registers. A device is not initialized until the reset signal is received. A reset operation must be executed immediately after power-on for devices with reset functions.

⑤ POWER ON/OFF SEQUENCE

In the case of a device that uses different power supplies for the internal operation and external interface, as a rule, switch on the external power supply after switching on the internal power supply. When switching the power supply off, as a rule, switch off the external power supply and then the internal power supply. Use of the reverse power on/off sequences may result in the application of an overvoltage to the internal elements of the device, causing malfunction and degradation of internal elements due to the passage of an abnormal current.

The correct power on/off sequence must be judged separately for each device and according to related specifications governing the device.

⑥ INPUT OF SIGNAL DURING POWER OFF STATE

Do not input signals or an I/O pull-up power supply while the device is not powered. The current injection that results from input of such a signal or I/O pull-up power supply may cause malfunction and the abnormal current that passes in the device at this time may cause degradation of internal elements. Input of signals during the power off state must be judged separately for each device and according to related specifications governing the device.

How to Use This Manual

- Readers** This manual is intended for users who wish to understand the functions of the V850ES/JG3-L and design application systems using these products.
- Purpose** This manual is intended to give users an understanding of the hardware functions of the V850ES/JG3-L shown in the **Organization** below.
- Organization** This manual is divided into two parts: Hardware (this manual) and Architecture (**V850ES Architecture User's Manual**).

Hardware

- Pin functions
- CPU function
- On-chip peripheral functions
- Flash memory programming
- Electrical specifications

Architecture

- Data types
- Register set
- Instruction format and instruction set
- Interrupts and exceptions
- Pipeline operation

- How to Read This Manual** It is assumed that the readers of this manual have general knowledge in the fields of electrical engineering, logic circuits, and microcontrollers.

To understand the overall functions of the V850ES/JG3-L
→ Read this manual according to the **CONTENTS**.

To find the details of a register where the name is known
→ Use **APPENDIX C REGISTER INDEX**.

Register format

→ The name of the bit whose number is in angle brackets (<>) in the figure of the register format of each register is defined as a reserved word in the device file.

To understand the details of an instruction function

→ Refer to the **V850ES Architecture User's Manual** available separately.

To know the electrical specifications of the V850ES/JG3-L

→ See **CHAPTER 33 ELECTRICAL SPECIFICATIONS (μ PD70F3794, 70F3795, 70F3796)**

The “yyy bit of the xxx register” is described as the “xxx.yyy bit” in this manual. Note with caution that if “xxx.yyy” is described as is in a program, however, the compiler/assembler cannot recognize it correctly.

The mark <R> shows major revised points. The revised points can be easily searched by copying an "<R>" in the PDF file and specifying it in the "Find what: " field.

Conventions

Data significance:	Higher digits on the left and lower digits on the right
Active low representation:	\overline{xxx} (overscore over pin or signal name)
Memory map address:	Higher addresses on the top and lower addresses on the bottom
Note:	Footnote for item marked with Note in the text
Caution:	Information requiring particular attention
Remark:	Supplementary information
Numeric representation:	Binary ... xxxx or xxxxB Decimal ... xxxx Hexadecimal ... xxxxH
Prefix indicating power of 2 (address space, memory capacity):	K (kilo): $2^{10} = 1,024$ M (mega): $2^{20} = 1,024^2$ G (giga): $2^{30} = 1,024^3$

Related Documents

The related documents indicated in this publication may include preliminary versions. However, preliminary versions are not marked as such.

Documents related to V850ES/JG3-L

Document Name	Document No.
V850ES Architecture User's Manual	U15943E
V850ES/JG3-L (on-chip USB controller) Hardware User's Manual	This manual

Documents related to development tools

Document Name	Document No.	
QB-V850ESJX3L In-Circuit Emulator	To be prepared	
QB-V850MINI, QB-V850MINIL On-Chip Debug Emulator	U17638E	
QB-MINI2 On-Chip Debug Emulator with Programming Function	U18371E	
CA850 Ver. 3.20 C Compiler Package	Operation	U18512E
	C Language	U18513E
	Assembly Language	U18514E
	Link Directives	U18415E
PM+ Ver. 6.30 Project Manager	U18416E	
ID850QB Ver. 3.40 Integrated Debugger	Operation	U18604E
SM850 Ver. 2.50 System Simulator	Operation	U16218E
SM850 Ver. 2.00 or Later System Simulator	External Part User Open Interface Specification	U14873E
SM+ System Simulator	Operation	U18601E
	User Open Interface	U18212E
RX850 Ver. 3.20 Real-Time OS	Basics	U13430E
	Installation	U17419E
	Technical	U13431E
	Task Debugger	U17420E
RX850 Pro Ver. 3.21 Real-Time OS	Basics	U18165E
	Installation	U17421E
	Task Debugger	U17422E
AZ850 Ver. 3.30 System Performance Analyzer	U17423E	
PG-FP5 Flash Memory Programmer	U18865E	

Other Documents

Document Name	Document No.
RENESAS MICROCOMPUTER GENERAL CATALOG	R01CS0001E
Semiconductor Package Mount Manual	Note
Quality Grades on Renesas Semiconductor Devices	C11531E
Renesas Semiconductor Device Reliability/Quality Control System	C10983E
Guide to Prevent Damage for Semiconductor Devices by Electrostatic Discharge (ESD)	C11892E

Note See the "Semiconductor Package Mount Manual" website (<http://www.renesas.com/products/package/manual/index.jsp>).

Caution The related documents listed above are subject to change without notice. Be sure to use the latest version of each document when designing.

Caution: This product uses SuperFlash® technology licensed from Silicon Storage Technology, Inc.

IECUBE is a registered trademark of Renesas Electronics Corporation in Japan and Germany.

MINICUBE is a registered trademark of Renesas Electronics Corporation in Japan and Germany or a trademark in the United States of America.

EEPROM is a trademark of Renesas Electronics Corporation

Applilet is a registered trademark of Renesas Electronics in Japan, Germany, Hong Kong, China, the Republic of Korea, the United Kingdom, and the United States of America.

Windows and Windows NT are either registered trademarks or trademarks of Microsoft Corporation in the United States and/or other countries.

SuperFlash is a registered trademark of Silicon Storage Technology, Inc. in several countries including the United States and Japan.

PC/AT is a trademark of International Business Machines Corporation.

SPARCstation is a trademark of SPARC International, Inc.

Solaris and SunOS are trademarks of Sun Microsystems, Inc.

TRON is an abbreviation of The Realtime Operating System Nucleus.

ITRON is an abbreviation of Industrial TRON.

Table of Contents

CHAPTER 1 INTRODUCTION.....	21
1.1 General	21
1.2 Features.....	23
1.3 Application Fields.....	25
1.4 Ordering Information.....	25
1.5 Pin Configuration (Top View)	26
1.6 Function Block Configuration	30
1.6.1 Internal block diagram	30
1.6.2 Internal units.....	31
CHAPTER 2 PIN FUNCTIONS	34
2.1 List of Pin Functions	34
2.2 Pin States	44
2.3 Pin I/O Circuit Types, I/O Buffer Power Supplies, and Connection of Unused Pins	45
2.4 Cautions	49
CHAPTER 3 CPU FUNCTION.....	50
3.1 Features.....	50
3.2 CPU Register Set	51
3.2.1 Program register set.....	52
3.2.2 System register set	53
3.3 Operation Modes	59
3.4 Address Space.....	60
3.4.1 CPU address space	60
3.4.2 Memory map	61
3.4.3 Areas.....	63
3.4.4 Wraparound of data space.....	67
3.4.5 Recommended use of address space.....	67
3.4.6 Peripheral I/O registers	71
3.4.7 Special registers.....	82
3.4.8 Registers to be set first	86
3.4.9 Cautions.....	87
CHAPTER 4 PORT FUNCTIONS	89
4.1 Features.....	89
4.2 Basic Port Configuration	89
4.3 Port Configuration	90
4.3.1 Port 0	96
4.3.2 Port 1	100
4.3.3 Port 3	102
4.3.4 Port 4	108

4.3.5	Port 5	110
4.3.6	Port 7	115
4.3.7	Port 9	117
4.3.8	Port CM	125
4.3.9	Port CT	127
4.3.10	Port DH	129
4.3.11	Port DL	131
4.4	Block Diagrams	134
4.5	Port Register Settings When Alternate Function Is Used	166
4.6	Cautions	174
4.6.1	Cautions on setting port pins	174
4.6.2	Cautions on bit manipulation instruction for port n register (Pn)	177
4.6.3	Cautions on on-chip debug pins	178
4.6.4	Cautions on P05/INTP2/ $\overline{\text{DRST}}$ pin	178
4.6.5	Cautions on P10, P11, and P53 pins when power is turned on	178
4.6.6	Hysteresis characteristics	178
CHAPTER 5	BUS CONTROL FUNCTION	179
5.1	Features	179
5.2	Bus Control Pins	180
5.2.1	Pin status when internal ROM, internal RAM, or on-chip peripheral I/O is accessed	180
5.2.2	Pin status in each operation mode	180
5.3	Memory Block Function	181
5.4	Bus Access	182
5.4.1	Number of clock cycles required for access	182
5.4.2	Bus size setting function	183
5.4.3	Access according to bus size	184
5.5	Wait Function	191
5.5.1	Programmable wait function	191
5.5.2	External wait function	192
5.5.3	Relationship between programmable wait and external wait	193
5.5.4	Programmable address wait function	194
5.6	Idle State Insertion Function	195
5.7	Bus Hold Function	196
5.7.1	Functional outline	196
5.7.2	Bus hold procedure	197
5.7.3	Operation in power save mode	197
5.8	Bus Priority	198
5.9	Bus Timing	199
CHAPTER 6	CLOCK GENERATOR	203
6.1	Overview	203
6.2	Configuration	204
6.3	Registers	207

6.4	Operations	213
6.4.1	Operation of each clock	213
6.4.2	Clock output function.....	214
6.4.3	External clock signal input.....	214
6.5	PLL Function	214
6.5.1	Overview	214
6.5.2	Registers.....	215
6.5.3	Usage.....	219
6.6	How to Connect a Resonator	220
6.6.1	Main clock oscillator	220
6.6.2	Subclock oscillator	220
CHAPTER 7	16-BIT TIMER/EVENT COUNTER P (TMP)	223
7.1	Overview	223
7.2	Configuration	224
7.2.1	Pins used by TMPn.....	226
7.2.2	Interrupts.....	227
7.3	Registers	228
7.4	Operations	240
7.4.1	Interval timer mode (TPnMD2 to TPnMD0 bits = 000)	247
7.4.2	External event count mode (TPnMD2 to TPnMD0 bits = 001)	258
7.4.3	External trigger pulse output mode (TPnMD2 to TPnMD0 bits = 010)	267
7.4.4	One-shot pulse output mode (TPnMD2 to TPnMD0 bits = 011).....	279
7.4.5	PWM output mode (TPnMD2 to TPnMD0 bits = 100)	287
7.4.6	Free-running timer mode (TPnMD2 to TPnMD0 bits = 101).....	296
7.4.7	Pulse width measurement mode (TPnMD2 to TPnMD0 bits = 110).....	312
7.4.8	Timer output operations	316
7.5	Selector	317
7.6	Cautions	318
CHAPTER 8	16-BIT TIMER/EVENT COUNTER Q (TMQ)	319
8.1	Functions	319
8.2	Configuration	320
8.2.1	Pins used by TMQ0.....	322
8.2.2	Interrupts.....	322
8.3	Registers	323
8.4	Operations	338
8.4.1	Interval timer mode (TQ0MD2 to TQ0MD0 bits = 000).....	345
8.4.2	External event count mode (TQ0MD2 to TQ0MD0 bits = 001).....	357
8.4.3	External trigger pulse output mode (TQ0MD2 to TQ0MD0 bits = 010).....	367
8.4.4	One-shot pulse output mode (TQ0MD2 to TQ0MD0 bits = 011)	382
8.4.5	PWM output mode (TQ0MD2 to TQ0MD0 bits = 100).....	392
8.4.6	Free-running timer mode (TQ0MD2 to TQ0MD0 bits = 101)	403
8.4.7	Pulse width measurement mode (TQ0MD2 to TQ0MD0 bits = 110)	423

8.4.8	Timer output operations.....	428
8.5	Cautions	429
CHAPTER 9	16-BIT INTERVAL TIMER M (TMM).....	430
9.1	Features.....	430
9.2	Configuration	431
9.3	Registers	432
9.4	Operation.....	434
9.4.1	Interval timer mode	434
9.4.2	Cautions.....	438
CHAPTER 10	WATCH TIMER.....	439
10.1	Functions.....	439
10.2	Configuration	440
10.3	Control Registers.....	442
10.4	Operation.....	446
10.4.1	Watch timer operations	446
10.4.2	Interval timer operations	447
10.5	Cautions	449
CHAPTER 11	REAL-TIME COUNTER.....	450
11.1	Functions.....	450
11.2	Configuration	451
11.2.1	Pin configuration	453
11.2.2	Interrupt functions	453
11.3	Registers	454
11.4	Operation.....	469
11.4.1	Initial settings	469
11.4.2	Rewriting each counter during real-time counter operation.....	470
11.4.3	Reading each counter during real-time counter operation	471
11.4.4	Changing INTRTC0 interrupt setting during real-time counter operation	472
11.4.5	Changing INTRTC1 interrupt setting during real-time counter operation	473
11.4.6	Initial INTRTC2 interrupt settings.....	474
11.4.7	Changing INTRTC2 interrupt setting during real-time counter operation	475
11.4.8	Initializing real-time counter	476
11.4.9	Watch error correction example of real-time counter	477
CHAPTER 12	WATCHDOG TIMER 2	481
12.1	Functions.....	481
12.2	Configuration	482
12.3	Registers	483
12.4	Operation.....	485
CHAPTER 13	REAL-TIME OUTPUT FUNCTION (RTO).....	486
13.1	Function.....	486

13.2	Configuration	487
13.3	Registers	489
13.4	Operation	491
13.5	Usage	492
13.6	Cautions	492
CHAPTER 14	A/D CONVERTER	493
14.1	Overview	493
14.2	Functions.....	493
14.3	Configuration	494
14.4	Registers	497
14.5	Operation.....	508
14.5.1	Basic operation	508
14.5.2	Conversion timing	509
14.5.3	Trigger modes.....	510
14.5.4	Operation mode	512
14.5.5	Power-fail compare mode	518
14.6	Cautions	525
14.7	How to Read A/D Converter Characteristics Table.....	530
CHAPTER 15	D/A CONVERTER	534
15.1	Functions.....	534
15.2	Configuration	535
15.3	Registers	536
15.4	Operation.....	538
15.4.1	Operation in normal mode	538
15.4.2	Operation in real-time output mode.....	538
15.4.3	Cautions.....	539
CHAPTER 16	ASYNCHRONOUS SERIAL INTERFACE A (UARTA).....	540
16.1	Features.....	540
16.2	Configuration	541
16.2.1	Pin functions of each channel	543
16.3	Mode Switching of UARTA and Other Serial Interfaces	544
16.3.1	UARTA0 and CSIB4 mode switching.....	544
16.3.2	UARTA1 and I ² C02 mode switching.....	545
16.3.3	UARTA2 and I ² C00 mode switching.....	546
16.4	Registers	547
16.5	Interrupt Request Signals.....	554
16.6	Operation	555
16.6.1	Data format	555
16.6.2	UART transmission	557
16.6.3	Continuous transmission procedure.....	558
16.6.4	UART reception	560

16.6.5	Reception errors	562
16.6.6	Parity types and operations	564
16.6.7	LIN transmission/reception format	565
16.6.8	SBF transmission.....	567
16.6.9	SBF reception	568
16.6.10	Receive data noise filter	569
16.7	Dedicated Baud Rate Generator	570
16.8	Cautions	578
CHAPTER 17	ASYNCHRONOUS SERIAL INTERFACE C (UARTC).....	579
17.1	Features.....	579
17.2	Configuration	580
17.2.1	Pin functions of each channel	582
17.3	Mode Switching of UARTC and Other Serial Interfaces	583
17.3.1	UARTC0 and CSIB1 mode switching.....	583
17.4	Registers	584
17.5	Interrupt Request Signals.....	593
17.6	Operation.....	594
17.6.1	Data format.....	594
17.6.2	UART transmission.....	596
17.6.3	Continuous transmission procedure.....	597
17.6.4	UART reception	599
17.6.5	Reception errors	601
17.6.6	Parity types and operations	603
17.6.7	LIN transmission/reception format	604
17.6.8	SBF transmission.....	606
17.6.9	SBF reception	607
17.6.10	Receive data noise filter	608
17.7	Dedicated Baud Rate Generator	609
17.8	Cautions	617
CHAPTER 18	CLOCKED SERIAL INTERFACE B (CSIB).....	618
18.1	Features.....	618
18.2	Configuration	619
18.2.1	Pin functions of each channel	620
18.3	Mode Switching of CSIB and Other Serial Interfaces	621
18.3.1	CSIB0 and I ² C01 mode switching	621
18.3.2	CSIB4 and UARTA0 mode switching.....	622
18.4	Registers	623
18.5	Interrupt Request Signals.....	632
18.6	Operation.....	633
18.6.1	Single transfer mode (master mode, transmission mode).....	633
18.6.2	Single transfer mode (master mode, reception mode).....	635
18.6.3	Single transfer mode (master mode, transmission/reception mode).....	637

18.6.4	Single transfer mode (slave mode, transmission mode)	639
18.6.5	Single transfer mode (slave mode, reception mode)	641
18.6.6	Single transfer mode (slave mode, transmission/reception mode)	644
18.6.7	Continuous transfer mode (master mode, transmission mode)	646
18.6.8	Continuous transfer mode (master mode, reception mode)	648
18.6.9	Continuous transfer mode (master mode, transmission/reception mode)	651
18.6.10	Continuous transfer mode (slave mode, transmission mode)	655
18.6.11	Continuous transfer mode (slave mode, reception mode)	657
18.6.12	Continuous transfer mode (slave mode, transmission/reception mode)	660
18.6.13	Reception errors	663
18.6.14	Clock timing	664
18.7	Output Pins	666
18.8	Baud Rate Generator	667
18.8.1	Baud rate generation	668
18.9	Cautions	669
CHAPTER 19	I²C BUS	670
19.1	Mode Switching of I²C Bus and Other Serial Interfaces	670
19.1.1	UARTA2 and I ² C00 mode switching	670
19.1.2	CSIB0 and I ² C01 mode switching	671
19.1.3	UARTA1 and I ² C02 mode switching	672
19.2	Features	673
19.3	Configuration	674
19.4	Registers	678
19.5	I²C Bus Mode Functions	694
19.5.1	Pin configuration	694
19.6	I²C Bus Definitions and Control Methods	695
19.6.1	Start condition	695
19.6.2	Addresses	696
19.6.3	Transfer direction specification	697
19.6.4	$\overline{\text{ACK}}$	698
19.6.5	Stop condition	699
19.6.6	Wait state	700
19.6.7	Wait state cancellation method	702
19.7	I²C Interrupt Request Signals (INTIICn)	703
19.7.1	Master device operation	703
19.7.2	Slave device operation (when receiving slave address data (address match))	706
19.7.3	Slave device operation (when receiving extension code)	710
19.7.4	Operation without communication	714
19.7.5	Operation when arbitration loss occurs (operation as slave after arbitration loss)	714
19.7.6	Operation when arbitration loss occurs (no communication after arbitration loss)	716
19.8	Interrupt Request Signal (INTIICn) Generation Timing and Wait Control	723
19.9	Address Match Detection Method	725
19.10	Error Detection	725

19.11 Extension Code	725
19.12 Arbitration	726
19.13 Wakeup Function	727
19.14 Communication Reservation	728
19.14.1 When communication reservation function is enabled (IICFn.IICRSVn bit = 0)	728
19.14.2 When communication reservation function is disabled (IICFn.IICRSVn bit = 1)	732
19.15 Cautions	733
19.16 Communication Operations	734
19.16.1 Master operation in single master system	735
19.16.2 Master operation in multimaster system	736
19.16.3 Slave operation.....	739
19.17 Timing of Data Communication	742
CHAPTER 20 USB FUNCTION CONTROLLER (USBF)	749
20.1 Overview	749
20.2 Configuration	750
20.2.1 Block diagram	750
20.2.2 USB memory map	751
20.3 External Circuit Configuration	752
20.3.1 Outline	752
20.3.2 Connection configuration	753
20.4 Cautions	755
20.5 Requests	756
20.5.1 Automatic requests	756
20.5.2 Other requests	763
20.6 Register Configuration	764
20.6.1 USB control registers	764
20.6.2 USB function controller register list.....	765
20.6.3 EPC control registers	781
20.6.4 Data hold registers.....	833
20.6.5 EPC request data registers.....	856
20.6.6 Bridge register	871
20.6.7 DMA register.....	875
20.6.8 Bulk-in register.....	879
20.6.9 Bulk-out register.....	880
20.6.10 Peripheral control registers.....	882
20.7 STALL Handshake or No Handshake	886
20.8 Register Values in Specific Status	887
20.9 FW Processing	889
20.9.1 Initialization processing.....	891
20.9.2 Interrupt servicing	894
20.9.3 USB main processing	895
20.9.4 Suspend/Resume processing	921
20.9.5 Processing after power application	924

20.9.6	Receiving data for bulk transfer (OUT) in DMA mode.....	927
20.9.7	Transmitting data for bulk transfer (IN) in DMA mode.....	932
CHAPTER 21	DMA FUNCTION (DMA CONTROLLER)	937
21.1	Features.....	937
21.2	Configuration	938
21.3	Registers	940
21.4	Transfer Sources and Destinations.....	948
21.5	Transfer Modes.....	948
21.6	Transfer Types.....	949
21.7	DMA Channel Priorities.....	950
21.8	Time Related to DMA Transfer	951
21.9	DMA Transfer Start Factors.....	952
21.10	DMA Abort Factors	953
21.11	End of DMA Transfer	953
21.12	Operation Timing	953
21.13	Cautions	958
CHAPTER 22	INTERRUPT SERVICING/EXCEPTION PROCESSING FUNCTION.....	963
22.1	Features.....	963
22.2	Non-Maskable Interrupts	967
22.2.1	Operation	969
22.2.2	Restoration	970
22.2.3	NP flag.....	971
22.3	Maskable Interrupts.....	972
22.3.1	Operation	972
22.3.2	Restoration	974
22.3.3	Priorities of maskable interrupts.....	975
22.3.4	Interrupt control register (xxICn)	979
22.3.5	Interrupt mask registers 0 to 3 (IMR0 to IMR3).....	981
22.3.6	In-service priority register (ISPR).....	983
22.3.7	ID flag	984
22.3.8	Watchdog timer mode register 2 (WDTM2)	984
22.4	Software Exception	985
22.4.1	Operation	985
22.4.2	Restoration	986
22.4.3	EP flag	987
22.5	Exception Trap.....	988
22.5.1	Illegal opcode.....	988
22.5.2	Debug trap.....	990
22.6	Multiple Interrupt Servicing Control	992
22.7	External Interrupt Request Input Pins (NMI, INTP0 to INTP7).....	993
22.7.1	Noise elimination.....	993
22.7.2	Edge detection.....	993

22.8	Interrupt Response Time of CPU	999
22.9	Periods in Which Interrupts Are Not Acknowledged by CPU	1000
22.10	Cautions	1000
22.10.1	Restored PC	1000
CHAPTER 23	KEY INTERRUPT FUNCTION	1001
23.1	Function.....	1001
23.2	Pin Functions.....	1002
23.3	Registers	1002
23.4	Cautions	1003
CHAPTER 24	STANDBY FUNCTION	1004
24.1	Overview.....	1004
24.2	Registers	1006
24.3	HALT Mode.....	1011
24.3.1	Setting and operation status	1011
24.3.2	Releasing HALT mode.....	1011
24.4	IDLE1 Mode	1013
24.4.1	Setting and operation status	1013
24.4.2	Releasing IDLE1 mode	1014
24.5	IDLE2 Mode	1016
24.5.1	Setting and operation status	1016
24.5.2	Releasing IDLE2 mode	1017
24.5.3	Securing setup time when releasing IDLE2 mode	1019
24.6	STOP Mode/Low-Voltage STOP Mode.....	1020
24.6.1	Setting and operation status	1020
24.6.2	Releasing STOP mode/low-voltage STOP mode.....	1024
24.6.3	Re-setting after release of low-voltage STOP mode.....	1025
24.6.4	Securing oscillation stabilization time when releasing STOP mode	1026
24.7	Subclock Operation Mode/Low-Voltage Subclock Operation Mode.....	1027
24.7.1	Setting and operation status	1027
24.7.2	Releasing subclock operation mode	1031
24.7.3	Releasing low-voltage subclock operation mode	1031
24.8	Sub-IDLE Mode/Low-Voltage Sub-IDLE Mode.....	1032
24.8.1	Setting and operation status	1032
24.8.2	Releasing sub-IDLE mode/low-voltage sub-IDLE mode	1035
24.9	RTC backup Mode	1036
24.9.1	Registers.....	1036
24.9.2	RTC backup mode setting conditions	1038
24.9.3	RTC backup mode setting procedure	1039
CHAPTER 25	RESET FUNCTION.....	1046
25.1	Overview.....	1046
25.2	Configuration	1047

25.3	Register to Check Reset Source	1048
25.4	Operation	1049
25.4.1	Reset operation via $\overline{\text{RESET}}$ pin	1049
25.4.2	Reset operation by watchdog timer 2	1052
25.4.3	Reset operation by low-voltage detector	1054
25.4.4	Operation immediately after reset ends	1055
25.4.5	Reset function operation	1057
25.5	Cautions	1058
CHAPTER 26 CLOCK MONITOR		1059
26.1	Functions	1059
26.2	Configuration	1059
26.3	Registers	1060
26.4	Operation	1061
CHAPTER 27 LOW-VOLTAGE DETECTOR (LVI)		1064
27.1	Functions	1064
27.2	Configuration	1064
27.3	Registers	1065
27.4	Operation	1067
27.4.1	To use for internal reset signal	1067
27.4.2	To use for interrupt	1068
CHAPTER 28 CRC FUNCTION		1069
28.1	Functions	1069
28.2	Configuration	1069
28.3	Registers	1070
28.4	Operation	1071
28.5	Usage	1072
CHAPTER 29 REGULATOR		1074
29.1	Outline	1074
29.2	Operation	1075
CHAPTER 30 OPTION BYTE		1076
30.1	Program Example	1078
CHAPTER 31 FLASH MEMORY		1079
31.1	Features	1079
31.2	Memory Configuration	1080
31.3	Functional Outline	1081
31.4	Rewriting by Dedicated Flash Memory Programmer	1084
31.4.1	Programming environment	1084
31.4.2	Communication mode	1085
31.4.3	Interface	1087

31.4.4	Flash memory control	1092
31.4.5	Selection of communication mode	1093
31.4.6	Communication commands	1094
31.4.7	Pin connection in on-board programming	1095
31.5	Rewriting by Self Programming	1099
31.5.1	Overview	1099
31.5.2	Features	1100
31.5.3	Standard self programming flow	1101
31.5.4	Flash functions	1102
31.5.5	Pin processing	1102
31.5.6	Internal resources used	1103
CHAPTER 32	ON-CHIP DEBUG FUNCTION	1104
32.1	Debugging with DCU	1106
32.1.1	Connection circuit example	1106
32.1.2	Interface signals	1107
32.1.3	Mask function	1108
32.1.4	Registers	1109
32.1.5	Operation	1110
32.1.6	Cautions	1111
32.2	Debugging Without Using DCU	1112
32.2.1	Circuit connection examples	1112
32.2.2	Mask function	1114
32.2.3	Allocation of user resources	1115
32.2.4	Cautions	1122
32.3	ROM Security Function	1123
32.3.1	Security ID	1123
32.3.2	Setting	1124
CHAPTER 33	ELECTRICAL SPECIFICATIONS (μ PD70F3794, 70F3795, 70F3796)	1125
33.1	Absolute Maximum Ratings	1125
33.2	Capacitance	1126
33.3	Operating Conditions	1127
33.4	Oscillator Characteristics	1128
33.4.1	Main clock oscillator characteristics	1128
33.4.2	Subclock oscillator characteristics	1132
33.4.3	PLL characteristics	1134
33.4.4	Internal oscillator characteristics	1134
33.5	Regulator Characteristics	1135
33.6	DC Characteristics	1136
33.6.1	Pin characteristics	1136
33.6.2	Supply current characteristics	1138
33.6.3	Data retention characteristics (in STOP mode)	1139
33.7	AC Characteristics	1140

33.7.1 Measurement conditions	1140
33.7.2 CLKOUT output timing	1141
33.7.3 Bus timing	1142
33.7.4 Power on/power off/reset timing	1149
33.8 Peripheral Function Characteristics	1150
33.8.1 Interrupt timing	1150
33.8.2 Key return timing	1150
33.8.3 Timer timing	1150
33.8.4 UART timing	1151
33.8.5 CSIB timing	1151
33.8.6 I ² C bus mode	1153
33.8.7 A/D converter	1154
33.8.8 D/A converter	1155
33.8.9 LVI circuit characteristics	1155
33.8.10 RTC back-up mode characteristics	1156
33.9 Flash Memory Programming Characteristics	1157
CHAPTER 34 PACKAGE DRAWINGS	1159
CHAPTER 35 RECOMMENDED SOLDERING CONDITIONS	1161
APPENDIX A DEVELOPMENT TOOLS	1163
A.1 Software Package	1165
A.2 Language Processing Software	1165
A.3 Control Software	1165
A.4 Debugging Tools (Hardware)	1166
A.4.1 When using IECUBE [®] QB-V850ESJX3L	1166
A.4.2 When using MINICUBE QB-V850MINI	1169
A.4.3 When using MINICUBE2 QB-MINI2	1170
A.5 Debugging Tools (Software)	1171
A.6 Embedded Software	1172
A.7 Flash Memory Writing Tools	1173
APPENDIX B MAJOR DIFFERENCES BETWEEN PRODUCTS	1174
APPENDIX C REGISTER INDEX	1177
APPENDIX D INSTRUCTION SET LIST	1196
D.1 Conventions	1196
D.2 Instruction Set (in Alphabetical Order)	1199

CHAPTER 1 INTRODUCTION

The V850ES/JG3-L is one of the products in the Renesas Electronics V850 single-chip microcontroller series designed for low-power operation for real-time control applications.

1.1 General

The V850ES/JG3-L is a 32-bit single-chip microcontroller that includes the V850ES CPU core and peripheral functions such as ROM/RAM, timer/counters, serial interfaces, an A/D converter, a D/A converter, USB function controller.

In addition to high real-time response characteristics and 1-clock-pitch basic instructions, the V850ES/JG3-L features multiply instructions, saturated operation instructions, bit manipulation instructions, etc., realized by a hardware multiplier, as optimum instructions for digital servo control applications. Moreover, as a real-time control system, the V850ES/JG3-L enables an extremely high cost-performance for applications that require USB function controller, such as PC peripheral device, ECR peripheral device, and industrial instrument.

Table 1-1. V850ES/JG3-L Product List

Generic Name		V850ES/JG3-L		
Part Number		μ PD70F3794	μ PD70F3795	μ PD70F3796
Internal memory	Flash memory	256 KB	384 KB	512 KB
	RAM	40 KB		
Memory space	Logical space	64 MB		
	External memory area	13 MB		
External bus interface		Address bus: 6 Address data bus: 16 Multiplexed bus mode		
General-purpose register		32 bits \times 32 registers		
Clock	Main clock (oscillation frequency)	Ceramic/crystal (in PLL mode: $f_x = 2.5$ to 6 MHz (multiplied by 4/8), in clock through mode: $f_x = 2.5$ to 10 MHz) External clock (in PLL mode: $f_x = 2.5$ to 6 MHz (multiplied by 4/8), in clock through mode: $f_x = 2.5$ to 6 MHz)		
	Subclock (oscillation frequency)	Crystal ($f_{XT} = 32.768$ kHz)		
	Internal oscillator	$f_R = 220$ kHz (TYP.)		
	Minimum instruction execution time	50 ns (main clock (f_{XX}) = 20 MHz: When USB is not used) 62.5 ns (main clock (f_{XX}) = 16 MHz: When USB is used)		
I/O port		I/O: 80 (5 V tolerant/N-ch open-drain output selectable: 28)		
Timer	16-bit TMP	6 channels		
	16-bit TMQ	1 channel		
	16-bit TMM	1 channel		
	Watch timer	1 channel		
	RTC	1 channel		
	WDT	1 channel		
Real-time output port		4 bits \times 1 channel, 2 bits \times 1 channel, or 6 bits \times 1 channel		
10-bit A/D converter		12 channels		
8-bit D/A converter		2 channels		
Serial interface	CSIB	3 channels		
	UARTA/CSIB	1 channel		
	CSIB/I ² C bus	1 channel		
	UARTA/I ² C bus	2 channels		
	UARTA	3 channels		
	UARTC	1 channel		
USB function		1 channel		
DMA controller		4 channels (transfer target: on-chip peripheral I/O, internal RAM, external memory)		
Interrupt source	External	9 (9) ^{Note}		
	Internal	55		
Power save function		HALT/IDLE1/IDLE2/STOP/subclock/sub-IDLE/ low-voltage STOP/low-voltage subclock/low-voltage sub-IDLE mode/RTC backup mode		
Reset source		RESET pin input, watchdog timer 2 (WDT2), clock monitor (CLM), low-voltage detector (LVI)		
CRC function		16-bit error detection code generated for 8-bit unit data		
On-chip debug		MINICUBE [®] , MINICUBE2 supported		
Operating power supply voltage		2.0 V@2.5 MHz, 2.2 V@5 MHz, 2.7 V@20 MHz, 3.0 V to 3.6 V (USB operating)		
Operating ambient temperature		-40 to +85°C		
Package		100-pin LQFP (14 \times 14 mm) 121-pin FBGA (8 \times 8 mm)		

Note The figure in parentheses indicates the number of external interrupts that can release the STOP mode.

1.2 Features

- Minimum instruction execution time: 50 ns (operating on main clock (f_{xx}) of 20 MHz: V_{DD} = 2.7 to 3.6 V)
 (In PLL mode: ×4 : 5 MHz)
 62.5 ns (operating on main clock (f_{xx}) of 16 MHz: V_{DD} = 3.0 to 3.6 V)
 (In PLL mode: ×8, 1/3 : 6 MHz)
 200 ns (operating on main clock (f_{xx}) of 5 MHz: V_{DD} = 2.2 to 3.6 V)
 (In clock-through mode)
 400 ns (operating on main clock (f_{xx}) of 2.5 MHz: V_{DD} = 2.0 to 3.6 V)
 (In clock-through mode)
 30.5 μs (operating on subclock (f_{xT}) of 32.768 kHz: V_{DD} = 2.0 to 3.6 V)
- General-purpose registers: 32 bits × 32 registers
- CPU features:
 - Signed multiplication (16 × 16 → 32): 1 to 2 clocks
 - Signed multiplication (32 × 32 → 64): 1 to 5 clocks
 - Saturated operations (overflow and underflow detection functions included)
 - Most instructions can be executed in 1 clock cycle by using 32-bit RISC-based 5-stage pipeline architecture
 - Instruction fetching from internal ROM and accessing internal RAM for data can be executed separately, by using Harvard architecture
 - High code efficiency achieved by using variable length instructions
 - 32-bit shift instruction: 1 clock cycle
 - Bit manipulation instructions
 - Load/store instructions with long/short format
- Memory space:
 - 64 MB of linear address space (for programs and data)
 - External expansion: Up to 16 MB (including 1 MB used as internal ROM/RAM)
 - Internal memory:
 - RAM: 40 K (see **Table 1-1**)
 - Flash memory: 256 K/384 K/512 K (see **Table 1-1**)
 - External bus interface:
 - Multiplexed bus mode
 - 8/16 bit data bus sizing function
 - Wait function
 - Programmable wait function
 - External wait function
 - Idle state function
 - Bus hold function
- Interrupts and exceptions:

	Internal			external:		
	maskable	Non-maskable	total	maskable	Non-maskable	total
μPD70F3794	1	54	55	1	8	9
μPD70F3795	1	54	55	1	8	9
μPD70F3796	1	54	55	1	8	9

Software exceptions: 32 sources

Exception trap: 2 sources

- Ports: I/O ports: 80

- Timer function:
 - 16-bit interval timer M (TMM): 1 channel
 - 16-bit timer/event counter P (TMP): 6 channels
 - 16-bit timer/event counter Q (TMQ): 1 channel
 - Watch timer: 1 channel
 - Watchdog timer: 1 channel
- Real-time counter: 1 channel
- Real-time output port: 6 bits × 1 channel
- Serial interface:
 - Asynchronous serial interface A (UARTA)
 - 3-wire variable-length serial interface B (CSIB)
 - I²C bus interface (I²C)
 - UARTA/CSIB: 1 channel
 - UARTA/I²C: 2 channels
 - CSIB/I²C: 1 channel
 - CSIB: 3 channels
 - UARTA: 3 channels
 - UARTC: 1 channel
 - USB function: 1 channel
- A/D converter: 10-bit resolution: 12 channels
- D/A converter: 8-bit resolution: 2 channels
- DMA controller: 4 channels
- DCU (debug control unit): JTAG interface
- Clock generator:
 - During main clock or subclock operation
 - 7-level CPU clock (f_{xx}, f_{xx}/2, f_{xx}/4, f_{xx}/8, f_{xx}/16, f_{xx}/32, f_{XT})
 - Clock-through mode/PLL mode selectable
- Internal oscillator clock: 220 kHz (TYP)
- Power-save functions:
 - HALT/IDLE1/IDLE2/STOP/low-voltage STOP/subclock/sub-IDLE/
 - low-voltage subclock/low-voltage sub-IDLE mode/RTC backup mode
- Package:
 - 100-pin plastic LQFP (fine pitch) (14 × 14)
 - 121-pin plastic FBGA (8 × 8)
- Power supply voltage:
 - V_{DD} = 2.0 V to 3.6 V (2.5 MHz)
 - V_{DD} = 2.2 V to 3.6 V (5 MHz)
 - V_{DD} = 2.7 V to 3.6 V (20 MHz)
 - V_{DD} = 3.0 V to 3.6 V (USB operating)

1.3 Application Fields

Equipment requiring a USB interfaces such as PC peripheral device, ECR peripheral device (bar code scanner, IC card reader/writer, printer, etc), industrial instrument, etc

1.4 Ordering Information

Part Number	Package	Internal Flash Memory
μ PD70F3794GC-UEU-AX	100-pin plastic LQFP (fine pitch) (14 × 14)	256 KB
μ PD70F3795GC-UEU-AX	100-pin plastic LQFP (fine pitch) (14 × 14)	384 KB
μ PD70F3796GC-UEU-AX	100-pin plastic LQFP (fine pitch) (14 × 14)	512 KB
μ PD70F3794F1-CAH-A	121-pin plastic FBGA (8 × 8)	256 KB
μ PD70F3795F1-CAH-A	121-pin plastic FBGA (8 × 8)	384 KB
μ PD70F3796F1-CAH-A	121-pin plastic FBGA (8 × 8)	512 KB

Remark The V850ES/JG3-L is a lead-free product.

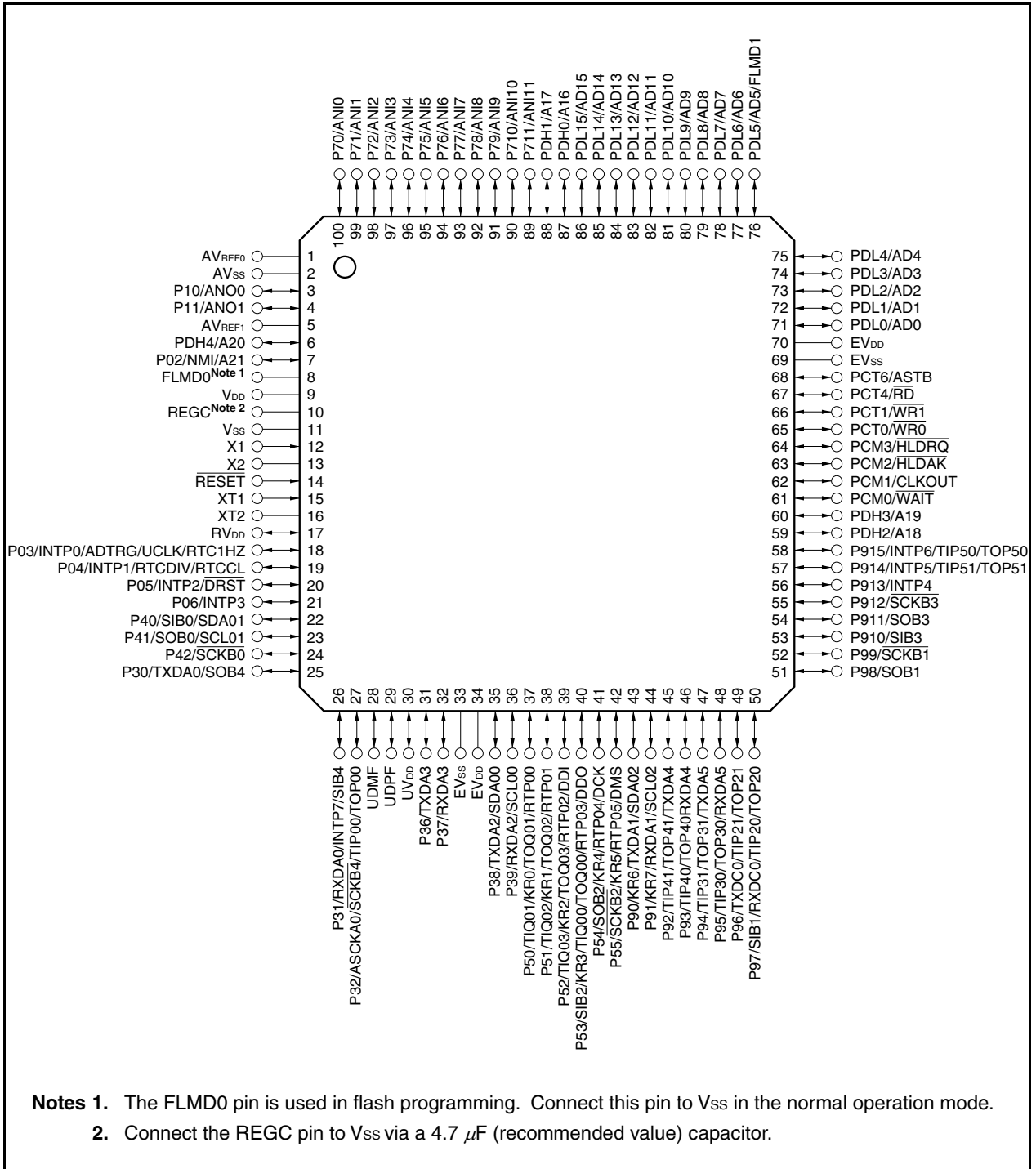
1.5 Pin Configuration (Top View)

100-pin plastic LQFP (fine pitch) (14 × 14)

μPD70F3794GC-UEU-AX

μPD70F3795GC-UEU-AX

μPD70F3796GC-UEU-AX

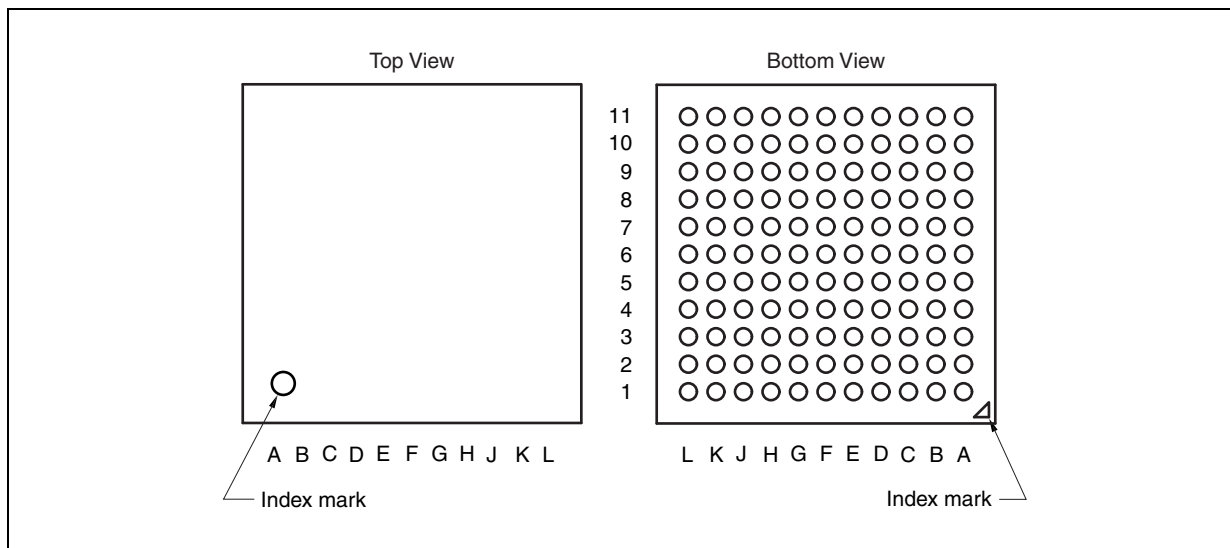


121-pin plastic FBGA (8 × 8)

μPF70F3794F1-CAH-A

μPF70F3795F1-CAH-A

μPF70F3796F1-CAH-A



(1/2)

Pin No.	Pin Name	Pin No.	Pin Name	Pin No.	Pin Name
A1	AV _{REF0}	C1	AV _{SS}	E1	REGC ^{Note 1}
A2	AV _{REF0}	C2	AV _{SS}	E2	REGC ^{Note 1}
A3	P70/ANI0	C3	P72/ANI2	E3	P10/ANO0
A4	P74/ANI4	C4	P76/ANI6	E4	P11/ANO1
A5	P78/ANI8	C5	P710/ANI10	E5	EV _{SS}
A6	EV _{SS}	C6	PDH0/A16	E6	EV _{SS}
A7	PDL11/AD11	C7	PDL13/AD13	E7	EV _{SS}
A8	PDL8/AD8	C8	PDL10/AD10	E8	PCT0/ $\overline{WR0}$
A9	PDL6/AD6	C9	PDL2/AD2	E9	PCM3/ \overline{HLDRQ}
A10	PDL5/AD5/FLMD1	C10	PDL1/AD1	E10	PCM2/ \overline{HLDAK}
A11	EV _{DD}	C11	PDL0/AD0	E11	EV _{SS}
B1	AV _{REF0}	D1	V _{DD}	F1	X1
B2	AV _{REF1}	D2	RV _{DD}	F2	X2
B3	P71/ANI1	D3	P73/ANI3	F3	FLMD0 ^{Note 2}
B4	P75/ANI5	D4	P77/ANI7	F4	PDH4/A20
B5	P79/ANI9	D5	P711/ANI11	F5	EV _{SS}
B6	PDL15/AD15	D6	PDH1/A17	F6	EV _{SS}
B7	PDL12/AD12	D7	PDL14/AD14	F7	EV _{SS}
B8	PDL9/AD9	D8	PCT6/ASTB	F8	PDH3/A19
B9	PDL7/AD7	D9	PCT4/ \overline{RD}	F9	PDH2/A18
B10	PDL4/AD4	D10	PCT1/ $\overline{WR1}$	F10	PCM1/CLKOUT
B11	PDL3/AD3	D11	EV _{DD}	F11	PCM0/ \overline{WAIT}

Notes 1. Connect the E1 and E2 pins by using the shortest possible pattern and connect them to V_{SS} via a 4.7 μF (recommended value) capacitor.

2. The FLMD0 pin is used in flash programming. Connect this pin to V_{SS} in the normal operation mode.

(2/2)

Pin No.	Pin Name	Pin No.	Pin Name	Pin No.	Pin Name
G1	V _{SS}	H9	P911/SOB3	K6	UV _{DD}
G2	V _{SS}	H10	P910/SIB3	K7	P51/TIQ02/KR1/TOQ02/RTP01
G3	P03/INTP0/ADTRG/UCLK/ RTC1HZ	H11	P99/SCKB1	K8	P54/SOB2/KR4/RTP04/DCK
G4	PDH5/NMI/A21	J1	V _{SS}	K9	P92/TIP41/TOP41/TXDA4
G5	EV _{SS}	J2	IC ^{Note}	K10	P95/TIP30/TOP30/RXDA5
G6	EV _{SS}	J3	P05/INTP2/ $\overline{\text{DRST}}$	K11	P96/TXDC0/TIP21/TOP21
G7	EV _{SS}	J4	P06/INTP3	L1	EV _{SS}
G8	P915/INTP6/TIP50/TOP50	J5	EV _{SS}	L2	P42/ $\overline{\text{SCKB0}}$
G9	P914/INTP5/TIP51/TOP51	J6	P37/RXDA3	L3	P30/TXDA0/SOB4
G10	P913/INTP4	J7	P52/TIQ03/KR2/TOQ03 /RTP02/DDI	L4	P32/ASCKA0/ $\overline{\text{SCKB4}}$ /TIP00 /TOP00
G11	P912/ $\overline{\text{SCKB3}}$	J8	P55/ $\overline{\text{SCKB2}}$ /KR5/RTP05/DMS	L5	EV _{SS}
H1	XT1	J9	P93/TIP40/TOP40/RXDA4	L6	EV _{DD}
H2	XT2	J10	P98/SOB1	L7	P50/TIQ01/KR0/TOQ01/RTP00
H3	$\overline{\text{RESET}}$	J11	P97/SIB1/RXDC0/TIP20/ TOP20	L8	P53/SIB2/KR3/TIQ00/TOQ00 /RTP03/DDO
H4	P04/INTP1/RTCDIV/RTCCL	K1	P40/SIB0/SDA01	L9	P91/KR7/RXDA1/SCL02
H5	P36/TXDA3	K2	P41/SOB0/SCL01	L10	P94/TIP31/TOP31/TXDA5
H6	P38/TXDA2/SDA00	K3	P31/RXDA0/INTP7/SIB4	L11	EV _{DD}
H7	P39/RXDA2/SCL00	K4	UDMF	-	-
H8	P90/KR6/TXDA1/SDA02	K5	UDPF	-	-

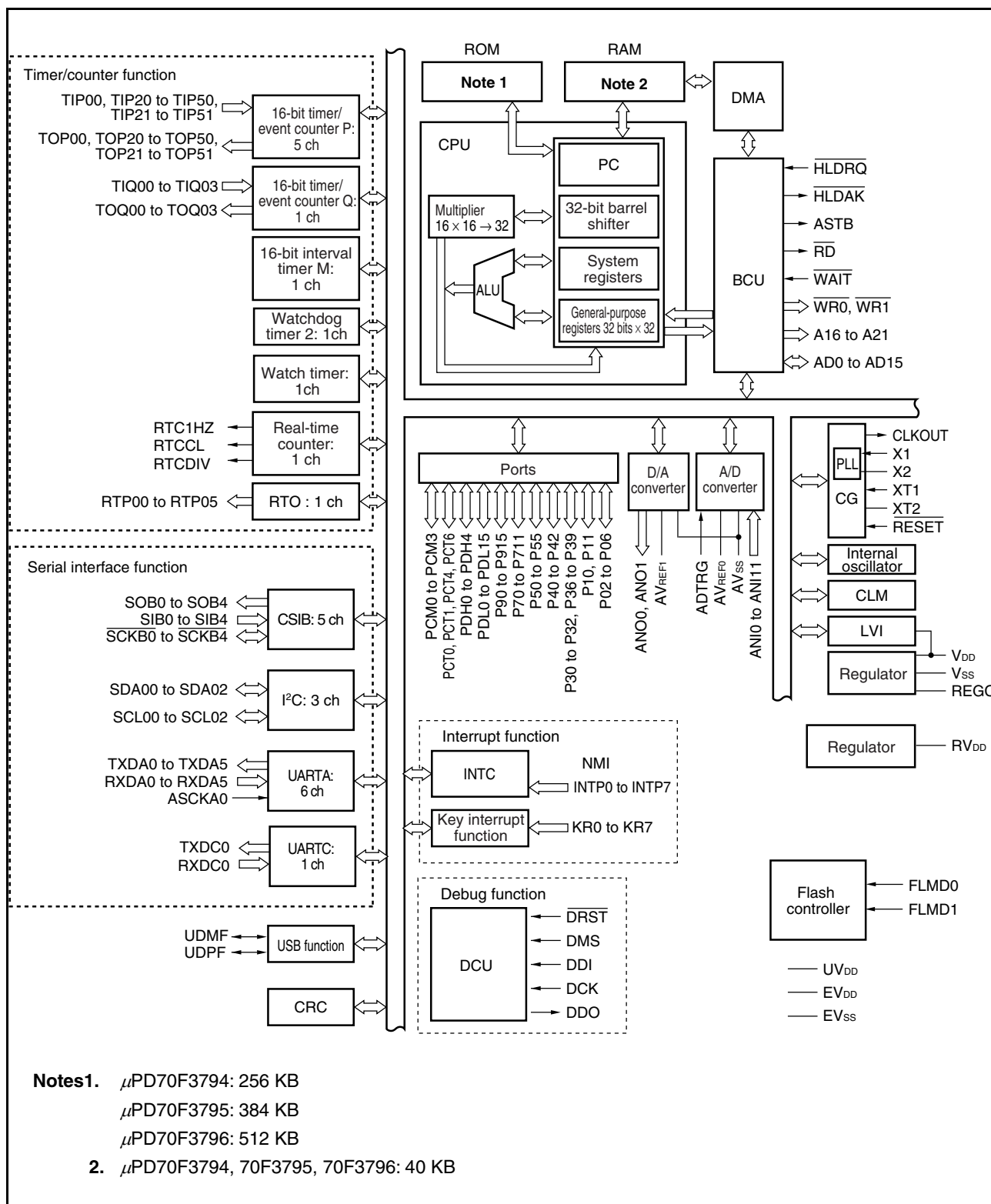
Note Be sure to open.

Pin functions

A16 to A21:	Address bus	RTC1HZ,	Real-time Counter Clock Output
AD0 to AD15:	Address/data bus	RTCCL, RTCDIV	
ADTRG:	A/D trigger input	RTP00 to RTP05:	Real-time output port
ANI0 to ANI11:	Analog input	RV _{DD}	Power Supply for RTC
ANO0, ANO1:	Analog output	RXDA0 to RXDA5:	Receive data
ASCKA0:	Asynchronous serial clock	RXDC0:	
ASTB:	Address strobe	$\overline{\text{SCKB0}}$ to $\overline{\text{SCKB4}}$:	Serial clock
AV _{REF0} , AV _{REF1} :	Analog reference voltage	SCL00 to SCL02:	Serial clock
AV _{SS} :	Analog V _{ss}	SDA00 to SDA02:	Serial data
CLKOUT:	Clock output	SIB0 to SIB4:	Serial input
DCK:	Debug clock	SOB0 to SOB4:	Serial output
DDI:	Debug data input	TIP00,	Timer input
DDO:	Debug data output	TIP20, TIP21,	
DMS:	Debug mode select	TIP30, TIP31,	
$\overline{\text{DRST}}$:	Debug reset	TIP40, TIP41,	
EV _{DD} :	Power supply for external pin	TIP50, TIP51,	
EV _{SS} :	Ground for external pin	TIQ00 to TIQ03:	
FLMD0, FLMD1:	Flash programming mode	TOP00,	Timer output
$\overline{\text{HLDAK}}$:	Hold acknowledge	TOP20, TOP21,	
$\overline{\text{HLDRQ}}$:	Hold request	TOP30, TOP31,	
IC:	Internal Connected	TOP40, TOP41,	
INTP0 to INTP7:	External interrupt input	TOP50, TOP51,	
KR0 to KR7:	Key return	TOQ00 to TOQ03:	
NMI:	Non-maskable interrupt request	TXDA0 to TXDA5:	Transmit data
P02 to P06:	Port 0	TXDC0:	
P10, P11:	Port 1	UCLK:	USB clock
P30 to P32:	Port 3	UDMF:	USB data I/O (-) function
P36 to P39		UDPF:	USB data I/O (+) function
P40 to P42:	Port 4	UV _{DD} :	Power supply for external USB
P50 to P55:	Port 5	V _{DD} :	Power supply
P70 to P711:	Port 7	V _{SS} :	Ground
P90 to P915:	Port 9	$\overline{\text{WAIT}}$:	Wait
PCM0 to PCM3:	Port CM	$\overline{\text{WR0}}$:	Lower byte write strobe
PCT0, PCT1,		$\overline{\text{WR1}}$:	Upper byte write strobe
PCT4, PCT6:	Port CT	X1, X2:	Crystal for main clock
PDH0 to PDH4	Port DH	XT1, XT2:	Crystal for subclock
PDL0 to PDL15:	Port DL		
$\overline{\text{RD}}$:	Read strobe		
REGC:	Regulator control		
RESET:	Reset		

1.6 Function Block Configuration

1.6.1 Internal block diagram



1.6.2 Internal units

(1) CPU

The CPU uses five-stage pipeline control to enable single-clock execution of address calculations, arithmetic logic operations, data transfers, and almost all other instruction processing.

Other dedicated on-chip hardware, such as a multiplier (16 bits × 16 bits → 32 bits) and a barrel shifter (32 bits) contribute to faster complex processing.

(2) Bus control unit (BCU)

The BCU starts a required external bus cycle based on the physical address obtained by the CPU. When an instruction is fetched from external memory space and the CPU does not send a bus cycle start request, the BCU generates a prefetch address and prefetches the instruction code. The prefetched instruction code is stored in an instruction queue.

(3) Flash memory (ROM)

This is a 512 K/384 K/256 KB flash memory mapped to addresses 0000000H to 007FFFFH/0000000H to 005FFFFH/0000000H to 003FFFFH.

It can be accessed from the CPU in one clock during instruction fetch.

(4) RAM

This is a 40 KB RAM mapped to addresses 3FF5000H to 3FF5FFFH. It can be accessed from the CPU in one clock during data access.

(5) Interrupt controller (INTC)

This controller handles hardware interrupt requests (NMI, INTP0 to INTP7) from on-chip peripheral hardware and external hardware. Eight levels of interrupt priorities can be specified for these interrupt requests, and multiplexed interrupt servicing control can be performed.

(6) Clock generator (CG)

A main clock oscillator and subclock oscillator are provided and generate the main clock oscillation frequency (f_x) and subclock frequency (f_{XT}), respectively. There are two modes: In the clock-through mode, f_x is used as the main clock frequency (f_{XX}) as is. In the PLL mode, f_x is used multiplied by 4.

The CPU clock frequency (f_{CPU}) can be selected from among f_{XX} , $f_{XX}/2$, $f_{XX}/4$, $f_{XX}/8$, $f_{XX}/16$, $f_{XX}/32$, and f_{XT} .

(7) Internal oscillator

An internal oscillator is provided on chip. The oscillation frequency is 220 kHz (TYP). The internal oscillator supplies the clock for watchdog timer 2 and timer M.

(8) Timer/counter

Six-channel 16-bit timer/event counter P (TMP), one-channel 16-bit timer/event counter Q (TMQ), and one-channel 16-bit interval timer M (TMM), are provided on chip.

(9) Watch timer

This timer counts the reference time period (0.5 s) for counting the clock (the 32.768 kHz subclock or the 32.768 kHz f_{BRG} clock from the prescaler). The watch timer can also be used as an interval timer based on the main clock.

(10) Real-time counter (for watch)

The real-time counter counts the reference time (one second) for watch counting based on the subclock (32.768 kHz) or main clock. This can simultaneously be used as the interval timer based on the main clock. Hardware counters dedicated to year, month, day of week, day, hour, minute, and second are provided, and can count up to 99 years.

(11) Watchdog timer 2

A watchdog timer is provided on chip to detect inadvertent program loops, system abnormalities, etc.

The internal oscillator clock, the main clock, or the subclock can be selected as the source clock.

Watchdog timer 2 generates a non-maskable interrupt request signal (INTWDT2) or a system reset signal (WDT2RES) after an overflow occurs.

(12) Serial interface

The V850ES/JG3-L includes three kinds of serial interfaces: asynchronous serial interface A (UARTA), 3-wire variable-length serial interface B (CSIB), and an I²C bus interface (I²C), USB function controller (USBF).

In the case of UARTA, data is transferred via the TXDA0 to TXDA2 pins and RXDA0 to RXDA2 pins.

In the case of CSIB, data is transferred via the SOB0 to SOB4 pins, SIB0 to SIB4 pins, and $\overline{\text{SCKB0}}$ to $\overline{\text{SCKB4}}$ pins.

In the case of I²C, data is transferred via the SDA00 to SDA02 and SCL00 to SCL02 pins.

In the case of USBF, data is transferred via the UDMF and UDPF pins.

(13) A/D converter

This 10-bit A/D converter includes 12 analog input pins. Conversion is performed using the successive approximation method.

(14) D/A converter

A two-channel, 8-bit-resolution D/A converter that uses the R-2R ladder method is provided on chip.

(15) DMA controller

A 4-channel DMA controller is provided on chip. This controller transfers data between the internal RAM and on-chip peripheral I/O devices in response to interrupt requests sent by on-chip peripheral I/O.

(16) Key interrupts function

A key interrupt request signal (INTKR) can be generated by inputting a falling edge to the key input pins (8 channels).

(17) Real-time output function

The real-time output function transfers preset 6-bit data to output latches upon the occurrence of a timer compare register match signal.

(18) CRC function

A CRC operation circuit that generates a 16-bit CRC (Cyclic Redundancy Check) code upon the setting of 8-bit data is provided on-chip.

(19) DCU (debug control unit)

An on-chip debug function that uses the JTAG (Joint Test Action Group) communication specifications is provided. Switching between the normal port function and on-chip debugging function is done with the control pin input level and the OCDM register.

(20) Ports

The following general-purpose port functions and control pin functions are available.

Table 1-2. Port Functions

Port	I/O	Alternate Function
P0	5-bit I/O	NMI, external interrupt, A/D converter trigger, debug reset, real-time counter output
P1	2-bit I/O	D/A converter analog output
P3	7-bit I/O	External interrupt, serial interface, timer I/O
P4	3-bit I/O	Serial interface
P5	6-bit I/O	Timer I/O, real-time output, key interrupt input, serial interface, debug I/O
P7	12-bit I/O	A/D converter analog input
P9	16-bit I/O	Serial interface, key interrupt input, timer I/O, external interrupt
PCM	4-bit I/O	External control signal
PCT	4-bit I/O	External control signal
PDH	5-bit I/O	External address bus
PDL	16-bit I/O	External address/data bus

CHAPTER 2 PIN FUNCTIONS

2.1 List of Pin Functions

The functions of the pins in the V850ES/JG3-L are described below.

There are four types of pin I/O buffer power supplies: AV_{REF0} , AV_{REF1} , EV_{DD} , and UV_{DD} . The relationship between these power supplies and the pins is described below.

Table 2-1. Pin I/O Buffer Power Supplies

Power Supply	Corresponding Pins
AV_{REF0}	Port 7
AV_{REF1}	Port 1
EV_{DD}	\overline{RESET} , ports 0, 3 to 5, 9, CM, CT, DH, DL, FLMD0
UV_{DD}	UDMF, UDPF

(1) Port functions

(1/3)

Function	Pin No.		I/O	Description	Alternate Function
	GC	F1			
P02	7	G4	I/O	Port 0 (refer to 4.3.1) 5-bit I/O port Input/output can be specified in 1-bit units. N-ch open-drain output can be specified in 1-bit units. 5 V tolerant.	NMI/A21
P03	18	G3			INTP0/ADTRG/UCLK/RTC1HZ
P04	19	H4			INTP1/RTCDIV/RTCCL
P05 ^{Note}	20	J3			INTP2/DRST
P06	21	J4			INTP3
P10	3	E3	I/O	Port 1 (refer to 4.3.2) 2-bit I/O port Input/output can be specified in 1-bit units.	ANO0
P11	4	E4			ANO1
P30	25	L3	I/O	Port 3 (refer to 4.3.3) 7-bit I/O port Input/output can be specified in 1-bit units. N-ch open-drain output can be specified in 1-bit units. 5 V tolerant.	TXDA0/SOB4
P31	26	K3			RXDA0/INTP7/SIB4
P32	27	L4			ASCKA0/SCKB4/TIP00/TOP00
P36	31	H5			TXDA3
P37	32	J6			RXDA3
P38	35	H6			TXDA2/SDA00
P39	36	H7			RXDA2/SCL00
P40	22	K1	I/O	Port 4 (refer to 4.3.4) 3-bit I/O port Input/output can be specified in 1-bit units. N-ch open-drain output can be specified in 1-bit units. 5 V tolerant.	SIB0/SDA01
P41	23	K2			SOB0/SCL01
P42	24	L2			SCKB0
P50	37	L7	I/O	Port 5 (refer to 4.3.5) 6-bit I/O port Input/output can be specified in 1-bit units. N-ch open-drain output can be specified in 1-bit units. 5 V tolerant.	TIQ01/KR0/TOQ01/RTP00
P51	38	K7			TIQ02/KR1/TOQ02/RTP01
P52	39	J7			TIQ03/KR2/TOQ03/RTP02/DDI
P53	40	L8			SIB2/KR3/TIQ00/TOQ00/RTP03/DDO
P54	41	K8			SOB2/KR4/RTP04/DCK
P55	42	J8			SCKB2/KR5/RTP05/DMS

Note Incorporates a pull-down resistor. It can be disconnected by clearing the OCDM.OCDM0 bit to 0.

Remark GC: 100-pin plastic LQFP (fine pitch) (14 × 14)

F1: 121-pin plastic FBGA (8 × 8)

(2/3)

Function	Pin No.		I/O	Description	Alternate Function
	GC	F1			
P70	100	A3	I/O	Port 7 (refer to 4.3.6) 12-bit I/O port Input/output can be specified in 1-bit units.	ANI0
P71	99	B3			ANI1
P72	98	C3			ANI2
P73	97	D3			ANI3
P74	96	A4			ANI4
P75	95	B4			ANI5
P76	94	C4			ANI6
P77	93	D4			ANI7
P78	92	A5			ANI8
P79	91	B5			ANI9
P710	90	C5			ANI10
P711	89	D5			ANI11
P90	43	H8	I/O	Port 9 (refer to 4.3.7) 16-bit I/O port Input/output can be specified in 1-bit units. N-ch open-drain output can be specified in 1-bit units. 5 V tolerant.(P90 to P96)	KR6/TXDA1/SDA02
P91	44	L9			KR7/RXDA1/SCL02
P92	45	K9			TIP41/TOP41/TXDA4
P93	46	J9			TIP40/TOP40/RXDA4
P94	47	L10			TIP31/TOP31/TXDA5
P95	48	K10			TIP30/TOP30/RXDA5
P96	49	K11			TXDC0/TIP21/TOP21
P97	50	J11			SIB1/RXDC0/TIP20/TOP20
P98	51	J10			SOB1
P99	52	H11			SCKB1
P910	53	H10			SIB3
P911	54	H9			SOB3
P912	55	G11			SCKB3
P913	56	G10			INTP4
P914	57	G9			INTP5/TIP51/TOP51
P915	58	G8			INTP6/TIP50/TOP50

Remark GC: 100-pin plastic LQFP (fine pitch) (14 × 14)
F1: 121-pin plastic FBGA (8 × 8)

(3/3)

Function	Pin No.		I/O	Description	Alternate Function
	GC	F1			
PCM0	61	F11	I/O	Port CM (refer to 4.3.8) 4-bit I/O port Input/output can be specified in 1-bit units.	WAIT
PCM1	62	F10			CLKOUT
PCM2	63	E10			HLD $\overline{\text{AK}}$
PCM3	64	E9			H $\overline{\text{LDRQ}}$
PCT0	65	E8	I/O	Port CT (refer to 4.3.9) 4-bit I/O port Input/output can be specified in 1-bit units.	$\overline{\text{WR0}}$
PCT1	66	D10			$\overline{\text{WR1}}$
PCT4	67	D9			$\overline{\text{RD}}$
PCT6	68	D8			ASTB
PDH0	87	C6	I/O	Port DH (refer to 4.3.10) 5-bit I/O port Input/output can be specified in 1-bit units.	A16
PDH1	88	D6			A17
PDH2	59	F9			A18
PDH3	60	F8			A19
PDH4	6	F4			A20
PDL0	71	C11	I/O	Port DL (refer to 4.3.11) 16-bit I/O port Input/output can be specified in 1-bit units.	AD0
PDL1	72	C10			AD1
PDL2	73	C9			AD2
PDL3	74	B11			AD3
PDL4	75	B10			AD4
PDL5	76	A10			AD5/FLMD1
PDL6	77	A9			AD6
PDL7	78	B9			AD7
PDL8	79	A8			AD8
PDL9	80	B8			AD9
PDL10	81	C8			AD10
PDL11	82	A7			AD11
PDL12	83	B7			AD12
PDL13	84	C7			AD13
PDL14	85	D7			AD14
PDL15	86	B6			AD15

Remark GC: 100-pin plastic LQFP (fine pitch) (14 × 14)
F1: 121-pin plastic FBGA (8 × 8)

(2) Non-port functions

(1/6)

Function	Pin No.		I/O	Description	Alternate Function
	GC	F1			
A16	87	C6	Output	Address bus for external memory	PDH0
A17	88	D6			PDH1
A18	59	F9			PDH2
A19	60	F8			PDH3
A20	6	F4			PDH4
A21	7	G4			P02/NMI
AD0	71	C11	I/O	Address bus/data bus for external memory	PDL0
AD1	72	C10			PDL1
AD2	73	C9			PDL2
AD3	74	B11			PDL3
AD4	75	B10			PDL4
AD5	76	A10			PDL5/FLMD1
AD6	77	A9			PDL6
AD7	78	B9			PDL7
AD8	79	A8			PDL8
AD9	80	B8			PDL9
AD10	81	C8			PDL10
AD11	82	A7			PDL11
AD12	83	B7			PDL12
AD13	84	C7			PDL13
AD14	85	D7			PDL14
AD15	86	B6	PDL15		

Remark GC: 100-pin plastic LQFP (fine pitch) (14 × 14)
F1: 121-pin plastic FBGA (8 × 8)

(2/6)

Function	Pin No.		I/O	Description	Alternate Function
	GC	F1			
ADTRG	18	G3	Input	A/D converter external trigger input. 5 V tolerant.	P03/INTP0/UCLK/RTC1HZ
ANI0	100	A3	Input	Analog voltage input for A/D converter	P70
ANI1	99	B3			P71
ANI2	98	C3			P72
ANI3	97	D3			P73
ANI4	96	A4			P74
ANI5	95	B4			P75
ANI6	94	C4			P76
ANI7	93	D4			P77
ANI8	92	A5			P78
ANI9	91	B5			P79
ANI10	90	C5			P710
ANI11	89	D5			P711
ANO0	3	E3	Output	Analog voltage output for D/A converter	P10
ANO1	4	E4			P11
ASCKA0	27	L4	Input	UARTA0 baud rate clock input. 5 V tolerant.	P32/SCKB4/TIP00/TOP00
ASTB	68	D8	Output	Address strobe signal output for external memory	PCT6
AV _{REF0}	1	A1, A2, B1	-	Reference voltage input for A/D converter/positive power supply for port 7	-
AV _{REF1}	5	B2		Reference voltage input for D/A converter/positive power supply for port 1	-
AV _{SS}	2	C1, C2	-	Ground potential for A/D and D/A converters (same potential as V _{SS})	-
CLKOUT	62	F10	Output	Internal system clock output	PCM1
DCK	41	K8	Input	Debug clock input. 5 V tolerant.	P54/SOB2/KR4/RTP04
DDI	39	J7	Input	Debug data input. 5 V tolerant.	P52/TIQ03/KR2/TOQ03/RTP02
DDO ^{Note 1}	40	L8	Output	Debug data output. N-ch open-drain output selectable. 5 V tolerant.	P53/SIB2/KR3/TIQ00/TOQ00/ RTP03
DMS	42	J8	Input	Debug mode select input. 5 V tolerant.	P55/SCKB2/KR5/RTP05
DRST	20	J3	Input	Debug reset input. 5 V tolerant.	P05/INTP2
EV _{DD}	34, 70	Note 2	-	Positive power supply for external (same potential as V _{DD})	-
EV _{SS}	33, 69	Note 3	-	Ground potential for external (same potential as V _{SS})	-
FLMD0	8	F3	Input	Flash memory programming mode setting pin	-
FLMD1	76	A10			PDL5/AD5
HLDAK	63	E10	Output	Bus hold acknowledge output	PCM2
HLDRQ	64	E9	Input	Bus hold request input	PCM3

Notes 1. In the on-chip debug mode, high-level output is forcibly set.

2. A11, D11, K6, L6, L11

3. A6, E5 to E7, E11, F5 to F7, G5 to G7, L1, L5

Remark GC: 100-pin plastic LQFP (fine pitch) (14 × 14)

F1: 121-pin plastic FBGA (8 × 8)

(3/6)

Function	Pin No.		I/O	Description	Alternate Function
	GC	F1			
IC	–	J2	–	Internal connected	–
INTP0	18	G3	Input	External interrupt request input (maskable, analog noise elimination). Analog noise elimination or digital noise elimination selectable for INTP3 pin. 5 V tolerant.	P03/ADTRG/UCLK/RTC1HZ
INTP1	19	H4			P04/RTCDIV/RTCCL
INTP2	20	J3			P05/ $\overline{\text{DRST}}$
INTP3	21	J4			P06
INTP4	56	G10			P913
INTP5	57	G9			P914/TIP51/TOP51
INTP6	58	G8			P915/TIP50/TOP50
INTP7	26	K3			P31/RXDA0/SIB4
KR0 ^{Note 1}	37	L7	Input	Key interrupt input (on-chip analog noise eliminator). 5 V tolerant.	P50/TIQ01/TOQ01/RTP00
KR1 ^{Note 1}	38	K7			P51/TIQ02/TOQ02/RTP01
KR2 ^{Note 1}	39	J7			P52/TIQ03/TOQ03/RTP02/DDI
KR3 ^{Note 1}	40	L8			P53/SIB2/TIQ00/TOQ00/RTP03/DDO
KR4 ^{Note 1}	41	K8			P54/SOB2/RTP04/DCK
KR5 ^{Note 1}	42	J8			P55/ $\overline{\text{SCKB2}}$ /RTP05/DMS
KR6 ^{Note 1}	43	H8			P90/TXDA1/SDA02
KR7 ^{Note 1}	44	L9			P91/RXDA1/SCL02
NMI ^{Note 2}	17	G4	Input	External interrupt input (non-maskable, analog noise elimination). 5 V tolerant.	P02/A21
$\overline{\text{RD}}$	67	D9	Output	Read strobe signal output for external memory	PCT4
REGC	10	E1,E2	–	Connection of regulator output stabilization capacitance (4.7 μF (recommended value))	–
$\overline{\text{RESET}}$	14	H3	Input	System reset input	–
RTC1HZ	18	G3	Output	Real-time counter correction clock (1 Hz) output	P03/INTP0/ADTRG/UCLK
RTCCL	19	H4	Output	Real-time counter clock (32 kHz primary oscillation) output	P04/INTP1/RTCDIV
RTCDIV	19	H4	Output	Real-time counter clock (32 kHz division) output	P04/INTP1/RTCCL
RTP00	37	L7	Output	Real-time output port. N-ch open-drain output selectable. 5 V tolerant.	P50/TIQ01/KR0/TOQ01
RTP01	38	K7			P51/TIQ02/KR1/TOQ02
RTP02	39	J7			P52/TIQ03/KR2/TOQ03/DDI
RTP03	40	L8			P53/SIB2/KR3/TIQ00/TOQ00/DDO
RTP04	41	K8			P54/SOB2/KR4/DCK
RTP05	42	J8			P55/ $\overline{\text{SCKB2}}$ /KR5/DMS

Notes1. Connect a pull-up resistor externally.

- The NMI pin alternately functions as the P02 pin. It functions as the P02 pin after reset. To enable the NMI function, set the PMC0.PMC02 bit to 1. The initial setting of the NMI pin is "No edge detected". Select the NMI pin valid edge using the INTF0 and INTR0 registers.

Remark GC: 100-pin plastic LQFP (fine pitch) (14 × 14)

F1: 121-pin plastic FBGA (8 × 8)

(4/6)

Function	Pin No.		I/O	Description	Alternate Function
	GC	F1			
RXDA0	26	K3	Input	Serial receive data input (UARTA0 to UARTA2) 5 V tolerant.	P31/INTP7/SIB4
RXDA1	44	L9			P91/KR7/SCL02
RXDA2	36	H7			P39/SCL00
RXDA3	32	J6			P37
RXDA4	46	J9			P93/TIP40/TOP40
RXDA5	48	K10			P95/TIP30/TOP30
RXDC0	50	J11			Serial receive data input (UARTC0)
RV _{DD}	17	D2	–	Positive power supply for RTC	–
SCKB0	24	L2	I/O	Serial clock I/O (CSIB0 to CSIB4) N-ch open-drain output selectable. 5 V tolerant.	P42
SCKB1	52	H11			P99
SCKB2	42	J8			P55/KR5/RTP05/DMS
SCKB3	55	G11			P912
SCKB4	27	L4			P32/ASCKA0/TIP00/TOP00
SCL00	36	H7	I/O	Serial clock I/O (I ² C00 to I ² C02) N-ch open-drain output selectable. 5 V tolerant.	P39/RXDA2
SCL01	23	K2			P41/SOB0
SCL02	44	L9			P91/KR7/RXDA1
SDA00	35	H6	I/O	Serial transmit/receive data I/O (I ² C00 to I ² C02) N-ch open-drain output selectable. 5 V tolerant.	P38/TXDA2
SDA01	22	K1			P40/SIB0
SDA02	43	H8			P90/KR6/TXDA1
SIB0	22	K1	Input	Serial receive data input (CSIB0 to CSIB4) 5 V tolerant.	P40/SDA01
SIB1	50	J11			P97/RXDC0/TIP20/TOP20
SIB2	40	L8			P53/KR3/TIQ00/TOQ00/RTP03/DDO
SIB3	53	H10			P910
SIB4	26	K3			P31/RXDA0/INTP7
SOB0	23	K2	Output	Serial transmit data output (CSIB0 to CSIB4) N-ch open-drain output selectable. 5 V tolerant.	P41/SCL01
SOB1	51	J10			P98
SOB2	41	K8			P54/KR4/RTP04/DCK
SOB3	54	H9			P911
SOB4	25	L3			P30/TXDA0

Remark GC: 100-pin plastic LQFP (fine pitch) (14 × 14)
F1: 121-pin plastic FBGA (8 × 8)

(5/6)

Function	Pin No.		I/O	Description	Alternate Function
	GC	F1			
TIP00	27	L4	Input	External event count input/capture trigger input/external trigger input (TMP0). 5 V tolerant.	P32/ASCKA0/SCKB4/TOP00
TIP20	50	J11		External event count input/capture trigger input/external trigger input (TMP2). 5 V tolerant.	P97/SIB1/TOP20
TIP21	49	K11		Capture trigger input (TMP2). 5 V tolerant.	P96/TOP21
TIP30	48	K10		External event count input/capture trigger input/external trigger input (TMP3). 5 V tolerant.	P95/TOP30
TIP31	47	L10		Capture trigger input (TMP3). 5 V tolerant.	P94/TOP31
TIP40	46	J9		External event count input/capture trigger input/external trigger input (TMP4). 5 V tolerant.	P93/TOP40
TIP41	45	K9		Capture trigger input (TMP4). 5 V tolerant.	P92/TOP41
TIP50	58	G8		External event count input/capture trigger input/external trigger input (TMP5). 5 V tolerant.	P915/INTP6/TOP50
TIP51	57	G9		Capture trigger input (TMP5). 5 V tolerant.	P914/INTP5/TOP51
TIQ00	40	L8	Input	External event count input/capture trigger input/external trigger input (TMQ0). 5 V tolerant.	P53/SIB2/KR3/TOQ00/RTP03 /DDO
TIQ01	37	L7		Capture trigger input (TMQ0). 5 V tolerant.	P50/KR0/TOQ01/RTP00
TIQ02	38	K7			P51/KR1/TOQ02/RTP01
TIQ03	39	J7			P52/KR2/TOQ03/RTP02/DDI
TOP00	27	L4	Output	Timer output (TMP0) N-ch open-drain output selectable. 5 V tolerant.	P32/ASCKA0/SCKB4/TIP00
TOP20	50	J11		Timer output (TMP2) N-ch open-drain output selectable. 5 V tolerant.	P97/SIB1/TIP20
TOP21	49	K11			P96/TIP21
TOP30	48	K10		Timer output (TMP3) N-ch open-drain output selectable. 5 V tolerant.	P95/TIP30
TOP31	47	L10			P94/TIP31
TOP40	46	J9		Timer output (TMP4) N-ch open-drain output selectable. 5 V tolerant.	P93/TIP40
TOP41	45	K9			P92/TIP41
TOP50	58	G8		Timer output (TMP5) N-ch open-drain output selectable. 5 V tolerant.	P915/INTP6/TIP50
TOP51	57	G9		P914/INTP5/TIP51	

Remark GC: 100-pin plastic LQFP (fine pitch) (14 × 14)

F1: 121-pin plastic FBGA (8 × 8)

(6/6)

Function	Pin No.		I/O	Description	Alternate Function
	GC	F1			
TOQ00	40	L8	Output	Timer output (TMQ0) N-ch open-drain output selectable. 5 V tolerant.	P53/SIB2/KR3/TIQ00/RTP03/DDO
TOQ01	37	L7			P50/TIQ01/KR0/RTP00
TOQ02	38	K7			P51/TIQ02/KR1/RTP01
TOQ03	39	J7			P52/TIQ03/KR2/RTP02/DDI
TXDA0	25	L3	Output	Serial transmit data output (UARTA0 to UARTA5) N-ch open-drain output selectable. 5 V tolerant.	P30/SOB4
TXDA1	43	H8			P90/KR6/SDA02
TXDA2	35	H6			P38/SDA00
TXDA3	31	H5			P36
TXDA4	45	K9			P92/TIP41/TOP41
TXDA5	47	L10			P94/TIP31/TOP31
TXDC0	49	K11		Serial transmit data output (UARTAC) N-ch open-drain output selectable. 5 V tolerant.	P96/TIP21/TOP21
UCLK	18	G3	Input	USB clock signal input	P03/INTP0/ADTRG/UCLK/RTC1HZ
UDMF	28	K4	I/O	USB data I/O (-) function	-
UDPF	29	K5	I/O	USB data I/O (+) function	-
UVDD	30	K6	-	Power supply for USB	-
VDD	9	D1	-	Positive power supply pin for internal circuits	-
VSS	11	G1, G2, J1	-	Ground potential for internal circuits	-
WAIT	61	F11	Input	External wait input	PCM0
WR0	65	E8	Output	Write strobe for external memory (lower 8 bits)	PCT0
WR1	66	D10		Write strobe for external memory (higher 8 bits)	PCT1
X1	12	F1	Input	Connection of resonator for main clock	-
X2	13	F2	-		-
XT1	15	H1	Input	Connection of resonator for subclock	-
XT2	16	H2	-		-

Remark GC: 100-pin plastic LQFP (fine pitch) (14 × 14)

F1: 121-pin plastic FBGA (8 × 8)

2.2 Pin States

The operation states of pins in the various modes are described below.

Table 2-2. Pin Operation States in Various Modes

Pin Name	When Power Is Turned On ^{Note 1}	During Reset (Except When Power Is Turned On)	HALT Mode ^{Note 2}	IDLE1, IDLE2, Sub-IDLE Mode ^{Note 2}	STOP Mode ^{Note 2}	Idle State ^{Note 3}	Bus Hold	RTC Back up mode	
P05/DRST	Pulled down	Pulled down ^{Note 4}	Held	Held	Held	Held	Held	Undefined ^{Note 9}	
P10/ANO0, P11/ANO1	Undefined	Hi-Z	Held	Held	Hi-Z	Held	Held		
P53/DDO		Hi-Z ^{Note 5}	Held	Held	Held	Held	Held		
AD0 to AD15	Hi-Z ^{Note 6}	Hi-Z ^{Note 6}	Notes 7, 8	Hi-Z	Hi-Z	Held	Hi-Z		
A16 to A21			Undefined ^{Note 7}						
WAIT			–	–	–	–	–		–
CLKOUT			Operating	L	L	Operating	Operating		
WR0, WR1			H ^{Note 7}	H	H	H	Hi-Z		
RD									
ASTB									
HLDK			Operating				L		
HLDRQ			–	–	–	–	Operating		
Other port pins			Hi-Z	Hi-Z	Held	Held	Held		Held

- Notes 1.** Duration until 1 ms elapses after the supply voltage reaches the operating supply voltage range (lower limit) when the power is turned on.
- 2.** Operates while an alternate function is operating.
- 3.** The state of the pins in the idle state inserted after the T3 state is shown (only after a read operation).
- 4.** Pulled down during external reset. During internal reset by the watchdog timer, clock monitor, etc., the state of this pin differs according to the OCDM.OCDM0 bit setting.
- 5.** DDO output is specified in the on-chip debug mode.
- 6.** The bus control pins function alternately as port pins, so they are initialized to the input mode (port mode).
- 7.** Operates even in the HALT mode, during DMA operation.
- 8.** In separate bus mode: Hi-Z
In multiplexed bus mode: Undefined
- 9.** Because the V_{DD} and EV_{DD} voltages are less than the minimum operating voltage, the pin status is undefined.

Remark Hi-Z: High impedance
Held: The state during the immediately preceding external bus cycle is held.
L: Low-level output
H: High-level output
–: Input without sampling (not acknowledged)

2.3 Pin I/O Circuit Types, I/O Buffer Power Supplies, and Connection of Unused Pins

(1/3)

Pin	Alternate Function	Pin No.		I/O Circuit Type	Recommended Connection of Unused Pin	
		GC	F1			
P02	NMI/A21	7	G4	10-D	Input: Independently connect to EV_{DD} or EV_{SS} via a resistor. Output: Leave open.	
P03	INTP0/ADTRG/UCLK/RTC1HZ	18	G3			
P04	INTP1/RTCDIV/RTCCL	19	H4			
P05	INTP2/ \overline{DRST}	20	J3	10-N	Input: Independently connect to EV_{SS} via a resistor. Fixing to V_{DD} level is prohibited. Output: Leave open. Internally pull-down after reset by \overline{RESET} pin.	
P06	INTP3	21	J4	10-D	Input: Independently connect to EV_{DD} or EV_{SS} via a resistor. Output: Leave open.	
P10	ANO0	3	E3	12-D	Input: Independently connect to AV_{REF1} or AV_{SS} via a resistor. Output: Leave open.	
P11	ANO1	4	E4			
P30	TXDA0/SOB4	25	L3	10-G	Input: Independently connect to EV_{DD} or EV_{SS} via a resistor. Output: Leave open.	
P31	RXDA0/INTP7/SIB4	26	K3	10-D		
P32	ASCKA0/ $\overline{SCKB4}$ /TIP00	27	L4			
P36	TXDA3	31	H5			
P37	RXDA3	32	J6			
P38	TXDA2/SDA00	35	H6			
P39	RXDA2/SCL00	36	H7			
P40	SIB0/SDA01	22	K1			
P41	SOB0/SCL01	23	K2			
P42	$\overline{SCKB0}$	24	L2			
P50	TIQ01/KR0/TOQ01/RTP00	37	L7			10-D
P51	TIQ02/KR1/TOQ02/RTP01	38	K7			
P52	TIQ03/KR2/TOQ03/RTP02/DDI	39	J7			
P53	SIB2/KR3/TIQ00/TOQ00 /RTP03/DDO	40	L8			
P54	SOB2/KR4/RTP04/DCK	41	K8			
P55	$\overline{SCKB2}$ /KR5/RTP05/DMS	42	J8			

Remark GC: 100-pin plastic LQFP (fine pitch) (14 × 14)

F1: 121-pin plastic FBGA (8 × 8)

(2/3)

Pin	Alternate Function	Pin No.		I/O Circuit Type	Recommended Connection of Unused Pin
		GC	F1		
P70 to P711	ANI0 to ANI11	100 to 89	A3 to A5, B3 to B5, C3 to C5, D3 to D5	11-G	Input: Independently connect to AV _{REF0} or AV _{SS} via a resistor. Output: Leave open.
P90	KR6/TDXA1/SDA02	43	H8	10-D	Input: Independently connect to EV _{DD} or EV _{SS} via a resistor. Output: Leave open.
P91	KR7/RXDA1/SCL02	44	L9		
P92	TIP41/TOP41/TXDA4	45	K9		
P93	TIP40/TOP40/RXDA4	46	J9		
P94	TIP31/TOP31/TXDA5	47	L10		
P95	TIP30/TOP30/RXDA5	48	K10		
P96	TXDC0/TIP21/TOP21	49	K11		
P97	SIB1/RXDC0/TIP20/TOP20	50	J11		
P98	SOB1	51	J10	10-G	
P99	$\overline{\text{SCKB1}}$	52	H11	10-D	
P910	SIB3	53	H10		
P911	SOB3	54	H9	10-G	
P912	$\overline{\text{SCKB3}}$	55	G11	10-D	
P913	INTP4	56	G10		
P914	INTP5/TIP51/TOP51	57	G9		
P915	INTP6/TIP50/TOP50	58	G8		
PCM0	$\overline{\text{WAIT}}$	61	F11	5	
PCM1	CLKOUT	62	F10		
PCM2	$\overline{\text{HLDAK}}$	63	E10		
PCM3	$\overline{\text{HLDRQ}}$	64	E9		
PCT0, PCT1	$\overline{\text{WR0}}, \overline{\text{WR1}}$	65, 66	E8, D10		
PCT4	$\overline{\text{RD}}$	67	D9		
PCT6	ASTB	68	D8		
PDH0 to PDH4	A16 to A20	87, 88, 59, 60, 6	C6, D6, F9, F8, F4		
PDL0 to PDL4	AD0 to AD4	71 to 75	B10, B11, C9 to C11		
PDL5	AD5/FLMD1	76	A10		

Remark GC: 100-pin plastic LQFP (fine pitch) (14 × 14)

F1: 121-pin plastic FBGA (8 × 8)

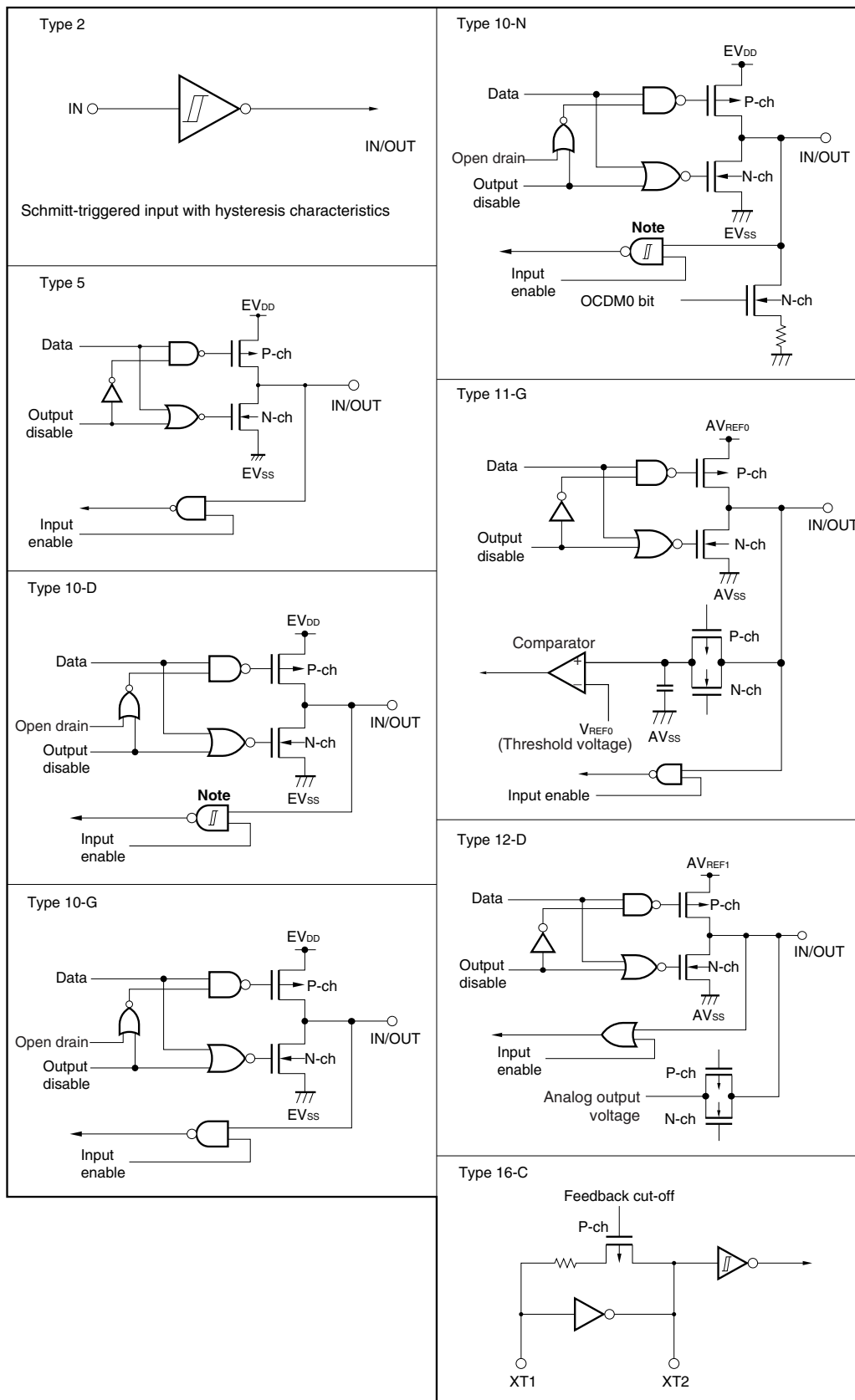
(3/3)

Pin	Alternate Function	Pin No.		I/O Circuit Type	Recommended Connection of Unused Pin
		GC	F1		
PDL6 to PDL15	AD6 to AD15	77 to 86	A7 to A9, B6 to B9, C7, C8, D7	5	Input: Independently connect to EV _{DD} or EV _{SS} via a resistor. Output: Leave open.
UDMF	–	28	K4	–	Pull this pin down to the level of V _{SS} by using a resistor with a resistance of 50 kΩ or higher.
UDPF	–	29	K5	–	Pull this pin down to the level of V _{SS} by using a resistor with a resistance of 50 kΩ or higher.
UV _{DD}	–	30	K6	–	Directly connect to V _{DD} and always supply power.
AV _{REF0}	–	1	A1, A2, B1	–	Directly connect to V _{DD} and always supply power.
AV _{REF1}	–	5	B2	–	Directly connect to V _{DD} and always supply power.
AV _{SS}	–	2	C1, C2	–	Directly connect to V _{SS} and always supply power.
RV _{DD}	–	17	D2	–	Directly connect to V _{DD} and always supply power.
EV _{DD}	–	34, 70	A11, D11, K6, L11, L6	–	Directly connect to V _{DD} and always supply power.
EV _{SS}	–	33, 69	Note	–	Directly connect to V _{SS} and always supply power.
FLMD0	–	8	F3	–	Directly connect to V _{SS} in a mode other than the flash memory programming mode.
REGC	–	10	E1, E2	–	Connection of regulator output stabilization capacitance (4.7 μF (recommended value))
RESET	–	14	H3	2	–
V _{DD}	–	9	D1	–	–
V _{SS}	–	11	G1, G2, J1	–	–
X1	–	12	F1	–	–
X2	–	13	F2	–	–
XT1	–	15	H1	16-C	Connect to V _{SS} .
XT2	–	16	H2	16-C	Leave open.

Note A6, E5 to E7, E11, F5 to F7, G5 to G7, L1, L5

Remark GC: 100-pin plastic LQFP (fine pitch) (14 × 14)
F1: 121-pin plastic FBGA (8 × 8)

Figure 2-1. Pin I/O Circuits



Note Hysteresis characteristics are not available in port mode.

2.4 Cautions

When the power is turned on, the following pins may output an undefined level temporarily even during reset.

- P10/ANO0 pin
- P11/ANO1 pin
- P53/SIB2/KR3/TIQ00/TOQ00/RTP03/DDO pin

CHAPTER 3 CPU FUNCTION

The CPU of the V850ES/JG3-L is based on RISC architecture and executes almost all instructions in one clock cycle by using a 5-stage pipeline.

3.1 Features

- Variable length instructions (16 bits/32 bits)
- Minimum instruction execution time: 50 ns (operating on main clock (f_{XX}) of 20 MHz: $V_{DD} = 2.7$ to 3.6 V,
When USB is not used)
 - 62.5 ns (operating on main clock (f_{XX}) of 16 MHz: $V_{DD} = 3.0$ to 3.6 V,
When USB is used)
 - 200 ns (operating on main clock (f_{XX}) of 5 MHz: $V_{DD} = 2.2$ to 3.6 V)
 - 400 ns (operating on main clock (f_{XX}) of 2.5 MHz: $V_{DD} = 2.0$ to 3.6 V)
 - 30.5 μ s (operating on subclock (f_{XT}) of 32.768 kHz: $V_{DD} = 2.0$ to 3.6 V))
- Memory space Program space: 64 MB linear
 Data space: 4 GB linear
- General-purpose registers: 32 bits \times 32 registers
- Internal 32-bit architecture
- 5-stage pipeline control
- Multiplication/division instruction
- Saturation operation instruction
- 32-bit shift instruction: 1 clock
- Load/store instruction with long/short format
- Four types of bit manipulation instructions
 - SET1
 - CLR1
 - NOT1
 - TST1

3.2 CPU Register Set

The registers of the V850ES/JG3-L can be classified into two types: general-purpose program registers and dedicated system registers. All the registers are 32 bits wide.

For details, refer to the **V850ES Architecture User's Manual**.

(1) Program register set		(2) System register set	
31	General-purpose registers	31	0
r0	(Zero register)	EIPC	(Interrupt status saving register)
r1	(Assembler-reserved register)	EIPSW	(Interrupt status saving register)
r2			
r3	(Stack pointer (SP))	FEPC	(NMI status saving register)
r4	(Global pointer (GP))	FEPSW	(NMI status saving register)
r5	(Text pointer (TP))		
r6		ECR	(Interrupt source register)
r7			
r8		PSW	(Program status word)
r9			
r10		CTPC	(CALLT execution status saving register)
r11		CTPSW	(CALLT execution status saving register)
r12			
r13		DBPC	(Exception/debug trap status saving register)
r14		DBPSW	(Exception/debug trap status saving register)
r15			
r16			
r17		CTBP	(CALLT base pointer)
r18			
r19			
r20			
r21			
r22			
r23			
r24			
r25			
r26			
r27			
r28			
r29			
r30	(Element pointer (EP))		
r31	(Link pointer (LP))		
31			0
PC	(Program counter)		

3.2.1 Program register set

The program registers include general-purpose registers and a program counter.

(1) General-purpose registers (r0 to r31)

Thirty-two general-purpose registers, r0 to r31, are available. Any of these registers can be used to store a data variable or an address variable.

However, r0 and r30 are implicitly used by instructions and care must be exercised when these registers are used. r0 always holds 0 and is used for an operation that uses 0 or addressing of offset 0. r30 is used by the SLD and SST instructions as a base pointer when these instructions access the memory. r1, r3 to r5, and r31 are implicitly used by the assembler and C compiler. When using these registers, save their contents for protection, and then restore the contents after using the registers. r2 is sometimes used by the real-time OS. If the real-time OS does not use r2, it can be used as a register for variables.

Table 3-1. Program Registers

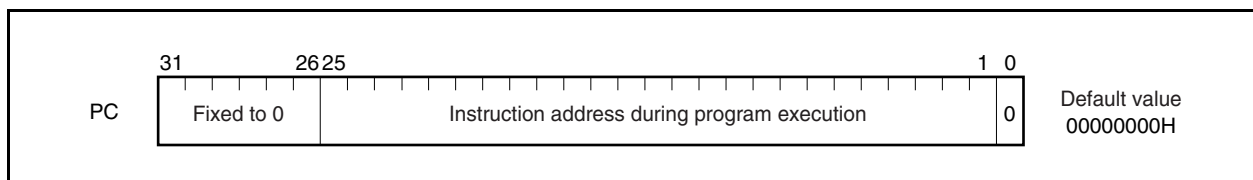
Name	Usage	Operation
r0	Zero register	Always holds 0.
r1	Assembler-reserved register	Used as working register to create 32-bit immediate data
r2	Register for address/data variable (if real-time OS does not use r2)	
r3	Stack pointer	Used to create a stack frame when a function is called
r4	Global pointer	Used to access a global variable in the data area
r5	Text pointer	Used as register that indicates the beginning of a text area (area where program codes are located)
r6 to r29	Register for address/data variable	
r30	Element pointer	Used as base pointer to access memory
r31	Link pointer	Used when the compiler calls a function
PC	Program counter	Holds the instruction address during program execution

Remark For further details on the r1, r3 to r5, and r31 that are used in the assembler and C compiler, refer to the **CA850 (C Compiler Package) Assembly Language User's Manual**.

(2) Program counter (PC)

The program counter holds the instruction address during program execution. The lower 32 bits of this register are valid. Bits 31 to 26 are fixed to 0. A carry from bit 25 to 26 is ignored even if it occurs.

Bit 0 is fixed to 0. This means that execution cannot branch to an odd address.



3.2.2 System register set

The system registers control the status of the CPU and hold interrupt information.

These registers can be read or written by using system register load/store instructions (LDSR and STSR), using the system register numbers listed below.

Table 3-2. System Register Numbers

System Register Number	System Register Name	Operand Specification	
		LDSR Instruction	STSR Instruction
0	Interrupt status saving register (EIPC) ^{Note 1}	√	√
1	Interrupt status saving register (EIPSW) ^{Note 1}	√	√
2	NMI status saving register (FEPC) ^{Note 1}	√	√
3	NMI status saving register (FEPSW) ^{Note 1}	√	√
4	Interrupt source register (ECR)	×	√
5	Program status word (PSW)	√	√
6 to 15	Reserved for future function expansion (operation is not guaranteed if these registers are accessed)	×	×
16	CALLT execution status saving register (CTPC)	√	√
17	CALLT execution status saving register (CTPSW)	√	√
18	Exception/debug trap status saving register (DBPC)	√ ^{Note 2}	√ ^{Note 2}
19	Exception/debug trap status saving register (DBPSW)	√ ^{Note 2}	√ ^{Note 2}
20	CALLT base pointer (CTBP)	√	√
21 to 31	Reserved for future function expansion (operation is not guaranteed if these registers are accessed)	×	×

Notes 1. Because only one set of these registers is available, the contents of these registers must be saved by program if multiple interrupts are enabled.

2. These registers can be accessed only during the interval between the execution of the DBTRAP instruction or illegal opcode and DBRET instruction execution.

Caution Even if EIPC or FEPC, or bit 0 of CTPC is set to 1 by the LDSR instruction, bit 0 is ignored when execution is returned to the main routine by the RETI instruction after interrupt servicing (this is because bit 0 of the PC is fixed to 0). Set an even value to EIPC, FEPC, and CTPC (bit 0 = 0).

Remark √: Can be accessed

×: Access prohibited

(1) Interrupt status saving registers (EIPC and EIPSW)

EIPC and EIPSW are used to save the status when an interrupt occurs.

If a software exception or a maskable interrupt occurs, the contents of the program counter (PC) are saved to EIPC, and the contents of the program status word (PSW) are saved to EIPSW (these contents are saved to the NMI status saving registers (FEPC and FEPSW) if a non-maskable interrupt occurs).

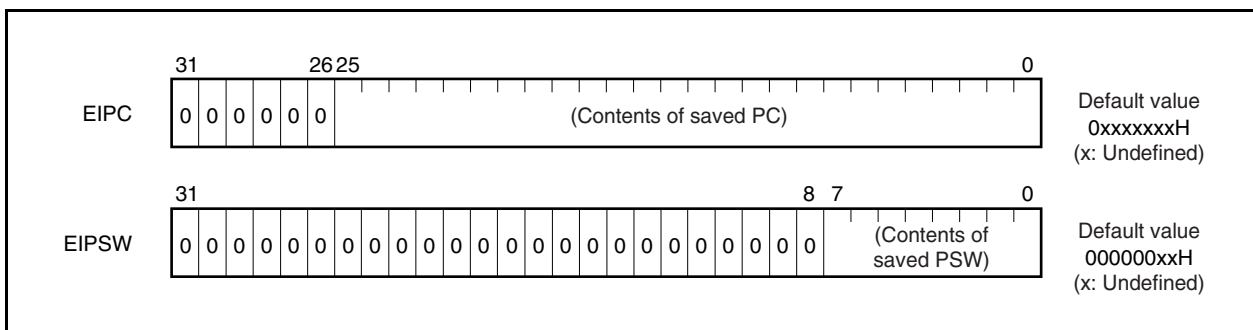
The address of the instruction next to the instruction under execution, except some instructions (see **22.9 Periods in Which Interrupts Are Not Acknowledged by CPU**), is saved to EIPC when a software exception or a maskable interrupt occurs.

The current contents of the PSW are saved to EIPSW.

Because only one set of interrupt status saving registers is available, the contents of these registers must be saved by program when multiple interrupts are enabled.

Bits 31 to 26 of EIPC and bits 31 to 8 of EIPSW are reserved for future function expansion (these bits are always fixed to 0).

The value of EIPC is restored to the PC and the value of EIPSW to the PSW by the RETI instruction.



(2) NMI status saving registers (FEPC and FEPSW)

FEPC and FEPSW are used to save the status when a non-maskable interrupt (NMI) occurs.

If an NMI occurs, the contents of the program counter (PC) are saved to FEPC, and those of the program status word (PSW) are saved to FEPSW.

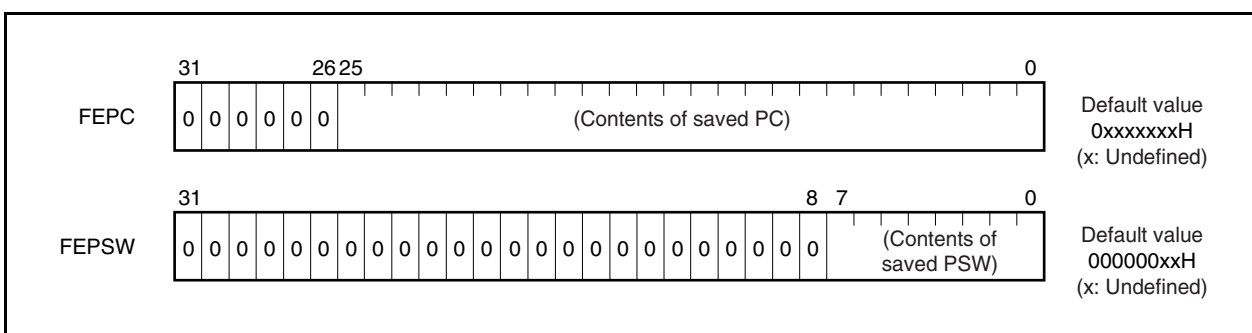
The address of the instruction next to the one of the instruction under execution, except some instructions, is saved to FEPC when an NMI occurs.

The current contents of the PSW are saved to FEPSW.

Because only one set of NMI status saving registers is available, the contents of these registers must be saved by program when multiple interrupts are enabled (for multiple interrupt servicing using the NMI pin and the INTWDT2 interrupt request signal).

Bits 31 to 26 of FEPC and bits 31 to 8 of FEPSW are reserved for future function expansion (these bits are always fixed to 0).

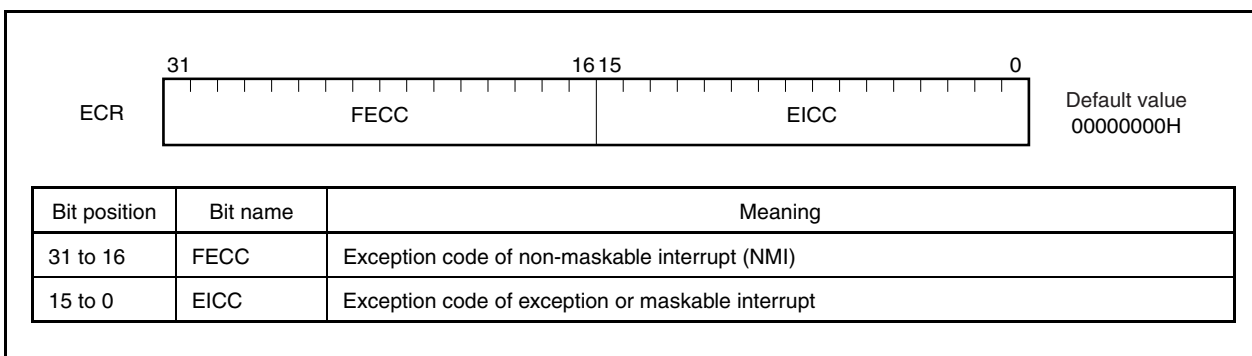
The value of FEPC is restored to the PC and the value of FEPSW to the PSW by the RETI instruction.



(3) Interrupt source register (ECR)

The interrupt source register (ECR) holds the source of an exception or interrupt if an exception or interrupt occurs.

This register holds the exception code of each interrupt source. Because this register is a read-only register, data cannot be written to this register using the LDSR instruction.



(4) Program status word (PSW)

The program status word (PSW) is a collection of flags that indicate the status of the program (result of instruction execution) and the status of the CPU.

If the contents of a bit of this register are changed by using the LDSR instruction, the new contents are validated immediately after completion of LDSR instruction execution. However if the ID flag is set to 1, interrupt requests will not be acknowledged while the LDSR instruction is being executed.

Bits 31 to 8 of this register are reserved for future function expansion (these bits are fixed to 0).

(1/2)

31	8 7 6 5 4 3 2 1 0	Default value 0000020H																																						
PSW	<table style="width: 100%; text-align: center; border-collapse: collapse;"> <tr> <td style="border: 1px solid black;">0</td><td style="border: 1px solid black;">0</td><td style="border: 1px solid black;">0</td><td style="border: 1px solid black;">0</td><td style="border: 1px solid black;">0</td><td style="border: 1px solid black;">0</td><td style="border: 1px solid black;">0</td><td style="border: 1px solid black;">0</td><td style="border: 1px solid black;">0</td><td style="border: 1px solid black;">0</td><td style="border: 1px solid black;">0</td><td style="border: 1px solid black;">0</td><td style="border: 1px solid black;">0</td><td style="border: 1px solid black;">0</td><td style="border: 1px solid black;">0</td><td style="border: 1px solid black;">0</td><td style="border: 1px solid black;">0</td><td style="border: 1px solid black;">0</td><td style="border: 1px solid black;">0</td><td style="border: 1px solid black;">0</td><td style="border: 1px solid black;">0</td><td style="border: 1px solid black;">0</td><td style="border: 1px solid black;">0</td><td style="border: 1px solid black;">0</td><td style="border: 1px solid black;">0</td><td style="border: 1px solid black;">0</td><td style="border: 1px solid black;">0</td><td style="border: 1px solid black;">0</td><td style="border: 1px solid black;">0</td><td style="border: 1px solid black;">0</td><td style="border: 1px solid black;">NP</td><td style="border: 1px solid black;">EP</td><td style="border: 1px solid black;">ID</td><td style="border: 1px solid black;">SAT</td><td style="border: 1px solid black;">CY</td><td style="border: 1px solid black;">OV</td><td style="border: 1px solid black;">S</td><td style="border: 1px solid black;">Z</td> </tr> </table>	0	0	0	0	0	0	0	0	0	0	0	0	0	0	0	0	0	0	0	0	0	0	0	0	0	0	0	0	0	0	NP	EP	ID	SAT	CY	OV	S	Z	
0	0	0	0	0	0	0	0	0	0	0	0	0	0	0	0	0	0	0	0	0	0	0	0	0	0	0	0	0	0	NP	EP	ID	SAT	CY	OV	S	Z			

Bit position	Flag name	Meaning
7	NP	Indicates that a non-maskable interrupt (NMI) is being serviced. This bit is set to 1 when an NMI request is acknowledged, disabling multiple interrupts. 0: NMI is not being serviced. 1: NMI is being serviced.
6	EP	Indicates that an exception is being processed. This bit is set to 1 when an exception occurs. Even if this bit is set, interrupt requests are acknowledged. 0: Exception is not being processed. 1: Exception is being processed.
5	ID	Indicates whether a maskable interrupt can be acknowledged. 0: Interrupt enabled 1: Interrupt disabled
4	SAT ^{Note}	Indicates that the result of a saturation operation has overflowed and is saturated. Because this is a cumulative flag, it is set to 1 when the result of a saturation operation instruction is saturated, and is not cleared to 0 even if the subsequent operation result is not saturated. Use the LDSR instruction to clear this bit. This flag is neither set to 1 nor cleared to 0 by execution of an arithmetic operation instruction. 0: Not saturated 1: Saturated
3	CY	Indicates whether a carry or a borrow occurs as a result of an operation. 0: Carry or borrow does not occur. 1: Carry or borrow occurs.
2	OV ^{Note}	Indicates whether an overflow occurs during operation. 0: Overflow does not occur. 1: Overflow occurs.
1	S ^{Note}	Indicates whether the result of an operation is negative. 0: The result is positive or 0. 1: The result is negative.
0	Z	Indicates whether the result of an operation is 0. 0: The result is not 0. 1: The result is 0.

Remark Also read **Note** on the next page.

(2/2)

Note The result of the operation that has performed saturation processing is determined by the contents of the OV and S flags. The SAT flag is set to 1 only when the OV flag is set to 1 when a saturation operation is performed.

Status of Operation Result	Flag Status			Result of Operation of Saturation Processing
	SAT	OV	S	
Maximum positive value is exceeded	1	1	0	7FFFFFFFH
Maximum negative value is exceeded	1	1	1	80000000H
Positive (maximum value is not exceeded)	Holds value before operation	0	0	Operation result itself
Negative (maximum value is not exceeded)			1	

(5) CALLT execution status saving registers (CTPC and CTPSW)

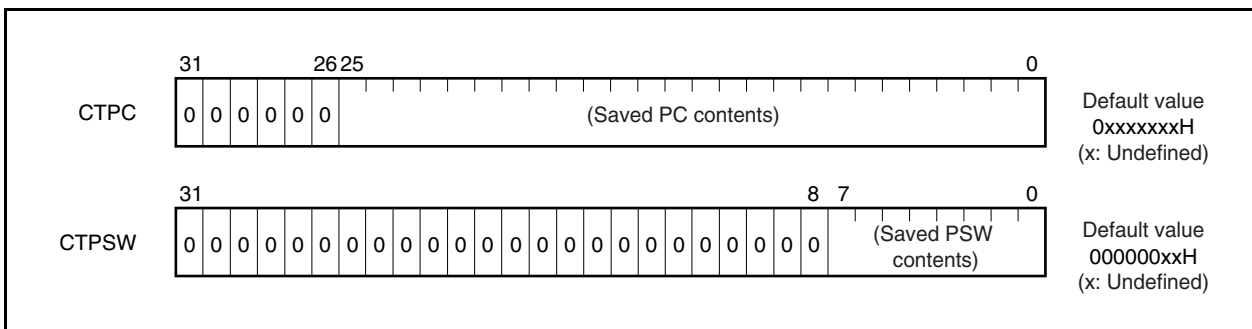
CTPC and CTPSW are CALLT execution status saving registers.

When the CALLT instruction is executed, the contents of the program counter (PC) are saved to CTPC, and those of the program status word (PSW) are saved to CTPSW.

The contents saved to CTPC are the address of the instruction next to CALLT.

The current contents of the PSW are saved to CTPSW.

Bits 31 to 26 of CTPC and bits 31 to 8 of CTPSW are reserved for future function expansion (fixed to 0).



(6) Exception/debug trap status saving registers (DBPC and DBPSW)

DBPC and DBPSW are exception/debug trap status registers.

If an exception trap or debug trap occurs, the contents of the program counter (PC) are saved to DBPC, and those of the program status word (PSW) are saved to DBPSW.

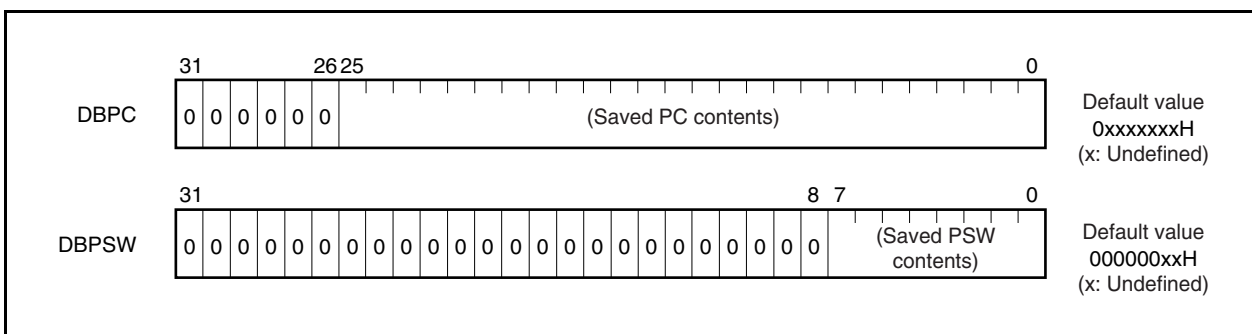
The contents to be saved to DBPC are the address of the instruction next to the one that is being executed when an exception trap or debug trap occurs.

The current contents of the PSW are saved to DBPSW.

This register can be read or written only during the interval between the execution of the DBTRAP instruction or illegal opcode and the DBRET instruction.

Bits 31 to 26 of DBPC and bits 31 to 8 of DBPSW are reserved for future function expansion (fixed to 0).

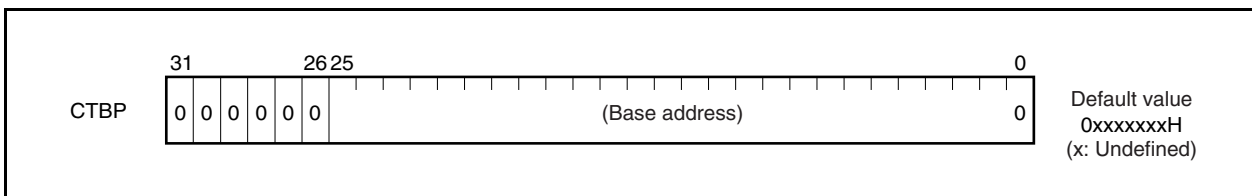
The value of DBPC is restored to the PC and the value of DBPSW to the PSW by the DBRET instruction.



(7) CALLT base pointer (CTBP)

The CALLT base pointer (CTBP) is used to specify a table address or generate a target address (bit 0 is fixed to 0).

Bits 31 to 26 of this register are reserved for future function expansion (fixed to 0).



3.3 Operation Modes

The V850ES/JG3-L has the following operation modes.

- Normal operation mode
- Flash memory programming mode
- Self programming mode
- On-chip debug mode

The operation mode is specified according to the status (input level) of the FLMD0 and FLMD1 pins.

To specify the normal operation mode, input a low level to the FLMD0 pin during the reset period.

A high level is input to the FLMD0 pin by the flash memory programmer in the flash memory programming mode if a flash programmer is connected. In the self-programming mode, input a high level to this pin from an external circuit.

Fix the specification of these pins in the application system and do not change the setting of these pins during operation.

FLMD0	FLMD1	Operation Mode
L	×	Normal operation mode
H	L	Flash memory programming mode
H	H	Setting prohibited

Remark H: High level
L: Low level
×: don't care

(1) Normal operation mode

After the system has been released from the reset state, the pins related to the bus interface are set to the port mode, execution branches to the reset entry address of the internal ROM, and instruction processing is started.

(2) Flash memory programming mode

When this mode is specified, the internal flash memory can be programmed by using a flash programmer.

(3) Self programming mode

Data can be erased and written from/to the flash memory by using a user application program. For details, see **CHAPTER 31 FLASH MEMORY**.

(4) On-chip debug mode

The V850ES/JG3-L is provided with an on-chip debug function that employs the JTAG (Joint Test Action Group) communication specifications.

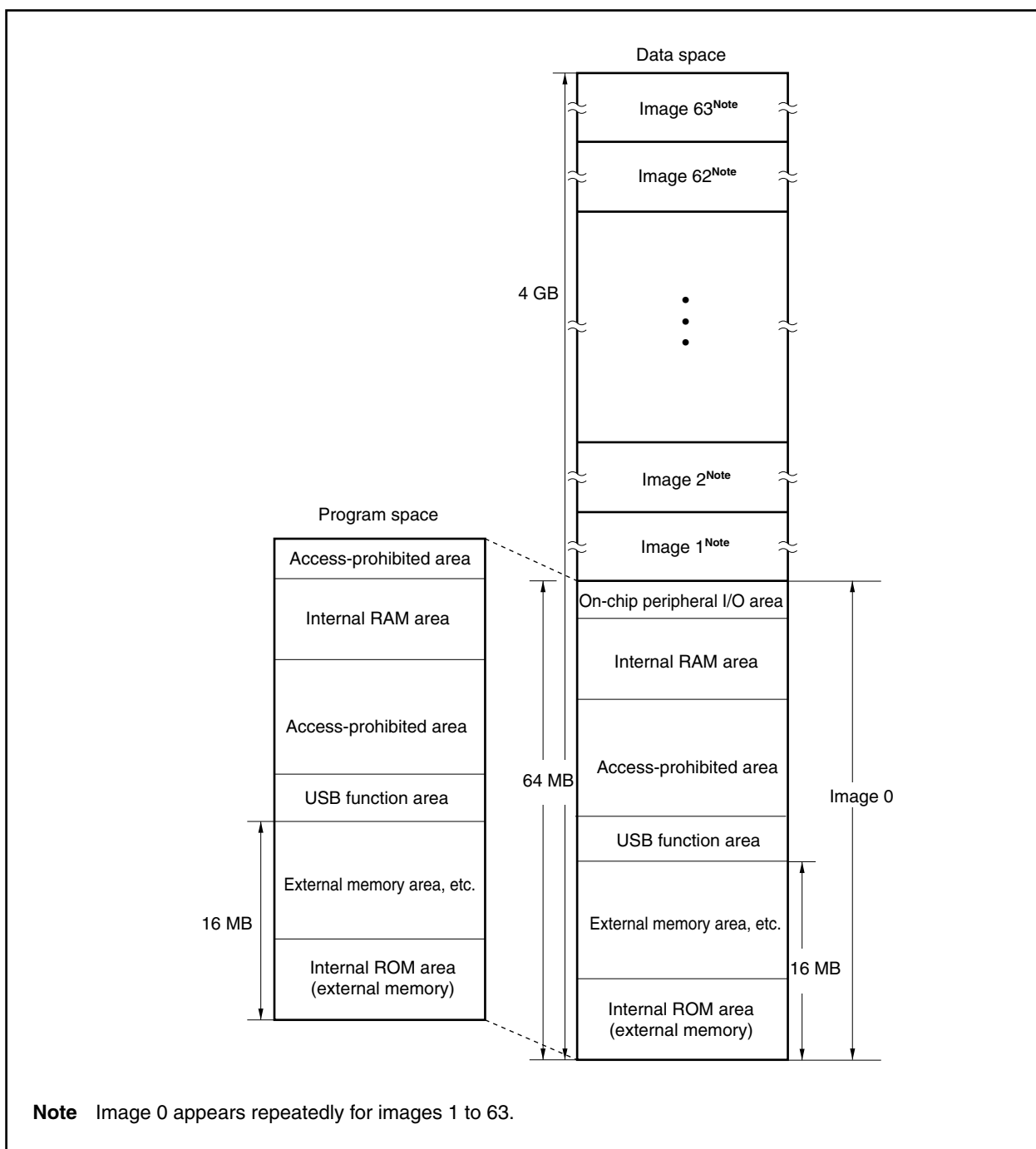
For details, see **CHAPTER 32 ON-CHIP DEBUG FUNCTION**.

3.4 Address Space

3.4.1 CPU address space

For instruction addressing, up to a combined total of 16 MB of external memory area and internal ROM area, plus an internal RAM area, are supported in a linear address space (program space) of up to 64 MB. For operand addressing (data access), up to 4 GB of a linear address space (data space) is supported. The 4 GB address space, however, is viewed as 64 images of a 64 MB physical address space. This means that the same 64 MB physical address space is accessed regardless of the value of bits 31 to 26.

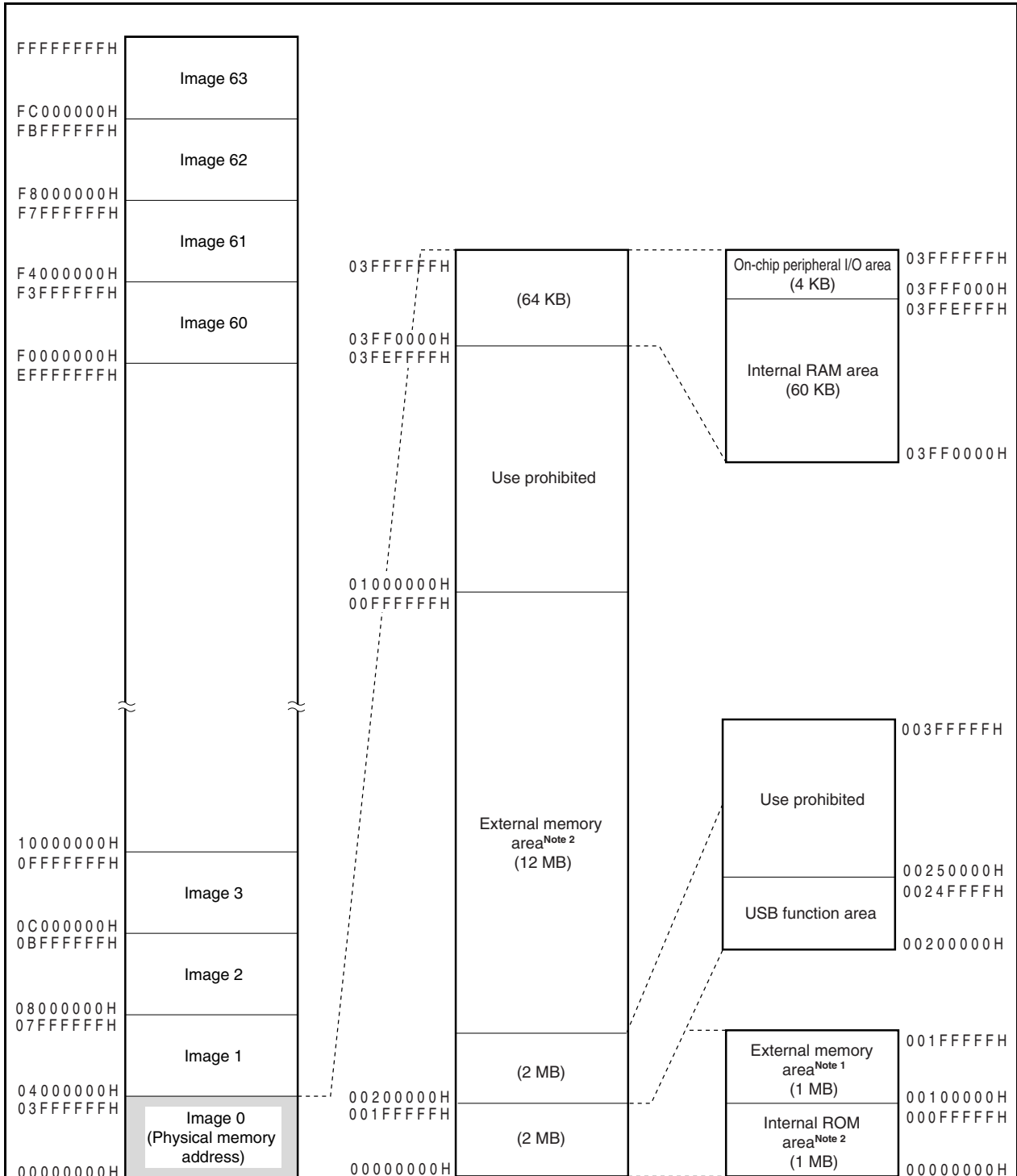
Figure 3-1. Address Space Image



3.4.2 Memory map

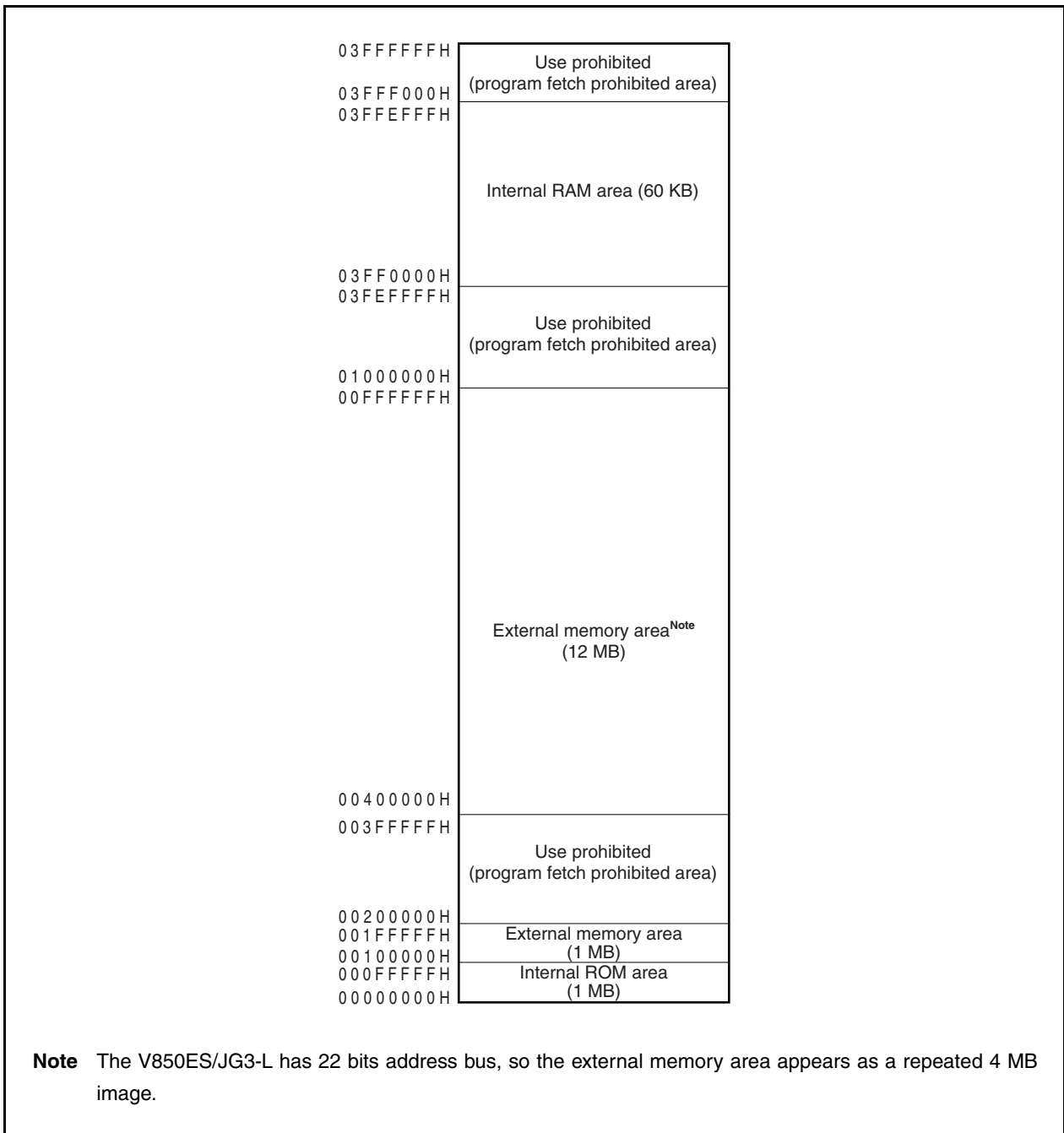
The areas shown below are reserved in the V850ES/JG3-L.

Figure 3-2. Data Memory Map (Physical Addresses)



- Notes 1.** The V850ES/JG3-L has 22 bits address bus, so the external memory area appears as a repeated 4 MB image.
- 2.** Fetch and read accesses to addresses 00000000H to 000FFFFFFH are made to the internal ROM area. However, data write accesses to these addresses are made to the external memory area.

Figure 3-3. Program Memory Map



3.4.3 Areas

(1) Internal ROM area

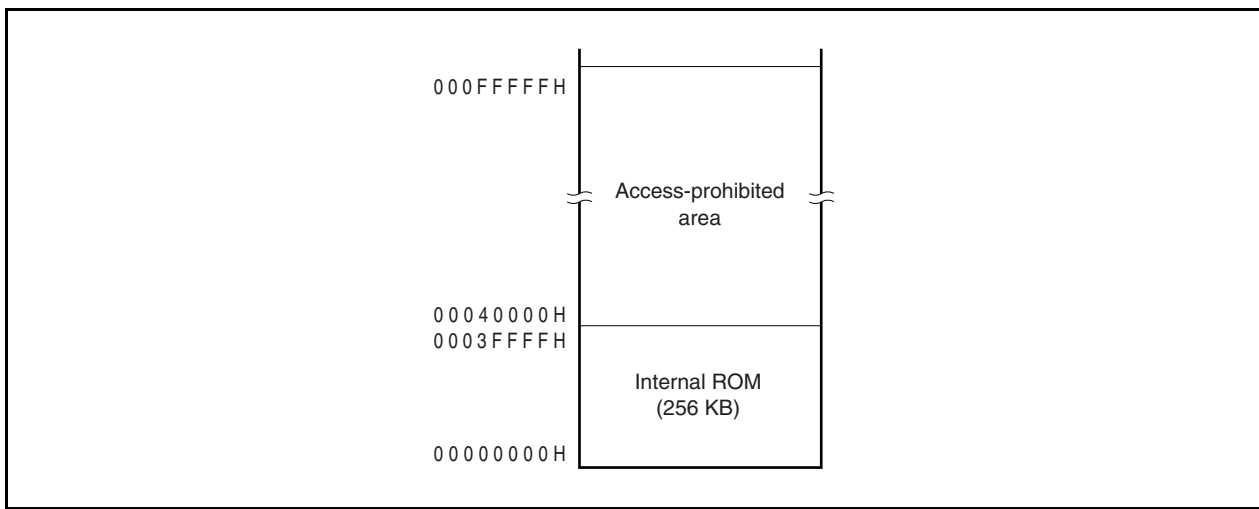
Up to 1 MB is reserved as an internal ROM area.

(a) Internal ROM (256 KB)

256 KB are allocated to addresses 00000000H to 0003FFFFH in the μ PD70F3794.

Accessing addresses 00040000H to 000FFFFFFH is prohibited.

Figure 3-4. Internal ROM Area (256 KB)

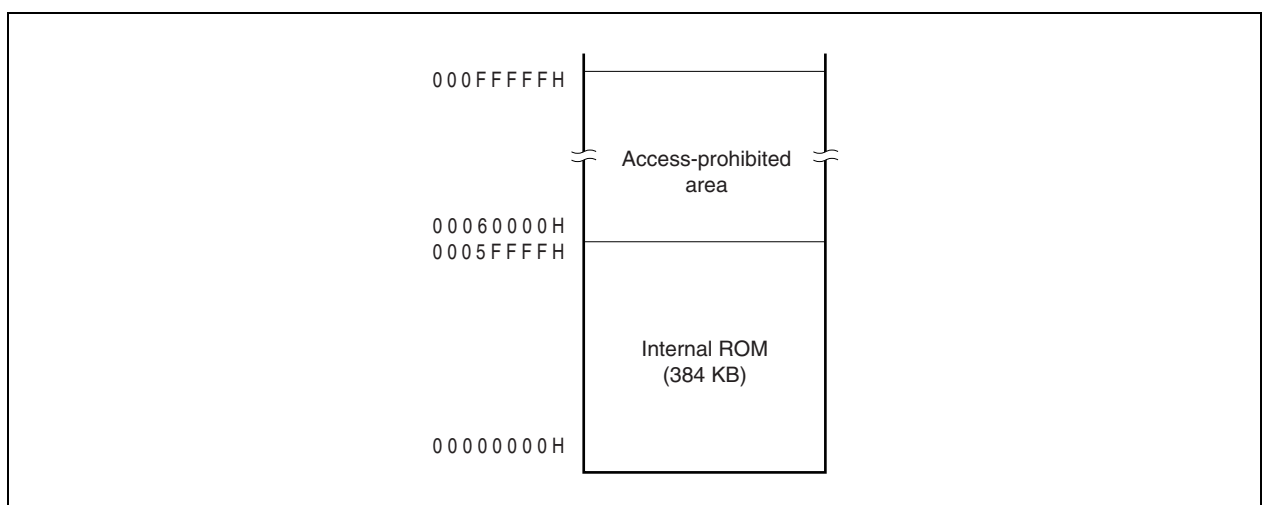


(b) Internal ROM (384 KB)

384 KB are allocated to addresses 00000000H to 0005FFFFH in the μ PD70F3795.

Accessing addresses 00060000H to 000FFFFFFH is prohibited.

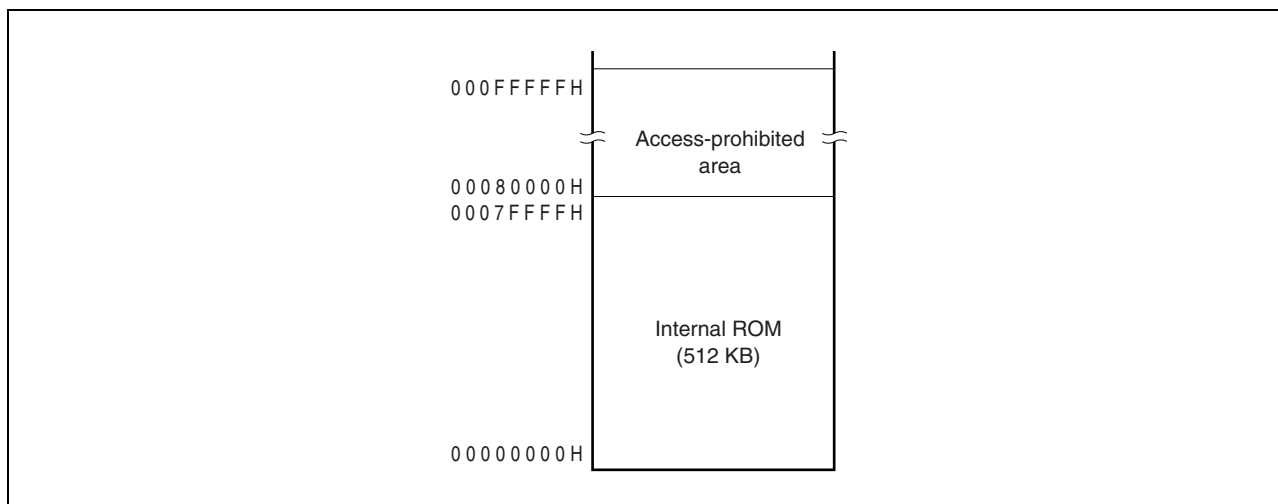
Figure 3-5. Internal ROM Area (384 KB)



(c) Internal ROM (512 KB)

512 KB are allocated to addresses 00000000H to 0007FFFFH in the μ PD70F3796.

Accessing addresses 00080000H to 000FFFFFFH is prohibited.

Figure 3-6. Internal ROM Area (512 KB)

(2) Internal RAM area

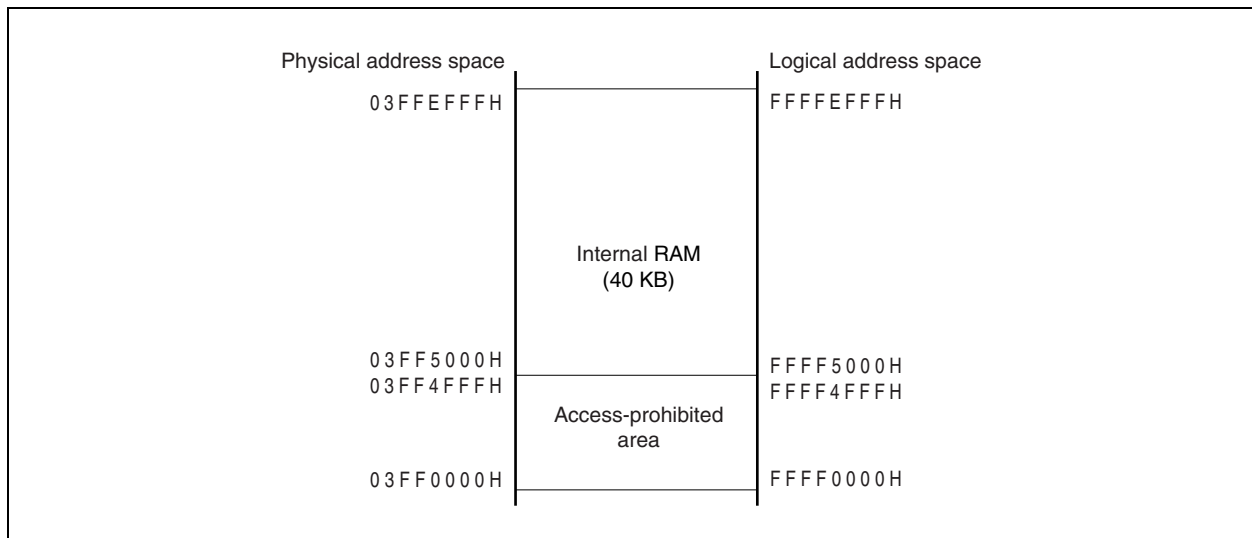
Up to 60 KB allocated to physical addresses 03FF0000H to 03FFFFFFFFH are reserved as the internal RAM area.
The RAM capacity of V850ES/JG3-L is as follows.

Table 3-3 RAM area

Product Name	Internal RAM
μ PD70F3794	40 KB
μ PD70F3795	40 KB
μ PD70F3796	40 KB

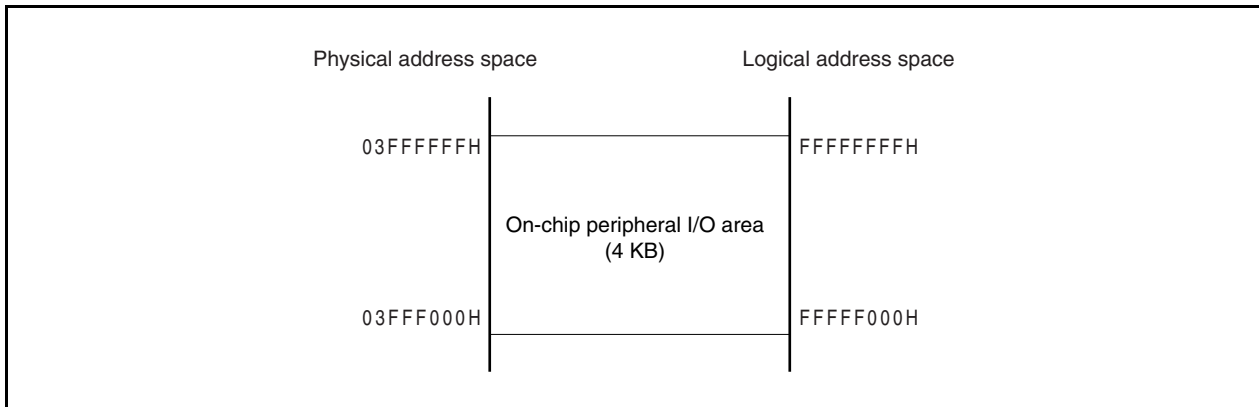
(a) Internal RAM (40 KB)

40 KB are allocated to addresses 03FF5000H to 03FFFFFFFFH of μ PD70F3794, 70F3795, 70F3796.
Accessing addresses 03FF0000H to 03FF4FFFH is prohibited.

Figure 3-7. Internal RAM Area (40 KB)

(3) On-chip peripheral I/O area

4 KB allocated to physical addresses 03FFF000H to 03FFFFFFH are reserved as the on-chip peripheral I/O area.

Figure 3-8. On-Chip Peripheral I/O Area

Peripheral I/O registers that have functions to specify the operation mode for and monitor the status of the on-chip peripheral I/O are mapped to the on-chip peripheral I/O area. Program cannot be fetched from this area.

- Cautions**
1. When a peripheral I/O register is accessed in word units, a word area is accessed twice in halfword units in the order of lower area then higher area, with the lower 2 bits of the address ignored.
 2. If a peripheral I/O register that can be accessed in byte units is accessed in halfword units, the lower 8 bits are valid. The higher 8 bits are undefined when the register is read and are invalid when the register is written.
 3. Addresses not defined as registers are reserved for future expansion. The operation is undefined and not guaranteed when these addresses are accessed.
 4. The internal ROM/RAM area and on-chip peripheral I/O area are assigned to successive addresses.

When accessing the internal ROM/RAM area by incrementing or decrementing addresses using a pointer operation for example, be careful not to access the on-chip peripheral I/O area by mistakenly extending over the internal ROM/RAM area boundary.

(4) External memory area

13 MB (00100000H to 001FFFFFFH, 00400000H to 00FFFFFFH) are allocated as the external memory area. For details, see **CHAPTER 5 BUS CONTROL FUNCTION**.

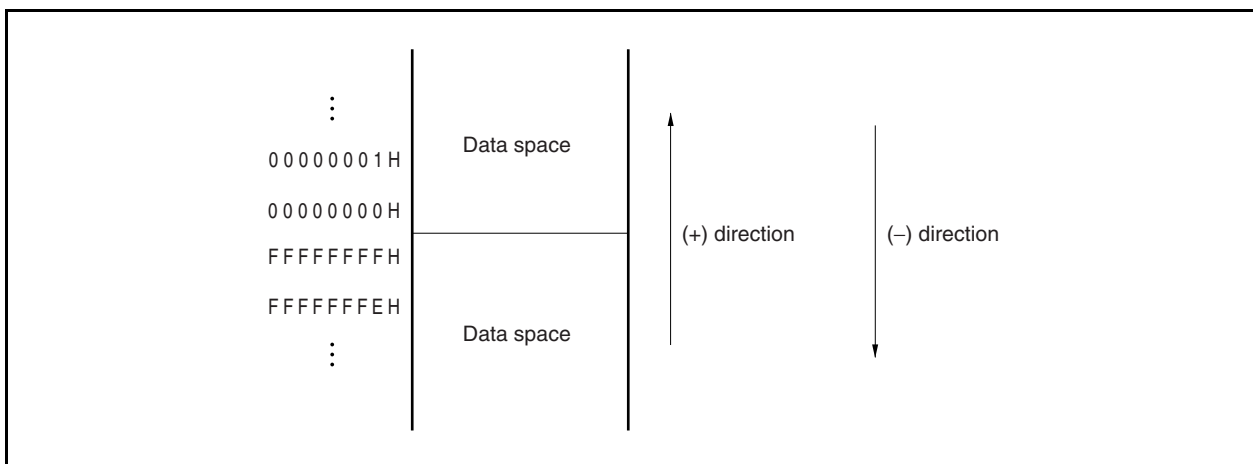
Caution The V850ES/JG3-L has 22 bits address bus, so the external memory area appears as a repeated 4 MB image.

3.4.4 Wraparound of data space

The result of an operand address calculation operation that exceeds 32 bits is ignored.

Therefore, the highest address of the data space, FFFFFFFFH, and the lowest address, 00000000H, are contiguous, and wraparound occurs at the boundary of these addresses.

Figure 3-9. Wraparound of Data Space



3.4.5 Recommended use of address space

The architecture of the V850ES/JG3-L requires that a register that serves as a pointer be secured for address generation when operand data in the data space is accessed. The address stored in this pointer ± 32 KB can be directly accessed by an instruction for operand data. Because the number of general-purpose registers that can be used as a pointer is limited, however, by keeping the performance from dropping during address calculation when a pointer value is changed, as many general-purpose registers as possible can be secured for variables, and the program size can be reduced.

(1) Program space

Of the 32 bits of the PC (program counter), the higher 6 bits are fixed to 0, and only the lower 26 bits are valid. Regarding the program space, therefore, a 64 MB space of contiguous addresses starting from 00000000H unconditionally corresponds to the memory map.

To use the internal RAM area as the program space, access the following addresses.

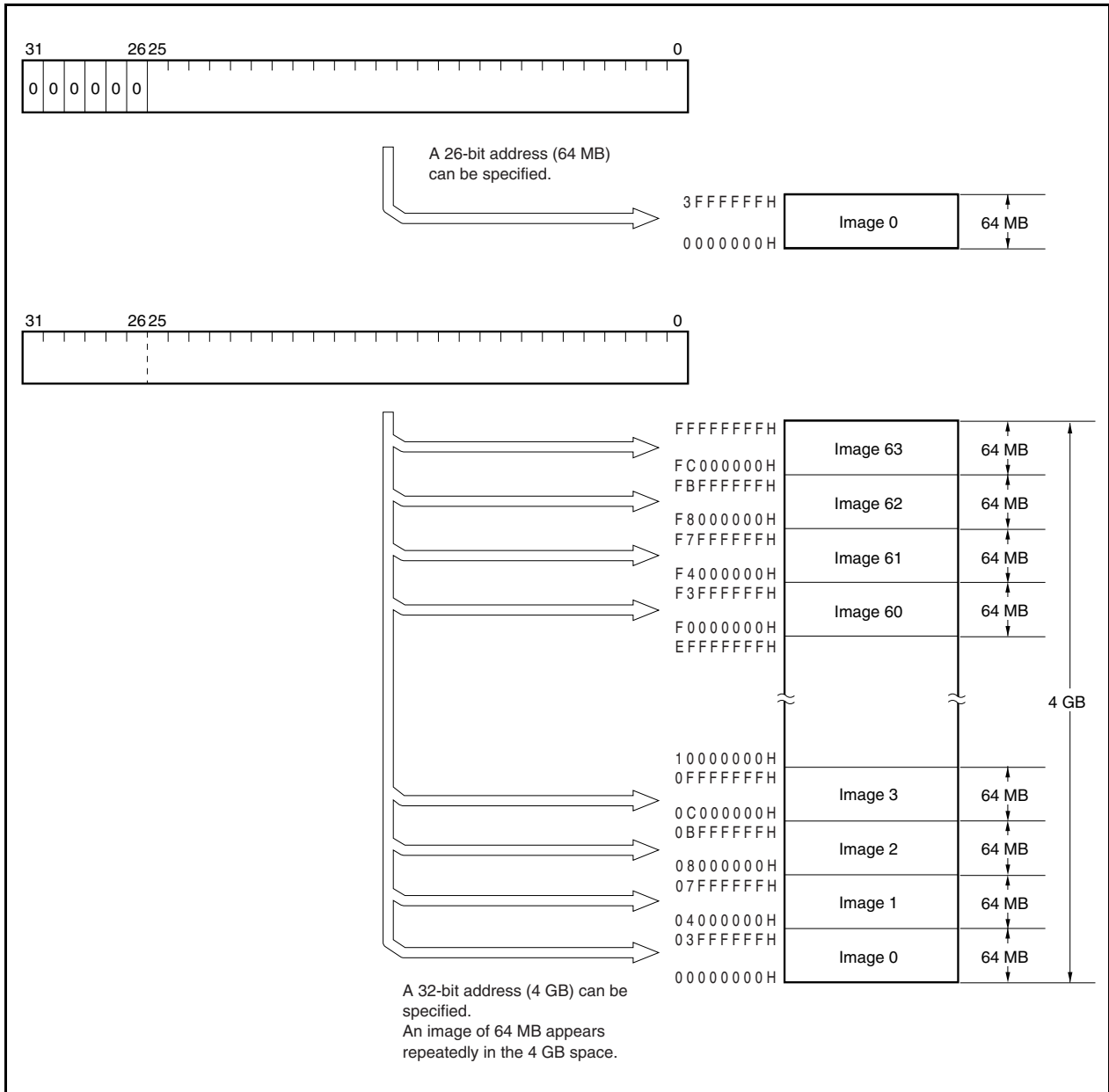
Caution If a branch instruction is at the upper limit of the internal RAM area, a prefetch operation (invalid fetch) straddling the on-chip peripheral I/O area does not occur.

Product Name	RAM Size	Access Address
μ PD70F3794	40 KB	03FF5000H to 03FFFEFFH
μ PD70F3795		
μ PD70F3796		

(2) Data space

With the V850ES/JG3-L, it seems that there are sixty-four 64 MB (26-bit address) physical address spaces on the 4 GB (32-bit address) CPU address space. Therefore, the most significant bit (bit 25) of a 26-bit address of these 64 MB spaces is sign-extended to 32 bits and allocated as an address.

Figure 3-10. Sign Extension in Data Space



(a) Application example of wraparound

If R = r0 (zero register) is specified for the LD/ST disp16 [R] instruction, a range of addresses 0000000H \pm 32 KB can be addressed by sign-extended disp16. All the resources, including the internal hardware, can be addressed by one pointer.

The zero register (r0) is a register fixed to 0 by hardware, and practically eliminates the need for registers dedicated to pointers.

Figure 3-11. Example of Data Space Usage in μ PD70F3794

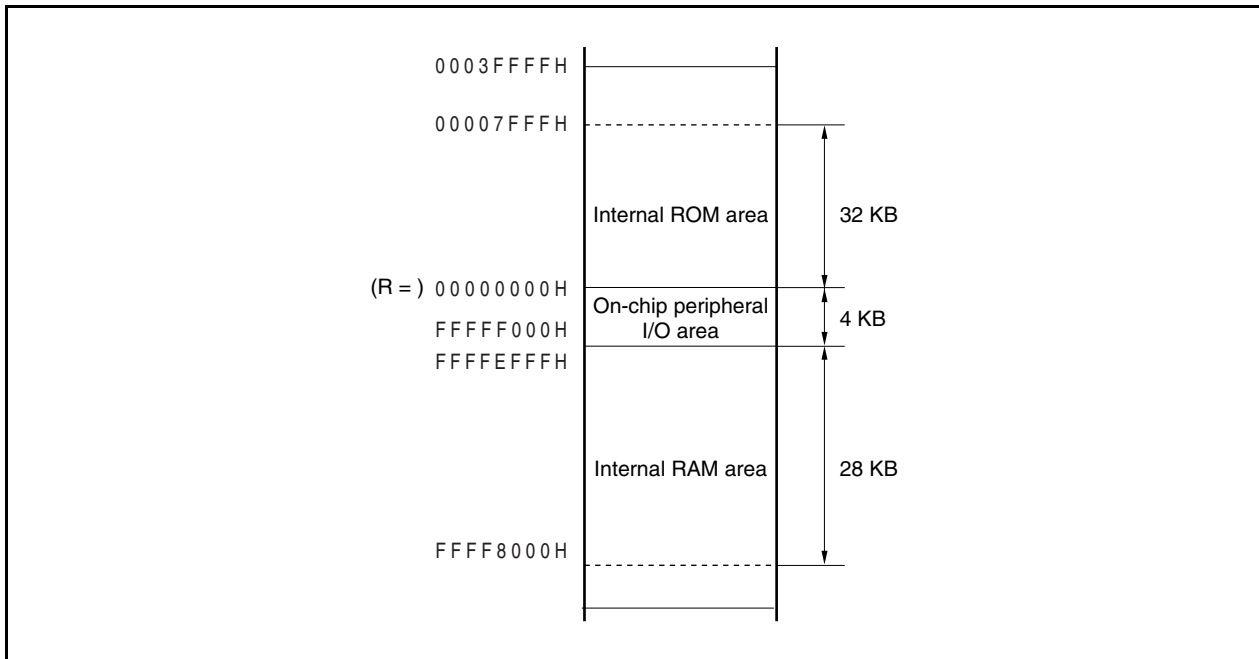
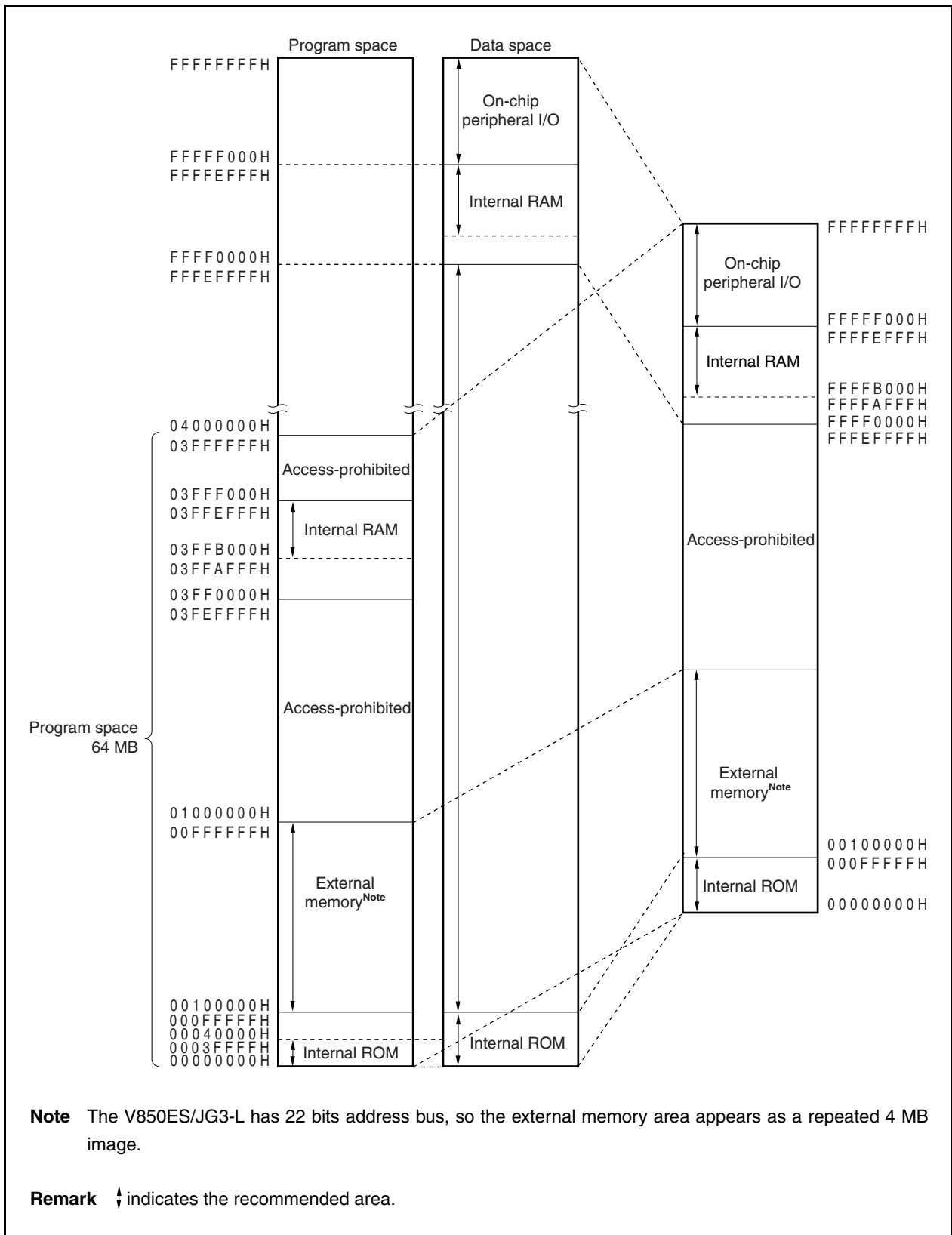


Figure 3-12. Recommended Memory Map (μ PD70F3794)



3.4.6 Peripheral I/O registers

(1/11)

Address	Function Register Name	Symbol	R/W	Manipulatable Bits			Default Value
				1	8	16	
FFFFF004H	Port DL register	PDL	R/W			√	0000H ^{Note}
FFFFF004H	Port DL register L	PDLL		√	√		00H ^{Note}
FFFFF005H	Port DL register H	PDLH		√	√		00H ^{Note}
FFFFF006H	Port DH register	PDH		√	√		00H ^{Note}
FFFFF00AH	Port CT register	PCT		√	√		00H ^{Note}
FFFFF00CH	Port CM register	PCM		√	√		00H ^{Note}
FFFFF024H	Port DL mode register	PMDL				√	FFFFH
FFFFF024H	Port DL mode register L	PMDLL		√	√		FFH
FFFFF025H	Port DL mode register H	PMDLH		√	√		FFH
FFFFF026H	Port DH mode register	PMDH		√	√		FFH
FFFFF02AH	Port CT mode register	PMCT		√	√		FFH
FFFFF02CH	Port CM mode register	PMCM		√	√		FFH
FFFFF044H	Port DL mode control register	PMCDL				√	0000H
FFFFF044H	Port DL mode control register L	PMCDLL		√	√		00H
FFFFF045H	Port DL mode control register H	PMCDLH		√	√		00H
FFFFF046H	Port DH mode control register	PMCDH		√	√		00H
FFFFF04AH	Port CT mode control register	PMCCCT		√	√		00H
FFFFF04CH	Port CM mode control register	PMCCM		√	√		00H
FFFFF066H	Bus size configuration register	BSC				√	5555H
FFFFF06EH	System wait control register	VSWC			√		77H
FFFFF080H	DMA source address register 0L	DSA0L				√	Undefined
FFFFF082H	DMA source address register 0H	DSA0H				√	Undefined
FFFFF084H	DMA destination address register 0L	DDA0L				√	Undefined
FFFFF086H	DMA destination address register 0H	DDA0H				√	Undefined
FFFFF088H	DMA source address register 1L	DSA1L				√	Undefined
FFFFF08AH	DMA source address register 1H	DSA1H				√	Undefined
FFFFF08CH	DMA destination address register 1L	DDA1L				√	Undefined
FFFFF08EH	DMA destination address register 1H	DDA1H				√	Undefined
FFFFF090H	DMA source address register 2L	DSA2L				√	Undefined
FFFFF092H	DMA source address register 2H	DSA2H				√	Undefined
FFFFF094H	DMA destination address register 2L	DDA2L				√	Undefined
FFFFF096H	DMA destination address register 2H	DDA2H				√	Undefined
FFFFF098H	DMA source address register 3L	DSA3L			√	Undefined	
FFFFF09AH	DMA source address register 3H	DSA3H			√	Undefined	
FFFFF09CH	DMA destination address register 3L	DDA3L			√	Undefined	
FFFFF09EH	DMA destination address register 3H	DDA3H			√	Undefined	
FFFFF0C0H	DMA transfer count register 0	DBC0			√	Undefined	
FFFFF0C2H	DMA transfer count register 1	DBC1			√	Undefined	
FFFFF0C4H	DMA transfer count register 2	DBC2			√	Undefined	
FFFFF0C6H	DMA transfer count register 3	DBC3			√	Undefined	
FFFFF0D0H	DMA addressing control register 0	DADC0			√	0000H	

Note The output latch is 00H or 0000H. When these registers are in the input mode, the pin statuses are read.

(2/11)

Address	Function Register Name	Symbol	R/W	Manipulatable Bits			Default Value
				1	8	16	
FFFFF0D2H	DMA addressing control register 1	DADC1	R/W			√	0000H
FFFFF0D4H	DMA addressing control register 2	DADC2				√	0000H
FFFFF0D6H	DMA addressing control register 3	DADC3				√	0000H
FFFFF0E0H	DMA channel control register 0	DCHC0		√	√		00H
FFFFF0E2H	DMA channel control register 1	DCHC1		√	√		00H
FFFFF0E4H	DMA channel control register 2	DCHC2		√	√		00H
FFFFF0E6H	DMA channel control register 3	DCHC3		√	√		00H
FFFFF100H	Interrupt mask register 0	IMR0				√	FFFFH
FFFFF100H	Interrupt mask register 0L	IMR0L		√	√		FFH
FFFFF101H	Interrupt mask register 0H	IMR0H		√	√		FFH
FFFFF102H	Interrupt mask register 1	IMR1				√	FFFFH
FFFFF102H	Interrupt mask register 1L	IMR1L		√	√		FFH
FFFFF103H	Interrupt mask register 1H	IMR1H		√	√		FFH
FFFFF104H	Interrupt mask register 2	IMR2				√	FFFFH
FFFFF104H	Interrupt mask register 2L	IMR2L		√	√		FFH
FFFFF105H	Interrupt mask register 2H	IMR2H		√	√		FFH
FFFFF106H	Interrupt mask register 3	IMR3				√	FFFFH
FFFFF106H	Interrupt mask register 3L	IMR3L		√	√		FFH
FFFFF107H	Interrupt mask register 3H	IMR3H		√	√		FFH
FFFFF110H	Interrupt control register (INTLVI)	LVIIC		√	√		47H
FFFFF112H	Interrupt control register (INTP0)	PIC0		√	√		47H
FFFFF114H	Interrupt control register (INTP1)	PIC1		√	√		47H
FFFFF116H	Interrupt control register (INTP2)	PIC2		√	√		47H
FFFFF118H	Interrupt control register (INTP3)	PIC3		√	√		47H
FFFFF11AH	Interrupt control register (INTP4)	PIC4		√	√		47H
FFFFF11CH	Interrupt control register (INTP5)	PIC5		√	√		47H
FFFFF11EH	Interrupt control register (INTP6)	PIC6		√	√		47H
FFFFF120H	Interrupt control register (INTP7)	PIC7		√	√		47H
FFFFF122H	Interrupt control register (INTTQ0OV)	TQ0OVIC		√	√		47H
FFFFF124H	Interrupt control register (INTTQ0CC0)	TQ0CCIC0		√	√		47H
FFFFF126H	Interrupt control register (INTTQ0CC1)	TQ0CCIC1		√	√		47H
FFFFF128H	Interrupt control register (INTTQ0CC2)	TQ0CCIC2		√	√		47H
FFFFF12AH	Interrupt control register (INTTQ0CC3)	TQ0CCIC3		√	√		47H
FFFFF12CH	Interrupt control register (INTTP0OV)	TP0OVIC	√	√		47H	
FFFFF12EH	Interrupt control register (INTTP0CC0)	TP0CCIC0	√	√		47H	
FFFFF130H	Interrupt control register (INTTP0CC1)	TP0CCIC1	√	√		47H	
FFFFF132H	Interrupt control register (INTTP1OV)	TP1OVIC	√	√		47H	
FFFFF134H	Interrupt control register (INTTP1CC0)	TP1CCIC0	√	√		47H	
FFFFF136H	Interrupt control register (INTTP1CC1)	TP1CCIC1	√	√		47H	
FFFFF138H	Interrupt control register (INTTP2OV)	TP2OVIC	√	√		47H	
FFFFF13AH	Interrupt control register (INTTP2CC0)	TP2CCIC0	√	√		47H	
FFFFF13CH	Interrupt control register (INTTP2CC1)	TP2CCIC1	√	√		47H	
FFFFF13EH	Interrupt control register (INTTP3OV)	TP3OVIC	√	√		47H	

(3/11)

Address	Function Register Name	Symbol	R/W	Manipulatable Bits			Default Value
				1	8	16	
FFFF140H	Interrupt control register (INTTP3CC0)	TP3CCIC0	R/W	√	√		47H
FFFF142H	Interrupt control register (INTTP3CC1)	TP3CCIC1		√	√		47H
FFFF144H	Interrupt control register (INTTP4OV)	TP4OVIC		√	√		47H
FFFF146H	Interrupt control register (INTTP4CC0)	TP4CCIC0		√	√		47H
FFFF148H	Interrupt control register (INTTP4CC1)	TP4CCIC1		√	√		47H
FFFF14AH	Interrupt control register (INTTP5OV)	TP5OVIC		√	√		47H
FFFF14CH	Interrupt control register (INTTP5CC0)	TP5CCIC0		√	√		47H
FFFF14EH	Interrupt control register (INTTP5CC1)	TP5CCIC1		√	√		47H
FFFF150H	Interrupt control register (INTTM0EQ0)	TM0EQIC0		√	√		47H
FFFF152H	Interrupt control register (INTCB0R/INTIIC1)	CB0RIC/IIC1		√	√		47H
FFFF154H	Interrupt control register (INTCB0T)	CB0TIC		√	√		47H
FFFF156H	Interrupt control register (INTCB1R)	CB1RIC		√	√		47H
FFFF158H	Interrupt control register (INTCB1T)	CB1TIC		√	√		47H
FFFF15AH	Interrupt control register (INTCB2R)	CB2RIC		√	√		47H
FFFF15CH	Interrupt control register (INTCB2T)	CB2TIC		√	√		47H
FFFF15EH	Interrupt control register (INTCB3R)	CB3RIC		√	√		47H
FFFF160H	Interrupt control register (INTCB3T)	CB3TIC		√	√		47H
FFFF162H	Interrupt control register (INTUA0R/INTCB4R)	UA0RIC/CB4RIC		√	√		47H
FFFF164H	Interrupt control register (INTUA0T/INTCB4T)	UA0TIC/CB4TIC		√	√		47H
FFFF166H	Interrupt control register (INTUA1R/INTIIC2)	UA1RIC/IIC2		√	√		47H
FFFF168H	Interrupt control register (INTUA1T)	UA1TIC		√	√		47H
FFFF16AH	Interrupt control register (INTUA2R/INTIIC0)	UA2RIC/IIC0		√	√		47H
FFFF16CH	Interrupt control register (INTUA2T)	UA2TIC		√	√		47H
FFFF16EH	Interrupt control register (INTAD)	ADIC		√	√		47H
FFFF170H	Interrupt control register (INTDMA0)	DMAIC0		√	√		47H
FFFF172H	Interrupt control register (INTDMA1)	DMAIC1		√	√		47H
FFFF174H	Interrupt control register (INTDMA2)	DMAIC2		√	√		47H
FFFF176H	Interrupt control register (INTDMA3)	DMAIC3		√	√		47H
FFFF178H	Interrupt control register (INTKR)	KRIC	√	√		47H	
FFFF17AH	Interrupt control register (INTWTI/INTRTC2)	WTIIC/RTC2IC	√	√		47H	
FFFF17CH	Interrupt control register (INTWT/INTRTC0)	WTIC/RTC0IC	√	√		47H	
FFFF17EH	Interrupt control register (INTRTC1)	RTC1C	√	√		47H	
FFFF180H	Interrupt control register (INTUA3R)	UA3RIC	√	√		47H	
FFFF182H	Interrupt control register (INTUA3T)	UA3TI	√	√		47H	
FFFF184H	Interrupt control register (INTUA4R)	UA4RIC	√	√		47H	
FFFF186H	Interrupt control register (INTUA4T)	UA4TIC	√	√		47H	
FFFF188H	Interrupt control register (INTUC0R)	UC0RIC	√	√		47H	
FFFF18AH	Interrupt control register (INTUC0T)	UC0TIC	√	√		47H	
FFFF1FAH	In-service priority register	ISPR	R	√	√	00H	
FFFF1FCH	Command register	PRCMD	W		√	Undefined	
FFFF1FEH	Power save control register	PSC ^{Note}	R/W	√	√	00H	

Note This is a special register.

(4/11)

Address	Function Register Name	Symbol	R/W	Manipulatable Bits			Default Value
				1	8	16	
FFFFF200H	A/D converter mode register 0	ADA0M0	R/W	√	√		00H
FFFFF201H	A/D converter mode register 1	ADA0M1		√	√		00H
FFFFF202H	A/D converter channel specification register	ADA0S		√	√		00H
FFFFF203H	A/D converter mode register 2	ADA0M2		√	√		00H
FFFFF204H	Power-fail compare mode register	ADA0PFM		√	√		00H
FFFFF205H	Power-fail compare threshold value register	ADA0PFT		√	√		00H
FFFFF210H	A/D conversion result register 0	ADA0CR0	R			√	Undefined
FFFFF211H	A/D conversion result register 0H	ADA0CR0H			√		Undefined
FFFFF212H	A/D conversion result register 1	ADA0CR1				√	Undefined
FFFFF213H	A/D conversion result register 1H	ADA0CR1H			√		Undefined
FFFFF214H	A/D conversion result register 2	ADA0CR2				√	Undefined
FFFFF215H	A/D conversion result register 2H	ADA0CR2H			√		Undefined
FFFFF216H	A/D conversion result register 3	ADA0CR3				√	Undefined
FFFFF217H	A/D conversion result register 3H	ADA0CR3H			√		Undefined
FFFFF218H	A/D conversion result register 4	ADA0CR4				√	Undefined
FFFFF219H	A/D conversion result register 4H	ADA0CR4H			√		Undefined
FFFFF21AH	A/D conversion result register 5	ADA0CR5				√	Undefined
FFFFF21BH	A/D conversion result register 5H	ADA0CR5H			√		Undefined
FFFFF21CH	A/D conversion result register 6	ADA0CR6				√	Undefined
FFFFF21DH	A/D conversion result register 6H	ADA0CR6H			√		Undefined
FFFFF21EH	A/D conversion result register 7	ADA0CR7				√	Undefined
FFFFF21FH	A/D conversion result register 7H	ADA0CR7H			√		Undefined
FFFFF220H	A/D conversion result register 8	ADA0CR8				√	Undefined
FFFFF221H	A/D conversion result register 8H	ADA0CR8H			√		Undefined
FFFFF222H	A/D conversion result register 9	ADA0CR9				√	Undefined
FFFFF223H	A/D conversion result register 9H	ADA0CR9H			√		Undefined
FFFFF224H	A/D conversion result register 10	ADA0CR10			√	Undefined	
FFFFF225H	A/D conversion result register 10H	ADA0CR10H		√		Undefined	
FFFFF226H	A/D conversion result register 11	ADA0CR11			√	Undefined	
FFFFF227H	A/D conversion result register 11H	ADA0CR11H		√		Undefined	
FFFFF280H	D/A conversion value setting register 0	DA0CS0	R/W		√		00H
FFFFF281H	D/A conversion value setting register 1	DA0CS1			√		00H
FFFFF282H	D/A converter mode register	DA0M		√	√		00H
FFFFF300H	Key return mode register	KRM		√	√		00H
FFFFF308H	Selector operation control register 0	SELCNT0		√	√		00H
FFFFF310H	CRC input register	CRCIN			√		00H
FFFFF312H	CRC data register	CRCD				√	0000H
FFFFF318H	Noise elimination control register	NFC			√		00H
FFFFF320H	Prescaler mode register 1	PRSM1		√	√		00H
FFFFF321H	Prescaler compare register 1	PRSCM1			√		00H
FFFFF324H	Prescaler mode register 2	PRSM2		√	√		00H
FFFFF325H	Prescaler compare register 2	PRSCM2			√		00H
FFFFF328H	Prescaler mode register 3	PRSM3		√	√		00H
FFFFF329H	Prescaler compare register 3	PRSCM3			√		00H

(5/11)

Address	Function Register Name	Symbol	R/W	Manipulatable Bits			Default Value
				1	8	16	
FFFFF331H	Regulator protection register	REGPR	R/W		√		00H
FFFFF332H	Regulator output voltage level control register	REGOVL0			√		00H
FFFFF340H	IIC division clock select register	OCKS0			√		00H
FFFFF344H	IIC division clock select register	OCKS1			√		00H
FFFFF348H	Clock select register	OCKS2			√		00H
FFFFF380H	Clock through select register	CKTHSEL		√	√		00H
FFFFF400H	Port 0 register	P0		√	√		00H ^{Note}
FFFFF402H	Port 1 register	P1		√	√		00H ^{Note}
FFFFF406H	Port 3 register	P3				√	0000H ^{Note}
FFFFF406H	Port 3 register L	P3L		√	√		00H ^{Note}
FFFFF407H	Port 3 register H	P3H		√	√		00H ^{Note}
FFFFF408H	Port 4 register	P4		√	√		00H ^{Note}
FFFFF40AH	Port 5 register	P5		√	√		00H ^{Note}
FFFFF40EH	Port 7 register L	P7L		√	√		00H ^{Note}
FFFFF40FH	Port 7 register H	P7H		√	√		00H ^{Note}
FFFFF412H	Port 9 register	P9				√	0000H ^{Note}
FFFFF412H	Port 9 register L	P9L		√	√		00H ^{Note}
FFFFF413H	Port 9 register H	P9H		√	√		00H ^{Note}
FFFFF420H	Port 0 mode register	PM0		√	√		FFH
FFFFF422H	Port 1 mode register	PM1		√	√		FFH
FFFFF426H	Port 3 mode register	PM3				√	FFFFH
FFFFF426H	Port 3 mode register L	PM3L		√	√		FFH
FFFFF427H	Port 3 mode register H	PM3H		√	√		FFH
FFFFF428H	Port 4 mode register	PM4		√	√		FFH
FFFFF42AH	Port 5 mode register	PM5		√	√		FFH
FFFFF42EH	Port 7 mode register L	PM7L		√	√		FFH
FFFFF42FH	Port 7 mode register H	PM7H		√	√		FFH
FFFFF432H	Port 9 mode register	PM9				√	FFFFH
FFFFF432H	Port 9 mode register L	PM9L		√	√		FFH
FFFFF433H	Port 9 mode register H	PM9H		√	√		FFH
FFFFF440H	Port 0 mode control register	PMC0		√	√		00H
FFFFF446H	Port 3 mode control register	PMC3				√	0000H
FFFFF446H	Port 3 mode control register L	PMC3L		√	√		00H
FFFFF447H	Port 3 mode control register H	PMC3H	√	√		00H	
FFFFF448H	Port 4 mode control register	PMC4	√	√		00H	
FFFFF44AH	Port 5 mode control register	PMC5	√	√		00H	
FFFFF452H	Port 9 mode control register	PMC9			√	0000H	
FFFFF452H	Port 9 mode control register L	PMC9L	√	√		00H	
FFFFF453H	Port 9 mode control register H	PMC9H	√	√		00H	
FFFFF460H	Port 0 function control register	PFC0	√	√		00H	
FFFFF466H	Port 3 function control register	PFC3			√	0000H	
FFFFF466H	Port 3 function control register L	PFC3L	√	√		00H	
FFFFF467H	Port 3 function control register H	PFC3H	√	√		00H	

Note The output latch is 00H or 0000H. When these registers are input, the pin statuses are read.

(6/11)

Address	Function Register Name	Symbol	R/W	Manipulatable Bits			Default Value
				1	8	16	
FFFFF468H	Port 4 function control register	PFC4	R/W	√	√		00H
FFFFF46AH	Port 5 function control register	PFC5		√	√		00H
FFFFF472H	Port 9 function control register	PFC9				√	0000H
FFFFF472H	Port 9 function control register L	PFC9L		√	√		00H
FFFFF473H	Port 9 function control register H	PFC9H		√	√		00H
FFFFF484H	Data wait control register 0	DWC0				√	7777H
FFFFF488H	Address wait control register	AWC				√	FFFFH
FFFFF48AH	Bus cycle control register	BCC				√	AAAAH
FFFFF540H	TMQ0 control register 0	TQ0CTL0		√	√		00H
FFFFF541H	TMQ0 control register 1	TQ0CTL1		√	√		00H
FFFFF542H	TMQ0 I/O control register 0	TQ0IOC0		√	√		00H
FFFFF543H	TMQ0 I/O control register 1	TQ0IOC1		√	√		00H
FFFFF544H	TMQ0 I/O control register 2	TQ0IOC2		√	√		00H
FFFFF545H	TMQ0 option register 0	TQ0OPT0		√	√		00H
FFFFF546H	TMQ0 capture/compare register 0	TQ0CCR0				√	0000H
FFFFF548H	TMQ0 capture/compare register 1	TQ0CCR1				√	0000H
FFFFF54AH	TMQ0 capture/compare register 2	TQ0CCR2				√	0000H
FFFFF54CH	TMQ0 capture/compare register 3	TQ0CCR3				√	0000H
FFFFF54EH	TMQ0 counter read buffer register	TQ0CNT		R		√	0000H
FFFFF590H	TMP0 control register 0	TP0CTL0	R/W	√	√		00H
FFFFF591H	TMP0 control register 1	TP0CTL1		√	√		00H
FFFFF592H	TMP0 I/O control register 0	TP0IOC0		√	√		00H
FFFFF593H	TMP0 I/O control register 1	TP0IOC1		√	√		00H
FFFFF594H	TMP0 I/O control register 2	TP0IOC2		√	√		00H
FFFFF595H	TMP0 option register 0	TP0OPT0		√	√		00H
FFFFF596H	TMP0 capture/compare register 0	TP0CCR0				√	0000H
FFFFF598H	TMP0 capture/compare register 1	TP0CCR1				√	0000H
FFFFF59AH	TMP0 counter read buffer register	TP0CNT		R		√	0000H
FFFFF5A0H	TMP1 control register 0	TP1CTL0		R/W	√	√	
FFFFF5A6H	TMP1 capture/compare register 0	TP1CCR0				√	0000H
FFFFF5A8H	TMP1 capture/compare register 1	TP1CCR1				√	0000H
FFFFF5AAH	TMP1 counter read buffer register	TP1CNT	R		√	0000H	
FFFFF5B0H	TMP2 control register 0	TP2CTL0	R/W	√	√		00H
FFFFF5B1H	TMP2 control register 1	TP2CTL1		√	√		00H
FFFFF5B2H	TMP2 I/O control register 0	TP2IOC0		√	√		00H
FFFFF5B3H	TMP2 I/O control register 1	TP2IOC1		√	√		00H
FFFFF5B4H	TMP2 I/O control register 2	TP2IOC2		√	√		00H
FFFFF5B5H	TMP2 option register 0	TP2OPT0		√	√		00H
FFFFF5B6H	TMP2 capture/compare register 0	TP2CCR0				√	0000H

(7/11)

Address	Function Register Name	Symbol	R/W	Manipulatable Bits			Default Value
				1	8	16	
FFFFF5B8H	TMP2 capture/compare register 1	TP2CCR1	R/W			√	0000H
FFFFF5BAH	TMP2 counter read buffer register	TP2CNT	R			√	0000H
FFFFF5C0H	TMP3 control register 0	TP3CTL0	R/W	√	√		00H
FFFFF5C1H	TMP3 control register 1	TP3CTL1		√	√		00H
FFFFF5C2H	TMP3 I/O control register 0	TP3IOC0		√	√		00H
FFFFF5C3H	TMP3 I/O control register 1	TP3IOC1		√	√		00H
FFFFF5C4H	TMP3 I/O control register 2	TP3IOC2		√	√		00H
FFFFF5C5H	TMP3 option register 0	TP3OPT0		√	√		00H
FFFFF5C6H	TMP3 capture/compare register 0	TP3CCR0				√	0000H
FFFFF5C8H	TMP3 capture/compare register 1	TP3CCR1				√	0000H
FFFFF5CAH	TMP3 counter read buffer register	TP3CNT	R			√	0000H
FFFFF5D0H	TMP4 control register 0	TP4CTL0	R/W	√	√		00H
FFFFF5D1H	TMP4 control register 1	TP4CTL1		√	√		00H
FFFFF5D2H	TMP4 I/O control register 0	TP4IOC0		√	√		00H
FFFFF5D3H	TMP4 I/O control register 1	TP4IOC1		√	√		00H
FFFFF5D4H	TMP4 I/O control register 2	TP4IOC2		√	√		00H
FFFFF5D5H	TMP4 option register 0	TP4OPT0		√	√		00H
FFFFF5D6H	TMP4 capture/compare register 0	TP4CCR0				√	0000H
FFFFF5D8H	TMP4 capture/compare register 1	TP4CCR1				√	0000H
FFFFF5DAH	TMP4 counter read buffer register	TP4CNT	R			√	0000H
FFFFF5E0H	TMP5 control register 0	TP5CTL0	R/W	√	√		00H
FFFFF5E1H	TMP5 control register 1	TP5CTL1		√	√		00H
FFFFF5E2H	TMP5 I/O control register 0	TP5IOC0		√	√		00H
FFFFF5E3H	TMP5 I/O control register 1	TP5IOC1		√	√		00H
FFFFF5E4H	TMP5 I/O control register 2	TP5IOC2		√	√		00H
FFFFF5E5H	TMP5 option register 0	TP5OPT0		√	√		00H
FFFFF5E6H	TMP5 capture/compare register 0	TP5CCR0				√	0000H
FFFFF5E8H	TMP5 capture/compare register 1	TP5CCR1				√	0000H
FFFFF5EAH	TMP5 counter read buffer register	TP5CNT	R			√	0000H
FFFFF680H	Watch timer operation mode register	WTM	R/W	√	√		00H
FFFFF690H	TMM0 control register 0	TM0CTL0		√	√		00H
FFFFF694H	TMM0 compare register 0	TM0CMP0				√	0000H
FFFFF6C0H	Oscillation stabilization time select register	OSTS			√		06H
FFFFF6C1H	PLL lockup time specification register	PLLS			√		03H
FFFFF6D0H	Watchdog timer mode register 2	WDTM2			√		67H
FFFFF6D1H	Watchdog timer enable register	WDTE			√		9AH
FFFFF6E0H	Real-time output buffer register 0L	RTBLO		√	√		00H
FFFFF6E2H	Real-time output buffer register 0H	RTBH0		√	√		00H
FFFFF6E4H	Real-time output port mode register 0	RTPM0		√	√		00H
FFFFF6E5H	Real-time output port control register 0	RTPC0		√	√		00H
FFFFF700H	Port 0 function control expansion register	PFCE0		√	√		00H
FFFFF706H	Port 3 function control expansion register L	PFCE3L		√	√		00H
FFFFF70AH	Port 5 function control expansion register	PFCE5		√	√		00H

(8/11)

Address	Function Register Name	Symbol	R/W	Manipulatable Bits			Default Value
				1	8	16	
FFFFF712H	Port 9 function control expansion register	PFCE9	R/W			√	0000H
FFFFF712H	Port 9 function control expansion register L	PFCE9L		√	√		00H
FFFFF713H	Port 9 function control expansion register H	PFCE9H		√	√		00H
FFFFF802H	System status register	SYS		√	√		00H
FFFFF80CH	Internal oscillation mode register	RCM		√	√		00H
FFFFF810H	DMA trigger factor register 0	DTFR0		√	√		00H
FFFFF812H	DMA trigger factor register 1	DTFR1		√	√		00H
FFFFF814H	DMA trigger factor register 2	DTFR2		√	√		00H
FFFFF816H	DMA trigger factor register 3	DTFR3		√	√		00H
FFFFF820H	Power save mode register	PSMR		√	√		00H
FFFFF822H	Clock control register	CKC		√	√		0AH
FFFFF824H	Lock register	LOCKR	R	√	√		00H
FFFFF828H	Processor clock control register	PCC ^{Note}	R/W	√	√		03H
FFFFF82CH	PLL control register	PLLCTL		√	√		01H
FFFFF82EH	CPU operation clock status register	CCLS	R	√	√		00H
FFFFF870H	Clock monitor mode register	CLM	R/W	√	√		00H
FFFFF888H	Reset source flag register	RESF		√	√		00H
FFFFF890H	Low-voltage detection register	LVIM		√	√		00H
FFFFF891H	Low-voltage detection level select register	LVIS			√		00H
FFFFF8B0H	Prescaler mode register 0	PRSM0		√	√		00H
FFFFF8B1H	Prescaler compare register 0	PRSCM0			√		00H
FFFFF9FCH	On-chip debug mode register	OCDM ^{Note}		√	√		01H
FFFFFA00H	UARTA0 control register 0	UA0CTL0		√	√		10H
FFFFFA01H	UARTA0 control register 1	UA0CTL1			√		00H
FFFFFA02H	UARTA0 control register 2	UA0CTL2			√		FFH
FFFFFA03H	UARTA0 option control register 0	UA0OPT0		√	√		14H
FFFFFA04H	UARTA0 status register	UA0STR		√	√		00H
FFFFFA06H	UARTA0 receive data register	UA0RX	R		√		FFH
FFFFFA07H	UARTA0 transmit data register	UA0TX	R/W		√		FFH
FFFFFA10H	UARTA1 control register 0	UA1CTL0		√	√		10H
FFFFFA11H	UARTA1 control register 1	UA1CTL1			√		00H
FFFFFA12H	UARTA1 control register 2	UA1CTL2			√		FFH
FFFFFA13H	UARTA1 option control register 0	UA1OPT0		√	√		14H
FFFFFA14H	UARTA1 status register	UA1STR		√	√		00H
FFFFFA16H	UARTA1 receive data register	UA1RX	R		√		FFH
FFFFFA17H	UARTA1 transmit data register	UA1TX	R/W		√		FFH
FFFFFA20H	UARTA2 control register 0	UA2CTL0		√	√		10H
FFFFFA21H	UARTA2 control register 1	UA2CTL1			√		00H
FFFFFA22H	UARTA2 control register 2	UA2CTL2			√		FFH
FFFFFA23H	UARTA2 option control register 0	UA2OPT0		√	√		14H
FFFFFA24H	UARTA2 status register	UA2STR		√	√		00H
FFFFFA26H	UARTA2 receive data register	UA2RX	R		√		FFH
FFFFFA27H	UARTA2 transmit data register	UA2TX	R/W		√		FFH

Note This is a special register.

(9/11)

Address	Function Register Name	Symbol	R/W	Manipulatable Bits			Default Value
				1	8	16	
FFFFFFA30H	UARTA3 control register 0	UA3CTL0	R/W	√	√		10H
FFFFFFA31H	UARTA3 control register 1	UA3CTL1			√		00H
FFFFFFA32H	UARTA3 control register 2	UA3CTL2			√		FFH
FFFFFFA33H	UARTA3 option control register 0	UA3OPT0		√	√		14H
FFFFFFA34H	UARTA3 status register	UA3STR		√	√		00H
FFFFFFA36H	UARTA3 receive data register	UA3RX	R		√		FFH
FFFFFFA37H	UARTA3 transmit data register	UA3TX	R/W		√		FFH
FFFFFFA40H	UARTA4 control register 0	UA4CTL0		√	√		10H
FFFFFFA41H	UARTA4 control register 1	UA4CTL1			√		00H
FFFFFFA42H	UARTA4 control register 2	UA4CTL2			√		FFH
FFFFFFA43H	UARTA4 option control register 0	UA4OPT0		√	√		14H
FFFFFFA44H	UARTA4 status register	UA4STR		√	√		00H
FFFFFFA46H	UARTA4 receive data register	UA4RX	R		√		FFH
FFFFFFA47H	UARTA4 transmit data register	UA4TX	R/W		√		FFH
FFFFFFA50H	UARTA5 control register 0	UA5CTL0		√	√		10H
FFFFFFA51H	UARTA5 control register 1	UA5CTL1			√		00H
FFFFFFA52H	UARTA5 control register 2	UA5CTL2			√		FFH
FFFFFFA53H	UARTA5 option control register 0	UA5OPT0		√	√		14H
FFFFFFA54H	UARTA5 status register	UA5STR		√	√		00H
FFFFFFA56H	UARTA5 receive data register	UA5RX	R		√		FFH
FFFFFFA57H	UARTA5 transmit data register	UA5TX	R/W		√		FFH
FFFFFFA0H	UARTC0 control register 0	UC0CTL0		√	√		10H
FFFFFFA1H	UARTC0 control register 1	UC0CTL1			√		00H
FFFFFFA2H	UARTC0 control register 2	UC0CTL2			√		FFH
FFFFFFA3H	UARTC0 option control register 0	UC0OPT0		√	√		14H
FFFFFFA4H	UARTC0 status register	UC0STR		√	√		00H
FFFFFFA6H	UARTC0 receive data register	UC0RX	R			√	01FFH
FFFFFFA6H	UARTC0 receive data register L	UC0RXL			√		FFH
FFFFFFA8H	UARTC0 transmit data register	UC0TX	R/W			√	01FFH
FFFFFFA8H	UARTC0 transmit data register L	UC0TXL			√		FFH
FFFFFFAAH	UARTC0 option control register 1	UC0OPT1		√	√		00H
FFFFFFAD0H	Sub-count register	RC1SUBC	R			√	0000H
FFFFFFAD2H	Second count register	RC1SEC	R/W		√		00H
FFFFFFAD3H	Minute count register	RC1MIN			√		00H
FFFFFFAD4H	Hour count register	RC1HOUR			√		12H
FFFFFFAD5H	Week count register	RC1WEEK			√		00H
FFFFFFAD6H	Day count register	RC1DAY			√		01H
FFFFFFAD7H	Month count register	RC1MONTH			√		01H
FFFFFFAD8H	Year count register	RC1YEAR			√		00H
FFFFFFAD9H	Time error correction register	RC1SUBU			√		00H
FFFFFFADAH	Alarm minute set register	RC1ALM			√		00H
FFFFFFADBH	Alarm time set register	RC1ALH			√		12H
FFFFFFADCH	Alarm week set register	RC1ALW		√	√		00H

(10/11)

Address	Function Register Name	Symbol	R/W	Manipulatable Bits			Default Value
				1	8	16	
FFFFFADDH	RTC control register 0	RC1CC0	R/W	√	√		00H
FFFFFADEH	RTC control register 1	RC1CC1		√	√		00H
FFFFFADFH	RTC control register 2	RC1CC2		√	√		00H
FFFFFAE0H	RTC control register 3	RC1CC3		√	√		00H
FFFFFB00H	RTC backup control register 0	RTCBUMCTLO ^{Note}		√	√		00H
FFFFFB03H	Subclock low-power operation control register	SOSCAMCTL ^{Note}		√	√		00H
FFFFFC00H	External interrupt falling edge specification register 0	INTF0		√	√		00H
FFFFFC06H	External interrupt falling edge specification register 3	INTF3		√	√		00H
FFFFFC13H	External interrupt falling edge specification register 9H	INTF9H		√	√		00H
FFFFFC20H	External interrupt rising edge specification register 0	INTR0		√	√		00H
FFFFFC26H	External interrupt rising edge specification register 3	INTR3		√	√		00H
FFFFFC33H	External interrupt rising edge specification register 9H	INTR9H		√	√		00H
FFFFFC60H	Port 0 function register	PF0		√	√		00H
FFFFFC66H	Port 3 function register	PF3				√	0000H
FFFFFC66H	Port 3 function register L	PF3L		√	√		00H
FFFFFC67H	Port 3 function register H	PF3H		√	√		00H
FFFFFC68H	Port 4 function register	PF4		√	√		00H
FFFFFC6AH	Port 5 function register	PF5		√	√		00H
FFFFFC72H	Port 9 function register	PF9				√	0000H
FFFFFC72H	Port 9 function register L	PF9L		√	√		00H
FFFFFC73H	Port 9 function register H	PF9H		√	√		00H
FFFFFD00H	CSIB0 control register 0	CB0CTL0		√	√		01H
FFFFFD01H	CSIB0 control register 1	CB0CTL1		√	√		00H
FFFFFD02H	CSIB0 control register 2	CB0CTL2			√		00H
FFFFFD03H	CSIB0 status register	CB0STR		√	√		00H
FFFFFD04H	CSIB0 receive data register	CB0RX		R		√	0000H
FFFFFD04H	CSIB0 receive data register L	CB0RXL			√		00H
FFFFFD06H	CSIB0 transmit data register	CB0TX	R/W		√	0000H	
FFFFFD06H	CSIB0 transmit data register L	CB0TXL			√		00H
FFFFFD10H	CSIB1 control register 0	CB1CTL0	√	√		01H	
FFFFFD11H	CSIB1 control register 1	CB1CTL1	√	√		00H	
FFFFFD12H	CSIB1 control register 2	CB1CTL2		√		00H	
FFFFFD13H	CSIB1 status register	CB1STR	√	√		00H	
FFFFFD14H	CSIB1 receive data register	CB1RX	R		√	0000H	
FFFFFD14H	CSIB1 receive data register L	CB1RXL			√		00H
FFFFFD16H	CSIB1 transmit data register	CB1TX	R/W		√	0000H	
FFFFFD16H	CSIB1 transmit data register L	CB1TXL			√		00H
FFFFFD20H	CSIB2 control register 0	CB2CTL0	√	√		01H	
FFFFFD21H	CSIB2 control register 1	CB2CTL1	√	√		00H	
FFFFFD22H	CSIB2 control register 2	CB2CTL2		√		00H	
FFFFFD23H	CSIB2 status register	CB2STR	√	√		00H	
FFFFFD24H	CSIB2 receive data register	CB2RX	R		√	0000H	
FFFFFD24H	CSIB2 receive data register L	CB2RXL			√		00H

Note This is a special register.

(11/11)

Address	Function Register Name	Symbol	R/W	Manipulatable Bits			Default Value	
				1	8	16		
FFFFFD26H	CSIB2 transmit data register	CB2TX	R/W			√	0000H	
FFFFFD26H	CSIB2 transmit data register L	CB2TXL			√		00H	
FFFFFD30H	CSIB3 control register 0	CB3CTL0		√	√		01H	
FFFFFD31H	CSIB3 control register 1	CB3CTL1		√	√		00H	
FFFFFD32H	CSIB3 control register 2	CB3CTL2			√		00H	
FFFFFD33H	CSIB3 status register	CB3STR		√	√		00H	
FFFFFD34H	CSIB3 receive data register	CB3RX	R			√	0000H	
FFFFFD34H	CSIB3 receive data register L	CB3RXL			√		00H	
FFFFFD36H	CSIB3 transmit data register	CB3TX	R/W			√	0000H	
FFFFFD36H	CSIB3 transmit data register L	CB3TXL			√		00H	
FFFFFD40H	CSIB4 control register 0	CB4CTL0		√	√		01H	
FFFFFD41H	CSIB4 control register 1	CB4CTL1	R/W	√	√		00H	
FFFFFD42H	CSIB4 control register 2	CB4CTL2			√		00H	
FFFFFD43H	CSIB4 status register	CB4STR		√	√		00H	
FFFFFD44H	CSIB4 receive data register	CB4RX	R			√	0000H	
FFFFFD44H	CSIB4 receive data register L	CB4RXL			√		00H	
FFFFFD46H	CSIB4 transmit data register	CB4TX	R/W			√	0000H	
FFFFFD46H	CSIB4 transmit data register L	CB4TXL			√		00H	
FFFFFD80H	IIC shift register 0	IIC0			√		00H	
FFFFFD82H	IIC control register 0	IICC0		√	√		00H	
FFFFFD83H	Slave address register 0	SVA0			√		00H	
FFFFFD84H	IIC clock select register 0	IICCL0		√	√		00H	
FFFFFD85H	IIC function expansion register 0	IICX0		√	√		00H	
FFFFFD86H	IIC status register 0	IICS0	R	√	√		00H	
FFFFFD8AH	IIC flag register 0	IICF0	R/W	√	√		00H	
FFFFFD90H	IIC shift register 1	IIC1				√		00H
FFFFFD92H	IIC control register 1	IICC1		√	√		00H	
FFFFFD93H	Slave address register 1	SVA1				√		00H
FFFFFD94H	IIC clock select register 1	IICCL1		√	√		00H	
FFFFFD95H	IIC function expansion register 1	IICX1		√	√		00H	
FFFFFD96H	IIC status register 1	IICS1	R	√	√		00H	
FFFFFD9AH	IIC flag register 1	IICF1	R/W	√	√		00H	
FFFFFDA0H	IIC shift register 2	IIC2				√		00H
FFFFFDA2H	IIC control register 2	IICC2		√	√		00H	
FFFFFDA3H	Slave address register 2	SVA2				√		00H
FFFFFDA4H	IIC clock select register 2	IICCL2		√	√		00H	
FFFFFDA5H	IIC function expansion register 2	IICX2		√	√		00H	
FFFFFDA6H	IIC status register 2	IICS2	R	√	√		00H	
FFFFDAAH	IIC flag register 2	IICF2	R/W	√	√		00H	
FFFFF40H	USB clock control register	UCKSEL		√	√		00H	
FFFFF41H	USB function control register	UFCKMSK		√	√		03H	

3.4.7 Special registers

Special registers are registers that are protected from being written with illegal data due to a program hang-up. The V850ES/JG3-L has the following nine special registers.

- Power save control register (PSC)
- Clock control register (CKC)
- Processor clock control register (PCC)
- Clock monitor mode register (CLM)
- Reset source flag register (RESF)
- Low-voltage detection register (LVIM)
- On-chip debug mode register (OCDM)
- RTC backup control register 0 (RTCBUMCTL0)
- Subclock low-power operation control register 0 (SOSCAMCTL)

In addition, the PRCDM register is provided to protect against a write access to the special registers so that the application system does not inadvertently stop due to a program hang-up. A write access to the special registers is made in a specific sequence, and an illegal store operation is reported to the SYS register.

(1) Setting data to special registers

Set data to the special registers in the following sequence.

- <1> Disable DMA operation.
- <2> Prepare data to be set to the special register in a general-purpose register.
- <3> Write the data prepared in <2> to the PRCMD register.
- <4> Write the setting data to the special register (by using the following instructions).
 - Store instruction (ST/SST instruction)
 - Bit manipulation instruction (SET1/CLR1/NOT1 instruction)
- (<5> to <9> Insert NOP instructions (5 instructions).)^{Note}
- <10> Enable DMA operation if necessary.

Note When switching to the IDLE mode or the STOP mode (PSC.STP bit = 1), 5 NOP instructions must be inserted immediately after switching is performed.

Caution To resume the DMA operation in the status before the DMA operation was disabled after a special sequence, the DCHCn register status must be stored before the DMA operation is disabled. After the DCHCn register status is stored, the DCHCn.TCn bit must be checked before the DMA operation is resumed and the following processing must be executed according to the TCn bit status, because completion of DMA transfer may occur before the DMA operation is disabled.

- When the TCn bit is 0 (DMA transfer not completed), the contents of the DCHCn register stored before the DMA operation was disabled are written to the DCHCn register again.
- When the TCn bit is 1 (DMA transfer completed), DMA transfer completion processing is executed.

Remark n = 0 to 3

[Example] PSC register (setting standby mode)

```

    ST.B r11, PSMR[r0] ; Set PSMR register (setting IDLE1, IDLE2, and STOP modes).
<1>CLR1 0, DCHCn[r0] ; Disable DMA operation. n = 0 to 3
<2>MOV0x02, r10
<3>ST.B r10, PRCMD[r0] ; Write PRCMD register.
<4>ST.B r10, PSC[r0] ; Set PSC register.
<5>NOPNote ; Dummy instruction
<6>NOPNote ; Dummy instruction
<7>NOPNote ; Dummy instruction
<8>NOPNote ; Dummy instruction
<9>NOPNote ; Dummy instruction
<10>SET1 0, DCHCn[r0] ; Enable DMA operation. n = 0 to 3
(next instruction)

```

There is no special sequence required to read a special register.

Note Five NOP instructions or more must be inserted immediately after setting the IDLE1 mode, IDLE2 mode, or STOP mode (by setting the PSC.STP bit to 1).

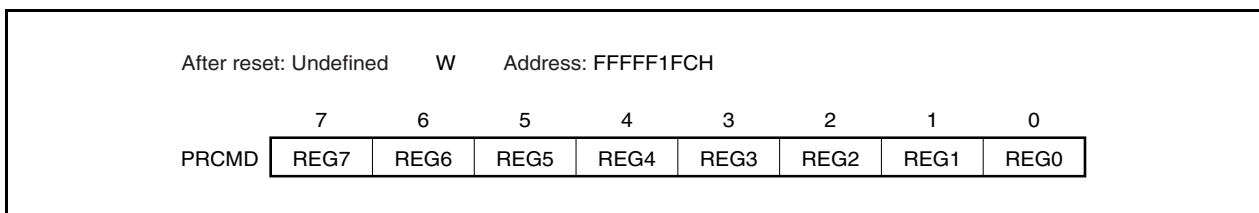
Caution When a store instruction is executed to store data in the command register, interrupts are not acknowledged. This is because it is assumed that steps <3> and <4> above are performed by successive store instructions. If another instruction is placed between <3> and <4>, and if an interrupt is acknowledged by that instruction, the above sequence may not be established, causing malfunction.

Remark Although dummy data is written to the PRCMD register, use the same general-purpose register used to set the special register (<4> in the example) to write data to the PRCMD register (<3> in the example). The same applies when a general-purpose register is used for addressing.

(2) Command register (PRCMD)

The PRCMD register is an 8-bit register that protects the registers that may seriously affect the application system from being written, so that the system does not inadvertently stop due to a program hang-up. The first write access to a special register is valid after data has been written in advance to the PRCMD register. In this way, the value of the special register can be rewritten only in a specific sequence, so as to protect the register from an illegal write access.

The PRCMD register is write-only, in 8-bit units (undefined data is read when this register is read).



(3) System status register (SYS)

Status flags that indicate the operation status of the overall system are allocated to this register.

This register can be read or written in 8-bit or 1-bit units.

Reset sets this register to 00H.

After reset: 00H	R/W	Address: FFFFF802H							
		7	6	5	4	3	2	1	<0>
SYS		0	0	0	0	0	0	0	PRERR
	PRERR	Detects protection error							
	0	Protection error did not occur.							
	1	Protection error occurred.							

The PRERR flag operates under the following conditions.

(a) Set condition (PRERR flag = 1)

- (i) When data is written to a special register without writing anything to the PRCMD register (when <4> is executed without executing <3> in **3.4.7 (1) Setting data to special registers**)
- (ii) When data is written to an on-chip peripheral I/O register other than a special register (including execution of a bit manipulation instruction) after writing data to the PRCMD register (if <4> in **3.4.7 (1) Setting data to special registers** is not the setting of a special register)

Remark Even if an on-chip peripheral I/O register is read (except by a bit manipulation instruction) or the internal RAM is accessed between an operation to write the PRCMD register and an operation to write a special register, the PRERR flag is not set, and the set data can be written to the special register.

(b) Clear condition (PRERR flag = 0)

- (i) When 0 is written to the PRERR flag
- (ii) When the system is reset

Cautions 1. If 0 is written to the PRERR bit of the SYS register, which is not a special register, immediately after a write access to the PRCMD register, the PRERR bit is cleared to 0 (the write access takes precedence).

2. If data is written to the PRCMD register, which is not a special register, immediately after a write access to the PRCMD register, the PRERR bit is set to 1.

3.4.8 Registers to be set first

Be sure to set the following registers first when using the V850ES/JG3-L.

- System wait control register (VSWC)
- On-chip debug mode register (OCDM)
- Watchdog timer mode register 2 (WDTM2)

After setting the VSWC, OCDM, and WDTM2 registers, set the other registers as necessary.

When using the external bus, set each pin to the alternate-function bus control pin mode by using the port-related registers after setting the above registers.

(a) System wait control register (VSWC)

The VSWC register controls wait of bus access to the on-chip peripheral I/O registers.

Three clock cycles are required to access an on-chip peripheral I/O register (without a wait cycle). The V850ES/JG3-L requires wait cycles according to the operating frequency. Set the following value to the VSWC register in accordance with the frequency used.

This register can be read or written in 8-bit units.

Reset sets this register to 77H (number of waits: 14).

After reset: 77H R/W Address: FFFFF06EH

VSWC

7	6	5	4	3	2	1	0

Operating Frequency (f _{CLK})	Set Value of VSWC	Number of Waits
32 kHz ≤ f _{CLK} < 16.6 MHz	00H	0 (no waits)
16.6 MHz ≤ f _{CLK} ≤ 20 MHz	01H	1

(b) On-chip debug mode register (OCDM)

For details, see **CHAPTER 32 ON-CHIP DEBUG FUNCTION**.

(c) Watchdog timer mode register 2 (WDTM2)

The WDTM2 register sets the overflow time and the operation clock of watchdog timer 2.

Watchdog timer 2 automatically starts in the reset mode after reset is released. To specify the operation of watchdog timer 2, write to the WDTM2 register after reset is released.

For details, see **CHAPTER 12 WATCHDOG TIMER 2**.

3.4.9 Cautions

(1) Accessing special on-chip peripheral I/O registers

This product has two types of internal system buses.

One is a CPU bus and the other is a peripheral bus that interfaces with low-speed peripheral hardware.

The clock of the CPU bus and the clock of the peripheral bus are asynchronous. If an access to the CPU and an access to the peripheral hardware conflict, therefore, unexpected illegal data may be transferred. If there is a possibility of a conflict, the number of cycles for accessing the CPU changes when the peripheral hardware is accessed, so that correct data is transferred. As a result, the CPU does not start processing of the next instruction but enters the wait status. If this wait status occurs, the number of clocks required to execute an instruction increases by the number of wait clocks shown below.

This must be taken into consideration if real-time processing is required.

When special on-chip peripheral I/O registers are accessed, more wait states may be required in addition to the wait states set by the VSWC register.

The access conditions and how to calculate the number of wait states to be inserted (number of CPU clocks) at this time are shown below.

Table 3-4. Registers That Requires Waits

Peripheral Function	Register Name	Access	k
16-bit timer/event counter P (TMP) (n = 0 to 5)	TPnCNT	Read	1 or 2
	TPnCCR0, TPnCCR1	Write	<ul style="list-style-type: none"> • 1st access: No wait • Continuous write: 3 or 4
		Read	1 or 2
16-bit timer/event counter Q (TMQ)	TQ0CNT	Read	1 or 2
	TQ0CCR0 to TQ0CCR3	Write	<ul style="list-style-type: none"> • 1st access: No wait • Continuous write: 3 or 4
		Read	1 or 2
Watchdog timer 2 (WDT2)	WDTM2	Write (when WDT2 operating)	3
Real-time output function (RTO)	RTBL0, RTBH0	Write (RTPC0.RTPOE0 bit = 0)	1
A/D converter	ADA0M0	Read	1 or 2
	ADA0CR0 to ADA0CR11	Read	1 or 2
	ADA0CR0H to ADA0CR11H	Read	1 or 2
I ² C00 to I ² C02	IICS0 to IICS2	Read	1
CRC	CRCD	Write	1

Number of clocks necessary for access = $3 + i + j + (2 + j) \times k$

Caution Accessing the above registers is prohibited in the following statuses. If a wait cycle is generated, it can only be cleared by a reset.

- When the CPU operates on the subclock and main clock oscillation is stopped
- When the CPU operates on the internal oscillator clock
(However, this only applies immediately after reset ends or if a WDT2 overflow occurs during the oscillation stabilization time.)

Remark i: Value (0) of higher 4 bits of VSWC register
j: Value (0 or 1) of lower 4 bits of VSWC register

(2) Conflict between sld instruction and interrupt request**(a) Description**

If a conflict occurs between the decode operation of an instruction in <2> immediately before the sld instruction following an instruction in <1> and an interrupt request before the instruction in <1> is complete, the execution result of the instruction in <1> may not be stored in a register.

Instruction <1>

- ld instruction: ld.b, ld.h, ld.w, ld.bu, ld.hu
- sld instruction: sld.b, sld.h, sld.w, sld.bu, sld.hu
- Multiplication instruction: mul, mulh, mulhi, mulu

Instruction <2>

mov reg1, reg2	not reg1, reg2	satsubr reg1, reg2	satsub reg1, reg2
satadd reg1, reg2	satadd imm5, reg2	or reg1, reg2	xor reg1, reg2
and reg1, reg2	tst reg1, reg2	subr reg1, reg2	sub reg1, reg2
add reg1, reg2	add imm5, reg2	cmp reg1, reg2	cmp imm5, reg2
mulh reg1, reg2	shr imm5, reg2	sar imm5, reg2	shl imm5, reg2

<Example>

<i> ld.w [r11], r10
 •
 •
 •

If the decode operation of the mov instruction <ii> immediately before the sld instruction <iii> and an interrupt request conflict before execution of the ld instruction <i> is complete, the execution result of instruction <i> may not be stored in a register.

<ii> mov r10, r28
 <iii> sld.w 0x28, r10

(b) Countermeasure

<1> When compiler (CA850) is used

Use CA850 Ver. 2.61 or later because generation of the corresponding instruction sequence can be automatically suppressed.

<2> For assembler

When executing the sld instruction immediately after instruction <ii>, avoid the above operation using either of the following methods.

- Insert a nop instruction immediately before the sld instruction.
- Do not use the same register as the sld instruction destination register in the above instruction <ii> executed immediately before the sld instruction.

CHAPTER 4 PORT FUNCTIONS

4.1 Features

- I/O port pins: 80
 - N-ch open-drain output selectable: 37 (5 V tolerant: 28)
- Input/output specifiable in 1-bit units

4.2 Basic Port Configuration

The V850ES/JG3-L features a total of 80 I/O port pins organized as ports 0, 1, 3 to 5, 7, 9, CM, CT, DH, and DL. The port configuration is shown below.

Figure 4-1. Port Configuration

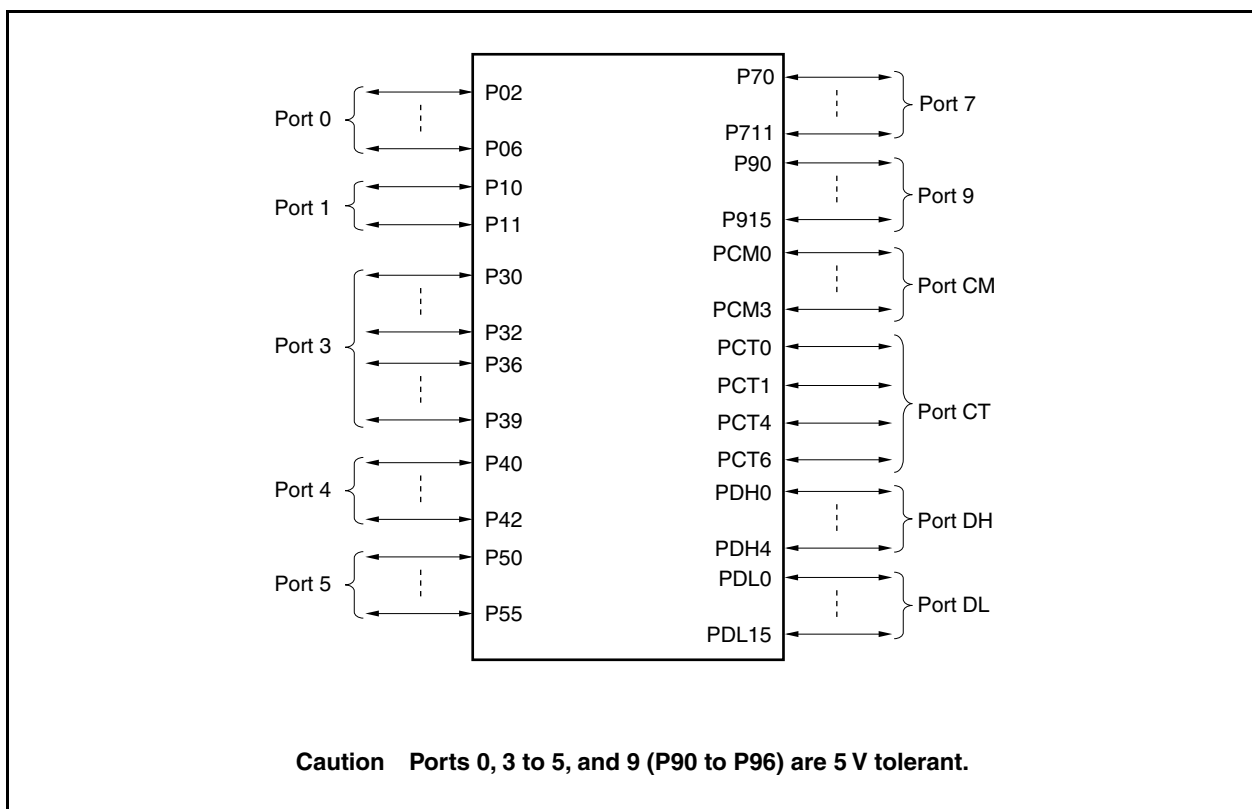


Table 4-1. I/O Buffer Power Supplies for Pins

Power Supply	Corresponding Pins
AV _{REF0}	Port 7
AV _{REF1}	Port 1
EV _{DD}	RESET, ports 0, 3 to 5, 9, CM, CT, DH, DL

4.3 Port Configuration

The ports consist of the following hardware.

Table 4-2. Port Configuration

Item	Configuration
Control registers	Port n mode register (PMn: n = 0, 1, 3 to 5, 7, 9, CD, CM, CT, DH, DL) Port n mode control register (PMcn: n = 0, 3 to 5, 9, CM, CT, DH, DL) Port n function control register (PFCn: n = 0, 3 to 5, 9) Port n function control expansion register (PFCEn: n = 0, 3, 5, 9) Port n function register (PFn: n = 0, 3 to 5, 9)
Port pins	I/O: 80

(1) Port n register (Pn)

Data I/O with external devices is performed by writing to and reading from the Pn register. The Pn register is made up of a port latch that retains the output data and a circuit that reads the pin status.

Each bit of the Pn register corresponds to one pin of port n and can be read or written in 1-bit units.

After reset: 00H^{Note} (output latch) R/W

7	6	5	4	3	2	1	0
Pn7	Pn6	Pn5	Pn4	Pn3	Pn2	Pn1	Pn0

Pnm	Control of output data (in output mode)
0	0 is output.
1	1 is output.

Note This value is undefined for input-only ports.

The operation when writing or reading the Pn register differs depending on the specified mode.

Table 4-3. Reading and Writing Pn Register

PMCn Register Setting	PMn Register Setting	Writing Pn Register	Reading Pn Register
Port mode (PMCnm bit = 0)	Output mode (PMnm bit = 0)	Write to the output latch ^{Note} . The contents of the output latch are output from the pin.	The value of the output latch is read.
	Input mode (PMnm bit = 1)	Write to the output latch ^{Note} . The status of the pin is not affected.	The pin status is read.
Alternate-function mode (PMCnm bit = 1)	Output mode (PMnm bit = 0)	Write to the output latch ^{Note} . The status of the pin is not affected. The pin operates as an alternate-function pin.	The value of the output latch is read.
	Input mode (PMnm bit = 1)	Write to the output latch ^{Note} . The status of the pin is not affected. The pin operates as an alternate-function pin.	The pin status is read.

Note The value written to the output latch is retained until a new value is written to the output latch. The output latch value is cleared by a reset.

(2) Port n mode register (PMn)

PMn specifies the input mode or output mode of the port.

Each bit of the PMn register corresponds to one pin of port n and can be specified in 1-bit units.

After reset: FFH		R/W						
	7	6	5	4	3	2	1	0
PMn	PMn7	PMn6	PMn5	PMn4	PMn3	PMn2	PMn1	PMn0
	PMnm	Control of I/O mode						
	0	Output mode						
	1	Input mode						

(3) Port n mode control register (PMcN)

If the port function and the alternate function need to be switched, specify the port mode or the alternate function mode by using this register.

Each bit of the PMcN register corresponds to one pin of port n and can be specified in 1-bit units.

After reset: 00H		R/W						
	7	6	5	4	3	2	1	0
PMcN	PMcN7	PMcN6	PMcN5	PMcN4	PMcN3	PMcN2	PMcN1	PMcN0
	PMcNm	Specification of operation mode						
	0	Port mode						
	1	Alternate function mode						

(4) Port n function control register (PFCn)

PFCn is a register that specifies the alternate function to be used when one pin has two or more alternate functions. Each bit of the PFCn register corresponds to one pin of port n and can be specified in 1-bit units.

After reset: 00H		R/W						
	7	6	5	4	3	2	1	0
PFCn	PFCn7	PFCn6	PFCn5	PFCn4	PFCn3	PFCn2	PFCn1	PFCn0
PFCnm	Specification of alternate function							
0	Alternate function 1							
1	Alternate function 2							

(5) Port n function control expansion register (PFCEn)

The PFCEn register specifies the alternate function of a port pin in combination with the PFCn register if the pin has three or more alternate functions.

Each bit of the PFCEn register corresponds to one pin of port n and can be specified in 1-bit units.

After reset: 00H		R/W						
	7	6	5	4	3	2	1	0
PFCEn	PFCEn7	PFCEn6	PFCEn5	PFCEn4	PFCEn3	PFCEn2	PFCEn1	PFCEn0
	7	6	5	4	3	2	1	0
PFCn	PFCn7	PFCn6	PFCn5	PFCn4	PFCn3	PFCn2	PFCn1	PFCn0
PFCEnm	PFCnm	Specification of alternate function						
0	0	Alternate function 1						
0	1	Alternate function 2						
1	0	Alternate function 3						
1	1	Alternate function 4						

(6) Port n function register (PFn)

PFn is a register that specifies normal output (CMOS output) or N-ch open-drain output.

Each bit of the PFn register corresponds to one pin of port n and can be specified in 1-bit units.

After reset: 00H R/W

	7	6	5	4	3	2	1	0
PFn	PFn7	PFn6	PFn5	PFn4	PFn3	PFn2	PFn1	PFn0

PFnm ^{Note}	Specification of normal output (CMOS output)/N-ch open-drain output
0	Normal output (CMOS output)
1	N-ch open-drain output

Note Regardless of the settings of the PMCn register, the PFnm bit is valid only if the PMn.PMnm bit is set to 0 (output mode). If the PMnm bit is set to 1 (input mode), the values specified for the PFn register are invalid.

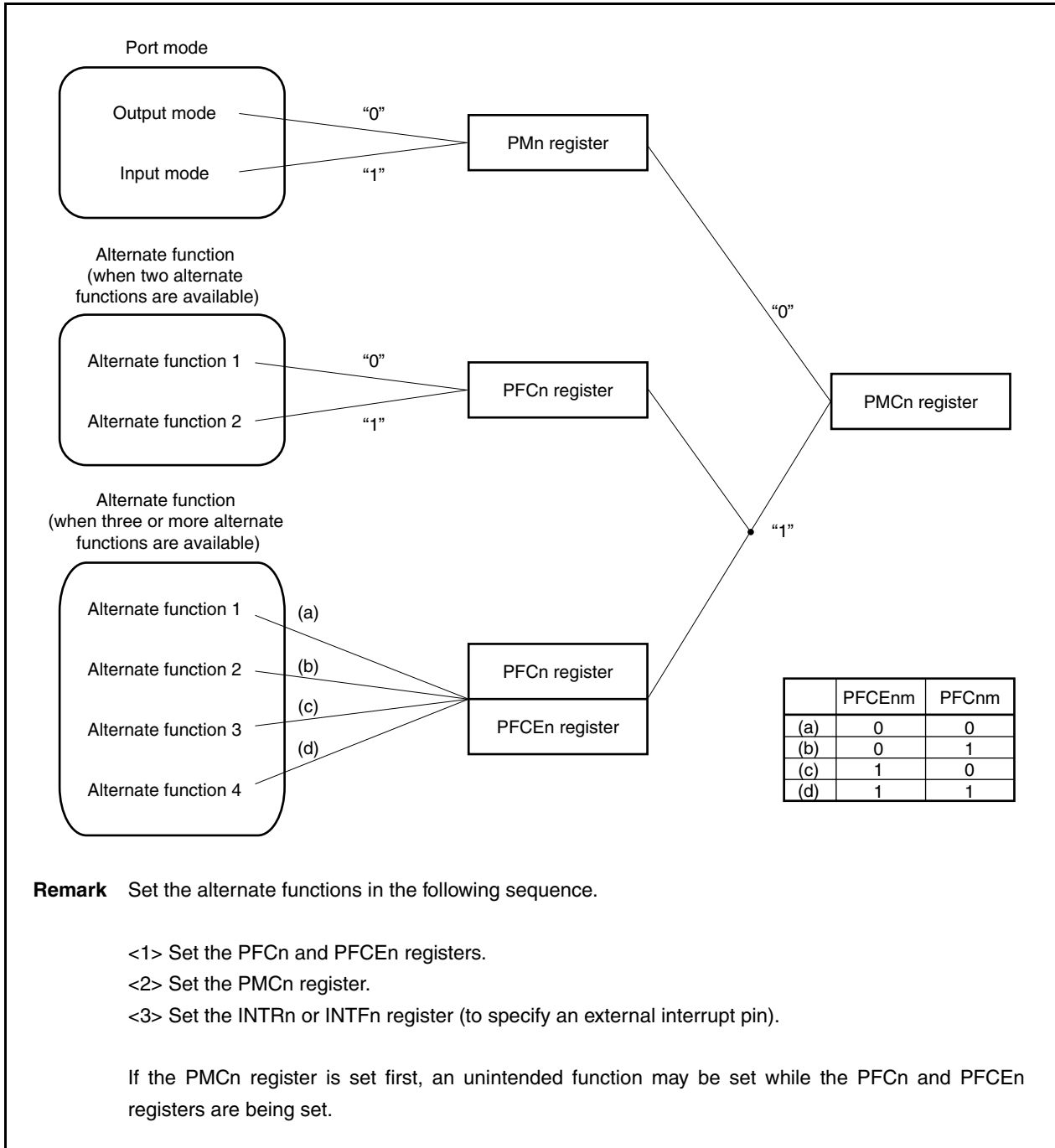
Example <1> The PFn register values are valid when:
 PFnm bit = 1 ... N-ch open drain output is specified.
 PMnm bit = 0 ... Output mode is specified.
 PMCnm bit = Any value

<2> The PFn register values are invalid when:
 PFnm bit = 1 ... N-ch open drain output is specified.
 PMnm bit = 1 ... Input mode is specified.
 PMCnm bit = Any value

(7) Port setting

Set a port as illustrated below.

Figure 4-2. Setting of Each Register and Pin Function



4.3.1 Port 0

Port 0 is a 5-bit port for which I/O settings can be controlled in 1-bit units.

Port 0 includes the following alternate-function pins.

Table 4-4. Port 0 Alternate-Function Pins

Pin No.		Function Name	Alternate Function		Remark	Block Type
GC	F1		Name	I/O		
7	G4	P02	NMI/A21	Input/Output	Selectable as N-ch open-drain output	N-2
18	G3	P03	INTP0/ADTRG/UCLK/RTC1HZ	Input/Output		U-17
19	H4	P04	INTP1/RTCDIV/RTCCCL	Input/Output		N-2
20	J3	P05	INTP2/DRST ^{Note}	Input		AA-1
21	J4	P06	INTP3	Input		L-1

Note The DRST pin is used for on-chip debugging.

If on-chip debugging is not used, fix the P05/INTP2/DRST pin to low level between when the reset signal of the RESET pin is released and when the OCDM.OCDM0 bit is cleared (0).

For details, see 4.6.3 Cautions on on-chip debug pins.

Caution The P02 to P06 pins have hysteresis characteristics in the input mode of the alternate function, but do not have hysteresis characteristics in the port mode.

Remark GC: 100-pin plastic LQFP (fine pitch) (14 × 14)

F1: 121-pin plastic FBGA (8 × 8)

(1) Port 0 register (P0)

After reset: 00H (output latch)		R/W	Address: FFFFF400H					
	7	6	5	4	3	2	1	0
P0	0	P06	P05	P04	P03	P02	0	0
P0n	Output data control (in output mode) (n = 2 to 6)							
0	Outputs 0							
1	Outputs 1							

(2) Port 0 mode register (PM0)

After reset: FFH R/W Address: FFFFF420H

	7	6	5	4	3	2	1	0
PM0	1	PM06	PM05	PM04	PM03	PM02	1	1
PM0n	I/O mode control (n = 2 to 6)							
0	Output mode							
1	Input mode							

(3) Port 0 mode control register (PMC0)

After reset: 00H R/W Address: FFFFF440H

	7	6	5	4	3	2	1	0
PMC0	0	PMC06	PMC05	PMC04	PMC03	PMC02	0	0
PMC06	Specification of pin operation							
0	I/O port (p06)							
1	INTP3 input							
PMC05	Specification of pin operation							
0	I/O port (p05)							
1	INTP2 input							
PMC04	Specification of pin operation							
0	I/O port (p04)							
1	INTP1 input/RTCDIV output/RTCCL output							
PMC03	Specification of pin operation							
0	I/O port (p03)							
1	INTP0 input/ADTRG input/UCLK input/RTC1HZ output							
PMC02	Specification of pin operation							
0	I/O port (p02)							
1	NMI input/A21 output							

Caution The P05/INTP2/ $\overline{\text{DRST}}$ pin becomes the $\overline{\text{DRST}}$ pin regardless of the value of the PMC05 bit when the OCDM.OCDM0 bit is 1.

(4) Port 0 function control register (PFC0)

After reset: 00H								R/W	Address: FFFFF460H								
		7	6	5	4	3	2	1	0								
PFC0		0	0	0	PFC04	PFC03	PFC02	0	0								

Remark For details of alternate function specification, see 4.3.1 (6) **Port 0 alternate function specifications.**

(5) Port 0 function control expansion register (PFCE0)

After reset: 00H								R/W	Address: FFFFF700H								
		7	6	5	4	3	2	1	0								
PFCE0		0	0	0	PFCE04	PFCE03	0	0	0								

Remark For details of alternate function specification, see 4.3.1 (6) **Port 0 alternate function specifications.**

(6) Port 0 alternate function specifications

PFCE04	PFC04	Specification of P04 pin alternate function
0	0	INTP1 input
0	1	RTCDIV output
1	0	RTCCL output
1	1	Setting prohibited

PFCE03	PFC03	Specification of P03 pin alternate function
0	0	INTP0 input
0	1	ADTRG input
1	0	UCLK input
1	1	RTC1HZ output

PFC02	Specification of P02 pin alternate function
0	NMI input
1	A21 output

(7) Port 0 function register (PF0)

After reset: 00H R/W Address: FFFFFC60H

	7	6	5	4	3	2	1	0
PF0	0	PF06	PF05	PF04	PF03	PF02	0	0

PF0n	Specification of normal output (CMOS output) or N-ch open-drain output (n = 2 to 6)
0	Normal output (CMOS output)
1	N-ch open-drain output

Caution When an output pin is pulled up to EV_{DD} or higher, be sure to set the PF0n bit to 1.

4.3.2 Port 1

Port 1 is a 2-bit port for which I/O settings can be controlled in 1-bit units.

Port 1 includes the following alternate-function pins.

Table 4-5. Port 1 Alternate-Function Pins

Pin No.		Function Name	Alternate Function		Remark	Block Type
GC	F1		Name	I/O		
3	E3	P10	ANO0	Output	–	A-2
4	E4	P11	ANO1	Output	–	A-2

Caution When the power is turned on, the P10 and P11 pins may output an undefined level temporarily even during reset.

Remark GC: 100-pin plastic LQFP (fine pitch) (14 × 14)

F1: 121-pin plastic FBGA (8 × 8)

(1) Port 1 register (P1)

After reset: 00H (output latch) R/W Address: FFFFF402H

	7	6	5	4	3	2	1	0
P1	0	0	0	0	0	0	P11	P10

P1n	Output data control (in output mode) (n = 0, 1)
0	Outputs 0
1	Outputs 1

Caution Do not read or write the P1 register during D/A conversion (see 15.4.3 Cautions).

(2) Port 1 mode register (PM1)

After reset: FFH R/W Address: FFFFF422H

	7	6	5	4	3	2	1	0
PM1	1	1	1	1	1	1	PM11	PM10

PM1n	I/O mode control (n = 0, 1)
0	Output mode
1	Input mode

- Cautions**
1. When using P1n as the alternate function (ANOn pin output), specify the input mode (PM1n bit = 1).
 2. When using one of the P10 and P11 pins as an I/O port and the other as a D/A output pin, do so in an application where the port I/O level does not change during D/A output.

4.3.3 Port 3

Port 3 is a 7-bit port for which I/O settings can be controlled in 1-bit units.

Port 3 includes the following alternate-function pins.

Table 4-6. Port 3 Alternate-Function Pins

Pin No.		Function Name	Alternate Function		Remark	Block Type
GC	F1		Name	I/O		
25	L3	P30	TXDA0/SOB4	Output	Selectable as N-ch open-drain output	G-3
26	K3	P31	RXDA0/INTP7/SIB4	Input		N-3
27	L4	P32	ASCKA0/ $\overline{\text{SCKB4}}$ /TIP00/TOP00	I/O		U-1
31	H5	P36	TXDA3	Output		G-2
32	J6	P37	RXDA3	Input		G-2
35	H6	P38	TXDA2/SDA00	I/O		G-12
36	H7	P39	RXDA2/SCL00	I/O		G-6

Caution The P31, P32, P37 to P39 pins have hysteresis characteristics in the input mode of the alternate-function pin, but do not have hysteresis characteristics in the port mode.

Remark GC: 100-pin plastic LQFP (fine pitch) (14 × 14)
F1: 121-pin plastic FBGA (8 × 8)

(1) Port 3 register (P3)

After reset: 0000H (output latch) R/W Address: P3 FFFFF406H,
P3L FFFFF406H, P3H FFFFF407H

	15	14	13	12	11	10	9	8
P3 (P3H)	0	0	0	0	0	0	P39	P38
	7	6	5	4	3	2	1	0
(P3L)	P37	P36	0	0	0	P32	P31	P30

P3n	Output data control (in output mode) (n = 0 to 2, 6 to 9)
0	Outputs 0
1	Outputs 1

Caution Be sure to clear bits 15 to 10, 5 to 3 to “0”.

Remarks

1. The P3 register can be read or written in 16-bit units.
However, when using the higher 8 bits of the P3 register as the P3H register and the lower 8 bits as the P3L register, P3 can be read or written in 8-bit or 1-bit units.
2. To read/write bits 8 to 15 of the P3 register in 8-bit or 1-bit units, specify them as bits 0 to 7 of the P3H register.

(2) Port 3 mode register (PM3)

After reset: FFFFH R/W Address: PM3 FFFFF426H,
PM3L FFFFF426H, PM3H FFFFF427H

	15	14	13	12	11	10	9	8
PM3 (PM3H)	1	1	1	1	1	1	PM39	PM38
	7	6	5	4	3	2	1	0
(PM3L)	PM37	PM36	1	1	1	PM32	PM31	PM30

PM3n	I/O mode control (n = 0 to 2, 6 to 9)
0	Output mode
1	Input mode

Caution Be sure to clear bits 15 to 10, 5 to 3 to “1”.

Remarks

1. The PM3 register can be read or written in 16-bit units.
However, when using the higher 8 bits of the PM3 register as the PM3H register and the lower 8 bits as the PM3L register, PM3 can be read or written in 8-bit or 1-bit units.
2. To read/write bits 8 to 15 of the PM3 register in 8-bit or 1-bit units, specify them as bits 0 to 7 of the PM3H register.

(3) Port 3 mode control register (PMC3)

After reset: 0000H R/W Address: PMC3 FFFF446H,
 PMC3L FFFF446H, PMC3H FFFF447H

	15	14	13	12	11	10	9	8
PMC3 (PMC3H)	0	0	0	0	0	0	PMC39	PMC38
	7	6	5	4	3	2	1	0
(PMC3L)	PMC37	PMC36	0	0	0	PMC32	PMC31	PMC30

PMC39	Specification of pin operation
0	I/O port (P39)
1	RXDA2 input/SCL00 I/O

PMC38	Specification of pin operation
0	I/O port (P38)
1	TXDA2 output/SDA00 I/O

PMC37	Specification of pin operation
0	I/O port (P37)
1	RXDA3 input

PMC36	Specification of pin operation
0	I/O port (P36)
1	TXDA3 output

PMC32	Specification of pin operation
0	I/O port (P32)
1	ASCKA0 input/SCKB4 I/O/TIP00 input/TOP00 output

PMC31	Specification of pin operation
0	I/O port (P31)
1	RXDA0 input/SIB4 input/INTP7 input

PMC30	Specification of pin operation
0	I/O port (P30)
1	TXDA0 output/SOB4 output

Caution Be sure to clear bits 15 to 10, 5 to 3 to “0”.

- Remarks**
- The PMC3 register can be read or written in 16-bit units. However, when using the higher 8 bits of the PMC3 register as the PMC3H register and the lower 8 bits as the PMC3L register, PMC3 can be read or written in 8-bit or 1-bit units.
 - To read/write bits 8 to 15 of the PMC3 register in 8-bit or 1-bit units, specify them as bits 0 to 7 of the PMC3H register.

(4) Port 3 function control register (PFC3)

After reset: 0000H R/W Address: PFC3 FFFFF466H,
PFC3L FFFFF466H, PFC3H FFFFF467H

	15	14	13	12	11	10	9	8
PFC3 (PFC3H)	0	0	0	0	0	0	PFC39	PFC38
	7	6	5	4	3	2	1	0
(PFC3L)	0	0	0	0	0	PFC32	PFC31	PFC30

Caution Be sure to clear bits 15 to 10, 7 to 3 to “0”.

Remarks

- For details of alternate function specification, see 4.3.3 (6) Port 3 alternate function specifications.
- The PFC3 register can be read or written in 16-bit units.
However, when using the higher 8 bits of the PFC3 register as the PFC3H register and the lower 8 bits as the PFC3L register, PFC3 can be read or written in 8-bit and 1-bit units.
- To read/write bits 8 to 15 of the PFC3 register in 8-bit or 1-bit units, specify them as bits 0 to 7 of the PFC3H register.

(5) Port 3 function control expansion register L (PFCE3L)

After reset: 00H R/W Address: FFFFF706H

	7	6	5	4	3	2	1	0
PFCE3L	0	0	0	0	0	PFCE32	0	0

Caution Be sure to clear bits 7 to 3, 1, 0 to “0”.

Remark For details of alternate function specification, see 4.3.3 (6) Port 3 alternate function specifications.

(6) Port 3 alternate function specifications

PFC39	Specification of P39 pin alternate function
0	RXDA2 input
1	SCL00 I/O

PFC38	Specification of P38 pin alternate function
0	TXDA2 output
1	SDA00 I/O

PFCE32	PFC32	Specification of P32 pin alternate function
0	0	ASCKA0 input
0	1	SCKB4 I/O
1	0	TIP00 input
1	1	TOP00 output

PFC31	Specification of P31 pin alternate function
0	RXDA0 input/INTP7 ^{Note} input
1	SIB4 input

PFC30	Specification of P30 pin alternate function
0	TXDA0 output
1	SOB4 output

Note INTP7 and RXDA0 are alternate functions. When using the pin for RXDA0, disable edge detection for INTP7 (clear the INTF3.INTF31 bit and the INTR3.INTR31 bit to 0). When using the pin for INTP7, stop UARTA0 reception (clear the UA0CTL0.UA0RXE bit to 0).

(7) Port 3 function register (PF3)

After reset: 0000H R/W Address: PF3 FFFFFFFC66H,
PF3L FFFFFFFC66H, PF3H FFFFFFFC67H

	15	14	13	12	11	10	9	8
PF3 (PF3H)	0	0	0	0	0	0	PF39	PF38

	7	6	5	4	3	2	1	0
(PF3L)	PF37	PF36	0	0	0	PF32	PF31	PF30

PF3n	Specification of normal output (CMOS output) or N-ch open-drain output (n = 0 to 2, 6 to 9)
0	Normal output (CMOS output)
1	N-ch open-drain output

- Cautions**
1. When an output pin is pulled up to EV_{DD} or higher, be sure to set the PF3n bit to 1.
 2. Be sure to clear bits 15 to 10, 5 to 3 to "0".

- Remarks**
1. The PF3 register can be read or written in 16-bit units.
However, when using the higher 8 bits of the PF3 register as the PF3H register and the lower 8 bits as the PF3L register, PF3 can be read or written in 8-bit or 1-bit units.
 2. To read/write bits 8 to 15 of the PF3 register in 8-bit or 1-bit units, specify them as bits 0 to 7 of the PF3H register.

4.3.4 Port 4

Port 4 is a 3-bit port that controls I/O in 1-bit units.

Port 4 includes the following alternate-function pins.

Table 4-7. Port 4 Alternate-Function Pins

Pin No.		Function Name	Alternate Function		Remark	Block Type
GC	F1		Name	I/O		
22	K1	P40	SIB0/SDA01	I/O	Selectable as N-ch open-drain output	G-6
23	K2	P41	SOB0/SCL01	I/O		G-12
24	L2	P42	SCKB0	I/O		E-3

Caution The P40 to P42 pins have hysteresis characteristics in the input mode of the alternate-function pin, but do not have hysteresis characteristics in the port mode.

Remark GC: 100-pin plastic LQFP (fine pitch) (14 × 14)
F1: 121-pin plastic FBGA (8 × 8)

(1) Port 4 register (P4)

After reset: 00H (output latch)		R/W	Address: FFFFF408H					
P4	7	6	5	4	3	2	1	0
	0	0	0	0	0	P42	P41	P40
P4n	Output data control (in output mode) (n = 0 to 2)							
0	Outputs 0							
1	Outputs 1							

(2) Port 4 mode register (PM4)

After reset: FFH		R/W	Address: FFFFF428H					
PM4	7	6	5	4	3	2	1	0
	1	1	1	1	1	PM42	PM41	PM40
PM4n	I/O mode control (n = 0 to 2)							
0	Output mode							
1	Input mode							

(3) Port 4 mode control register (PMC4)

After reset: 00H R/W Address: FFFFF448H

	7	6	5	4	3	2	1	0
PMC4	0	0	0	0	0	PMC42	PMC41	PMC40

PMC42	Specification of pin operation
0	I/O port (P42)
1	SCKB0 I/O

PMC41	Specification of pin operation
0	I/O port (P41)
1	SOB0 output/SCL01 I/O

PMC40	Specification of pin operation
0	I/O port (P40)
1	SIB0 input/SDA01 I/O

(4) Port 4 function control register (PFC4)

After reset: 00H R/W Address: FFFFF468H

	7	6	5	4	3	2	1	0
PFC4	0	0	0	0	0	0	PFC41	PFC40

PFC41	Specification of P41 pin alternate function
0	SOB0 output
1	SCL01 I/O

PFC40	Specification of P40 pin alternate function
0	SIB0 input
1	SDA01 I/O

(5) Port 4 function register (PF4)

After reset: 00H R/W Address: FFFFFC68H

	7	6	5	4	3	2	1	0
PF4	0	0	0	0	0	PF42	PF41	PF40

PF4n	Specification of normal output (CMOS output) or N-ch open-drain output (n = 0 to 2)
0	Normal output (CMOS output)
1	N-ch open-drain output

Caution When an output pin is pulled up to EV_{DD} or higher, be sure to set the PF4n bit to 1.

4.3.5 Port 5

Port 5 is a 6-bit port that controls I/O in 1-bit units.

Port 5 includes the following alternate-function pins.

Table 4-8. Port 5 Alternate-Function Pins

Pin No.		Function Name	Alternate Function		Remark	Block Type
GC	F1		Name	I/O		
37	L7	P50	TIQ01/KR0/TOQ01/RTP00	I/O	Selectable as N-ch open-drain output	U-5
38	K7	P51	TIQ02/KR1/TOQ02/RTP01	I/O		U-5
39	J7	P52	TIQ03/KR2/TOQ03/RTP02/DDI ^{Note}	I/O		U-6
40	L8	P53	SIB2/KR3/TIQ00/TOQ00/RTP03/DDO ^{Note}	I/O		U-7
41	K8	P54	SOB2/KR4/RTP04/DCK ^{Note}	I/O		U-8
42	J8	P55	SCKB2/KR5/RTP05/DMS ^{Note}	I/O		U-9

Note The DDI, DDO, DCK, and DMS pins are used for on-chip debugging.

- Cautions**
1. When the power is turned on, the P53 pin may output an undefined level temporarily even during reset.
 2. The P50 to P55 pins have hysteresis characteristics in the input mode of the alternate function, but do not have hysteresis characteristics in the port mode.

Remark GC: 100-pin plastic LQFP (fine pitch) (14 × 14)
F1: 121-pin plastic FBGA (8 × 8)

(1) Port 5 register (P5)

After reset: 00H (output latch)		R/W	Address: FFFFF40AH					
	7	6	5	4	3	2	1	0
P5	0	0	P55	P54	P53	P52	P51	P50
P5n	Output data control (in output mode) (n = 0 to 5)							
0	Outputs 0							
1	Outputs 1							

(2) Port 5 mode register (PM5)

After reset: FFH R/W Address: FFFFF42AH

	7	6	5	4	3	2	1	0
PM5	1	1	PM55	PM54	PM53	PM52	PM51	PM50

PM5n	I/O mode control (n = 0 to 5)
0	Output mode
1	Input mode

(3) Port 5 mode control register (PMC5)

After reset: 00H R/W Address: FFFFF44AH

	7	6	5	4	3	2	1	0
PMC5	0	0	PMC55	PMC54	PMC53	PMC52	PMC51	PMC50

PMC55	Specification of pin operation
0	I/O port (P55)
1	SCKB2 I/O/KR5 input/RTP05 output

PMC54	Specification of pin operation
0	I/O port (P54)
1	SOB2 output/KR4 input/RTP04 output

PMC53	Specification of pin operation
0	I/O port (P53)
1	SIB2 input/KR3 input/TIQ00 input/TOQ00 output/RTP03 output

PMC52	Specification of pin operation
0	I/O port (P52)
1	TIQ03 input/KR2 input/TOQ03 output/RTP02 output

PMC51	Specification of pin operation
0	I/O port (P51)
1	TIQ02 input/KR1 input/TOQ02 output/RTP01 output

PMC50	Specification of pin operation
0	I/O port (P50)
1	TIQ01 input/KR0 input/TOQ01 output/RTP00 output

(4) Port 5 function control register (PFC5)

After reset: 00H R/W Address: FFFFF46AH

	7	6	5	4	3	2	1	0
PFC5	0	0	PFC55	PFC54	PFC53	PFC52	PFC51	PFC50

Remark For details of alternate function specification, see 4.3.5 (6) **Port 5 alternate function specifications.**

(5) Port 5 function control expansion register (PFCE5)

After reset: 00H R/W Address: FFFFF70AH

	7	6	5	4	3	2	1	0
PFCE5	0	0	PFCE55	PFCE54	PFCE53	PFCE52	PFCE51	PFCE50

Remark For details of alternate function specification, see 4.3.5 (6) **Port 5 alternate function specifications.**

(6) Port 5 alternate function specifications

PFCE55	PFC55	Specification of P55 pin alternate function
0	0	$\overline{\text{SCKB2}}$ I/O
0	1	KR5 input
1	0	Setting prohibited
1	1	RTP05 output

PFCE54	PFC54	Specification of P54 pin alternate function
0	0	SOB2 output
0	1	KR4 input
1	0	Setting prohibited
1	1	RTP04 output

PFCE53	PFC53	Specification of P53 pin alternate function
0	0	SIB2 input
0	1	TIQ00 input/KR3 ^{Note} input
1	0	TOQ00 output
1	1	RTP03 output

PFCE52	PFC52	Specification of P52 pin alternate function
0	0	Setting prohibited
0	1	TIQ03 input/KR2 ^{Note} input
1	0	TOQ03 input
1	1	RTP02 output

PFCE51	PFC51	Specification of P51 pin alternate function
0	0	Setting prohibited
0	1	TIQ02 input/KR1 ^{Note} input
1	0	TOQ02 output
1	1	RTP01 output

PFCE50	PFC50	Specification of P50 pin alternate function
0	0	Setting prohibited
0	1	TIQ01 input/KR0 ^{Note} input
1	0	TOQ01 output
1	1	RTP00 output

Note KRn and TIQ0m are alternate functions. When using the pin for TIQ0m, disable key return detection for KRn (clear the KRM.KRMn bit to 0). When using the pin for KRn, disable edge detection for TIQ0m (n = 0 to 3, m = 0 to 3).

Alternate Function Name	Use as TIQ0m Function	Use as KRn Function
KR0/TIQ01	KRM.KRM0 bit = 0	TQ0IOC1.TQ0TIG2, TQ0IOC1.TQ0TIG3 bits = 0
KR1/TIQ02	KRM.KRM1 bit = 0	TQ0IOC1.TQ0TIG4, TQ0IOC1.TQ0TIG5 bits = 0
KR2/TIQ03	KRM.KRM2 bit = 0	TQ0IOC1.TQ0TIG6, TQ0IOC1.TQ0TIG7 bits = 0
KR3/TIQ00	KRM.KRM3 bit = 0	TQ0IOC1.TQ0TIG0, TQ0IOC1.TQ0TIG1 bits = 0 TQ0IOC2.TQ0EES0, TQ0IOC2.TQ0EES1 bits = 0 TQ0IOC2.TQ0ETS0, TQ0IOC2.TQ0ETS1 bits = 0

(7) Port 5 function register (PF5)

After reset: 00H R/W Address: FFFFC6AH

	7	6	5	4	3	2	1	0
PF5	0	0	PF55	PF54	PF53	PF52	PF51	PF50

PF5n	Specification of normal output (CMOS output) or N-ch open-drain output (n = 0 to 5)
0	Normal output (CMOS output)
1	N-ch open-drain output

- Cautions**
1. When an output pin is pulled up to EV_{DD} or higher, be sure to set the PF5n bit to 1.
 2. Bits 6 and 7 of the PF5 register must always be set to 0.

4.3.6 Port 7

Port 7 is a 12-bit port for which I/O settings can be controlled in 1-bit units.

Port 7 includes the following alternate-function pins.

Table 4-9. Port 7 Alternate-Function Pins

Pin No.		Function Name	Alternate Function		Remark	Block Type
GC	F1		Name	I/O		
100	A3	P70	ANI0	Input	-	A-1
99	B3	P71	ANI1	Input		A-1
98	C3	P72	ANI2	Input		A-1
97	D3	P73	ANI3	Input		A-1
96	A4	P74	ANI4	Input		A-1
95	B4	P77	ANI5	Input		A-1
94	C4	P76	ANI6	Input		A-1
93	D4	P77	ANI7	Input		A-1
92	A5	P78	ANI8	Input		A-1
91	B5	P79	ANI9	Input		A-1
90	C5	P710	ANI10	Input		A-1
89	D5	P711	ANI11	Input		A-1

Remark GC: 100-pin plastic LQFP (fine pitch) (14 × 14)
F1: 121-pin plastic FBGA (8 × 8)

(1) Port 7 register H, port 7 register L (P7H, P7L)

After reset: 00H (output latch) R/W Address: P7L FFFFF40EH, P7H FFFFF40FH

	7	6	5	4	3	2	1	0
P7H	0	0	0	0	P711	P710	P79	P78

	7	6	5	4	3	2	1	0
P7L	P77	P76	P75	P74	P73	P72	P71	P70

P7n	Output data control (in output mode) (n = 0 to 11)
0	Outputs 0
1	Outputs 1

Caution Do not read or write the P7H and P7L registers during A/D conversion (see 14.6 (4) Alternate I/O).

Remark These registers cannot be accessed in 16-bit units as the P7 register. They can be read or written in 8-bit or 1-bit units as the P7H and P7L registers.

(2) Port 7 mode register H, port 7 mode register L (PM7H, PM7L)

After reset: FFH R/W Address: PM7L FFFFF42EH, PM7H FFFFF42FH

	7	6	5	4	3	2	1	0
PM7H	1	1	1	1	PM711	PM710	PM79	PM78

	7	6	5	4	3	2	1	0
PM7L	PM77	PM76	PM75	PM74	PM73	PM72	PM71	PM70

PM7n	I/O mode control (n = 0 to 11)
0	Output mode
1	Input mode

Caution When using the P7n pin as its alternate function (ANIn pin), set the PM7n bit to 1.

Remark These registers cannot be accessed in 16-bit units as the PM7 register. They can be read or written in 8-bit or 1-bit units as the PM7H and PM7L registers.

4.3.7 Port 9

Port 9 is a 16-bit port for which I/O settings can be controlled in 1-bit units.

Port 9 includes the following alternate-function pins.

Table 4-10. Port 9 Alternate-Function Pins

Pin No.		Function Name	Alternate Function		Remark	Block Type
GC	F1		Name	I/O		
43	H8	P90	KR6/TXDA1/SDA02	I/O	Selectable as N-ch open-drain output	U-10
44	L9	P91	KR7/RXDA1/SCL02	I/O		U-11
45	K9	P92	TIP41/TOP41/TXDA4	I/O		U-16
46	J9	P93	TIP40/TOP40 /RXDA4	I/O		U-14
47	L10	P94	TIP31/TOP31 /TXDA5	I/O		U-16
48	K10	P95	TIP30/TOP30 /RXDA5	I/O		U-14
49	K11	P96	TXDC0/TIP21/TOP21	I/O		U-16
50	J11	P97	SIB1/RXDC0/TIP20/TOP20	I/O		U-14
51	J10	P98	SOB1	Output		G-3
52	H11	P99	$\overline{\text{SCKB1}}$	I/O		G-5
53	H10	P910	SIB3	I/O		G-2
54	H9	P911	SOB3	Output		G-3
55	G11	P912	$\overline{\text{SCKB3}}$	I/O		G-5
56	G10	P913	INTP4	I/O		N-2
57	G9	P914	INTP5/TIP51/TOP51	I/O	U-15	
58	G8	P915	INTP6/TIP50/TOP50	I/O	U-15	

Caution The P90 to P97, P99, P910, and P912 to P915 pins have hysteresis characteristics in the input mode of the alternate-function pin, but do not have hysteresis characteristics in the port mode.

Remark GC: 100-pin plastic LQFP (fine pitch) (14 × 14)
F1: 121-pin plastic FBGA (8 × 8)

(1) Port 9 register (P9)

After reset: 0000H (output latch)	R/W	Address: P9 FFFFF412H, P9L FFFFF412H, P9H FFFFF413H								
P9 (P9H)	15 14 13 12 11 10 9 8	<table style="width: 100%; border-collapse: collapse;"> <tr> <td style="border: 1px solid black; text-align: center;">P915</td> <td style="border: 1px solid black; text-align: center;">P914</td> <td style="border: 1px solid black; text-align: center;">P913</td> <td style="border: 1px solid black; text-align: center;">P912</td> <td style="border: 1px solid black; text-align: center;">P911</td> <td style="border: 1px solid black; text-align: center;">P910</td> <td style="border: 1px solid black; text-align: center;">P99</td> <td style="border: 1px solid black; text-align: center;">P98</td> </tr> </table>	P915	P914	P913	P912	P911	P910	P99	P98
P915	P914	P913	P912	P911	P910	P99	P98			
(P9L)	7 6 5 4 3 2 1 0	<table style="width: 100%; border-collapse: collapse;"> <tr> <td style="border: 1px solid black; text-align: center;">P97</td> <td style="border: 1px solid black; text-align: center;">P96</td> <td style="border: 1px solid black; text-align: center;">P95</td> <td style="border: 1px solid black; text-align: center;">P94</td> <td style="border: 1px solid black; text-align: center;">P93</td> <td style="border: 1px solid black; text-align: center;">P92</td> <td style="border: 1px solid black; text-align: center;">P91</td> <td style="border: 1px solid black; text-align: center;">P90</td> </tr> </table>	P97	P96	P95	P94	P93	P92	P91	P90
P97	P96	P95	P94	P93	P92	P91	P90			
	P9n	Output data control (in output mode) (n = 0 to 15)								
	0	Outputs 0								
	1	Outputs 1								

Remarks

1. The P9 register can be read or written in 16-bit units.
However, when using the higher 8 bits of the P9 register as the P9H register and the lower 8 bits as the P9L register, P9 can be read or written in 8-bit or 1-bit units.
2. To read/write bits 8 to 15 of the P9 register in 8-bit or 1-bit units, specify them as bits 0 to 7 of the P9H register.

(2) Port 9 mode register (PM9)

After reset: FFFFH	R/W	Address: PM9 FFFFF432H, PM9L FFFFF432H, PM9H FFFFF433H								
PM9 (PM9H)	15 14 13 12 11 10 9 8	<table style="width: 100%; border-collapse: collapse;"> <tr> <td style="border: 1px solid black; text-align: center;">PM915</td> <td style="border: 1px solid black; text-align: center;">PM914</td> <td style="border: 1px solid black; text-align: center;">PM913</td> <td style="border: 1px solid black; text-align: center;">PM912</td> <td style="border: 1px solid black; text-align: center;">PM911</td> <td style="border: 1px solid black; text-align: center;">PM910</td> <td style="border: 1px solid black; text-align: center;">PM99</td> <td style="border: 1px solid black; text-align: center;">PM98</td> </tr> </table>	PM915	PM914	PM913	PM912	PM911	PM910	PM99	PM98
PM915	PM914	PM913	PM912	PM911	PM910	PM99	PM98			
(PM9L)	7 6 5 4 3 2 1 0	<table style="width: 100%; border-collapse: collapse;"> <tr> <td style="border: 1px solid black; text-align: center;">PM97</td> <td style="border: 1px solid black; text-align: center;">PM96</td> <td style="border: 1px solid black; text-align: center;">PM95</td> <td style="border: 1px solid black; text-align: center;">PM94</td> <td style="border: 1px solid black; text-align: center;">PM93</td> <td style="border: 1px solid black; text-align: center;">PM92</td> <td style="border: 1px solid black; text-align: center;">PM91</td> <td style="border: 1px solid black; text-align: center;">PM90</td> </tr> </table>	PM97	PM96	PM95	PM94	PM93	PM92	PM91	PM90
PM97	PM96	PM95	PM94	PM93	PM92	PM91	PM90			
	PM9n	I/O mode control (n = 0 to 15)								
	0	Output mode								
	1	Input mode								

Remarks

1. The PM9 register can be read or written in 16-bit units.
However, when using the higher 8 bits of the PM9 register as the PM9H register and the lower 8 bits as the PM9L register, PM9 can be read or written in 8-bit and 1-bit units.
2. To read/write bits 8 to 15 of the PM9 register in 8-bit or 1-bit units, specify them as bits 0 to 7 of the PM9H register.

(3) Port 9 mode control register (PMC9)

(1/2)

After reset: 0000H R/W Address: PMC9 FFFFF452H,
 PMC9L FFFFF452H, PMC9H FFFFF453H

	15	14	13	12	11	10	9	8
PMC9 (PMC9H)	PMC915	PMC914	PMC913	PMC912	PMC911	PMC910	PMC99	PMC98
	7	6	5	4	3	2	1	0
(PMC9L)	PMC97	PMC96	PMC95	PMC94	PMC93	PMC92	PMC91	PMC90

PMC915	Specification of pin operation
0	I/O port (P915)
1	INTP6 input/TIP50 input/TOP50 output

PMC914	Specification of pin operation
0	I/O port (P914)
1	INTP5 input/TIP51 input/TOP51 output

PMC913	Specification of pin operation
0	I/O port (P913)
1	INTP4 input

PMC912	Specification of pin operation
0	I/O port (P912)
1	$\overline{\text{SCKB3}}$ I/O

PMC911	Specification of pin operation
0	I/O port (P911)
1	SOB3 output

PMC910	Specification of pin operation
0	I/O port (P910)
1	SIB3 input

PMC99	Specification of pin operation
0	I/O port (P99)
1	$\overline{\text{SCKB1}}$ I/O

PMC98	Specification of pin operation
0	I/O port (P98)
1	SOB1 output

Remarks

1. The PMC9 register can be read or written in 16-bit units.
 However, when using the higher 8 bits of the PMC9 register as the PMC9H register and the lower 8 bits as the PMC9L register, PMC9 can be read or written in 8-bit or 1-bit units.
2. To read/write bits 8 to 15 of the PMC9 register in 8-bit or 1-bit units, specify them as bits 0 to 7 of the PMC9H register.

(2/2)

PMC97	Specification of pin operation
0	I/O port (P97)
1	SIB1 input/RXDC0 input/TIP20 input/TOP20 output
PMC96	Specification of pin operation
0	I/O port (P96)
1	TXDC0 output/TIP21 input/TOP21 output
PMC95	Specification of pin operation
0	I/O port (P95)
1	TIP30 input/TOP30 output/RXDA5 input
PMC94	Specification of pin operation
0	I/O port (P94)
1	TIP31 input/TOP31 output/TXDA5 output
PMC93	Specification of pin operation
0	I/O port (P93)
1	TIP40 input/TOP40 output/RXDA4 input
PMC92	Specification of pin operation
0	I/O port (P92)
1	TIP41 input/TOP41 output/TXDA4 output
PMC91	Specification of pin operation
0	I/O port (P91)
1	KR7 input/RXDA1 input/SCL02 I/O
PMC90	Specification of pin operation
0	I/O port (P90)
1	KR6 input/TXDA1 output/SDA02 I/O

(4) Port 9 function control register (PFC9)

After reset: 0000H R/W Address: PFC9 FFFFF472H,
PFC9L FFFFF472H, PFC9H FFFFF473H

	15	14	13	12	11	10	9	8
PFC9 (PFC9H)	PFC915	PFC914	PFC913	PFC912	PFC911	PFC910	PFC99	PFC98
	7	6	5	4	3	2	1	0
(PFC9L)	PFC97	PFC96	PFC95	PFC94	PFC93	PFC92	PFC91	PFC90

- Remarks**
- For details of alternate function specification, see **4.3.7 (6) Port 9 alternate function specifications**.
 - The PFC9 register can be read or written in 16-bit units.
However, when using the higher 8 bits of the PFC9 register as the PFC9H register and the lower 8 bits as the PFC9L register, PFC9 can be read or written in 8-bit or 1-bit units.
 - To read/write bits 8 to 15 of the PFC9 register in 8-bit or 1-bit units, specify them as bits 0 to 7 of the PFC9H register.

(5) Port 9 function control expansion register (PFCE9)

After reset: 0000H R/W Address: PFCE9 FFFFF712H,
PFCE9L FFFFF712H, PFCE9H FFFFF713H

	15	14	13	12	11	10	9	8
PFCE9 (PFCE9H)	PFCE915	PFCE914	0	0	0	0	0	0
	7	6	5	4	3	2	1	0
(PFCE9L)	PFCE97	PFCE96	PFCE95	PFCE94	PFCE93	PFCE92	PFCE91	PFCE90

- Remarks**
- For details of alternate function specification, see **4.3.7 (6) Port 9 alternate function specifications**.
 - The PFCE9 register can be read or written in 16-bit units.
However, when using the higher 8 bits of the PFCE9 register as the PFCE9H register and the lower 8 bits as the PFCE9L register, PFCE9 can be read or written in 8-bit or 1-bit units.
 - To read/write bits 8 to 15 of the PFCE9 register in 8-bit or 1-bit units, specify them as bits 0 to 7 of the PFCE9H register.

(6) Port 9 alternate function specifications

PFCE915	PFC915	Specification of P915 pin alternate function
0	0	Setting prohibited
0	1	INTP6 input
1	0	TIP50 input
1	1	TOP50 output

PFCE914	PFC914	Specification of P914 pin alternate function
0	0	Setting prohibited
0	1	INTP5 input
1	0	TIP51 input
1	1	TOP51 output

PFC913	Specification of P913 pin alternate function
0	Setting prohibited
1	INTP4 input

PFC912	Specification of P912 pin alternate function
0	Setting prohibited
1	SCKB3 I/O

PFC911	Specification of P911 pin alternate function
0	Setting prohibited
1	SOB3 output

PFC910	Specification of P910 pin alternate function
0	Setting prohibited
1	SIB3 input

PFC99	Specification of P99 pin alternate function
0	Setting prohibited
1	SCKB1 I/O

PFC98	Specification of P98 pin alternate function
0	Setting prohibited
1	SOB1 output

PFCE97	PFC97	Specification of P97 pin alternate function
0	0	Setting prohibited
0	1	SIB1 input/RXDC0 input ^{Note}
1	0	TIP20 input
1	1	TOP20 output

Note The SIB1 and RXDC0 functions cannot be used at the same time. When using the pin for SIB1, stop UARTC0 reception. (clear the UC0CTL0.UC0RXE bit to 0.) When using the pin for RXDC0, stop CSIB1 reception. (clear the CB1CTL0.CB1RXE bit to 0.)

PFCE96	PFC96	Specification of P96 pin alternate function
0	0	Setting prohibited
0	1	TXDC0 output
1	0	TIP21 input
1	1	TOP21 output

PFCE95	PFC95	Specification of P95 pin alternate function
0	0	Setting prohibited
0	1	TIP30 input
1	0	TOP30 output
1	1	RXDA5 input

PFCE94	PFC94	Specification of P94 pin alternate function
0	0	Setting prohibited
0	1	TIP31 input
1	0	TOP31 output
1	1	TXDA5 output

PFCE93	PFC93	Specification of P93 pin alternate function
0	0	Setting prohibited
0	1	TIP40 input
1	0	TOP40 output
1	1	RXDA4 input

PFCE92	PFC92	Specification of P92 pin alternate function
0	0	Setting prohibited
0	1	TIP41 input
1	0	TOP41 output
1	1	TXDA4 output

PFCE91	PFC91	Specification of P91 pin alternate function
0	0	Setting prohibited
0	1	KR7 input
1	0	RXDA1 input/KR7 input ^{Note}
1	1	SCL02 I/O

PFCE90	PFC90	Specification of P90 pin alternate function
0	0	Setting prohibited
0	1	KR6 input
1	0	TXDA1 output
1	1	SDA02 I/O

Note The RXDA1 and KR7 functions cannot be used at the same time. When using the pin for RXDA1, do not use the KR7 function. When using the pin for KR7, do not use the RXDA1 function. (It is recommended to set the PFC91 bit to 1 and clear the PFCE91 bit to 0.)

(7) Port 9 function register (PF9)

After reset: 0000H R/W Address: PF9 FFFFC72H,
PF9L FFFFC72H, PF9H FFFFC73H

	15	14	13	12	11	10	9	8
PF9 (PF9H)	PF915	PF914	PF913	PF912	PF911	PF910	PF99	PF98

	7	6	5	4	3	2	1	0
(PF9L)	PF97	PF96	PF95	PF94	PF93	PF92	PF91	PF90

PF9n	Specification of normal output (CMOS output) or N-ch open-drain output (n = 0 to 15)
0	Normal output (CMOS output)
1	N-ch open-drain output

Caution When output pins P90 to P96 are pulled up to EV_{DD} or higher, be sure to set the PF9n bit to 1.

Pull up output pins P97 to P915 to the same potential as EV_{DD} , even when they are used as N-ch open-drain output pins.

- Remarks**
- The PF9 register can be read or written in 16-bit units.
However, when using the higher 8 bits of the PF9 register as the PF9H register and the lower 8 bits as the PF9L register, PF9 can be read or written in 8-bit or 1-bit units.
 - To read/write bits 8 to 15 of the PF9 register in 8-bit or 1-bit units, specify them as bits 0 to 7 of the PF9H register.

4.3.8 Port CM

Port CM is a 4-bit port for which I/O settings can be controlled in 1-bit units.
 Port CM includes the following alternate-function pins.

Table 4-11. Port CM Alternate-Function Pins

Pin No.		Function Name	Alternate Function		Remark	Block Type
GC	F1		Name	I/O		
61	F11	PCM0	WAIT	Input	-	D-1
62	F10	PCM1	CLKOUT	Output		D-2
63	E10	PCM2	HLDK	Output		D-2
64	E9	PCM3	HLDRQ	Input		D-1

Remark GC: 100-pin plastic LQFP (fine pitch) (14 × 14)
 F1: 121-pin plastic FBGA (8 × 8)

(1) Port CM register (PCM)

After reset: 00H (output latch) R/W Address: FFFF00CH

	7	6	5	4	3	2	1	0
PCM	0	0	0	0	PCM3	PCM2	PCM1	PCM0

PCMn	Output data control (in output mode) (n = 0 to 3)
0	Outputs 0
1	Outputs 1

(2) Port CM mode register (PMCM)

After reset: FFH R/W Address: FFFF02CH

	7	6	5	4	3	2	1	0
PMCM	1	1	1	1	PMCM3	PMCM2	PMCM1	PMCM0

PMCMn	I/O mode control (n = 0 to 3)
0	Output mode
1	Input mode

(3) Port CM mode control register (PMCCM)

After reset: 00H R/W Address: FFFFF04CH								
	7	6	5	4	3	2	1	0
PMCCM	0	0	0	0	PMCCM3	PMCCM2	PMCCM1	PMCCM0
	PMCCM3		Specification of pin operation					
	0	I/O port (PCM3)						
	1	$\overline{\text{HLDRQ}}$ input						
	PMCCM2		Specification of pin operation					
	0	I/O port (PCM2)						
	1	$\overline{\text{HLDAK}}$ output						
	PMCCM1		Specification of pin operation					
	0	I/O port (PCM1)						
	1	CLKOUT output						
	PMCCM0		Specification of pin operation					
	0	I/O port (PCM0)						
	1	$\overline{\text{WAIT}}$ input						

4.3.9 Port CT

Port CT is a 4-bit port for which I/O settings can be controlled in 1-bit units.

Port CT includes the following alternate-function pins.

Table 4-12. Port CT Alternate-Function Pins

Pin No.		Function Name	Alternate Function		Remark	Block Type
GC	F1		Name	I/O		
65	E8	PCT0	$\overline{WR0}$	Output	-	D-2
66	D10	PCT1	$\overline{WR1}$	Output		D-2
67	D9	PCT4	\overline{RD}	Output		D-2
68	D8	PCT6	ASTB	Output		D-2

Remark GC: 100-pin plastic LQFP (fine pitch) (14 × 14)

F1: 121-pin plastic FBGA (8 × 8)

(1) Port CT register (PCT)

After reset: 00H (output latch) R/W Address: FFFF00AH								
	7	6	5	4	3	2	1	0
PCT	0	PCT6	0	PCT4	0	0	PCT1	PCT0
PCTn	Output data control (in output mode) (n = 0, 1, 4, 6)							
0	Outputs 0							
1	Outputs 1							

(2) Port CT mode register (PMCT)

After reset: FFH R/W Address: FFFF02AH								
	7	6	5	4	3	2	1	0
PMCT	1	PMCT6	1	PMCT4	1	1	PMCT1	PMCT0
PMCTn	I/O mode control (n = 0, 1, 4, 6)							
0	Output mode							
1	Input mode							

(3) Port CT mode control register (PMCCT)

After reset: 00H R/W Address: FFFFF04AH

	7	6	5	4	3	2	1	0
PMCCT	0	PMCCT6	0	PMCCT4	0	0	PMCCT1	PMCCT0

PMCCT6	Specification of pin operation
0	I/O port (PCT6)
1	ASTB output

PMCCT4	Specification of pin operation
0	I/O port (PCT4)
1	\overline{RD} output

PMCCT1	Specification of pin operation
0	I/O port (PCT1)
1	$\overline{WR1}$ output

PMCCT0	Specification of pin operation
0	I/O port (PCT0)
1	$\overline{WR0}$ output

4.3.10 Port DH

Port DH is a 5-bit port for which I/O settings can be controlled in 1-bit units.

Port DH includes the following alternate-function pins.

Table 4-13. Port DH Alternate-Function Pins

Pin No.		Function Name	Alternate Function		Remark	Block Type
GC	F1		Name	I/O		
87	C6	PDH0	A16	Output	-	D-2
88	D6	PDH1	A17	Output		D-2
59	F9	PDH2	A18	Output		D-2
60	F8	PDH3	A19	Output		D-2
6	F4	PDH4	A20	Output		D-2

Caution When specifying the port or alternate function mode on a bit by bit basis, make sure that the address bus output functions normally.

Remark GC: 100-pin plastic LQFP (fine pitch) (14 × 14)

F1: 121-pin plastic FBGA (8 × 8)

(1) Port DH register (PDH)

After reset: 00H (output latch)		R/W	Address: FFFFF006H					
	7	6	5	4	3	2	1	0
PDH	0	0	0	PDH4	PDH3	PDH2	PDH1	PDH0
PDHn	Output data control (in output mode) (n = 0 to 4)							
0	Outputs 0							
1	Outputs 1							

(2) Port DH mode register (PMDH)

After reset: FFH R/W Address: FFFFF026H

	7	6	5	4	3	2	1	0
PMDH	1	1	1	PMDH4	PMDH3	PMDH2	PMDH1	PMDH0

PMDHn	I/O mode control (n = 0 to 4)
0	Output mode
1	Input mode

(3) Port DH mode control register (PMCDH)

After reset: 00H R/W Address: FFFFF046H

	7	6	5	4	3	2	1	0
PMCDH	0	0	0	PMCDH4	PMCDH3	PMCDH2	PMCDH1	PMCDH0

PMCDHn	Specification of pin operation (n = 0 to 4)
0	I/O port (PDHn)
1	Ax output (address bus output) (x = 16 to 20)

Caution When specifying the port or alternate function mode on a bit by bit basis, make sure that the address bus output functions normally.

4.3.11 Port DL

Port DL is a 16-bit port for which I/O settings can be controlled in 1-bit units.

Port DL includes the following alternate-function pins.

Table 4-14. Port DL Alternate-Function Pins

Pin No.		Function Name	Alternate Function		Remark	Block Type
GC	F1		Name	I/O		
71	C11	PDL0	AD0	I/O	-	D-3
72	C10	PDL1	AD1	I/O		D-3
73	C9	PDL2	AD2	I/O		D-3
74	B11	PDL3	AD3	I/O		D-3
75	B10	PDL4	AD4	I/O		D-3
76	A10	PDL5	AD5/FLMD ¹ Note	I/O		D-3
77	A9	PDL6	AD6	I/O		D-3
78	B9	PDL7	AD7	I/O		D-3
79	A8	PDL8	AD8	I/O		D-3
80	B8	PDL9	AD9	I/O		D-3
81	C8	PDL10	AD10	I/O		D-3
82	A7	PDL11	AD11	I/O		D-3
83	B7	PDL12	AD12	I/O		D-3
84	C7	PDL13	AD13	I/O		D-3
85	D7	PDL14	AD14	I/O		D-3
86	B6	PDL15	AD15	I/O		D-3

Note Since this pin is set in the flash memory programming mode, it does not need to be manipulated by using the port control register. For details, see **CHAPTER 31 FLASH MEMORY**.

Remark GC: 100-pin plastic LQFP (fine pitch) (14 × 14)
F1: 121-pin plastic FBGA (8 × 8)

(1) Port DL register (PDL)

After reset: 0000H (output latch)	R/W	Address: PDL FFFFF004H, PDLL FFFFF004H, PDLH FFFFF005H
PDL (PDLH)	15 14 13 12 11 10 9 8	PDL15 PDL14 PDL13 PDL12 PDL11 PDL10 PDL9 PDL8
(PDLL)	7 6 5 4 3 2 1 0	PDL7 PDL6 PDL5 PDL4 PDL3 PDL2 PDL1 PDL0
PDLn	Output data control (in output mode) (n = 0 to 15)	
0	Outputs 0	
1	Outputs 1	

Remarks

1. The PDL register can be read or written in 16-bit units.
However, when using the higher 8 bits of the PDL register as the PDLH register and the lower 8 bits as the PDLL register, PDL can be read or written in 8-bit or 1-bit units.
2. To read/write bits 8 to 15 of the PDL register in 8-bit or 1-bit units, specify them as bits 0 to 7 of the PDLH register.

(2) Port DL mode register (PMDL)

After reset: FFFFH	R/W	Address: PMDL FFFFF024H, PMDLL FFFFF024H, PMDLH FFFFF025H
PMDL (PMDLH)	15 14 13 12 11 10 9 8	PMDL15 PMDL14 PMDL13 PMDL12 PMDL11 PMDL10 PMDL9 PMDL8
(PMDLL)	7 6 5 4 3 2 1 0	PMDL7 PMDL6 PMDL5 PMDL4 PMDL3 PMDL2 PMDL1 PMDL0
PMDLn	I/O mode control (n = 0 to 15)	
0	Output mode	
1	Input mode	

Remarks

1. The PMDL register can be read or written in 16-bit units.
However, when using the higher 8 bits of the PMDL register as the PMDLH register and the lower 8 bits as the PMDLL register, PMDL can be read or written in 8-bit or 1-bit units.
2. To read/write bits 8 to 15 of the PMDL register in 8-bit or 1-bit units, specify them as bits 0 to 7 of the PMDLH register.

(3) Port DL mode control register (PMCDL)

After reset: 0000H R/W Address: PMCDL FFFF044H,
 PMCDLL FFFF044H, PMCDLH FFFF045H

	15	14	13	12	11	10	9	8
PMCDL (PMCDLH)	PMCDL15	PMCDL14	PMCDL13	PMCDL12	PMCDL11	PMCDL10	PMCDL9	PMCDL8
	7	6	5	4	3	2	1	0
(PMCDLL)	PMCDL7	PMCDL6	PMCDL5	PMCDL4	PMCDL3	PMCDL2	PMCDL1	PMCDL0

PMCDLn	Specification of pin operation (n = 0 to 15)
0	I/O port (PDLn)
1	ADn I/O (address/data bus I/O)

Cautions

1. When the BS30 to BS00 bits of the BSC register = 0 (8-bit bus width), do not specify the AD8 to AD15 pins.
2. When specifying the port or ADn I/O mode on a bit by bit basis, specify the mode in accordance with the external memory used.

Remarks

1. The PMCDL register can be read or written in 16-bit units.
 However, when using the higher 8 bits of the PMCDL register as the PMCDLH register and the lower 8 bits as the PMCDLL register, PMCDL can be read or written in 8-bit or 1-bit units.
2. To read/write bits 8 to 15 of the PMCDL register in 8-bit or 1-bit units, specify them as bits 0 to 7 of the PMCDLH register.

4.4 Block Diagrams

Figure 4-3. Block Diagram of Type A-1

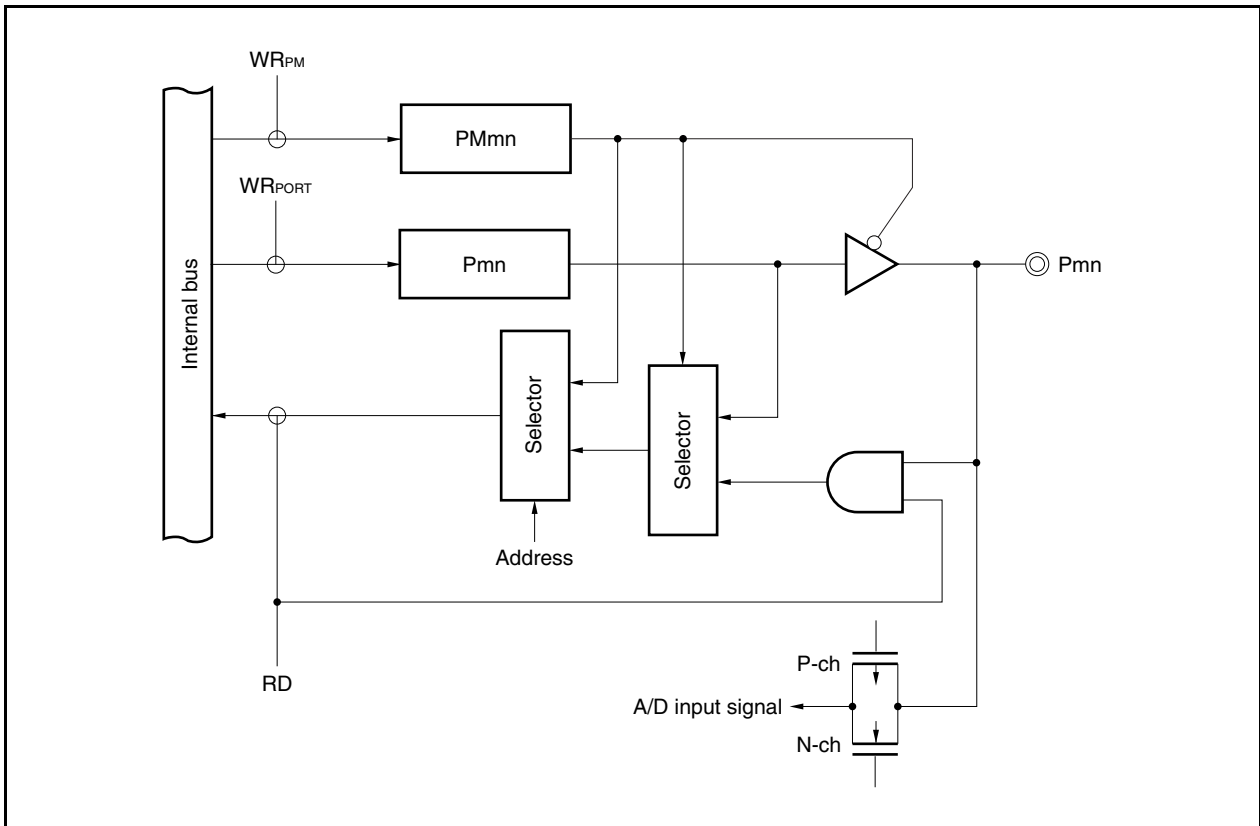


Figure 4-4. Block Diagram of Type A-2

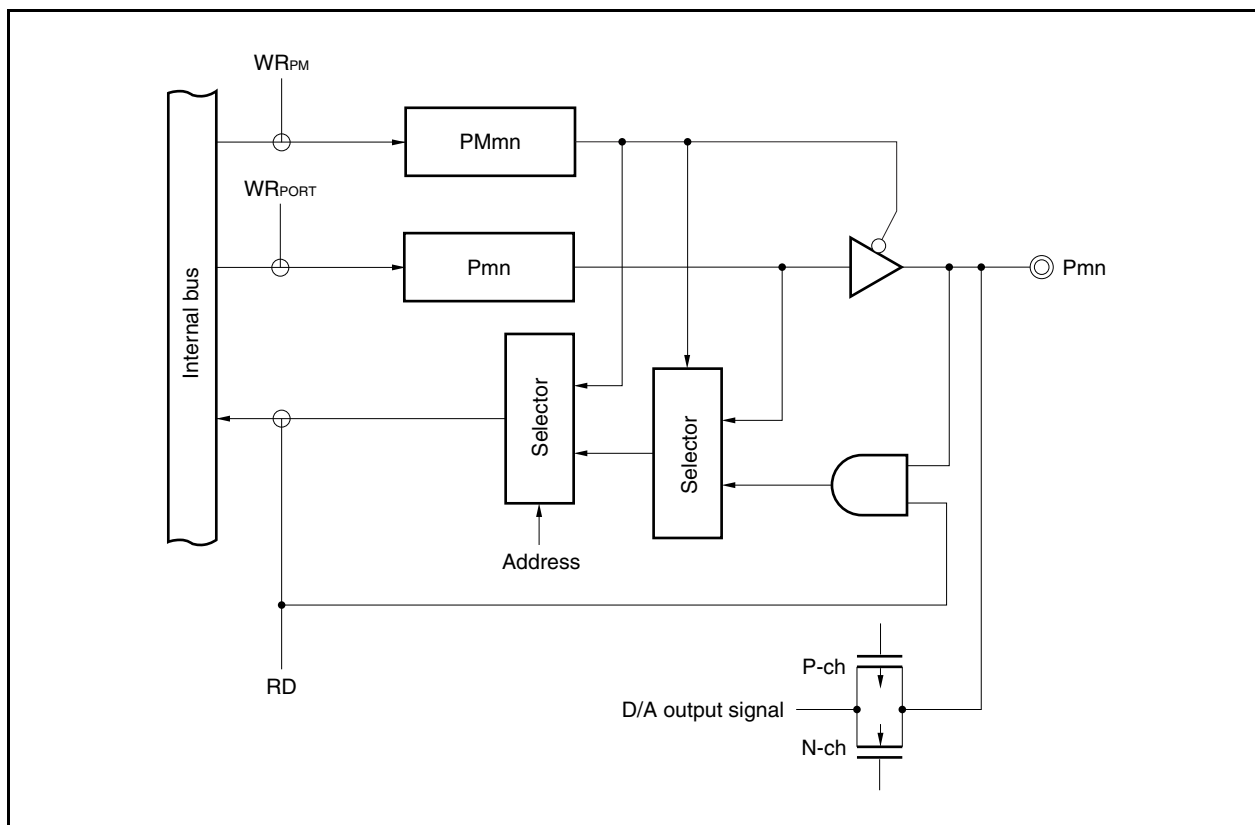


Figure 4-5. Block Diagram of Type C-1

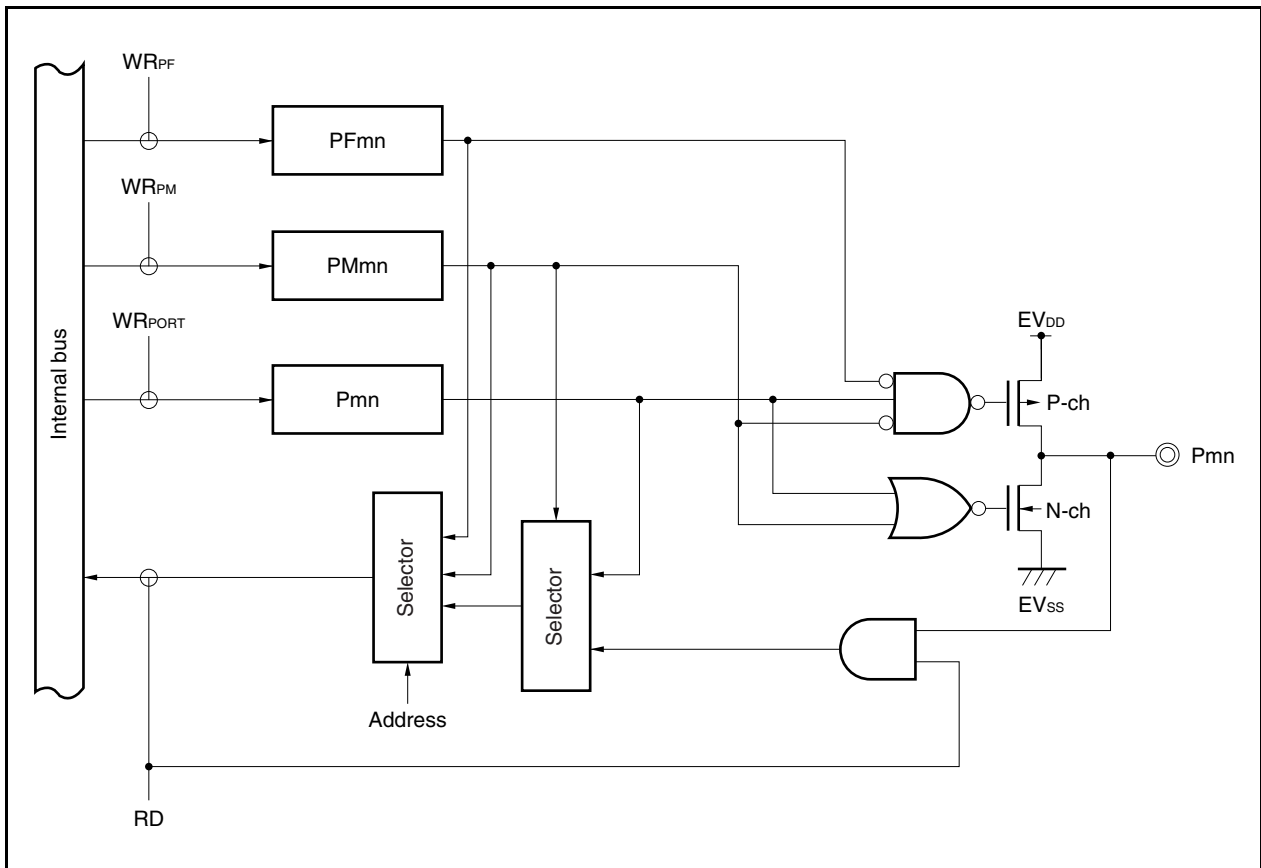


Figure 4-6. Block Diagram of Type D-1

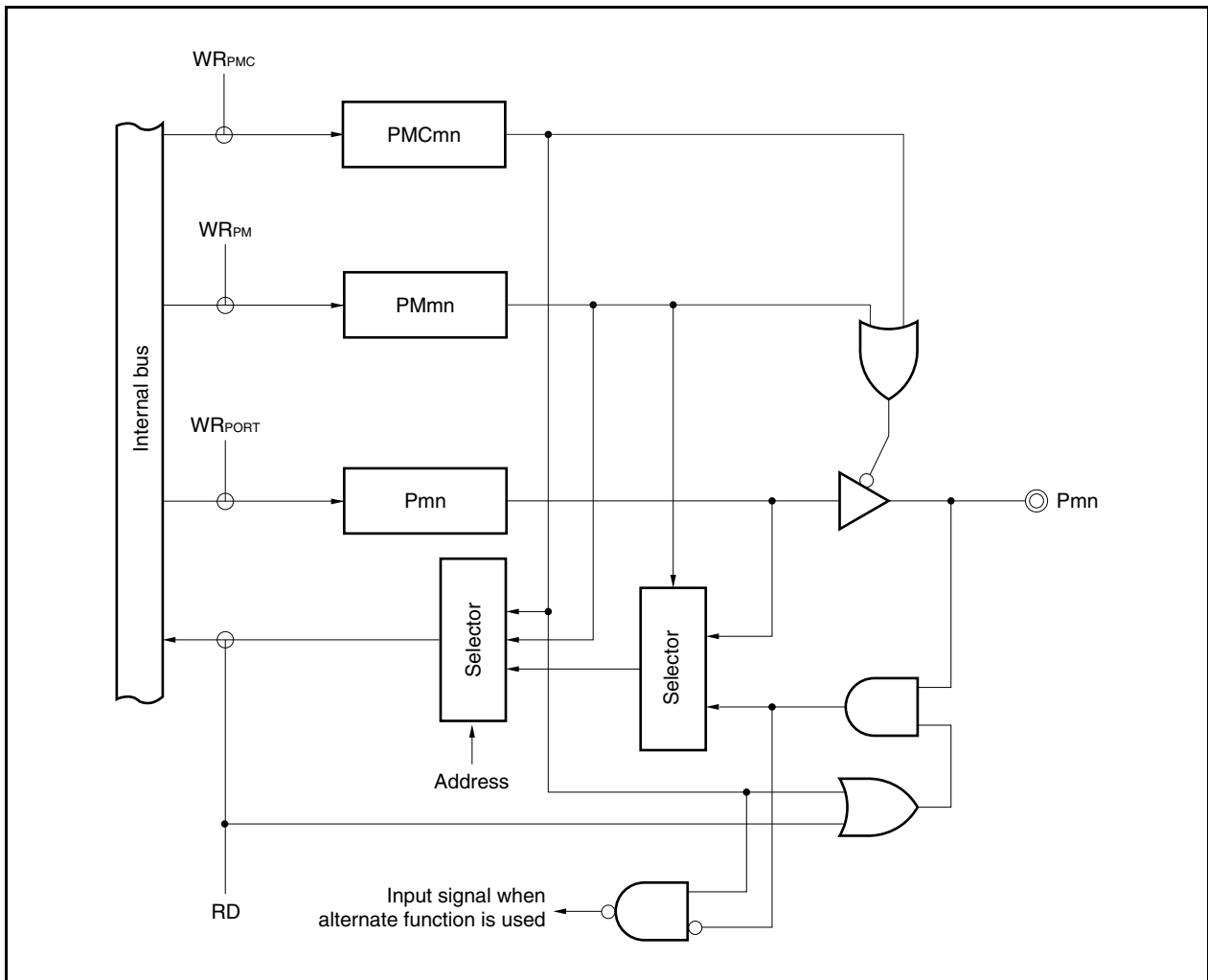


Figure 4-7. Block Diagram of Type D-2

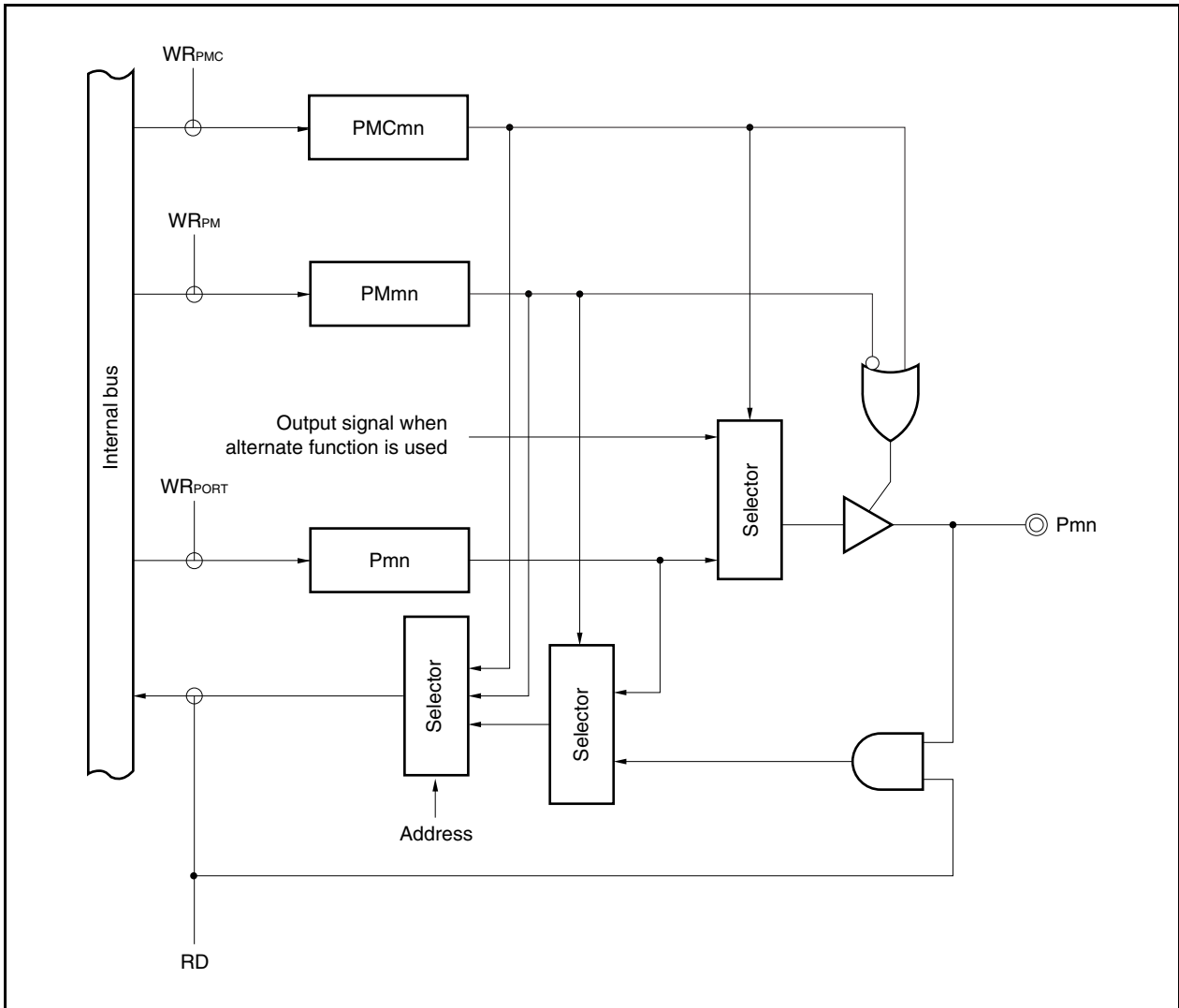


Figure 4-8. Block Diagram of Type D-3

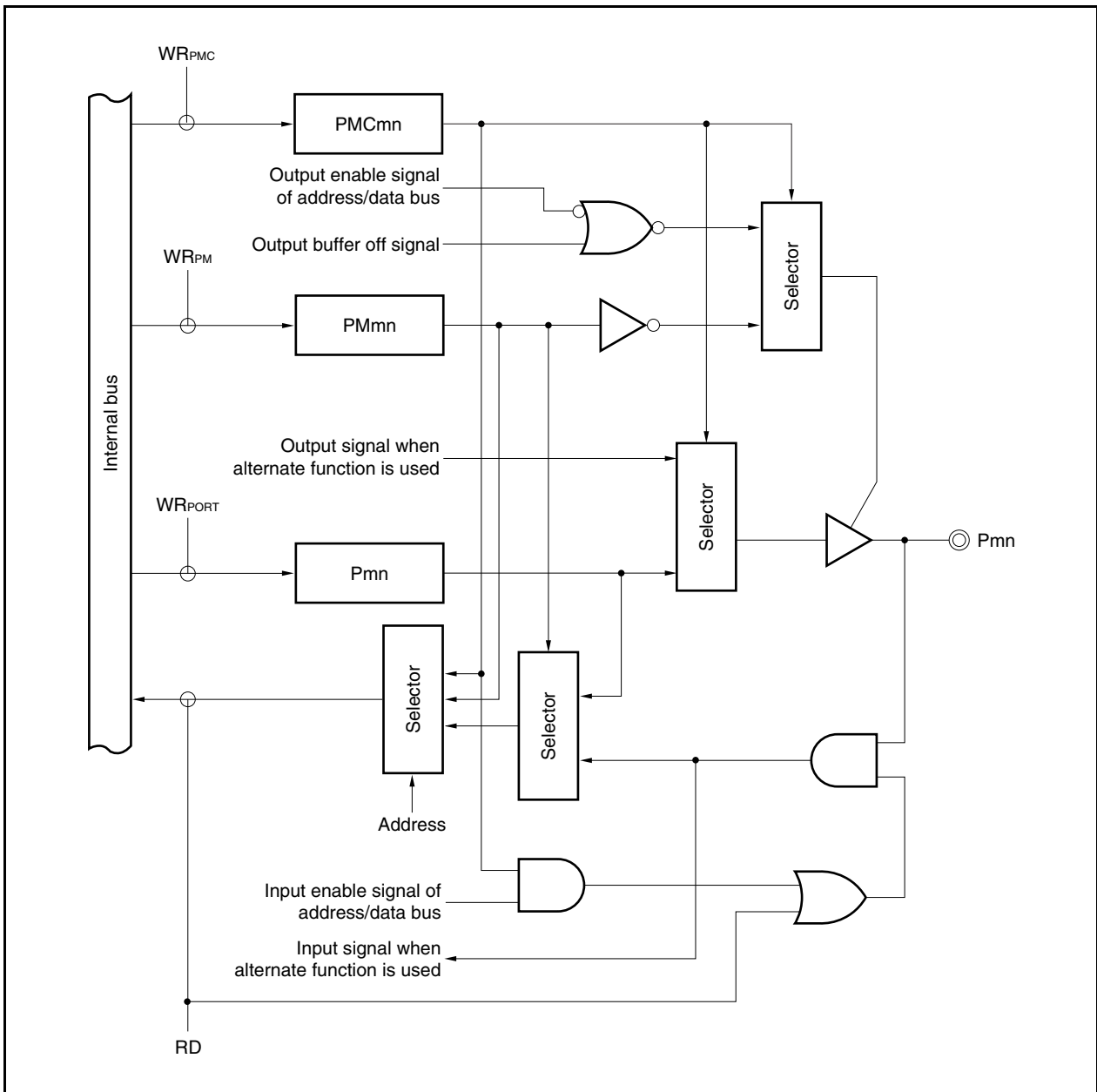
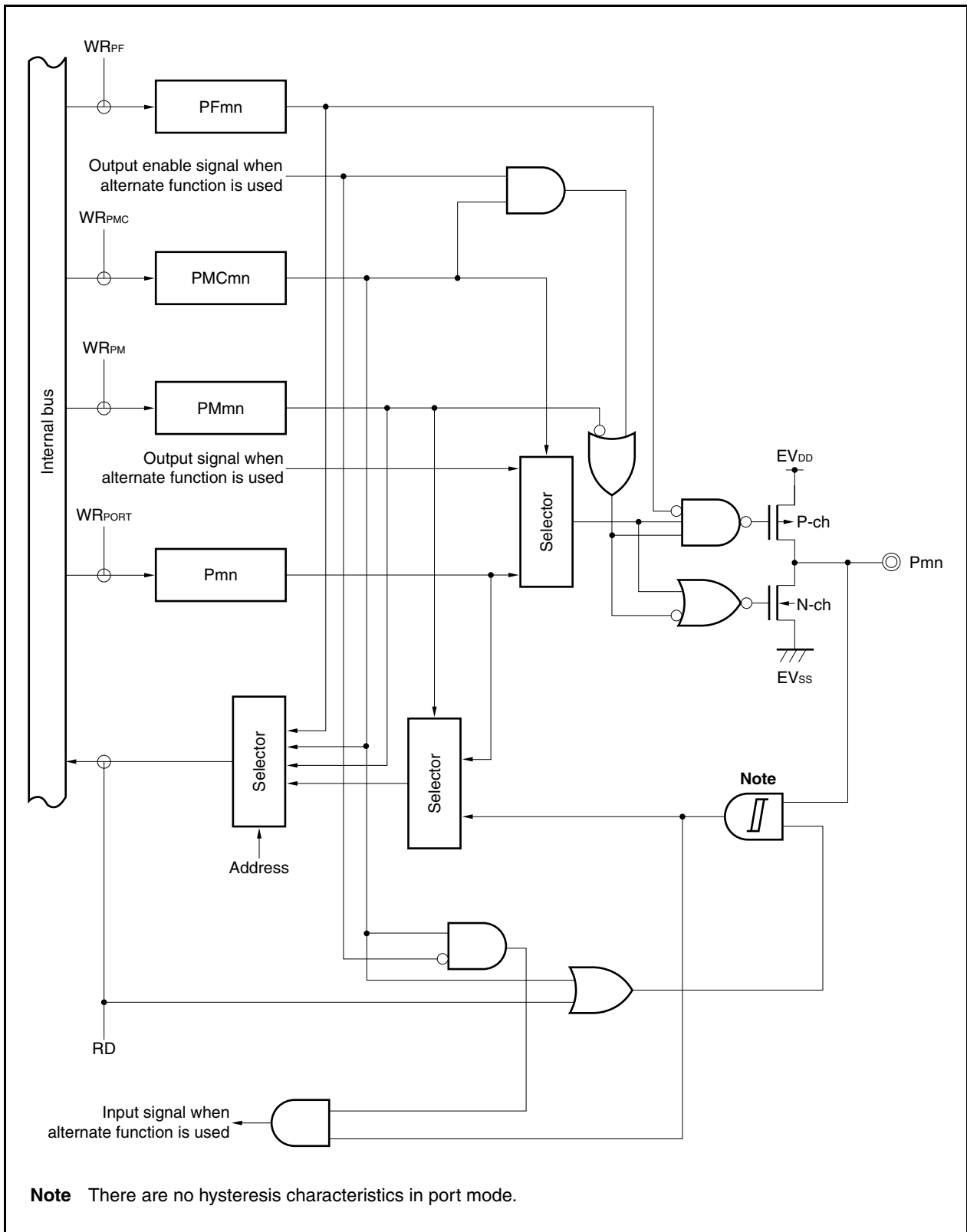


Figure 4-9. Block Diagram of Type E-3



Note There are no hysteresis characteristics in port mode.

Figure 4-10. Block Diagram of Type G-1

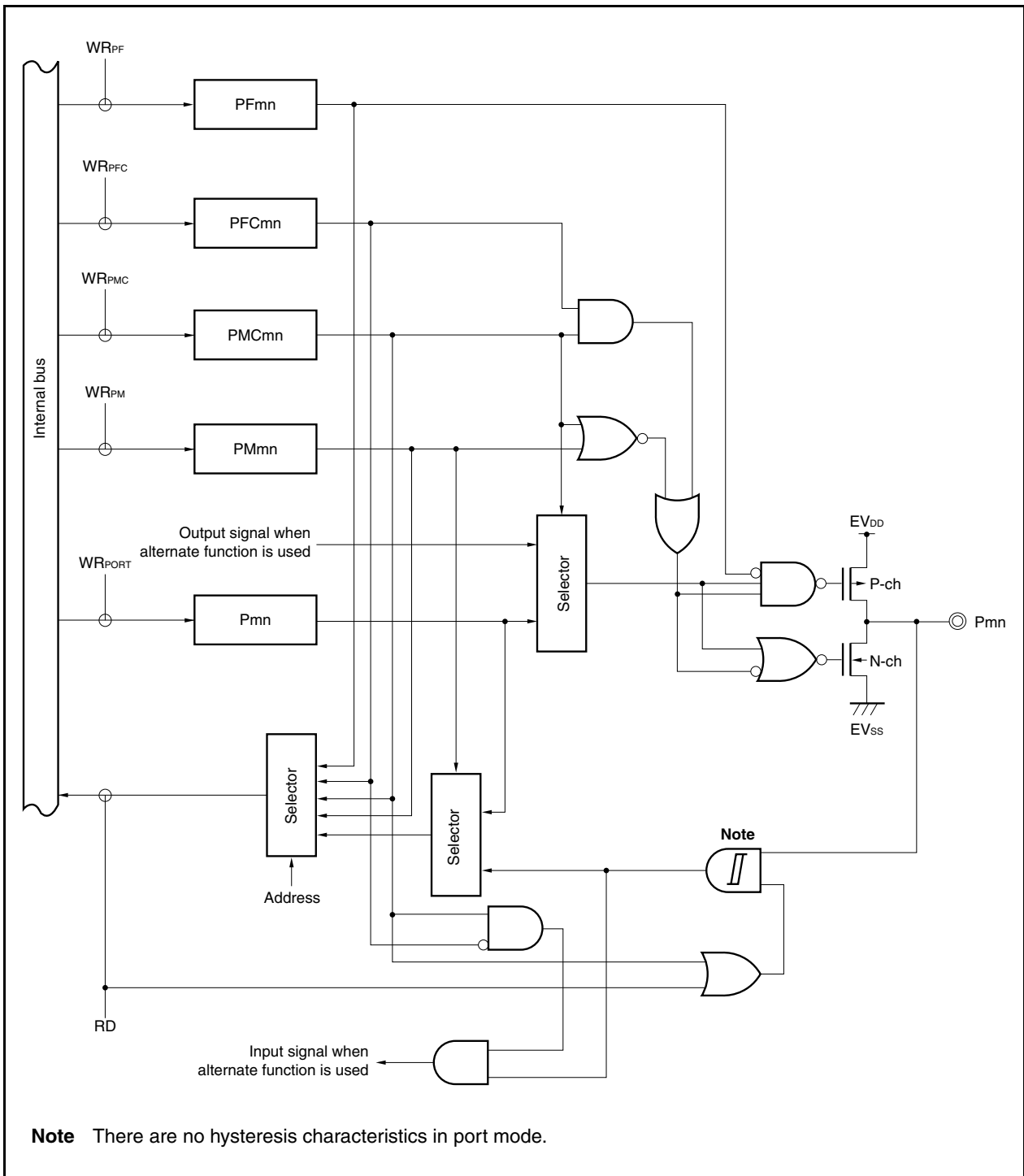


Figure 4-11. Block Diagram of Type G-2

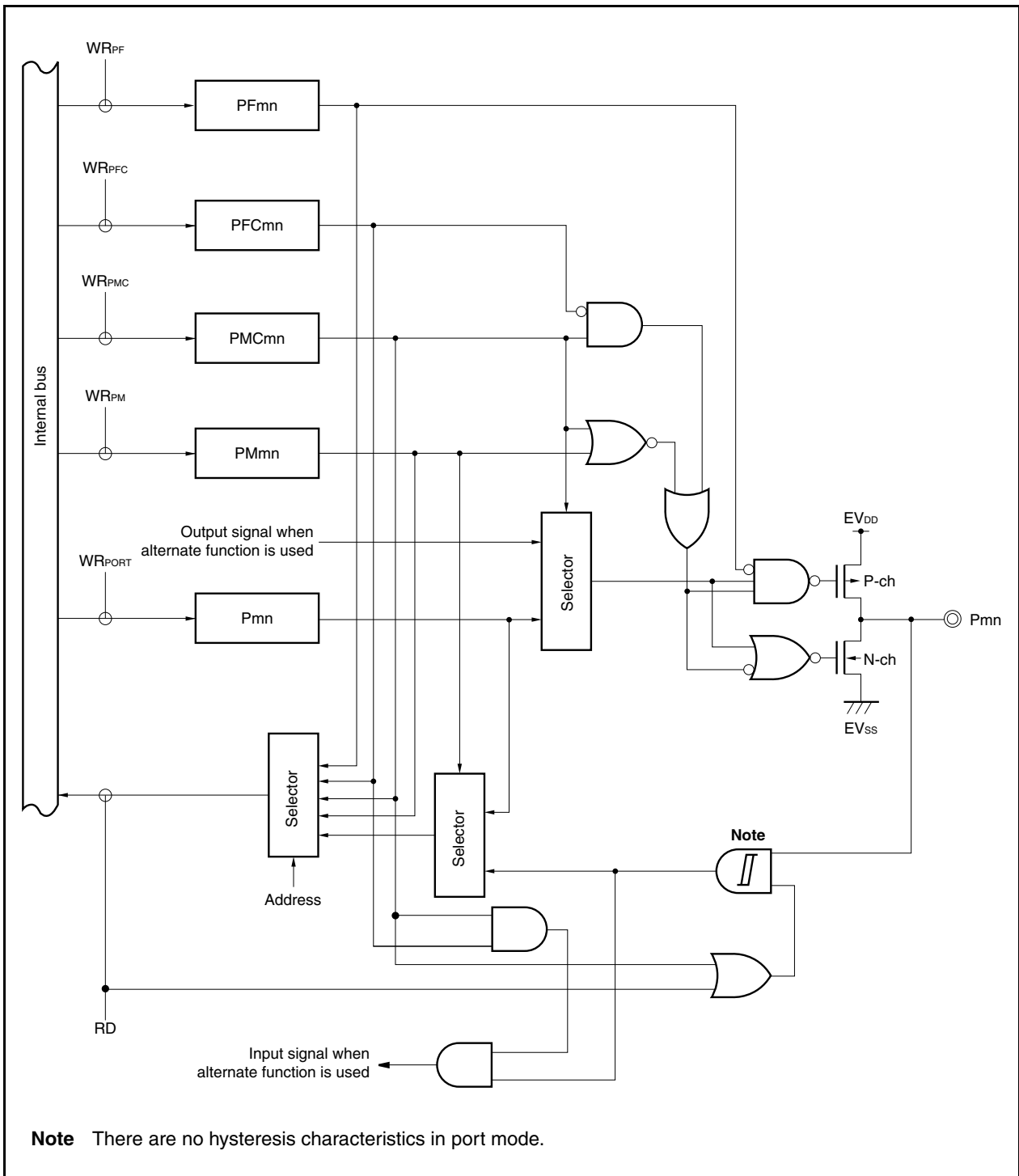


Figure 4-12. Block Diagram of Type G-3

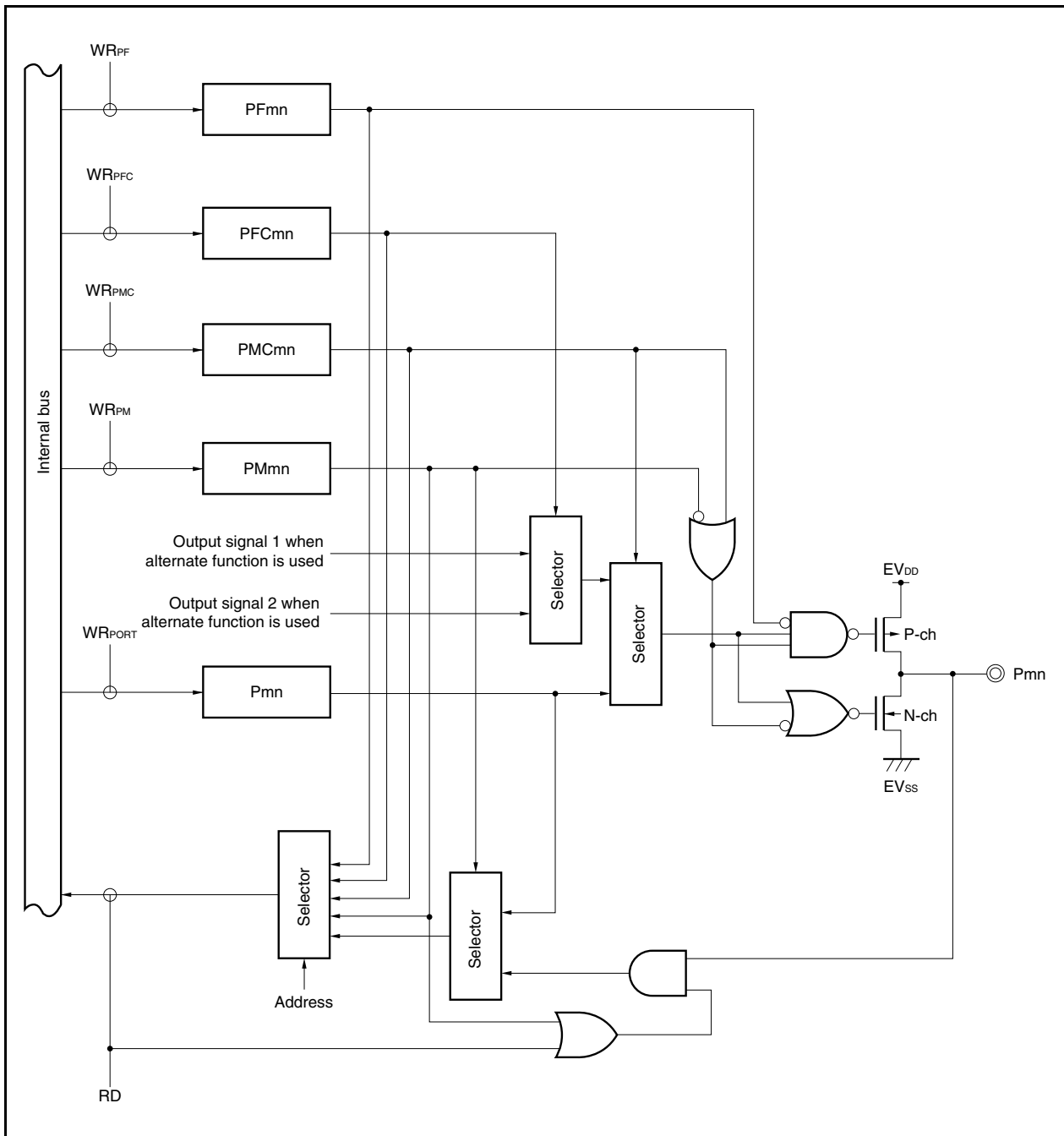


Figure 4-13. Block Diagram of Type G-5

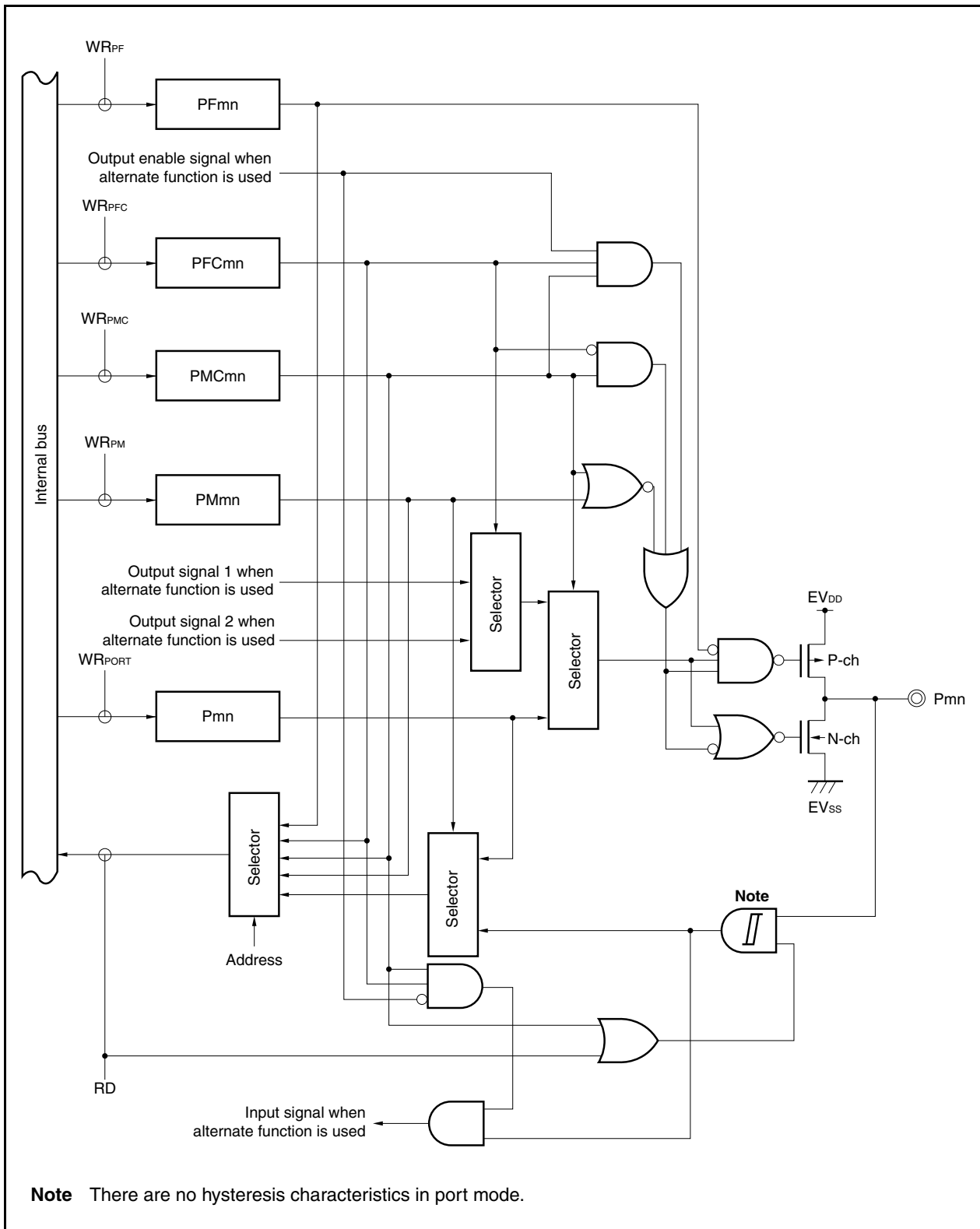


Figure 4-14. Block Diagram of Type G-6

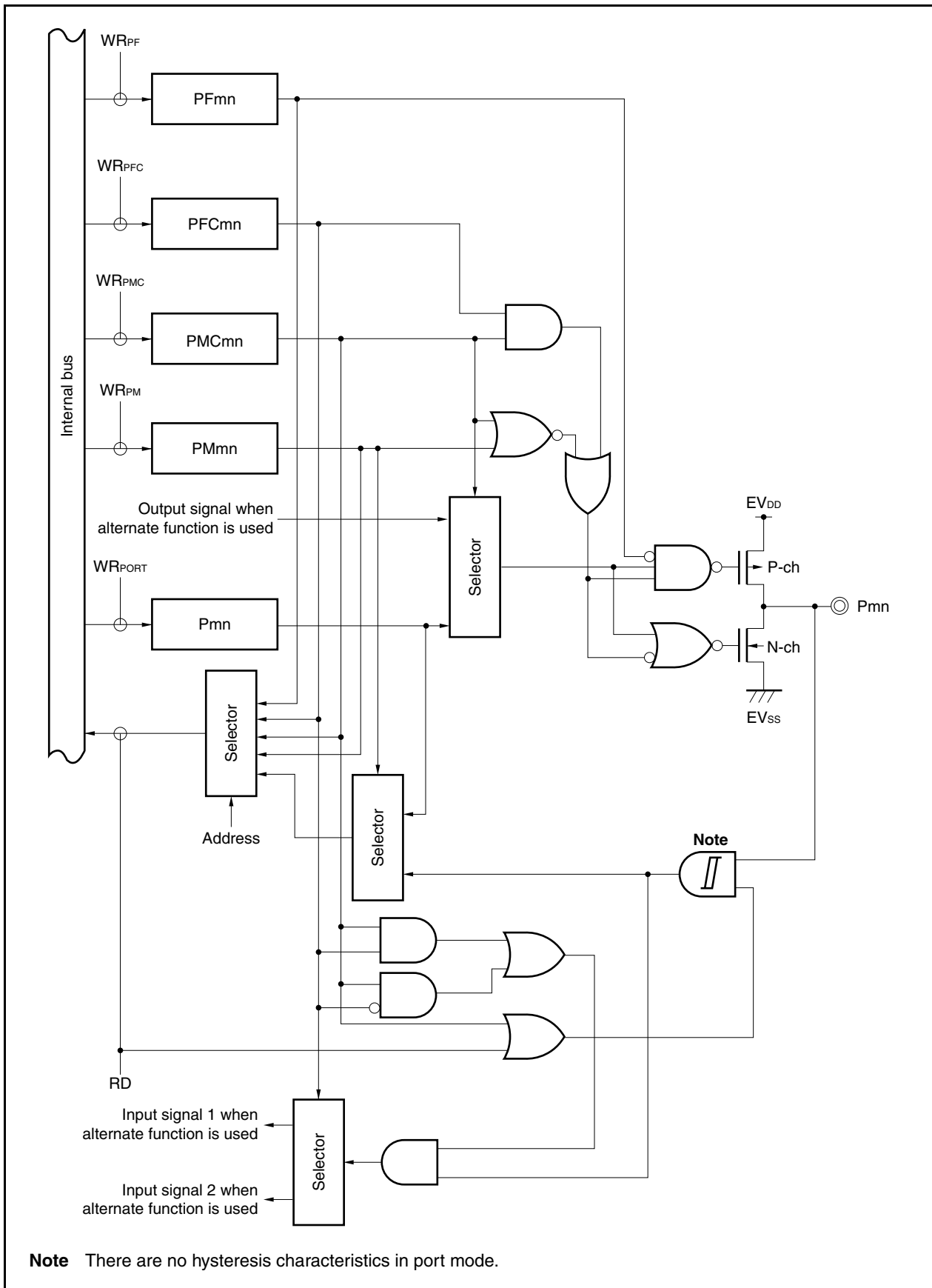


Figure 4-15. Block Diagram of Type G-12

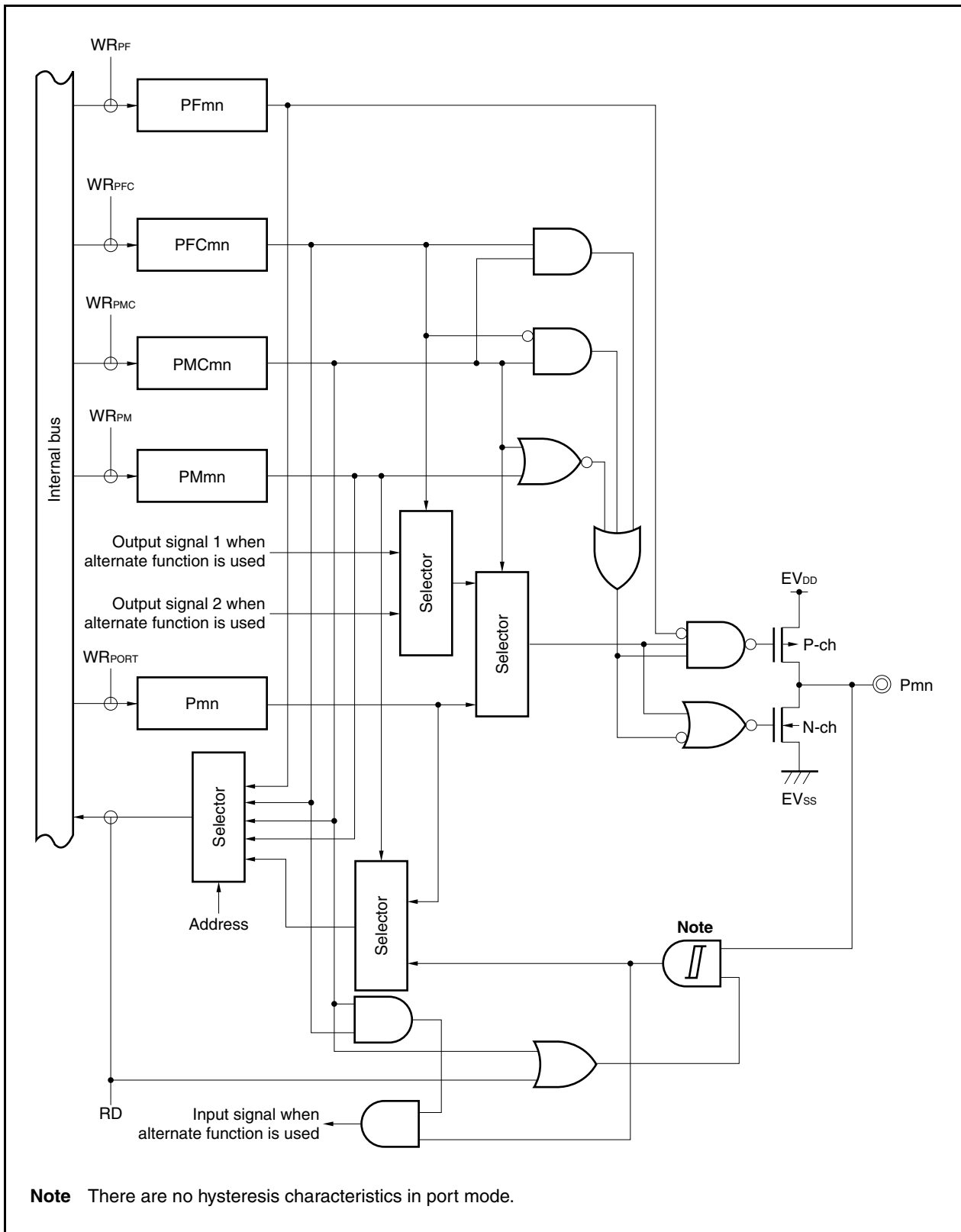


Figure 4-16. Block Diagram of Type L-1

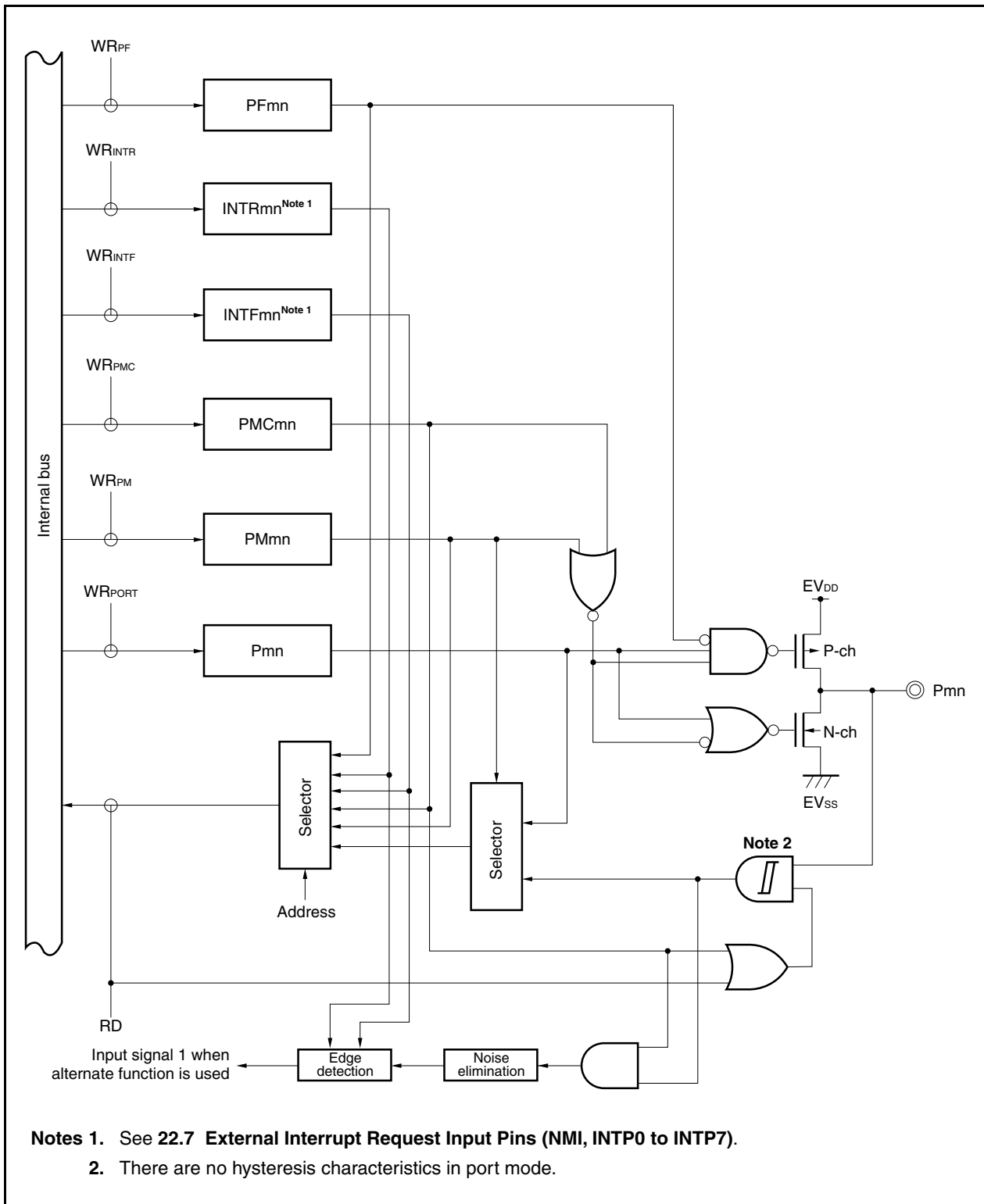


Figure 4-17. Block Diagram of Type N-1

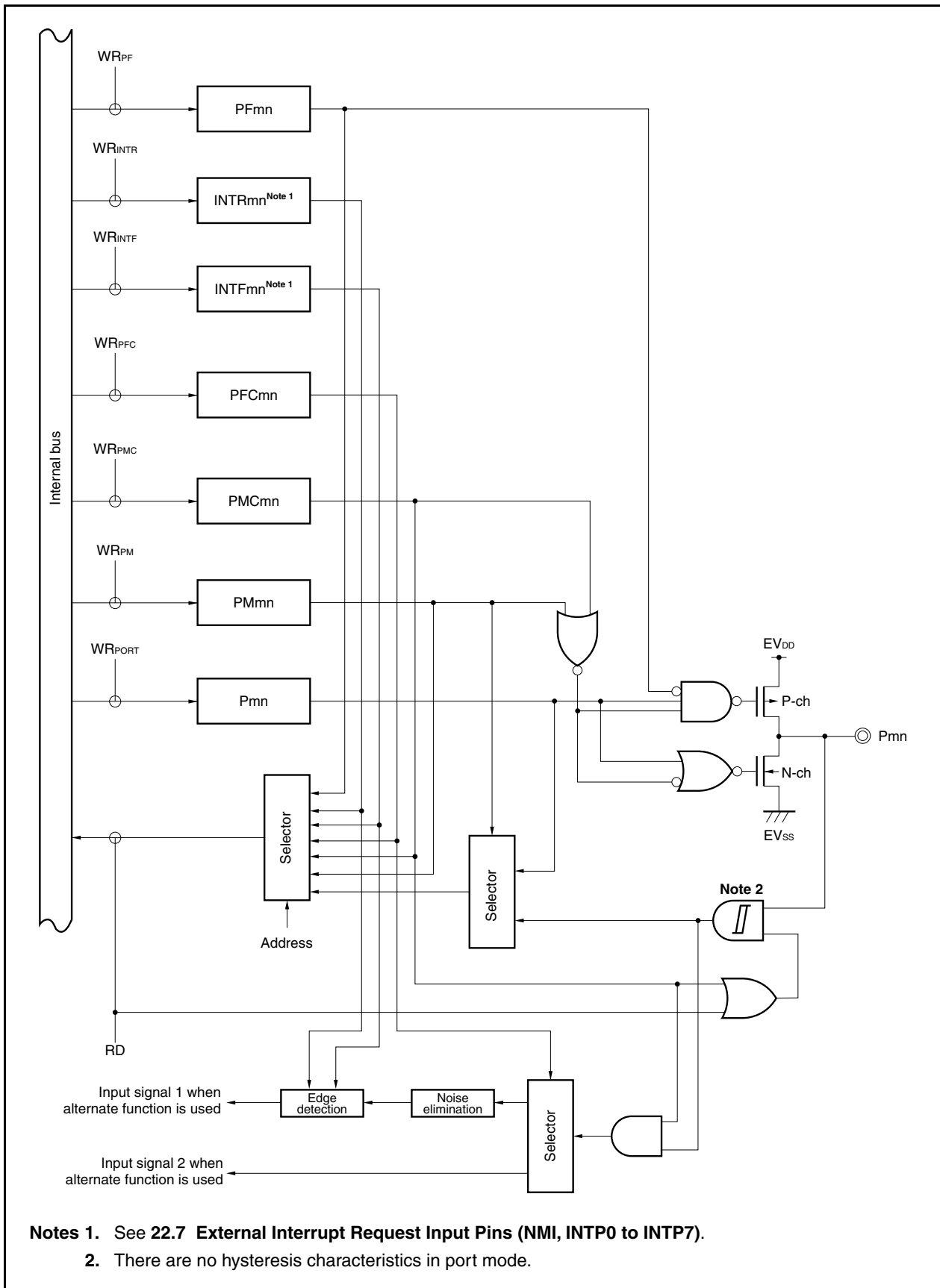
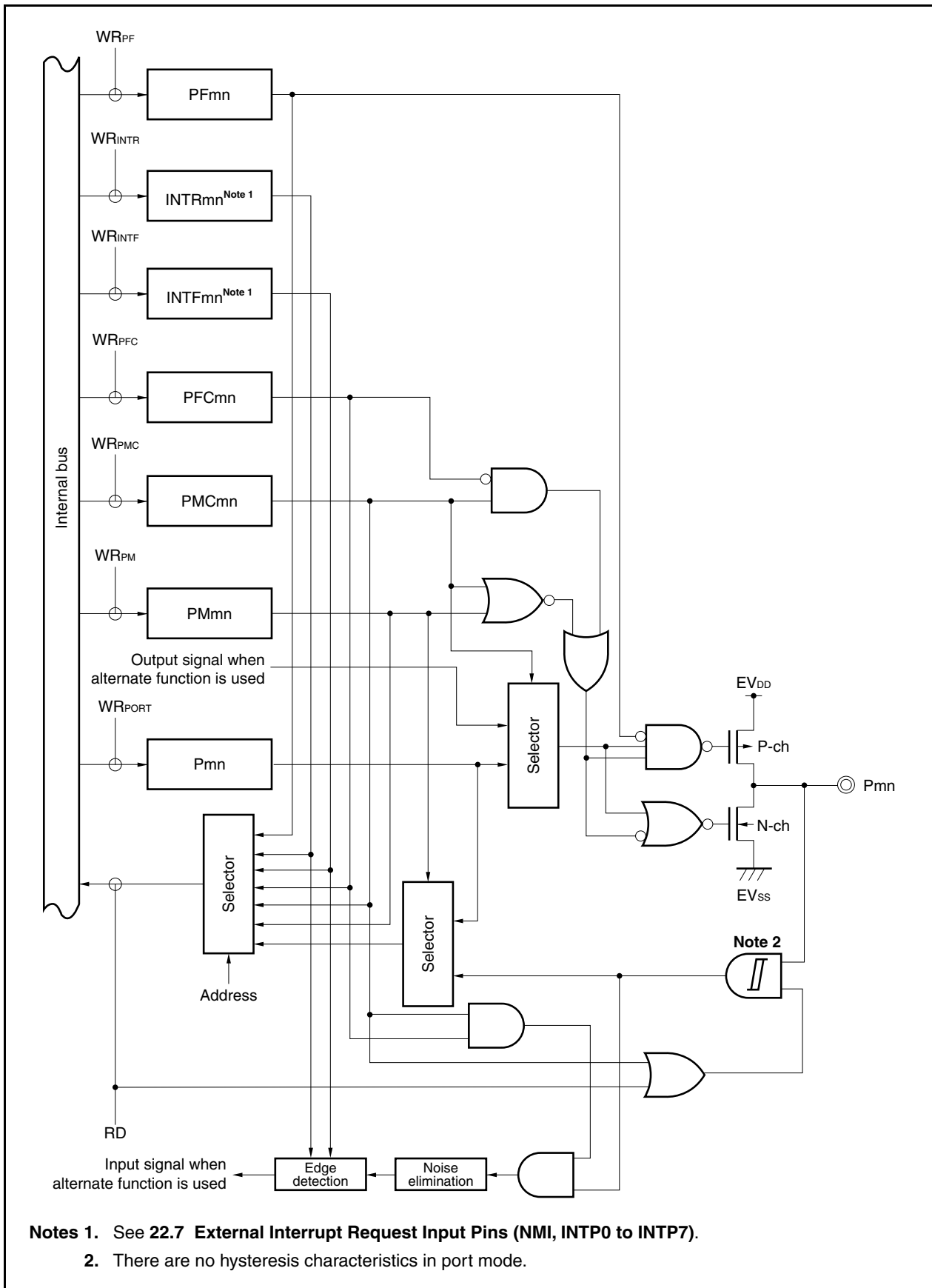


Figure 4-18. Block Diagram of Type N-2



- Notes 1. See 22.7 External Interrupt Request Input Pins (NMI, INTP0 to INTP7).
- 2. There are no hysteresis characteristics in port mode.

Figure 4-19. Block Diagram of Type N-3

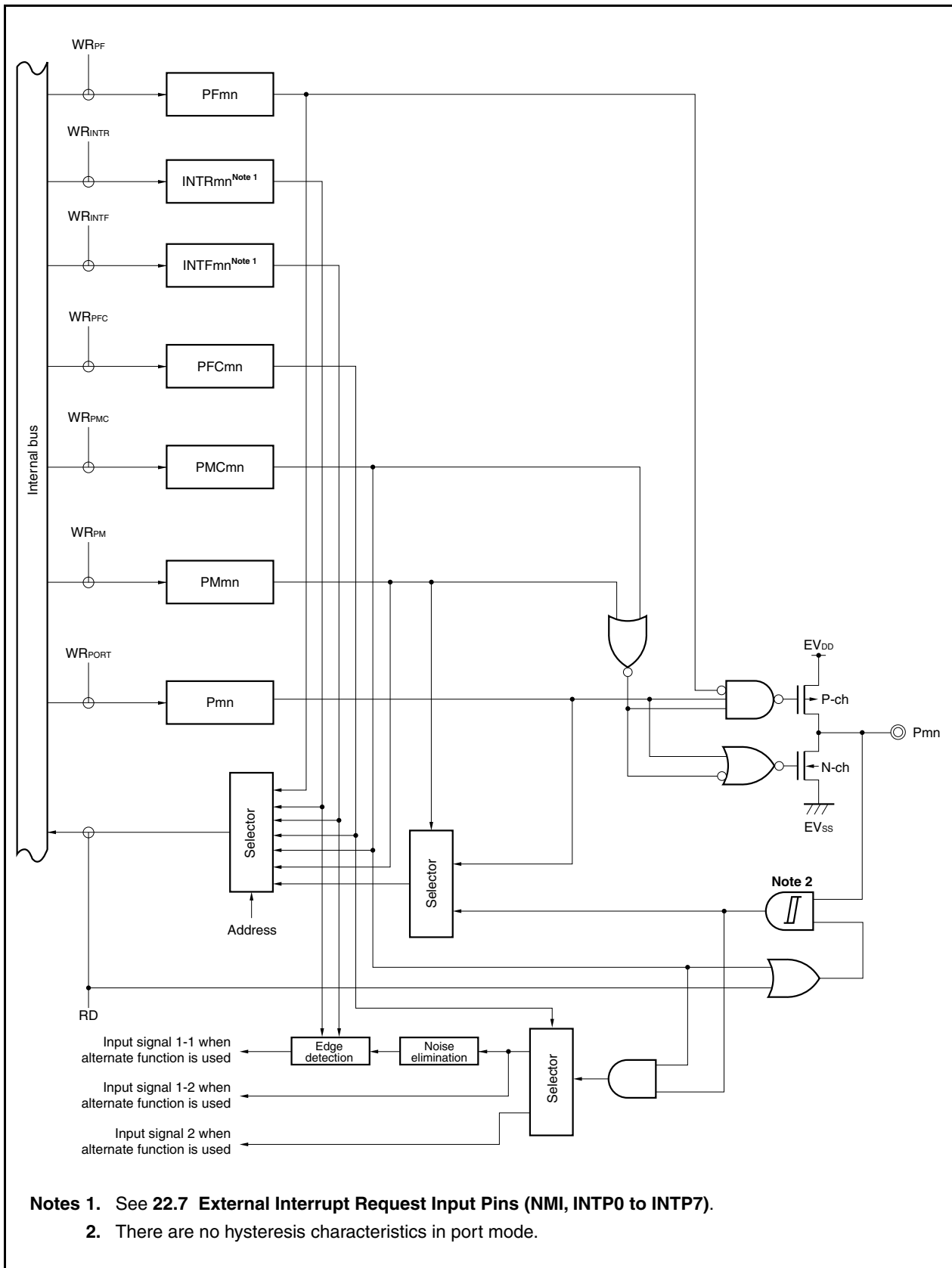


Figure 4-20. Block Diagram of Type U-1

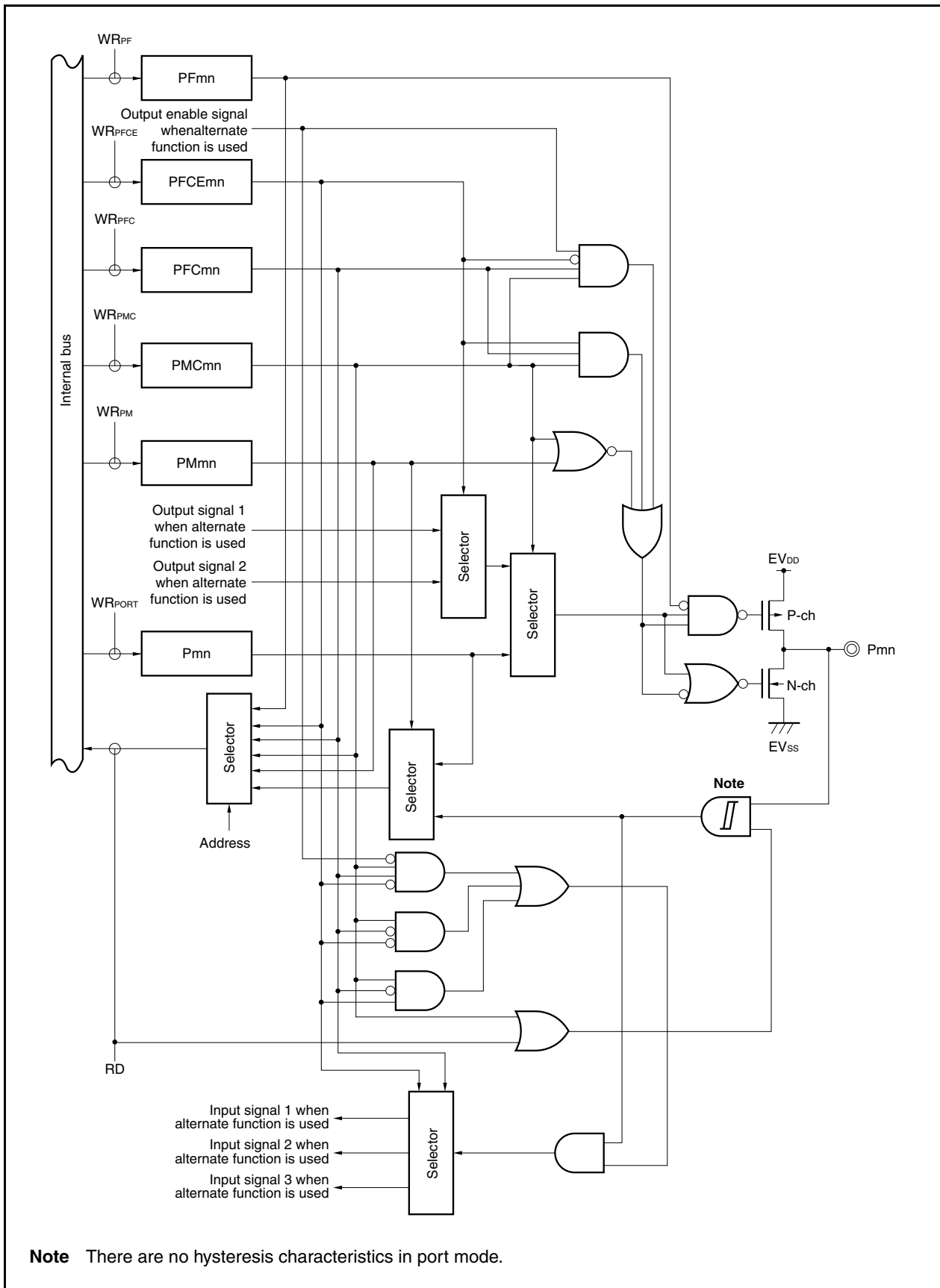


Figure 4-21. Block Diagram of Type U-5

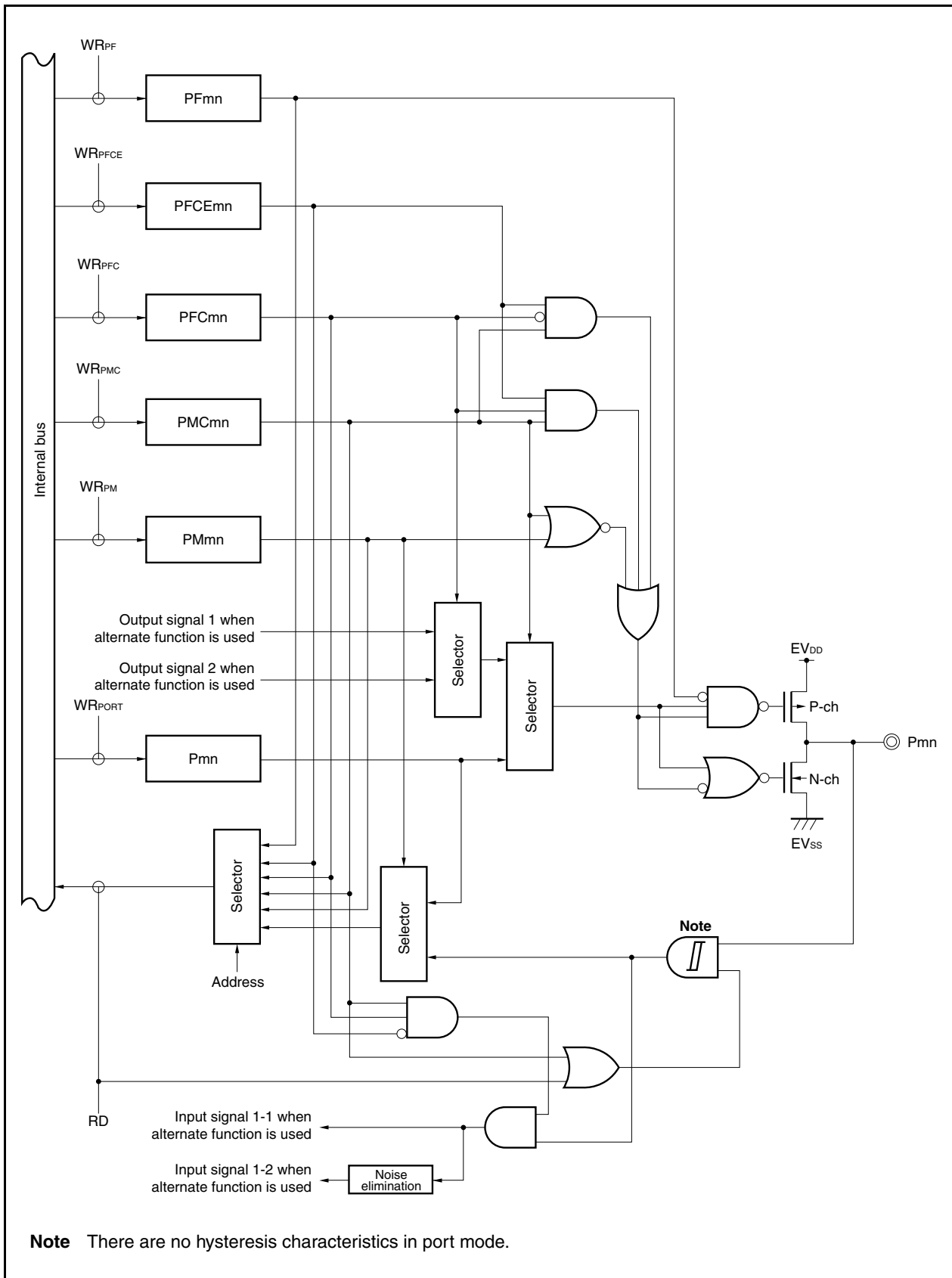


Figure 4-22. Block Diagram of Type U-6

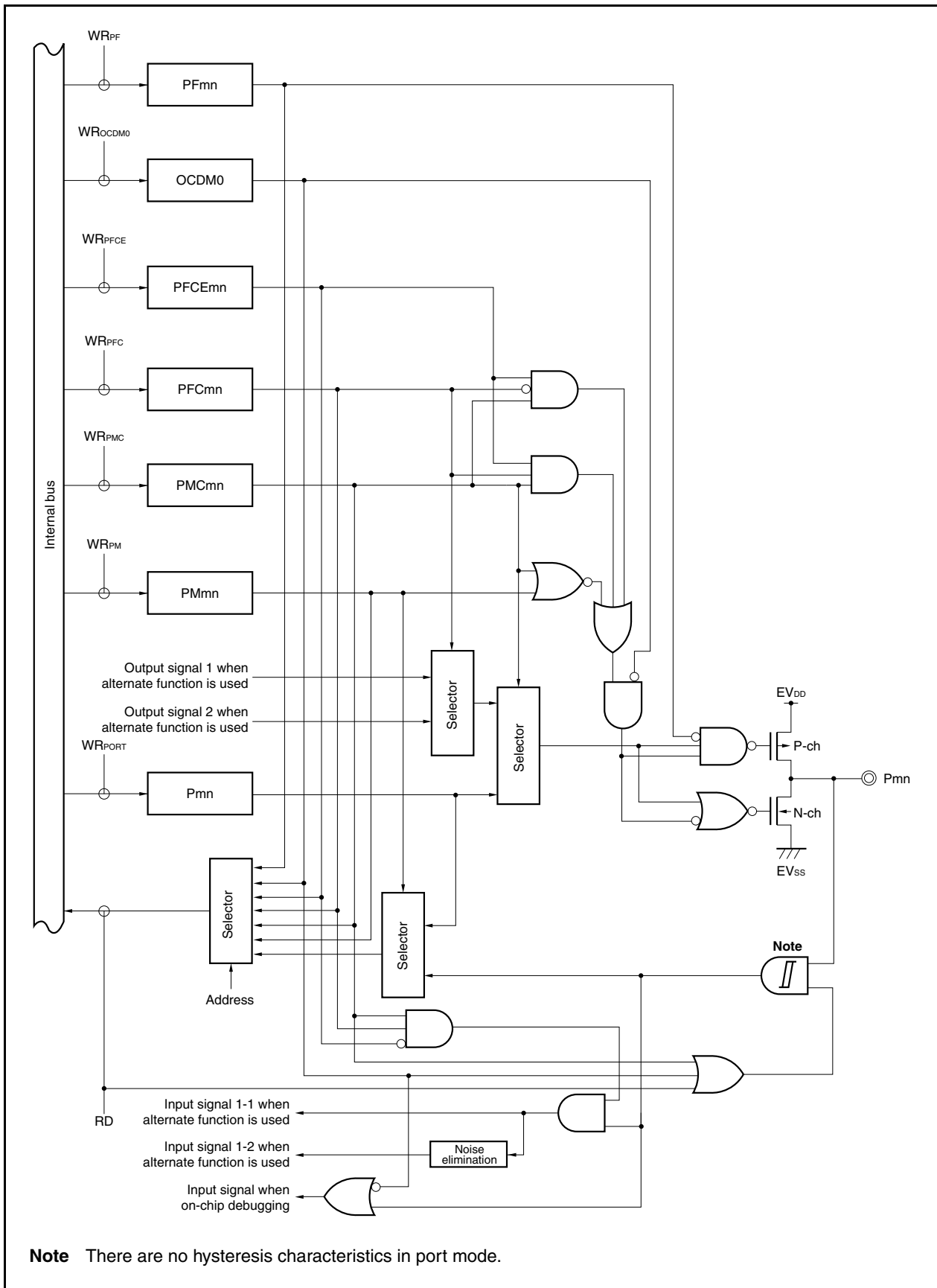


Figure 4-23. Block Diagram of Type U-7

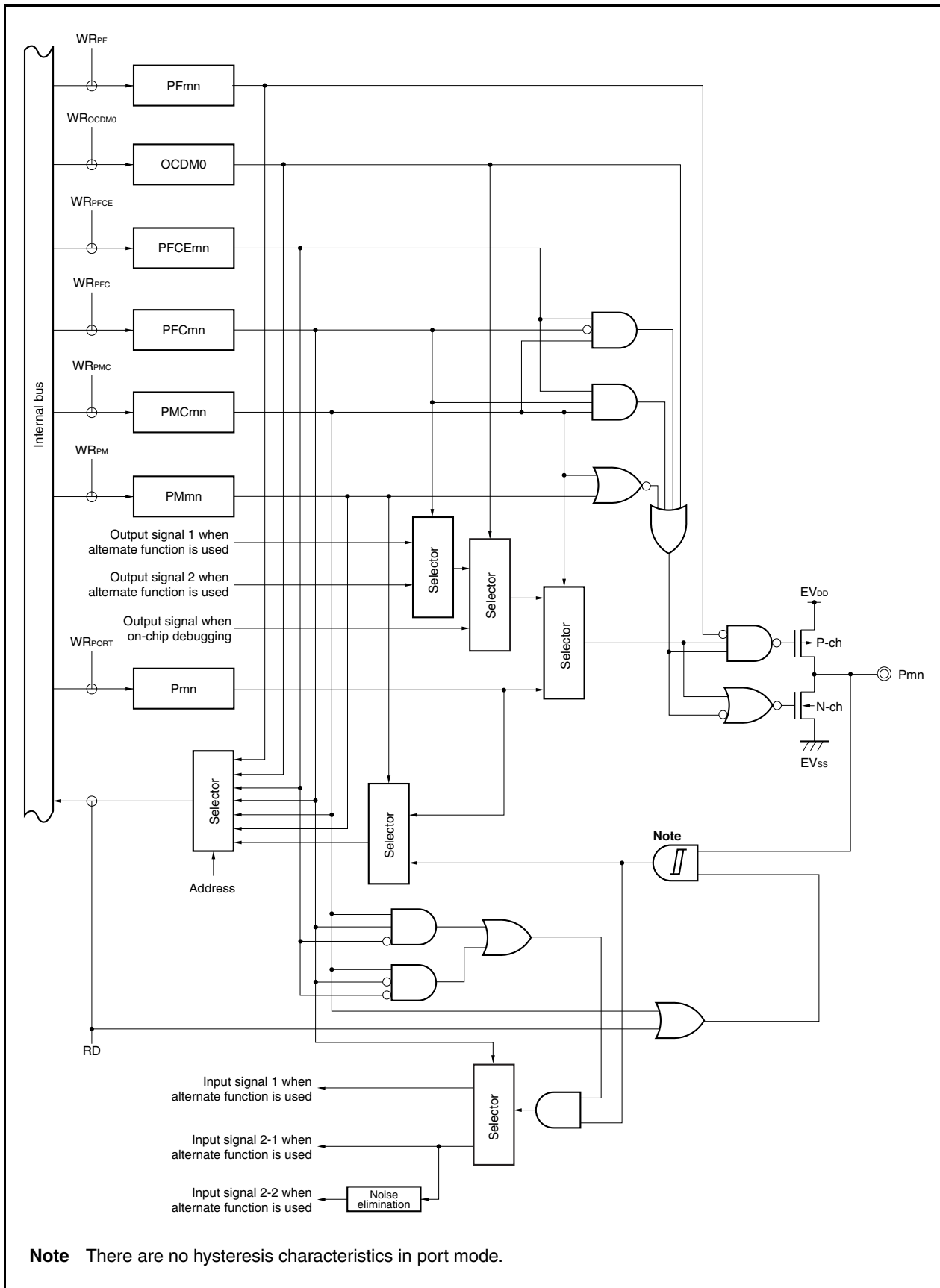


Figure 4-24. Block Diagram of Type U-8

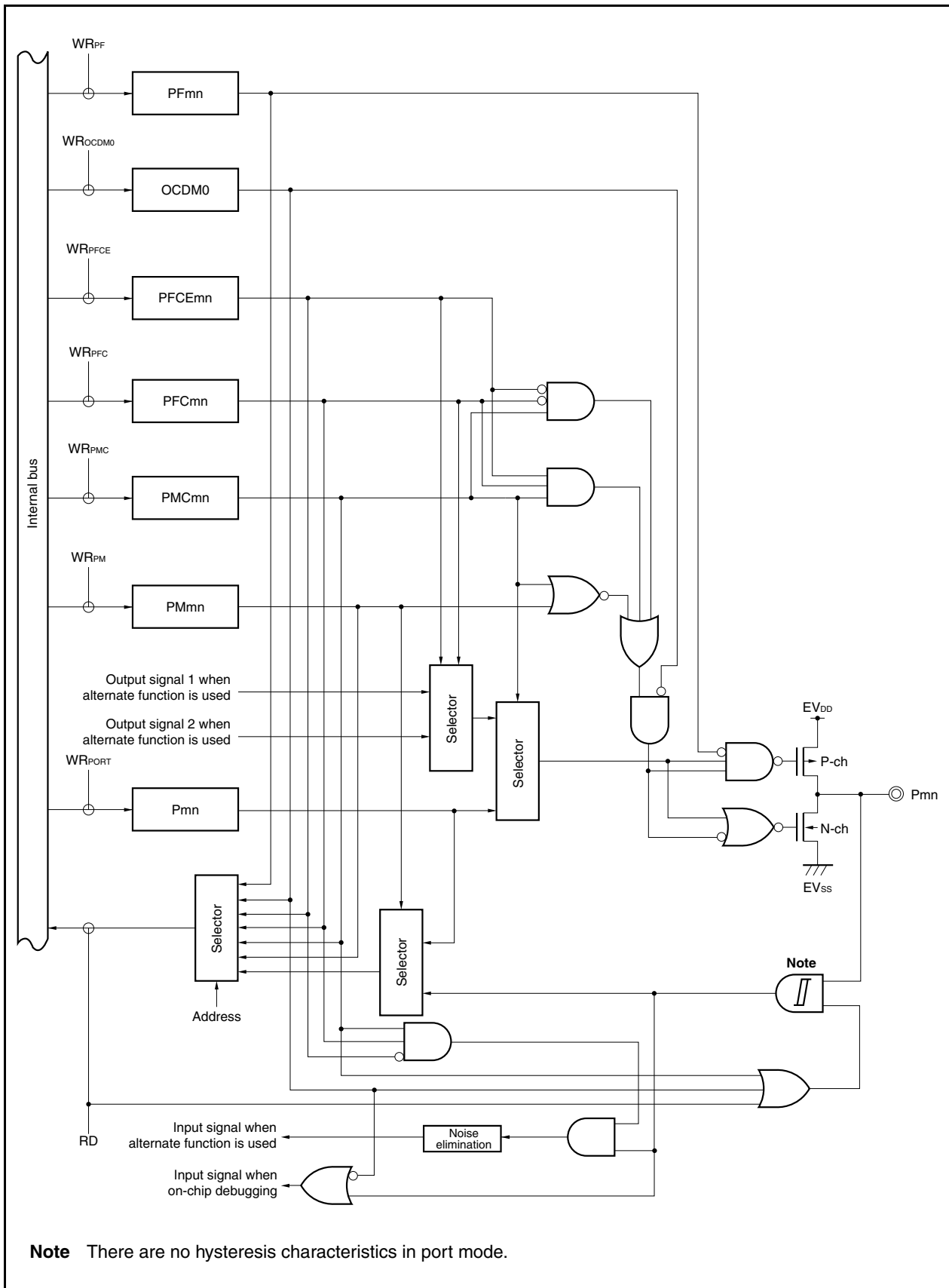


Figure 4-25. Block Diagram of Type U-9

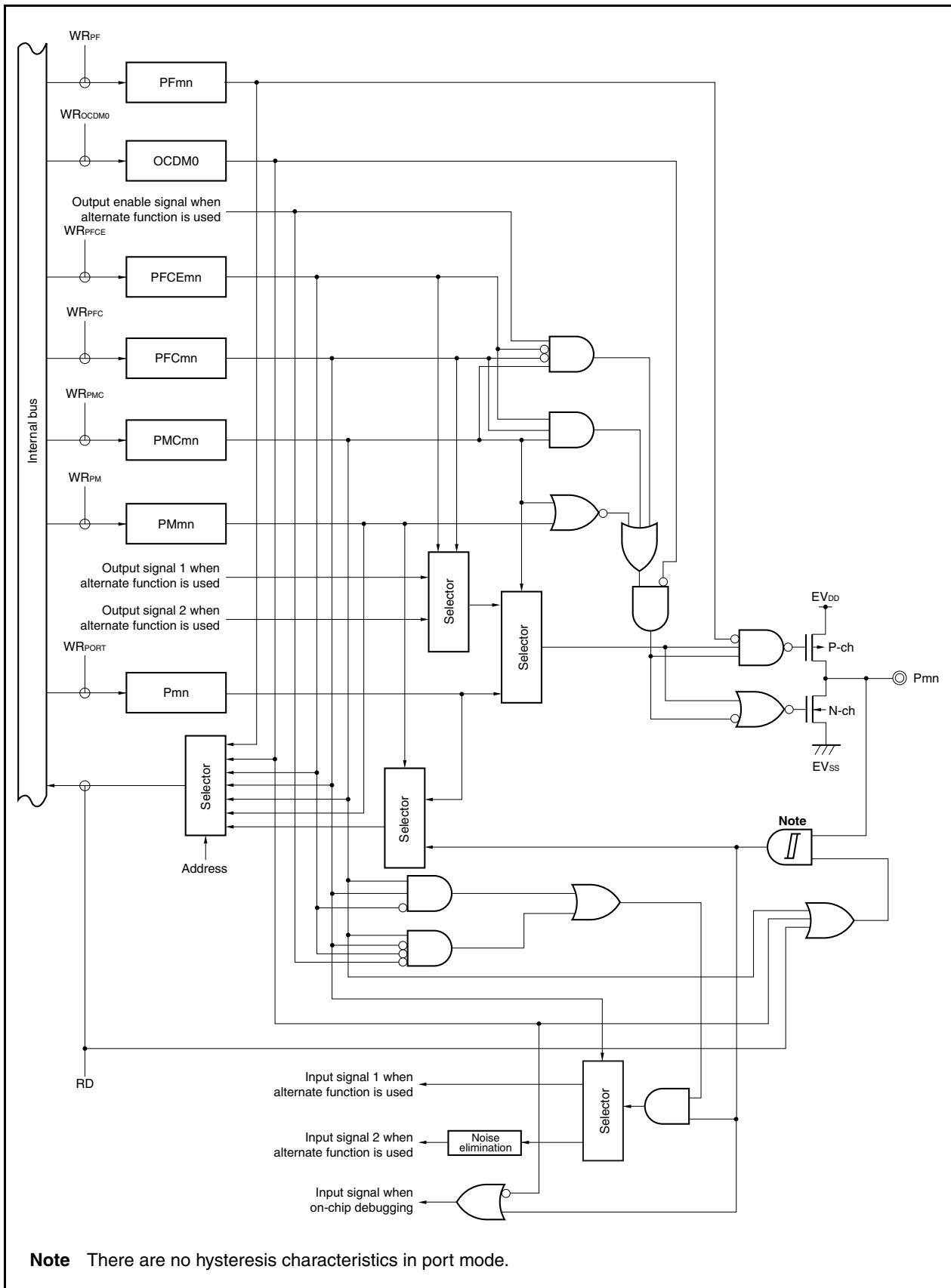


Figure 4-26. Block Diagram of Type U-10

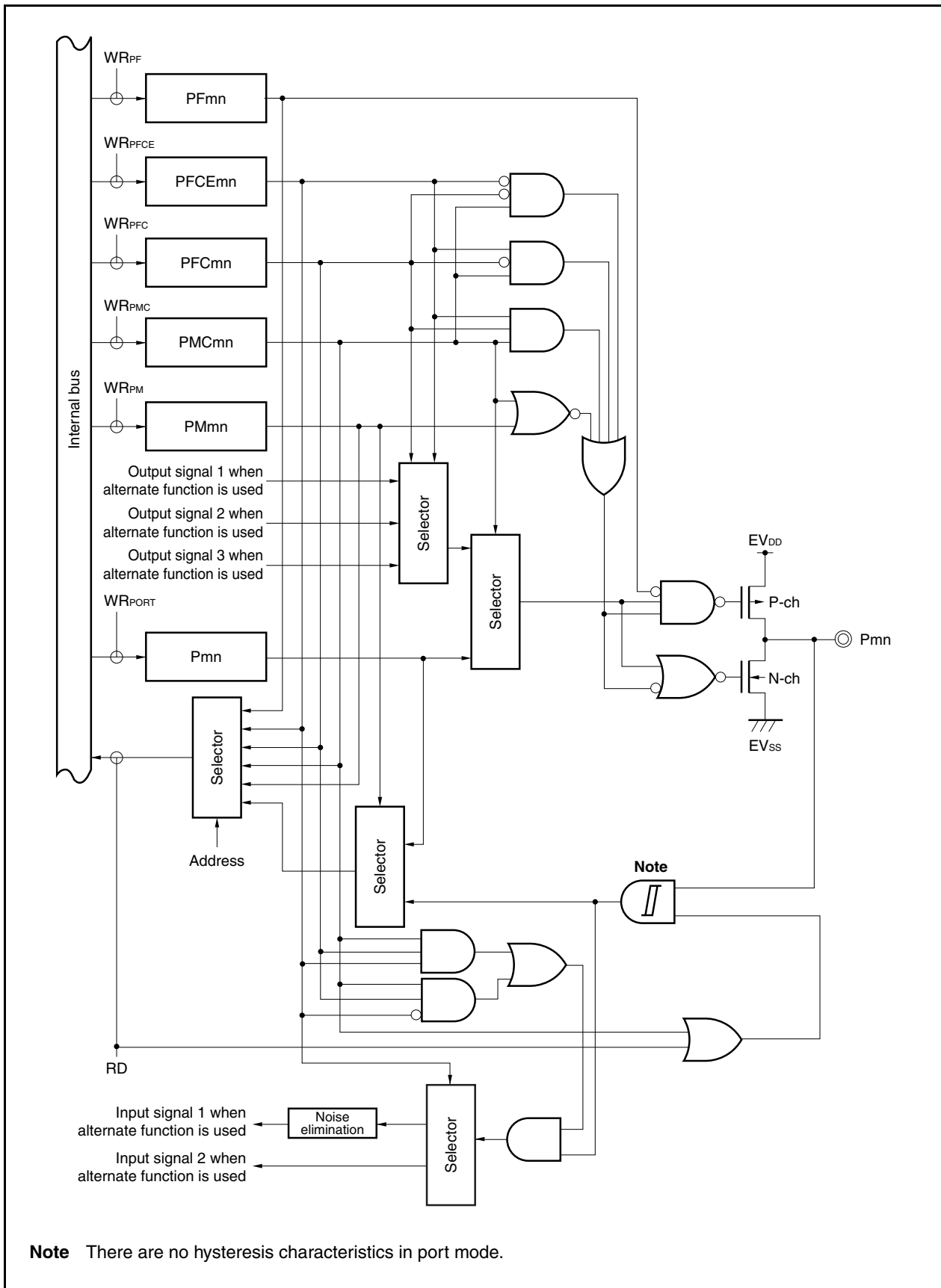


Figure 4-27. Block Diagram of Type U-11

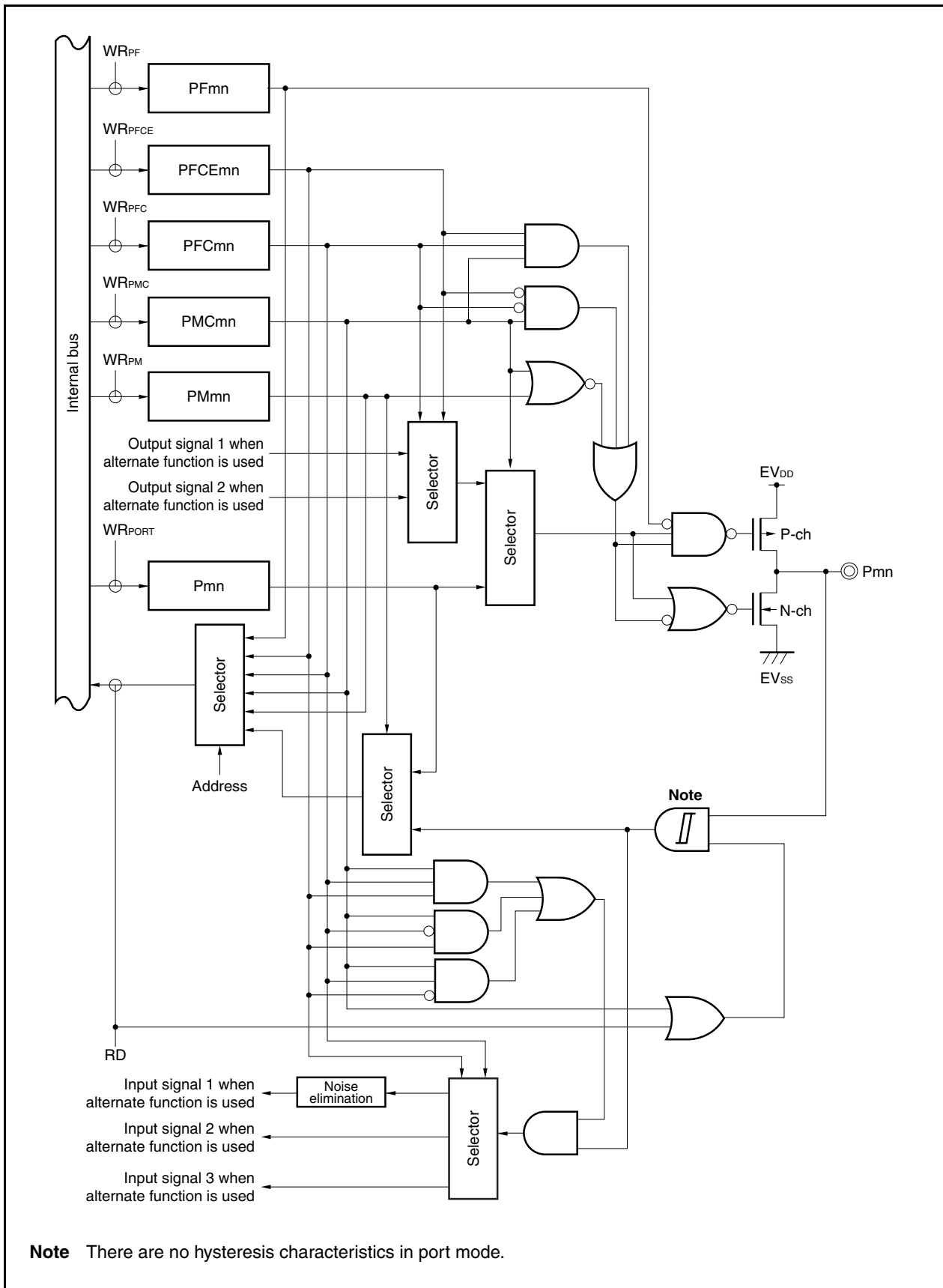


Figure 4-28. Block Diagram of Type U-12

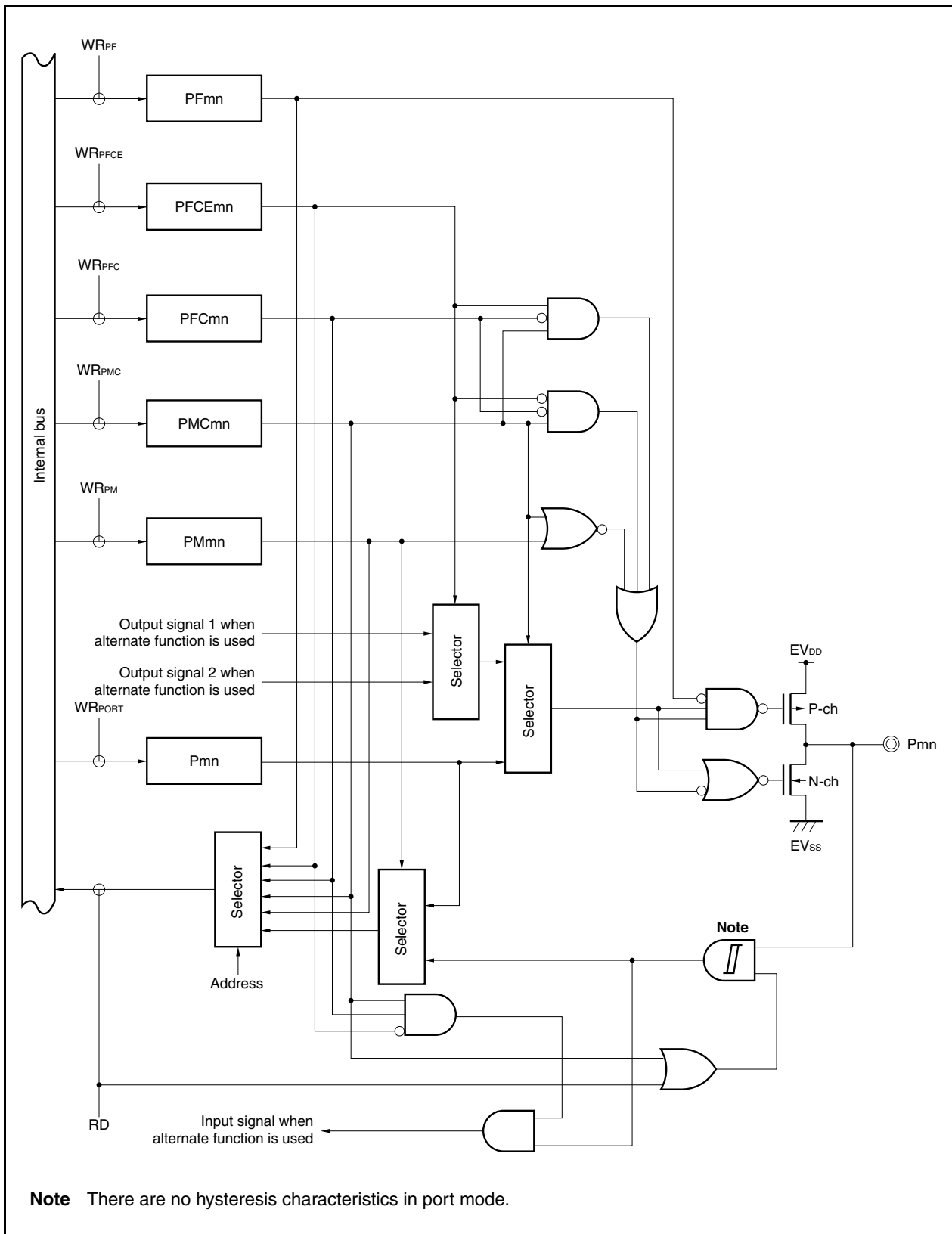


Figure 4-29. Block Diagram of Type U-13

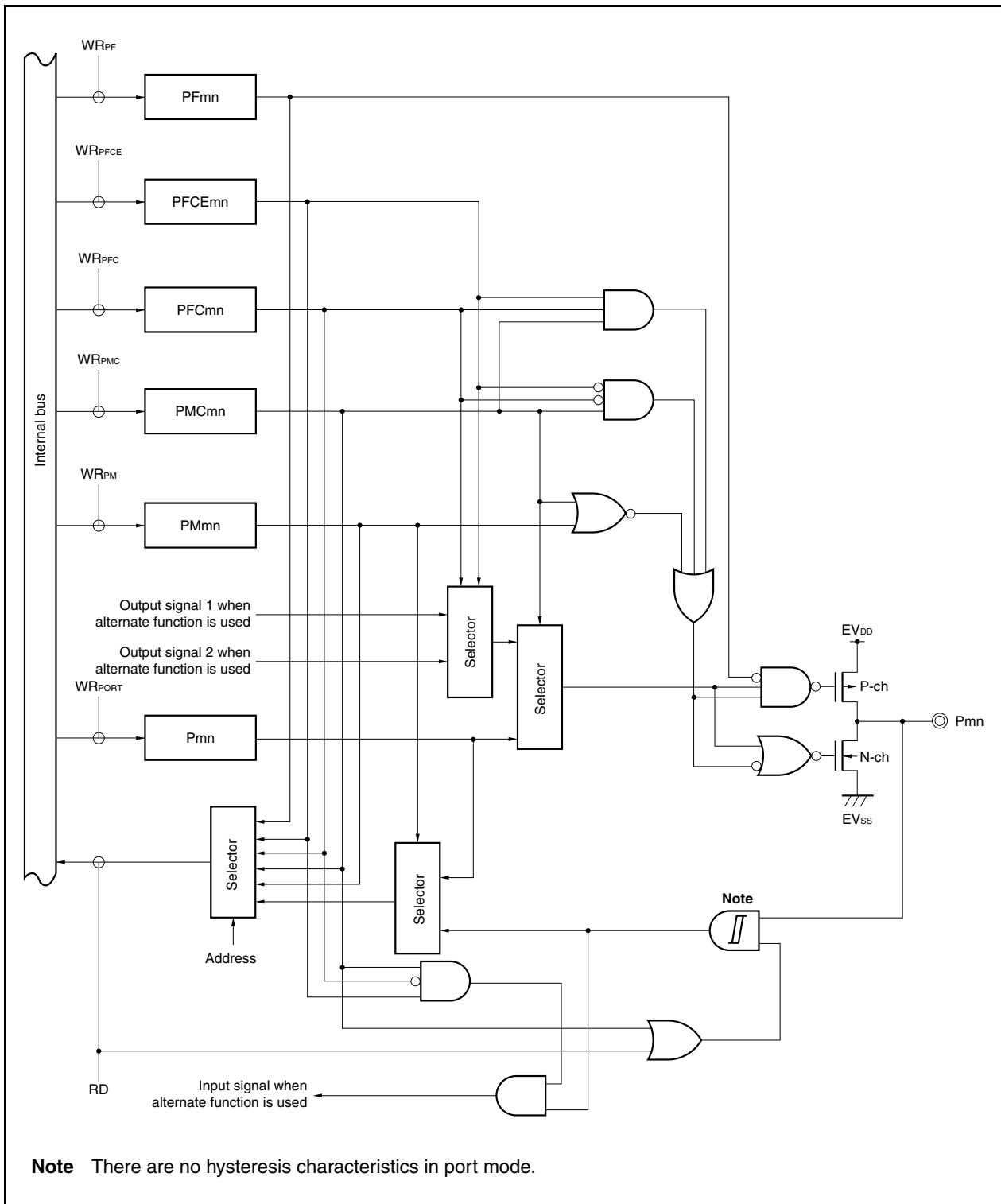


Figure 4-30. Block Diagram of Type U-14

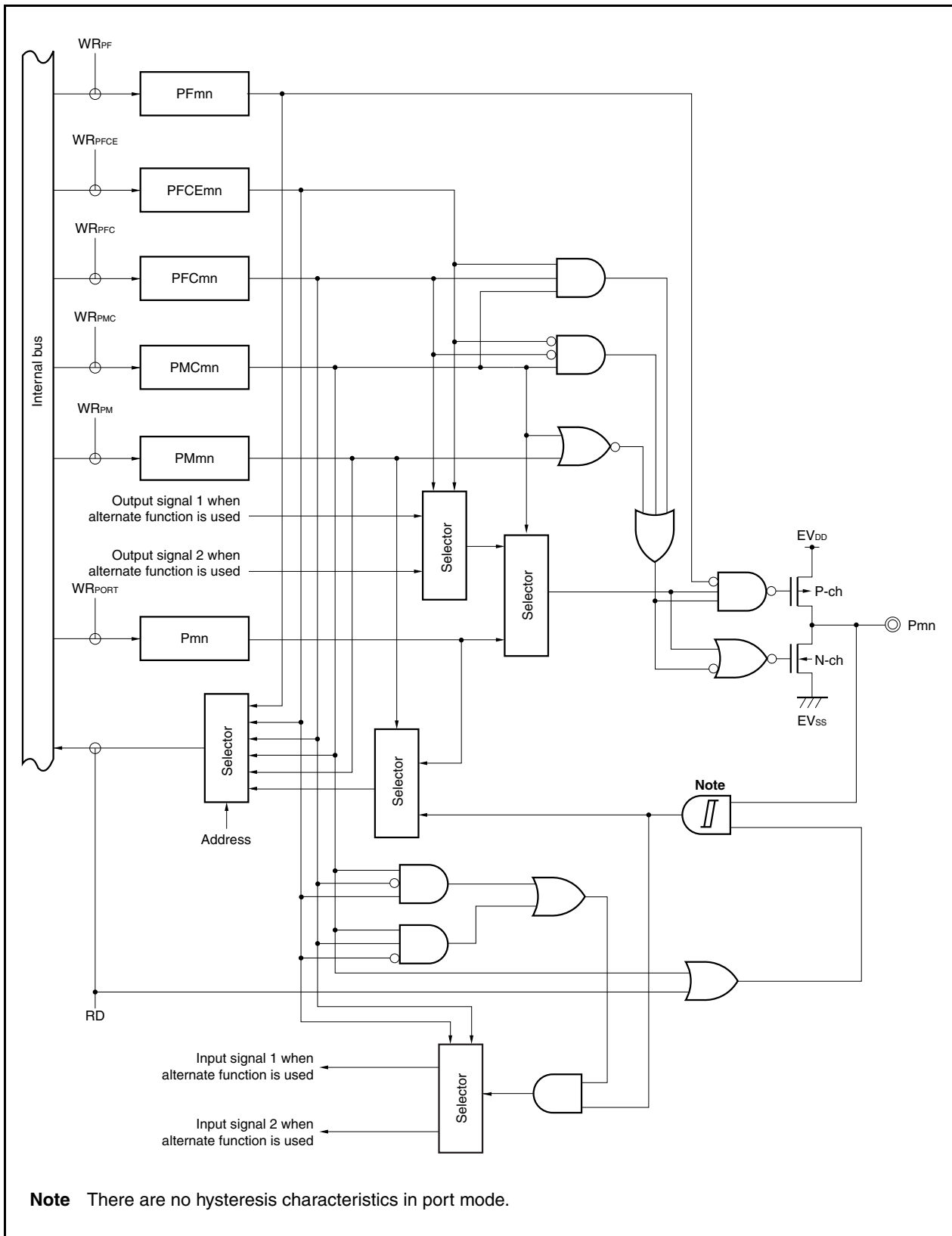


Figure 4-31. Block Diagram of Type U-15

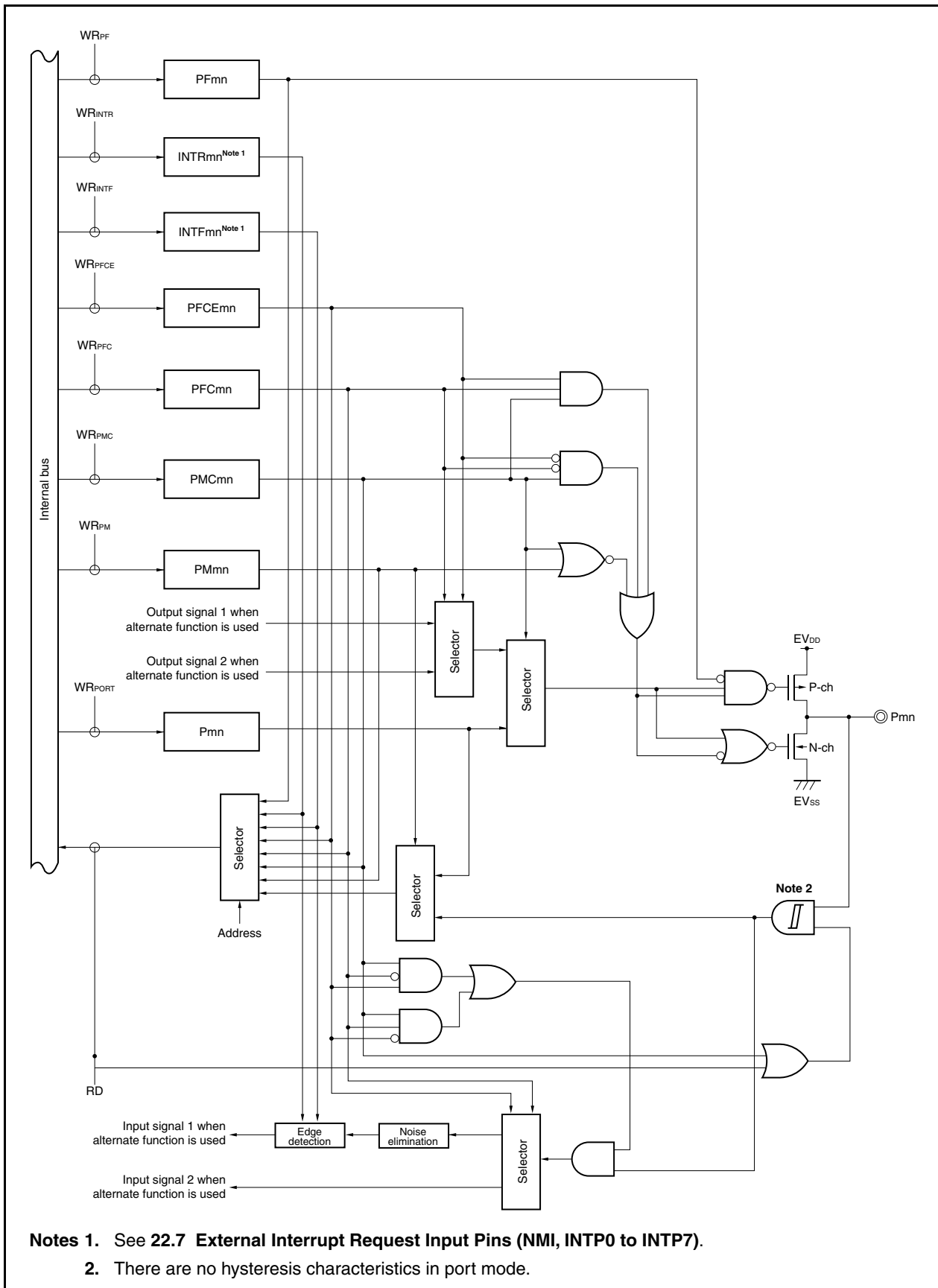


Figure 4-32. Block Diagram of Type U-16

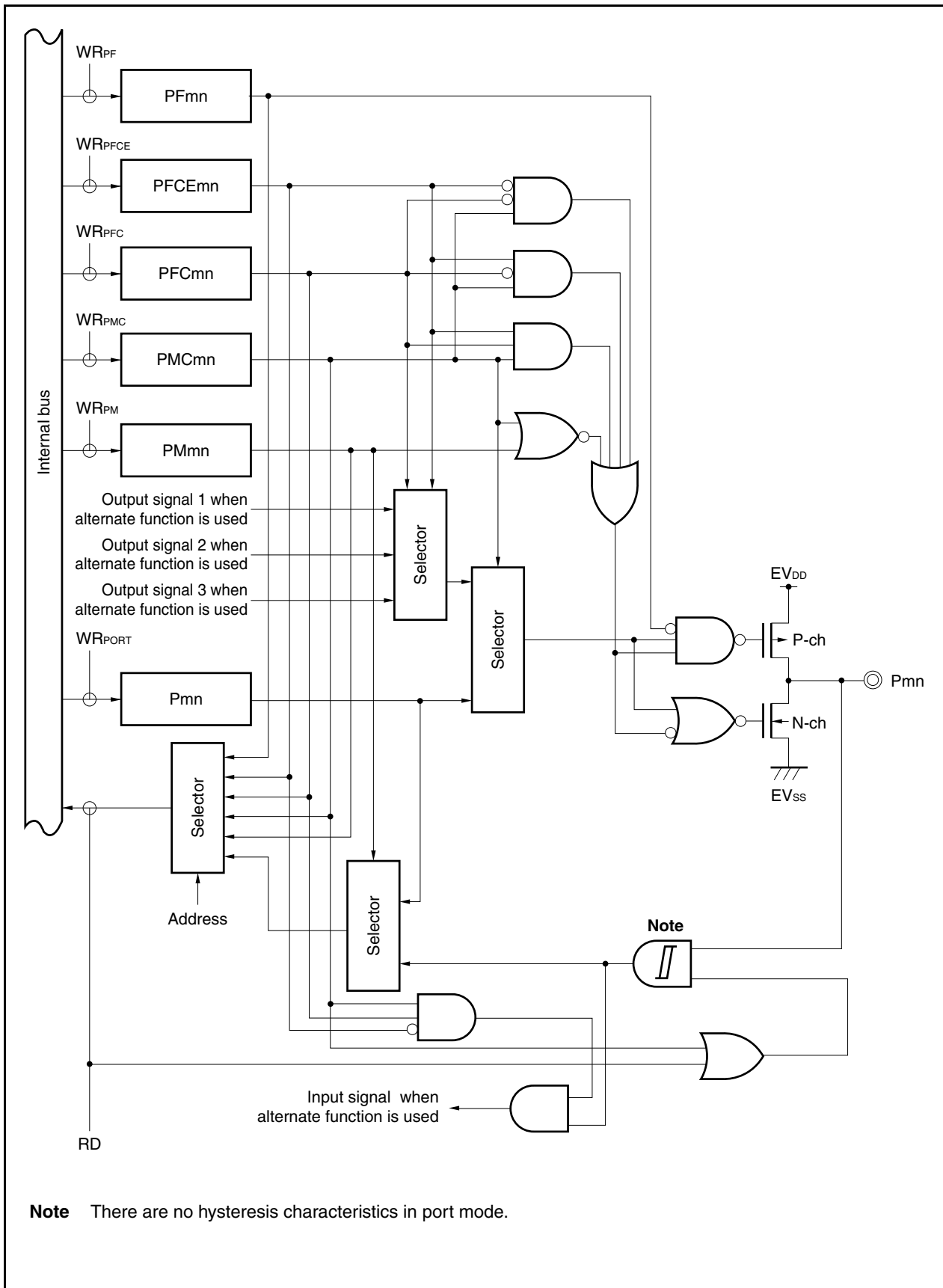


Figure 4-33. Block Diagram of Type U-17

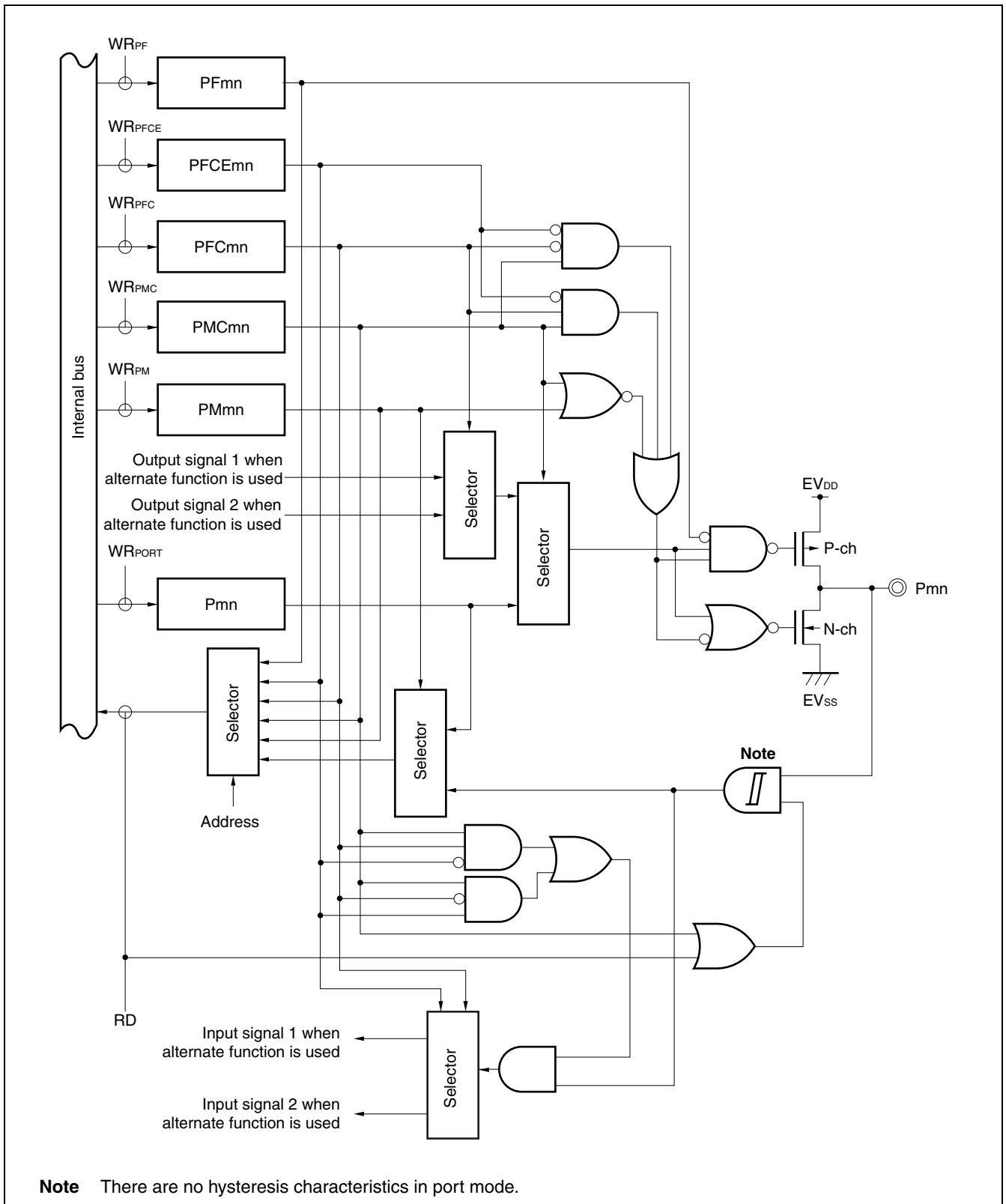
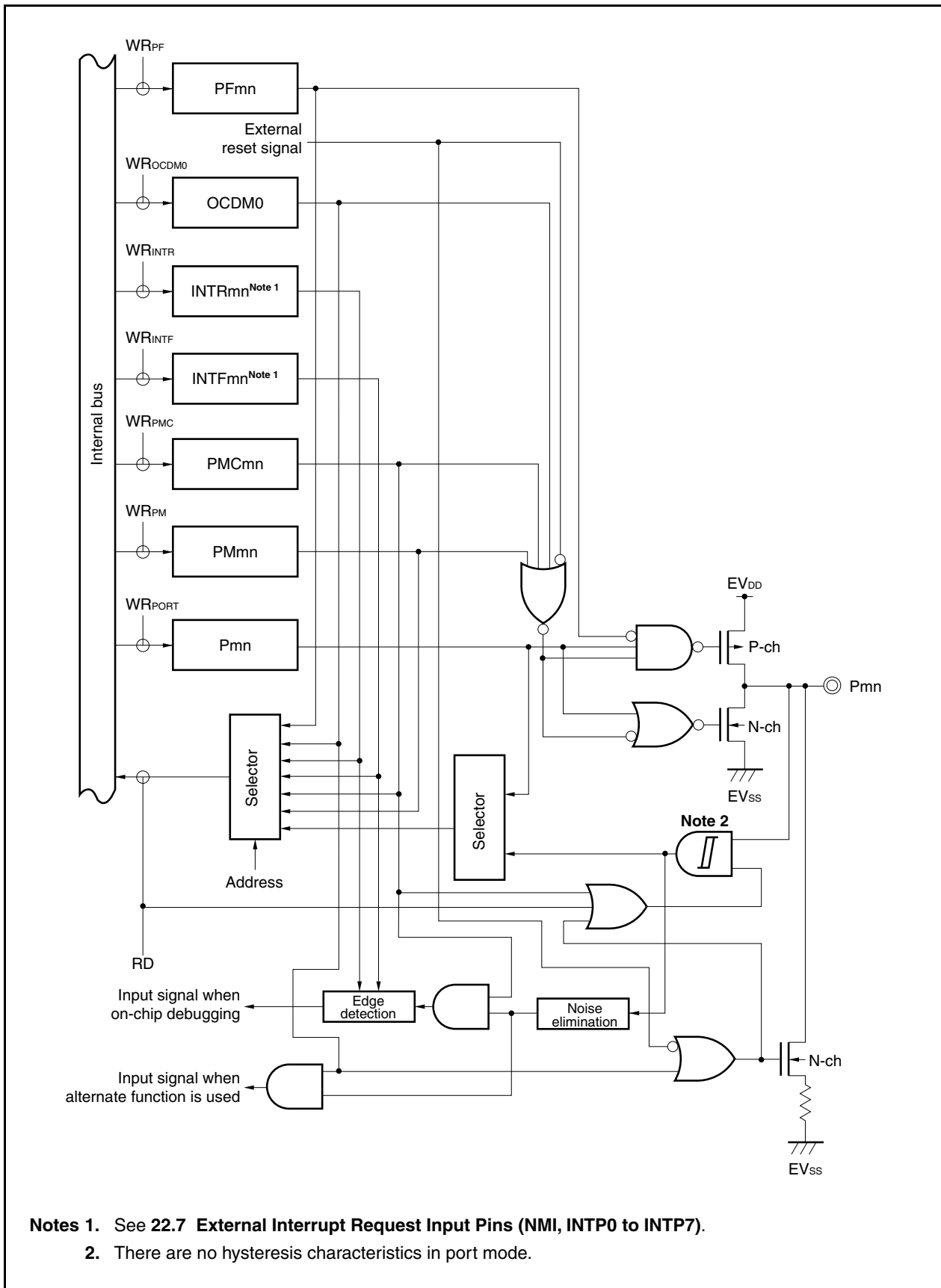


Figure 4-34. Block Diagram of Type AA-1



4.5 Port Register Settings When Alternate Function Is Used

Table 4-15 shows the port register settings when each port pin is used for an alternate function. When using a port pin as an alternate-function pin, refer to the description of each pin.

Table 4-15. Settings When Pins Are Used for Alternate Functions (1/7)

Function Name	Alternate Function		Pnx Bit of Pn Register	PMnx Bit of PMn Register	PMCnx Bit of PMCn Register	PFCEnx Bit of PFCEn Register	PFCnx Bit of PFCn Register	Other Bits (Registers)
	Name	I/O						
P02	NMI	Input	P02 = Setting not required	PM02 = Setting not required	PMC02 = 1	-	PFC02 = 0	
	A21	Input	P02 = Setting not required	PM02 = Setting not required	PMC02 = 1	-	PFC02 = 1	
P03	INTP0	Input	P03 = Setting not required	PM03 = Setting not required	PMC03 = 1	PFCE03 = 0	PFC03 = 0	
	ADTRG	Input	P03 = Setting not required	PM03 = Setting not required	PMC03 = 1	PFCE03 = 0	PFC03 = 1	
	UCLK	Input	P03 = Setting not required	PM03 = Setting not required	PMC03 = 1	PFCE03 = 1	PFC03 = 0	
	RTC1HZ	Input	P03 = Setting not required	PM03 = Setting not required	PMC03 = 1	PFCE03 = 1	PFC03 = 1	
P04	INTP1	Output	P04 = Setting not required	PM04 = Setting not required	PMC04 = 1	PFCE04 = 0	PFC04 = 0	
	RTCDIV	Output	P04 = Setting not required	PM04 = Setting not required	PMC04 = 1	PFCE04 = 0	PFC04 = 1	
	RTCCL	Input	P04 = Setting not required	PM04 = Setting not required	PMC04 = 1	PFCE04 = 1	PFC04 = 0	
P05	INTP2	Input	P05 = Setting not required	PM05 = Setting not required	PMC05 = 1	-	-	
	DRST	Input	P05 = Setting not required	PM05 = Setting not required	PMC05 = Setting not required	-	-	OCDM0 (OCDM) = 1
P06	INTP3	Output	P06 = Setting not required	PM06 = Setting not required	PMC06 = 1	-	-	
P10	ANO0	Output	P10 = Setting not required	PM10 = 1	-	-	-	
P11	ANO1	Output	P11 = Setting not required	PM11 = 1	-	-	-	
P30	TXDA0	Output	P30 = Setting not required	PM30 = Setting not required	PMC30 = 1	-	PFC30 = 0	
	SOB4	Input	P30 = Setting not required	PM30 = Setting not required	PMC30 = 1	-	PFC30 = 1	
P31	RXDA0	Input	P31 = Setting not required	PM31 = Setting not required	PMC31 = 1	-	Note , PFC31 = 0	
	INTP7	Input	P31 = Setting not required	PM31 = Setting not required	PMC31 = 1	-	Note , PFC31 = 0	
	SIB4	Input	P31 = Setting not required	PM31 = Setting not required	PMC31 = 1	-	PFC31 = 1	
P32	ASCKA0	I/O	P32 = Setting not required	PM32 = Setting not required	PMC32 = 1	-	PFC32 = 0	
	SCKB4	Input	P32 = Setting not required	PM32 = Setting not required	PMC32 = 1	-	PFC32 = 1	
	TIP00	Output	P32 = Setting not required	PM32 = Setting not required	PMC32 = 1	PFCE32 = 0	PFC32 = 0	
	TOP00	Input	P32 = Setting not required	PM32 = Setting not required	PMC32 = 1	PFCE32 = 0	PFC32 = 1	

Note INTP7 and RXDA0 are alternate functions. When using the pin for RXDA0, disable edge detection for INTP7 (clear the INTF3.INTF31 bit and the INTR3.INTR31 bit to 0). When using the pin for INTP7, stop UARTA0 reception (clear the UA0CTL0.UA0RXE bit to 0).

Caution When using one of the P10/ANO0 and P11/ANO1 pins for the I/O port function and the other for D/A output (ANO0, ANO1), do so in an application where the port I/O level does not change during D/A output.

Table 4-15. Settings When Pins Are Used for Alternate Functions (2/7)

Function Name	Alternate Function		Pnx Bit of Pn Register	PMnx Bit of PMn Register	PMCnx Bit of PMCn Register	PFCEnx Bit of PFCEn Register	PFCnx Bit of PFCn Register	Other Bits (Registers)
	Name	I/O						
P36	TXDA3	Output	P36 = Setting not required	PM36 = Setting not required	PMC36 = 1	–	–	
P37	RXDA3	Input	P37 = Setting not required	PM37 = Setting not required	PMC37 = 1	–	–	
P38	TXDA2	Output	P38 = Setting not required	PM38 = Setting not required	PMC38 = 1	–	PFC38 = 0	PF38 (PF3) = 1
	SDA00	I/O	P38 = Setting not required	PM38 = Setting not required	PMC38 = 1	–	PFC38 = 1	
P39	RXDA2	Input	P39 = Setting not required	PM39 = Setting not required	PMC39 = 1	–	PFC39 = 0	PF39 (PF3) = 1
	SCL00	I/O	P39 = Setting not required	PM39 = Setting not required	PMC39 = 1	–	PFC39 = 1	
P40	SIB0	Input	P40 = Setting not required	PM40 = Setting not required	PMC40 = 1	–	PFC40 = 0	PF40 (PF4) = 1
	SDA01	I/O	P40 = Setting not required	PM40 = Setting not required	PMC40 = 1	–	PFC40 = 1	
P41	SOB0	Output	P41 = Setting not required	PM41 = Setting not required	PMC41 = 1	–	PFC41 = 0	PF41 (PF4) = 1
	SCL01	I/O	P41 = Setting not required	PM41 = Setting not required	PMC41 = 1	–	PFC41 = 1	
P42	SCKB0	I/O	P42 = Setting not required	PM42 = Setting not required	PMC42 = 1	–	–	KRM0 (KRM) = 0
P50	TIQ01	Input	P50 = Setting not required	PM50 = Setting not required	PMC50 = 1	PFCE50 = 0	PFC50 = 1	TQ0TIG2, TQ0TIG3 (TQ0IOC1) = 0
	KR0	Input	P50 = Setting not required	PM50 = Setting not required	PMC50 = 1	PFCE50 = 0	PFC50 = 1	
	TOQ01	Output	P50 = Setting not required	PM50 = Setting not required	PMC50 = 1	PFCE50 = 1	PFC50 = 0	
	RTP00	Output	P50 = Setting not required	PM50 = Setting not required	PMC50 = 1	PFCE50 = 1	PFC50 = 1	

Table 4-15. Settings When Pins Are Used for Alternate Functions (3/7)

Function Name	Alternate Function		Pnx Bit of Pn Register	PMnx Bit of PMn Register	PMCnx Bit of PMCn Register	PFCEnx Bit of PFCEn Register	PFCnx Bit of PFCn Register	Other Bits (Registers)
	Name	I/O						
P51	TIQ02	Input	P51 = Setting not required	PM51 = Setting not required	PMC51 = 1	PFCE51 = 0	PFC51 = 1	KRM1 (KRM) = 0
	KR1	Input	P51 = Setting not required	PM51 = Setting not required	PMC51 = 1	PFCE51 = 0	PFC51 = 1	TQ0TIG4, TQ0TIG5 (TQ0IOC1) = 0
	TOQ02	Output	P51 = Setting not required	PM51 = Setting not required	PMC51 = 1	PFCE51 = 1	PFC51 = 0	
	RTP01	Output	P51 = Setting not required	PM51 = Setting not required	PMC51 = 1	PFCE51 = 1	PFC51 = 1	
P52	TIQ03	Input	P52 = Setting not required	PM52 = Setting not required	PMC52 = 1	PFCE52 = 0	PFC52 = 1	KRM2 (KRM) = 0
	KR2	Input	P52 = Setting not required	PM52 = Setting not required	PMC52 = 1	PFCE52 = 0	PFC52 = 1	TQ0TIG6, TQ0TIG7 (TQ0IOC1) = 0
	TOQ03	Output	P52 = Setting not required	PM52 = Setting not required	PMC52 = 1	PFCE52 = 1	PFC52 = 0	
	RTP02	Output	P52 = Setting not required	PM52 = Setting not required	PMC52 = 1	PFCE52 = 1	PFC52 = 1	
	DDI	Input	P52 = Setting not required	PM52 = Setting not required	PMC52 = Setting not required	PFCE52 = Setting not required	PFC52 = Setting not required	OCDM0 (OCDM) = 1
P53	SIB2	Input	P53 = Setting not required	PM53 = Setting not required	PMC53 = 1	PFCE53 = 0	PFC53 = 0	
	TIQ00	Input	P53 = Setting not required	PM53 = Setting not required	PMC53 = 1	PFCE53 = 0	PFC53 = 1	KRM3 (KRM) = 0
	KR3	Input	P53 = Setting not required	PM53 = Setting not required	PMC53 = 1	PFCE53 = 0	PFC53 = 1	TQ0TIG0, TQ0TIG1 (TQ0IOC1) = 0, TQ0EES0, TQ0EES1 (TQ0IOC2) = 0, TQ0ETS0, TQ0ETS1 (TQ0IOC2) = 0
	TOQ00	Output	P53 = Setting not required	PM53 = Setting not required	PMC53 = 1	PFCE53 = 1	PFC53 = 0	
	RTP03	Output	P53 = Setting not required	PM53 = Setting not required	PMC53 = 1	PFCE53 = 1	PFC53 = 1	
	DDO	Output	P53 = Setting not required	PM53 = Setting not required	PMC53 = Setting not required	PFCE53 = Setting not required	PFC53 = Setting not required	OCDM0 (OCDM) = 1
P54	SOB2	Output	P54 = Setting not required	PM54 = Setting not required	PMC54 = 1	PFCE54 = 0	PFC54 = 0	
	KR4	Input	P54 = Setting not required	PM54 = Setting not required	PMC54 = 1	PFCE54 = 0	PFC54 = 1	
	RTP04	Output	P54 = Setting not required	PM54 = Setting not required	PMC54 = 1	PFCE54 = 1	PFC54 = 1	
	DCK	Input	P54 = Setting not required	PM54 = Setting not required	PMC54 = Setting not required	PFCE54 = Setting not required	PFC54 = Setting not required	OCDM0 (OCDM) = 1
P55	SCKB2	I/O	P55 = Setting not required	PM55 = Setting not required	PMC55 = 1	PFCE55 = 0	PFC55 = 0	
	KR5	Input	P55 = Setting not required	PM55 = Setting not required	PMC55 = 1	PFCE55 = 0	PFC55 = 1	
	RTP05	Output	P55 = Setting not required	PM55 = Setting not required	PMC55 = 1	PFCE55 = 1	PFC55 = 1	
	DMS	Input	P55 = Setting not required	PM55 = Setting not required	PMC55 = Setting not required	PFCE55 = Setting not required	PFC55 = Setting not required	OCDM0 (OCDM) = 1

Table 4-15. Settings When Pins Are Used for Alternate Functions (4/7)

Function Name	Alternate Function		Pnx Bit of Pn Register	PMnx Bit of PMn Register	PMCnx Bit of PMCn Register	PFCEnx Bit of PFCEn Register	PFCnx Bit of PFCn Register	Other Bits (Registers)
	Name	I/O						
P70	ANI0	Input	P70 = Setting not required	PM70 = 1	–	–	–	
P71	ANI1	Input	P71 = Setting not required	PM71 = 1	–	–	–	
P72	ANI2	Input	P72 = Setting not required	PM72 = 1	–	–	–	
P73	ANI3	Input	P73 = Setting not required	PM73 = 1	–	–	–	
P74	ANI4	Input	P74 = Setting not required	PM74 = 1	–	–	–	
P75	ANI5	Input	P75 = Setting not required	PM75 = 1	–	–	–	
P76	ANI6	Input	P76 = Setting not required	PM76 = 1	–	–	–	
P77	ANI7	Input	P77 = Setting not required	PM77 = 1	–	–	–	
P78	ANI8	Input	P78 = Setting not required	PM78 = 1	–	–	–	
P79	ANI9	Input	P79 = Setting not required	PM79 = 1	–	–	–	
P710	ANI10	Input	P710 = Setting not required	PM710 = 1	–	–	–	
P711	ANI11	Input	P711 = Setting not required	PM711 = 1	–	–	–	
P90	KR6	Input	P90 = Setting not required	PM90 = Setting not required	PMC90 = 1	PFCE90 = 0	PFC90 = 1	
	TXDA1	Output	P90 = Setting not required	PM90 = Setting not required	PMC90 = 1	PFCE90 = 1	PFC90 = 0	
	SDA02	I/O	P90 = Setting not required	PM90 = Setting not required	PMC90 = 1	PFCE90 = 1	PFC90 = 1	PF90 (PF9) = 1
P91	KR7	Input	P91 = Setting not required	PM91 = Setting not required	PMC91 = 1	PFCE91 = 0	PFC91 = 1	
	RXDA1/KR7 ^{Note}	Input	P91 = Setting not required	PM91 = Setting not required	PMC91 = 1	PFCE91 = 1	PFC91 = 0	
	SCL02	I/O	P91 = Setting not required	PM91 = Setting not required	PMC91 = 1	PFCE91 = 1	PFC91 = 1	PF91 (PF9) = 1

Note The RXDA1 and KR7 functions cannot be used at the same time. When using the pin for RXDA1, do not use the KR7 function. When using the pin for KR7, do not use the RXDA1 function. (It is recommended to set the PFC91 bit to 1 and clear the PFCE91 bit to 0.)

Table 4-15. Settings When Pins Are Used for Alternate Functions (5/7)

Function Name	Alternate Function		Pnx Bit of Pn Register	PMnx Bit of PMn Register	PMCnx Bit of PMCn Register	PFCEnx Bit of PFCEn Register	PFCnx Bit of PFCn Register	Other Bits (Registers)
	Name	I/O						
P92	TIP41	Input	P92 = Setting not required	PM92 = Setting not required	PMC92 = 1	PFCE92 = 0	PFC92 = 1	
	TOP41	Output	P92 = Setting not required	PM92 = Setting not required	PMC92 = 1	PFCE92 = 1	PFC92 = 0	
	TXDA4	Output	P92 = Setting not required	PM92 = Setting not required	PMC92 = 1	PFCE92 = 1	PFC92 = 1	
P93	TIP40	Input	P93 = Setting not required	PM93 = Setting not required	PMC93 = 1	PFCE93 = 0	PFC93 = 1	
	TOP40	Output	P93 = Setting not required	PM93 = Setting not required	PMC93 = 1	PFCE93 = 1	PFC93 = 0	
	RXDA4	Input	P93 = Setting not required	PM93 = Setting not required	PMC93 = 1	PFCE93 = 1	PFC93 = 1	
P94	TIP31	Input	P94 = Setting not required	PM94 = Setting not required	PMC94 = 1	PFCE94 = 0	PFC94 = 1	
	TOP31	Output	P94 = Setting not required	PM94 = Setting not required	PMC94 = 1	PFCE94 = 1	PFC94 = 0	
	TXDA5	Output	P94 = Setting not required	PM94 = Setting not required	PMC94 = 1	PFCE94 = 1	PFC94 = 1	
P95	TIP30	Input	P95 = Setting not required	PM95 = Setting not required	PMC95 = 1	PFCE95 = 0	PFC95 = 1	
	TOP30	Output	P95 = Setting not required	PM95 = Setting not required	PMC95 = 1	PFCE95 = 1	PFC95 = 0	
	RXDA5	Input	P95 = Setting not required	PM95 = Setting not required	PMC95 = 1	PFCE95 = 1	PFC95 = 1	
P96	TXDC0	Input	P96 = Setting not required	PM96 = Setting not required	PMC96 = 1	PFCE96 = 0	PFC96 = 1	
	TIP21	Output	P96 = Setting not required	PM96 = Setting not required	PMC96 = 1	PFCE96 = 1	PFC96 = 0	
	TOP21	Output	P96 = Setting not required	PM96 = Setting not required	PMC96 = 1	PFCE96 = 1	PFC96 = 1	
P97	SIB1 ^{Note}	Input	P97 = Setting not required	PM97 = Setting not required	PMC97 = 1	PFCE97 = 0	PFC97 = 1	
	RXDC0 ^{Note}	Input	P97 = Setting not required	PM97 = Setting not required	PMC97 = 1	PFCE97 = 0	PFC97 = 1	
	TIP20	Input	P97 = Setting not required	PM97 = Setting not required	PMC97 = 1	PFCE97 = 1	PFC97 = 0	
	TOP20	Output	P97 = Setting not required	PM97 = Setting not required	PMC97 = 1	PFCE97 = 1	PFC97 = 1	
P98	SOB1	Output	P98 = Setting not required	PM98 = Setting not required	PMC98 = 1	–	PFC98 = 1	
P99	SCKB1	I/O	P99 = Setting not required	PM99 = Setting not required	PMC99 = 1	–	PFC99 = 1	

Note The SIB1 and RXDC0 functions cannot be used at the same time. When using the pin for SIB1, stop UARTC0 reception. (clear the UC0CTL0.UC0RXE bit to 0.) When using the pin for RXDC0, stop CSIB1 reception. (clear the CB1CTL0.CB1RXE bit to 0.)

Table 4-15. Settings When Pins Are Used for Alternate Functions (6/7)

Function Name	Alternate Function		Pnx Bit of Pn Register	PMnx Bit of PMn Register	PMCnx Bit of PMCn Register	PFCEnx Bit of PFCEn Register	PFCnx Bit of PFCn Register	Other Bits (Registers)
	Name	I/O						
P910	SIB3	Input	P910 = Setting not required	PM910 = Setting not required	PMC910 = 1	–	PFC910 = 1	
P911	SOB3	Output	P911 = Setting not required	PM911 = Setting not required	PMC911 = 1	–	PFC911 = 1	
P912	SCKB3	I/O	P912 = Setting not required	PM912 = Setting not required	PMC912 = 1	–	PFC912 = 1	
P913	INTP4	Input	P913 = Setting not required	PM913 = Setting not required	PMC913 = 1	–	PFC913 = 1	
P914	INTP5	Input	P914 = Setting not required	PM914 = Setting not required	PMC914 = 1	PFCE914 = 0	PFC914 = 1	
	TIP51	Input	P914 = Setting not required	PM914 = Setting not required	PMC914 = 1	PFCE914 = 1	PFC914 = 0	
	TOP51	Output	P914 = Setting not required	PM914 = Setting not required	PMC914 = 1	PFCE914 = 1	PFC914 = 1	
P915	INTP6	Input	P915 = Setting not required	PM915 = Setting not required	PMC915 = 1	PFCE915 = 0	PFC915 = 1	
	TIP50	Input	P915 = Setting not required	PM915 = Setting not required	PMC915 = 1	PFCE915 = 1	PFC915 = 0	
	TOP50	Output	P915 = Setting not required	PM915 = Setting not required	PMC915 = 1	PFCE915 = 1	PFC915 = 1	
PCM0	WAIT	Input	PCM0 = Setting not required	PMCM0 = Setting not required	PMCCM0 = 1	–	–	
PCM1	CLKOUT	Output	PCM1 = Setting not required	PMCM1 = Setting not required	PMCCM1 = 1	–	–	
PCM2	HLDK	Output	PCM2 = Setting not required	PMCM2 = Setting not required	PMCCM2 = 1	–	–	
PCM3	HLDK	Input	PCM3 = Setting not required	PMCM3 = Setting not required	PMCCM3 = 1	–	–	
PCT0	WR0	Output	PCT0 = Setting not required	PMCT0 = Setting not required	PMCCM0 = 1	–	–	
PCT1	WR1	Output	PCT1 = Setting not required	PMCT1 = Setting not required	PMCCM1 = 1	–	–	
PCT4	RD	Output	PCT4 = Setting not required	PMCT4 = Setting not required	PMCCM4 = 1	–	–	
PCT6	ASTB	Output	PCT6 = Setting not required	PMCT6 = Setting not required	PMCCM6 = 1	–	–	

Table 4-15. Settings When Pins Are Used for Alternate Functions (7/7)

Function Name	Alternate Function		Pnx Bit of Pn Register	PMnx Bit of PMn Register	PMCnx Bit of PMCn Register	PFCEnx Bit of PFCEn Register	PFCnx Bit of PFCn Register	Other Bits (Registers)
	Name	I/O						
PDH0	A16	Output	PDH0 = Setting not required	PMDH0 = Setting not required	PMCDH0 = 1	–	–	
PDH1	A17	Output	PDH1 = Setting not required	PMDH1 = Setting not required	PMCDH1 = 1	–	–	
PDH2	A18	Output	PDH2 = Setting not required	PMDH2 = Setting not required	PMCDH2 = 1	–	–	
PDH3	A19	Output	PDH3 = Setting not required	PMDH3 = Setting not required	PMCDH3 = 1	–	–	
PDH4	A20	Output	PDH4 = Setting not required	PMDH4 = Setting not required	PMCDH4 = 1	–	–	
PDL0	AD0	I/O	PDL0 = Setting not required	PMDL0 = Setting not required	PMCDL0 = 1	–	–	
PDL1	AD1	I/O	PDL1 = Setting not required	PMDL1 = Setting not required	PMCDL1 = 1	–	–	
PDL2	AD2	I/O	PDL2 = Setting not required	PMDL2 = Setting not required	PMCDL2 = 1	–	–	
PDL3	AD3	I/O	PDL3 = Setting not required	PMDL3 = Setting not required	PMCDL3 = 1	–	–	
PDL4	AD4	I/O	PDL4 = Setting not required	PMDL4 = Setting not required	PMCDL4 = 1	–	–	
PDL5	AD5	I/O	PDL5 = Setting not required	PMDL5 = Setting not required	PMCDL5 = 1	–	–	
	FLMD1 ^{Note}	Input	PDL5 = Setting not required	PMDL5 = Setting not required	PMCDL5 = Setting not required	–	–	
PDL6	AD6	I/O	PDL6 = Setting not required	PMDL6 = Setting not required	PMCDL6 = 1	–	–	
PDL7	AD7	I/O	PDL7 = Setting not required	PMDL7 = Setting not required	PMCDL7 = 1	–	–	
PDL8	AD8	I/O	PDL8 = Setting not required	PMDL8 = Setting not required	PMCDL8 = 1	–	–	
PDL9	AD9	I/O	PDL9 = Setting not required	PMDL9 = Setting not required	PMCDL9 = 1	–	–	
PDL10	AD10	I/O	PDL10 = Setting not required	PMDL10 = Setting not required	PMCDL10 = 1	–	–	
PDL11	AD11	I/O	PDL11 = Setting not required	PMDL11 = Setting not required	PMCDL11 = 1	–	–	
PDL12	AD12	I/O	PDL12 = Setting not required	PMDL12 = Setting not required	PMCDL12 = 1	–	–	
PDL13	AD13	I/O	PDL13 = Setting not required	PMDL13 = Setting not required	PMCDL13 = 1	–	–	
PDL14	AD14	I/O	PDL14 = Setting not required	PMDL14 = Setting not required	PMCDL14 = 1	–	–	
PDL15	AD15	I/O	PDL15 = Setting not required	PMDL15 = Setting not required	PMCDL15 = 1	–	–	

Note Since this pin is set in the flash memory programming mode, it does not need to be manipulated by using the port control register. For details, see

CHAPTER 31 FLASH MEMORY.

4.6 Cautions

4.6.1 Cautions on setting port pins

(1) In the V850ES/JG3-L, general-purpose port pins are shared with several peripheral I/O functions. To switch between using a pin as a general-purpose port pin (port mode) and as a peripheral function I/O pin (alternate-function mode), use the PMCn register. Note the following when setting this register.

(a) Cautions when switching from port mode to alternate-function mode

Switch from the port mode to the alternate-function mode in the following order:

- | | |
|---|-----------------------------------|
| <1> Set the PFn register ^{Note 1} : | N-ch open-drain setting |
| <2> Set the PFCn and PFCEn registers: | Alternate-function selection |
| <3> Set the corresponding bit of the PMCn register to 1: | Switch to alternate-function mode |
| <4> Set the INTRn and INTFn registers ^{Note 2} : | External interrupt setting |

Note that if the PMCn register is set first, an unexpected operation may occur at the moment the register is set or when the pin states change in accordance with the setting of the PFn, PFCn, and PFCEn registers.

A specific example is shown below.

Notes 1. N-ch open-drain output pin only.

2. Only when the external interrupt function is selected.

Caution Regardless of the port mode/alternate-function mode setting, the Pn register is read and written as follows:

- Pn register read: The port output latch value is read (when PMn.PMnm bit = 0), or the pin state is read (PMn.PMnm bit = 1).
- Pn register write: The port output latch is written

[Example] SCL01 pin setting example

The SCL01 pin is used alternately as the P41/SOB0 pin. Select the desired pin function by using the PMC4, PFC4, and PF4 registers.

PMC41 Bit	PFC41 Bit	PF41 Bit	Pin Function
0	don't care	1	P41 (in output port mode, N-ch open-drain output)
1	0	1	SOB0 output (N-ch open-drain output)
	1	1	SCL01 I/O (N-ch open-drain output)

The setting order that may cause a malfunction when switching from the P41 pin function to the SCL01 pin function is shown below.

Setting Order	Setting	Pin State	Pin Level
<1>	Initial value (PMC41 bit = 0, PFC41 bit = 0, PF41 bit = 0)	Port mode (input)	Hi-Z
<2>	PMC41 bit ← 1	SOB0 output	Low level (may be high level depending on the CSIB0 setting)
<3>	PFC41 bit ← 1	SCL01 I/O	High level (CMOS output)
<4>	PF41 bit ← 1	SCL01 I/O	Hi-Z (N-ch open-drain output)

In <2>, I²C communication may be affected since the alternate-function SOB0 output is output to the pin. In the CMOS output period of <2> or <3>, an unnecessary current may be generated.

(b) Cautions on alternate-function mode (input)

The signal input to the alternate-function block is low level when the PMCn.PMCnm bit is 0 due to the ANDed output of the PMCn register set value and the pin level. Thus, depending on the port setting and alternate-function operation enable timing, an unexpected operation may occur. Therefore, switch between the port mode and alternate-function mode in the following sequence.

- Switching from port mode to alternate-function mode (input)
Set the pins to the alternate-function mode using the PMCn register and then enable the alternate-function operation.
- Switching from alternate-function mode (input) to port mode
Stop the alternate-function operation and then switch the pins to the port mode.

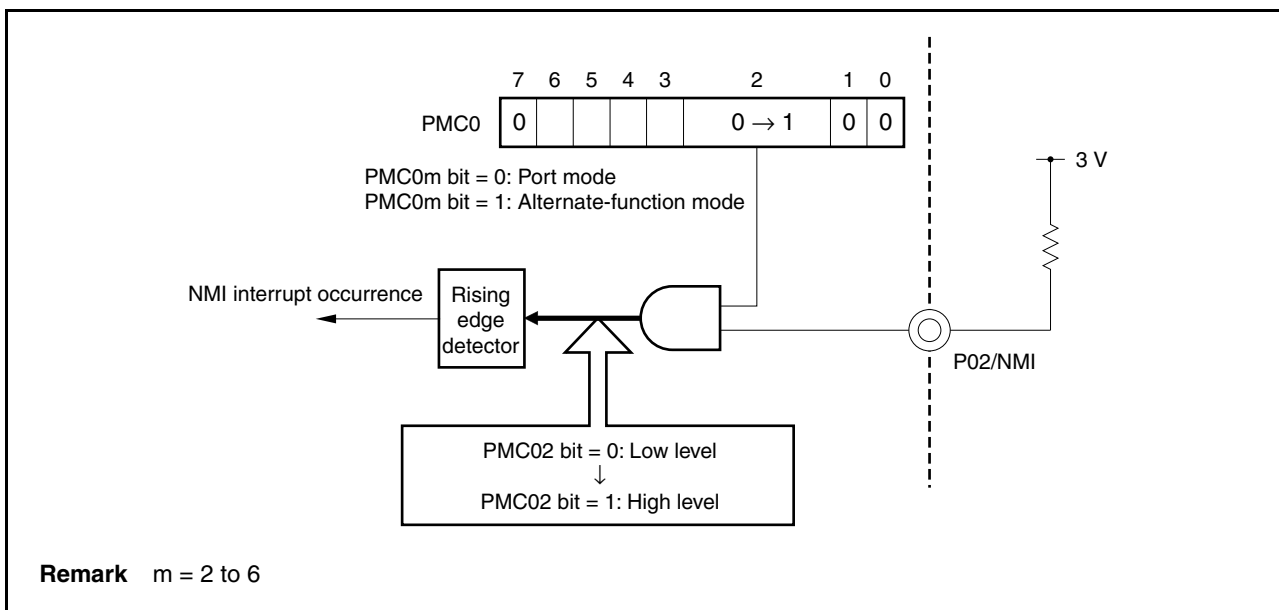
Specific examples are shown below.

[Example 1] Switching from general-purpose port pin (P02) to external interrupt pin (NMI)

When the P02/NMI pin is pulled up as shown in Figure 4-33 and the rising edge is specified by the NMI pin edge detection setting, even though a high level is input continuously to the NMI pin while switching from the P02 pin to the NMI pin (PMC02 bit = 0 → 1), this is detected as a rising edge, as if the low level changed to a high level, and an NMI interrupt occurs.

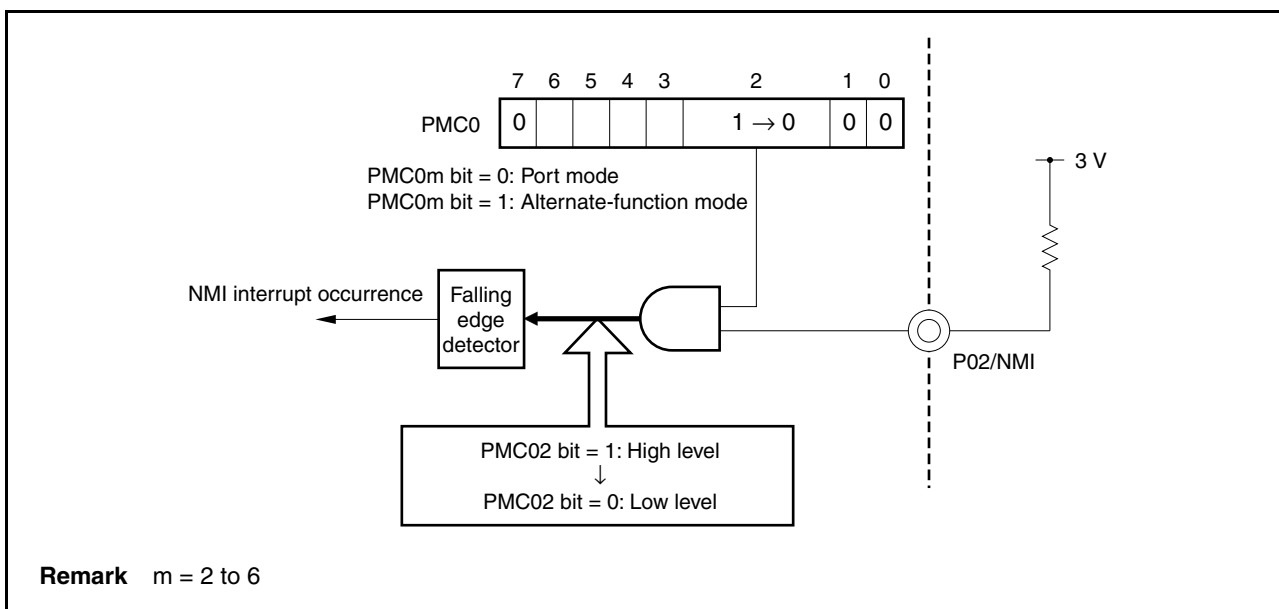
To avoid this, set the NMI pin's valid edge after switching from the P02 pin to the NMI pin.

Figure 4-35. Example of Switching from P02 to NMI (Incorrect)



[Example 2] Switching from external pin (NMI) to general-purpose port pin (P02)
 When the P02/NMI pin is pulled up as shown in Figure 4-34 and the falling edge is specified by the NMI pin edge detection setting, even though a high level is input continuously to the NMI pin when switching from the NMI pin to the P02 pin (PMCO2 bit = 1 → 0), this is detected as a falling edge, as if the high level changed to a low level, and an NMI interrupt occurs.
 To avoid this, set the NMI pin edge detection as “No edge detected” before switching to the P02 pin.

Figure 4-36. Example of Switching from NMI to P02 (Incorrect)



(2) In port mode, the PFn.PFn_m bit is valid only in the output mode (PMn.PMn_m bit = 0). In the input mode (PMn_m bit = 1), the value of the PFn_m bit is not reflected in the buffer.

4.6.2 Cautions on bit manipulation instruction for port n register (Pn)

When a 1-bit manipulation instruction is executed on a port that provides both input and output functions or port/alternate functions, the value of the output latch of an input port that is not subject to manipulation may be written in addition to the targeted bit.

Therefore, it is recommended to rewrite the output latch when switching a port from input mode to output mode.

<Example> When the P90 pin is an output pin, the P91 to P97 pins are input pins (the status of all pins is high level), and the value of the port latch is 00H, if the output of the P90 pin is changed from low level to high level via a bit manipulation instruction, the value of the port latch is FFH.

Explanation: When writing to and reading from the Pn register of a port whose PMnm bit is 1, the output latch is written and the pin status is read.

A bit manipulation instruction is executed in the following order in the V850ES/JG3-L.

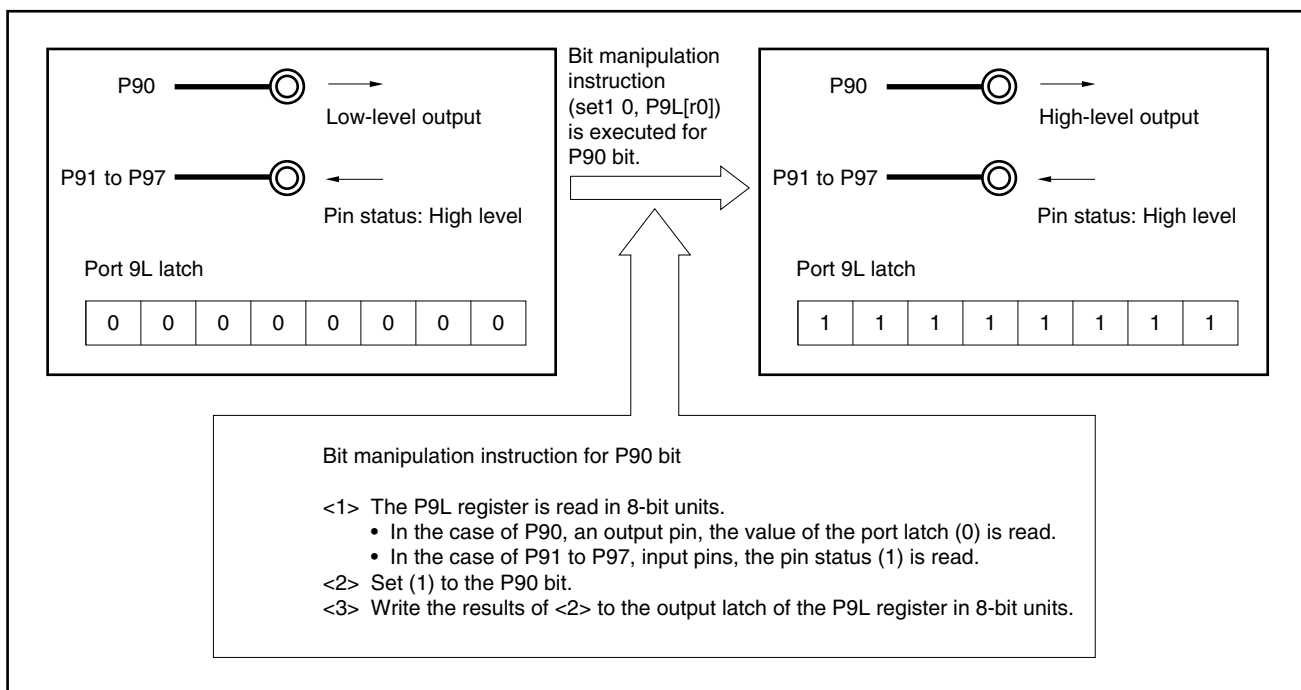
- <1> The Pn register is read in 8-bit units.
- <2> The targeted bit is manipulated.
- <3> The Pn register is written in 8-bit units.

In step <1>, the value of the output latch (0) of the P90 pin, which is an output pin, is read, while the pin statuses of the P91 to P97 pins, which are input pins, are read. If the pin statuses of the P91 to P97 pins are high level at this time, the value read is FEH.

The value is changed to FFH by the manipulation in <2>.

FFH is written to the output latch by the manipulation in <3>.

Figure 4-37. Bit Manipulation Instruction (P90 Pin)



4.6.3 Cautions on on-chip debug pins

The $\overline{\text{DRST}}$, DCK, DMS, DDI, and DDO pins are on-chip debug pins.

After reset by the $\overline{\text{RESET}}$ pin, the P05/INTP2/ $\overline{\text{DRST}}$ pin is initialized to function as an on-chip debug pin ($\overline{\text{DRST}}$). If a high level is input to the $\overline{\text{DRST}}$ pin at this time, the on-chip debug mode is set, and the DCK, DMS, DDI, and DDO pins can be used.

The following action must be taken if on-chip debugging is not used.

- Clear the OCDM0 bit of the OCDM register (special register) (0)

At this time, fix the P05/INTP2/ $\overline{\text{DRST}}$ pin to low level from when reset by the $\overline{\text{RESET}}$ pin is released until the above action is taken.

If a high level is input to the $\overline{\text{DRST}}$ pin before the above action is taken, it may cause a malfunction (CPU deadlock). Handle the P05 pin with the utmost care.

Caution After reset by the WDT2RES signal, clock monitor (CLM), or low-voltage detector (LVI), the P05/INTP2/ $\overline{\text{DRST}}$ pin is not initialized to function as an on-chip debug pin ($\overline{\text{DRST}}$). The OCDM register holds the current value.

4.6.4 Cautions on P05/INTP2/ $\overline{\text{DRST}}$ pin

The P05/INTP2/ $\overline{\text{DRST}}$ pin has an internal pull-down resistor (30 k Ω TYP.). After a reset by the $\overline{\text{RESET}}$ pin, the pull-down resistor is connected. The pull-down resistor is disconnected when the OCDM0 bit is cleared (0).

4.6.5 Cautions on P10, P11, and P53 pins when power is turned on

When the power is turned on, the following pins may output an undefined level temporarily even during reset.

- P10/ANO0 pin
- P11/ANO1 pin
- P53/SIB2/KR3/TIQ00/TOQ00/RTP03/DDO pin

4.6.6 Hysteresis characteristics

In port mode, the following port pins do not have hysteresis characteristics.

P02 to P06

P30 to P32, P37 to P39

P40 to P42

P50 to P55

P90 to P97, P99, P910, P912 to P915

CHAPTER 5 BUS CONTROL FUNCTION

The external bus interface function is used to connect external devices to areas other than the internal ROM, RAM, or on-chip I/O registers via ports, CM, CT, DL, and DH. These ports control address/data I/O, the read/write strobe signal, waits, the clock output, bus hold, and the address strobe signal.

The V850ES/JG3-L is provided with an external bus interface function by which external memories such as ROM and RAM, and external I/O devices can be connected.

5.1 Features

- A multiplexed bus with a minimum of 3 bus cycles output are available.
- An 8-bit or 16-bit data bus can be selected (specifiable for each memory block).
- Wait function
 - Programmable wait function of up to 7 states (specifiable for each memory block)
 - External wait function using $\overline{\text{WAIT}}$ pin
- Idle state insertion function
 - A low-speed device can be connected by inserting an idle state after a read cycle.
- Bus hold function
- Misalign access is possible.
- Up to 4 MB of physical memory can be connected.

5.2 Bus Control Pins

The following signals can be used to control an external device.

Table 5-1. Bus Control Signals

Bus Control Signal	I/O	Function	Alternate Function	Register to Switch Between Port Mode/Alternate-Function Mode
AD0 to AD15	I/O	Address/data bus	PDL0 to PDL15	PMCDL register
A16 to A21	Output	Address bus	PDH0 to PDH4, P02	PMCDH register, PMC0 register
WAIT	Input	External wait control	PCM0	PMCCM register
CLKOUT	Output	Internal system clock output	PCM1	PMCCM register
WR0, WR1	Output	Write strobe signal	PCT0, PCT1	PMCCT register
RD	Output	Read strobe signal	PCT4	PMCCT register
ASTB	Output	Address strobe signal	PCT6	PMCCT register
HLD \overline{RQ}	Input	Bus hold control	PCM3	PMCCM register
HLD \overline{AK}	Output		PCM2	

5.2.1 Pin status when internal ROM, internal RAM, or on-chip peripheral I/O is accessed

When the internal ROM, internal RAM, or on-chip peripheral I/O is accessed, the status of each pin is as follows.

Table 5-2. Pin Statuses When Internal ROM, Internal RAM, or On-Chip Peripheral I/O Is Accessed

Bus Control Pin	Multiplexed Bus Mode		
	Internal ROM/RAM	Peripheral I/O	USB function area
Address/data bus (AD15 to AD0)	Undefined	Undefined	Undefined
Address bus (A21 to A16)	Low level	Undefined	Undefined
Control signal	Inactive	Inactive	Inactive

Caution When the internal ROM area is written, address, data, and control signals are activated in the same way as when the external memory area is written.

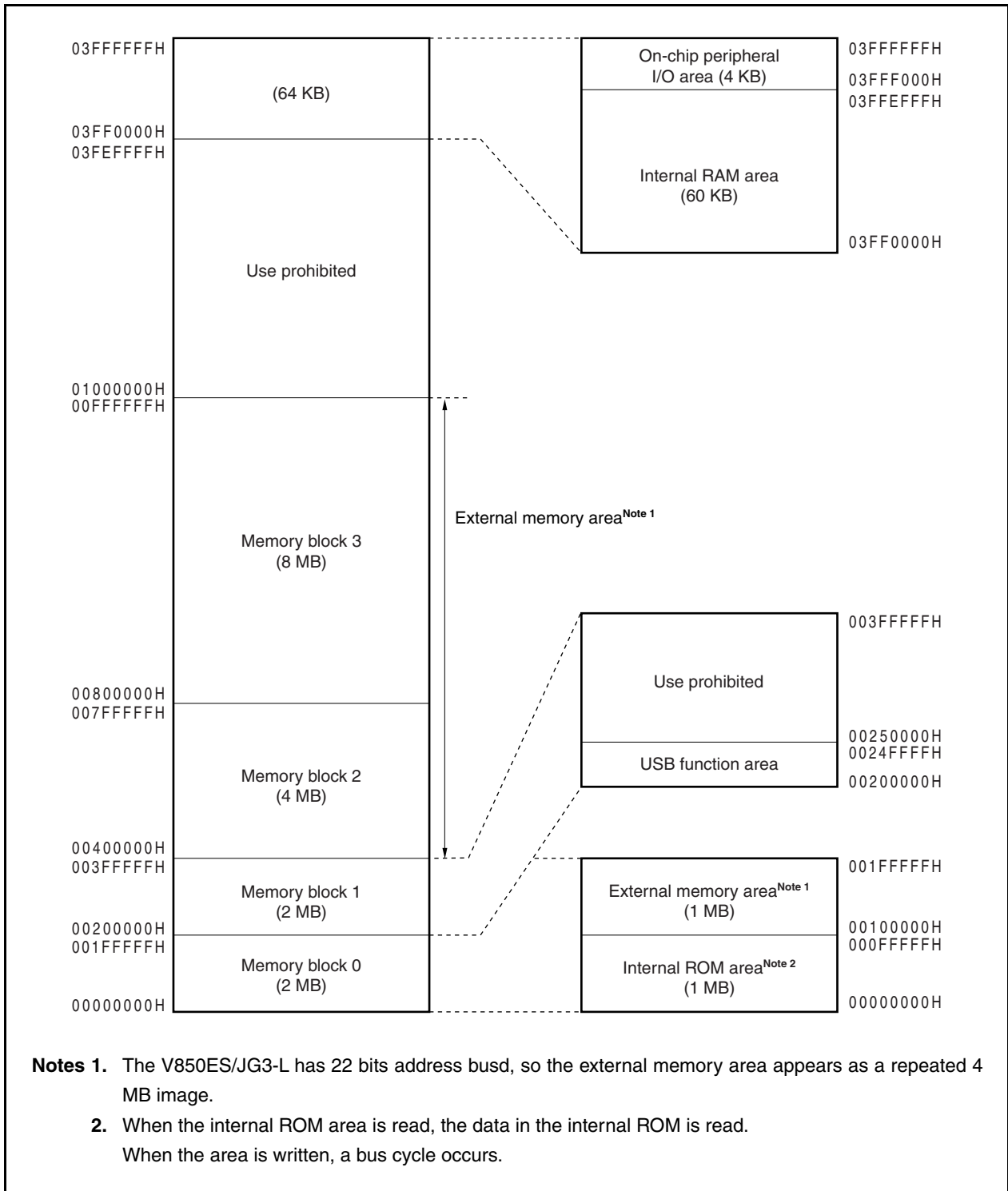
5.2.2 Pin status in each operation mode

For the status of the V850ES/JG3-L pins in each operation mode, see **2.2 Pin States**.

5.3 Memory Block Function

The lower 16 MB of the 64 MB memory space is reserved for external memory expansion and is divided into memory blocks of 2 MB, 2 MB, 4 MB, and 8 MB. The bus width and programmable wait function can be independently specified for each block.

Figure 5-1. Data Memory Map: Physical Addresses



5.4 Bus Access

5.4.1 Number of clock cycles required for access

The following table shows the number of basic clock cycles required for accessing each resource.

Table 5-3. Number of Clock Cycles Required for Access

Area (Bus Width) Bus Cycle Type	Internal ROM (32 Bits)	Internal RAM (32 Bits)	External Memory (16 Bits)	On-Chip Peripheral I/O (16 Bits)
Instruction fetch (normal access)	1	1 ^{Note 1}	3 + n + i ^{Note 2}	–
Instruction fetch (branch)	2	2 ^{Note 1}	3 + n + i ^{Note 2}	–
Operand data access	3	1	3 + n + i ^{Note 2}	3 ^{Note 3}
DMA transfer	–	2	3 + n + i ^{Note 2}	3 ^{Note 3}

Notes 1. If the access conflicts with a data access, the number of clock is increased by 1.

2. i = Idle state

3. This value varies depending on the setting of the VSWC register

Remark Unit: Clock cycles/access

5.4.2 Bus size setting function

The external memory area of the V850ES/JG3-L is selected by memory blocks 0 to 3.

The bus size of each external memory area selected by memory block n can be set (to 8 bits or 16 bits) by using the BSC register.

If a 16-bit bus width is specified, the lower 8 bits are used for even addresses and the higher 8 bits are used for odd addresses.

(1) Bus size configuration register (BSC)

This register controls the bus width of the memory block space.

This register can be read or written in 16-bit units.

Reset sets this register to 5555H.

Caution Write to the BSC register after reset, and then do not change the set values. Also, do not access an external memory area until the initial settings of the BSC register are complete.

After reset: 5555H		R/W	Address: FFFFF066H					
	15	14	13	12	11	10	9	8
BSC	0	1	0	1	0	1	0	1
	7	6	5	4	3	2	1	0
	0	BS30	0	BS20	0	1	0	BS00
Memory block n signal	Memory block 3		Memory block 2		Memory block 0			
BSn0	Data bus width of memory block n space (n = 0, 2, 3)							
0	8 bits							
1	16 bits ^{Note}							

Notes

- The BS10 bit is used to specify the bus size for the USB function controller. When using the USB function controller, set this bit to 1 (which specifies bus size is 16 bit).
- If a 16-bit bus width is specified, writing can be controlled in 8-bit units via two control pins ($\overline{WR0}$ and $\overline{WR1}$) but reading can be controlled only in 16-bit units because reading is controlled via one control pin (\overline{RD}). In the V850ES/JG3-L, however, unnecessary data is ignored, so byte access is possible.

Caution Be sure to set bits 14, 12, 10, 8 and 2 to “1”, and clear bits 15, 13, 11, 9, 7, 5, 3, and 1 to “0”.

5.4.3 Access according to bus size

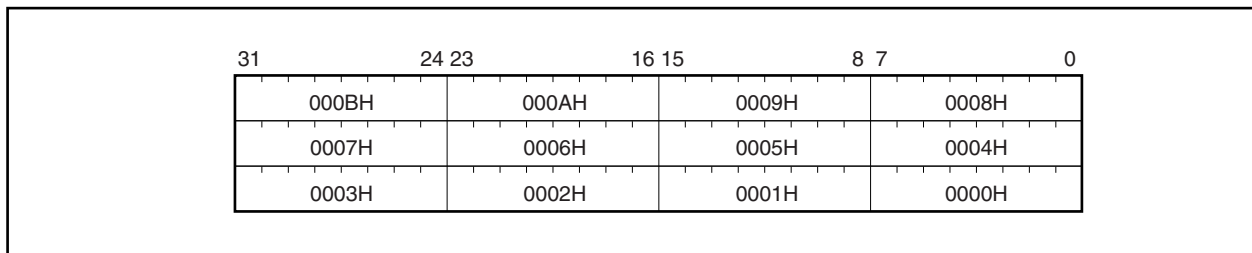
The V850ES/JG3-L accesses the on-chip peripheral I/O and external memory in 8-bit, 16-bit, or 32-bit units. The bus size is as follows.

- The bus size of the on-chip peripheral I/O is fixed to 16 bits.
- The bus size of the external memory is selectable from 8 bits or 16 bits (by using the BSC register).

The operation when each of the above is accessed is described below. All data is accessed starting from the lower side.

The V850ES/JG3-L supports only the little endian format.

Figure 5-2. Little Endian Address in Word Data



(1) Data space

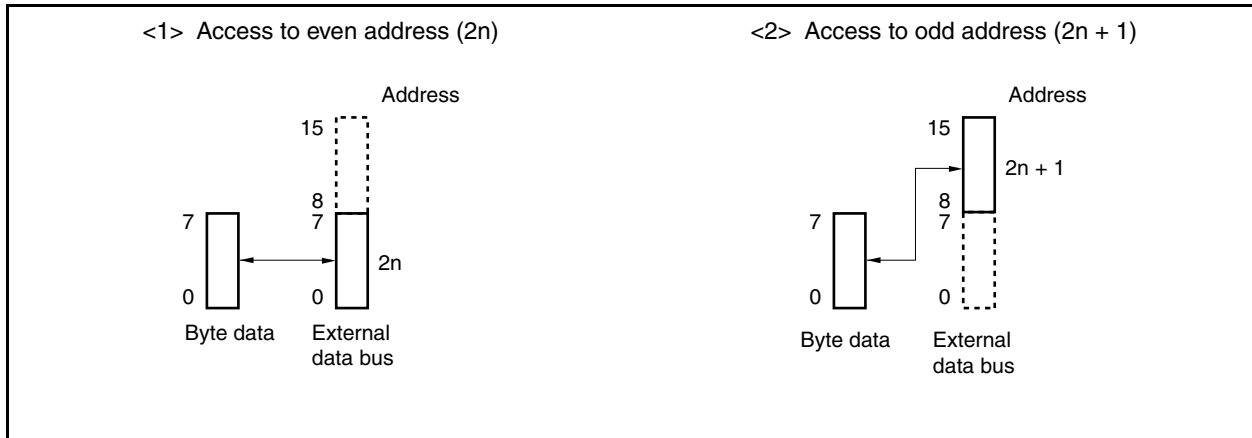
The V850ES/JG3-L has an address misalign function.

With this function, data can be placed at all addresses, regardless of the format of the data (word data or halfword data). However, if the word data or halfword data is not aligned at the boundary, redundant bus cycles are generated, causing the bus efficiency to drop.

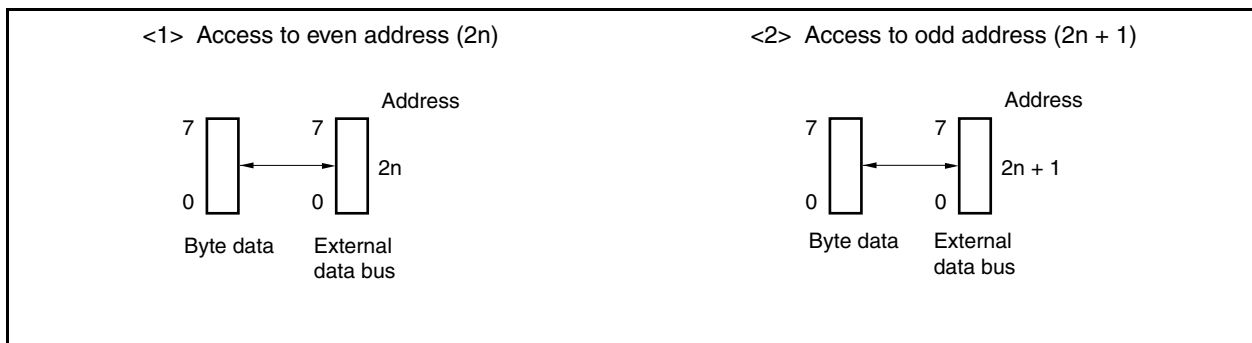
Examples of an 8-bit, 16-bit, and 32-bit access are shown below.

(2) Byte access (8 bits)**(a) 16-bit data bus width**

8-bit data is transmitted/received via a 16-bit bus. Therefore, if an even address is specified, the lower byte of the external data bus is accessed. If an odd address is specified, the higher byte of the external data bus is accessed.

**(b) 8-bit data bus width**

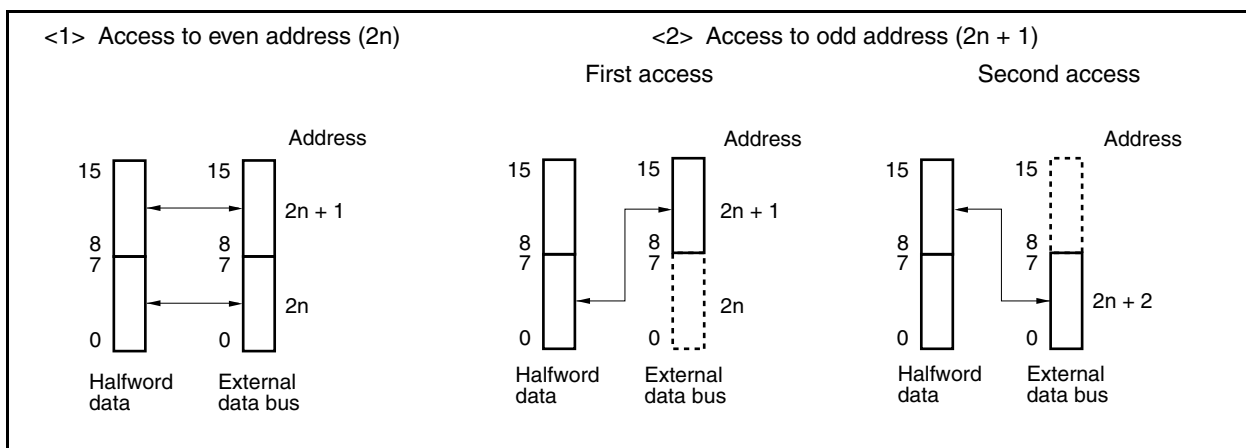
8-bit data is transmitted/received via an 8-bit bus. Therefore, the specified even/odd address of the external data bus is accessed.



(3) Halfword access (16 bits)

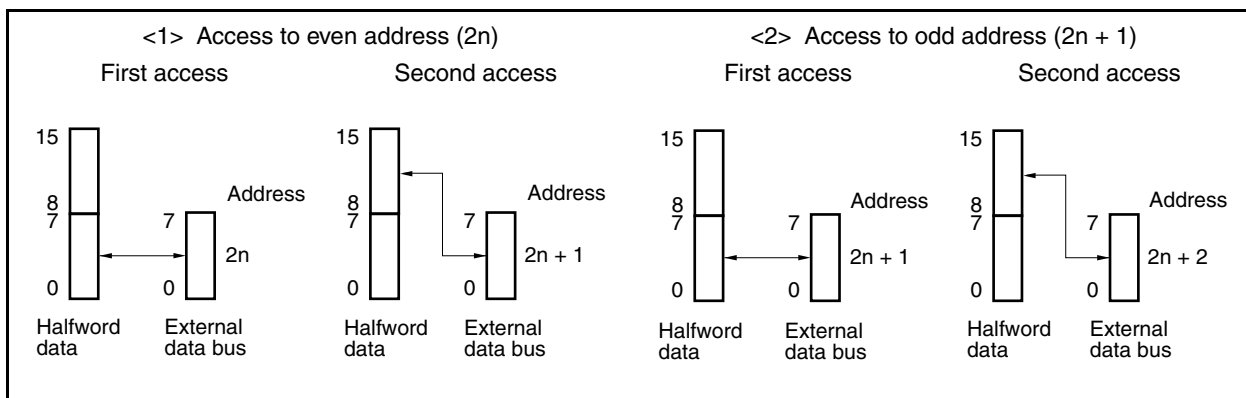
(a) 16-bit data bus width

16-bit data is transmitted/received via a 16-bit bus. Therefore, if an even address is specified, the lower and higher bytes of the external data bus address are accessed at the same time. If an odd address is specified, the lower byte of the data is transmitted/received to/from an odd address via the higher byte of the external data bus address in the first access. In the second access, the higher byte of the data is transmitted/received to/from an odd address via the lower byte of the external data bus address.



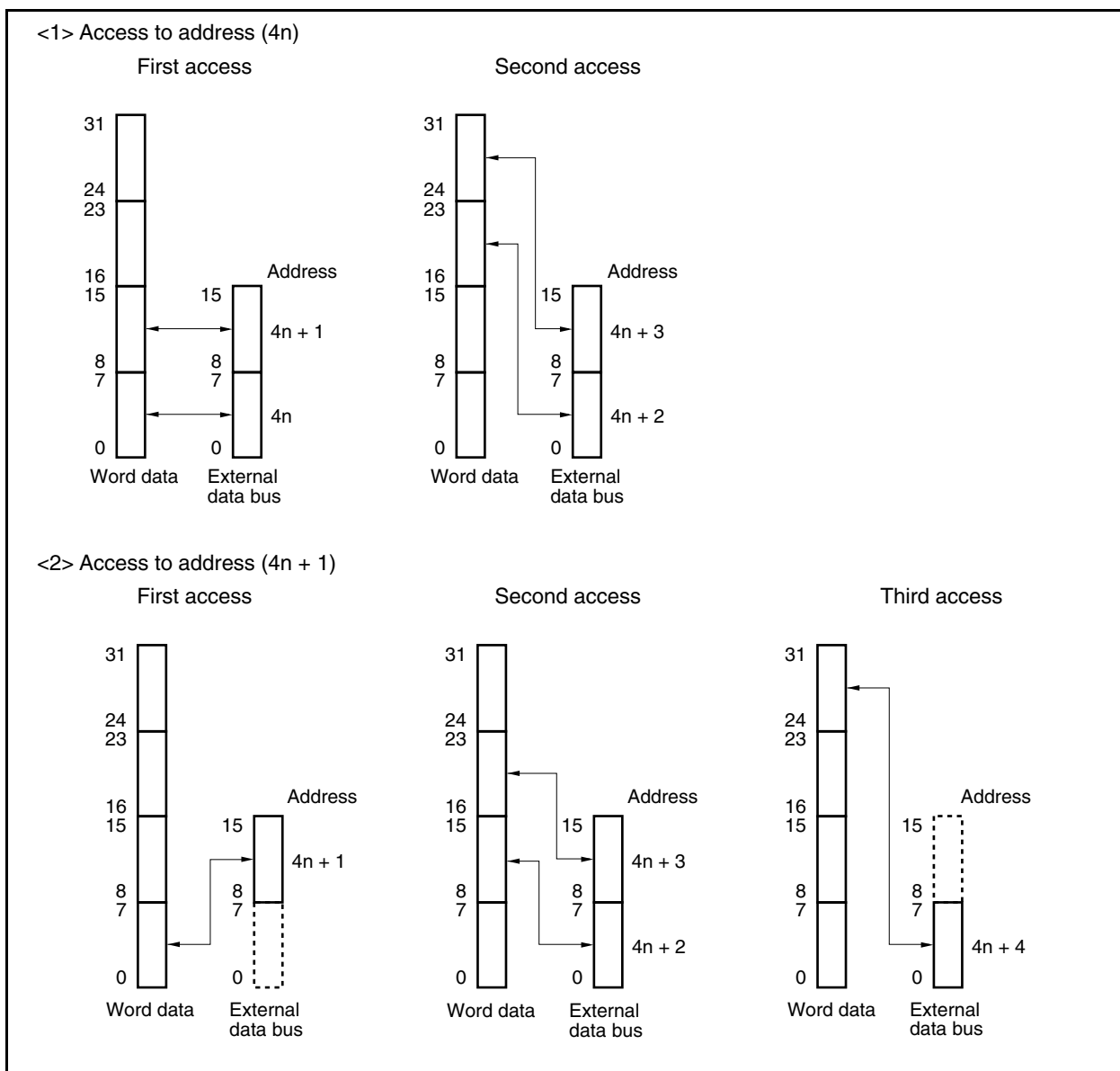
(b) 8-bit data bus width

16-bit data is transmitted/received via an 8-bit bus. Therefore, the data is transmitted/received in two accesses. The lower/higher byte of the data is transmitted/received to/from the corresponding lower/higher byte of the external bus address.

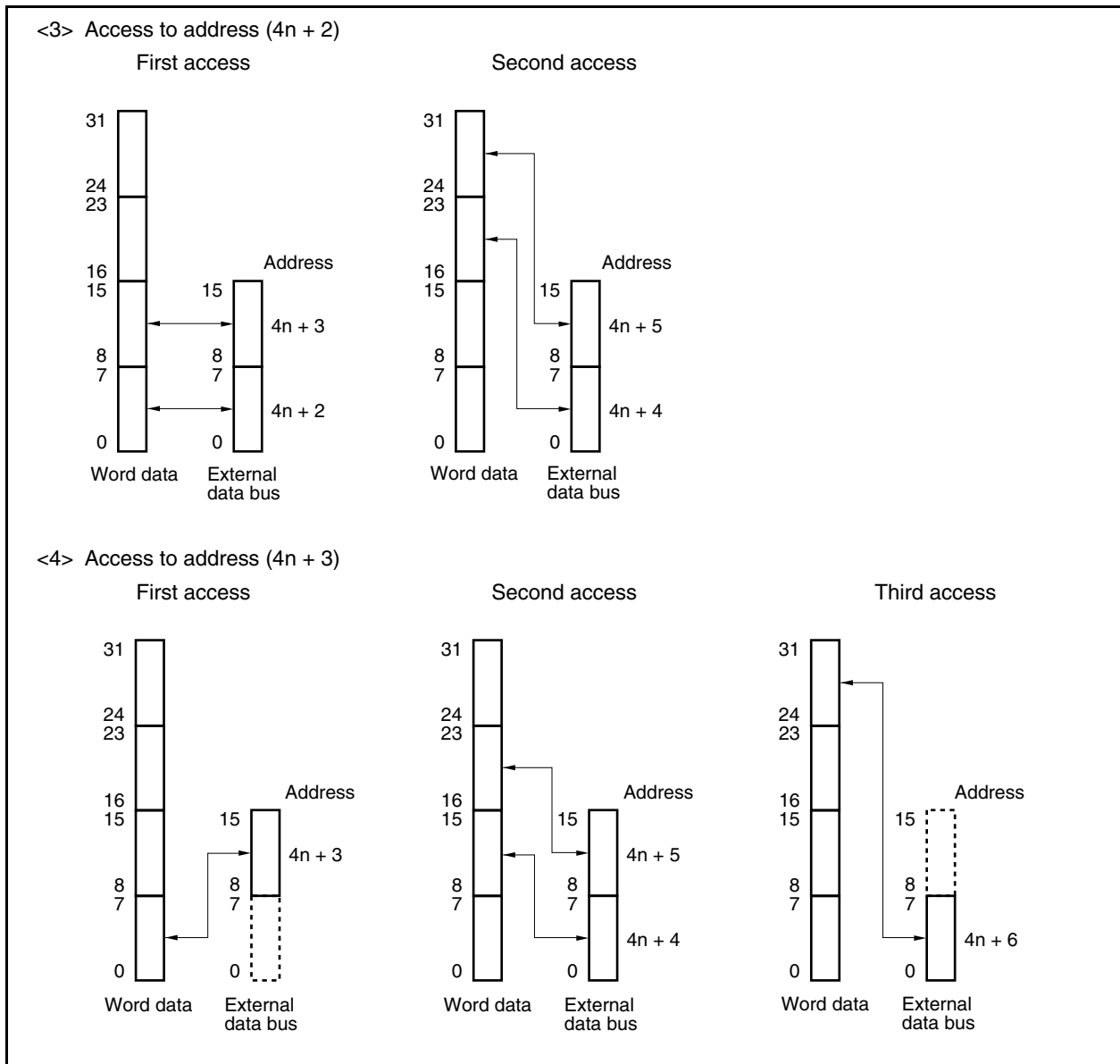


(4) Word access (32 bits)**(a) 16-bit data bus width (1/2)**

32-bit data is transmitted/received via a 16-bit bus. Therefore, if an even address is specified, the data is transmitted/received in two accesses in 16-bit units. If an odd address is specified, the lower quarter-word data is transmitted/received to/from the higher byte (first access), the middle halfword data is transmitted/received to/from the middle bytes (second access), and the upper quarter-word data is transmitted/received to/from the lower byte (third access), of the external data bus address.

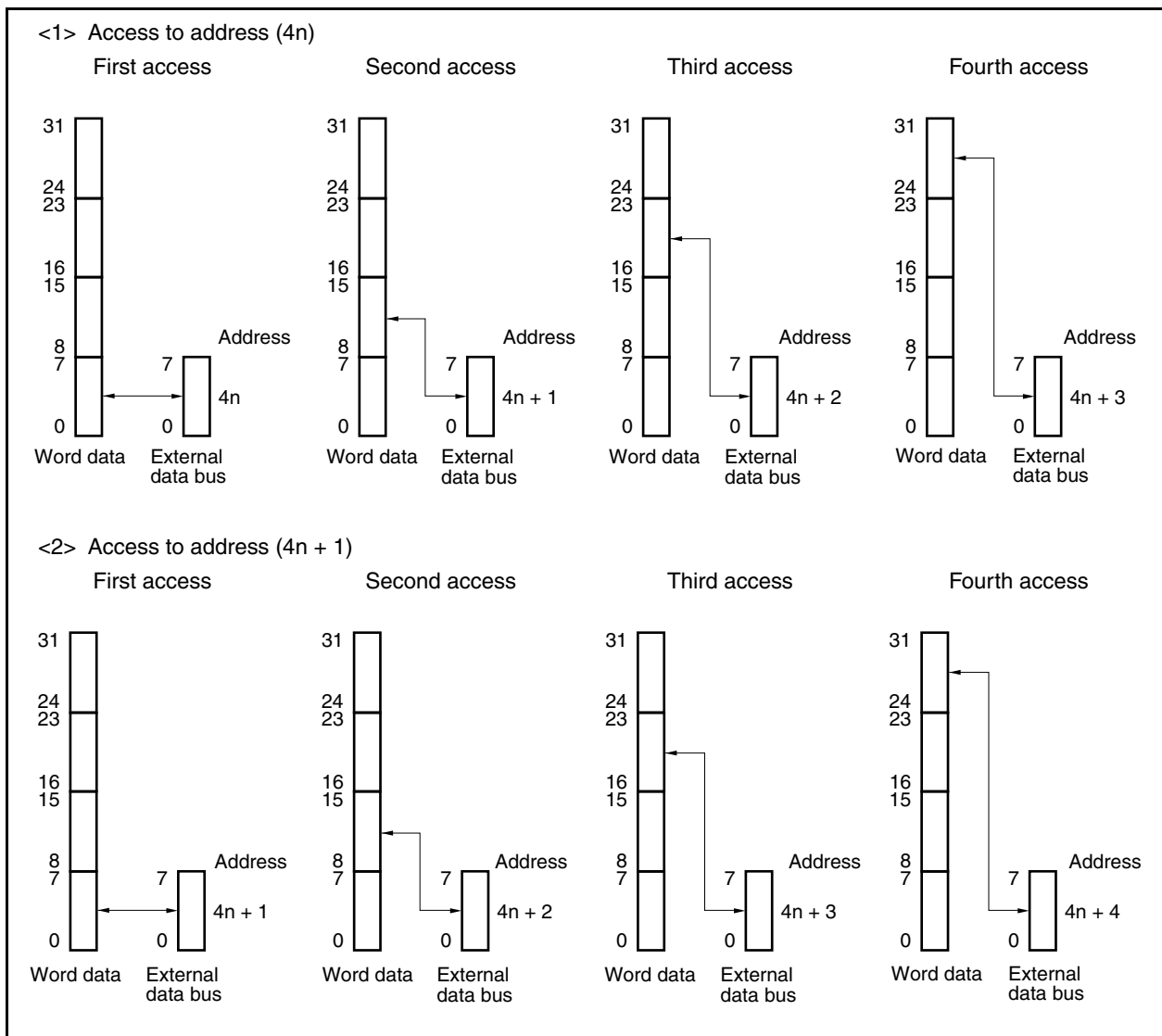


(a) 16-bit data bus width (2/2)

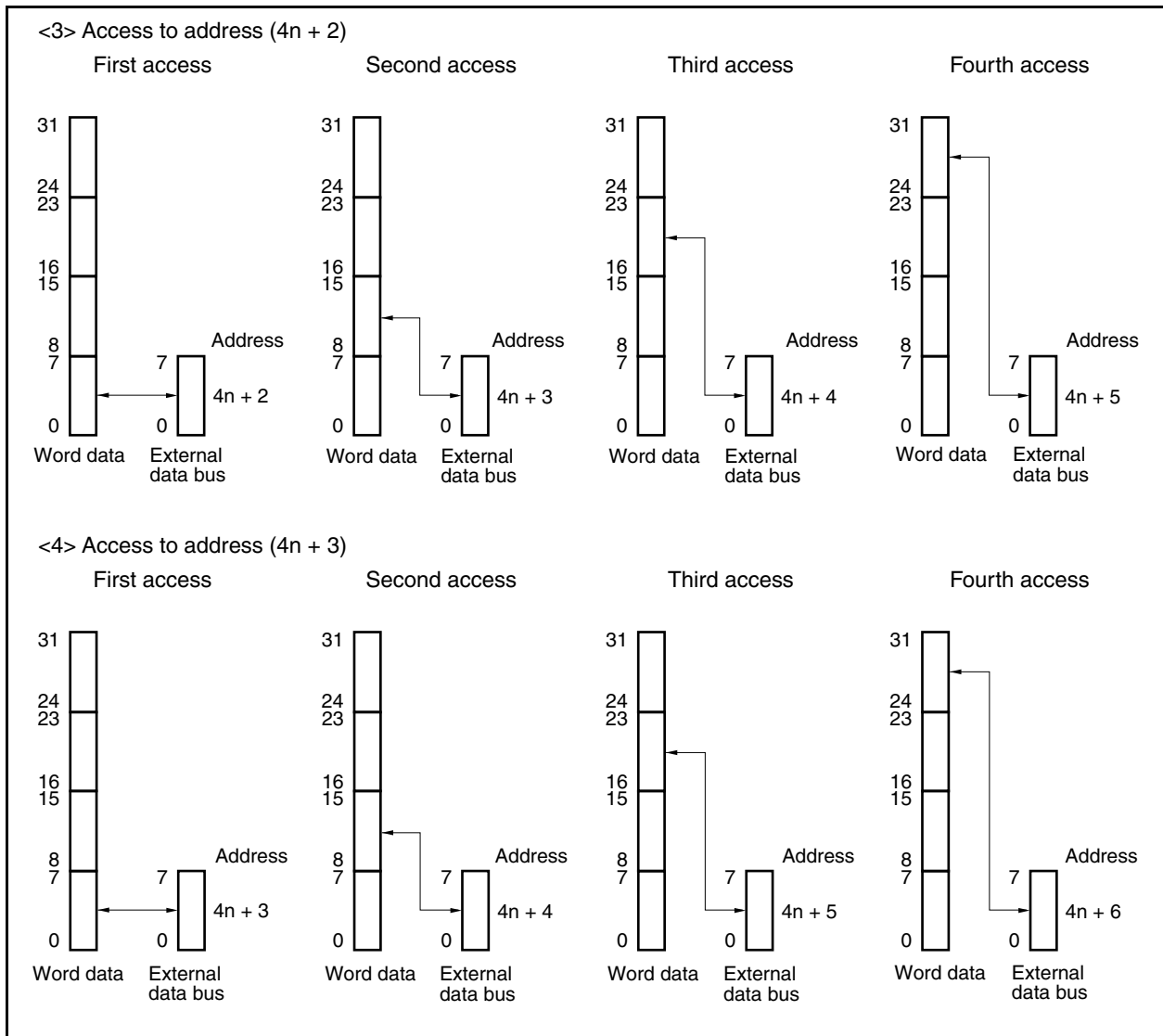


(b) 8-bit data bus width (1/2)

32-bit data is transmitted/received via an 8-bit bus. Therefore, the data is transmitted/received in four accesses. The data is transmitted/received to/from the specified even/odd address of the external data bus.



(b) 8-bit data bus width (2/2)



5.5 Wait Function

5.5.1 Programmable wait function

(1) Data wait control register 0 (DWC0)

To realize interfacing with a low-speed memory or I/O device, up to seven data wait states can be inserted in the bus cycle that is executed for each memory block space.

The number of wait states can be programmed by using the DWC0 register. Immediately after system reset, 7 data wait states are inserted for all the memory block areas.

The DWC0 register can be read or written in 16-bit units.

Reset sets this register to 7777H.

- Cautions**
1. The internal ROM and internal RAM areas are not subject to programmable wait, and are always accessed without a wait state. The on-chip peripheral I/O area is also not subject to programmable wait, and only wait control from each peripheral function is performed.
 2. Write to the DWC0 register after reset, and then do not change the set values. Also, when changing the initial values of the DWC0 register, do not access an external memory area until the settings are complete.

After reset: 7777H R/W Address: FFFFF484H

	15	14	13	12	11	10	9	8
DWC0	0	DW32	DW31	DW30	0	DW22	DW21	DW20
		Memory block 3				Memory block 2		
	7	6	5	4	3	2	1	0
	0	DW12 ^{Note}	DW11 ^{Note}	DW10 ^{Note}	0	DW02	DW01	DW00
	Memory block n signal				Memory block 0			

DWn2	DWn1	DWn0	Number of wait states inserted in memory block n space (n = 0 to 3)
0	0	0	None
0	0	1	1
0	1	0	2
0	1	1	3
1	0	0	4
1	0	1	5
1	1	0	6
1	1	1	7

Note The DW12 to DW10 bits are used to specify whether to insert access wait states for the USB function controller. When using the USB function controller, set these bits to 001B (which specifies inserting 1 wait state).

Caution Be sure to clear bits 15, 11, 7, 3 to “0”.

5.5.2 External wait function

To synchronize a low-speed device or asynchronous system, any number of wait states can be inserted in the bus cycle by using the external wait pin ($\overline{\text{WAIT}}$).

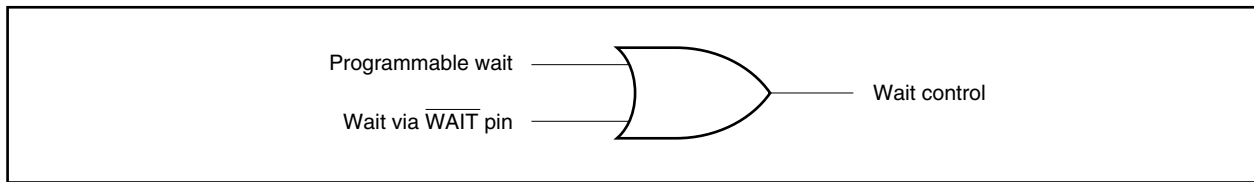
Access to each area of the internal ROM, internal RAM, and on-chip peripheral I/O is not subject to control by the external wait function, in the same manner as the programmable wait function.

The $\overline{\text{WAIT}}$ signal can be input asynchronously to CLKOUT, and is sampled at the falling edge of the clock in the T2 and TW states of the bus cycle. If the setup/hold time of the sampling timing is not satisfied, whether a wait state is inserted in the next state is undefined.

The $\overline{\text{WAIT}}$ input function is enabled by setting the PMCCM.PMCCM0 bit to 1 (see **4.3.8 Port CM**).

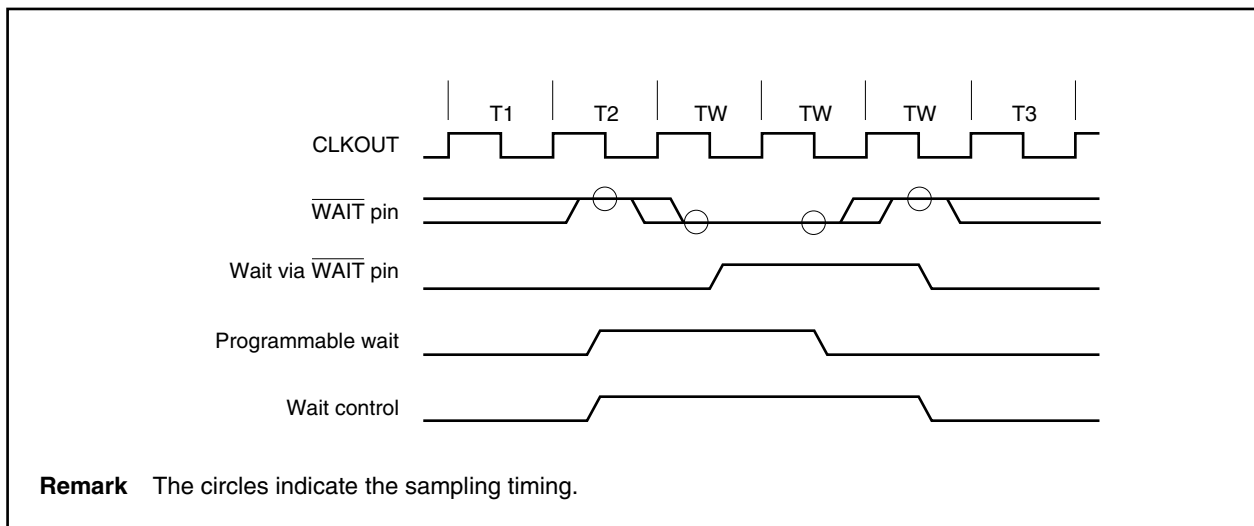
5.5.3 Relationship between programmable wait and external wait

Wait cycles are inserted as the result of an OR operation between the wait cycles specified by the set programmable wait value and the wait cycles controlled by the $\overline{\text{WAIT}}$ pin.



For example, if the timing of the programmable wait and the $\overline{\text{WAIT}}$ pin signal is as shown in the Figure 5-3, three wait states will be inserted in the bus cycle. If wait insertion is controlled by the $\overline{\text{WAIT}}$ pin, wait states might not be inserted at the expected timing. In this case, adjust the insertion timing by specifying a programmable wait value.

Figure 5-3. Example of Inserting Wait States



5.5.4 Programmable address wait function

Address-setup or address-hold waits to be inserted in each bus cycle can be set by using the AWC register. Address wait insertion is set for each memory block area (memory blocks 0 to 3).

If an address-setup wait is inserted, it seems that the high-clock period of the T1 state is extended by 1 clock. If an address-hold wait is inserted, it seems that the low-clock period of the T1 state is extended by 1 clock.

(1) Address wait control register (AWC)

This register can be read or written in 16-bit units.

Reset sets this register to FFFFH.

Cautions 1. The internal ROM, internal RAM, and on-chip peripheral I/O areas are not subject to address-setup wait or address-hold wait insertion.

2. Write the AWC register after reset, and then do not change the set values. Also, when changing the initial values of the AWC register, do not access an external memory area until the settings are complete.

After reset: FFFFH R/W Address: FFFF488H

	15	14	13	12	11	10	9	8
AWC	1	1	1	1	1	1	1	1
	7	6	5	4	3	2	1	0
	AHW3	ASW3	AHW2	ASW2	AHW1 ^{Note}	ASW1 ^{Note}	AHW0	ASW0

Memory block n signal

	Memory block 3		Memory block 2		Memory block 0	
--	----------------	--	----------------	--	----------------	--

AHWn	Specifies insertion of address-hold wait (n = 0 to 3)
0	Not inserted
1	Inserted

ASWn	Specifies insertion of address-setup wait (n = 0 to 3)
0	Not inserted
1	Inserted

Note The AHW1 and ASW1 bits are used to specify whether to insert wait states for the USB function controller. When using the USB function controller, set these bits to 00B.

Caution Be sure to set bits 15 to 8, to “1”.

5.6 Idle State Insertion Function

To realize interfacing with a low-speed device, one idle state (TI) can be inserted after the T3 state only in the read access of the bus cycle that is executed for each space selected. By inserting idle states, the data output float delay time of the memory can be secured during a read access (an idle state cannot be inserted during a write access).

Whether an idle state is to be inserted can be programmed by using the BCC register.

An idle state is inserted for all the areas immediately after system reset.

(1) Bus cycle control register (BCC)

This register can be read or written in 16-bit units.

Reset sets this register to AAAAH.

- Cautions 1. The internal ROM, internal RAM, and on-chip peripheral I/O areas are not subject to idle state insertion.**
- 2. Write to the BCC register after reset, and then do not change the set values. Also, when changing the initial values of the BCC register, do not access an external memory area until the settings are complete.**

After reset: AAAAH R/W Address: FFFFF48AH

	15	14	13	12	11	10	9	8
BCC	1	0	1	0	1	0	1	0
	7	6	5	4	3	2	1	0
	BC31	0	BC21	0	BC11 ^{Note}	0	BC01	0
	Memory block 3		Memory block 2		Memory block 0			

Memory block n signal

BCn1	Specifies insertion of idle state (n = 0 to 3)
0	Not inserted
1	Inserted

Note The BC11 bit is used to specify whether to insert idle states for the USB function controller. When using the USB function controller, set this bit to 0.

Caution **Be sure to set bits 15, 13, 11, and 9 to “1”, and clear bits 14, 12, 10, 8, 6, 4, 2, and 0 to “0”.**

5.7 Bus Hold Function

5.7.1 Functional outline

The $\overline{\text{HLDRQ}}$ and $\overline{\text{HLDK}}$ signals are valid if the PCM2 and PCM3 pins are set to the control mode.

When the $\overline{\text{HLDRQ}}$ signal is asserted (low level), indicating that another bus master has requested bus mastership, the external address/data bus goes into a high-impedance state, the $\overline{\text{HLDK}}$ signal is asserted (low level), and the bus is released (bus hold status). If the request for the bus mastership is cleared and the $\overline{\text{HLDRQ}}$ signal is deasserted (high level), driving these signals is started again.

During the bus hold period, the CPU continues executing the program in the internal ROM and internal RAM until an on-chip peripheral I/O register or the external memory is accessed.

The bus hold function enables the configuration of multi-processor type systems in which two or more bus masters exist.

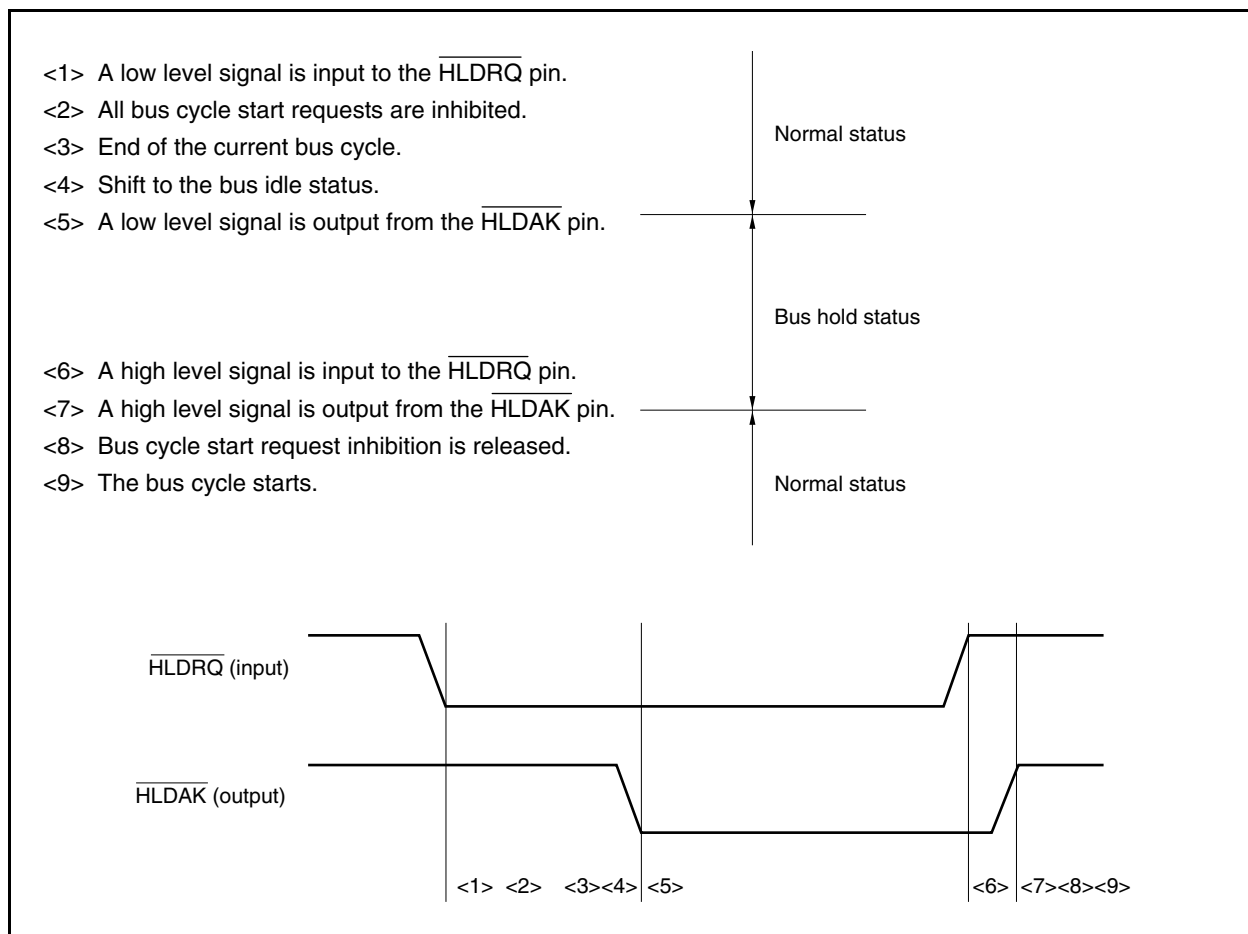
Note that a bus hold request is not acknowledged during a multiple-access cycle initiated by the bus sizing function or a bit manipulation instruction. The timing at which a bus hold request is not acknowledged is shown below.

Table 5-4. Timing at Which Bus Hold Request Is Not Acknowledged

Status	Data Bus Width	Access Type	Timing at Which Bus Hold Request Is Not Acknowledged
CPU bus lock	16 bits	Word access to even address	Between first and second access
		Word access to odd address	Between first and second access
			Between second and third access
	8 bits	Halfword access to odd address	Between first and second access
		Word access	Between first and second access
			Between second and third access
			Between third and fourth access
Halfword access	Between first and second access		
Read-modify-write access by bit manipulation instruction	–	–	Between read access and write access

5.7.2 Bus hold procedure

The bus hold status transition procedure is shown below.



5.7.3 Operation in power save mode

Because the internal system clock is stopped in the STOP and IDLE modes, the bus hold status is not entered even if the $\overline{\text{HLDRQ}}$ pin is asserted.

In the HALT mode, the $\overline{\text{HLDAK}}$ pin is asserted as soon as the $\overline{\text{HLDRQ}}$ pin has been asserted, and the bus hold status is entered. When the $\overline{\text{HLDRQ}}$ pin is later deasserted, the $\overline{\text{HLDAK}}$ pin is also deasserted, and the bus hold status is exited.

5.8 Bus Priority


Bus hold, branch instruction fetch, successive instruction fetch, operand data access, and DMA transfer are executed in the external bus cycle.

Bus hold has the highest priority, followed by DMA transfer, operand data access, branch instruction fetch, and then successive instruction fetch.

However, an instruction fetch may be inserted between the read access and write access in a read-modify-write access.

If an instruction is executed for two or more accesses, an instruction fetch and bus hold are not inserted between accesses due to bus size limitations.

Table 5-5. Bus Priority

Priority	External Bus Cycle	Bus Master
High  Low	Bus hold	External device
	DMA transfer	DMAC
	Operand data access	CPU
	Branch instruction fetch	CPU
	Successive instruction fetch	CPU

5.9 Bus Timing

Typical bus timing diagrams are shown below.

Figure 5-4. Multiplexed Bus Read Timing (Bus Size: 16 Bits, 16-bit Access)

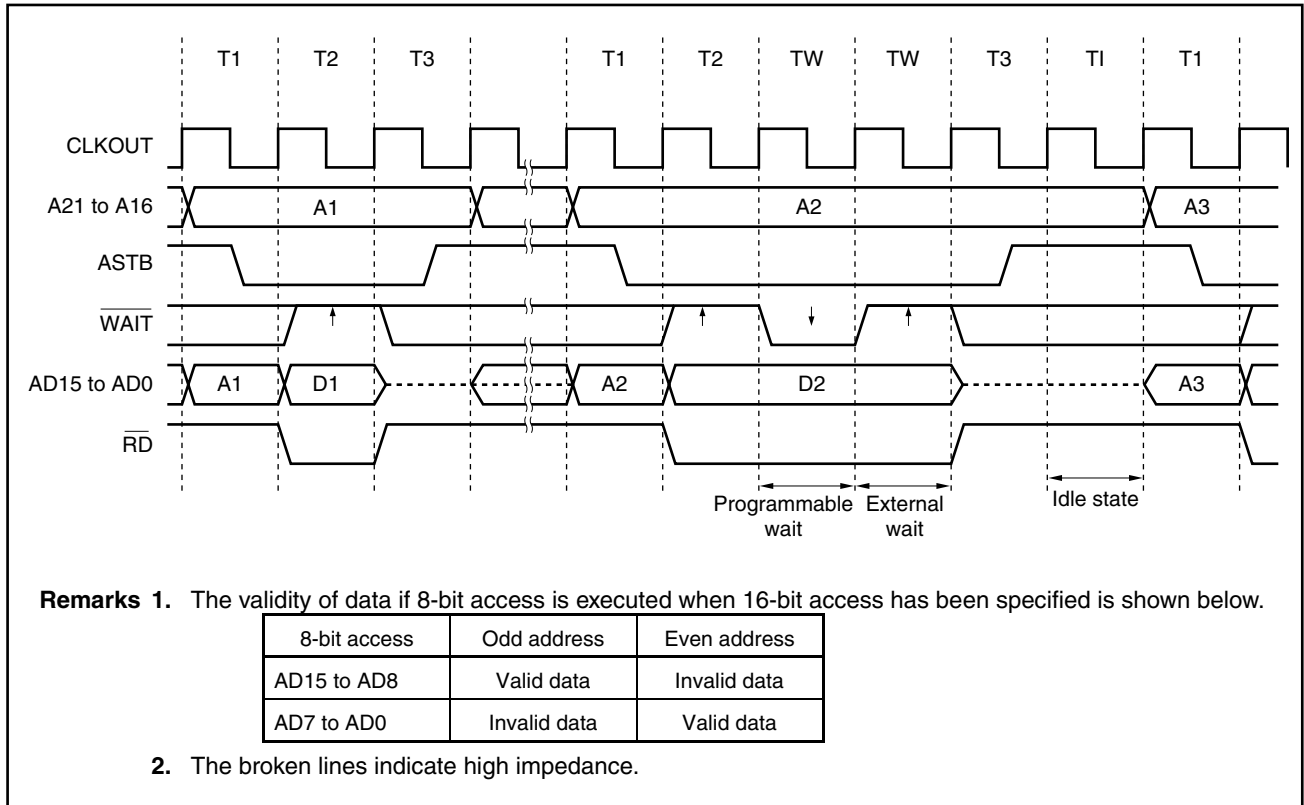


Figure 5-5. Multiplexed Bus Read Timing (Bus Size: 8 Bits)

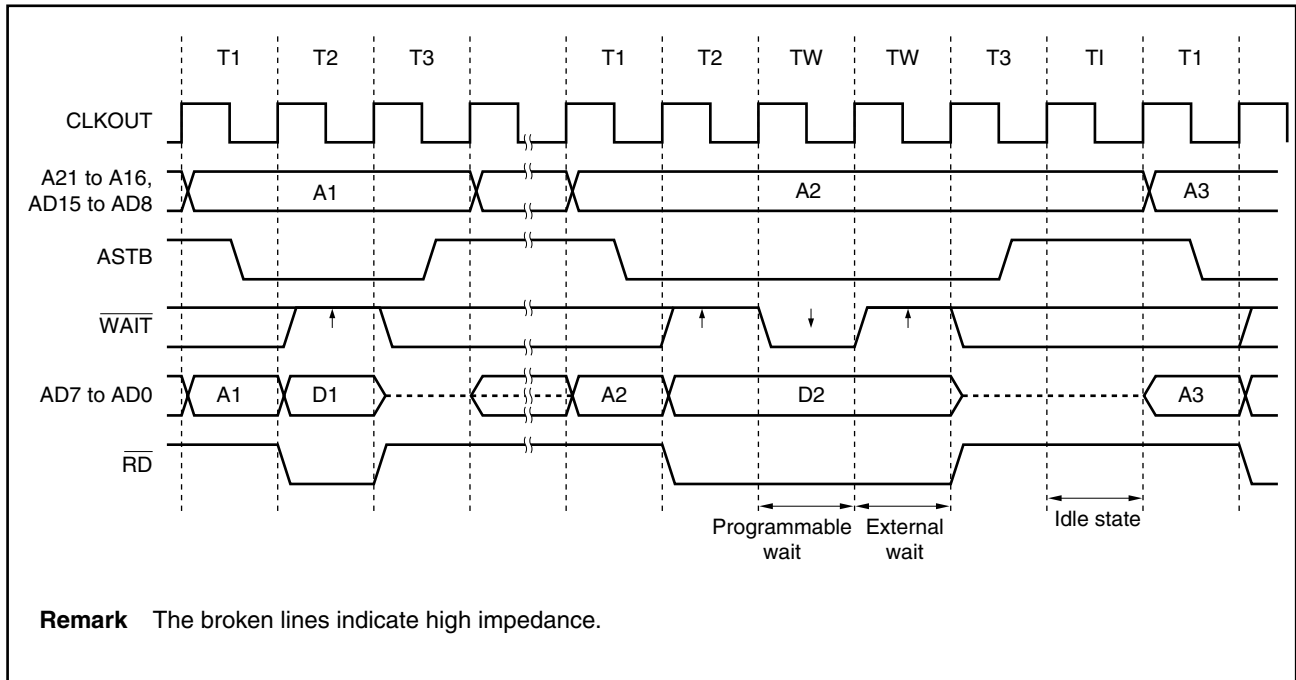


Figure 5-6. Multiplexed Bus Write Timing (Bus Size: 16 Bits, 16-bit Access)

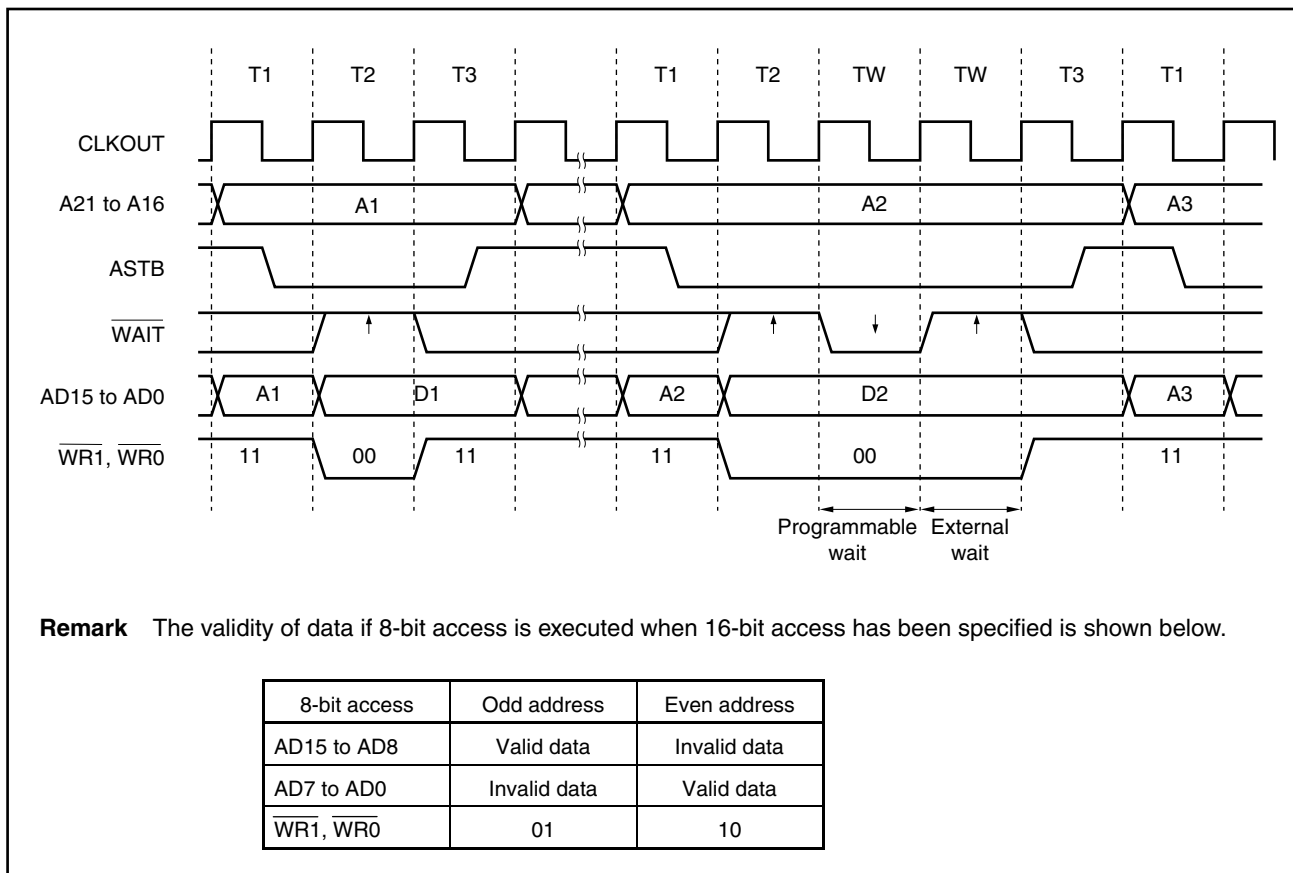


Figure 5-7. Multiplexed Bus Write Timing (Bus Size: 8 Bits)

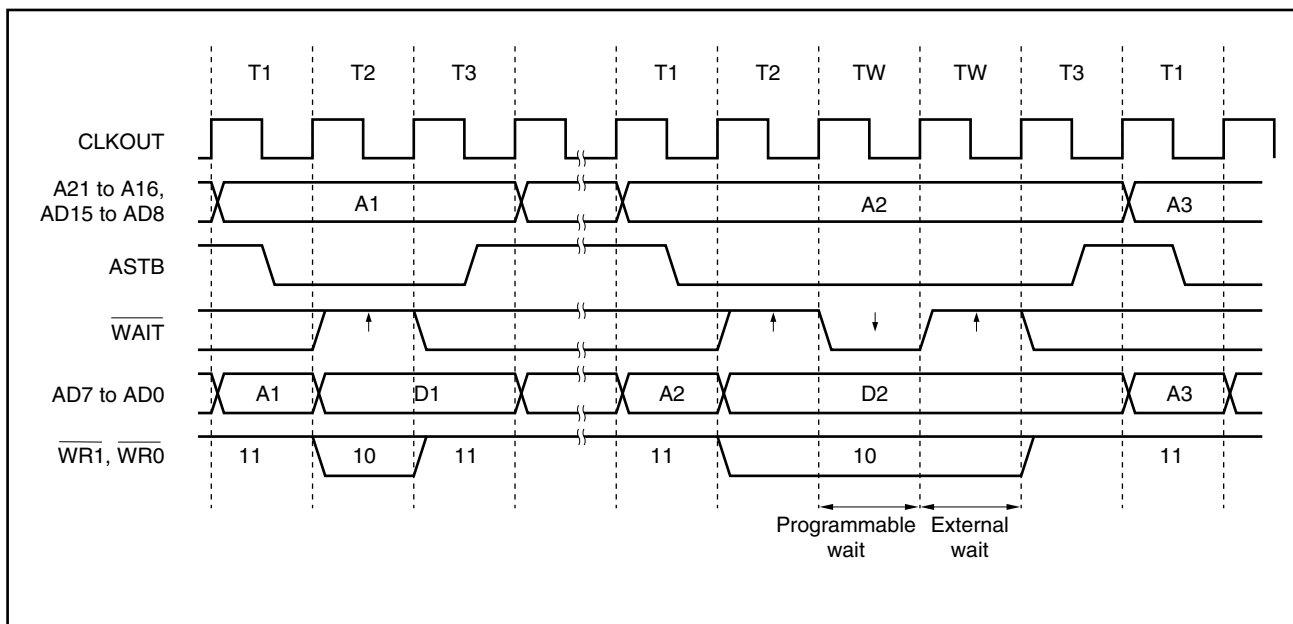


Figure 5-8. Multiplexed Bus Hold Timing (Bus Size: 16 Bits, 16-bit Access)

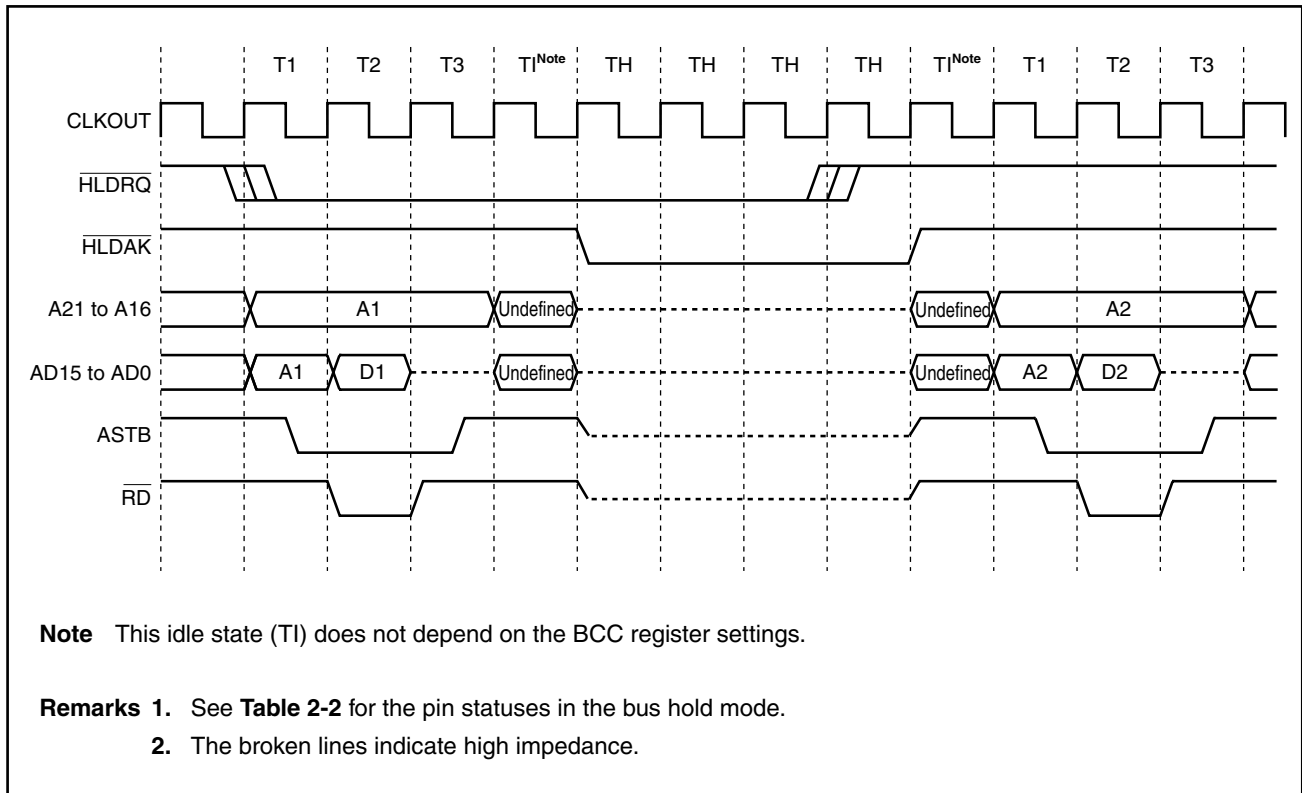
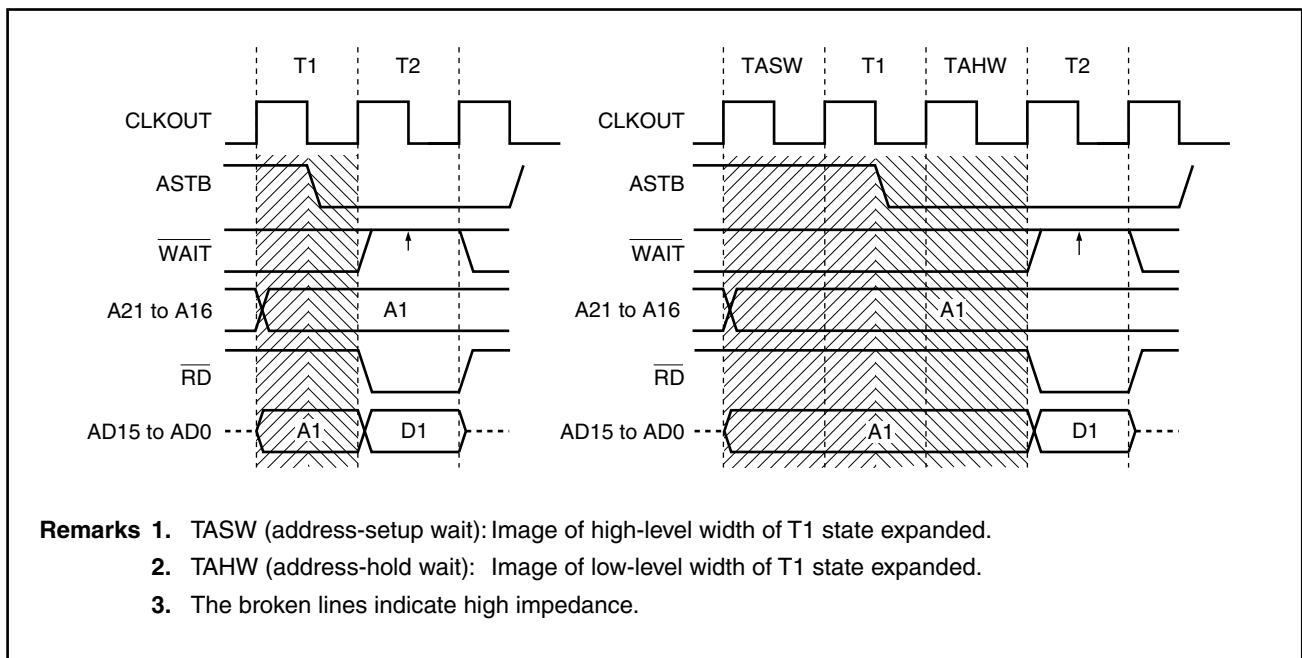


Figure 5-9. Address Wait Timing (Bus Size: 16 Bits, 16-bit Access)



CHAPTER 6 CLOCK GENERATOR

6.1 Overview

The clock generator generates the clock signals that are input to the CPU and peripherals. The clock generator includes a PLL circuit, which enables the clock frequency to be multiplied by four or eight. The clock frequency can also be divided before clock signals are input to the CPU or on-chip peripherals. Clock oscillation can also be stopped to save power.

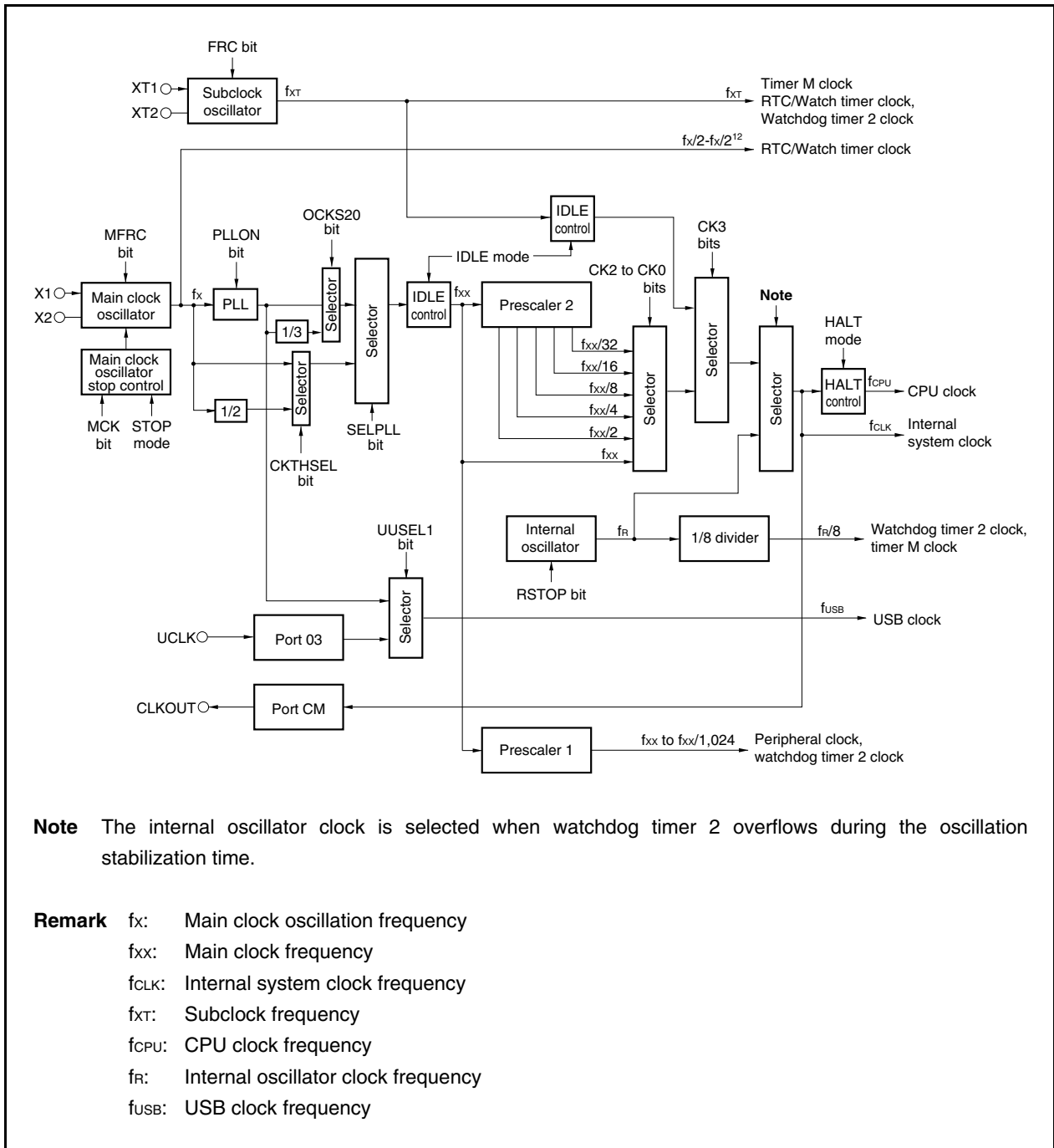
The clock generator has the following features:

- Main clock oscillator
 - When USB is not used
 - In clock-through mode : $f_x = 2.5$ to 10 MHz ($f_{xx} = 1.25$ to 10 MHz)
 - In PLL mode : $f_x = 2.5$ to 5 MHz ($\times 4$: $f_{xx} = 10$ to 20 MHz)
 - When USB is used (UCLK is not used)
 - In clock-through mode : Setting prohibited
 - In PLL mode : $f_x = 6$ MHz ($\times 8, 1/3$: $f_{xx} = 16$ MHz, $f_{USB} = 48$ MHz)
 - When USB is used (UCLK is used)
 - In clock-through mode : $f_x = 2.5$ to 10 MHz ($f_{xx} = 1.25$ to 10 MHz)
 - In PLL mode : $f_x = 2.5$ to 4 MHz ($\times 4$: $f_{xx} = 10$ to 16 MHz)
 - $f_x = 6$ MHz ($\times 8, 1/3$: $f_{xx} = 16$ MHz)
- Subclock oscillator
 - $f_{XT} = 32.768$ kHz
- Internal oscillator
 - $f_R = 220$ kHz (TYP.)
- Multiplication ($\times 4$) function via PLL (Phase Locked Loop)
 - Clock-through mode/PLL mode selectable ($f_x = 2.5$ to 5 MHz)
- Internal system clock generation
 - 7 steps (f_{xx} , $f_{xx}/2$, $f_{xx}/4$, $f_{xx}/8$, $f_{xx}/16$, $f_{xx}/32$, f_{XT})
- Peripheral clock generation
- Clock output

Remark f_x : Main clock oscillation frequency
 f_{xx} : Main clock frequency
 f_{XT} : Subclock frequency
 f_R : Internal oscillator clock frequency

6.2 Configuration

Figure 6-1. Clock Generator



(1) Main clock oscillator

The main clock oscillator uses a ceramic/crystal resonator connected to X1 and X2 pins to oscillate the following frequencies (f_x).

(a) When USB is not used

- In clock-through mode: $f_x = 2.5$ to 10 MHz ($f_{xx} = 1.25$ to 10 MHz)
- In PLL mode: $f_x = 2.5$ to 5 MHz ($\times 4$: $f_{xx} = 10$ to 20 MHz)

An external clock of the following frequency is input to the X1 pin.

- In clock-through mode: $f_x = 2.5$ to 6 MHz ($f_{xx} = 1.25$ to 6 MHz)
- PLL mode: $f_x = 2.5$ to 5 MHz ($\times 4$: $f_{xx} = 10$ to 20 MHz)

(b) When USB is used (UCLK is not used) ^{Note}

- In clock-through mode: Setting prohibited
- In PLL mode: $f_x = 6$ MHz ($\times 8, 1/3$: $f_{xx} = 16$ MHz, $f_{USB} = 48$ MHz)

An external clock of the following frequency is input to the X1 pin.

- PLL mode: $f_x = 6$ MHz ($\times 8, 1/3$: $f_{xx} = 16$ MHz, $f_{USB} = 48$ MHz)

(c) When USB is used (UCLK is used)

- In clock-through mode: $f_x = 2.5$ to 10 MHz ($f_{xx} = 1.25$ to 10 MHz)
- In PLL mode: $f_x = 2.5$ to 4 MHz ($\times 4$: $f_{xx} = 10$ to 16 MHz)
 $f_x = 6$ MHz ($\times 8, 1/3$: $f_{xx} = 16$ MHz)

An external clock of the following frequency is input to the X1 pin.

- In clock-through mode: $f_x = 2.5$ to 6 MHz ($f_{xx} = 1.25$ to 6 MHz)
- PLL mode: $f_x = 2.5$ to 4 MHz ($\times 4$: $f_{xx} = 10$ to 16 MHz)
 $f_x = 6$ MHz ($\times 8, 1/3$: $f_{xx} = 16$ MHz)

Note Apply a clock with an accuracy of 6 MHz ± 500 ppm (max.) to satisfy the USB rating of USB communication data.

(2) Subclock oscillator

The subclock oscillator oscillates a frequency of 32.768 kHz (f_{XT}).

this is in the RTC backup area and causes the subclock to continue oscillating even in the RTC backup mode.

(3) Main clock oscillator stop control

This circuit generates a control signal that stops oscillation of the main clock oscillator.

Oscillation of the main clock oscillator is stopped in the STOP mode or when the PCC.MCK bit is 1 (valid only when the PCC.CLS bit is 1).

(4) Internal oscillator

Oscillates a frequency (f_R) of 220 kHz (TYP.).

(5) Prescaler 1

This prescaler generates the clock (f_{xx} to $f_{xx}/1,024$) to be supplied to the following on-chip peripheral functions: TMP0 to TMP5, TMQ0, TMM0, CSIB0 to CSIB4, UARTA0 to UARTA5, UARTC0, I²C00 to I²C02, ADC, and WDT2

(6) Prescaler 2

This circuit divides the main clock (f_{xx}).

The clock generated by prescaler 2 (f_{xx} to $f_{xx}/32$) is supplied to the selector that generates the CPU clock (f_{CPU}) and internal system clock (f_{CLK}).

f_{CLK} is the clock supplied to the INTC, ROM, RAM, and DMA blocks, and can be output from the CLKOUT pin.

(7) PLL

This circuit multiplies the clock generated by the main clock oscillator (f_x) by 4 or 8.

It operates in two modes: clock-through mode in which f_x is output as is, and PLL mode in which a multiplied clock is output. These modes can be selected by using the PLLCTL.SELPLL bit.

PLL is started or stopped by the PLLCTL.PLLON bit.

(8) Clock I/O Circuit

This circuit outputs the internal system clock to the CLKOUT pin.

The PMCCM1 bit of the PMCCM register for port CM controls whether the PMC1 pin operates as an I/O port or as CLKOUT output.

(9) OPS2 control Circuit

This circuit divides the clock multiplied by and output from the PLL circuit by an odd number.

When using the USB function controller, a main clock oscillation frequency (f_x) of 6 MHz is multiplied by 8 to generate a 48 MHz USB clock. The OPS2 circuit divides this clock by 3 and the resulting 16 MHz clock is used as the main clock to run peripherals other than the USB function controller.

6.3 Registers

(1) Processor clock control register (PCC)

The PCC register is a special register. Data can be written to this register only in combination of specific sequences (see 3.4.7 **Special registers**).

This register can be read or written in 8-bit or 1-bit units.

Reset sets this register to 03H.

(1/2)

After reset: 03H R/W Address: FFFFF828H

	7	<6>	5	<4>	<3>	2	1	0
PCC	FRC ^{Notes1,2}	MCK	MFRC	CLS ^{Note3}	CK3	CK2	CK1	CK0

FRC ^{Notes1,2}	Use of subclock on-chip feedback resistor
0	Used
1	Not used

MCK	Main clock oscillator control
0	Oscillation enabled
1	Oscillation stopped

MFRC	Use of main clock on-chip feedback resistor
0	Used (when ceramic/crystal resonator is used)
1	Not used (when external clock is used)

CLS ^{Note3}	Status of CPU clock (f _{cpu})
0	Main clock operation
1	Subclock operation

CK3	CK2	CK1	CK0	Clock selection (f _{clk} /f _{cpu})
0	0	0	0	f _{xx}
0	0	0	1	f _{xx} /2
0	0	1	0	f _{xx} /4
0	0	1	1	f _{xx} /8 (Initial value)
0	1	0	0	f _{xx} /16
0	1	0	1	f _{xx} /32
0	1	1	×	Setting prohibited
1	×	×	×	f _{XT}

- Notes1.** When the FRC bit is set (to 1), the subclock stops oscillating
- 2.** When return to the RTC backup mode, specify RTCBUMCTL0. RBMSET (to 0) and then set the FRC bit (to 1)
- 3.** The CLS bit is a read-only bit.

(2/2)

- Cautions**
1. Do not change the CPU clock (by using the CK3 to CK0 bits) while CLKOUT is being output.
 2. Use a bit manipulation instruction to manipulate the CK3 bit. When using an 8-bit manipulation instruction, do not change the set values of the CK2 to CK0 bits.
 3. When the external clock is used, set the MFRC bit to "1" so as not to use the internal feedback resistor.
 4. Even if the MCK bit is set (1) while the system is operating with the main clock as the CPU clock, the operation of the main clock does not stop. It stops after the CPU clock has been changed to the subclock.
 5. Before changing the MCK bit from 0 to 1, stop the on-chip peripheral functions operating on the main clock.
 6. When the main clock is stopped and the device is operating on the subclock, clear (0) the MCK bit and secure the oscillation stabilization time by software before switching the CPU clock to the main clock or operating the on-chip peripheral functions.

Remark ×: don't care

(a) Example of changing main clock operation to subclock operation

- <1> CK3 bit ← 1: Use of a bit manipulation instruction is recommended. Do not change the CK2 to CK0 bits.
- <2> Subclock operation: Read the CLS bit to check if subclock operation has started. It takes the following time after the CK3 bit is set until subclock operation is started.
Max.: $1/f_{XT}$ (1/subclock frequency)
- <3> MCK bit ← 1: Set the MCK bit to 1 only when stopping the main clock.

Cautions 1. When stopping the main clock, stop the PLL. Also stop the operations of the on-chip peripheral functions operating on the main clock.

- 2. If the following condition is not satisfied, change the CK2 to CK0 bits so that the condition is satisfied, then change to the subclock operation mode.**

$$\text{Internal system clock (f}_{CLK}\text{)} > \text{Subclock (f}_{XT}\text{: 32.768 kHz)} \times 4$$

Remark Internal system clock (f_{CLK}): Clock generated from the main clock (f_{XX}) by setting bits CK2 to CK0

[Description example]

```

_DMA_DISABLE:
  clr1      0, DCHCn[r0]      -- DMA operation disabled. n = 0 to 3
<1> _SET_SUB_RUN :
  st.b      r0, PRCMD[r0]
  set1      3, PCC[r0]        -- CK3 bit ← 1
<2> _CHECK_CLS :
  tst1      4, PCC[r0]        -- Wait until subclock operation starts.
  bz        _CHECK_CLS
<3> _STOP_MAIN_CLOCK :
  st.b      r0, PRCMD[r0]
  set1      6, PCC[r0]        -- MCK bit ← 1, main clock is stopped.
_DMA_ENABLE:
  set1      0, DCHCn[r0]      -- DMA operation enabled. n = 0 to 3

```

Remark The description above is simply an example. Note that in <2> above, the CLS bit is checked in a closed loop.

(b) Example of changing subclock operation to main clock operation

- <1> MCK bit ← 0: Main clock starts oscillating
- <2> Insert waits by program and wait until the oscillation stabilization time of the main clock has elapsed.
- <3> CK3 bit ← 0: Use of a bit manipulation instruction is recommended. Do not change the CK2 to CK0 bits.
- <4> Main clock operation: It takes the following time after the CK3 bit is set until main clock operation is started.
 Max.: $1/f_{XT}$ (1/subclock frequency)
 Therefore, insert one NOP instruction immediately after setting the CK3 bit to 0.

Caution Enable operation of the on-chip peripheral functions operating on the main clock only after the oscillation of the main clock stabilizes. If their operations are enabled before the lapse of the oscillation stabilization time, a malfunction may occur.

[Description example]

```

_DMA_DISABLE:
  clr1      0, DCHCn[r0]          -- DMA operation disabled. n = 0 to 3
<1> _START_MAIN_OSC :
  st.b      r0, PRCMD[r0]        -- Release of protection of special registers
  clr1      6, PCC[r0]           -- Main clock starts oscillating.
<2> movea    0x55, r0, r11       -- Wait for oscillation stabilization time.
  _WAIT_OST :
  nop
  nop
  nop
  addi      -1, r11, r11
  bnz       _WAIT_OST
<3> st.b     r0, PRCMD[r0]
  clr1      3, PCC[r0]           -- CK3 ← 0
<4> nop
_DMA_ENABLE:
  set1      0, DCHCn[r0]        -- DMA operation enabled. n = 0 to 3

```

(2) Internal oscillator mode register (RCM)

The RCM register is an 8-bit register that sets the operation mode of the internal oscillator.

This register can be read or written in 8-bit or 1-bit units.

Reset sets this register to 00H.

After reset: 00H R/W Address: FFFFF80CH

	7	6	5	4	3	2	1	<0>
RCM	0	0	0	0	0	0	0	RSTOP

RSTOP	Oscillation/stop of internal oscillator
0	Do not stop internal oscillator oscillation
1	Stop internal oscillator

- Cautions**
1. The internal oscillator cannot be stopped while the CPU is operating on the internal oscillator clock (CCLS.CCLS bit = 1). Do not set the RSTOP bit to 1.
 2. The internal oscillator oscillates if a watchdog timer overflow occurs while the oscillator signal is stabilizing after STOP mode has been canceled by the occurrence of an interrupt (that is, if the CCLS.CCLS bit is set to 1), even if the internal oscillator is stopped (the RSTOP bit is 1). At this time, RSTOP remains set to 1.
 3. The settings of the RCM register are valid by setting the option byte. For details, see CHAPTER 30 OPTION BYTE.

(3) CPU operation clock status register (CCLS)

The CCLS register indicates the status of the CPU operation clock.

This register is read-only, in 8-bit or 1-bit units.

Reset sets this register to 00H.

After reset: 00H^{Note} R Address: FFFFF82EH

	7	6	5	4	3	2	1	0
CCLS	0	0	0	0	0	0	0	CCLS

CCLS	CCLS	CPU operation clock status
0	0	Operating on main clock (f _x) or subclock (f _{xT}).
1	1	Operating on internal oscillator clock (f _R).

Note If a WDT overflow occurs during oscillation stabilization after a reset is released or STOP mode is released, the CCLS bit is set to 1 and the reset value is 01H.

(4) Clock-through select register (CKTHSEL)

The CKTHSEL register is used to select the clock-through frequency or the clock-through frequency divided by 2 when in the clock-through mode.

This register can be read or written in 8-bit or 1bit units.

Reset sets this register to 00H.

After reset: 00H		R/W	Address: FFFF380H					
CKTHSEL	7	6	5	4	3	2	1	<0>
	0	0	0	0	0	0	0	CKTHSEL0
CKTHSEL0	Clock-through select register							
0	Clock-through frequency							
1	Clock-through frequency divided by 2							

6.4 Operations

6.4.1 Operation of each clock

The following table shows the operation status of each clock.

Table 6-1. Operation Status of Each Clock

Register Setting and Operation Status Target Clock	PCC Register									
	CLK Bit = 0, MCK Bit = 0					CLS Bit = 1, MCK Bit = 0		CLS Bit = 1, MCK Bit = 1		_ ^{Note3}
	During Reset	During Oscillation Stabilization Time Count	HALT Mode	IDLE1 Mode, IDLE2 Mode	STOP Mode	Subclock Mode	Sub-IDLE Mode	Subclock Mode	Sub-IDLE Mode	RTC backup Mode
Main clock oscillator (fx)	x	√	√	√	x	√	√	x	x	_ ^{Note4}
Subclock oscillator (fxr)	√	√	√	√	√	√	√	√	√	√
CPU clock (fcpu)	x	x	x	x	x	√	x	√	x	_ ^{Note4}
Internal system clock (fclk)	x	x	√	x	x	√	x	√	x	_ ^{Note4}
Main clock (in PLL mode, fxx)	x	√ ^{Note1}	√	√	x	√	√	x ^{Note2}	x ^{Note2}	_ ^{Note4}
Peripheral clock (fxx to fxx/1,024)	x	x	√	x	x	√	x	x	x	_ ^{Note4}
WT clock (main)	x	√	√	√	x	√	√	x	x	_ ^{Note4}
WT clock (sub)	√	√	√	√	√	√	√	√	√	_ ^{Note4}
WDT2 clock (internal oscillation)	x	√	√	√	√	√	√	√	√	_ ^{Note4}
WDT2 clock (main)	x	x	√	x	x	√	x	x	x	_ ^{Note4}
WDT2 clock (sub)	√	√	√	√	√	√	√	√	√	_ ^{Note4}
RTC clock (main)	x	x	√	√	x	√	√	x	x	_ ^{Note4}
RTC clock (sub)	√	√	√	√	√	√	√	√	√	√

Notes1. Lockup time

2. Be sure to set the PLLCTL.PLLON to 0.
3. Because V_{DD} is less than the guaranteed operating voltage, the register value is undefined.
4. Because V_{DD} is less than the guaranteed operating voltage, the operating status is undefined.

Remark

- √: Operating
- x: Stopped
- : Undefined

6.4.2 Clock output function

The clock output function is used to output the internal system clock (f_{CLK}) from the CLKOUT pin.

The internal system clock (f_{CLK}) is selected by using the PCC.CK3 to PCC.CK0 bits.

The CLKOUT pin functions alternately as the PCM1 pin and functions as a clock output pin if so specified by the control register of port CM.

The status of the CLKOUT pin is the same as the internal system clock in Table 6-1 and the pin can output the clock when it is in the operable status. It outputs a low level in the stopped status. However, the CLKOUT pin is in the port mode (PCM1 pin: input mode) after reset and until it is set in the output mode. Therefore, the status of the pin is Hi-Z.

6.4.3 External clock signal input

An external clock signal can be directly input to the oscillator. Input the clock to the X1 pin and leave the X2 pin open. Set the PCC.MFRC bit to 1 (on-chip feedback resistor not used). Note, however, that time is required to stabilize the oscillator signal even when inputting an external clock signal.

6.5 PLL Function

6.5.1 Overview

In the V850ES/JG3-L, an operating clock that is the oscillation frequency multiplied by 4 or 8 by the PLL function or an unmultiplied clock (clock-through mode) can be selected as the operating clock of the CPU and on-chip peripheral functions.

(a) When USB is not used

PLL mode:	Input clock = 2.5 to 5 MHz ($f_{xx} = 10$ to 20 MHz)
Clock-through mode:	Input clock = 2.5 to 10 MHz ($f_{xx} = 1.25$ to 10 MHz)

(b) When USB is used (UCLK is not used)

PLL mode:	$f_x = 6$ MHz ($f_{xx} = 16$ MHz)
Clock-through mode:	Setting prohibited

(c) When USB is used (UCLK is used)

PLL mode:	Input clock = 2.5 to 4 MHz ($f_{xx} = 10$ to 16 MHz)
	Input clock = 6 MHz ($f_{xx} = 16$ MHz)
Clock-through mode:	Input clock = 2.5 to 10 MHz ($f_{xx} = 1.25$ to 10 MHz)

6.5.2 Registers

(1) PLL control register (PLLCTL)

The PLLCTL register is an 8-bit register that controls the PLL function.

This register can be read or written in 8-bit or 1-bit units.

Reset sets this register to 01H.

After reset: 01H		R/W		Address: FFFF82CH				
PLLCTL	7	6	5	4	3	2	<1>	<0>
	0	0	0	0	0	0	SELPLL	PLLON
SELPLL	Selection of CPU operation clock mode							
0	Clock-through mode							
1	PLL mode							
PLLON	Control of PLL operation							
0	Disable PLL operation							
1	Enable PLL operation (After PLL operation starts, a lockup time is required for frequency stabilization.)							

- Cautions**
1. When the PLLON bit is cleared to 0, the SELPLL bit is automatically cleared to 0 (clock-through mode).
 2. The SELPLL bit can be set to 1 only when the PLL clock frequency is stabilized. If not (if the PLL is unlocked), "0" is written to the SELPLL bit whatever data is written to it.

(2) Clock control register (CKC)

The CKC register is a special register. Data can be written to this register only in a combination of specific sequences (see 3.4.7 Special registers).

The CKC register controls the internal system clock in the PLL mode.

This register can be read or written in 8-bit or 1-bit units.

Reset sets this register to 0AH.

After reset: 0AH R/W Address: FFFFF822H

	7	6	5	4	3	2	1	0
CKC	0	0	0	0	1	0	1	CKDIV0

CKDIV0	Internal system clock (f_{xx}) in PLL mode
0	$f_{xx} = 4 \times f_x$ ($f_x = 2.5$ to 5.0 MHz)
1	$f_{xx} = 8 \times f_x$ ($f_x = 6$ MHz) : When USB is used

- Cautions**
1. The PLL mode cannot be used when $f_x = 5.0$ to 10.0 MHz. however only when USB function controller is used, The PLL mode ($f_x = 6$ MHz) can be used.
 2. Be sure to set the clock-through mode (PLLCTL.SELPLL = 0) before changing the CKC register settings.
 3. When generating the USB clock (f_{usb}) from the main clock oscillation frequency (f_x), select 6 MHz for f_x , set the CKC register to 0BH and the OCK2 register to 11H, and then set the PLL mode (PLLCTL.SELPLL = 1).

(3) Clock select register (OCKS2)

The OCKS2 register selects the PLL 1/3 division output clock.

This register can be read or written in 8-bit or 1-bit units.

Reset sets this register to 00H.

After reset: 00H R/W Address: FFFFF348H

	7	6	5	4	3	2	1	0
OCKS2	0	0	0	OCKSEN2	0	0	0	OCKS20

OCKSEN2	Setting operation enable of 1/3 division
0	Stops 1/3 division clock operation
1	Enables 1/3 division clock operation

OCKS20	Specifies divider of PLL output clock
0	1/1
1	1/3

Caution When generating the USB clock (f_{usb}) from the main clock oscillation frequency (f_x), select 6 MHz for f_x , set the CKC register to 0BH and the OCK2 register to 11H, and then set the PLL mode (PLLCTL.SELPLL = 1).

(4) Lock register (LOCKR)

The PLL locks the phase at a given frequency after the power is turned on or immediately after the STOP mode is canceled. The time required for the frequency to stabilize is the lockup time (frequency stabilization time). This state until the frequency stabilizes is called the lockup status, and the state in which the frequency is stabilized is called the locked status.

The LOCKR register includes a LOCK bit that reflects the PLL frequency stabilization status.

This register is read-only, in 8-bit or 1-bit units.

Reset sets this register to 00H.

After reset: 00H R Address: FFFFF824H

	7	6	5	4	3	2	1	<0>
LOCKR	0	0	0	0	0	0	0	LOCK

LOCK	PLL lock status check
0	Locked status
1	Unlocked status

Caution The LOCK register does not reflect the lock status of the PLL in real time. The set/clear conditions are as follows.

[Set conditions]

- Upon system reset^{Note}
- In IDLE2 or STOP mode
- Upon setting of PLL stop (clearing of PLLCTL.PLLON bit to 0)
- Upon stopping main clock and using CPU on subclock (setting of PCC.CK3 bit to 1 and setting of PCC.MCK bit to 1)

Note This register is set to 01H by reset and cleared to 00H after the reset has been released and the oscillation stabilization time has elapsed.

[Clear conditions]

- Upon overflow of oscillation stabilization time following reset release (OSTS register default time (see **CHAPTER 30 OPTION BYTE**))
- Upon oscillation stabilization timer overflow (time set by OSTs register) following STOP mode release, when the STOP mode was set in the PLL operating status
- Upon PLL lockup time timer overflow (time set by PLLS register) when the PLLCTL.PLLON bit is changed from 0 to 1
- After the setup time inserted upon release of the IDLE2 mode (time set by the OSTs register) has elapsed when the IDLE2 mode is set during PLL operation.

(5) PLL lockup time specification register (PLLS)

The PLLS register is an 8-bit register used to select the PLL lockup time when the PLLCTL.PLLON bit is changed from 0 to 1.

This register can be read or written in 8-bit units.

Reset sets this register to 03H.

After reset: 03H R/W Address: FFFFF6C1H

	7	6	5	4	3	2	1	0
PLLS	0	0	0	0	0	0	PLLS1	PLLS0

PLLS1	PLLS0	Selection of PLL lockup time
0	0	$2^{10}/f_x$
0	1	$2^{11}/f_x$
1	0	$2^{12}/f_x$
1	1	$2^{13}/f_x$ (default value)

- Cautions**
1. Set so that the lockup time is at least 400 μ s.
 2. Do not change the PLLS register setting during the lockup period.

6.5.3 Usage

(1) When PLL is used

- After the reset signal has been released, the PLL operates (PLLCTL.PLLON bit = 1), but because the default mode is the clock-through mode (PLLCTL.SELPLL bit = 0), select the PLL mode (SELPLL bit = 1).
- To enable PLL operation, first set the PLLON bit to 1, and then set the SELPLL bit to 1 after the LOCKR.LOCK bit becomes 0. To stop the PLL, first select the clock-through mode (SELPLL bit = 0), wait for 8 clocks or more, and then stop the PLL (PLLON bit = 0).
- The PLL stops during transition to the IDLE2 or STOP mode regardless of the setting and is restored from the IDLE2 or STOP mode to the status before transition. The time required for restoration is as follows.

(a) When transitioning to the IDLE2 or STOP mode from the clock through mode

- STOP mode: Set the OSTS register so that the oscillation stabilization time is at least 400 μ S.
- IDLE2 mode: Set the OSTS register so that the setup time is at least 200 μ S.

(b) When transitioning to the IDLE 2 or STOP mode while remaining in the PLL operation mode

- STOP mode: Set the OSTS register so that the oscillation stabilization time is at least 400 μ S.
- IDLE2 mode: Set the OSTS register so that the setup time is at least 400 μ S.

When transitioning to the IDLE1 mode, the PLL does not stop. Stop the PLL if necessary.

(2) When PLL is not used

- The clock-through mode (SELPLL bit = 0) is selected after the reset signal has been released, but the PLL is operating (PLLON bit = 1) and must therefore be stopped (PLLON bit = 0).

The time required for restoration from the IDLE2 and STOP modes is as follows.

- STOP mode: Set the OSTS register so that the oscillation stabilization time is at least 400 μ S.
- IDLE2 mode: Set the OSTS register so that the setup time is at least 200 μ S.

6.6 How to Connect a Resonator

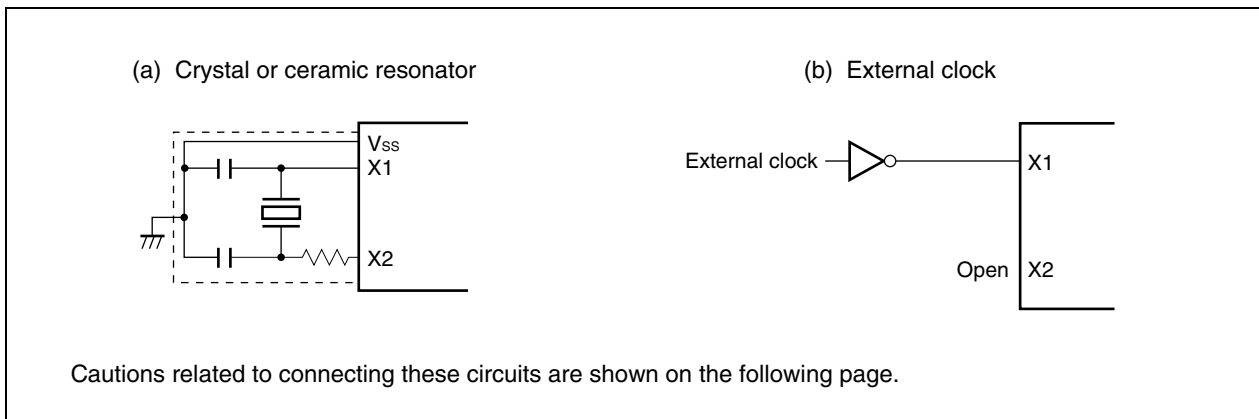
6.6.1 Main clock oscillator

The signal input to the main clock oscillator is oscillated by a ceramic or crystal resonator connected to the X1 and X2 pins. The frequency of the resonator is 2.5 to 10 MHz.

An external clock signal can also be input to the main clock oscillator.

Figure 6-2 shows an example of the circuit connected to the main clock oscillator.

Figure 6-2. Example of Circuit Connected to Main Clock Oscillator

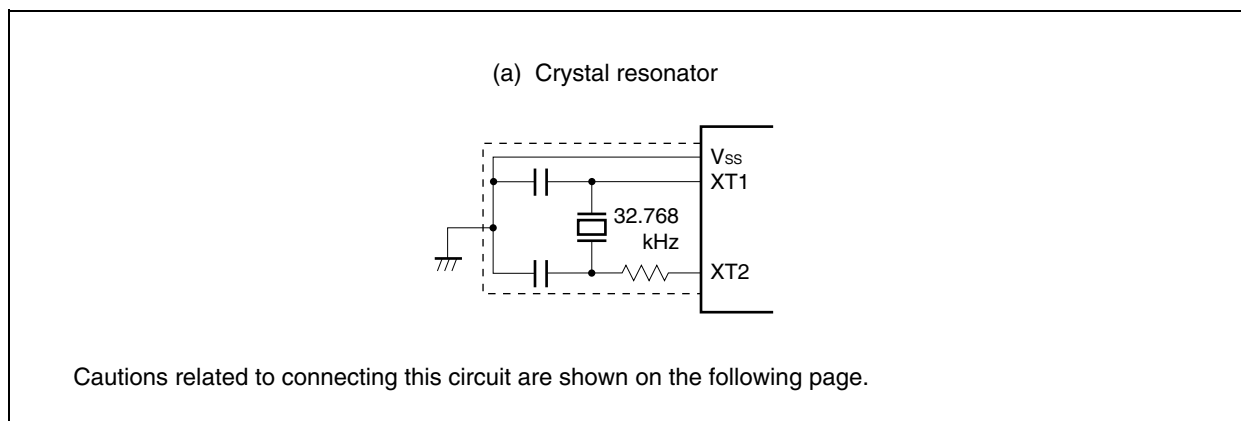


6.6.2 Subclock oscillator

The signal input to the subclock oscillator is oscillated by a crystal resonator connected to the XT1 and XT2 pins. The frequency of the resonator is 32.768 kHz (standard).

Figure 6-3 shows an example of the circuit connected to the subclock oscillator.

Figure 6-3. Example of Circuit Connected to Subclock Oscillator



Caution 1. When using the main clock or subclock oscillator, wire as follows in the area enclosed by the broken lines in Figures 6-2 and 6-3 to avoid an adverse effect from wiring capacitance.

- Keep the wiring length as short as possible.
- Do not cross the wiring with the other signal lines.
- Do not route the wiring near a signal line through which a high fluctuating current flows.
- Always make the ground point of the oscillator capacitor the same potential as V_{SS} .
- Do not ground the capacitor to a ground pattern through which a high current flows.
- Do not fetch signals from the oscillator.

The subclock oscillator is designed as a low-amplitude circuit for reducing power consumption. Particular care is therefore required with the wiring method when the subclock is used.

Figure 6-4 shows examples of incorrect resonator connections.

Figure 6-4. Examples of Incorrect Resonator Connections (1/2)

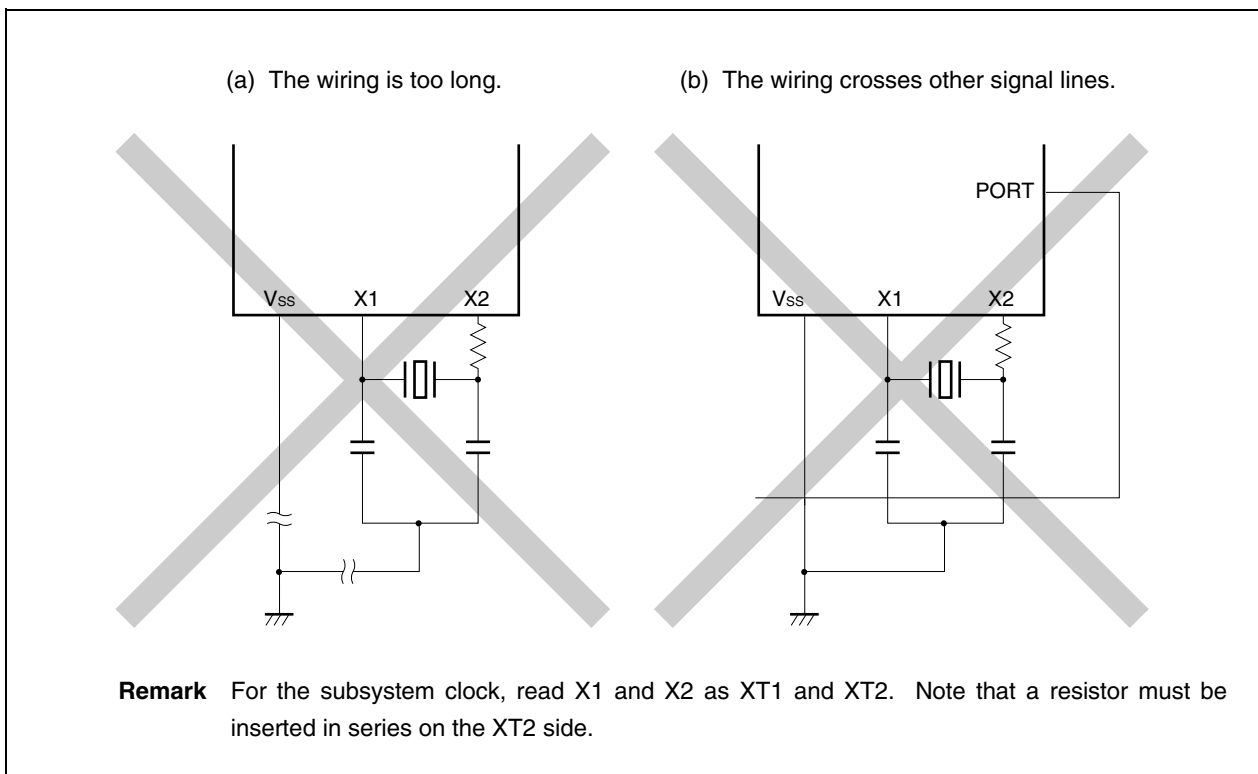
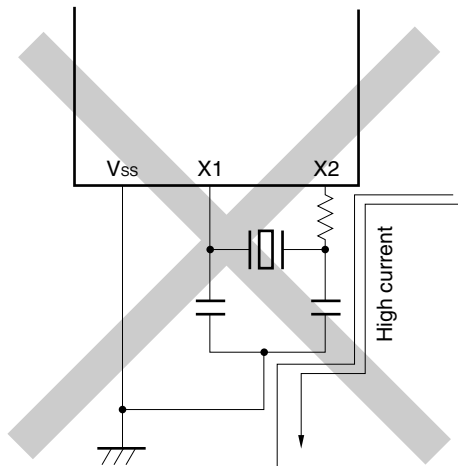
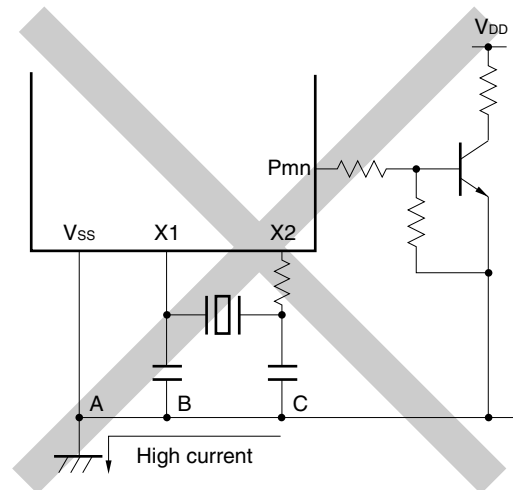


Figure 6-4. Examples of Incorrect Resonator Connections (2/2)

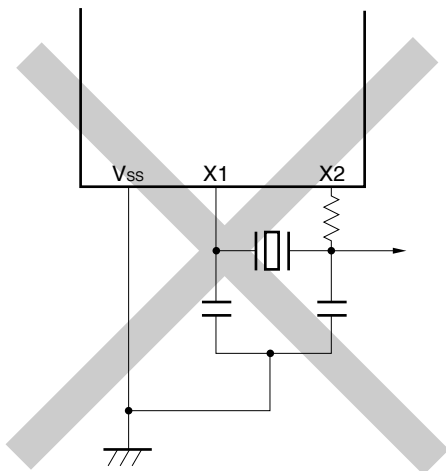
- (c) The wiring is routed near a signal line through which a high fluctuating current flows.



- (d) A current with a higher potential than that of the ground line of the oscillator block is flowing. (The potential differs at points A, B, and C.)



- (e) Signals are being fetched.



Remark For the subsystem clock, read X1 and X2 as XT1 and XT2. Note that a resistor must be inserted in series on the XT2 side.

Caution If X2 and XT1 are wired in parallel, crosstalk noise from XT1 may have a synergistic effect on X2, causing a malfunction.

CHAPTER 7 16-BIT TIMER/EVENT COUNTER P (TMP)

Timer P (TMP) is a 16-bit timer/event counter.

The V850ES/JG3-L has six timer/event counter channels, TMP0 to TMP5 (TMPn).

7.1 Overview

TMPn has the following features.

- (1) Interval timer
TMPn generates an interrupt at a preset interval and can output a square wave.
- (2) External event counter
TMPn counts the number of externally input signal pulses.
- (3) External trigger pulse output
TMPn starts counting and outputs a pulse when the specified external signal is input.
- (4) One-shot pulse output
TMPn outputs a one-shot pulse with an output width that can be freely specified.
- (5) PWM output
TMPn outputs a pulse with a constant cycle whose active width can be changed.
The pulse duty can also be changed freely even while the timer is operating.
- (6) Free-running timer
TMPn increments from 0000H to FFFFH and then resets.
- (7) Pulse width measurement
TMPn can be used to measure the pulses of a signal input externally.

Remark n = 0 to 5

7.2 Configuration

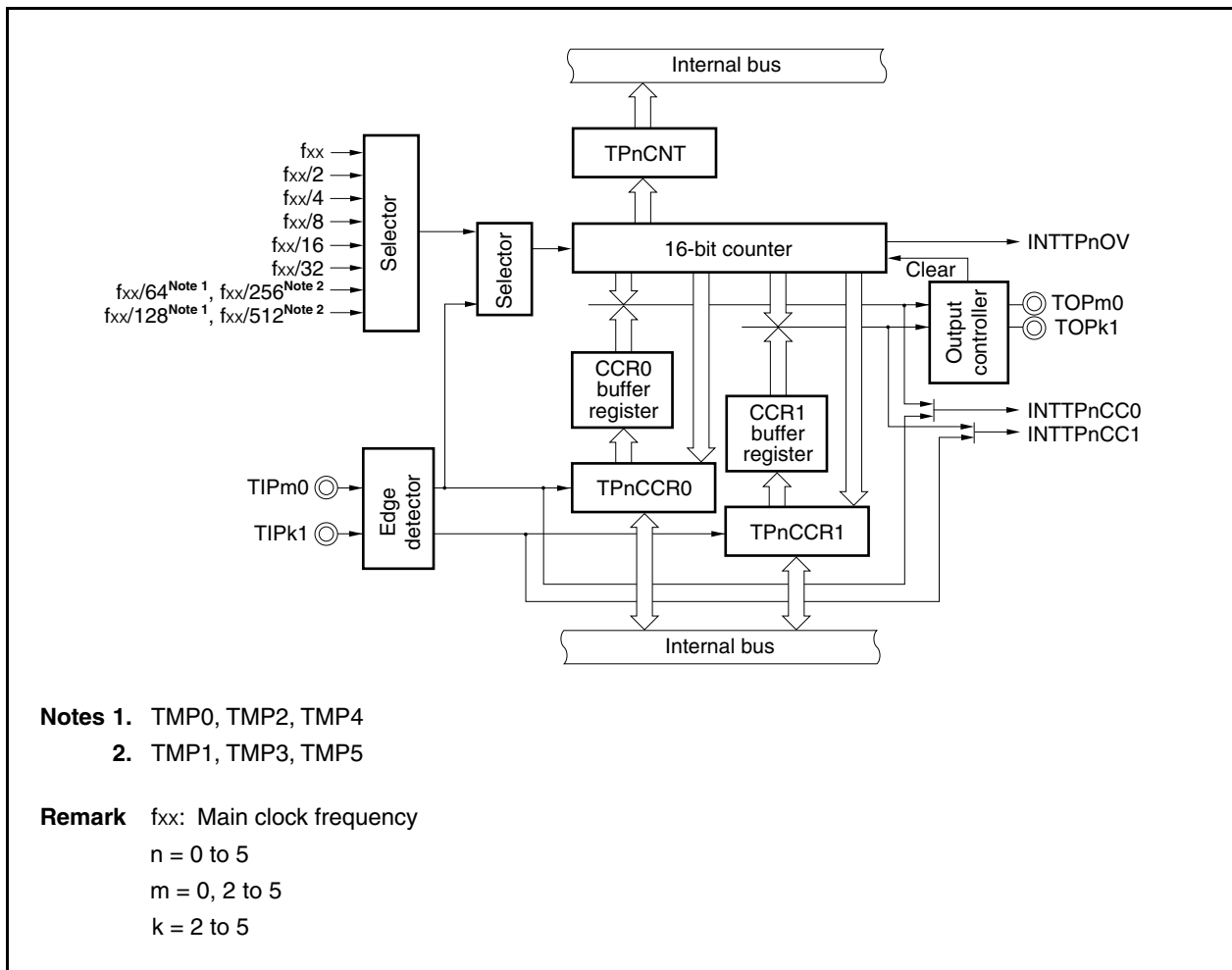
TMPn includes the following hardware.

Table 7-1. Configuration of TMPn

Item	Configuration
Registers	16-bit counter TMPn counter read buffer register (TPnCNT) TMPn capture/compare registers 0, 1 (TPnCCR0, TPnCCR1) CCR0, CCR1 buffer registers TMPn control registers 0, 1 (TPnCTL0, TPnCTL1) TMPn I/O control registers 0 to 2 (TPnIOC0 to TPnIOC2) TMPn option register 0 (TPnOPT0)
Timer inputs	2 (TIPm0, TIPk1 pins)
Timer outputs	2 (TOPn0, TOPn1 pins)

- Remarks1.** n = 0 to 5
 2. m = 0, 2 to 5
 3. k = 2 to 5

Figure 7-1. Block Diagram of TMPn



(1) 16-bit counter

This is a 16-bit counter that counts internal clocks and external events.

This counter can be read by using the TPnCNT register.

When the TPnCTL0.TPnCE bit is 0 and the counter is stopped, the counter value is FFFFH. If the TPnCNT register is read at this time, 0000H is read.

Reset sets the TPnCE bit to 0, stopping the counter, and setting its value to FFFFH.

(2) TMPn counter read buffer register (TPnCNT)

This is a read buffer register from which the value of the 16-bit counter can be read.

(3) TMPn capture/compare registers 0 and 1 (TPnCCR0 and TPnCCR1)

These registers can be used as either capture registers or compare registers, in accordance with the specified mode.

(4) CCR0 buffer register

This is a 16-bit compare register that compares the value of the 16-bit counter.

When the TPnCCR0 register is used as a compare register, the value written to the TPnCCR0 register is transferred to the CCR0 buffer register. If the value of the 16-bit counter matches the value of the CCR0 buffer register, a compare match interrupt request signal (INTTPnCC0) is generated.

The CCR0 buffer register cannot be read or written directly.

The CCR0 buffer register is cleared to 0000H after reset because the TPnCCR0 register is cleared to 0000H.

(5) CCR1 buffer register

This is a 16-bit compare register that compares the value of the 16-bit counter.

When the TPnCCR1 register is used as a compare register, the value written to the TPnCCR1 register is transferred to the CCR1 buffer register. If the count value of the 16-bit counter matches the value of the CCR1 buffer register, a compare match interrupt request signal (INTTPnCC1) is generated.

The CCR1 buffer register cannot be read or written directly.

The CCR1 buffer register is cleared to 0000H after reset because the TPnCCR1 register is cleared to 0000H.

(6) TMPn control registers 0 and 1 (TPnCTL0 and TPnCTL1)

These are 8-bit registers that control the operations of TMPn.

(7) TMPn I/O control registers 0 to 2 (TPnIOC0 to TPnIOC2)

These are 8-bit registers that control the input and output of TMPn.

(8) TMPn option register 0 (TPnOPT0)

This is an 8-bit register that controls the specification of settings such as capture and compare.

(9) Edge detector

This circuit detects the valid edges input to the TIPn0 and TIPn1 pins. No edge, rising edge, falling edge, or both the rising and falling edges can be selected as the valid edge by using the TPnIOC1 and TPnIOC2 registers.

(10) Output controller

This circuit controls the output of the TOPn0 and TOPn1 pins. The output controller is controlled by the TPnIOC0 register.

(11) Selector

The selector selects the count clock for the 16-bit counter. One of eight internal clocks or the input of an external event can be selected as the count clock.

Remark n = 0 to 5

7.2.1 Pins used by TMPn

The input and output pins used by TMPn are shown in Table 7-2 below. When using these pins for TMPn, first set them to port mode. For details, see **Table 4-15 Settings When Pins Are Used for Alternate Functions**.

Table 7-2. Pins Used by TMPn

Timer Channel	Pin No.		Port	TMP Input	TMP Output	Alternate Function
	GC	F1				
TMP0	27	L4	P32	TIP00 ^{Note}	TOP00	ASCKA0/SCKB4
TMP1	–	–	–	–	–	–
TMP2	50	J11	P97	TIP20 ^{Note}	TOP20	SIB1/RXDC0
	49	K11	P96	TIP21	TOP21	TXDC0
TMP3	48	K10	P95	TIP30 ^{Note}	TOP30	RXDA5
	47	L10	P94	TIP31	TOP31	TXDA5
TMP4	46	J9	P93	TIP40 ^{Note}	TOP40	RXDA4
	45	K9	P92	TIP41	TOP41	TXDA4
TMP5	58	G8	P915	TIP50 ^{Note}	TOP50	INTP6
	57	G9	P914	TIP51	TOP51	INTP5

Note The TIPn0 pin functions as a capture trigger input, as an external event input, and as an external trigger input (n = 0, 2 to 5).

Caution Other than alternate function pins above, INTUA5T interrupt of UART5 and INTP3CC1 interrupt of TMP3, and INTUA5R interrupt of UART5 and INTP3OV interrupt of TMP3 are alternate interrupt signals and therefore cannot be used simultaneously.

Remark GC: 100-pin plastic LQFP (fine-pitch) (14 × 14)
F1: 121-pin plastic FBGA (8 × 8)

7.2.2 Interrupts

The following three types of interrupt signals are used by TMPn:

(1) INTTPnCC0

This signal is generated when the value of the 16-bit counter matches the value of the CCR0 buffer register, or when a capture signal is input from the TIPn0 pin.

(2) INTTPnCC1

This signal is generated when the value of the 16-bit counter matches the value of the CCR1 buffer register, or when a capture signal is input from the TIPn1 pin.

(3) INTTPnOV

This signal is generated when the 16-bit counter overflows after incrementing up to FFFFH.

7.3 Registers

The registers that control TMPn are as follows.

- TMPn control register 0 (TPnCTL0)
- TMPn control register 1 (TPnCTL1)
- TMPn I/O control register 0 (TPnIOC0)
- TMPn I/O control register 1 (TPnIOC1)
- TMPn I/O control register 2 (TPnIOC2)
- TMPn option register 0 (TPnOPT0)
- TMPn capture/compare register 0 (TPnCCR0)
- TMPn capture/compare register 1 (TPnCCR1)
- TMPn counter read buffer register (TPnCNT)

Remarks 1. When using the functions of the TIPn0, TIPn1, TOPn0, and TOPn1 pins, see **Table 4-15 Settings When Pins Are Used for Alternate Functions.**

2. n = 0, 2 to 5

(2) TMPn control register 1 (TPnCTL1)

The TPnCTL1 register is an 8-bit register that controls the operation of TMPn.

This register can be read or written in 8-bit or 1-bit units.

Reset sets this register to 00H.

After reset: 00H R/W Address: TP0CTL1 FFFFF591H, TP2CTL1 FFFFF5B1H,
 TP3CTL1 FFFFF5C1H, TP4CTL1 FFFFF5D1H,
 TP5CTL1 FFFFF5E1H

	7	<6>	<5>	4	3	2	1	0
TPnCTL1 (n = 0, 2 to 5)	0	TPnEST	TPnEEE	0	0	TPnMD2	TPnMD1	TPnMD0

TPnEST	Software trigger control
0	—
1	Generate a valid signal for external trigger input. • In one-shot pulse output mode: A one-shot pulse is output with writing 1 to the TPnEST bit as the trigger. • In external trigger pulse output mode: A PWM waveform is output with writing 1 to the TPnEST bit as the trigger.

TPnEEE	Count clock selection
0	Disable operation with external event count input. (Perform counting with the internal count clock selected by the TPnCTL0.TPnCK0 to TPnCK2 bits.)
1	Enable operation with external event count input. (Perform counting at the valid edge of the external event count input signal.)

TPnMD2	TPnMD1	TPnMD0	Timer mode selection
0	0	0	Interval timer mode
0	0	1	External event count mode
0	1	0	External trigger pulse output mode
0	1	1	One-shot pulse output mode
1	0	0	PWM output mode
1	0	1	Free-running timer mode
1	1	0	Pulse width measurement mode
1	1	1	Setting prohibited

- Cautions**
1. The TPnEST bit is valid only in the external trigger pulse output mode or the one-shot pulse output mode. In any other mode, writing 1 to this bit is ignored.
 2. External event count input is selected in the external event count mode regardless of the value of the TPnEEE bit.
 3. Set the TPnEEE and TPnMD2 to TPnMD0 bits when the timer operation is stopped (TPnCTL0.TPnCE bit = 0). (The same value can be written when the TPnCE bit = 1.) The operation is not guaranteed when rewriting is performed with the TPnCE bit = 1. If rewriting was mistakenly performed, clear the TPnCE bit to 0 and then set the bits again.
 4. Be sure to clear bits 3, 4, and 7 to “0”.

(3) TMPn I/O control register 0 (TPnIOC0)

The TPnIOC0 register is an 8-bit register that controls the operation of timer output (TOPn0, TOPn1 pins).

This register can be read or written in 8-bit or 1-bit units.

Reset sets this register to 00H.

After reset: 00H R/W Address: TP0IOC0 FFFFF592H, TP2IOC0 FFFFF5B2H,
 TP3IOC0 FFFFF5C2H, TP4IOC0 FFFFF5D2H,
 TP5IOC0 FFFFF5E2H

	7	6	5	4	3	<2>	1	<0>
TPnIOC0 (n = 0, 2 to 5)	0	0	0	0	TPnOL1	TPnOE1	TPnOL0	TPnOE0

TPnOL1	TOPn1 pin output level setting ^{Note}
0	TOPn1 pin starts output at high level
1	TOPn1 pin starts output at low level

TPnOE1	TOPn1 pin output setting
0	Timer output disabled • When TPnOL1 bit = 0: Low level is output from the TOPn1 pin • When TPnOL1 bit = 1: High level is output from the TOPn1 pin
1	Timer output enabled (a pulse is output from the TOPn1 pin).

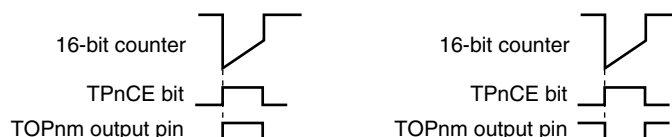
TPnOL0	TOPn0 pin output level setting ^{Note}
0	TOPn0 pin starts output at high level
1	TOPn0 pin starts output at low level

TPnOE0	TOPn0 pin output setting
0	Timer output disabled • When TPnOL0 bit = 0: Low level is output from the TOPn0 pin • When TPnOL0 bit = 1: High level is output from the TOPn0 pin
1	Timer output enabled (a pulse is output from the TOPn0 pin).

Note The output level of the timer output pin (TOPnm) specified by the TPnOLm bit is shown below (m = 0, 1).

• When TPnOLm bit = 0

• When TPnOLm bit = 1



Cautions 1. Rewrite the TPnOL1, TPnOE1, TPnOL0, and TPnOE0 bits when the TPnCTL0.TPnCE bit = 0. (The same value can be written when the TPnCE bit = 1.) If rewriting was mistakenly performed, clear the TPnCE bit to 0 and then set the bits again.

2. Even if the TPnOLm bit is manipulated when the TPnCE and TPnOEm bits are 0, the TOPnm pin output level varies (m = 0, 1).

(4) TMPn I/O control register 1 (TPnIOC1)

The TPnIOC1 register is an 8-bit register that controls the valid edge of the capture trigger input signals (TIPn0, TIPn1 pins).

This register can be read or written in 8-bit or 1-bit units.

Reset sets this register to 00H.

After reset: 00H R/W Address: TP0IOC1 FFFFF593H, TP2IOC1 FFFFF5B3H,
TP3IOC1 FFFFF5C3H, TP4IOC1 FFFFF5D3H,
TP5IOC1 FFFFF5E3H

	7	6	5	4	3	2	1	0
TPnIOC1 (n = 0, 2 to 5)	0	0	0	0	TPnIS3	TPnIS2	TPnIS1	TPnIS0

TPnIS3	TPnIS2	Capture trigger input signal (TIPn1 pin) valid edge setting
0	0	No edge detection (capture operation invalid)
0	1	Detection of rising edge
1	0	Detection of falling edge
1	1	Detection of both edges

TPnIS1	TPnIS0	Capture trigger input signal (TIPn0 pin) valid edge setting
0	0	No edge detection (capture operation invalid)
0	1	Detection of rising edge
1	0	Detection of falling edge
1	1	Detection of both edges

- Cautions**
1. Rewrite the TPnIS3 to TPnIS0 bits when the TPnCTL0.TPnCE bit = 0. (The same value can be written when the TPnCE bit = 1.) If rewriting was mistakenly performed, clear the TPnCE bit to 0 and then set the bits again.
 2. The TPnIS3 to TPnIS0 bits are valid only in the free-running timer mode and the pulse width measurement mode. In all other modes, a capture operation is not possible.

(5) TMPn I/O control register 2 (TPnIOC2)

The TPnIOC2 register is an 8-bit register that controls the valid edge of the external event count input signal (TIPn0 pin) and external trigger input signal (TIPn0 pin).

This register can be read or written in 8-bit or 1-bit units.

Reset sets this register to 00H.

After reset: 00H R/W Address: TP0IOC2 FFFFF594H, TP2IOC2 FFFFF5B4H,
TP3IOC2 FFFFF5C4H, TP4IOC2 FFFFF5D4H,
TP5IOC2 FFFFF5E4H

	7	6	5	4	3	2	1	0
TPnIOC2 (n = 0, 2 to 5)	0	0	0	0	TPnEES1	TPnEES0	TPnETS1	TPnETS0

TPnEES1	TPnEES0	External event count input signal (TIPn0 pin) valid edge setting
0	0	No edge detection (external event count invalid)
0	1	Detection of rising edge
1	0	Detection of falling edge
1	1	Detection of both edges

TPnETS1	TPnETS0	External trigger input signal (TIPn0 pin) valid edge setting
0	0	No edge detection (external trigger invalid)
0	1	Detection of rising edge
1	0	Detection of falling edge
1	1	Detection of both edges

- Cautions**
1. Rewrite the TPnEES1, TPnEES0, TPnETS1, and TPnETS0 bits when the TPnCTL0.TPnCE bit = 0. (The same value can be written when the TPnCE bit = 1.) If rewriting was mistakenly performed, clear the TPnCE bit to 0 and then set the bits again.
 2. The TPnEES1 and TPnEES0 bits are valid only when the TPnCTL1.TPnEEE bit = 1 or when the external event count mode (TPnCTL1.TPnMD2 to TPnCTL1.TPnMD0 bits = 001) has been set.
 3. The TPnETS1 and TPnETS0 bits are valid only when the external trigger pulse output mode (TPnCTL1.TPnMD2 to TPnCTL1.TPnMD0 bits = 010) or the one-shot pulse output mode (TPnCTL1.TPnMD2 to TPnCTL1.TPnMD0 = 011) is set.

(6) **TMPn option register 0 (TPnOPT0)**

The TPnOPT0 register is an 8-bit register used to set the capture/compare operation and indicate the detection of an overflow.

This register can be read or written in 8-bit or 1-bit units.

Reset sets this register to 00H.

After reset: 00H R/W Address: TP0OPT0 FFFFF595H, TP2OPT0 FFFFF5B5H,
TP3OPT0 FFFFF5C5H, TP4OPT0 FFFFF5D5H,
TP5OPT0 FFFFF5E5H

	7	6	5	4	3	2	1	<0>
TPnOPT0 (n = 0, 2 to 5)	0	0	TPnCCS1	TPnCCS0	0	0	0	TPnOVF

TPnCCS1	TPnCCR1 register capture/compare selection
0	Compare register selected
1	Capture register selected
The TPnCCS1 bit setting is valid only in the free-running timer mode.	

TPnCCS0	TPnCCR0 register capture/compare selection
0	Compare register selected
1	Capture register selected
The TPnCCS0 bit setting is valid only in the free-running timer mode.	

TPnOVF	TMPn overflow detection flag
0	TPnOVF bit 0 written or TPnCTL0.TPnCE bit = 0
1	Overflow occurred
<ul style="list-style-type: none"> The TPnOVF bit is set when the 16-bit counter count value overflows from FFFFH to 0000H in the free-running timer mode or the pulse width measurement mode. An interrupt request signal (INTTPnOV) is generated at the same time that the TPnOVF bit is set to 1. The INTTPnOV signal is not generated in modes other than the free-running timer mode and the pulse width measurement mode. The TPnOVF bit is not cleared even when the TPnOVF bit or the TPnOPT0 register are read when the TPnOVF bit = 1. The TPnOVF bit can be both read and written, but the TPnOVF bit cannot be set to 1 by software. Writing 1 has no influence on the operation of TMPn. 	

- Cautions**
1. Rewrite the TPnCCS1 and TPnCCS0 bits when the TPnCE bit = 0. (The same value can be written when the TPnCE bit = 1.) If rewriting was mistakenly performed, clear the TPnCE bit to 0 and then set the bits again.
 2. Be sure to clear bits 1 to 3, 6, and 7 to "0".

(7) TMPn capture/compare register 0 (TPnCCR0)

The TPnCCR0 register can be used as a capture register or a compare register depending on the mode.

This register can be selected as a capture register or a compare register only in the free-running timer mode, according to the setting of the TPnOPT0.TPnCCS0 bit. In the pulse width measurement mode, the TPnCCR0 register can be used only as a capture register. In any other mode, this register can be used only as a compare register.

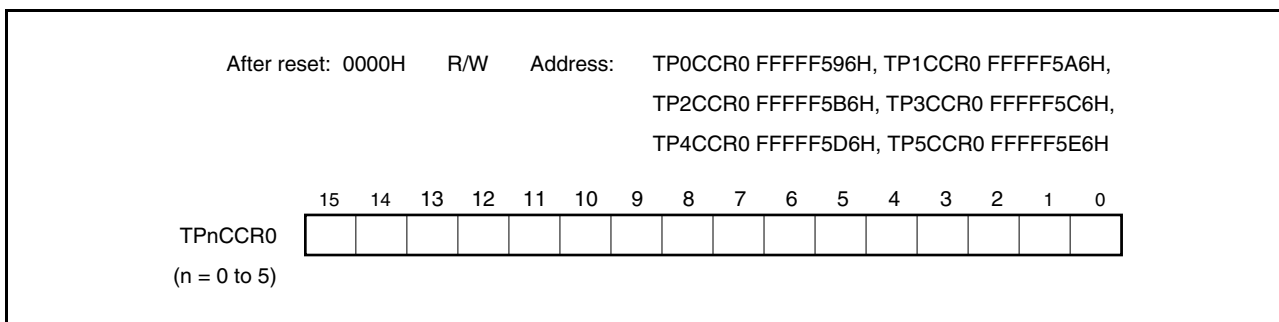
The TPnCCR0 register can be read or written during operation.

This register can be read or written in 16-bit units.

Reset sets this register to 0000H.

Caution Accessing the TPnCCR0 register is prohibited in the following statuses. Moreover, if the system is in the wait status, the only way to cancel the wait status is to execute a reset. For details, see 3.4.9 (1) Accessing special on-chip peripheral I/O registers.

- When the CPU operates on the subclock and main clock oscillation is stopped
- When the CPU operates on the internal oscillator clock



(a) Function as compare register

The TPnCCR0 register can be rewritten even when the TPnCTL0.TPnCE bit = 1.

The set value of the TPnCCR0 register is transferred to the CCR0 buffer register. When the value of the 16-bit counter matches the value of the CCR0 buffer register, a compare match interrupt request signal (INTTPnCC0) is generated. If TOPn0 pin output is enabled at this time, the output of the TOPn0 pin is inverted (For details, see the descriptions of each operating mode.).

When the TPnCCR0 register is used as a cycle register in the interval timer mode, external event count mode, external trigger pulse output mode, one-shot pulse output mode, or PWM output mode, the value of the 16-bit counter is cleared (0000H) if its count value matches the value of the CCR0 buffer register.

(b) Function as capture register

When the TPnCCR0 register is used as a capture register in the free-running timer mode, the count value of the 16-bit counter is stored in the TPnCCR0 register if the valid edge of the capture trigger input pin (TIPn0 pin) is detected. In the pulse-width measurement mode, the count value of the 16-bit counter is stored in the TPnCCR0 register and the 16-bit counter is cleared (0000H) if the valid edge of the capture trigger input pin (TIPn0) is detected.

Even if the capture operation and reading the TPnCCR0 register conflict, the correct value of the TPnCCR0 register can be read.

The following table shows the functions of the capture/compare register in each mode, and how to write data to the compare register.

Table 7-3. Function of Capture/Compare Register in Each Mode and How to Write Compare Register

Operation Mode	Capture/Compare Register	How to Write Compare Register
Interval timer	Compare register	Anytime write
External event counter	Compare register	Anytime write
External trigger pulse output	Compare register	Batch write
One-shot pulse output	Compare register	Anytime write
PWM output	Compare register	Batch write
Free-running timer	Capture/compare register	Anytime write
Pulse width measurement	Capture register	—

Remark For details about anytime write and batch write, see 7.4 (2) **Anytime write and batch write**.

(8) TMPn capture/compare register 1 (TPnCCR1)

The TPnCCR1 register can be used as a capture register or a compare register depending on the mode. This register can be selected as a capture register or a compare register only in the free-running timer mode, depending on the setting of the TPnOPT0.TPnCCS1 bit. In the pulse width measurement mode, the TPnCCR1 register can be used only as a capture register. In any other mode, this register can be used only as a compare register.

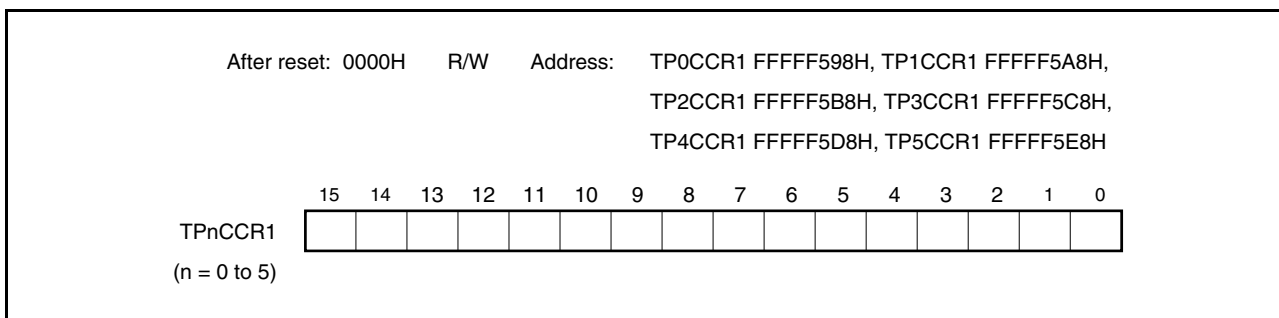
The TPnCCR1 register can be read or written during operation.

This register can be read or written in 16-bit units.

Reset sets this register to 0000H.

Caution Accessing the TPnCCR1 register is prohibited in the following statuses. Moreover, if the system is in the wait status, the only way to cancel the wait status is to execute a reset. For details, see 3.4.9 (1) Accessing special on-chip peripheral I/O registers.

- When the CPU operates on the subclock and main clock oscillation is stopped
- When the CPU operates on the internal oscillator clock



(a) Function as compare register

The TPnCCR1 register can be rewritten even when the TPnCTL0.TPnCE bit = 1.

The set value of the TPnCCR1 register is transferred to the CCR1 buffer register. When the value of the 16-bit counter matches the value of the CCR1 buffer register, a compare match interrupt request signal (INTTPnCC1) is generated. If TOPn1 pin output is enabled at this time, the output of the TOPn1 pin is inverted (For details, see the descriptions of each operating mode.).

(b) Function as capture register

When the TPnCCR1 register is used as a capture register in the free-running timer mode, the count value of the 16-bit counter is stored in the TPnCCR1 register if the valid edge of the capture trigger input pin (TIPn1 pin) is detected. In the pulse-width measurement mode, the count value of the 16-bit counter is stored in the TPnCCR1 register and the 16-bit counter is cleared (0000H) if the valid edge of the capture trigger input pin (TIPn1) is detected.

Even if the capture operation and reading the TPnCCR1 register conflict, the correct value of the TPnCCR1 register can be read.

The following table shows the functions of the capture/compare register in each mode, and how to write data to the compare register.

Table 7-4. Function of Capture/Compare Register in Each Mode and How to Write Compare Register

Operation Mode	Capture/Compare Register	How to Write Compare Register
Interval timer	Compare register	Anytime write
External event counter	Compare register	Anytime write
External trigger pulse output	Compare register	Batch write
One-shot pulse output	Compare register	Anytime write
PWM output	Compare register	Batch write
Free-running timer	Capture/compare register	Anytime write
Pulse width measurement	Capture register	–

Remark For details about anytime write and batch write, see 7.4 (2) **Anytime write and batch write**.

(9) TMPn counter read buffer register (TPnCNT)

The TPnCNT register is a read buffer register from which the count value of the 16-bit counter can be read.

If this register is read when the TPnCTL0.TPnCE bit = 1, the count value of the 16-bit timer can be read.

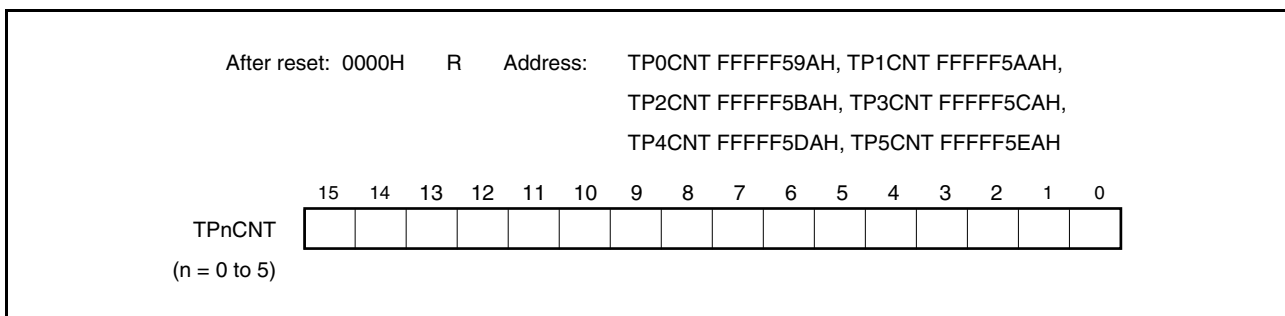
This register is read-only, in 16-bit units.

The value of the TPnCNT register is cleared to 0000H when the TPnCE bit = 0. If the TPnCNT register is read at this time, the value of the 16-bit counter (FFFFH) is not read, but 0000H is read.

Because the TPnCE bit is cleared to 0, the value of the TPnCNT register is cleared to 0000H after reset.

Caution Accessing the TPnCNT register is prohibited in the following statuses. Moreover, if the system is in the wait status, the only way to cancel the wait status is to execute a reset. For details, see 3.4.9 (1) Accessing special on-chip peripheral I/O registers.

- When the CPU operates on the subclock and main clock oscillation is stopped
- When the CPU operates on the internal oscillator clock



7.4 Operations

For the V850ES/JG3-L, the modes that can be enabled depend on each channel. The following table shows the modes that can be enabled for each channel.

Table 7-5. TMPn Operating Modes

Operating Mode	TMP0	TMP1	TMP2	TMP3	TMP4	TMP5
Interval timer mode	Conditionally available ^{Note 1}	Conditionally available ^{Note 2}	Available	Available	Available	Available
External event count mode	Conditionally available ^{Note 1}	Not available	Available	Available	Available	Available
External trigger pulse output mode	Not available	Not available	Available	Available	Available	Available
One-shot pulse output mode	Conditionally available ^{Note 1}	Not available	Available	Available	Available	Available
PWM output mode	Not available	Not available	Available	Available	Available	Available
Free-running timer mode	Conditionally available ^{Note 1}	Not available	Available	Available	Available	Available
Pulse width measurement mode	Conditionally available ^{Note 1}	Not available	Available	Available	Available	Available

Notes 1. Because TIP01 and TOP01 do not exist, modes enabled by using these pins are not available.

2. Because TIP10, TIP11, TOP10, and TOP11 do not exist, modes enabled by using these pins are not available.

TMPn can execute the following operations:

Table 7-6. TMPn Operating Modes

Operating Mode ^{Note 1}	TPnCTL1.TPnEST Bit (Software Trigger Bit)	TIPn0 Pin (External Trigger Input)	Capture/Compare Register Setting	Compare Register Write	Count Clock
Interval timer mode	Invalid	Invalid	Compare only	Anytime write	Internal/external
External event count mode ^{Note 2}	Invalid	Invalid	Compare only	Anytime write	External
External trigger pulse output mode ^{Note 3}	Valid	Valid	Compare only	Batch write	Internal
One-shot pulse output mode ^{Note 3}	Valid	Valid	Compare only	Anytime write	Internal
PWM output mode	Invalid	Invalid	Compare only	Batch write	Internal/external
Free-running timer mode	Invalid	Invalid	Can be switched	Anytime write	Internal/external
Pulse width measurement mode ^{Note 3}	Invalid	Invalid	Capture only	Not applicable	Internal

Notes 1. Channel 1 can only be used in the interval timer mode. Note that when channel 1 is used, the INTTP1CC1 interrupt signal is enabled and so its alternate function, the USB interrupt INTUSBF0, cannot be used. As a result, the USB function controller cannot be used when channel 1 is used.

2. When using the external event count mode, specify that the valid edge of the TIPn0 pin capture trigger input is not detected (by clearing the TPnIOC1.TPnIS1 and TPnIOC1.TPnIS0 bits to 0).

3. When using the external trigger pulse output mode, one-shot pulse output mode, and pulse width measurement mode, select the internal clock as the count clock (by clearing the TPnCTL1.TPnEEE bit to 0).

(1) Basic counter operation

The basic operation of the 16-bit counter is described below. For more details, see the descriptions of each operating mode.

(a) Starting counting

TMPn starts counting from FFFFH in all operating modes, and increments as follows: FFFFH, 0000H, 0001H, 0002H, 0003H....

(b) Clearing TMPn

TMPn is cleared to 0000H when its value matches the value of the compare register or when the value of TMPn is captured upon the input of a valid capture trigger signal.

Note that when TMPn increments from FFFFH to 0000H immediately after it starts counting and following an overflow, it does not mean that TMPn has been cleared. Consequently, the INTTPnCC0 and INTTPnCC1 interrupts are not generated in this case.

(c) Overflow

TMPn overflows after it increments from FFFFH to 0000H in free-running timer mode and pulse width measurement mode. An overflow sets the TPnOPT0.TPnOVF bit to 1 and generates an interrupt request signal (INTTPnOV). Note that INTTPnOV will not be generated in the following cases:

- When TMPn has just started counting.
- When the compare value at which TMPn is cleared is specified as FFFFH.
- In pulse width measurement mode, when TMPn increments from FFFFH to 0000H after being cleared when its value of FFFFH was captured.

Caution After the INTTPnOV overflow interrupt request signal occurs, be sure to confirm that the overflow flag (TPnOVF) is set to 1.

(d) Reading TMPn while it is incrementing

TMPn can be read while it is incrementing by using the TPnCNT register.

Specifically, the value of TMPn can be read by reading the TPnCNT register while the TPnCLT0.TPnCE bit is 1. Note, however, that when the TPnCLT0.TPnCE bit is 0, the value of TMPn is always FFFFH and the value of the TPnCNT register is always 0000H.

(2) Anytime write and batch write

The TPnCCR0 and TPnCCR1 registers can be written even while TMPn is operating (that is, while the TPnCTL0.TPnCE bit is 1), but the way the CCR0 and CCR1 buffer registers are written differs depending on the mode. The two writing methods are anytime write and batch write.

(a) Anytime write

This writing method is used to transfer data from the TPnCCR0 and TPnCCR1 registers to the CCR0 and CCR1 buffer registers any time while TMPn is operating.

Figure 7-2. Flowchart Showing Basic Anytime Write Operation

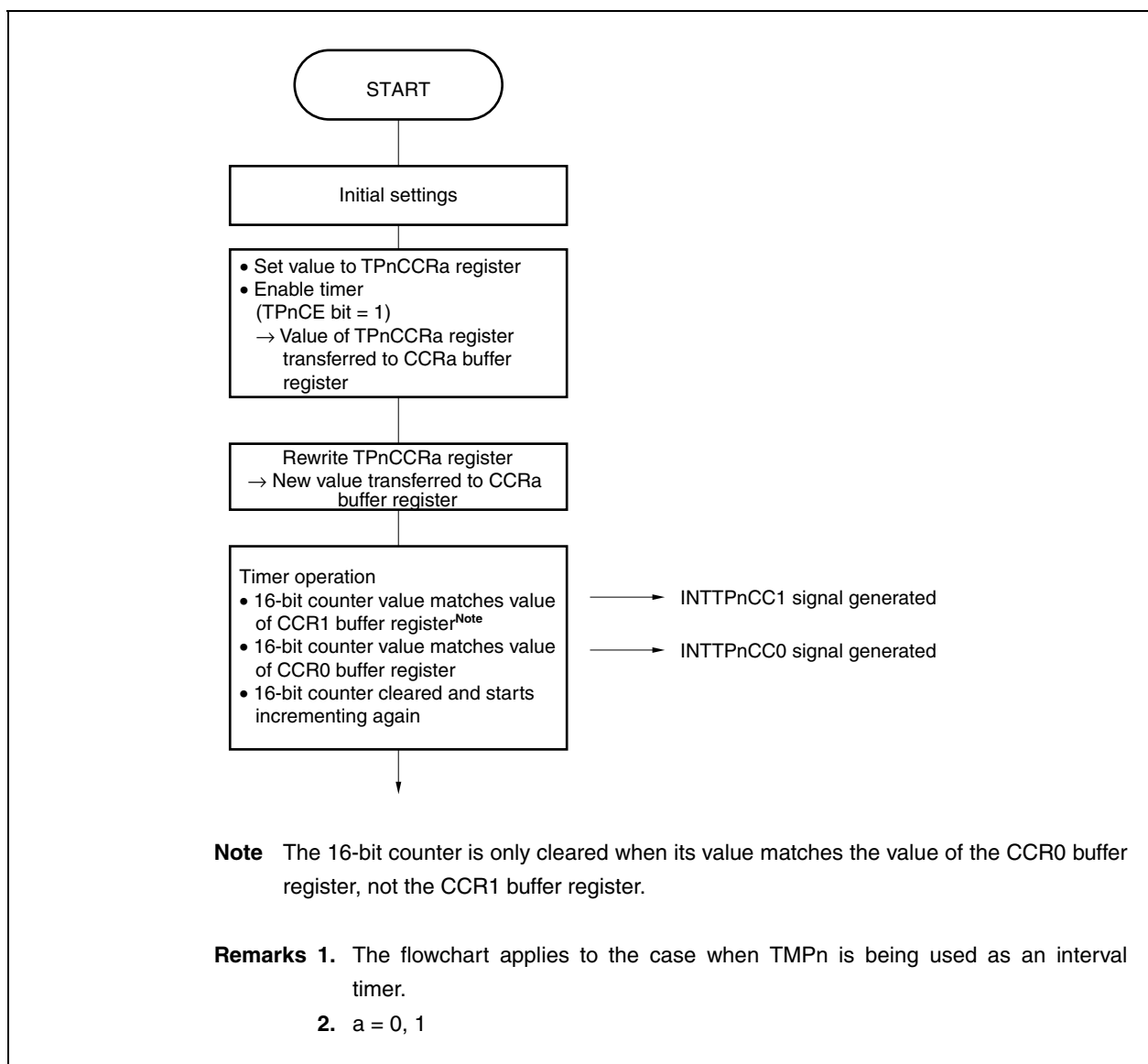
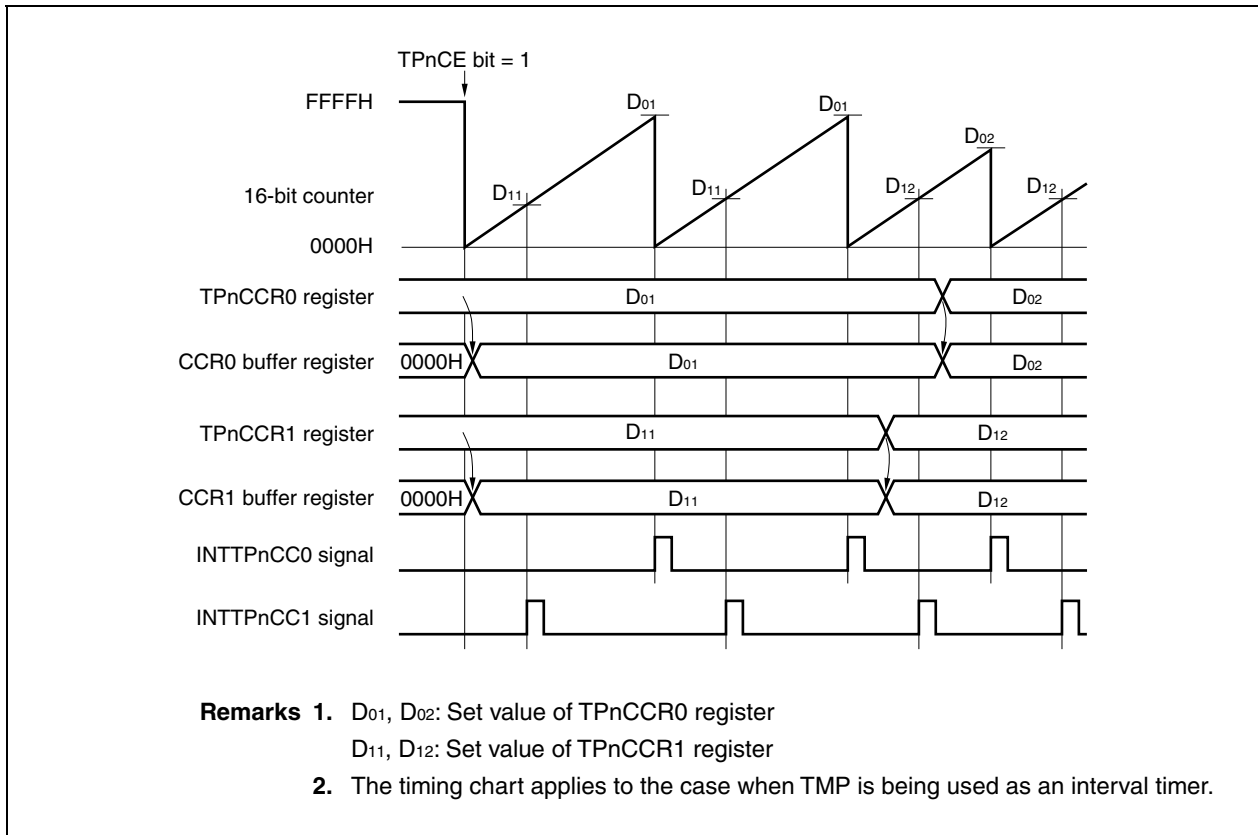


Figure 7-3. Anytime Write Timing



(b) Batch write

This writing method is used to transfer data from the TPnCCR0 and TPnCCR1 registers to the CCR0 and CCR1 buffer registers all at once while TMPn is operating. The data is transferred when the value of the 16-bit counter matches the value of the CCR0 buffer register. Transfer is enabled by writing to the TPnCCR1 register. Whether transfer of the next data is enabled or not depends on whether the TPnCCR1 register has been written.

To specify the value of the rewritten TPnCCR0 and TPnCCR1 registers as the 16-bit counter compare value (that is, the value to be transferred to the CCR0 and CCR1 buffer registers), the TPnCCR0 register must be rewritten before the value of the 16-bit counter matches the value of the CCR0 buffer register, and then the TPnCCR1 register must be written. The value of the TPnCCR0 and TPnCCR1 registers is then transferred to the CCR0 and CCR1 buffer registers when the value of the 16-bit counter matches the value of the CCR0 buffer register. Note that even if you wish to rewrite only the TPnCCR0 register value, you must also write the same value to the TPnCCR1 register (that is, the same value as the value already specified for the TPnCCR1 register).

Figure 7-4. Flowchart Showing Basic Batch Write Operation

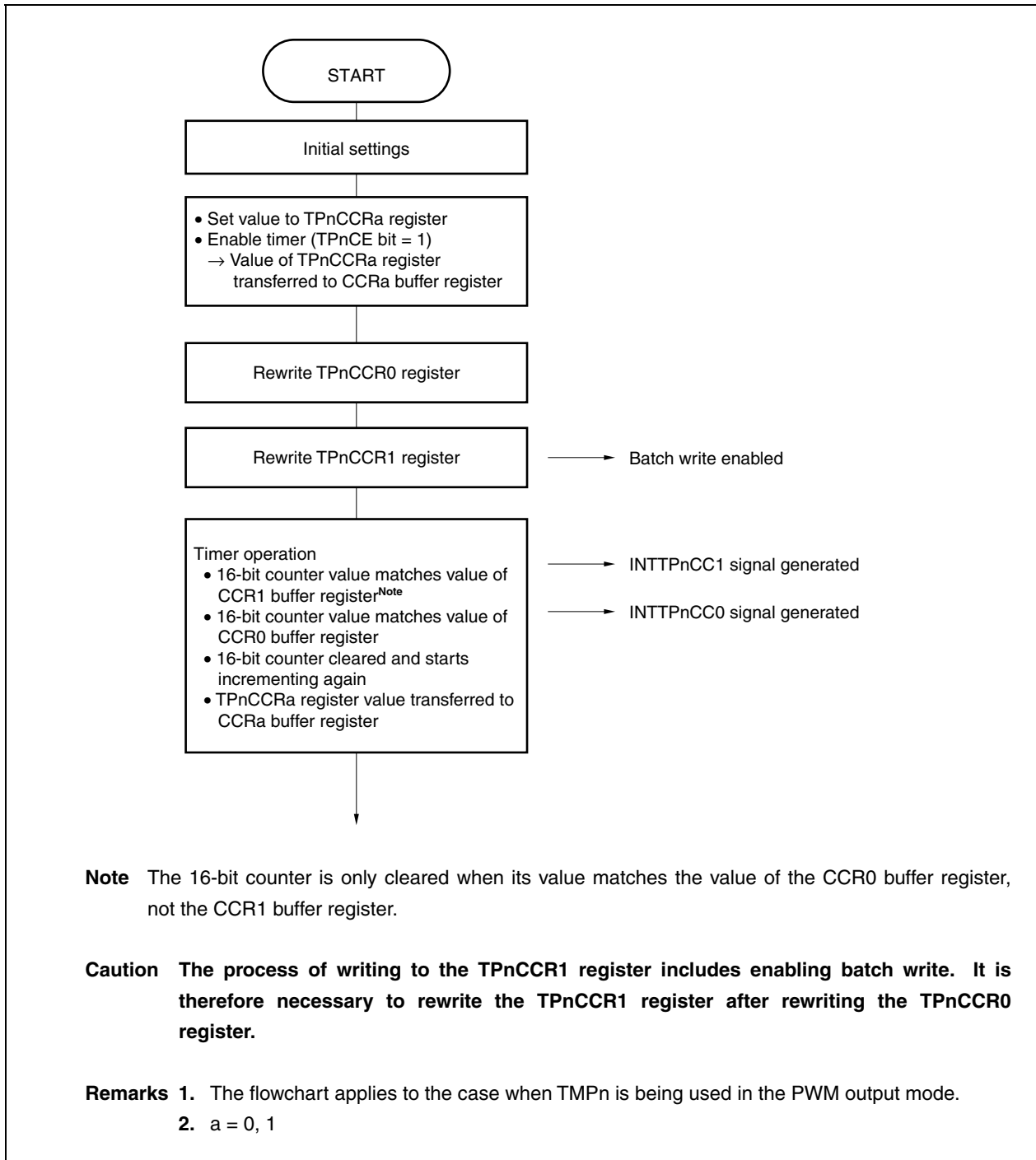
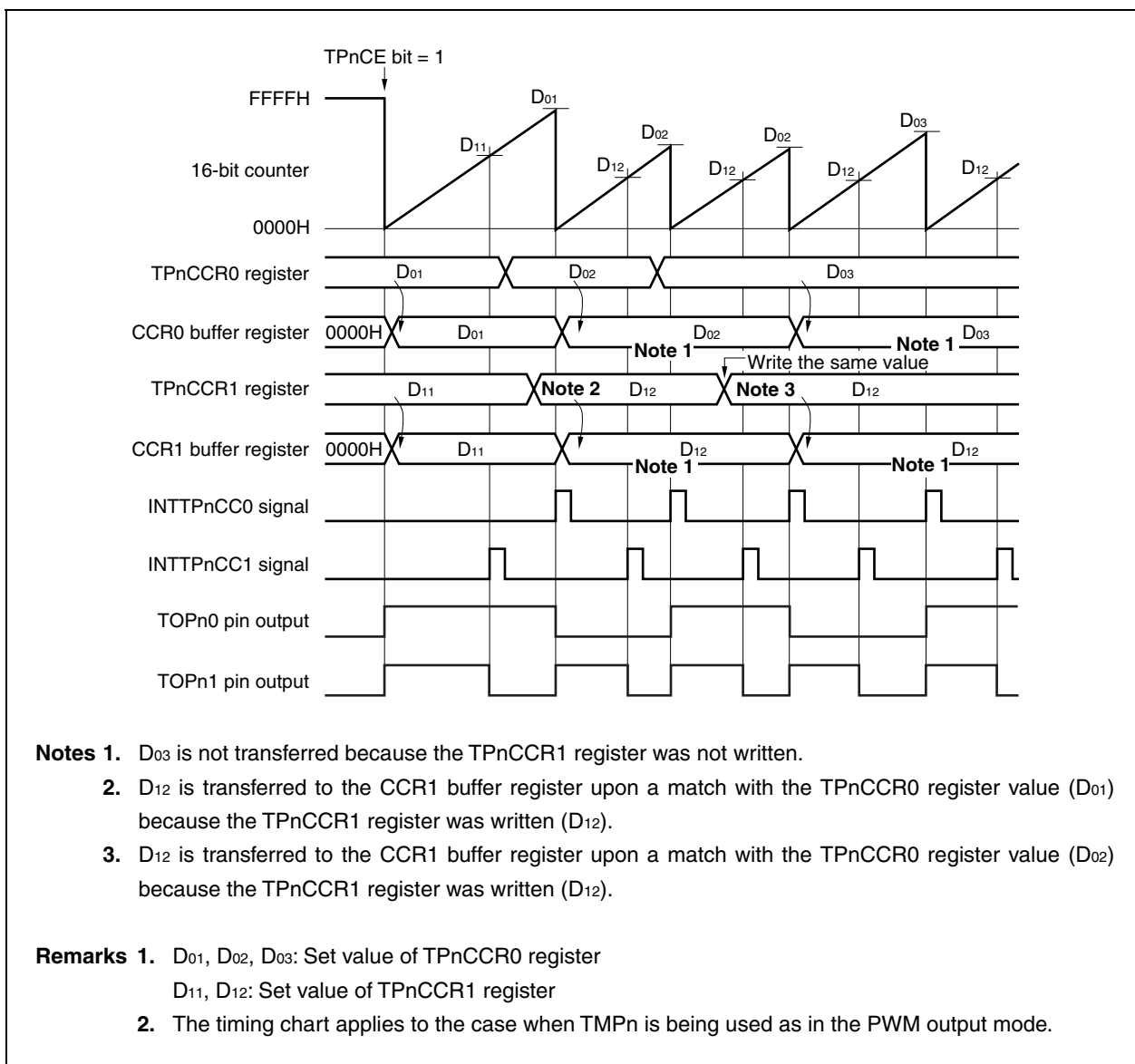


Figure 7-5. Batch Write Timing



7.4.1 Interval timer mode (TPnMD2 to TPnMD0 bits = 000)

In the interval timer mode, setting the TPnCTL0.TPnCE bit to 1 generates an interrupt request signal (INTTPnCC0) at a specified interval. Setting the TPnCE bit to 1 can also start the timer, which then outputs a square wave whose half cycle is equal to the interval from the TOPn0 pin.

Usually, the TPnCCR1 register is not used in the interval timer mode. Mask interrupts from this register by setting the interrupt mask flag (TPnCCMK1).

- Remarks 1.** For how to set the TOPn0 pin, see **Table 7-2 Pins Used by TMPn** and **Table 4-15 Settings When Pins Are Used for Alternate Functions**.
- 2.** For how to enable the INTTPnCC0 interrupt signal, see **CHAPTER 22 INTERRUPT SERVICING/ EXCEPTION PROCESSING FUNCTION**.

Figure 7-6. Configuration of Interval Timer

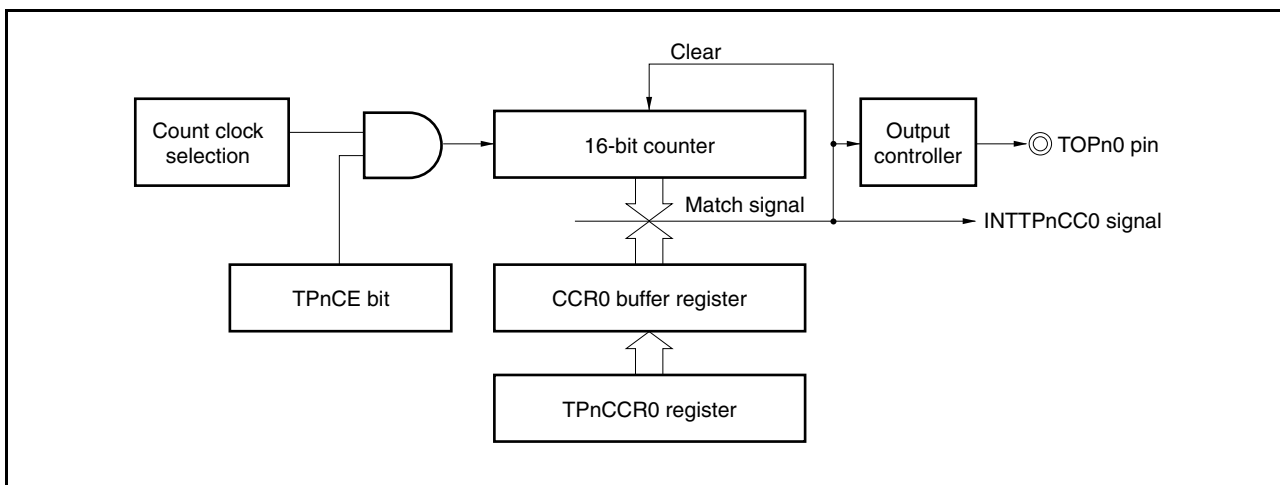
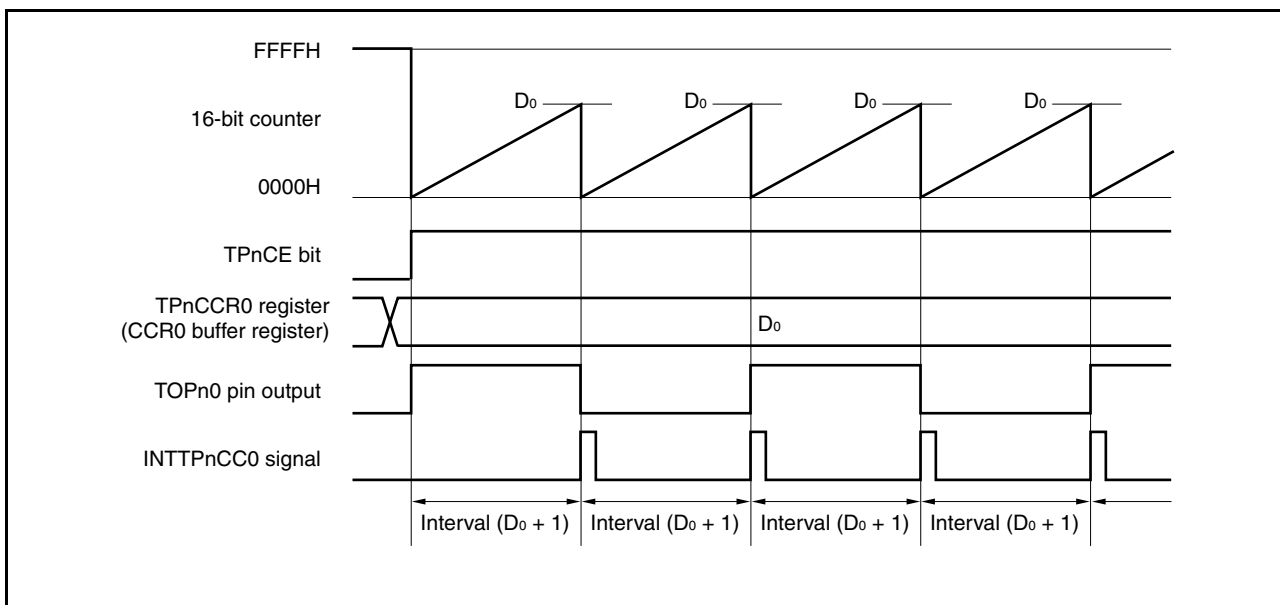


Figure 7-7. Basic Timing of Operation in Interval Timer Mode



When the TPnCE bit is set to 1, the value of the 16-bit counter is cleared from FFFFH to 0000H in synchronization with the count clock, and the counter starts incrementing. At this time, the output of the TOPn0 pin is inverted and the set value of the TPnCCR0 register is transferred to the CCR0 buffer register.

When the value of the 16-bit counter matches the value of the CCR0 buffer register, the 16-bit counter is cleared to 0000H, the output of the TOPn0 pin is inverted, and a compare match interrupt request signal (INTTPnCC0) is generated.

The interval can be calculated by using the following expression:

$$\text{Interval} = (\text{Set value of TPnCCR0 register} + 1) \times \text{Count clock cycle}$$

An example of the register settings when the interval timer mode is used is shown in the figure below.

Figure 7-8. Register Settings in Interval Timer Mode (1/2)

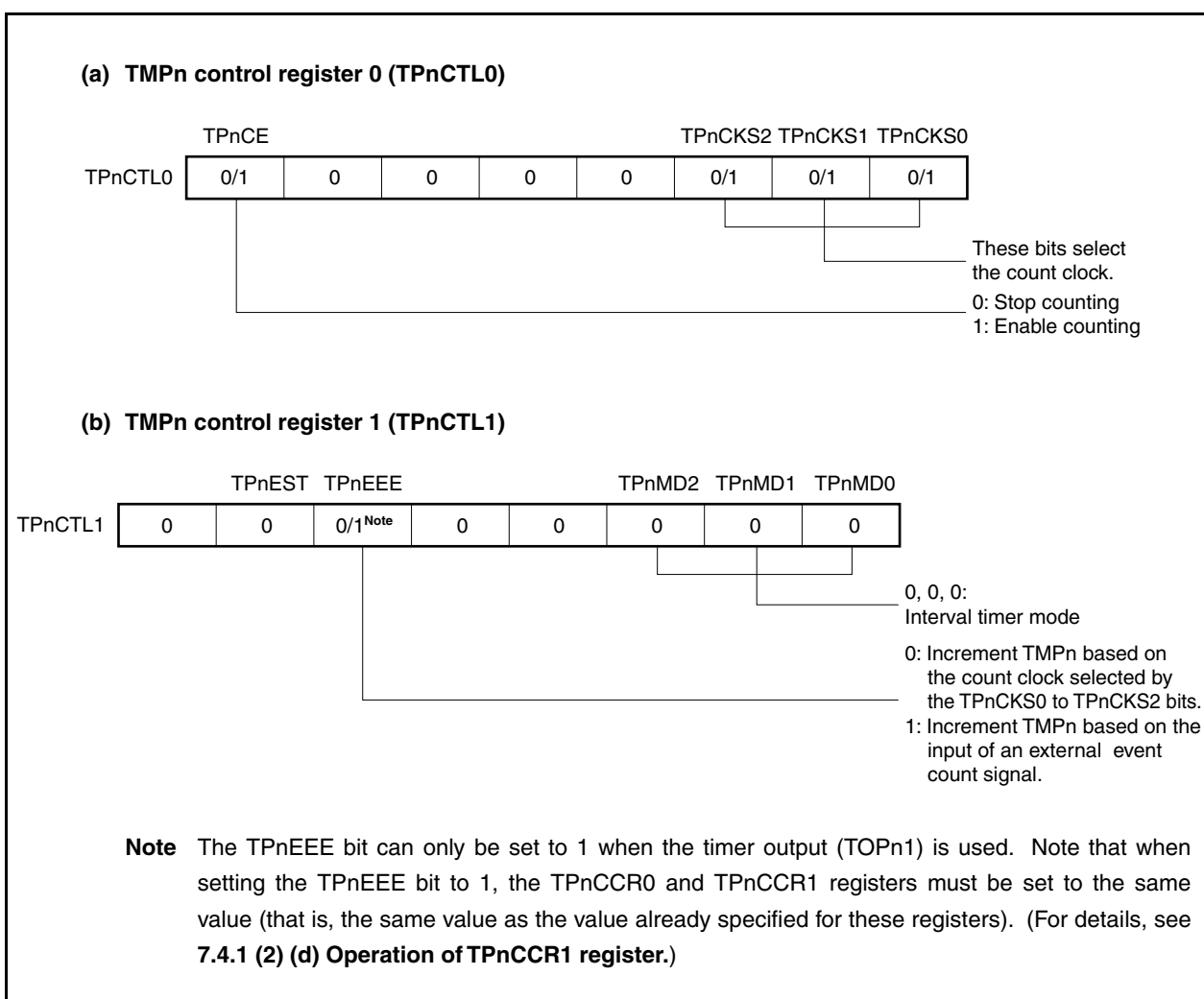
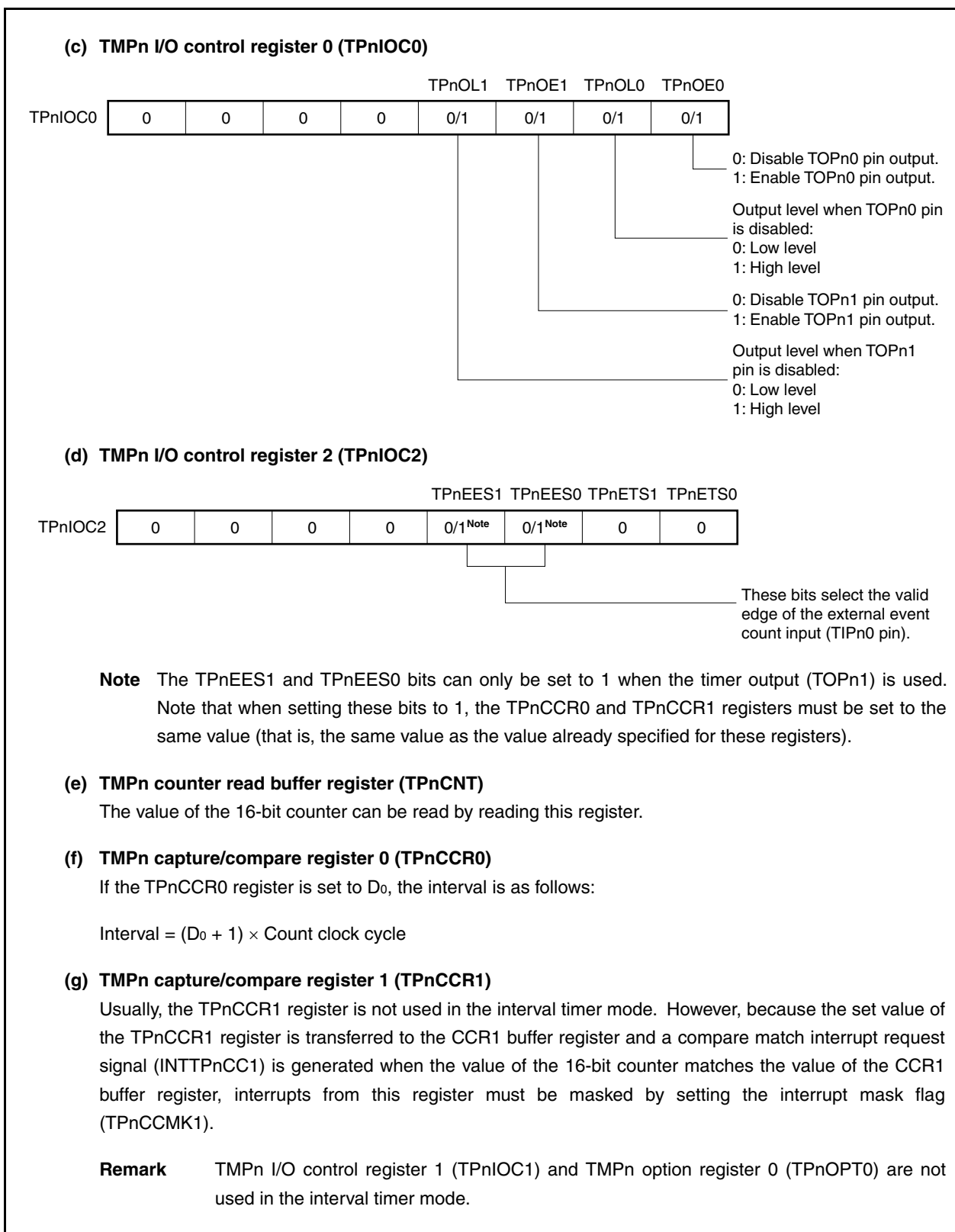
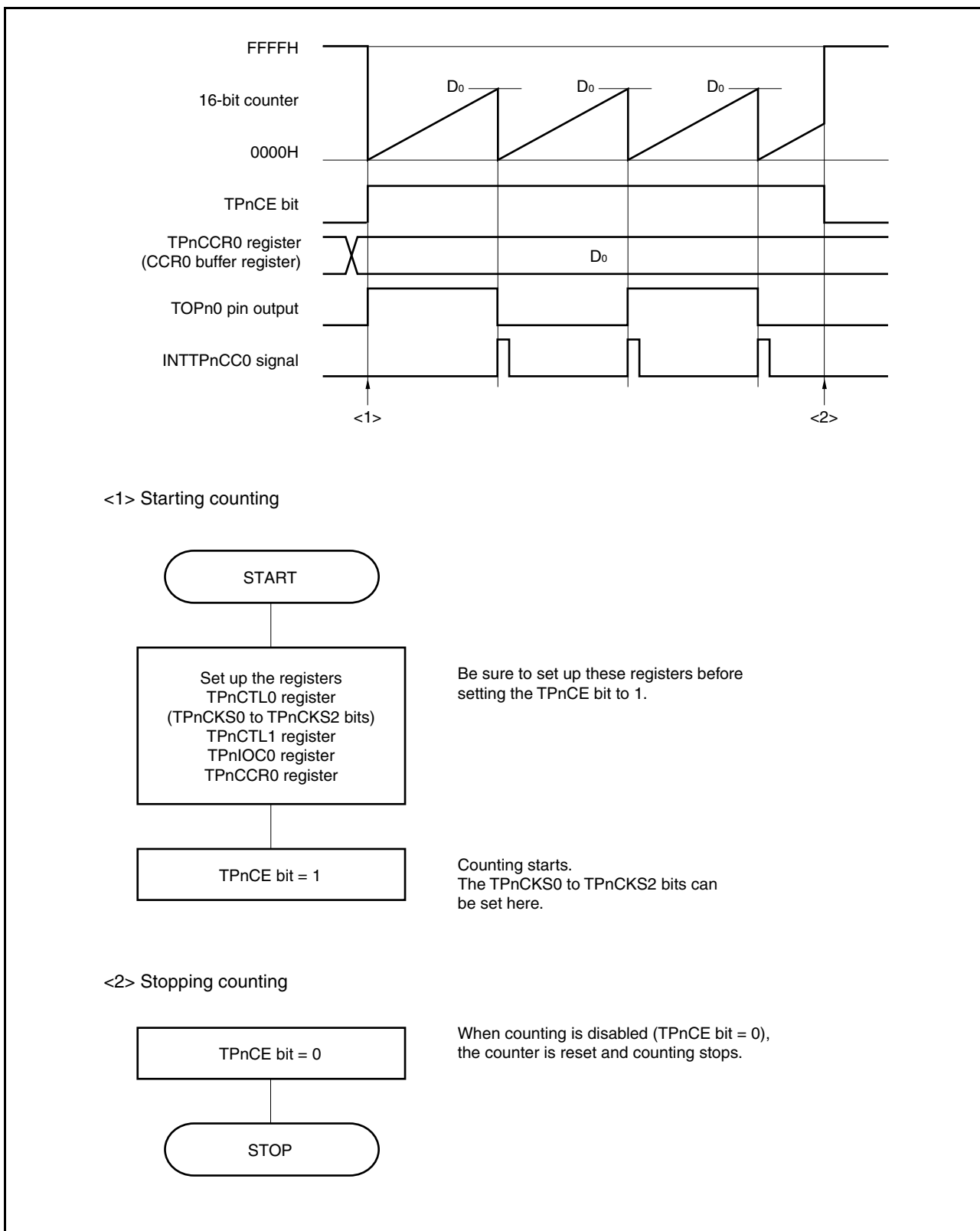


Figure 7-8. Register Settings in Interval Timer Mode (2/2)



(1) Operations in interval timer mode

Figure 7-9. Timing and Processing of Operations in Interval Timer Mode

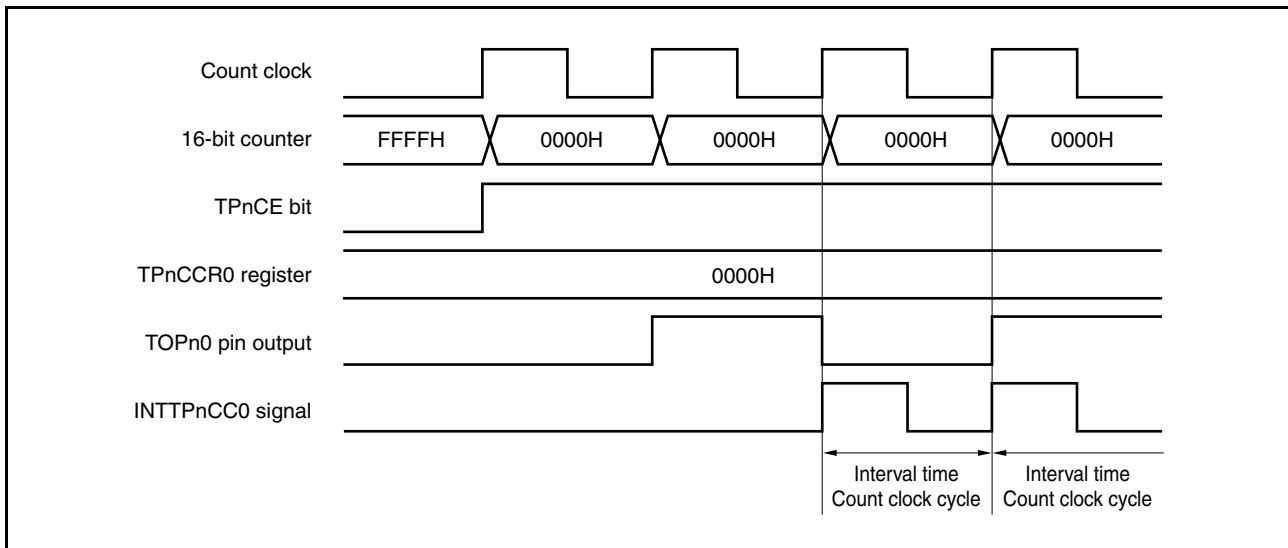


(2) Using interval timer mode**(a) Operation when TPnCCR0 register is set to 0000H**

When the TPnCCR0 register is set to 0000H, the INTTPnCC0 signal is generated each count clock cycle from the second clock cycle, and the output of the TOPn0 pin is inverted.

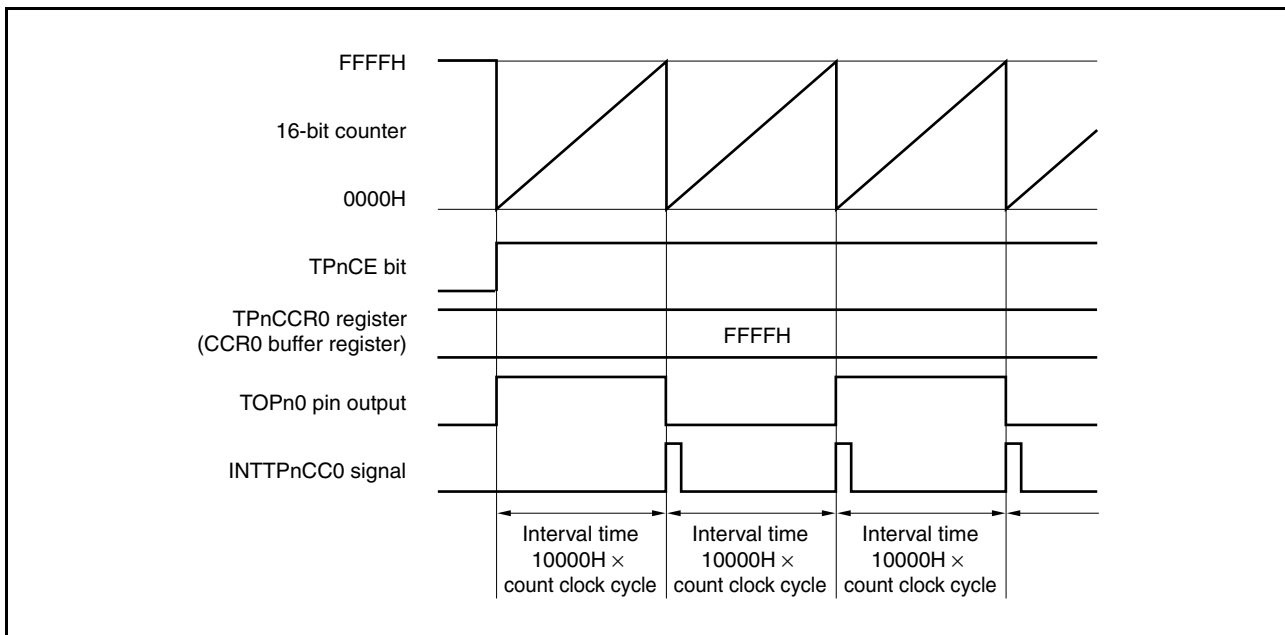
The value of the 16-bit counter is always 0000H.

Figure 7-10. Operation of Interval Timer When TPnCCR0 Register Is Set to 0000H



(b) Operation when TPnCCR0 register is set to FFFFH

When the TPnCCR0 register is set to FFFFH, the 16-bit counter increments up to FFFFH and is reset to 0000H in synchronization with the next increment timing. The INTTPnCC0 signal is then generated and the output of the TOPn0 pin is inverted. At this time, an overflow interrupt request signal (INTTPnOV) is not generated, nor is the overflow flag (TPnOPT0.TPnOVF bit) set to 1.

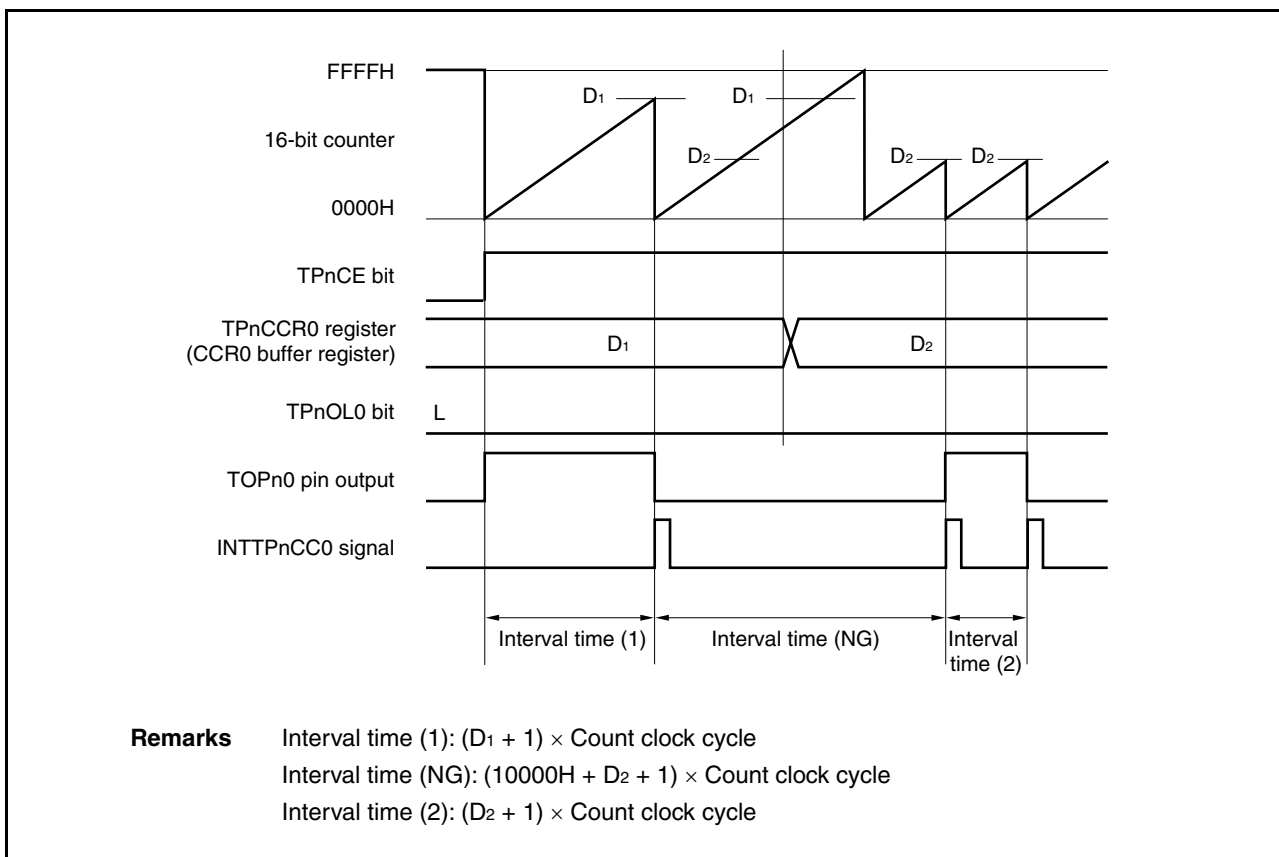
Figure 7-11. Operation of Interval Timer When TPnCCR0 Register Is Set to FFFFH

(c) Notes on rewriting TPnCCR0 register

When rewriting the value of the TPnCCR0 register to a smaller value, stop counting first and then change the set value.

If the value of the TPnCCR0 register is rewritten to a smaller value during counting, the 16-bit counter may overflow.

Figure 7-12. Rewriting TPnCCR0 Register



If the value of the TPnCCR0 register is changed from D_1 to D_2 while the counter value is greater than D_2 but less than D_1 , the TPnCCR0 register value is transferred to the CCR0 buffer register as soon as the register has been rewritten. Consequently, the value that is compared with the 16-bit counter value is D_2 .

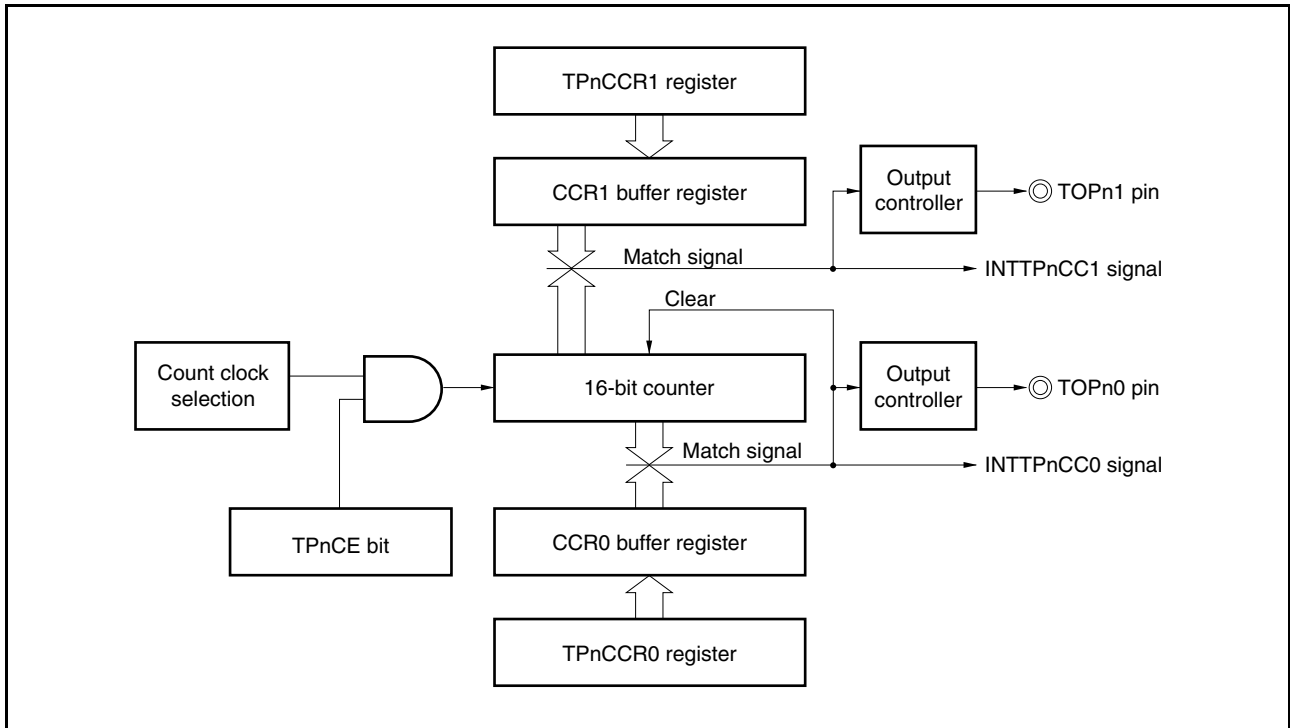
Because the counter value has already exceeded D_2 , however, the 16-bit counter counts up to FFFFH, overflows, and then counts up again from 0000H. When the counter value matches D_2 , the INTTPnCC0 signal is generated and the output of the TOPn0 pin is inverted.

Therefore, the INTTPnCC0 signal may not be generated at the interval " $(D_1 + 1) \times \text{Count clock cycle}$ " or " $(D_2 + 1) \times \text{Count clock cycle}$ " as originally expected, but instead may be generated at an interval of " $(10000H + D_2 + 1) \times \text{Count clock cycle}$ ".

(d) Operation of TPnCCR1 register

The TPnCCR1 register is configured as follows in the interval timer mode.

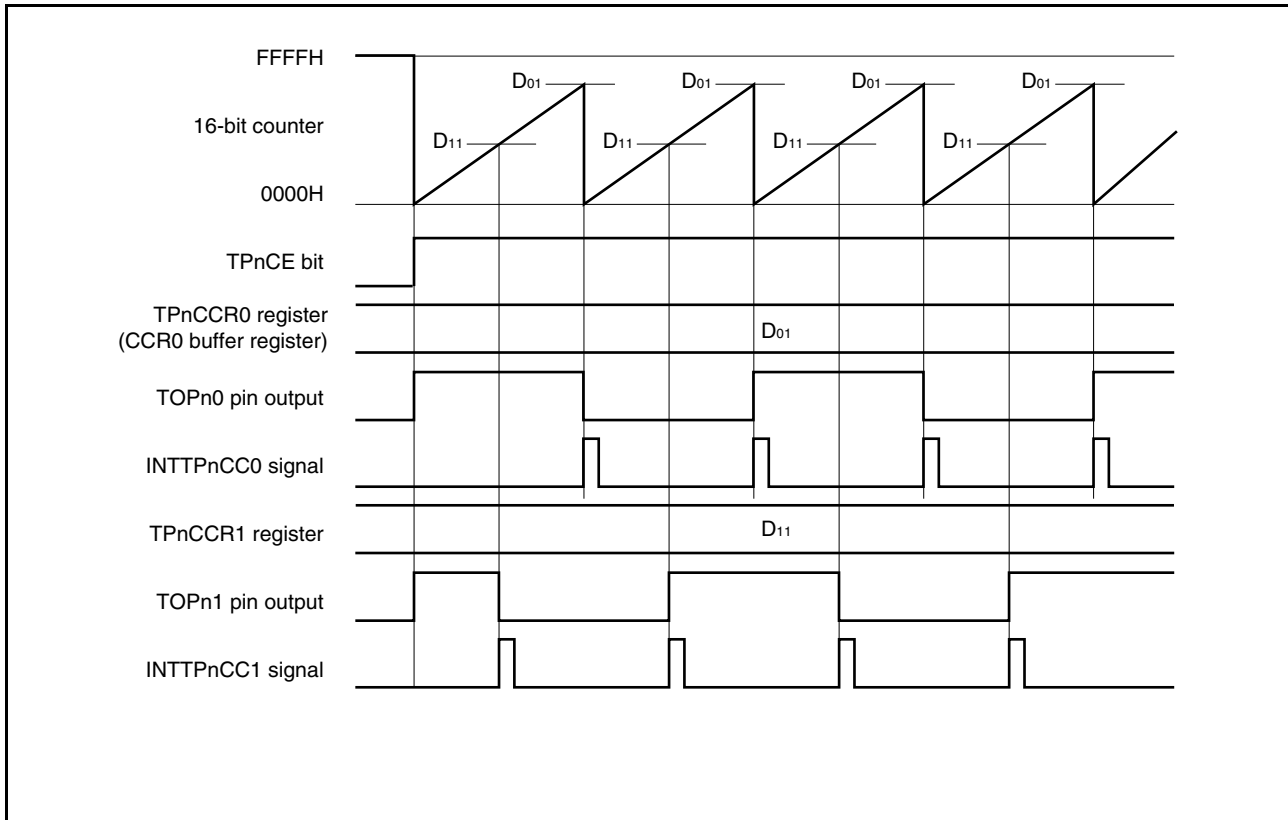
Figure 7-13. Configuration of TPnCCR1 Register



If the value of the TPnCCR1 register is less than or equal to the value of the TPnCCR0 register, the INTTPnCC1 signal is generated once per cycle. At the same time, the output of the TOPn1 pin is inverted. The TOPn1 pin outputs a square wave with the same cycle as that output by the TOPn0 pin but with a different phase.

A chart showing the timing of operations when the value of the TPnCCR1 register (D_{11}) is less than or equal to the value of the TPnCCR0 register (D_{01}) is shown below.

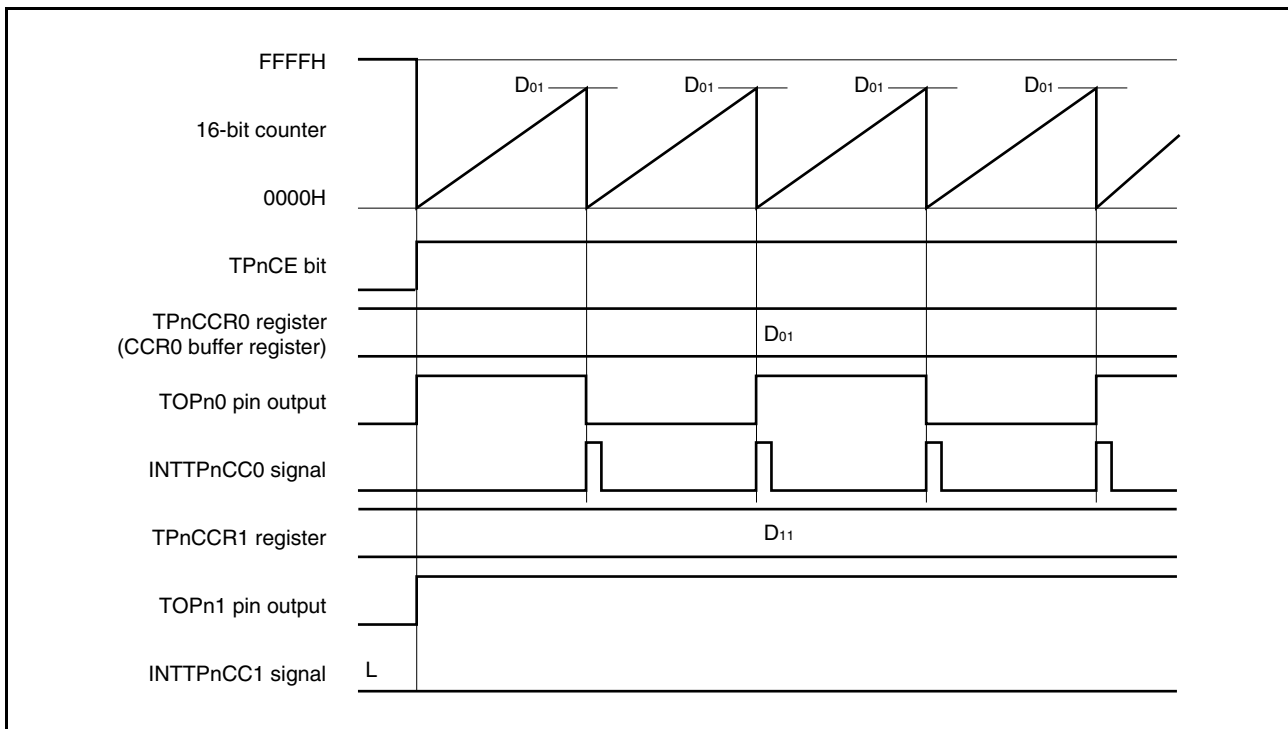
Figure 7-14. Timing of Operations When $D_{01} \geq D_{11}$



If the value of the TPnCCR1 register is greater than the value of the TPnCCR0 register, the value of the 16-bit counter will not match the value of the TPnCCR1 register. Consequently, the INTTPnCC1 signal is not generated, nor is the output of the TOPn1 pin changed.

A chart showing the timing of operations when the value of the TPnCCR1 register (D_{11}) is greater than the value of the TPnCCR0 register (D_{01}) is shown below.

Figure 7-15. Timing of Operations When $D_{01} < D_{11}$

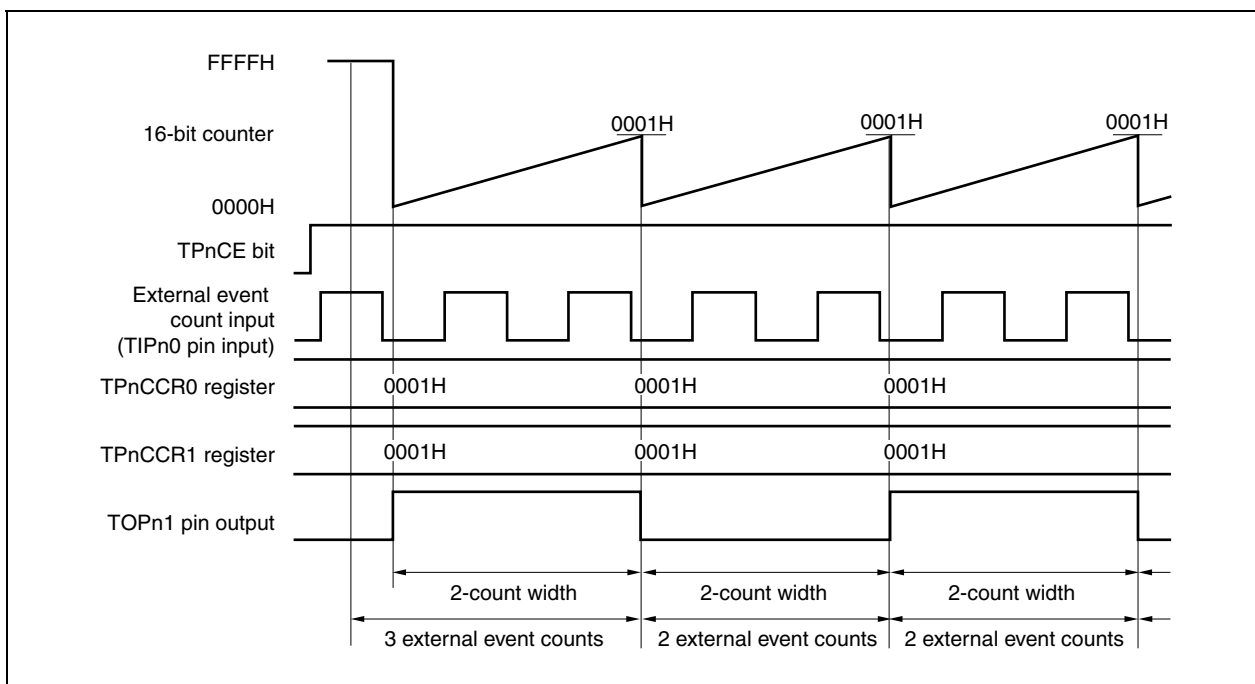


(3) Operation of interval timer based on input of external event count

(a) Operation

When the 16-bit counter is incrementing based on the valid edge of the external count input (TIPn0 pin) in the interval timer mode, one external event count valid edge must be input immediately after the TPnCE bit changes from 0 to 1 to start the counter incrementing after the 16-bit counter is cleared from FFFFH to 0000H. Once the TPnCCR0 and TPnCCR1 registers are set to 0001H (that is, the same value as was previously set), the TOPn1 pin output is inverted every two counts of the 16-bit counter. Note that the TPnCTL1.TPnEEE bit can only be set to 1 when timer output (TOPn1) is used based on the input of an external event count.

Figure 7-16. Operation of Interval Timer Based on Input of External Event Count (TIPn0)



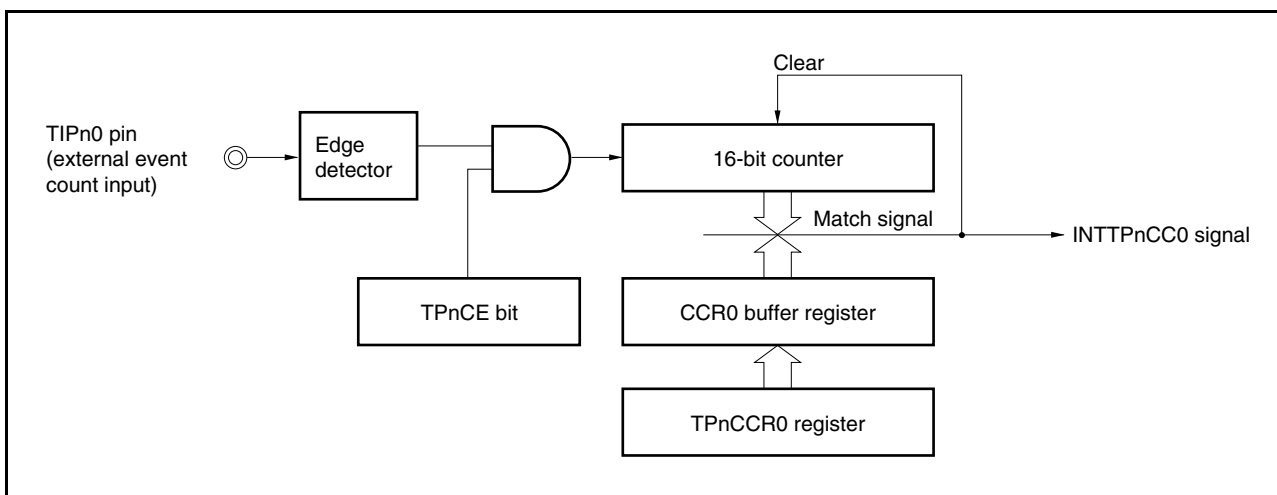
7.4.2 External event count mode (TPnMD2 to TPnMD0 bits = 001)

In the external event count mode, the valid edge of the external event count input is counted when the TPnCTL0.TPnCE bit is set to 1, and an interrupt request signal (INTTPnCC0) is generated each time the specified number of edges have been counted. The timer output pins (TOPn0 and TOPn1) cannot be used. To use the TOPn1 pin in the external event count mode, first set the TPnCTL1.TPnEEE bit to 1 in the interval timer mode (see 7.4.1 (3) **Operation of interval timer based on input of external event count**).

Usually, the TPnCCR1 register is not used in the external event count mode.

- Remarks 1.** For how to set the TIPn0 pin, see **Table 7-2 Pins Used by TMPn** and **Table 4-15 Settings When Pins Are Used for Alternate Functions**.
- 2.** For how to enable the INTTPnCC0 interrupt signal, see **CHAPTER 22 INTERRUPT SERVICING/ EXCEPTION PROCESSING FUNCTION**.

Figure 7-17. Configuration of Interval Timer in External Event Count Mode

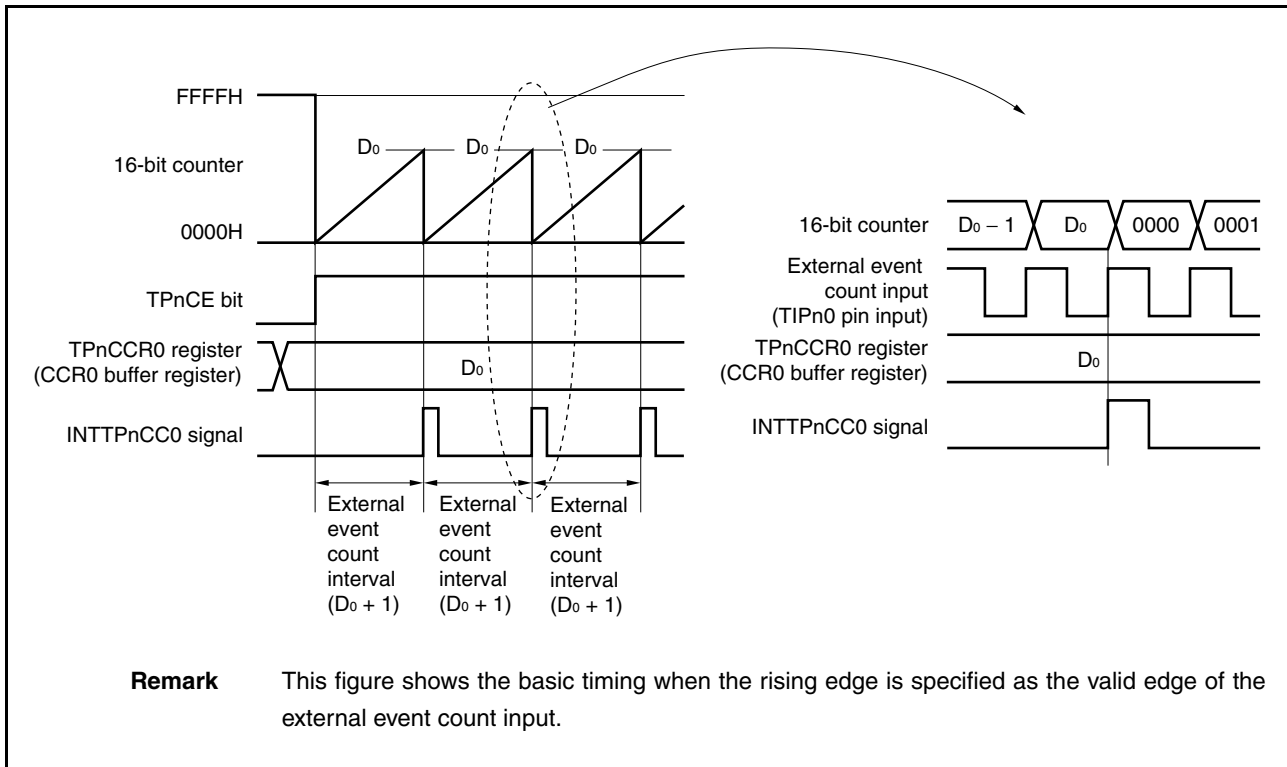


When the TPnCE bit is set to 1, the value of the 16-bit counter is cleared from FFFFH to 0000H. The counter increments each time the valid edge of the external event count input is detected, and the value of the TPnCCR0 register is transferred to the CCR0 buffer register.

When the value of the 16-bit counter matches the value of the CCR0 buffer register, the 16-bit counter is cleared to 0000H, and a compare match interrupt request signal (INTTPnCC0) is generated.

The INTTPnCC0 signal is generated each time the valid edge of the external event count input has been detected the specified number of times (that is, the value of the TPnCCR0 register + 1).

Figure 7-18. Basic Timing of Operations in External Event Count Mode



An example of the register settings when the external event count mode is used is shown in the figure below.

Figure 7-19. Register Settings in External Event Count Mode (1/2)

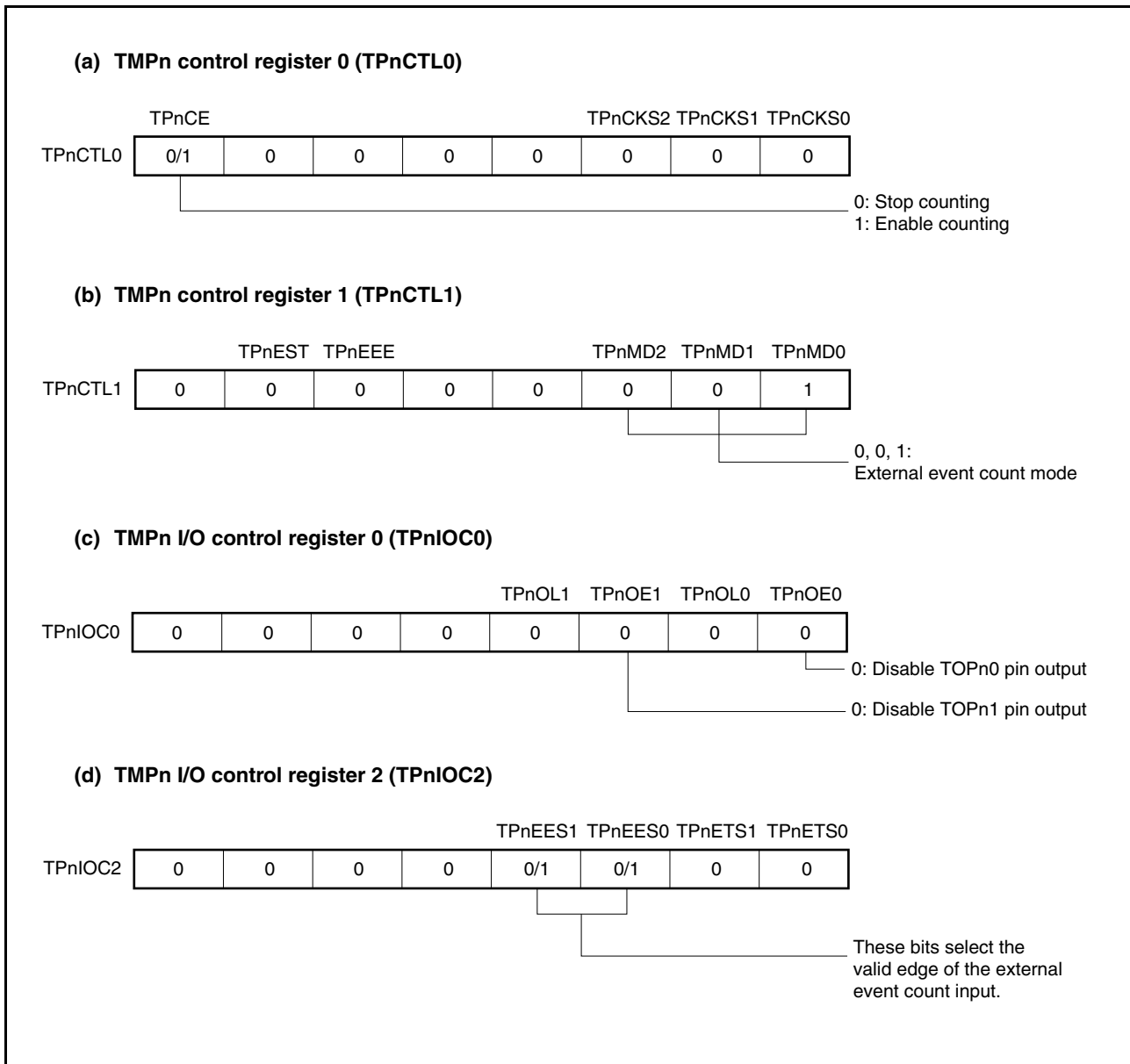


Figure 7-19. Register Settings in External Event Count Mode (2/2)

(e) TMPn counter read buffer register (TPnCNT)

The value of the 16-bit counter can be read by reading this register.

(f) TMPn capture/compare register 0 (TPnCCR0)

When the TPnCCR0 register is set to D_0 , the counter is cleared and a compare match interrupt request signal (INTTPnCC0) is generated when the number of external events reaches $(D_0 + 1)$.

(g) TMPn capture/compare register 1 (TPnCCR1)

The TPnCCR1 register is not usually used in the external event count mode. However, because the set value of the TPnCCR1 register is transferred to the CCR1 buffer register and a compare match interrupt request signal (INTTPnCC1) is generated when the value of the 16-bit counter matches the value of the CCR1 buffer register, interrupts from this register must be masked by setting the interrupt mask flag (TPnCCMK1).

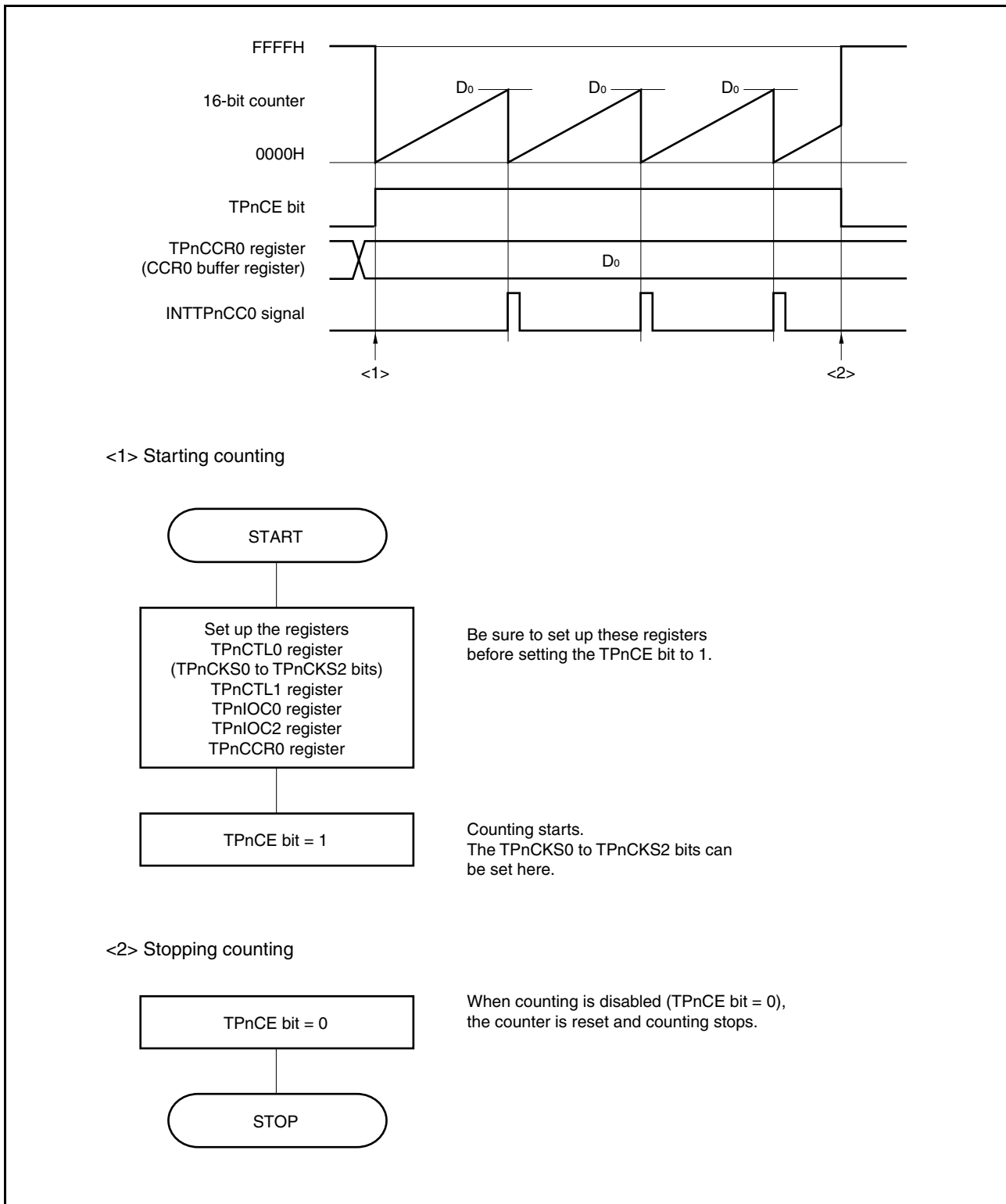
Cautions 1. Do not set the TPnCCR0 register to 0000H in the external event count mode.

- 2. Timer output cannot be used in the external event count mode. When using the timer output based on the input of an external event count, first set the operating mode to interval mode, and then specify "operation enabled" for the external event count input (by setting the TPnCTL1.TPnMD2 to TPnMD0 bits to 0, 0, 0 and setting the TPnCTL1.TPnEEE bit to 1). For details, see 7.4.1 (3) Operation of interval timer based on input of external event count.**

Remarks TMPn I/O control register 1 (TPnIOC1) and TMPn option register 0 (TPnOPT0) are not used in the external event count mode.

(1) Operations in external event count mode

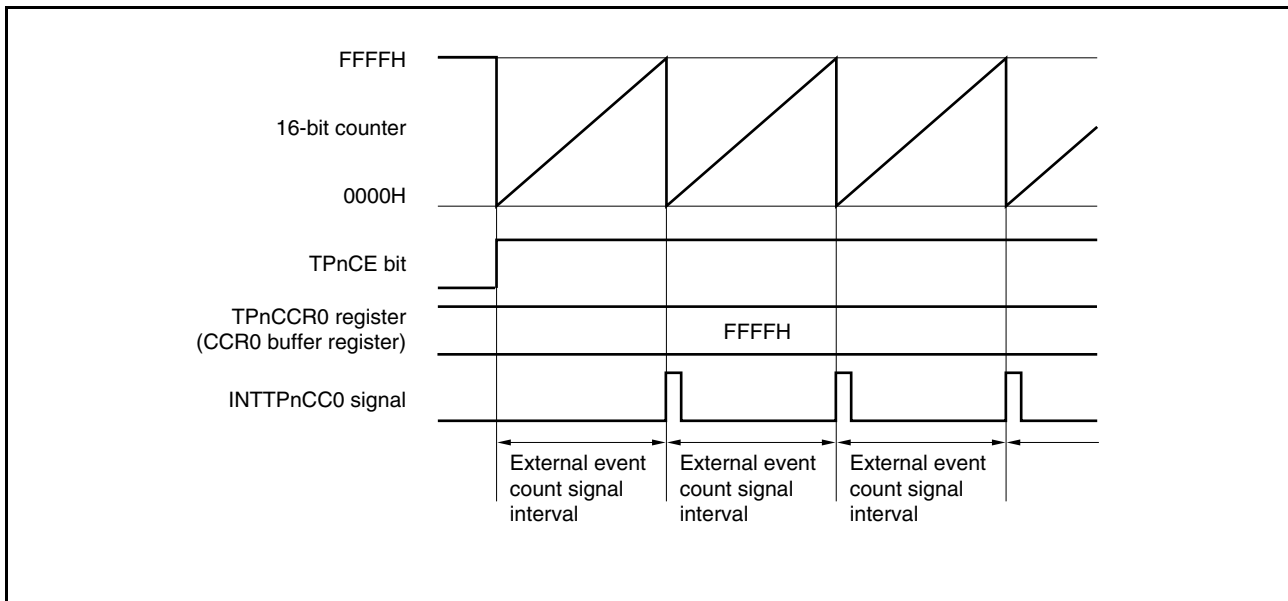
Figure 7-20. Timing and Processing of Operations in External Event Count Mode



(2) Using external event count mode**(a) Operation when TPnCCR0 register is set to FFFFH**

When the TPnCCR0 register is set to FFFFH, the 16-bit counter increments up to FFFFH upon detection of the valid edge of the external event count signal and is reset to 0000H in synchronization with the next increment timing. The INTTPnCC0 signal is then generated. At this time, the TPnOPT0.TPnOVF bit is not set to 1.

Figure 7-21. Operation When TPnCCR0 Register Is Set to FFFFH

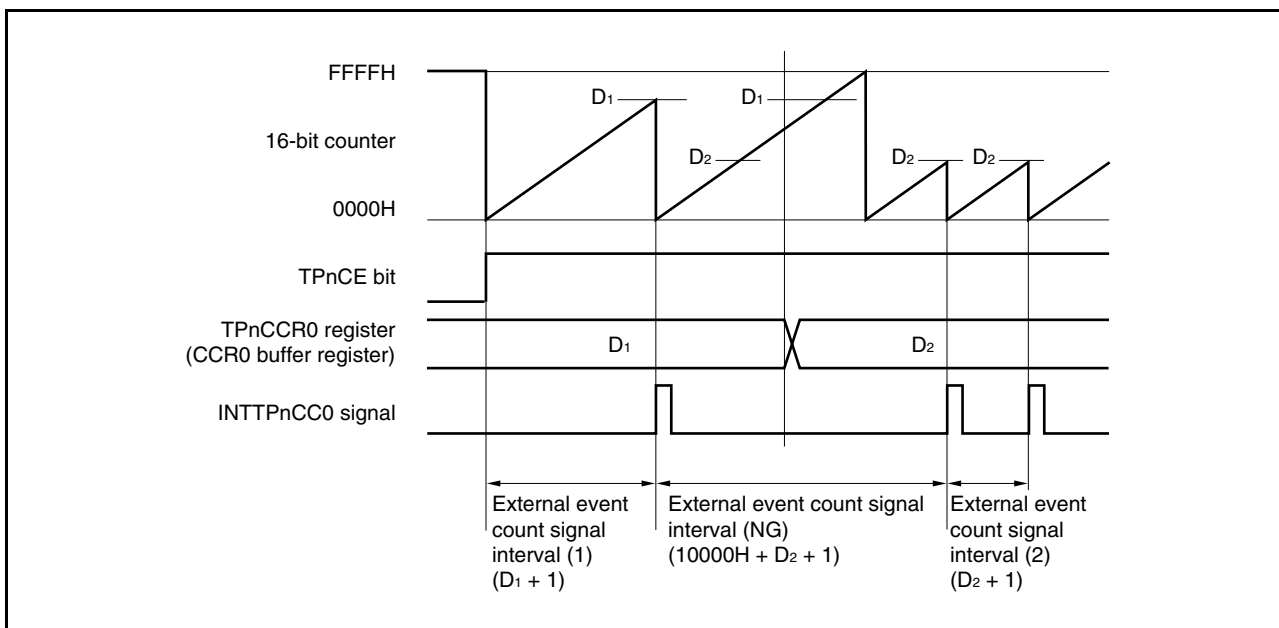


(b) Notes on rewriting TPnCCR0 register

When rewriting the value of the TPnCCR0 register to a smaller value, stop counting first and then change the set value.

If the value of the TPnCCR0 register is rewritten to a smaller value during counting, the 16-bit counter may overflow.

Figure 7-22. Rewriting TPnCCR0 Register



If the value of the TPnCCR0 register is changed from D_1 to D_2 while the counter value is greater than D_2 but less than D_1 , the TPnCCR0 register value is transferred to the CCR0 buffer register as soon as the register has been rewritten. Consequently, the value that is compared with the 16-bit counter value is D_2 .

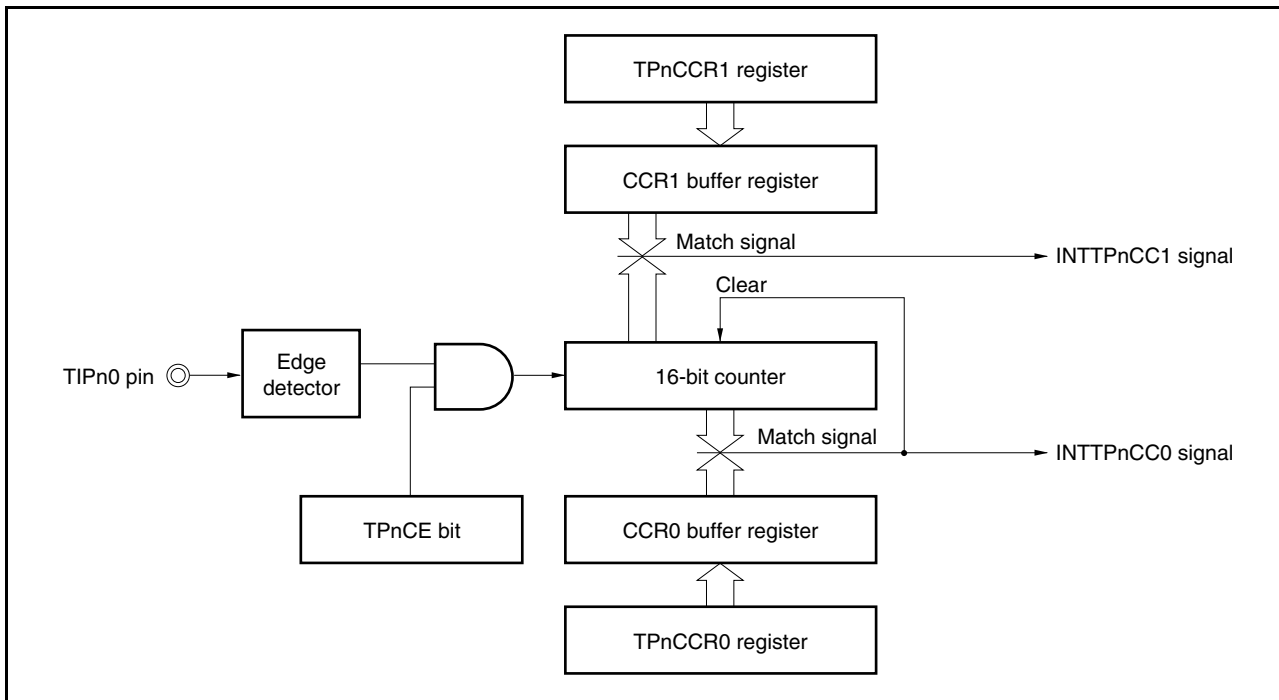
Because the counter value has already exceeded D_2 , however, the 16-bit counter increments up to FFFFH, overflows, and then increments up again from 0000H. When the counter value matches D_2 , the INTTPnCC0 signal is generated.

Therefore, the INTTPnCC0 signal may not be generated at the valid edge of the external event count signal when the external event count is " $(D_1 + 1)$ " or " $(D_2 + 1)$ " as originally expected, but instead may be generated at the valid edge of the external event count signal when the external event count is " $(10000H + D_2 + 1)$ ".

(c) Operation of TPnCCR1 register

The TPnCCR1 register is configured as follows in the external event count mode.

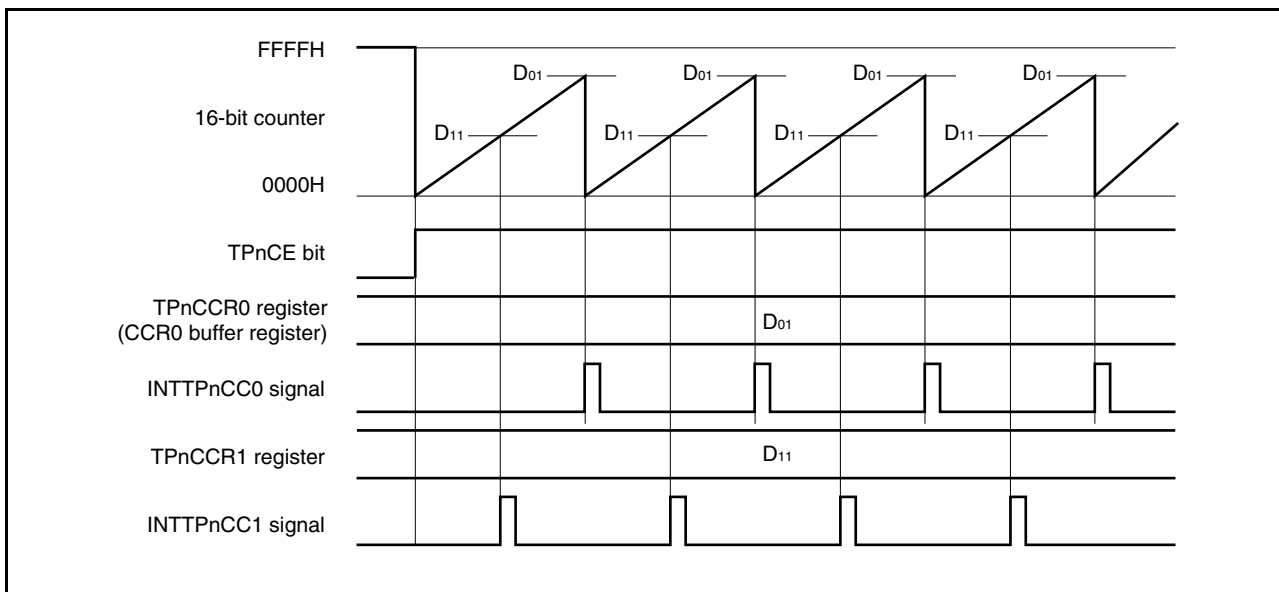
Figure 7-23. Configuration of TPnCCR1 Register



If the value of the TPnCCR1 register is less than or equal to the value of the TPnCCR0 register, the INTTPnCC1 signal is generated once per cycle.

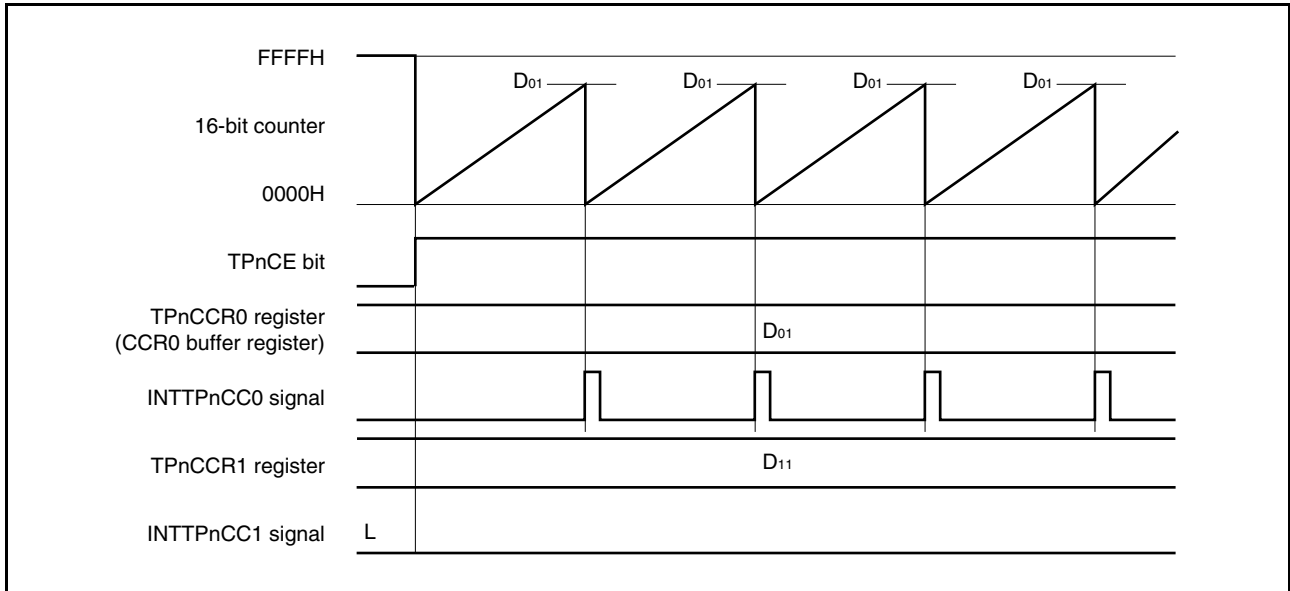
A chart showing the timing of operations when the value of the TPnCCR1 register (D_{11}) is less than or equal to the value of the TPnCCR0 register (D_{01}) is shown below.

Figure 7-24. Timing of Operations When $D_{01} \geq D_{11}$



If the value of the TPnCCR1 register is greater than the value of the TPnCCR0 register, the value of the 16-bit counter will not match the value of the TPnCCR1 register and the INTTPnCC1 signal will not be generated. A chart showing the timing of operations when the value of the TPnCCR1 register (D_{11}) is greater than the value of the TPnCCR0 register (D_{01}) is shown below.

Figure 7-25. Timing of Operations When $D_{01} < D_{11}$



7.4.3 External trigger pulse output mode (TPnMD2 to TPnMD0 bits = 010)

In the external trigger pulse output mode, when the TPnCTL0.TPnCE bit is set to 1, TMPn waits for a trigger, which is the valid edge of the external trigger input signal, and starts incrementing when this trigger is detected. TMPn then outputs a PWM waveform from the TOPn1 pin.

Pulses can also be output by generating a software trigger instead of using the external trigger. When using a software trigger instead of the external trigger, a square wave that has one cycle of the PWM waveform as half its cycle can also be output from the TOPn0 pin.

- Remarks 1.** For how to set the TIPn0, TOPn0, and TOPn1 pins, see **Table 7-2 Pins Used by TMPn** and **Table 4-15 Settings When Pins Are Used for Alternate Functions**.
- 2.** For how to enable the INTTPnCC0 and INTTPnCC1 interrupt signals, see **CHAPTER 22 INTERRUPT SERVICING/EXCEPTION PROCESSING FUNCTION**.

Figure 7-26. Configuration of TMP in External Trigger Pulse Output Mode

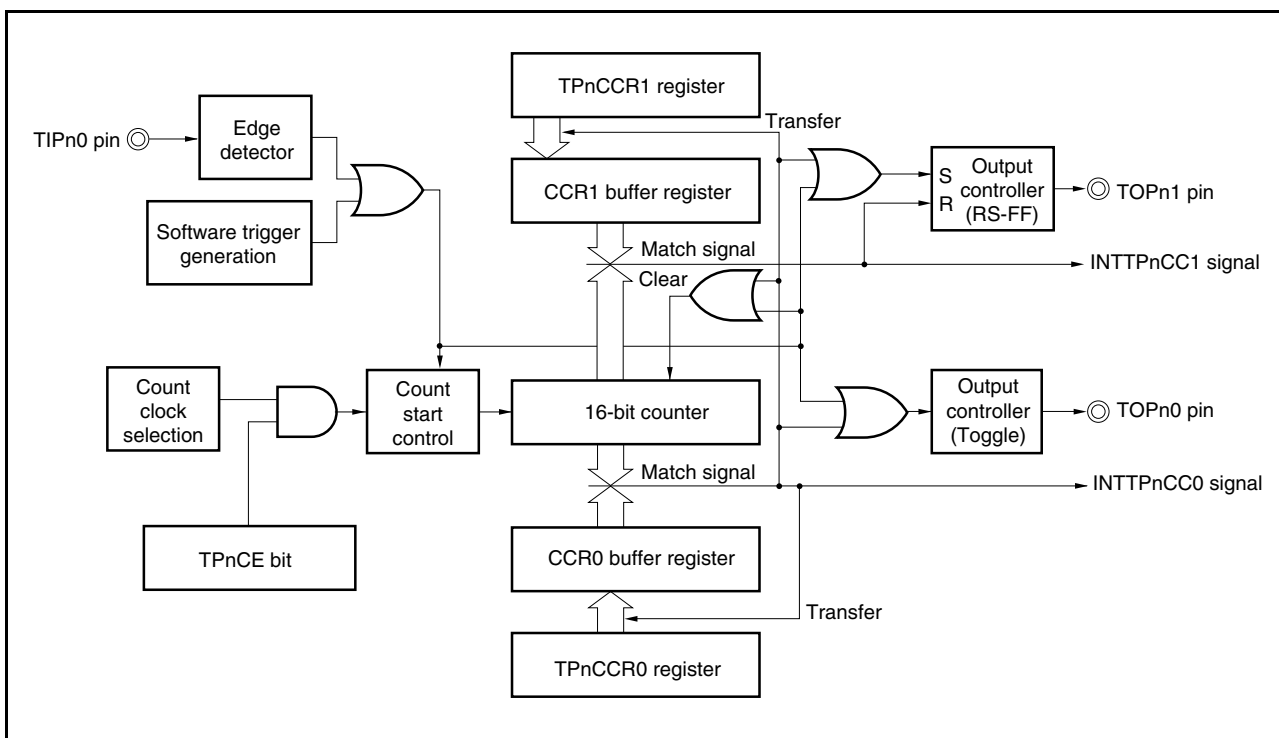
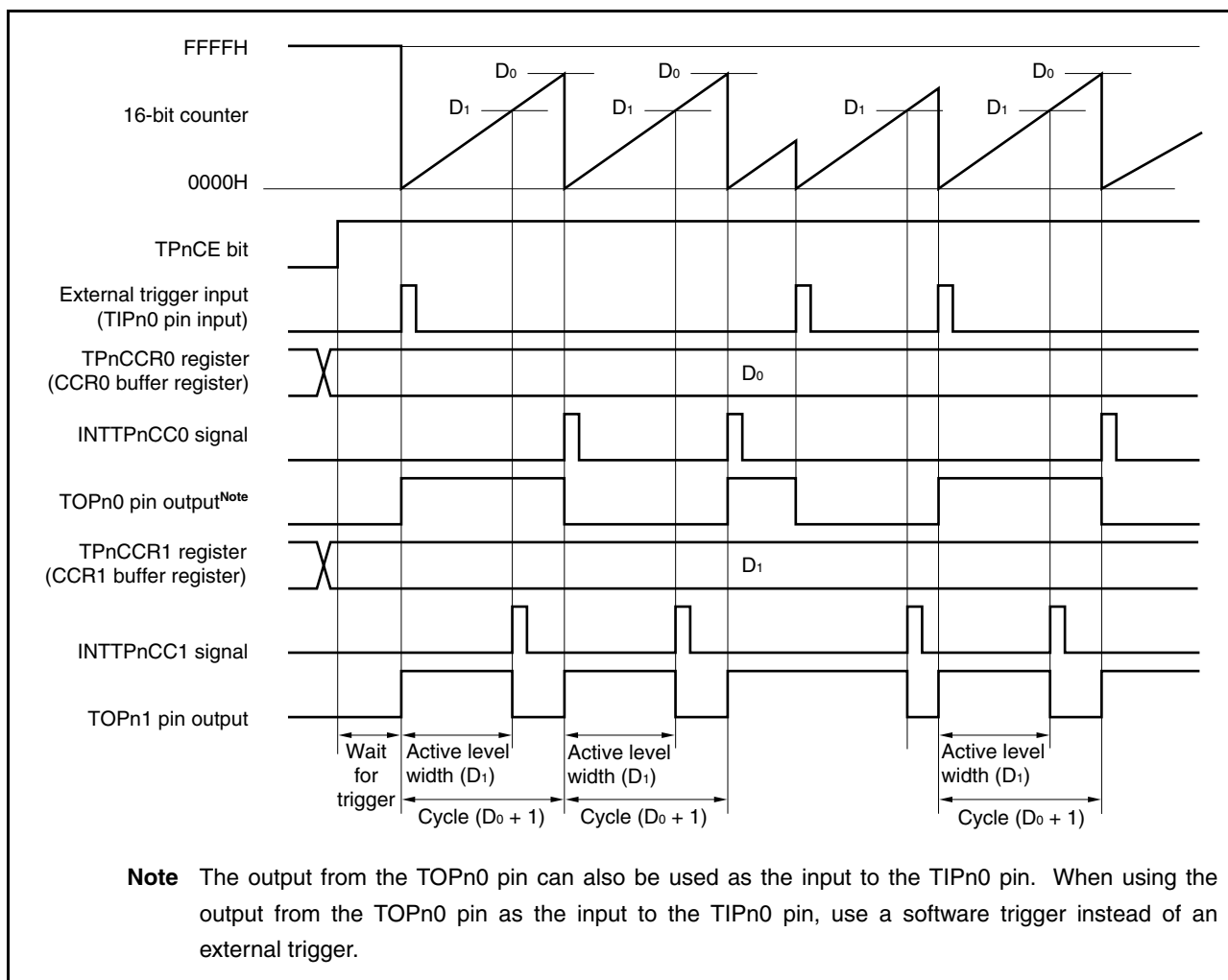


Figure 7-27. Basic Timing of Operations in External Trigger Pulse Output Mode



When the TPnCE bit is set to 1, TMPn waits for a trigger. When the trigger is generated, the 16-bit counter is cleared from FFFFH to 0000H, starts incrementing, and outputs a PWM waveform from the TOPn1 pin. If the trigger is generated again while the counter is incrementing, the counter is cleared to 0000H and restarts incrementing, and the output of the TOPn0 pin is inverted. (The TOPn1 pin outputs a high level signal regardless of the status (high/low) when a trigger occurs.)

The active level width, cycle, and duty factor of the PWM waveform can be calculated as follows.

$$\text{Active level width} = (\text{Set value of TPnCCR1 register}) \times \text{Count clock cycle}$$

$$\text{Cycle} = (\text{Set value of TPnCCR0 register} + 1) \times \text{Count clock cycle}$$

$$\text{Duty factor} = (\text{Set value of TPnCCR1 register}) / (\text{Set value of TPnCCR0 register} + 1)$$

The INTTPnCC0 compare match interrupt request signal is generated when the 16-bit counter increments next time after its value matches the value of the CCR0 buffer register, and the 16-bit counter is cleared to 0000H. The INTTPnCC1 compare match interrupt request signal is generated when the value of the 16-bit counter matches the value of the CCR1 buffer register.

Either the valid edge of the external trigger input signal or setting the software trigger (TPnCTL1.TPnEST bit) to 1 is used as the trigger.

Figure 7-28. Register Settings in External Trigger Pulse Output Mode (1/2)

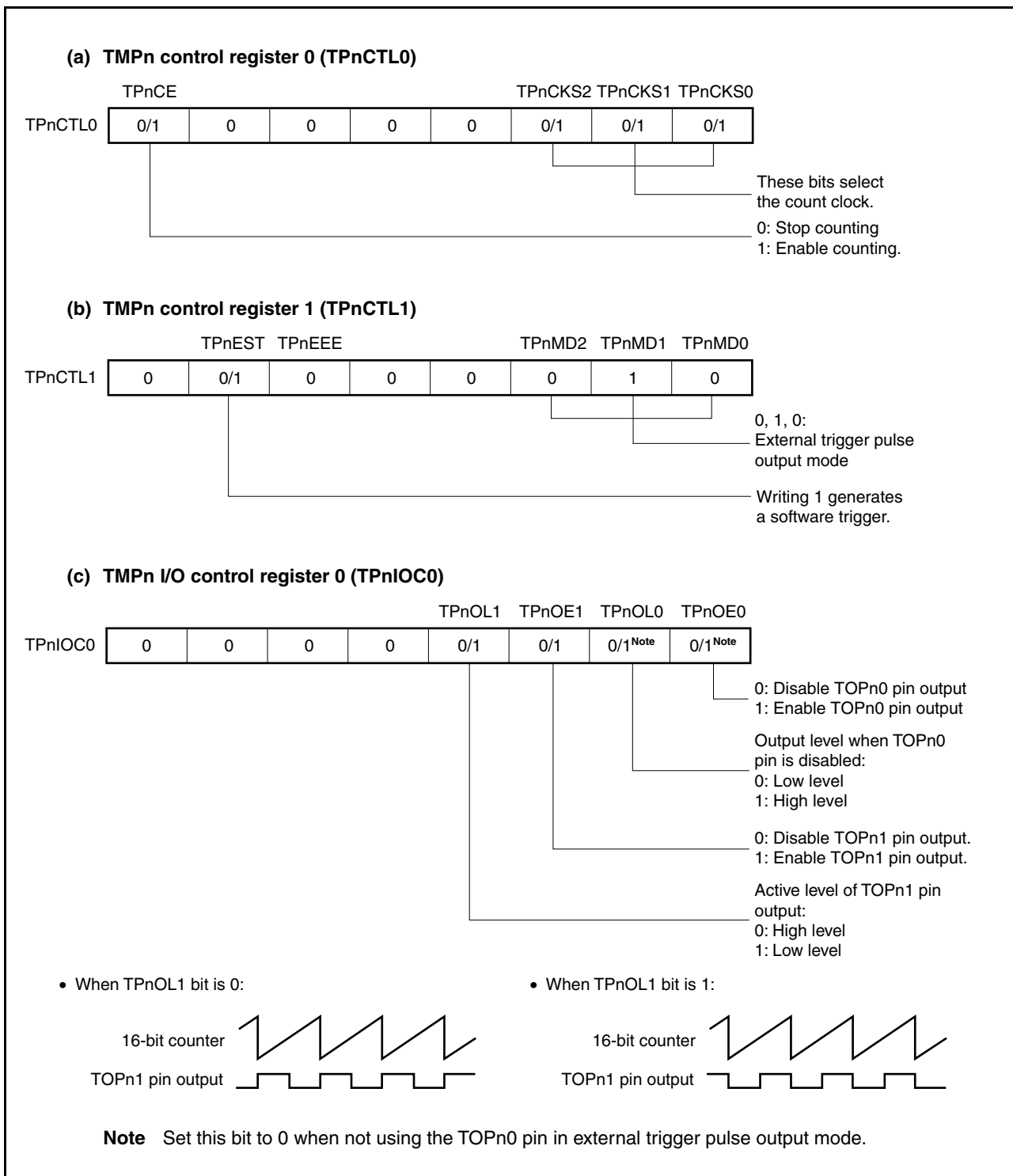
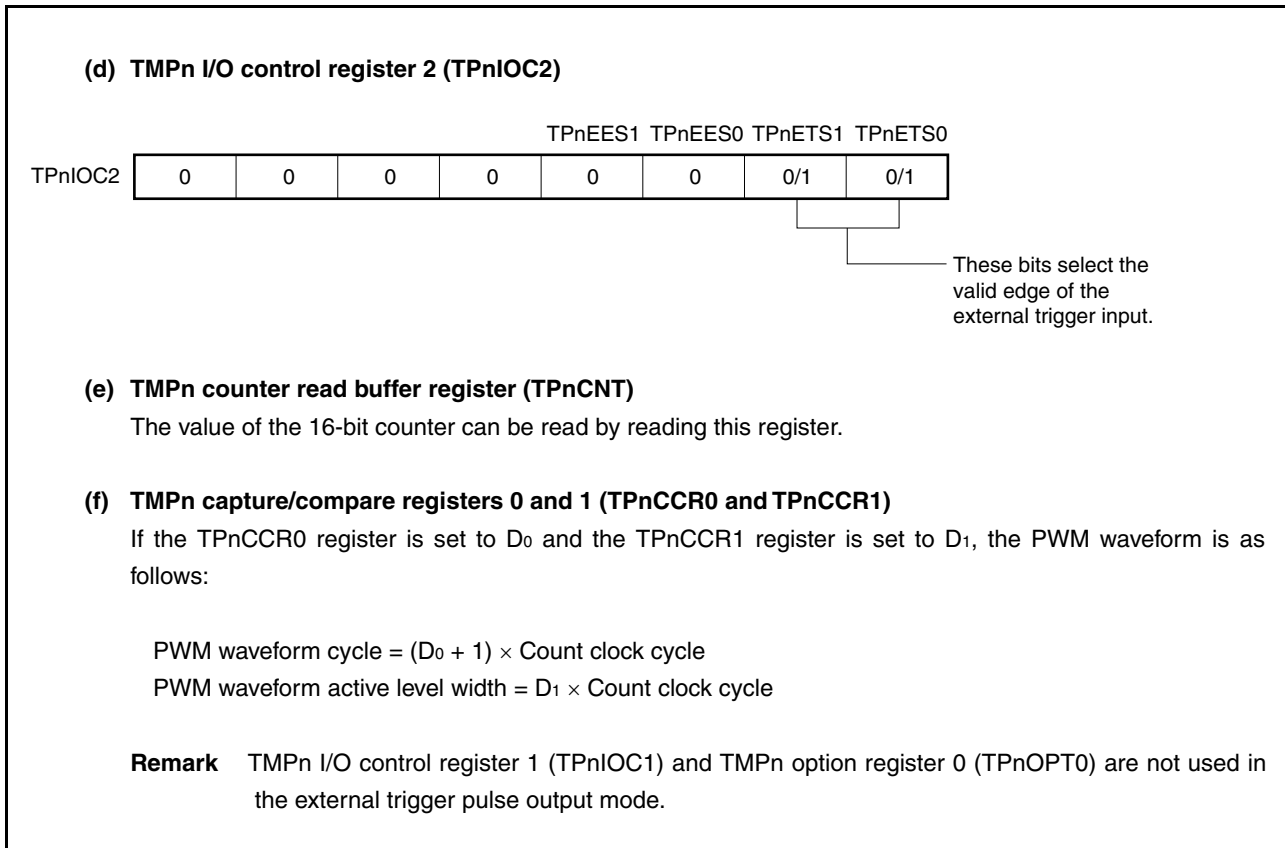


Figure 7-28. Register Settings in External Trigger Pulse Output Mode (2/2)



(1) Operations in external trigger pulse output mode

Figure 7-29. Timing and Processing of Operations in External Trigger Pulse Output Mode (1/2)

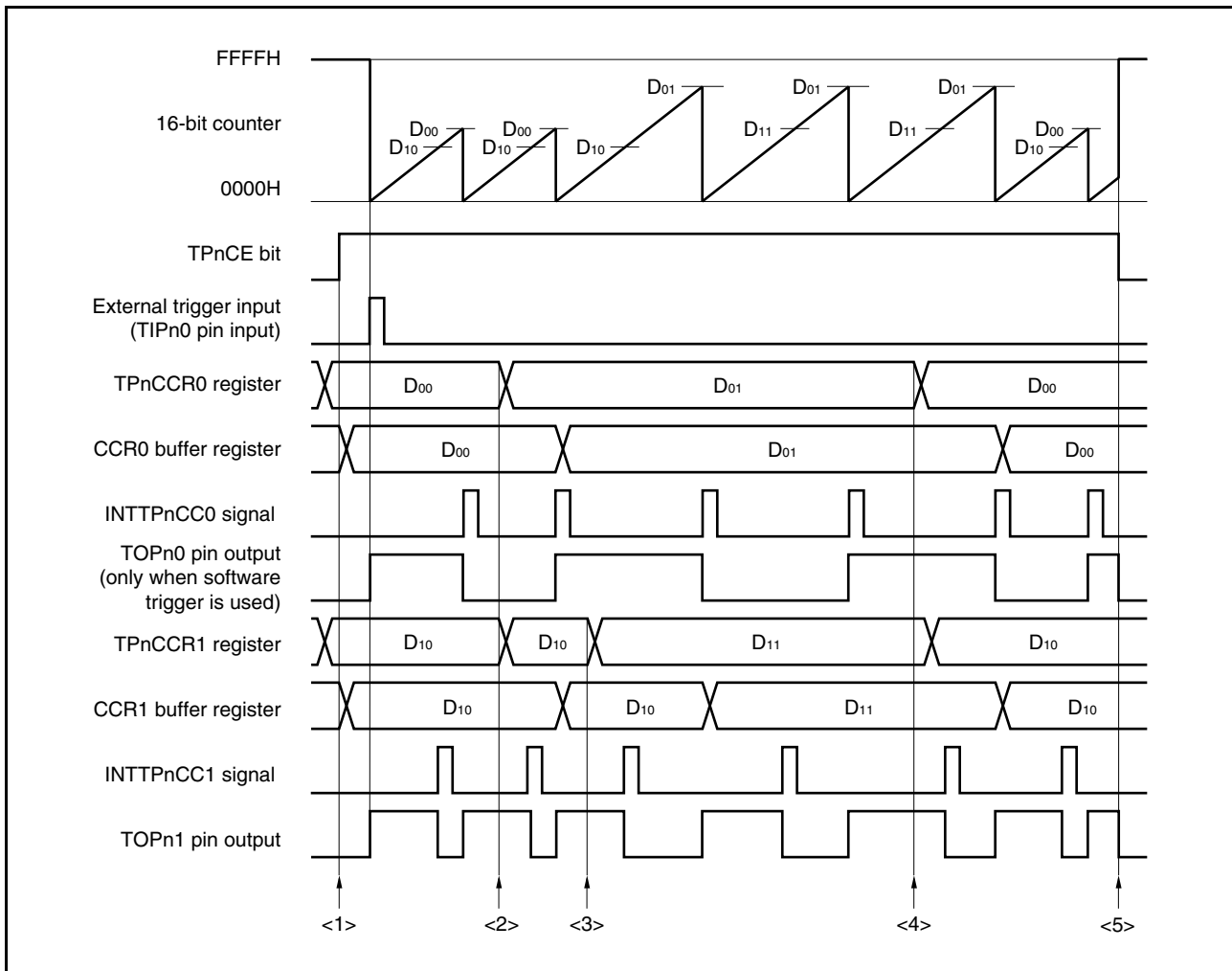
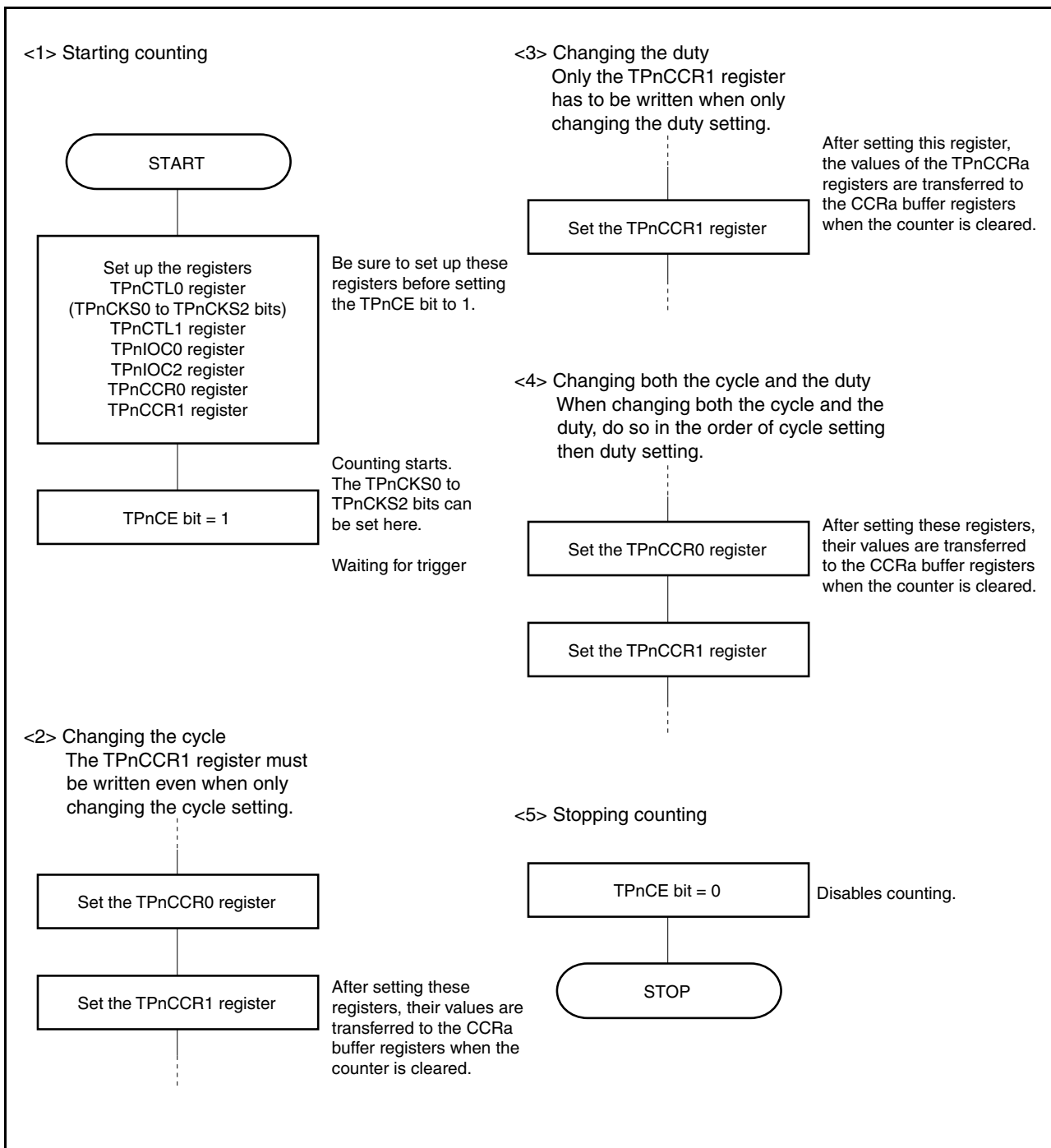


Figure 7-29. Timing and Processing of Operations in External Trigger Pulse Output Mode (2/2)



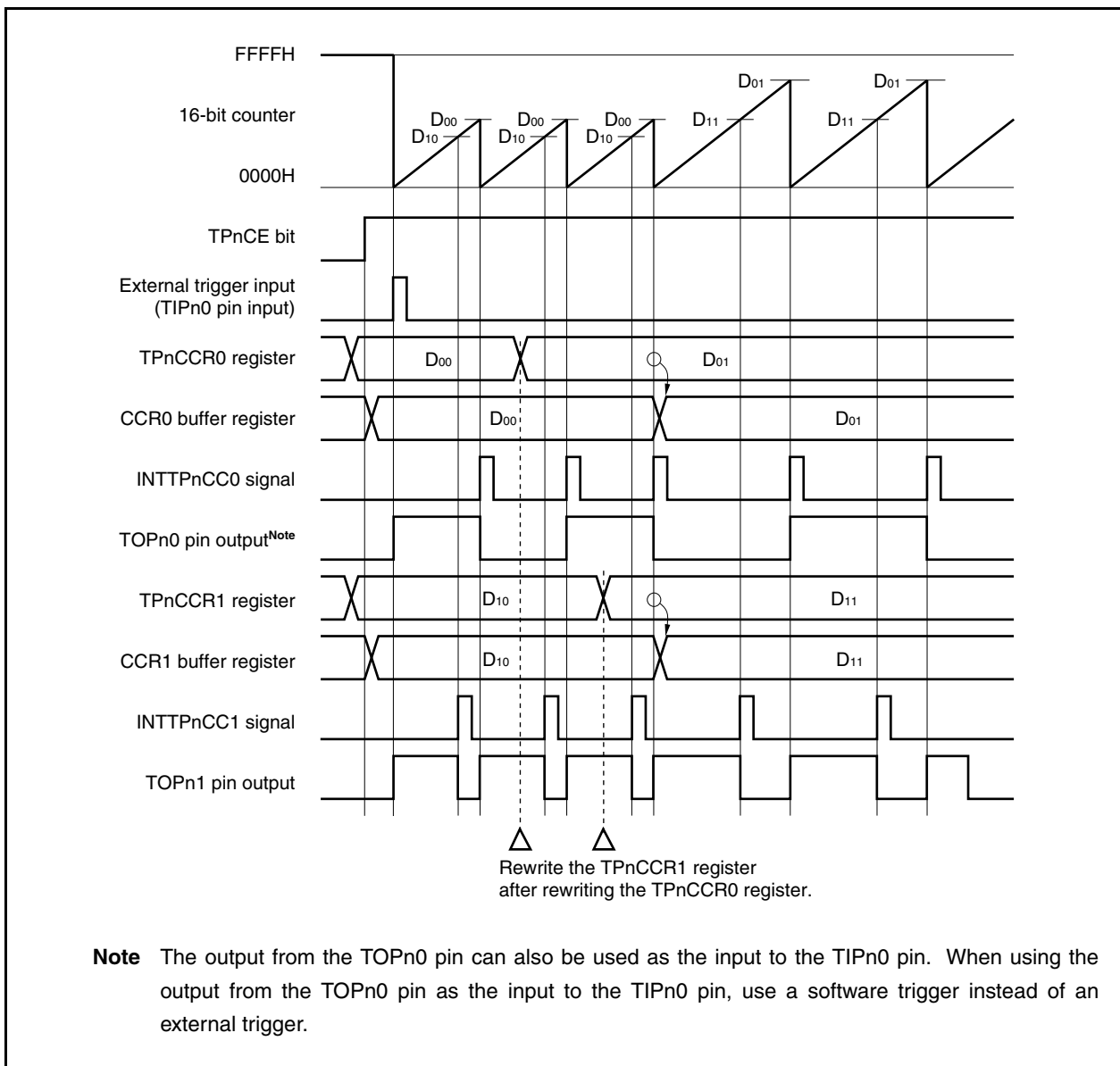
(2) Using external trigger pulse output mode

How to change the PWM waveform in the external trigger pulse output mode is described below.

(a) Changing the PWM waveform while the counter is incrementing

To change the PWM waveform while the counter is incrementing, write to the TPnCCR1 register after changing the waveform setting. When rewriting the TPnCCRa register after writing to the TPnCCR1 register, do so after the INTTPnCC0 signal has been detected.

Figure 7-30. Changing PWM Waveform While Counter Is Incrementing



In order to transfer data from the TPnCCRa register to the CCRa buffer register, the TPnCCR1 register must be written.

After data is written to the TPnCCR1 register, the value written to the TPnCCRa register is transferred to the CCRa buffer register in synchronization with clearing of the 16-bit counter, and is used as the value to be compared with the 16-bit counter value.

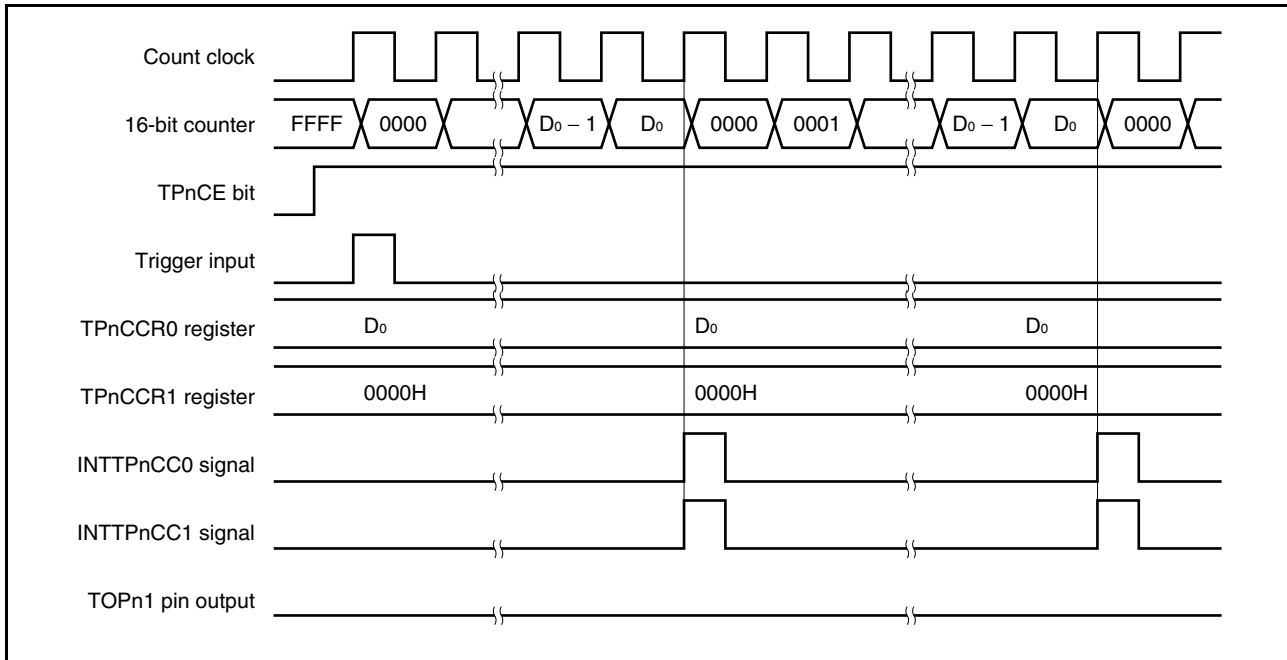
- <1> To change both the cycle and active level width of the PWM waveform, first set the cycle to the TPnCCR0 register and then set the active level width to the TPnCCR1 register.
- <2> To change only the cycle of the PWM waveform, first set the cycle to the TPnCCR0 register, and then write the same value to the TPnCCR1 register (that is, the same value as the value already specified for the TPnCCR1 register).
- <3> To change only the active level width (duty factor) of the PWM waveform, only the TPnCCR1 register has to be set.

Caution To rewrite the TPnCCR0 or TPnCCR1 register after writing the TPnCCR1 register, do so after the INTTPnCC0 signal has been generated; otherwise, the value of the CCRa buffer register may become undefined because the timing of transferring data from the TPnCCRa register to the CCRa buffer register conflicts with writing the TPnCCRa register.

(b) Outputting a 0% or 100% PWM waveform

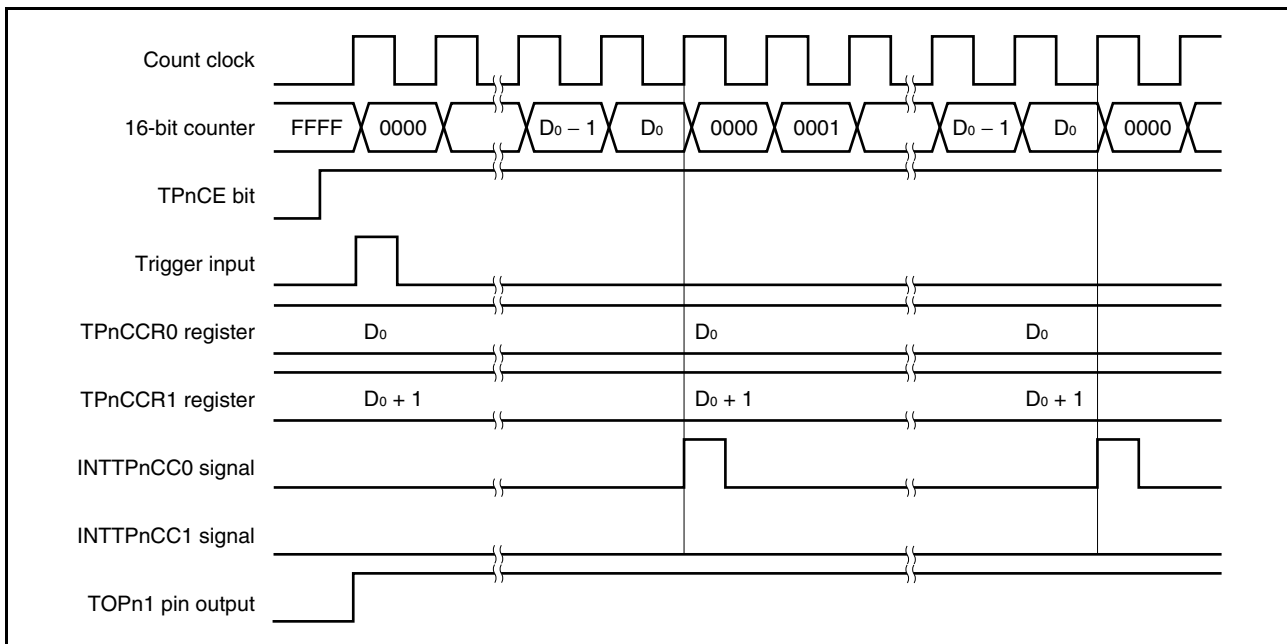
To output a 0% waveform, clear the TPnCCR1 register to 0000H. If the set value of the TPnCCR0 register is FFFFH, the INTTPnCC1 signal is generated periodically.

Figure 7-31. Outputting 0% PWM Waveform



To output a 100% waveform, set the value of TPnCCR0 register + 1 to the TPnCCR1 register. If the value of the TPnCCR0 register is FFFFH, a 100% waveform cannot be output.

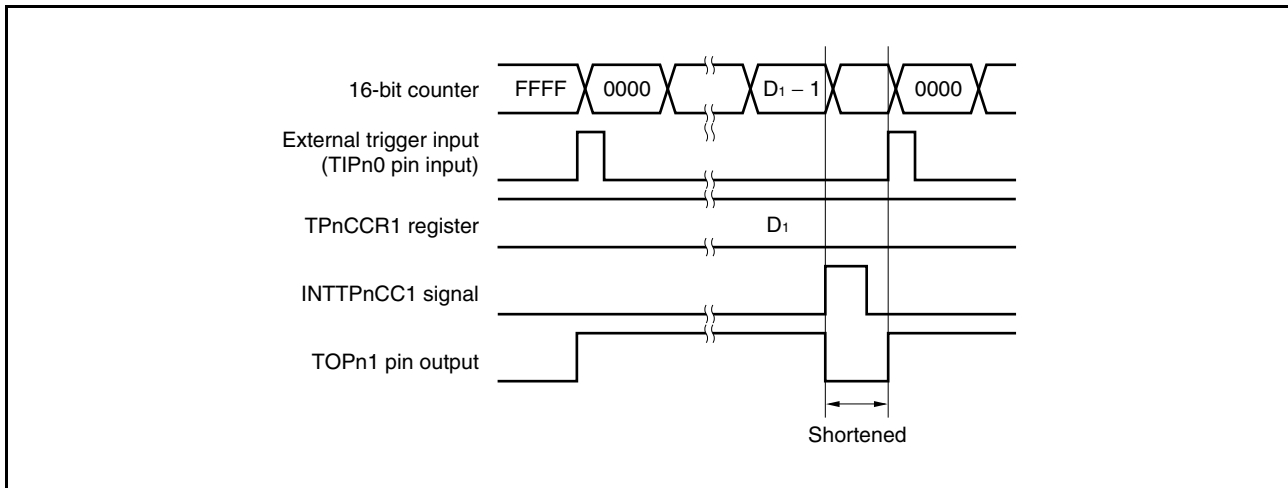
Figure 7-32. Outputting 100% PWM Waveform



(c) Detection of trigger immediately before or after INTTPnCC1 generation

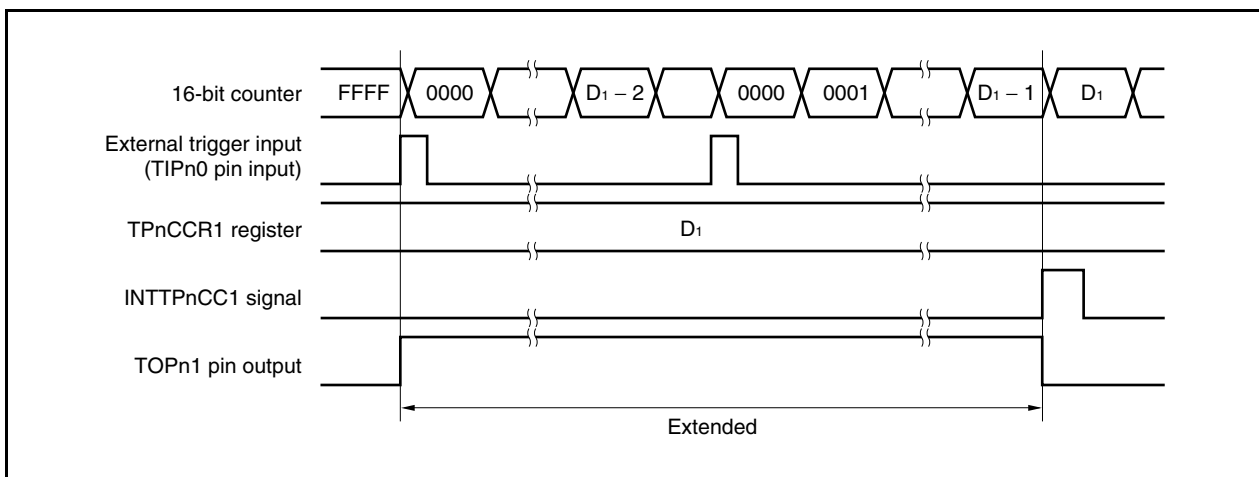
If the trigger is detected immediately after the INTTPnCC1 signal is generated, the 16-bit counter is immediately cleared to 0000H, the output signal of the TOPn1 pin is set to the active level, and the counter continues incrementing. Consequently, the inactive period of the PWM waveform is shortened.

Figure 7-33. Detection of Trigger Immediately After INTTPnCC1 Signal Was Generated



If the trigger is detected immediately before the INTTPnCC1 signal is generated, the INTTPnCC1 signal is not generated, and the 16-bit counter is cleared to 0000H and continues incrementing. The output signal of the TOPn1 pin remains active. Consequently, the active period of the PWM waveform is extended.

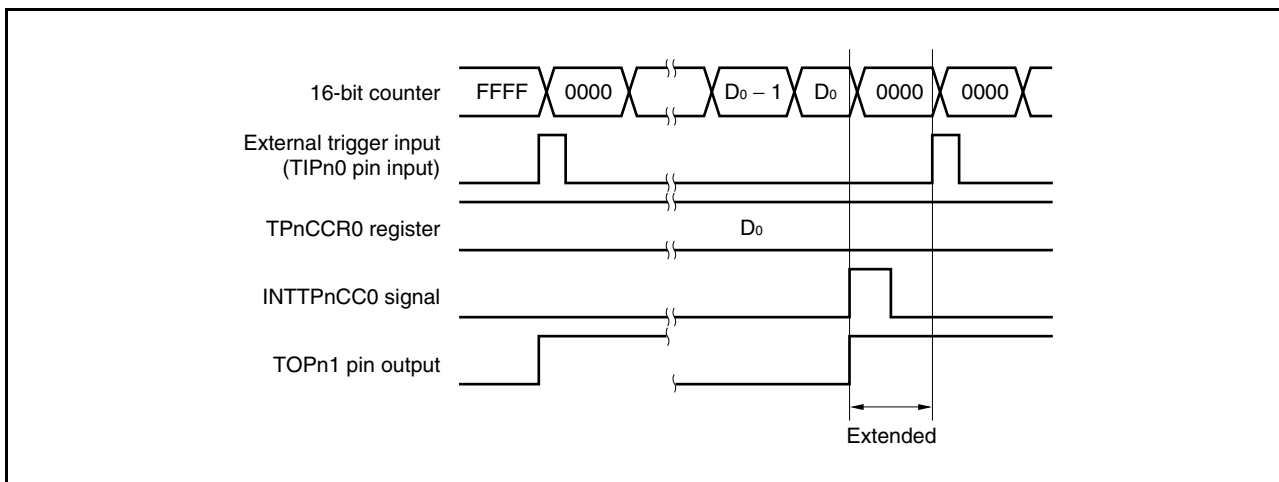
Figure 7-34. Detection of Trigger Immediately Before INTTPnCC1 Signal Is Generated



(d) Detection of trigger immediately before or after INTTPnCC0 generation

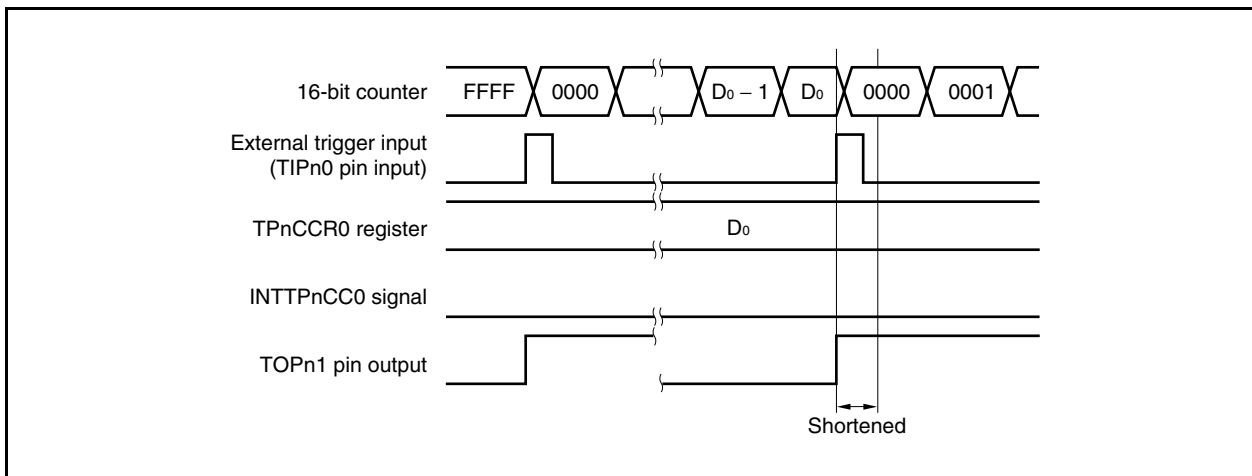
If the trigger is detected immediately after the INTTPnCC0 signal is generated, the 16-bit counter is cleared to 0000H and continues incrementing. Therefore, the active period of the TOPn1 pin is extended by the amount of time between the generation of the INTTPnCC0 signal and the detection of the trigger.

Figure 7-35. Detection of Trigger Immediately After INTTPnCC0 Signal Was Generated



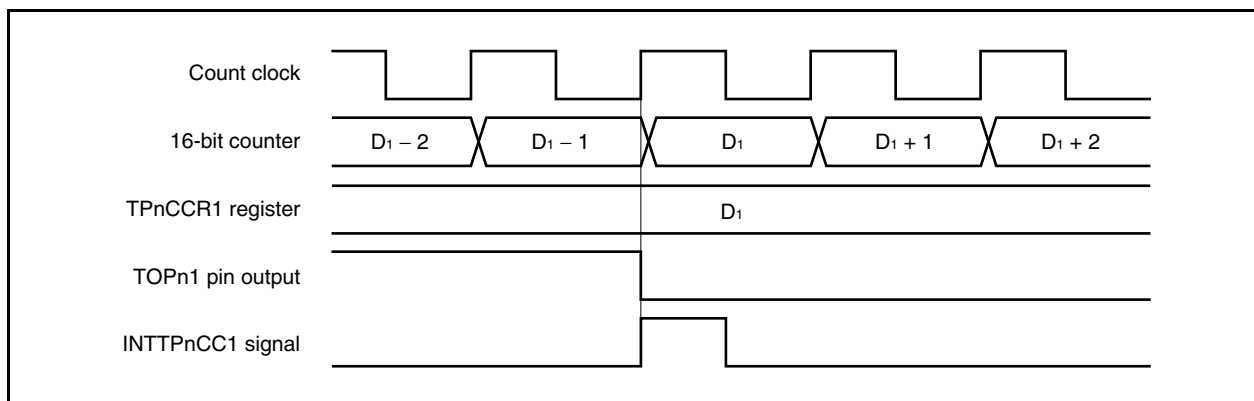
If the trigger is detected immediately before the INTTPnCC0 signal is generated, the INTTPnCC0 signal is not generated. The 16-bit counter is cleared to 0000H, the TOPn1 pin is set to the active level, and the counter continues incrementing. Consequently, the inactive period of the PWM waveform is shortened.

Figure 7-36. Detection of Trigger Immediately Before INTTPnCC0 Signal Is Generated



(e) Timing of generating the compare match interrupt request signal (INTTPnCC1)

In the external trigger pulse output mode, the INTTPnCC1 signal is generated when the value of the 16-bit counter matches the value of the TPnCCR1 register.

Figure 7-37. Timing of Generating Compare Match Interrupt Signal (INTTPnCC1)

7.4.4 One-shot pulse output mode (TPnMD2 to TPnMD0 bits = 011)

In the one-shot pulse output mode, when the TPnCTL0.TPnCE bit is set to 1, TMPn waits for a trigger, which is the valid edge of the external trigger input, and starts incrementing when this trigger is detected. TMPn then outputs a one-shot pulse from the TOPn1 pin.

Instead of the external trigger, a software trigger can also be generated to output the pulse. When the software trigger is used, the TOPn0 pin outputs the active level signal while the 16-bit counter is incrementing, and the inactive level signal when the counter is stopped (waiting for a trigger).

- Remarks 1.** For how to set the TIPn0, TOPn0, and TOPn1 pins, see **Table 7-2 Pins Used by TMPn** and **Table 4-15 Settings When Pins Are Used for Alternate Functions**.
- 2.** For how to enable the INTTPnCC0 and INTTPnCC1 interrupt signals, see **CHAPTER 22 INTERRUPT SERVCING/EXCEPTION PROCESSING FUNCTION**.

Figure 7-38. Configuration of TMPn in One-Shot Pulse Output Mode

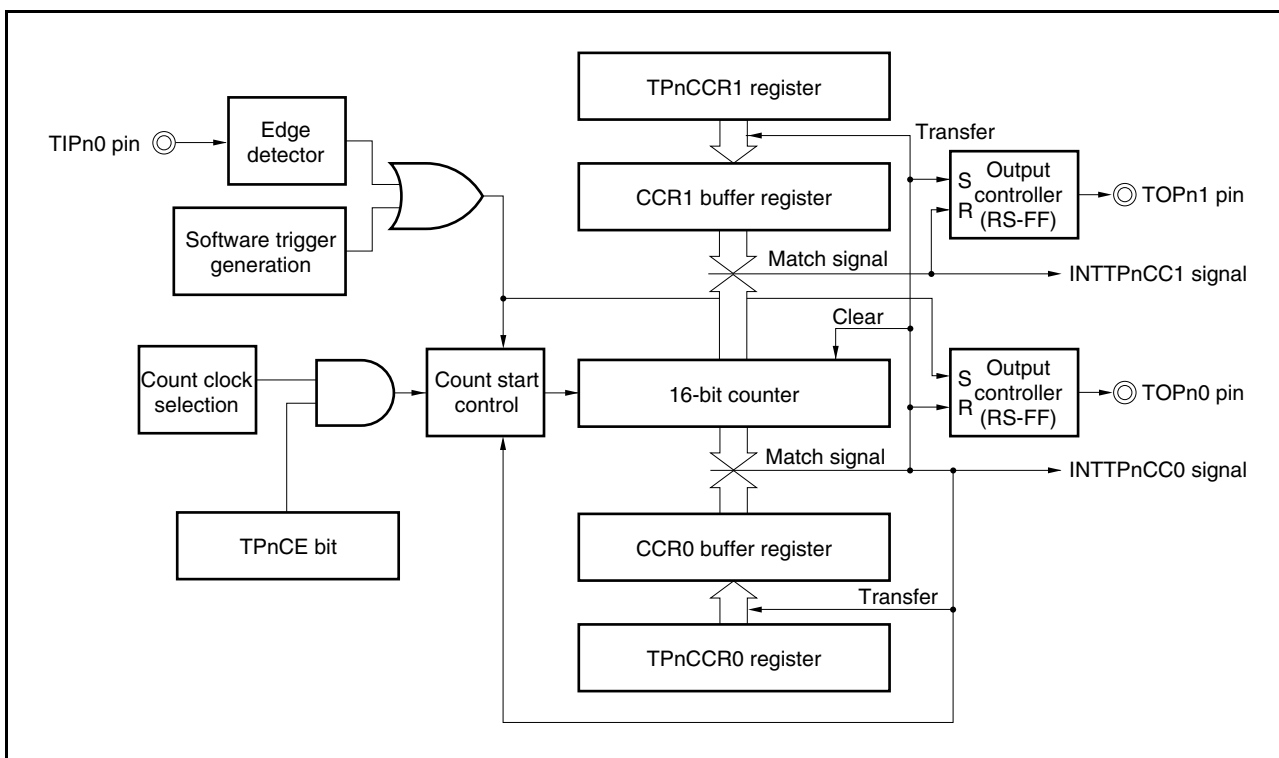
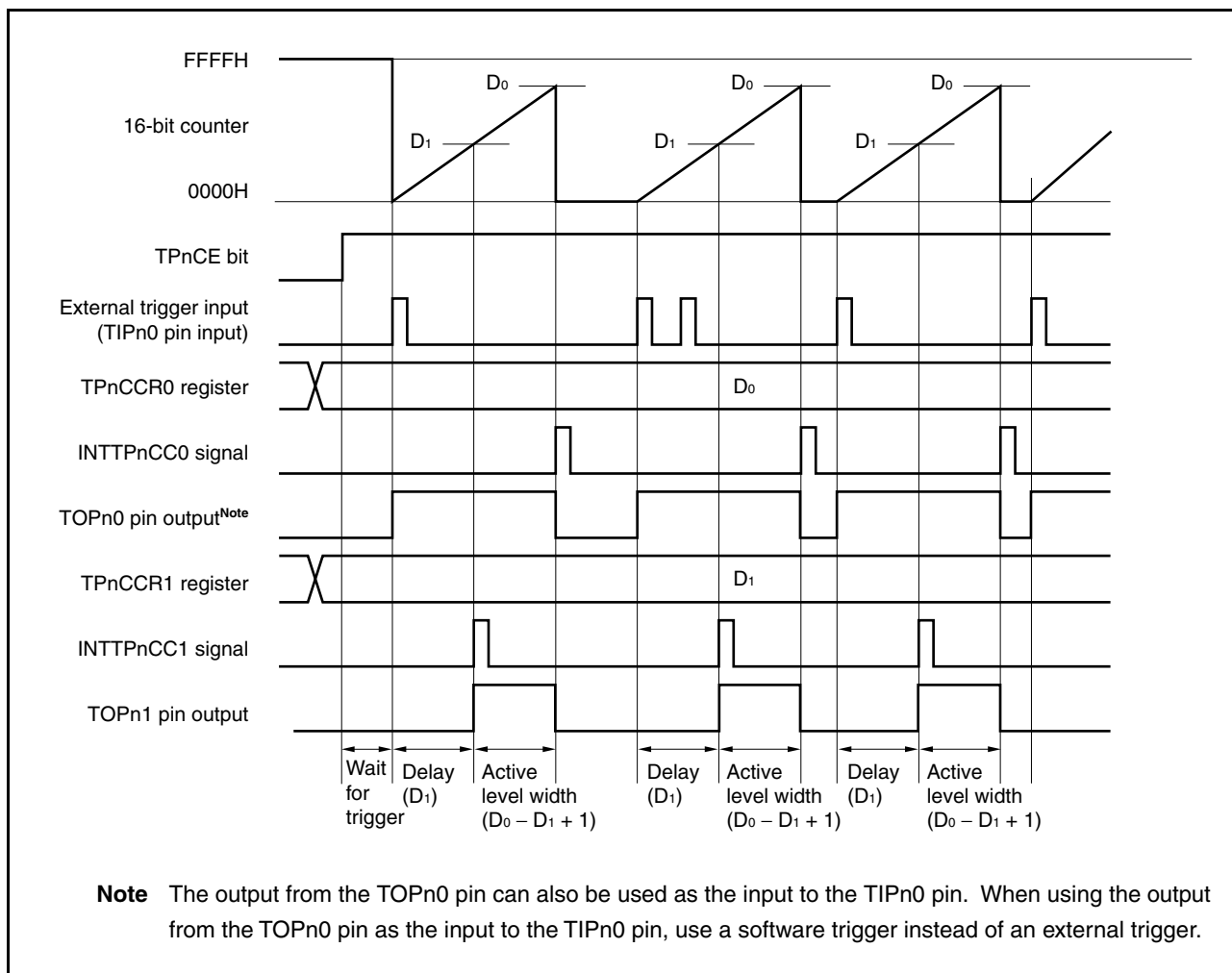


Figure 7-39. Basic Timing of Operations in One-Shot Pulse Output Mode



When the TPnCE bit is set to 1, TMPn waits for a trigger. When the trigger is generated, the 16-bit counter is cleared from FFFFH to 0000H, starts incrementing, and outputs a one-shot pulse from the TOPn1 pin. After the one-shot pulse is output, the 16-bit counter is set to 0000H, stops incrementing, and waits for a trigger. If a trigger is generated again while the one-shot pulse is being output, it is ignored.

The output delay period and active level width of the one-shot pulse can be calculated as follows:

$$\text{Output delay period} = (\text{Set value of TPnCCR1 register}) \times \text{Count clock cycle}$$

$$\text{Active level width} = (\text{Set value of TPnCCR0 register} - \text{Set value of TPnCCR1 register} + 1) \times \text{Count clock cycle}$$

The INTTPnCC0 compare match interrupt request signal is generated when the 16-bit counter increments next time after its value matches the value of the CCR0 buffer register. The INTTPnCC1 compare match interrupt request signal is generated when the value of the 16-bit counter matches the value of the CCR1 buffer register.

Either the valid edge of the external trigger input signal or setting the software trigger (TPnCTL1.TPnEST bit) to 1 is used as the trigger.

Figure 7-40. Register Settings in One-Shot Pulse Output Mode (1/2)

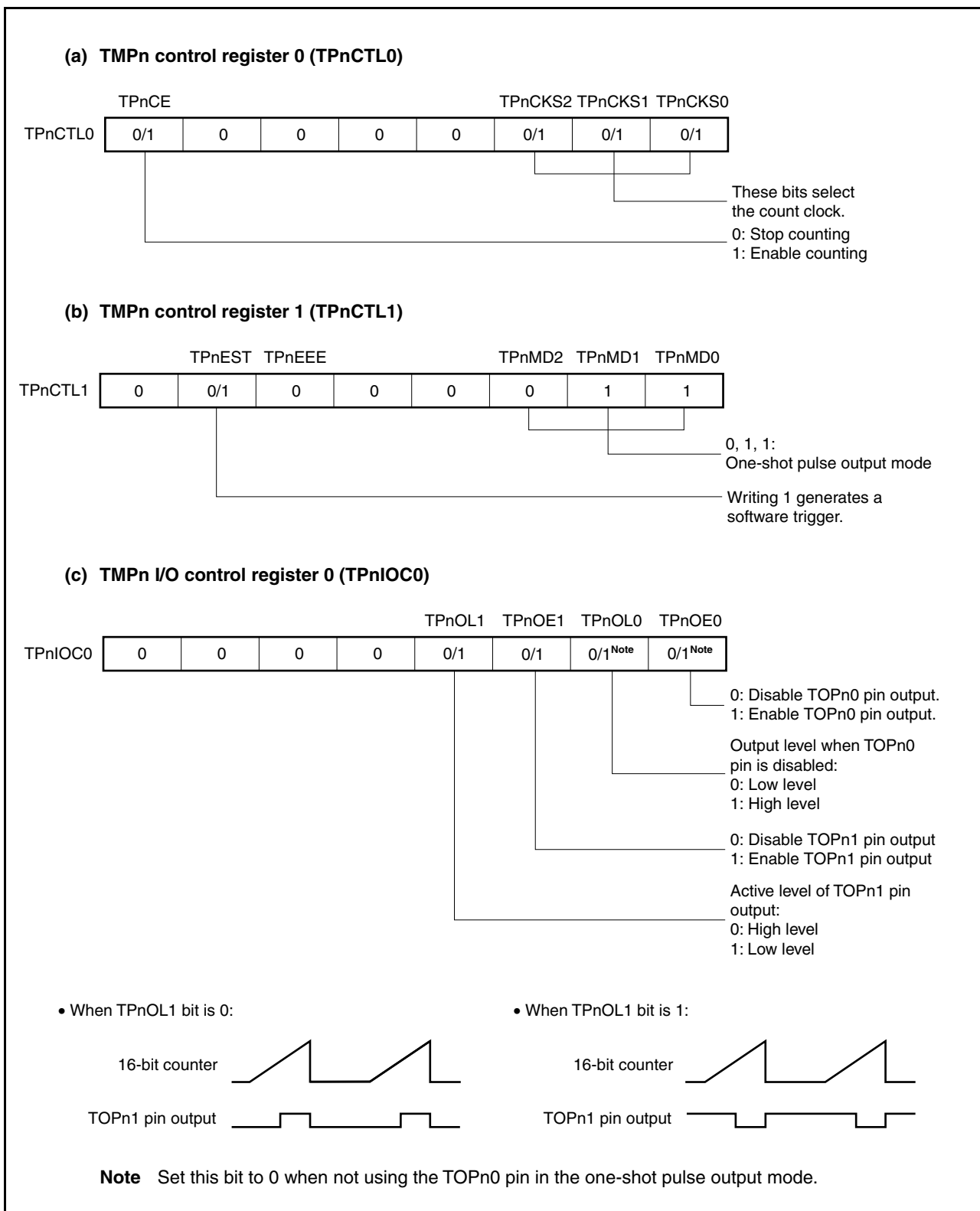
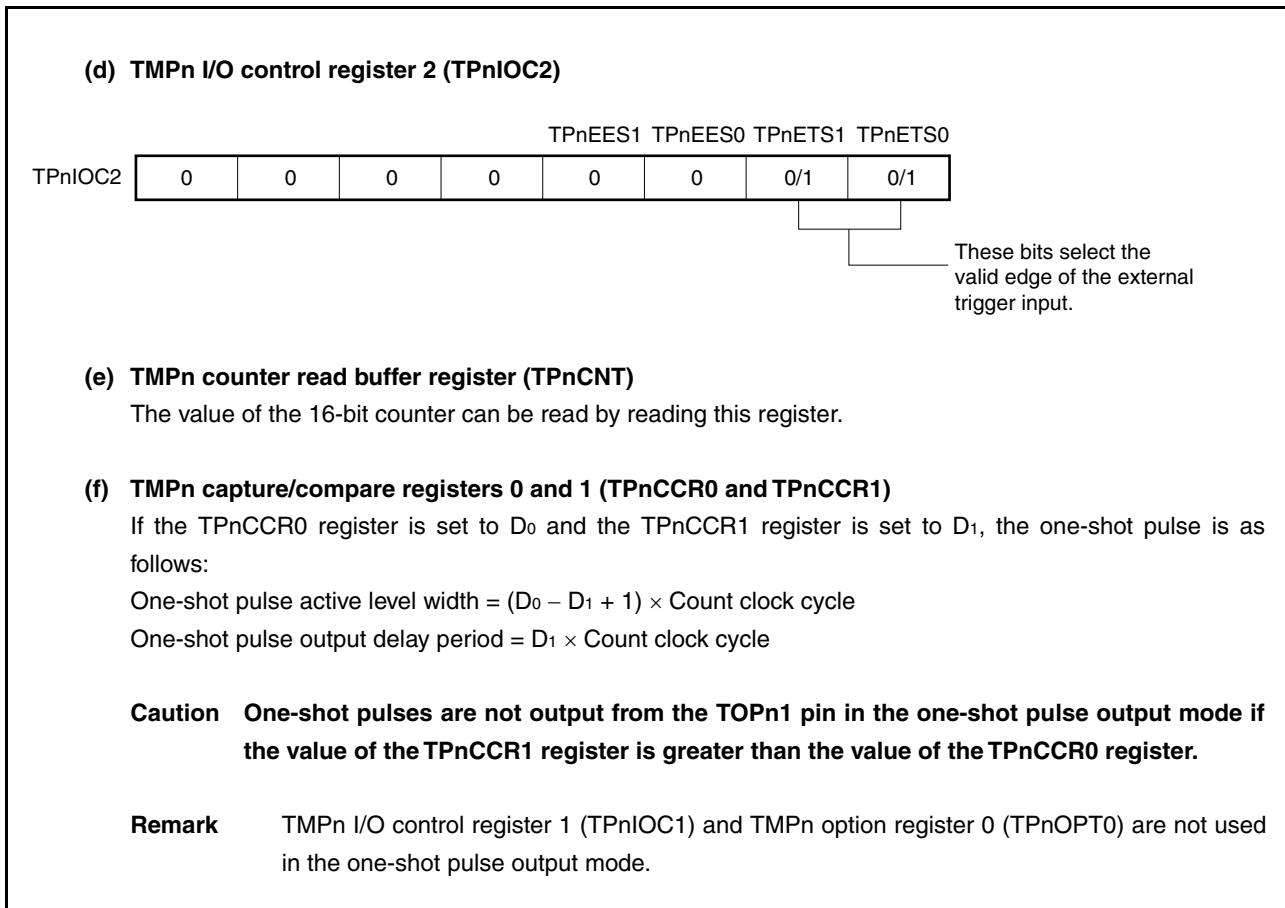
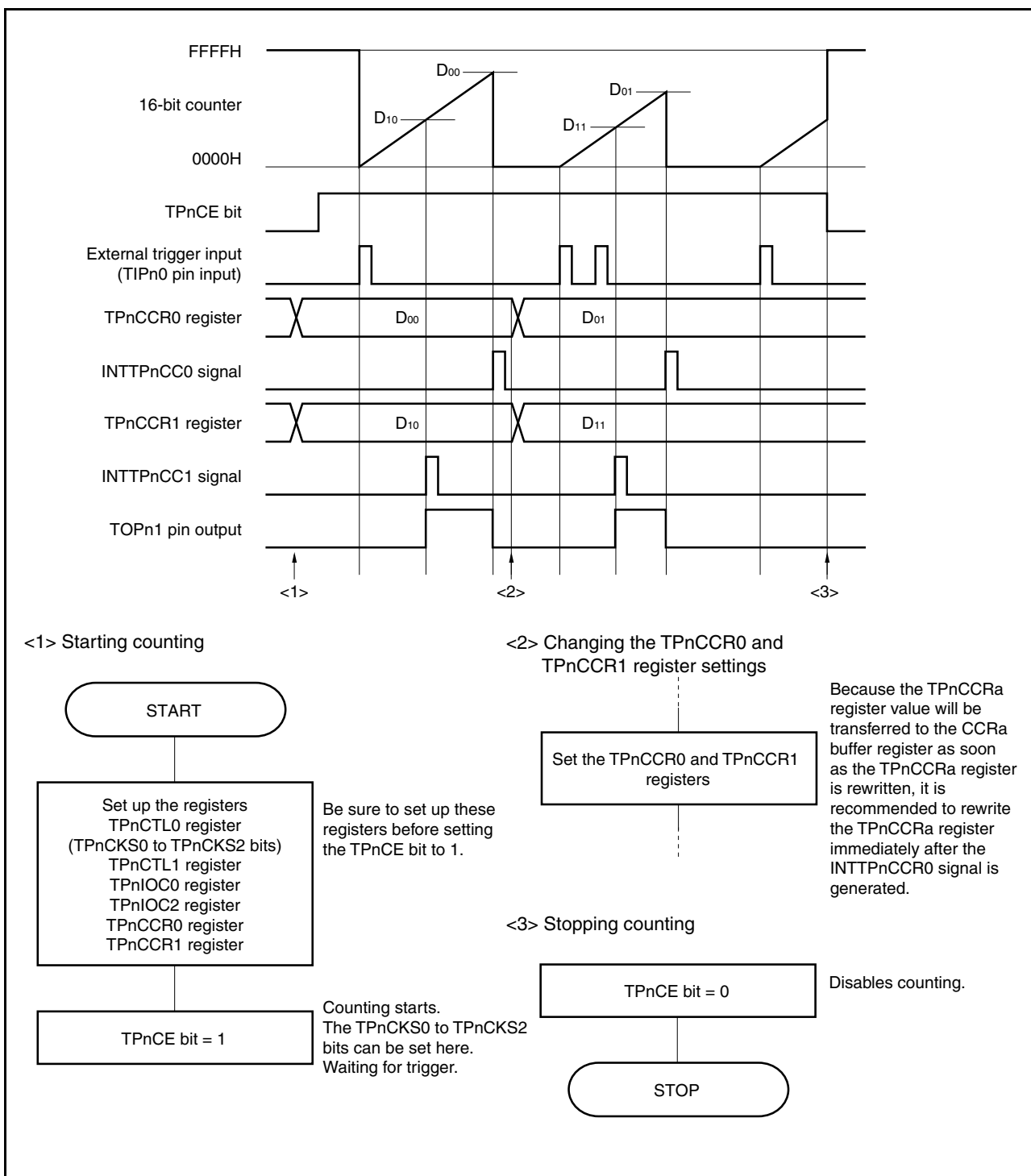


Figure 7-40. Register Settings in One-Shot Pulse Output Mode (2/2)



(1) Operations in one-shot pulse output mode

Figure 7-41. Timing and Processing of Operations in One-Shot Pulse Output Mode



(2) Using one-shot pulse mode**(a) Rewriting the TPnCCRa register**

When rewriting the value of the TPnCCRa register to a smaller value, stop counting first and then change the set value.

When changing the value of the TPnCCR0 register from D_{00} to D_{01} and the value of the TPnCCR1 register from D_{10} to D_{11} , if the registers are rewritten under any of the following conditions, a one-shot pulse will not be output as expected.

Condition 1 When rewriting the TPnCCR0 register, if:

$D_{00} > D_{01}$ or,

$D_{00} < 16\text{-bit counter value} < D_{01}$

In the case of condition 1, the 16-bit counter will not be cleared and will overflow in the cycle in which the new value is being written. The counter will be cleared for the first time at the newly written value (D_{01}).

Condition 2 When rewriting the TPnCCR1 register, if:

$D_{10} > D_{11}$ or,

$D_{10} < 16\text{-bit counter value} < D_{11}$

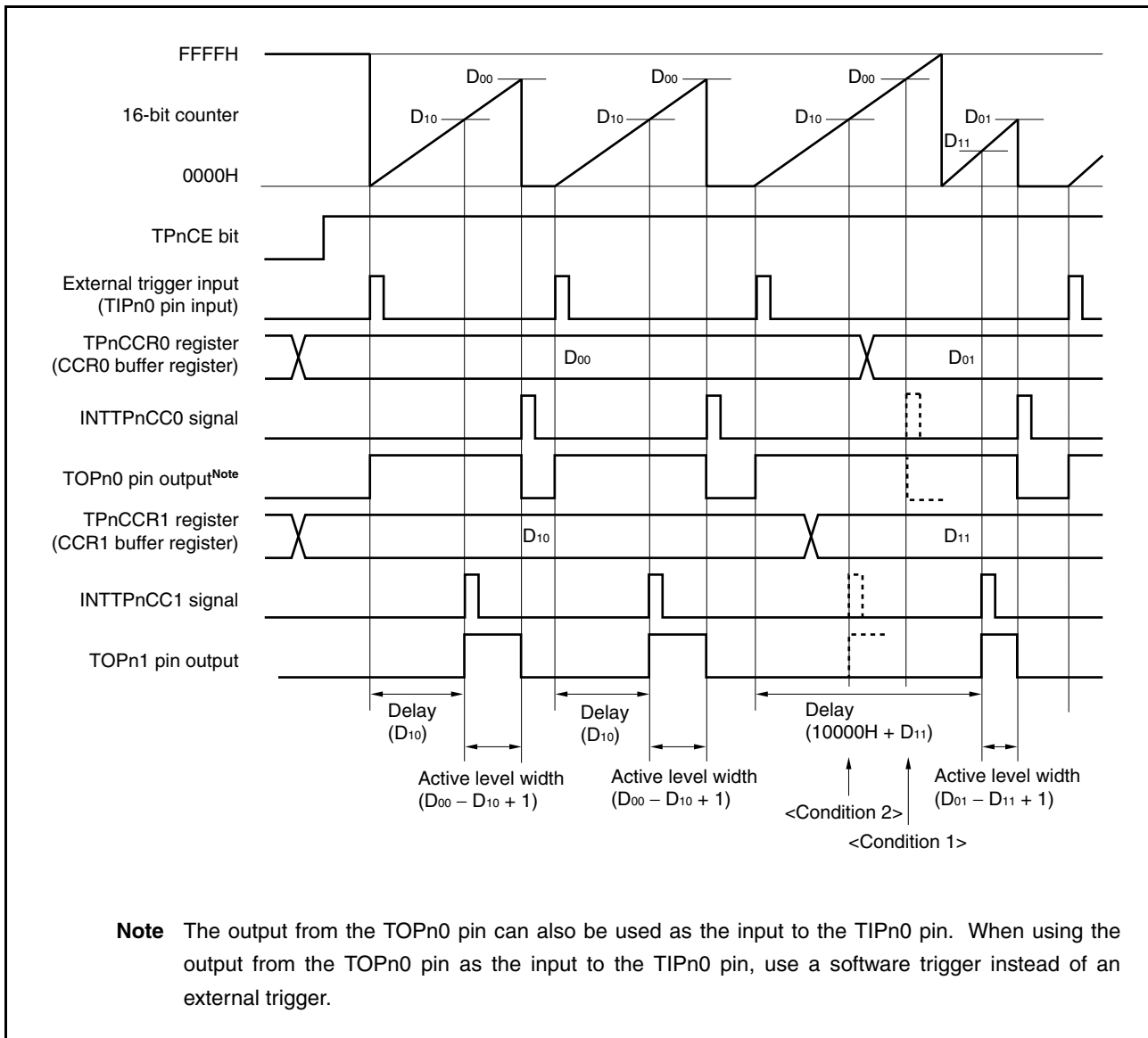
In the case of condition 2, the TOPn1 pin output cannot be inverted to the active level in the cycle in which the new value is being written.

An example of what happens when condition 1 and condition 2 are satisfied in the same cycle is shown in Figure 7-42.

The 16-bit counter increments up to FFFFH, overflows, and starts incrementing again from 0000H.

When the 16-bit counter value matches D_{11} , the INTTPnCC1 signal is generated and the TOPn1 pin output is set to the active level. Subsequently, when the 16-bit counter value matches D_{01} , the INTTPnCC0 signal is generated, the TOPn1 pin output is set to the inactive level, and the counter stops incrementing.

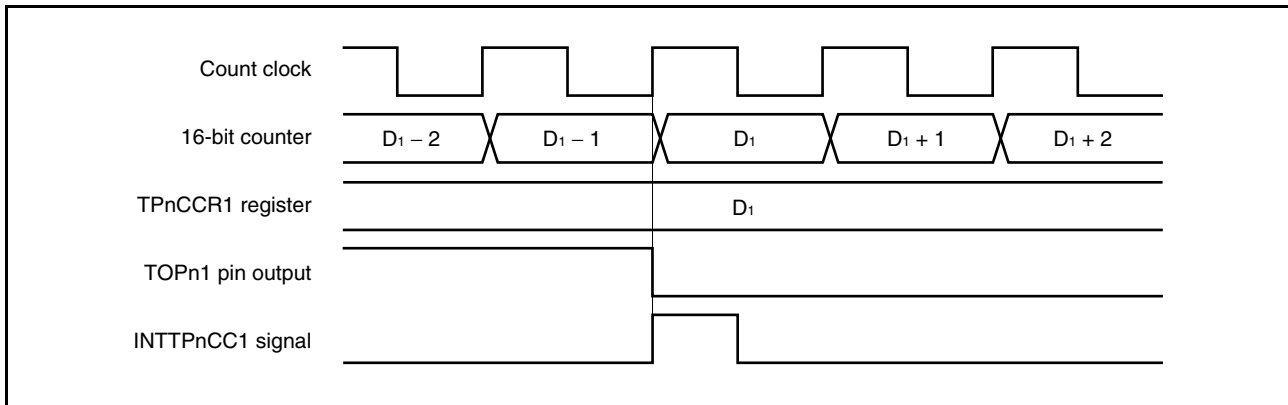
Figure 7-42. Rewriting TPnCCRa Register



(b) Timing of generating the compare match interrupt request signal (INTTPnCC1)

In the one-shot pulse output mode, the INTTPnCC1 signal is generated when the value of the 16-bit counter matches the value of the TPnCCR1 register.

Figure 7-43. Timing of Generating Compare Match Interrupt Signal (INTTPnCC1)



7.4.5 PWM output mode (TPnMD2 to TPnMD0 bits = 100)

In the PWM output mode, when the TPnCTL0.TPnCE bit is set to 1, TMPn outputs a PWM waveform from the TOPn1 pin.

A pulse that has one cycle of the PWM waveform as half its cycle can also be output from the TOPn0 pin.

- Remarks 1.** For how to set the TIPn0, TOPn0, and TOPn1 pins, see **Table 7-2 Pins Used by TMPn** and **Table 4-15 Settings When Pins Are Used for Alternate Functions**.
- 2.** For how to enable the INTTPnCC0 and INTTPnCC1 interrupt signals, see **CHAPTER 22 INTERRUPT SERVICING/EXCEPTION PROCESSING FUNCTION**.

Figure 7-44. Configuration of TMPn in PWM Output Mode

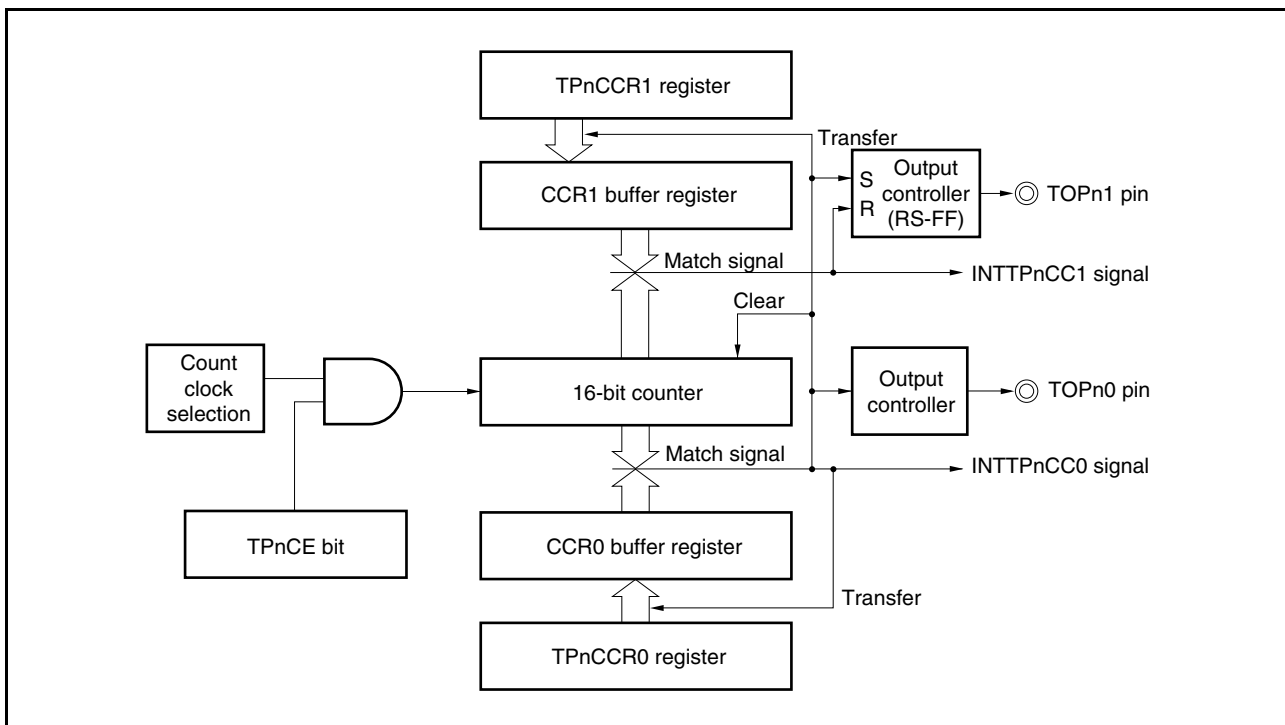
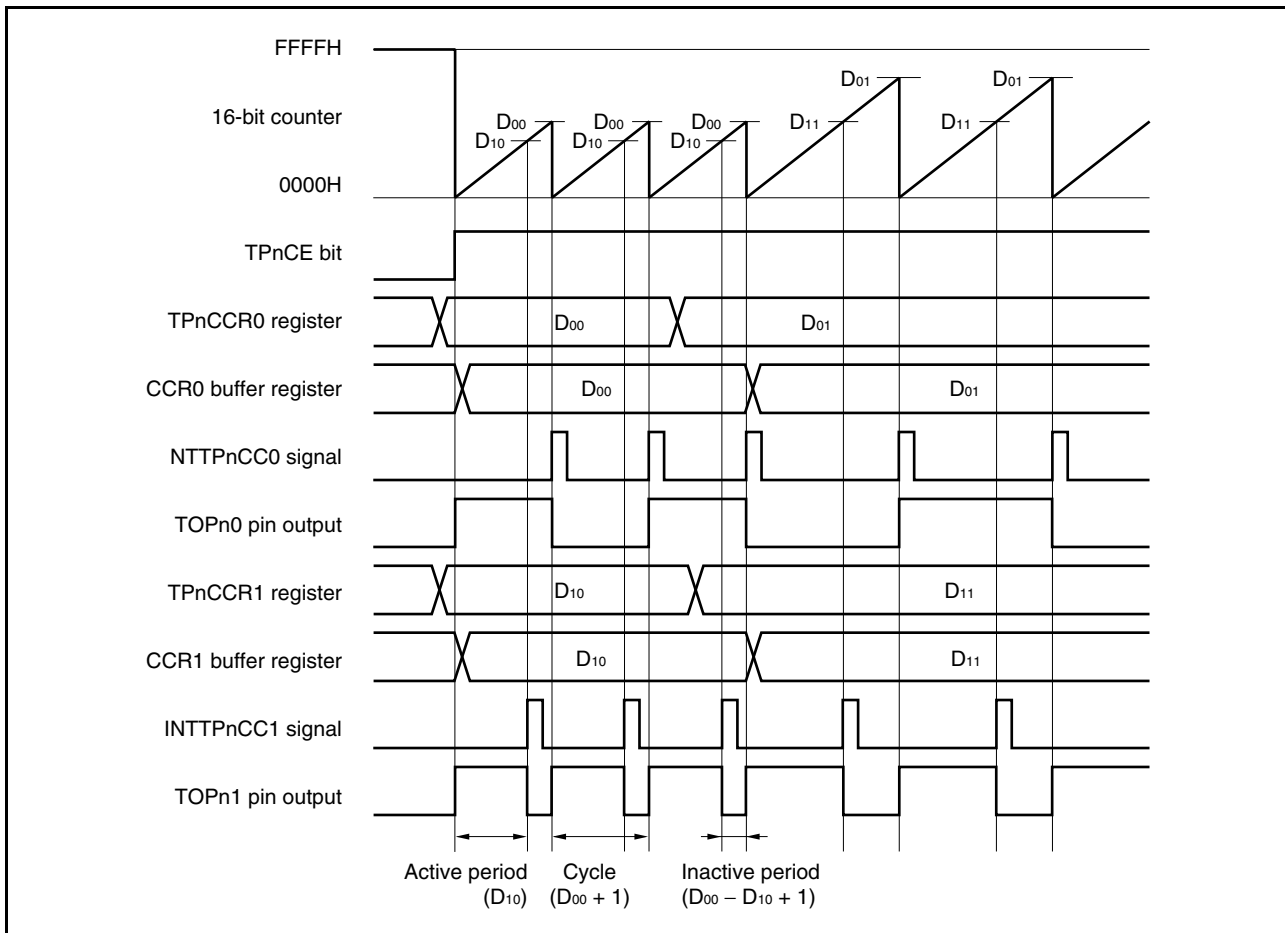


Figure 7-45. Basic Timing of Operations in PWM Output Mode



When the TPnCE bit is set to 1, the 16-bit counter is cleared from FFFFH to 0000H, starts incrementing, and outputs a PWM waveform from the TOPn1 pin.

The active level width, cycle, and duty factor of the PWM waveform can be calculated as follows:

$$\text{Active level width} = (\text{Set value of TPnCCR1 register}) \times \text{Count clock cycle}$$

$$\text{Cycle} = (\text{Set value of TPnCCR0 register} + 1) \times \text{Count clock cycle}$$

$$\text{Duty factor} = (\text{Set value of TPnCCR1 register}) / (\text{Set value of TPnCCR0 register} + 1)$$

The PWM waveform can be changed by rewriting the TPnCCRa register while the counter is incrementing. The newly written value is reflected when the value of the 16-bit counter matches the value of the CCR0 buffer register and the 16-bit counter is cleared to 0000H.

The INTTPnCC0 compare match interrupt request signal is generated when the 16-bit counter increments next time after its count value matches the value of the CCR0 buffer register, and the 16-bit counter is cleared to 0000H. The INTTPnCC1 compare match interrupt request signal is generated when the value of the 16-bit counter matches the value of the CCR1 buffer register.

Figure 7-46. Register Settings in PWM Output Mode (1/2)

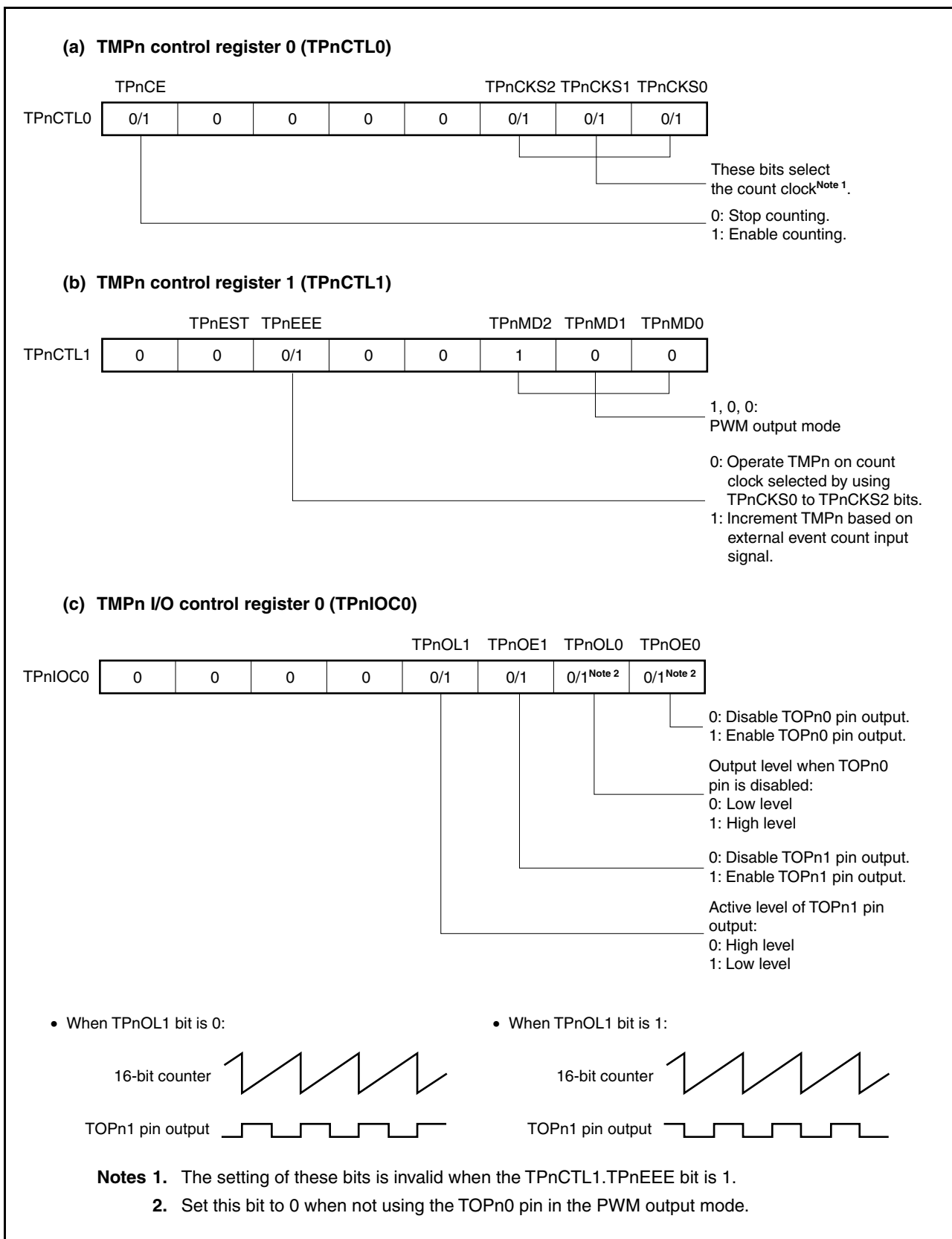
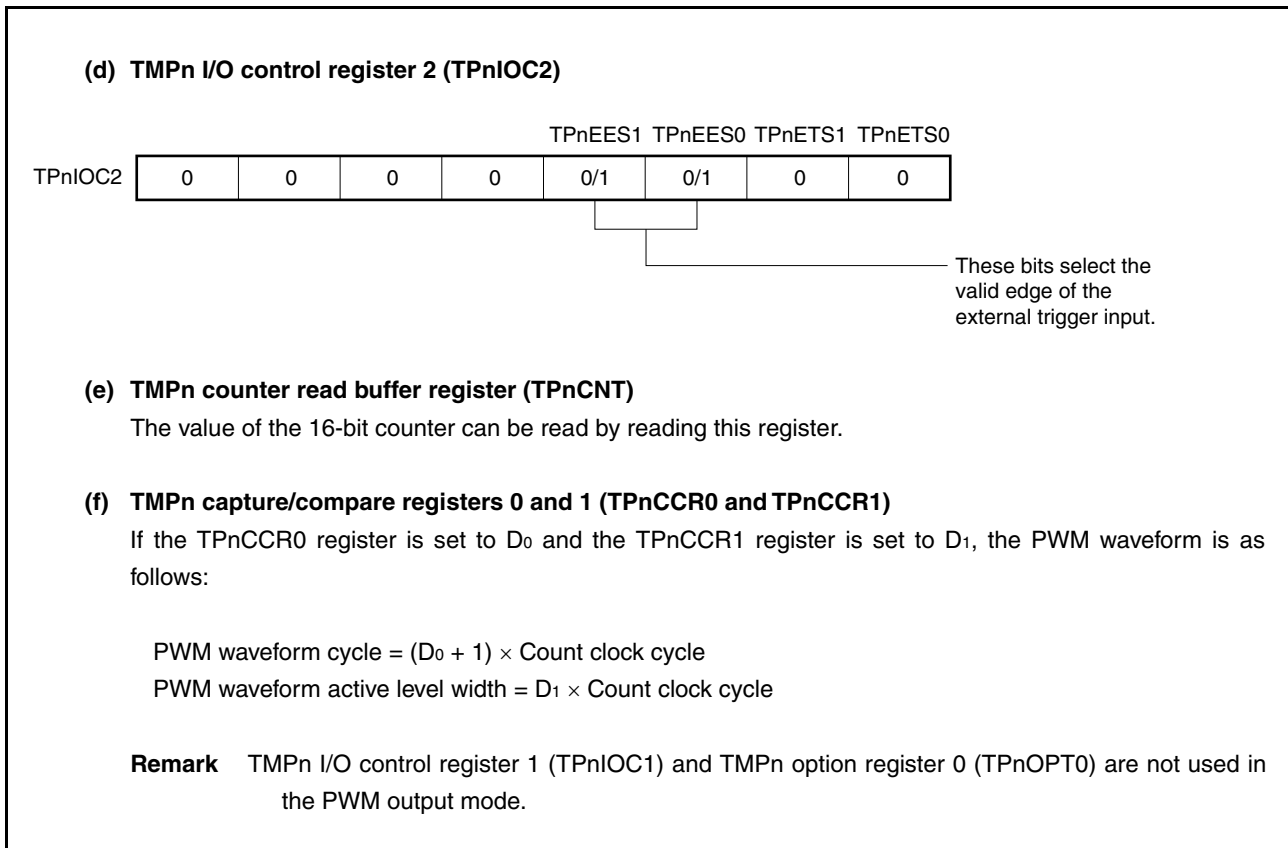


Figure 7-46. Register Settings in PWM Output Mode (2/2)



(1) Operations in PWM output mode

Figure 7-47. Timing and Processing of Operations in PWM Output Mode (1/2)

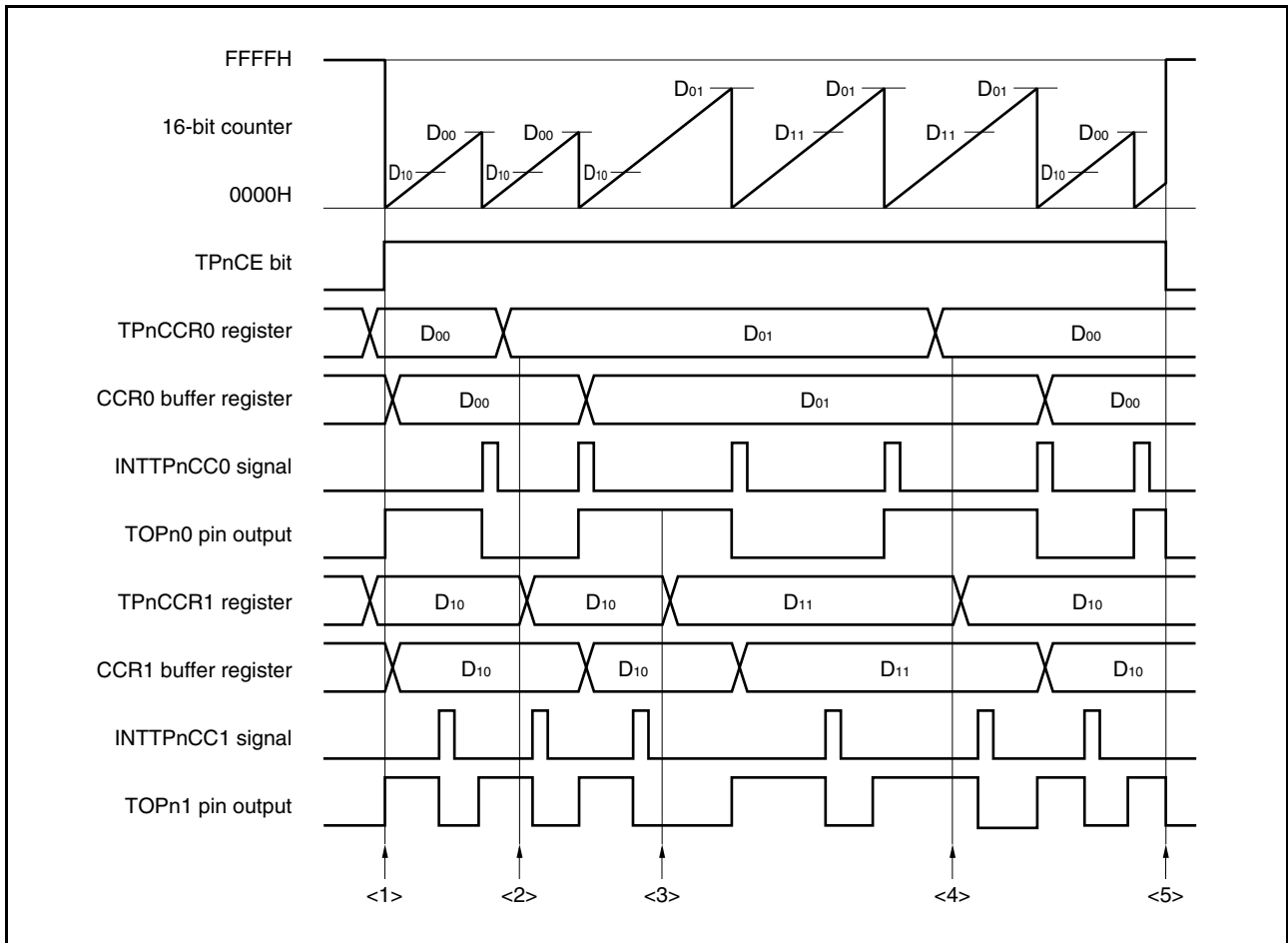
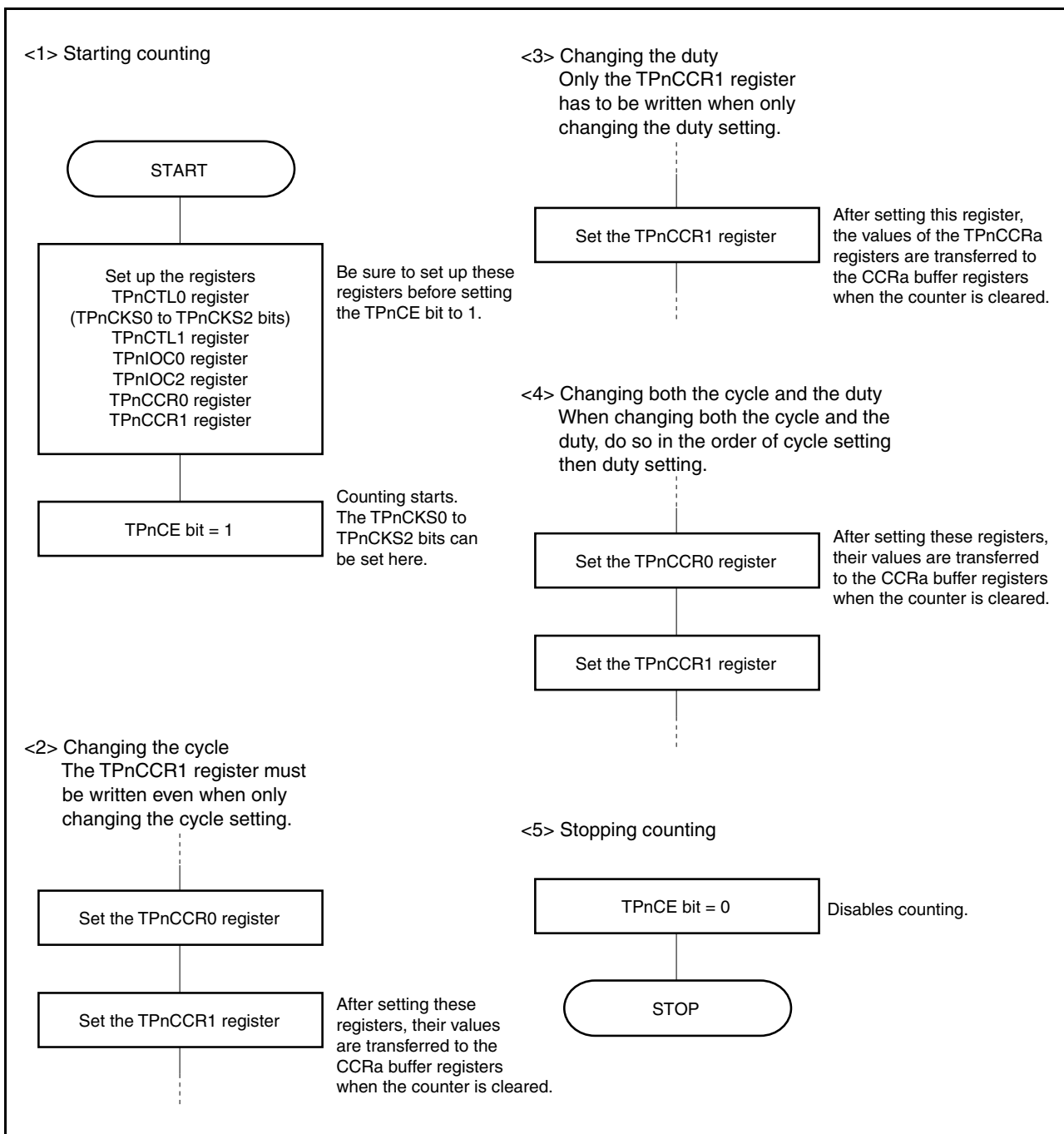


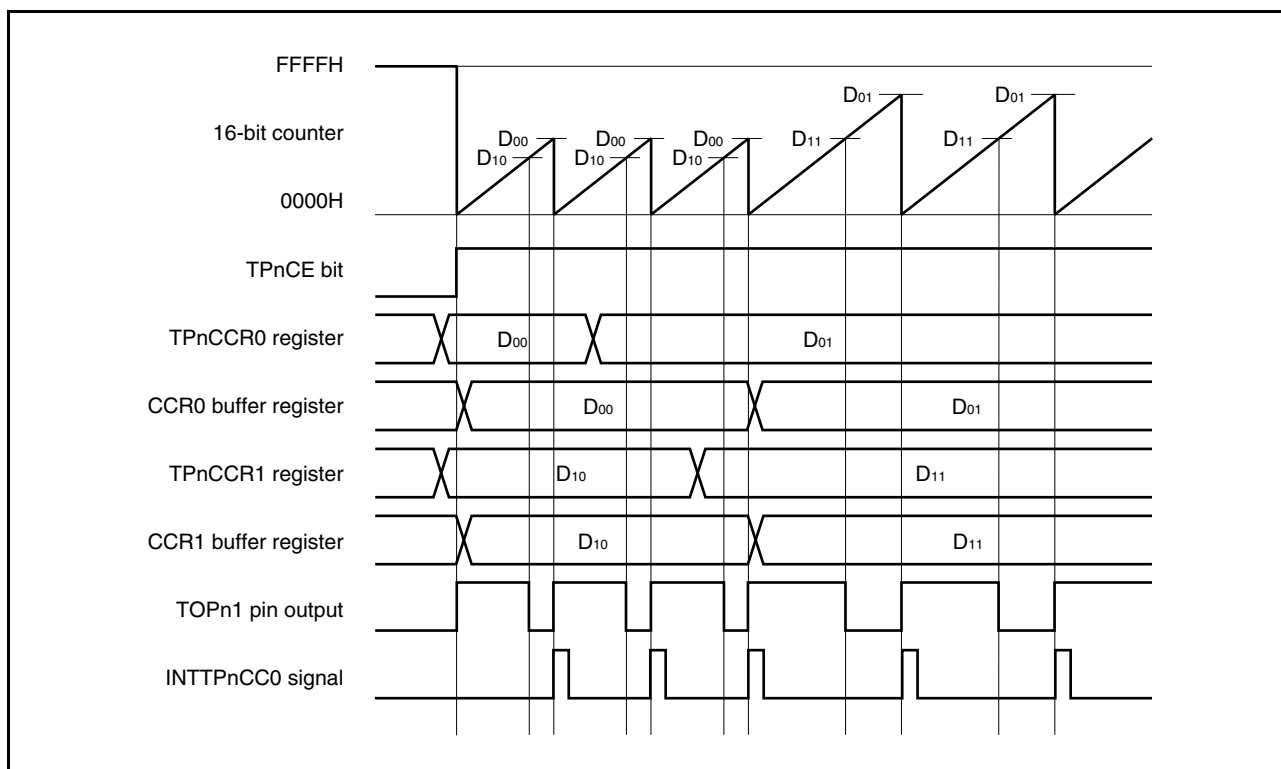
Figure 7-47. Timing and Processing of Operations in PWM Output Mode (2/2)



(2) Using PWM output mode**(a) Changing the PWM waveform while the counter is incrementing**

To change the PWM waveform while the counter is incrementing, write to the TPnCCR1 register after changing the waveform setting. When rewriting the TPnCCRa register after writing to the TPnCCR1 register, do so after the INTTPnCC0 signal has been detected.

Figure 7-48. Changing PWM Waveform While Counter Is Incrementing



In order to transfer data from the TPnCCRa register to the CCRa buffer register, the TPnCCR1 register must be written.

After data is written to the TPnCCR1 register, the value written to the TPnCCRa register is transferred to the CCRa buffer register in synchronization with clearing of the 16-bit counter, and is used as the value to be compared with the 16-bit counter value.

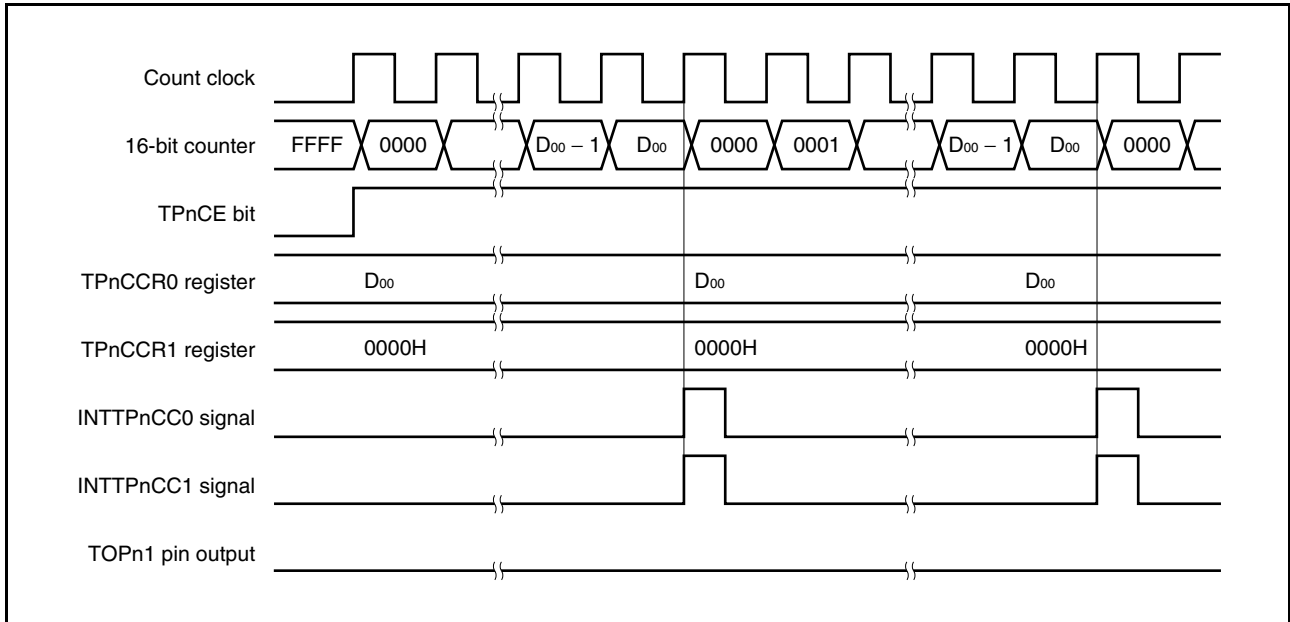
- <1> To change both the cycle and active level width of the PWM waveform, first set the cycle to the TPnCCR0 register and then set the active level width to the TPnCCR1 register.
- <2> To change only the cycle of the PWM waveform, first set the cycle to the TPnCCR0 register, and then write the same value to the TPnCCR1 register (that is, the same value as the value already specified for the TPnCCR1 register).
- <3> To change only the active level width (duty factor) of the PWM waveform, only the TPnCCR1 register has to be set.

Caution To rewrite the TPnCCR0 or TPnCCR1 register after writing the TPnCCR1 register, do so after the INTTPnCC0 signal has been generated; otherwise, the value of the CCRa buffer register may become undefined because the timing of transferring data from the TPnCCRa register to the CCRa buffer register conflicts with writing the TPnCCRa register.

(b) Outputting a 0% or 100% PWM waveform

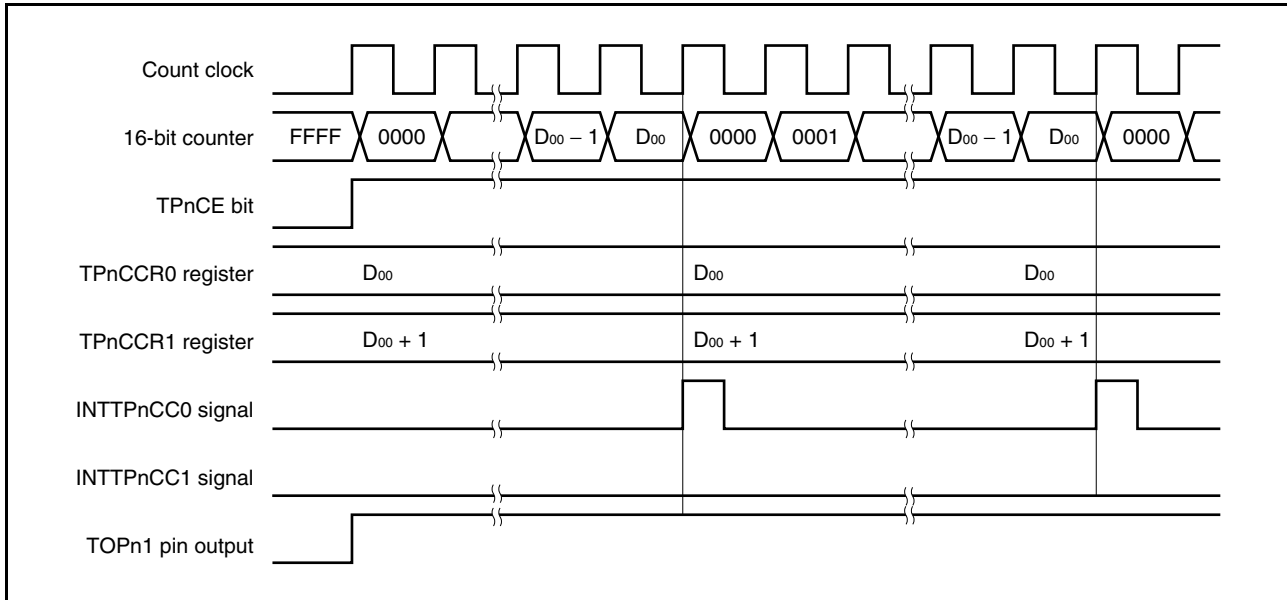
To output a 0% waveform, clear the TPnCCR1 register to 0000H.

Figure 7-49. Outputting 0% PWM Waveform



To output a 100% waveform, set the value of TPnCCR0 register + 1 to the TPnCCR1 register. If the value of the TPnCCR0 register is FFFFH, a 100% waveform cannot be output.

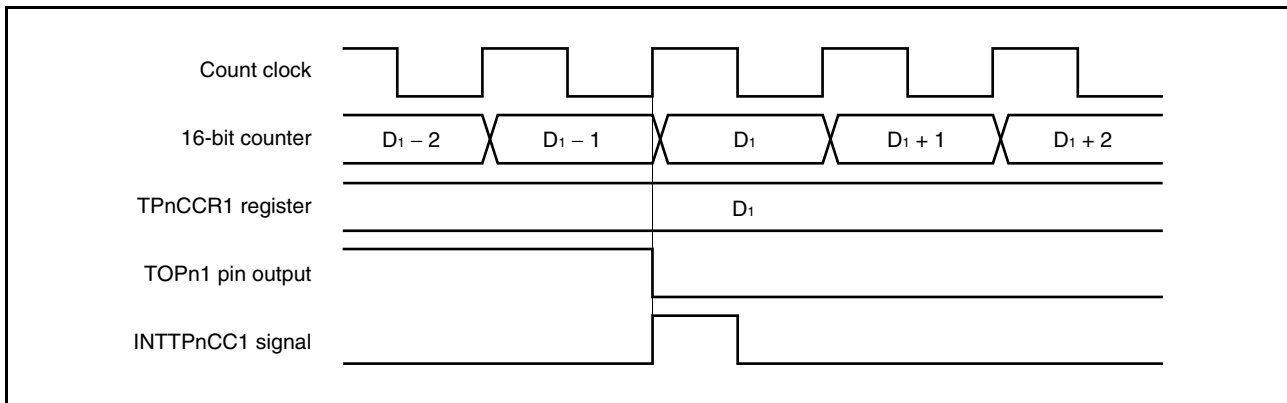
Figure 7-50. Outputting 100% PWM Waveform



(c) Timing of generating the compare match interrupt request signal (INTTPnCC1)

In the PWM output mode, the INTTPnCC1 signal is generated when the value of the 16-bit counter matches the value of the TPnCCR1 register.

Figure 7-51. Timing of Generating Compare Match Interrupt Signal (INTTPnCC1)

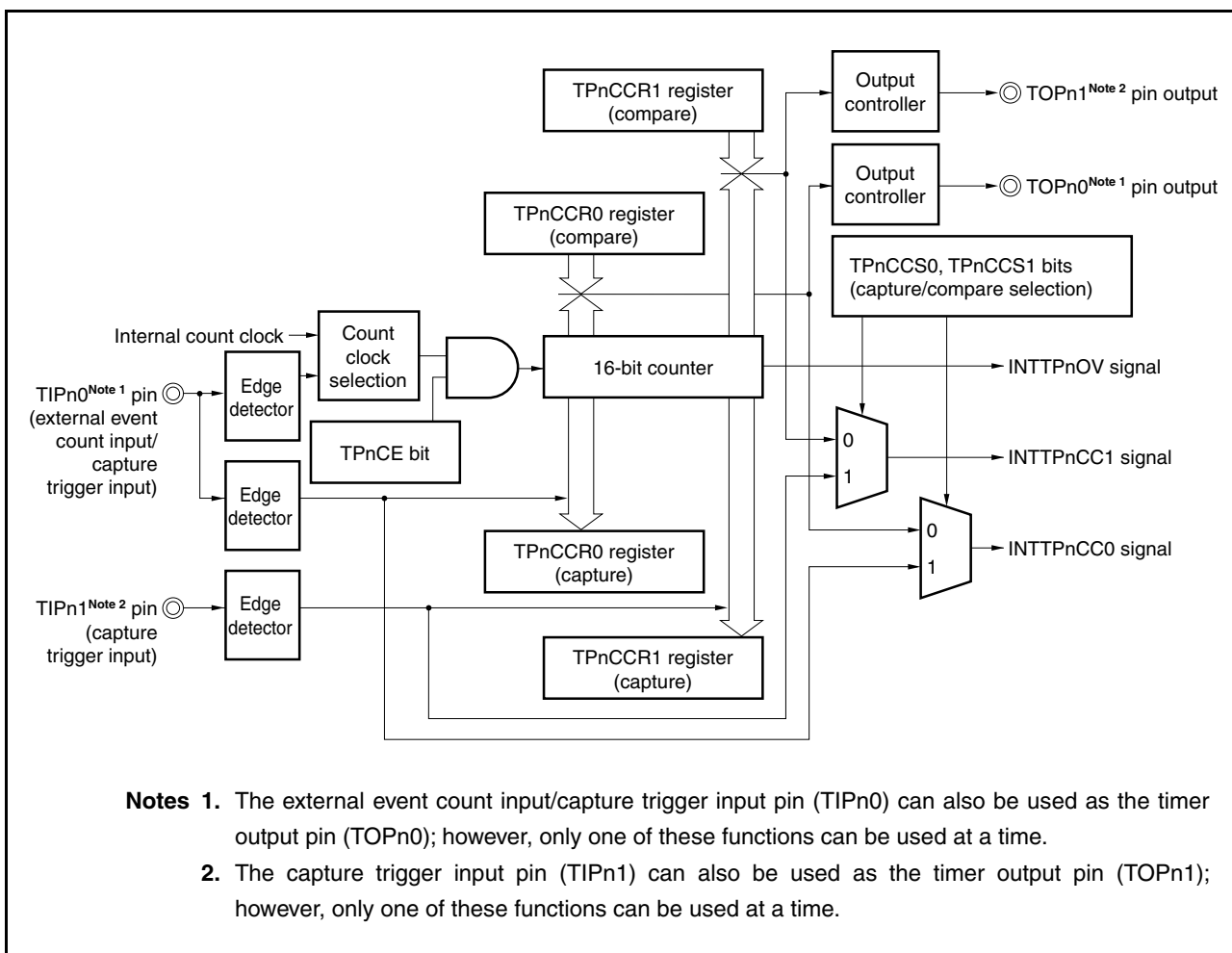


7.4.6 Free-running timer mode (TPnMD2 to TPnMD0 bits = 101)

In the free-running timer mode, TMPn starts incrementing when the TPnCTL0.TPnCE bit is set to 1. At this time, the TPnCCRa register can be used as a compare register or a capture register, according to the setting of the TPnOPT0.TPnCCS0 and TPnOPT0.TPnCCS1 bits.

- Remarks 1.** For how to set the TIPn0, TIPn1, TOPn0, and TOPn1 pins, see **Table 7-2 Pins Used by TMPn** and **Table 4-15 Settings When Pins Are Used for Alternate Functions**.
- 2.** For how to enable the INTTPnCC0 and INTTPnCC1 interrupt signals, see **CHAPTER 22 INTERRUPT SERVICING/EXCEPTION PROCESSING FUNCTION**.

Figure 7-52. Configuration of TMPn in Free-Running Timer Mode



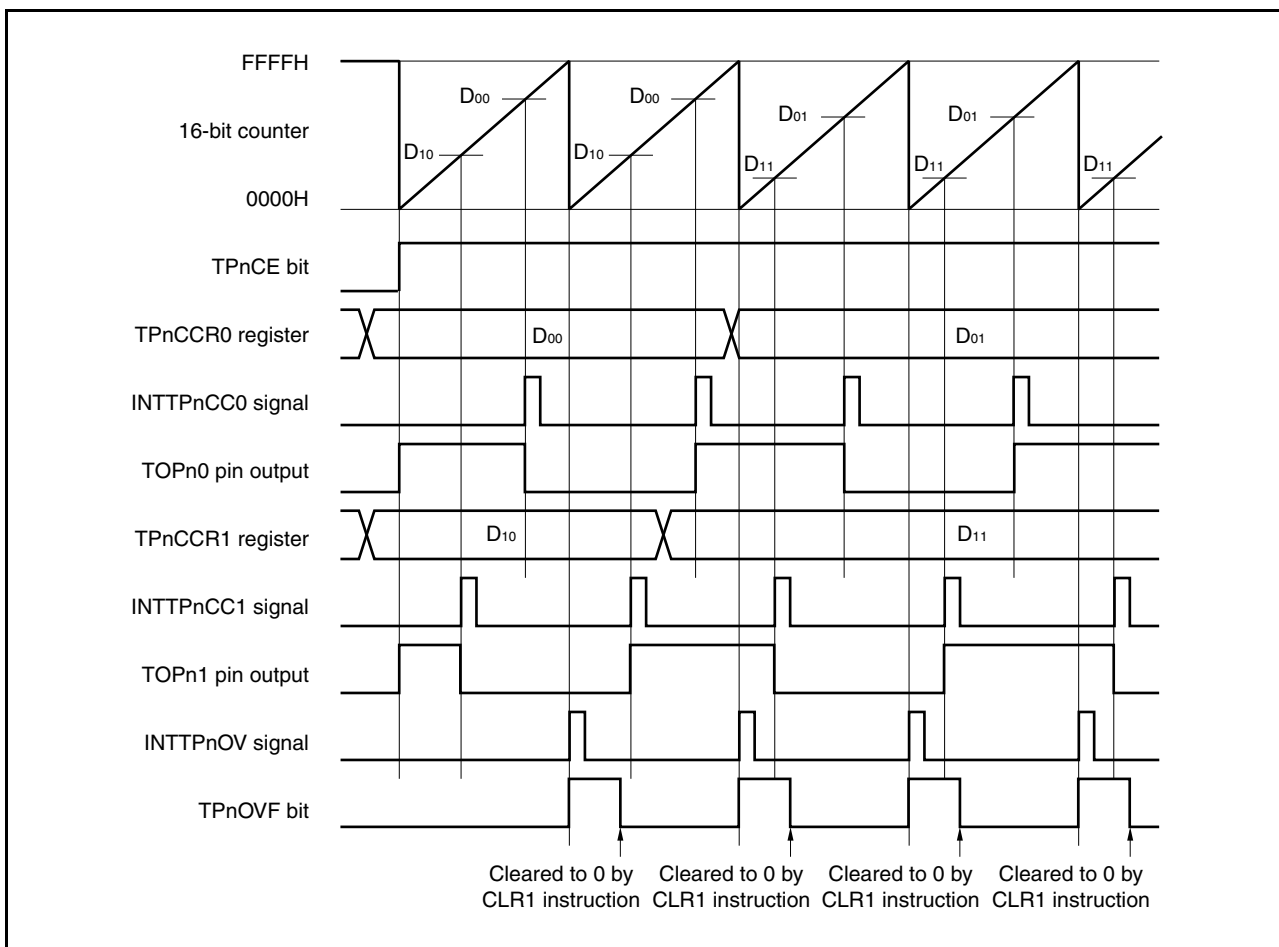
- Compare operation

When the TPnCE bit is set to 1, TMPn starts incrementing, and the output signals of the TOPn0 and TOPn1 pins are inverted. When the value of the 16-bit counter later matches the set value of the TPnCCRa register, a compare match interrupt request signal (INTTPnCCa) is generated, and the output signal of the TOPna pin is inverted.

The 16-bit counter continues incrementing in synchronization with the count clock. Once the counter reaches FFFFH, it generates an overflow interrupt request signal (INTTPnOV) at the next clock, is cleared to 0000H, and continues incrementing. At this time, the overflow flag (the TPnOPT0.TPnOVF bit) is also set to 1. The overflow flag must be cleared to 0 by executing a CLR1 software instruction.

The TPnCCRa register can be rewritten while the counter is incrementing. If it is rewritten, the new value is immediately applied, and compared with the count value.

Figure 7-53. Basic Timing of Operations in Free-Running Timer Mode (Compare Function)



- Capture operation

When the TPnCE bit is set to 1, the 16-bit counter starts incrementing. When it is detected that a valid edge as been input to the TIPna pin, the value of the 16-bit counter is stored in the TPnCCRa register, and a capture interrupt request signal (INTTPnCCa) is generated.

The 16-bit counter continues incrementing in synchronization with the count clock. When the counter reaches FFFFH, it generates an overflow interrupt request signal (INTTPnOV) at the next clock, is cleared to 0000H, and continues incrementing. At this time, the overflow flag (the TPnOPT0.TPnOVF bit) is also set to 1. The overflow flag must be cleared to 0 by executing a CLR1 software instruction.

Figure 7-54. Basic Timing of Operations in Free-Running Timer Mode (Capture Function)

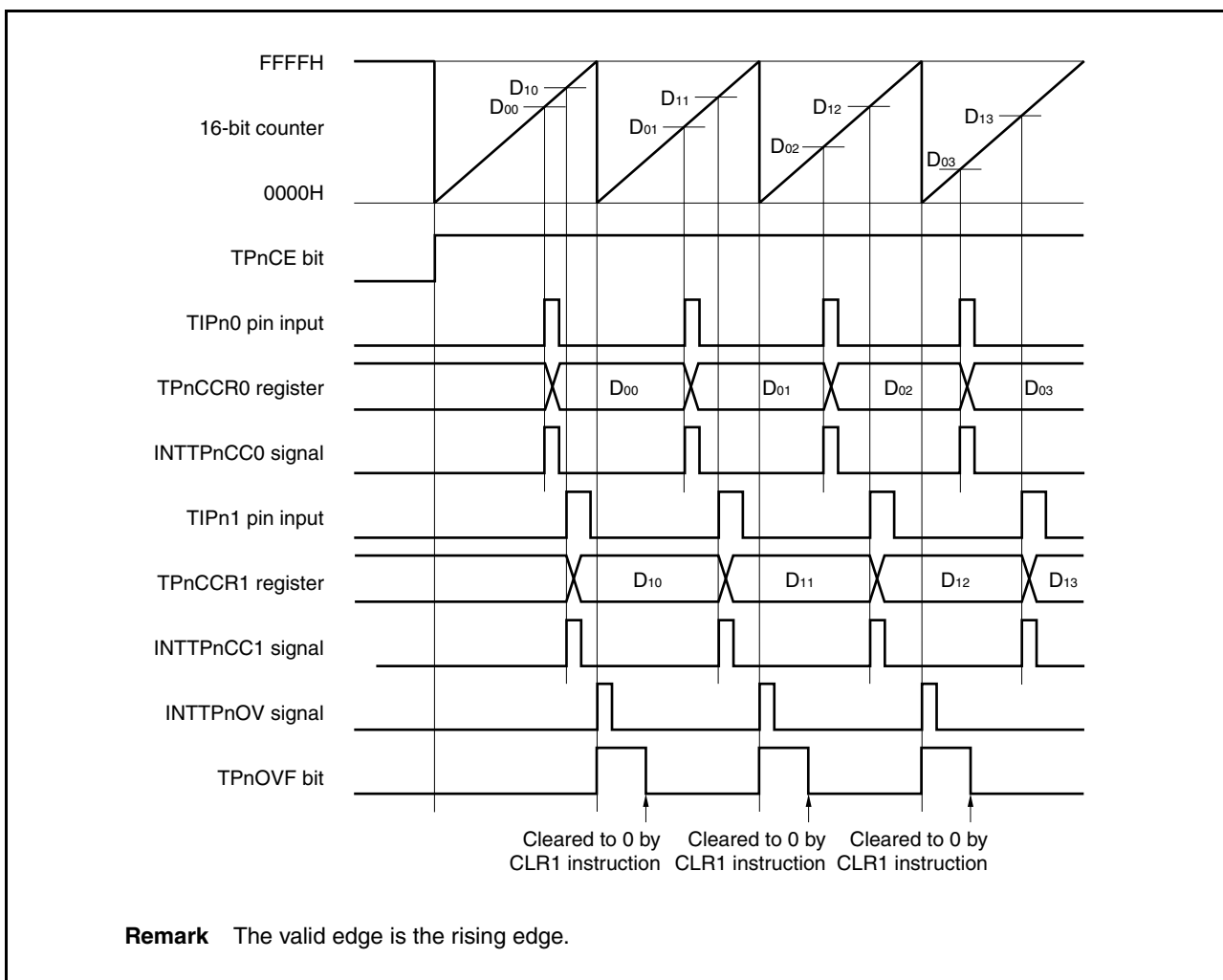


Figure 7-55. Register Settings in Free-Running Timer Mode (1/2)

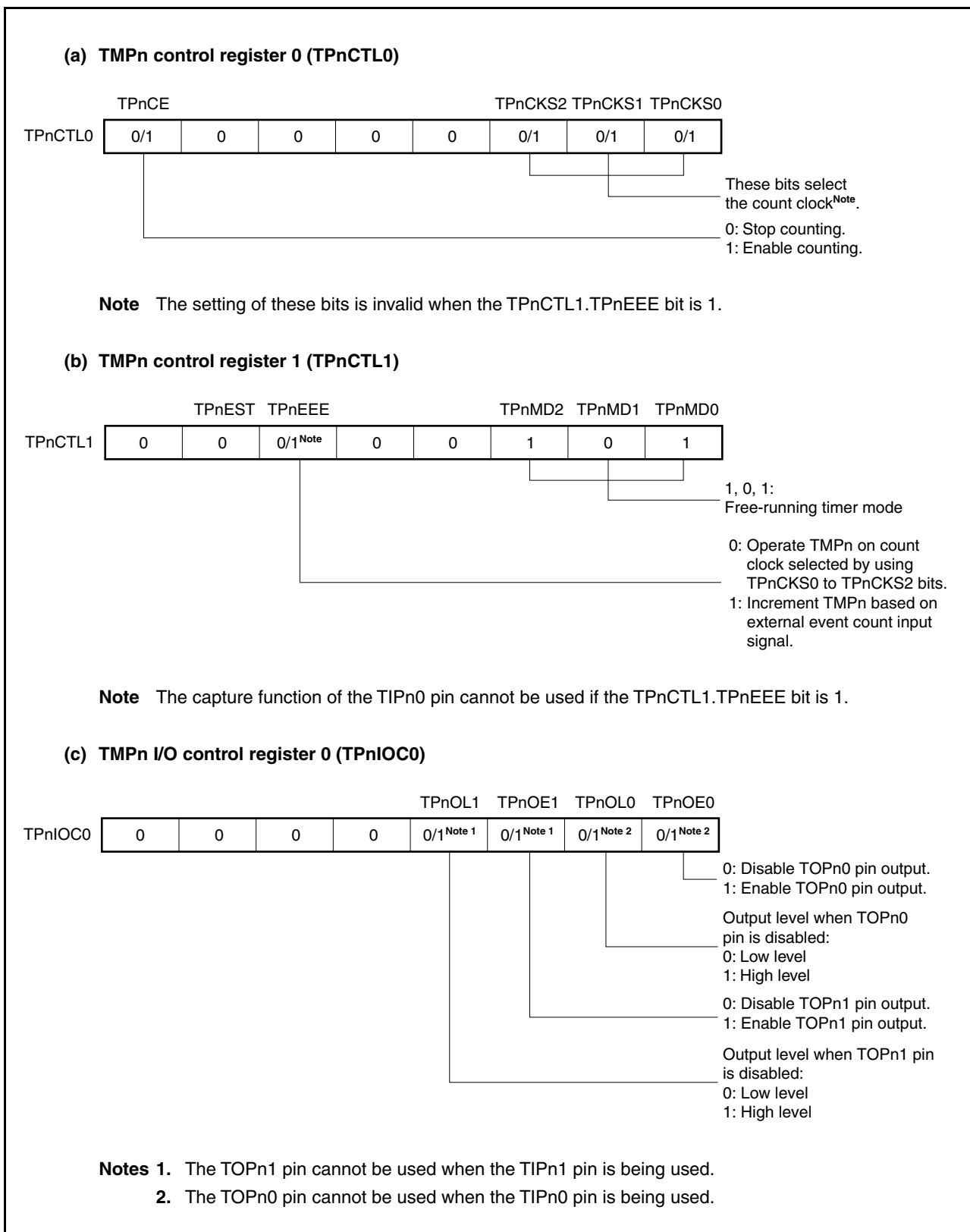
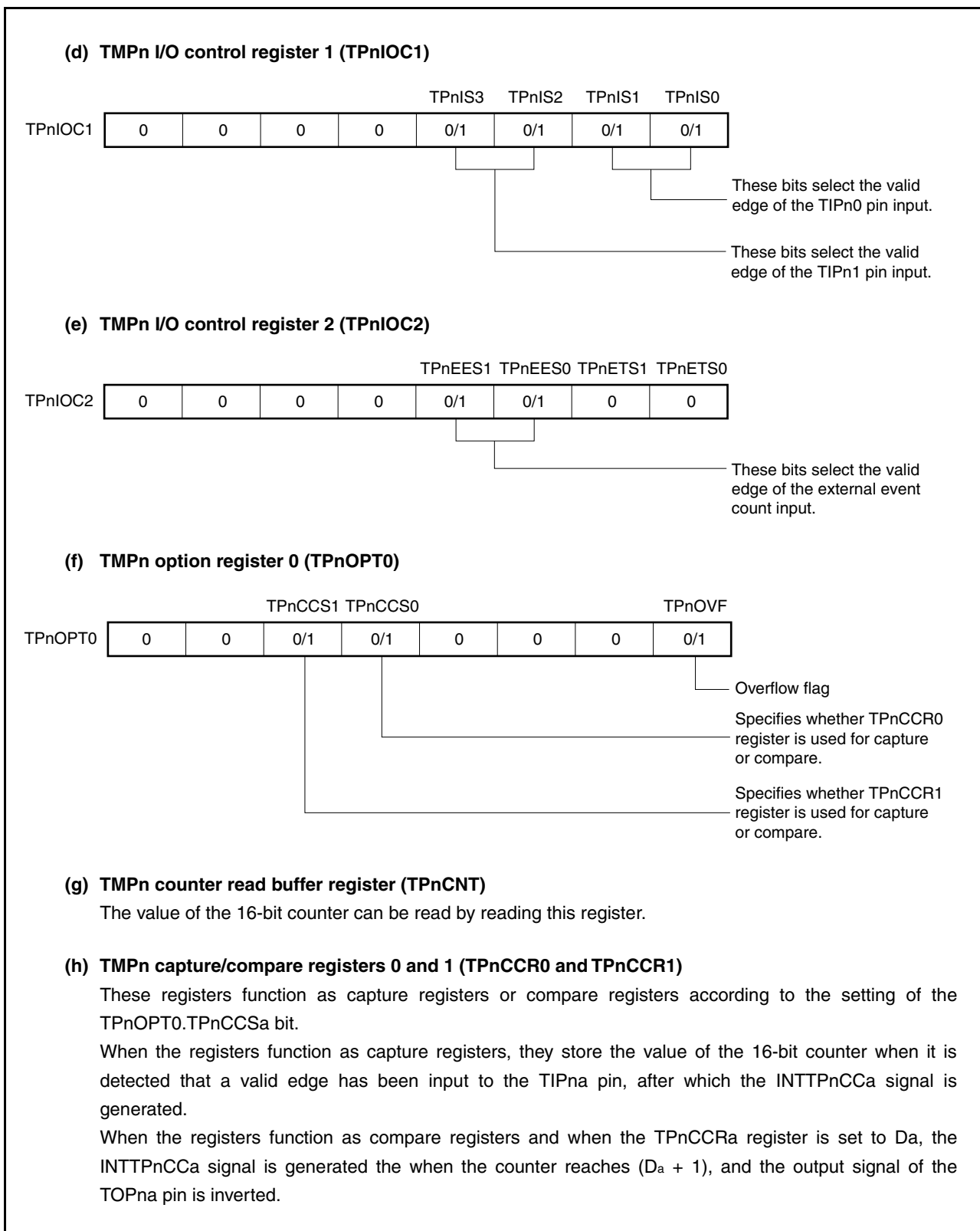


Figure 7-55. Register Settings in Free-Running Timer Mode (2/2)



(1) Operations in free-running timer mode

The following two operations occur in the free-running timer mode:

- Capture operations
- Compare operations

(a) Using a capture/compare register as a compare register

Figure 7-56. Timing and Processing of Operations in Free-Running Timer Mode (Compare Function) (1/2)

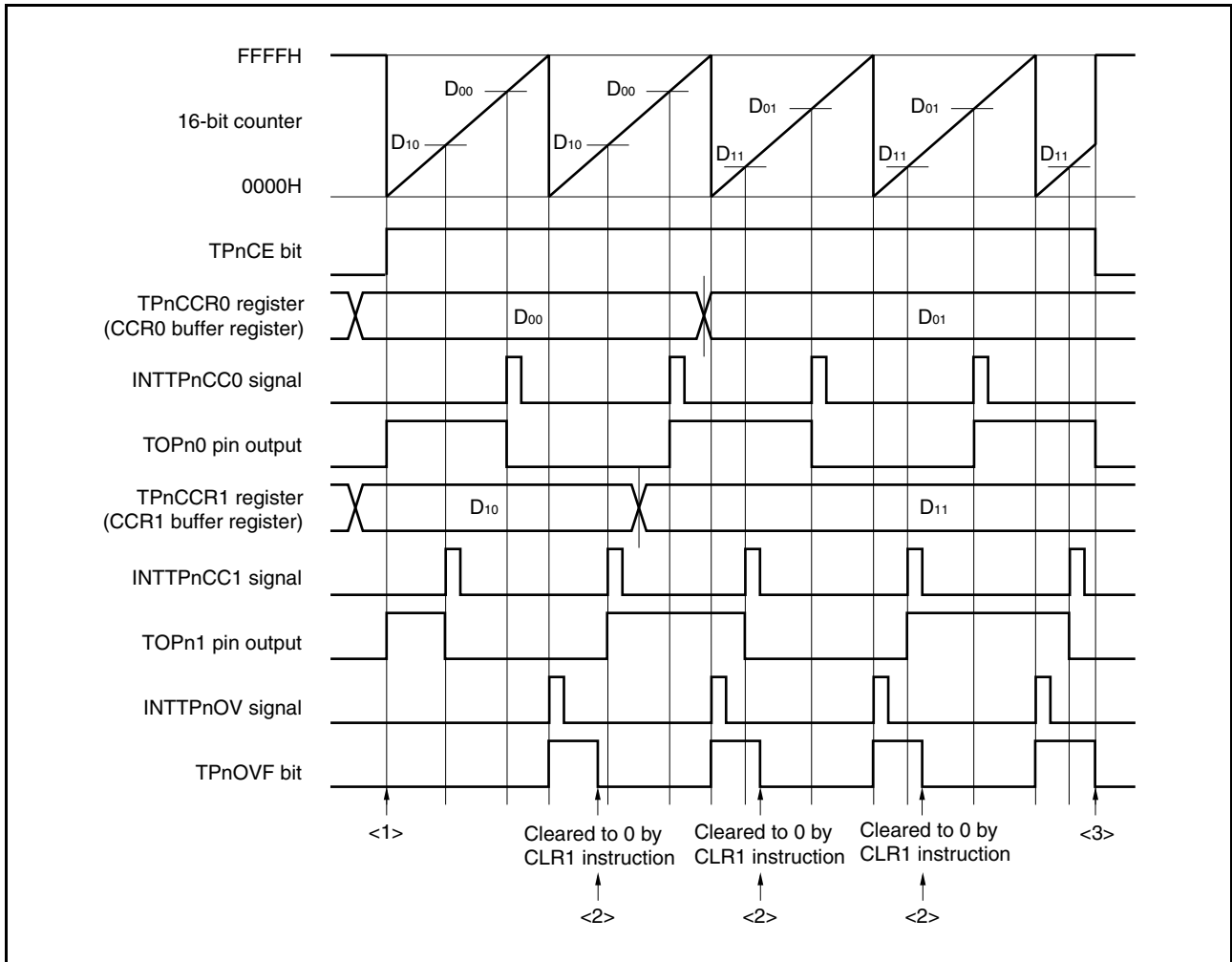
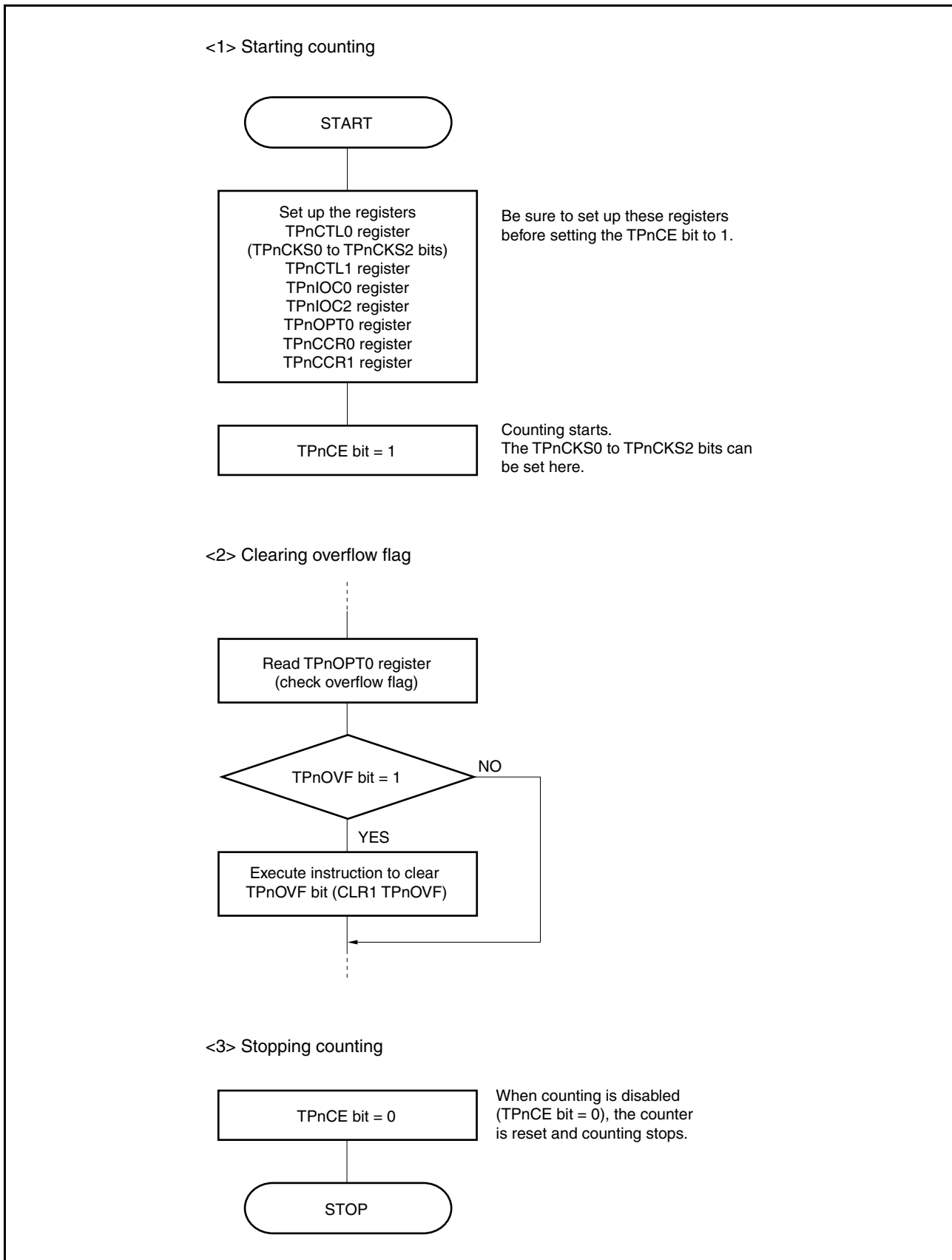


Figure 7-56. Timing and Processing of Operations in Free-Running Timer Mode (Compare Function) (2/2)



(b) Using a capture/compare register as a capture register

Figure 7-57. Timing and Processing of Operations in Free-Running Timer Mode (Capture Function) (1/2)

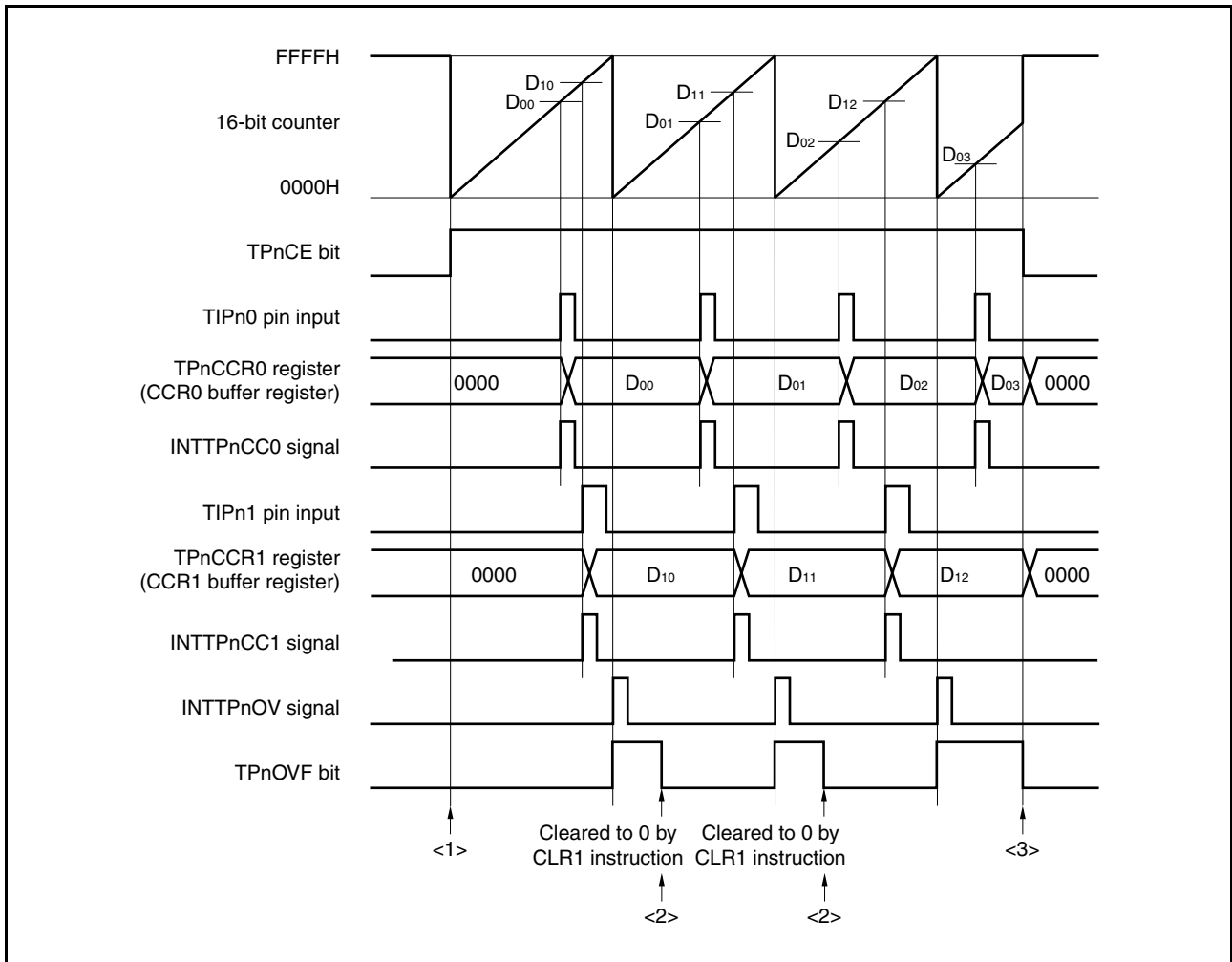
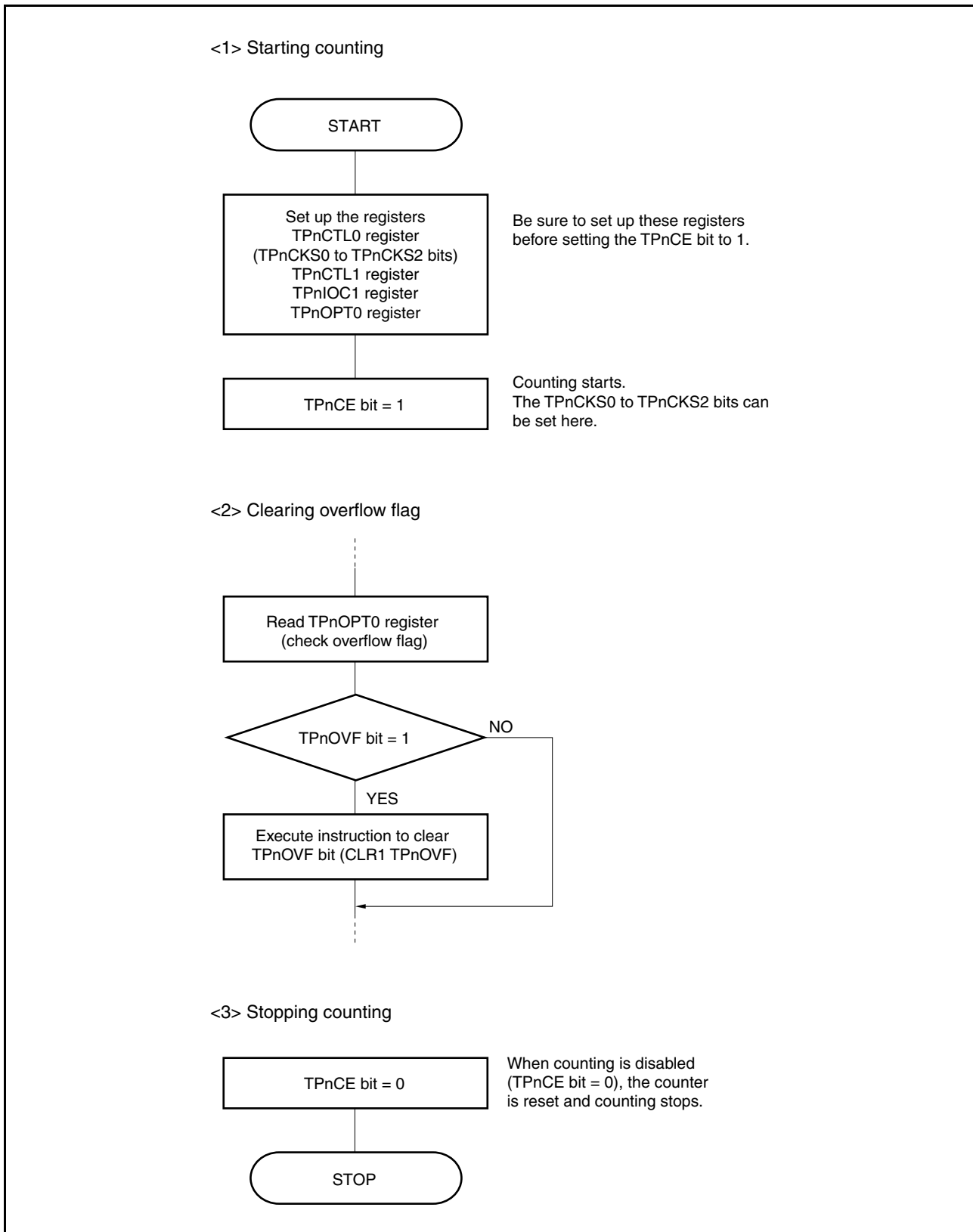


Figure 7-57. Timing and Processing of Operations in Free-Running Timer Mode (Capture Function) (2/2)

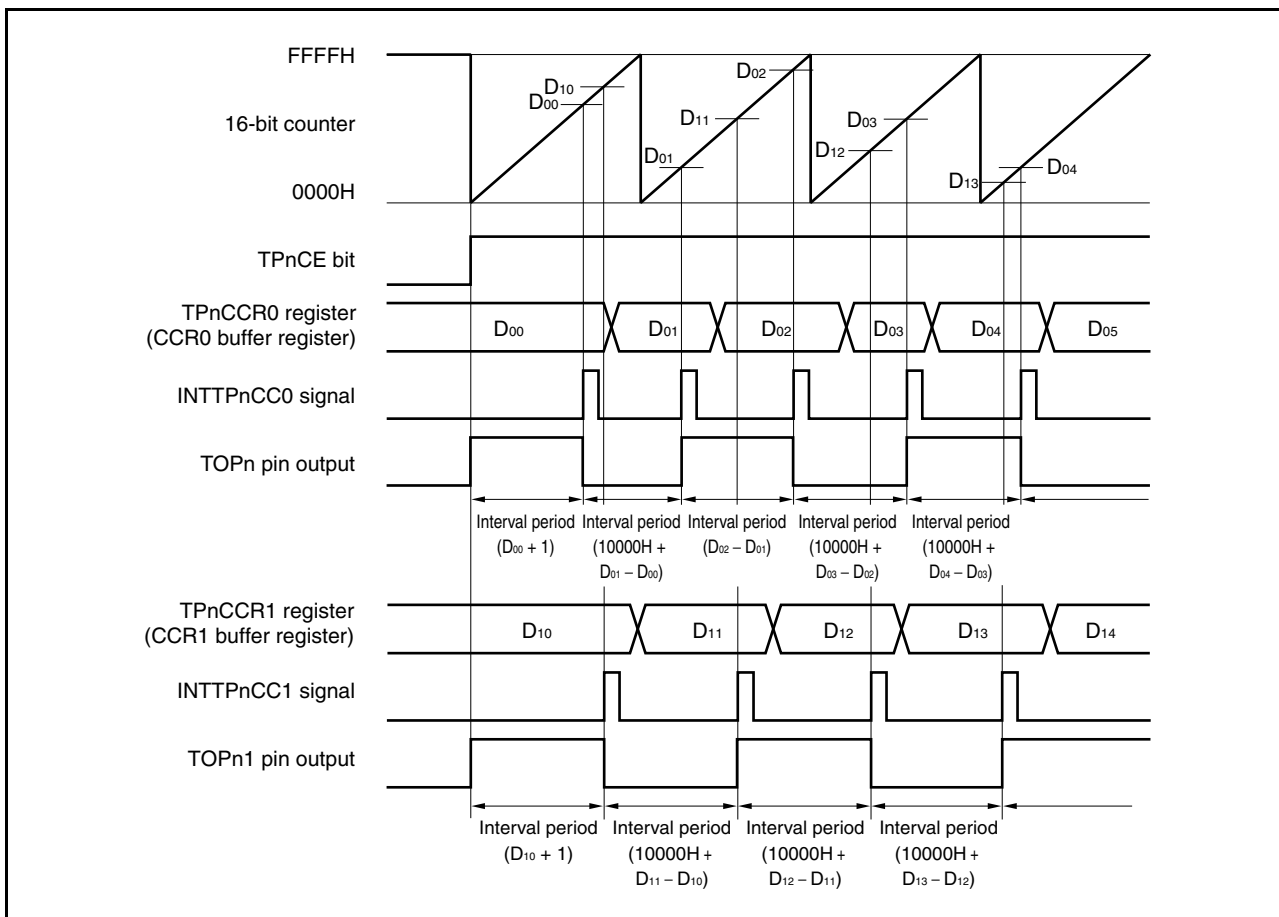


(2) Using free-running timer mode

(a) Interval operation using the TPnCCRa register as a compare register

When TMPn is used as an interval timer with the TPnCCRa register used as a compare register, the comparison value at which the next interrupt request signal is generated each time the INTTPnCCa signal has been detected must be set by software.

Figure 7-58. Interval Operation of TMPn in Free-Running Timer Mode



When performing an interval operation in the free-running timer mode, two intervals can be set for one channel. To perform the interval operation, the value of the corresponding TPnCCRa register must be set again in the interrupt servicing that is executed when the INTTPnCCa signal is detected.

The value to be set in this case can be calculated by the following expression, where “Da” is the interval period.

Compare register default value: $D_a - 1$

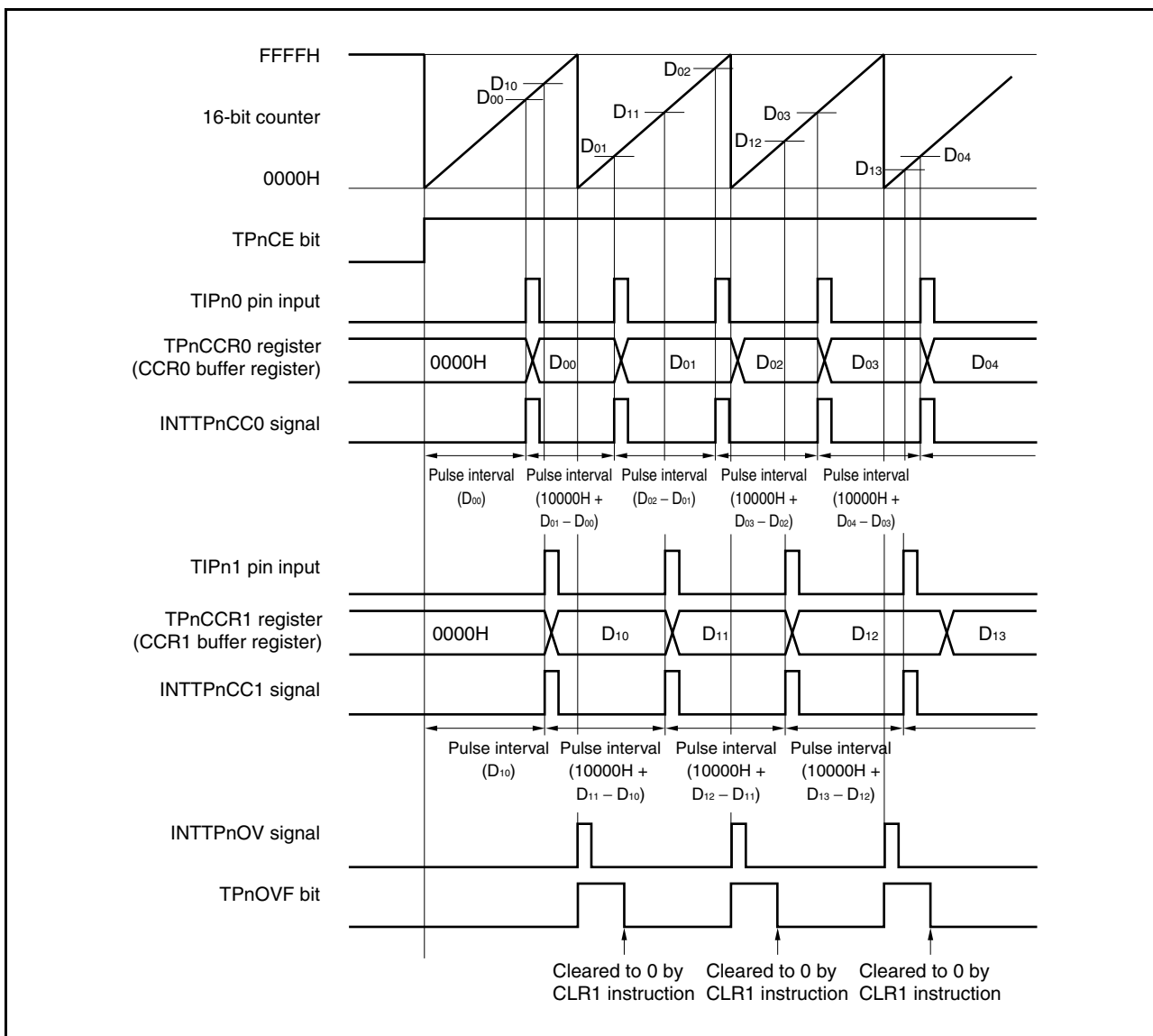
Value set to compare register second and subsequent time: Previous set value + D_a

(If the calculation result is greater than FFFFH, subtract 10000H from the result and set the register to this value.)

(b) Pulse width measurement using the TPnCCRa register as a capture register

When pulse width measurement is performed with the TPnCCRa register used as a capture register, each time the INTTPnCCa signal has been detected, the capture register must be read and the interval must be calculated by software.

Figure 7-59. Pulse Width Measurement by TMPn in Free-Running Timer Mode



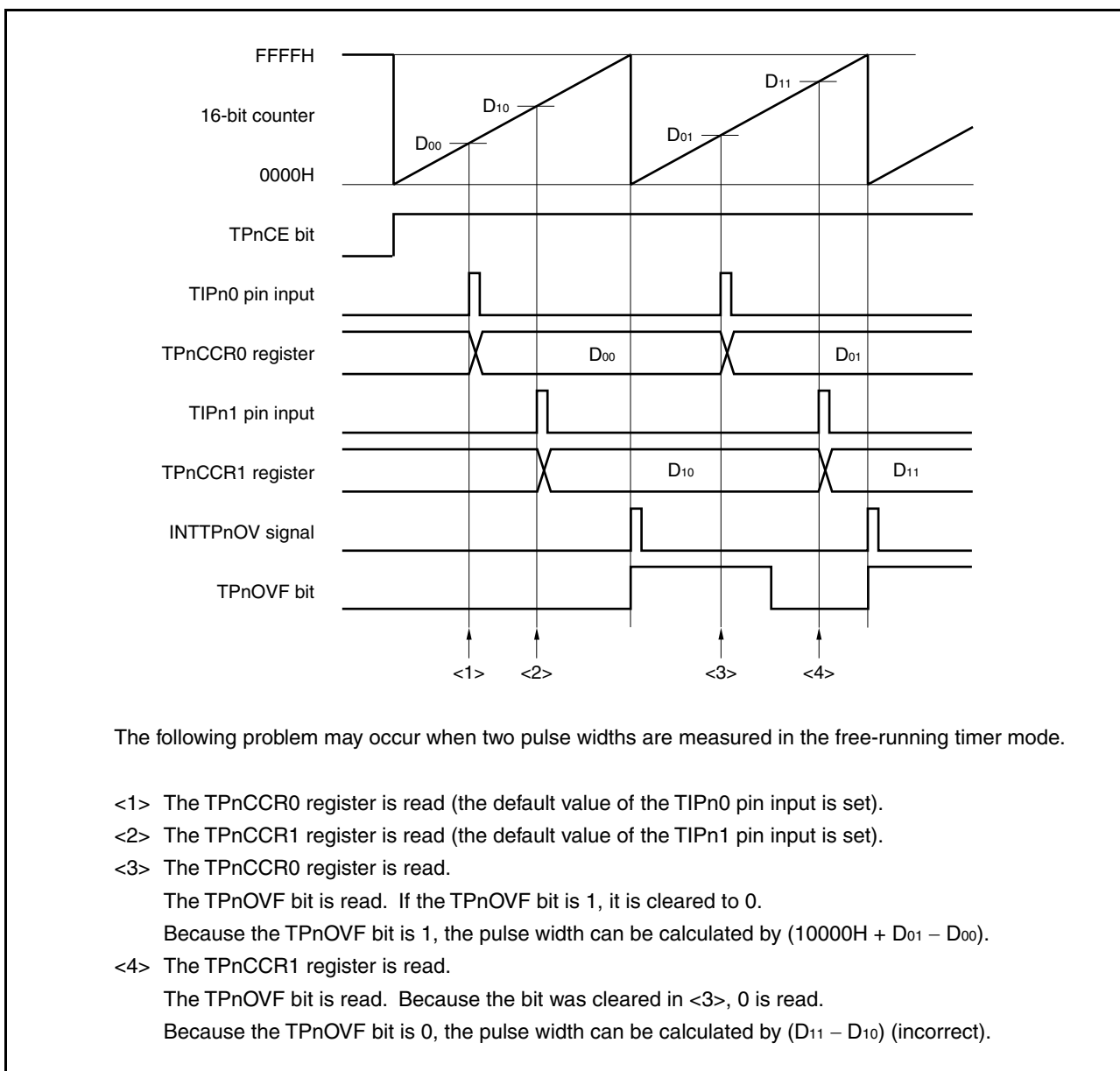
When executing pulse width measurement in the free-running timer mode, two pulse widths can be measured for one channel.

When measuring a pulse width, the pulse width can be calculated by reading the value of the TPnCCRa register in synchronization with the INTTPnCCa signal, and calculating the difference between that value and the previously read value.

(c) Processing an overflow when two capture registers are used

Care must be exercised in processing the overflow flag when two capture registers are used. First, an example of incorrect processing is shown below.

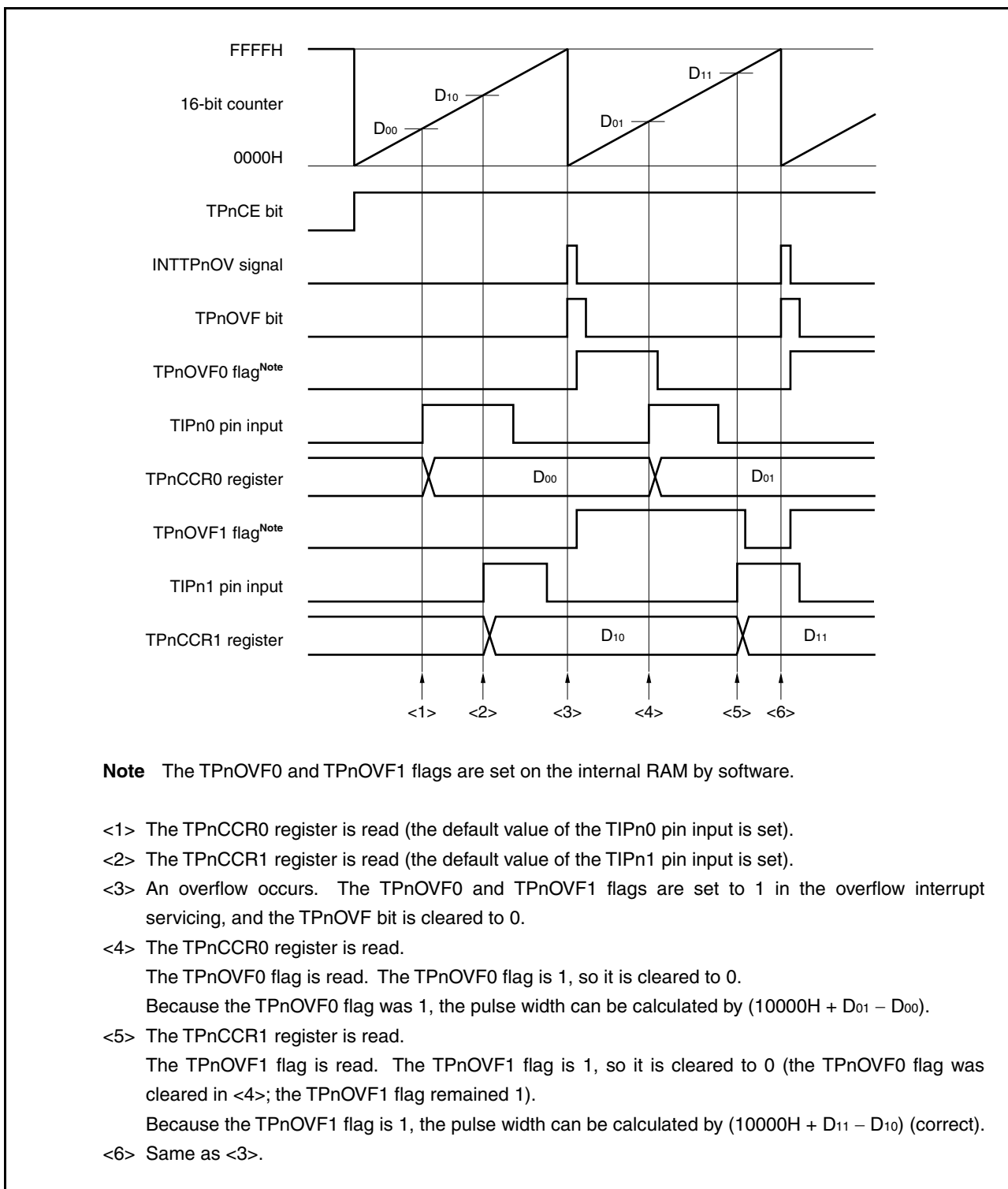
Figure 7-60. Example of Incorrect Processing When Two Capture Registers Are Used



When two capture registers are used, and if the overflow flag is cleared to 0 by one capture register, the other capture register may not obtain the correct pulse width.

This problem can be resolved by using software, as shown in the example below.

Figure 7-61. Example of Resolving Problem When Two Capture Registers Are Used By Using Overflow Interrupt



Note The TPnOVF0 and TPnOVF1 flags are set on the internal RAM by software.

<1> The TPnCCR0 register is read (the default value of the TIPn0 pin input is set).

<2> The TPnCCR1 register is read (the default value of the TIPn1 pin input is set).

<3> An overflow occurs. The TPnOVF0 and TPnOVF1 flags are set to 1 in the overflow interrupt servicing, and the TPnOVF bit is cleared to 0.

<4> The TPnCCR0 register is read.

The TPnOVF0 flag is read. The TPnOVF0 flag is 1, so it is cleared to 0.

Because the TPnOVF0 flag was 1, the pulse width can be calculated by $(10000H + D_{01} - D_{00})$.

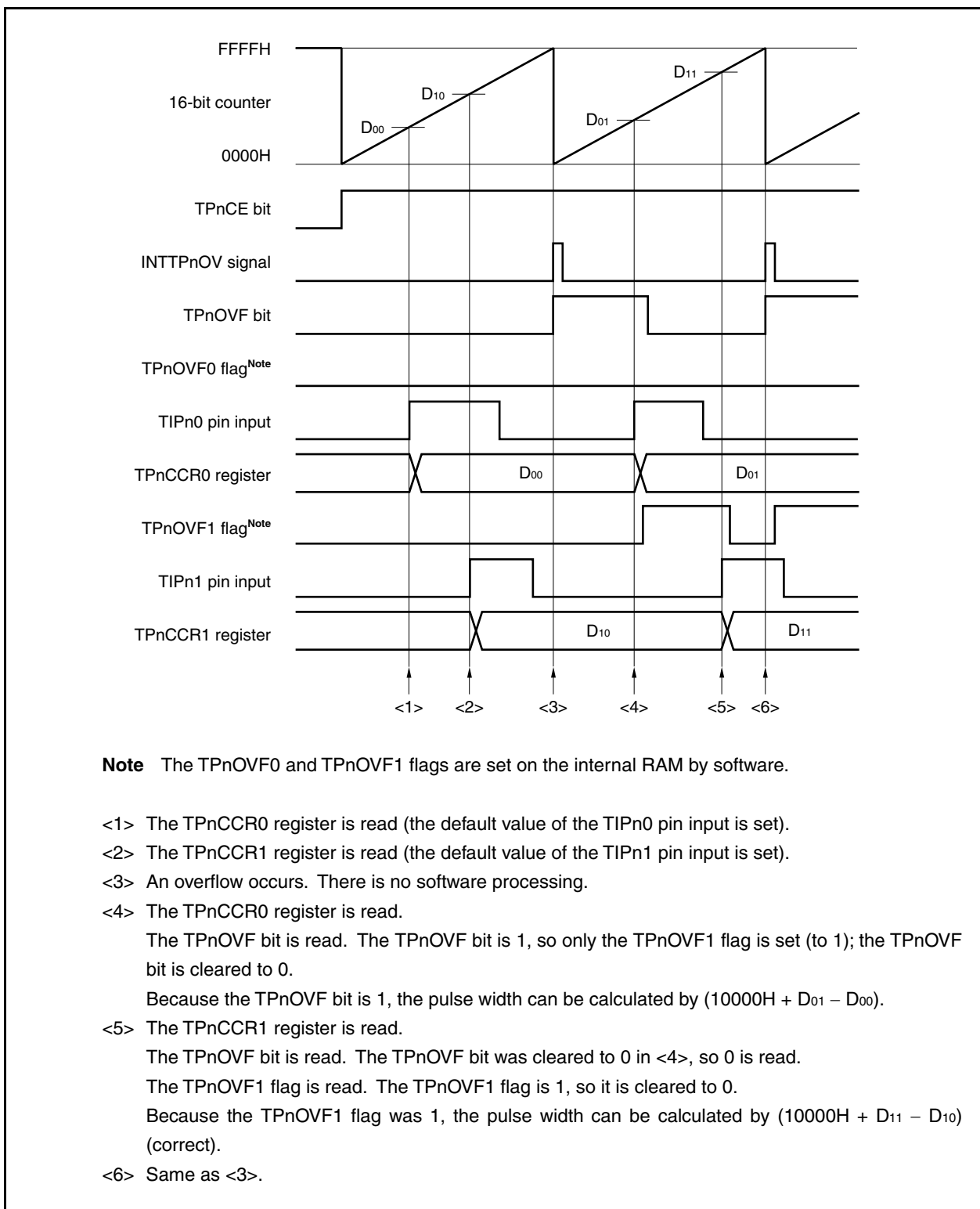
<5> The TPnCCR1 register is read.

The TPnOVF1 flag is read. The TPnOVF1 flag is 1, so it is cleared to 0 (the TPnOVF0 flag was cleared in <4>; the TPnOVF1 flag remained 1).

Because the TPnOVF1 flag is 1, the pulse width can be calculated by $(10000H + D_{11} - D_{10})$ (correct).

<6> Same as <3>.

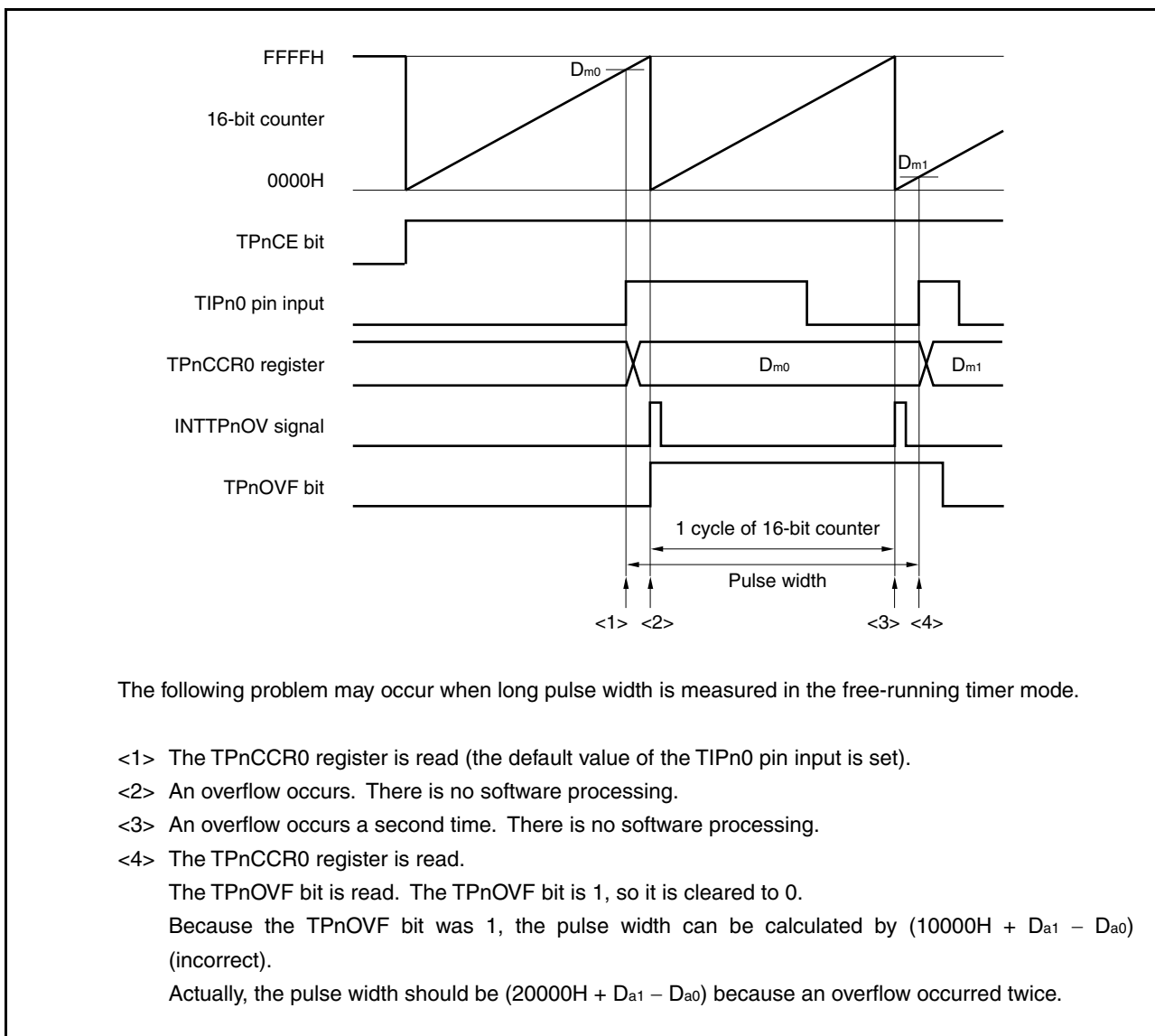
Figure 7-62. Example of Resolving Problem When Two Capture Registers Are Used Without Using Overflow Interrupt



(d) Processing of overflow if capture trigger interval is long

If the pulse width is greater than one cycle of the 16-bit counter, care must be exercised because an overflow may occur more than once between the first capture trigger and the next. First, an example of incorrect processing is shown below.

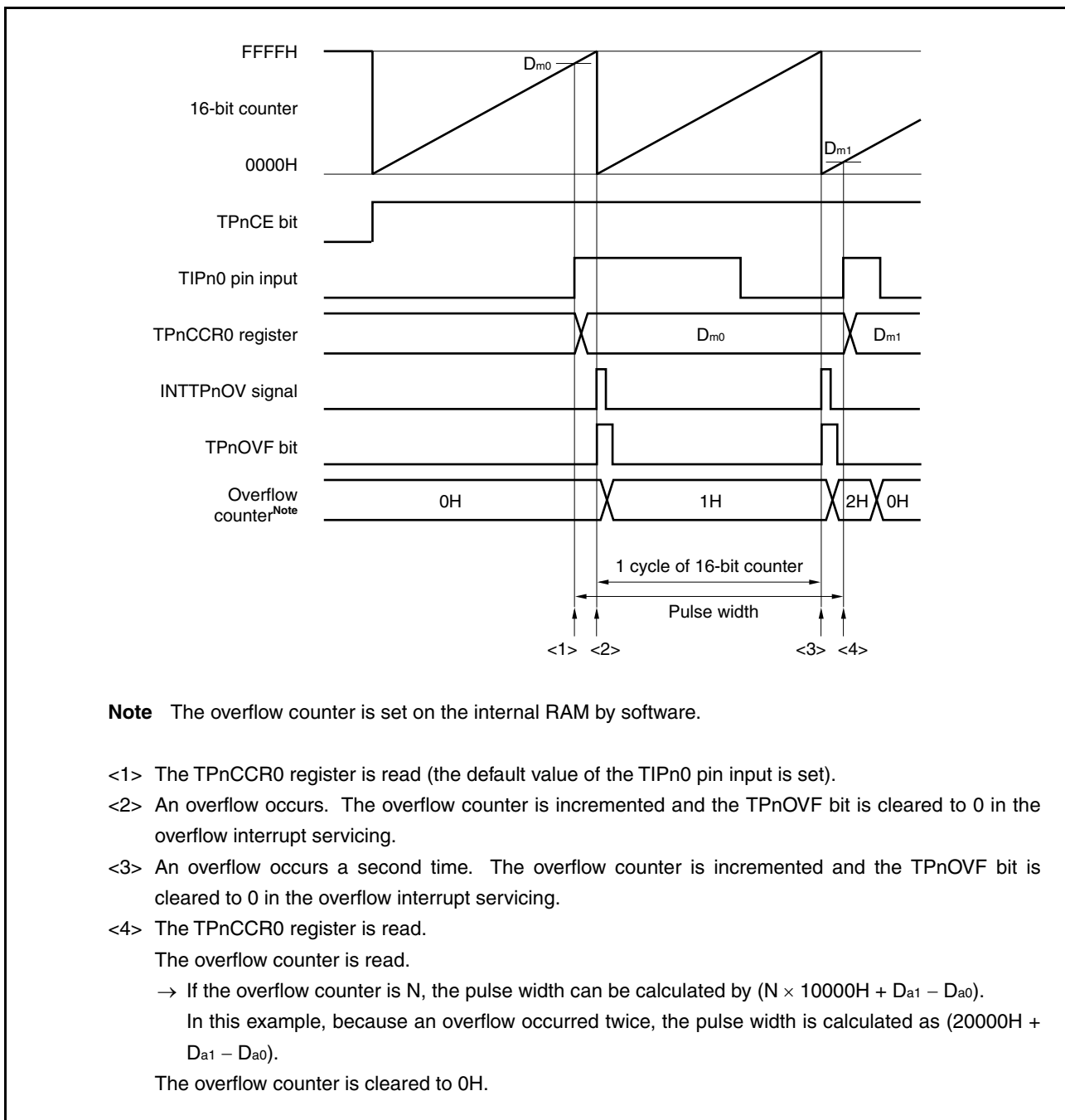
Figure 7-63. Example of Incorrect Processing When Capture Trigger Interval Is Long (When Using TIPn0)



If an overflow occurs twice or more when the capture trigger interval is long, the correct pulse width may not be obtained.

If the capture trigger interval is long, slow the count clock to lengthen one cycle of the 16-bit counter, or use software to resolve the problem. An example of how to use software to resolve the problem is shown below.

Figure 7-64. Example of Using Software Processing to Resolve Problem When Capture Trigger Interval Is Long (When Using TIPn0)



(e) Clearing the overflow flag (TPnOVF)

The overflow flag (TPnOVF) can be cleared to 0 by reading the TPnOVF bit and, if its value is 1, either clearing the bit to 0 by using the CLR1 instruction or by writing 8-bit data (with bit 0 as 0) to the TPnOPT0 register.

7.4.7 Pulse width measurement mode (TPnMD2 to TPnMD0 bits = 110)

In the pulse width measurement mode, TMPn starts incrementing when the TPnCTL0.TPnCE bit is set to 1. Each time it is detected that a valid edge has been input to the TIPna pin, the value of the 16-bit counter is stored in the TPnCCRa register, and the 16-bit counter is cleared to 0000H.

The interval of the valid edge can be measured by reading the TPnCCRa register after a capture interrupt request signal (INTTPnCCa) occurs.

Select either the TIPn0 or TIPn1 pin as the capture trigger input pin. Specify “No edge detected” by using the TPnIOC1 register for the unused pins.

- Remarks 1.** For how to set the TIPn0 and TIPn1 pins, see **Table 7-2 Pins Used by TMPn** and **Table 4-15 Settings When Pins Are Used for Alternate Functions**.
- 2.** For how to enable the INTTPnCC0 and INTTPnCC1 interrupt signals, see **CHAPTER 22 INTERRUPT SERVICING/EXCEPTION PROCESSING FUNCTION**.

Figure 7-65. Configuration of TMPn in Pulse Width Measurement Mode

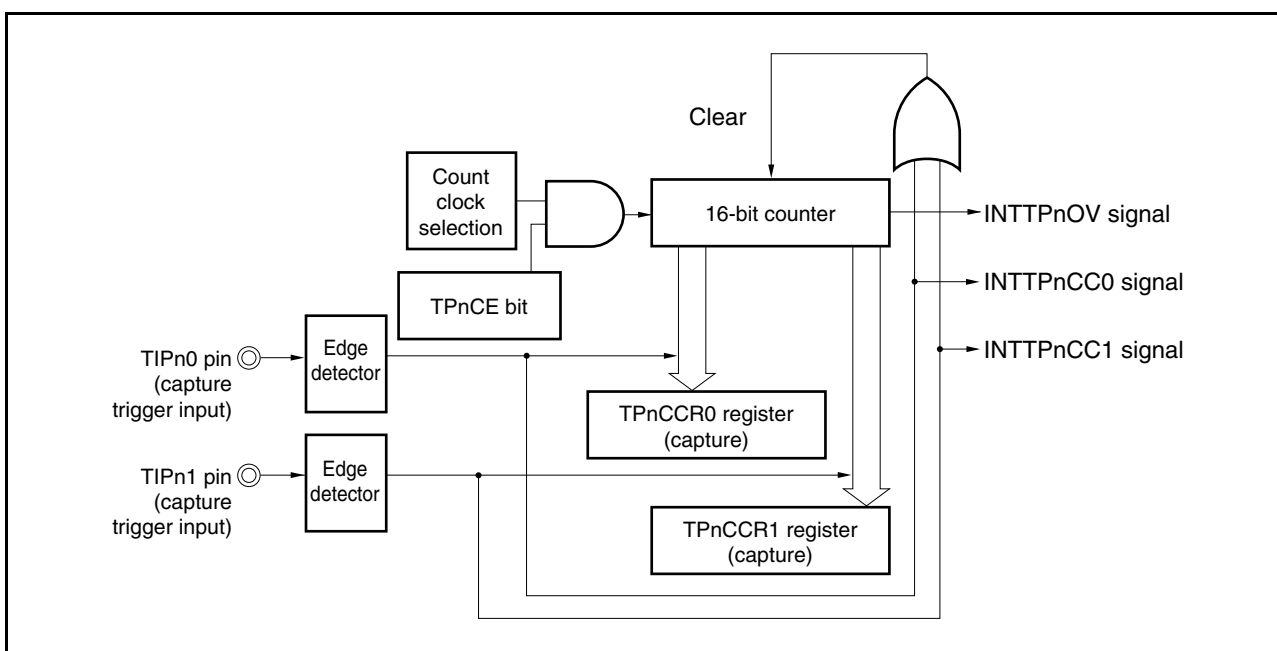
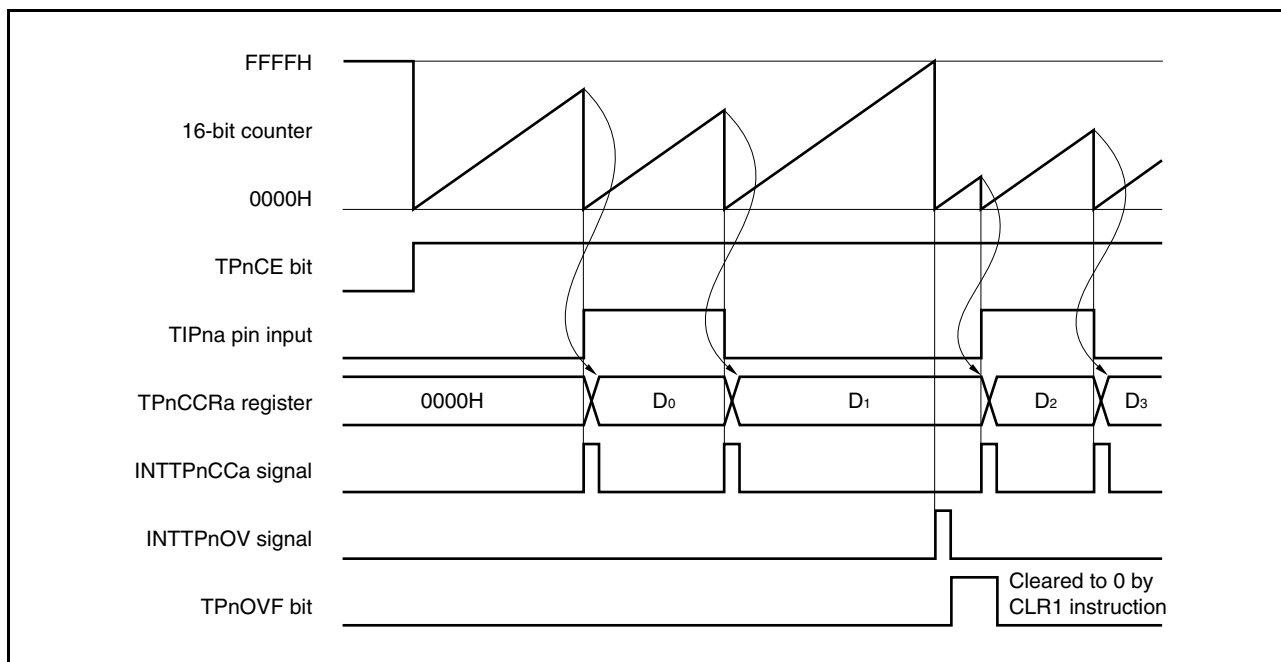


Figure 7-66. Basic Timing of Operations in Pulse Width Measurement Mode



When the TPnCE bit is set to 1, the 16-bit counter starts incrementing. When it is subsequently detected that a valid edge has been input to the TIPna pin, the value of the 16-bit counter is stored in the TPnCCRa register, the 16-bit counter is cleared to 0000H, and a capture interrupt request signal (INTTPnCCa) is generated.

The pulse width is calculated as follows.

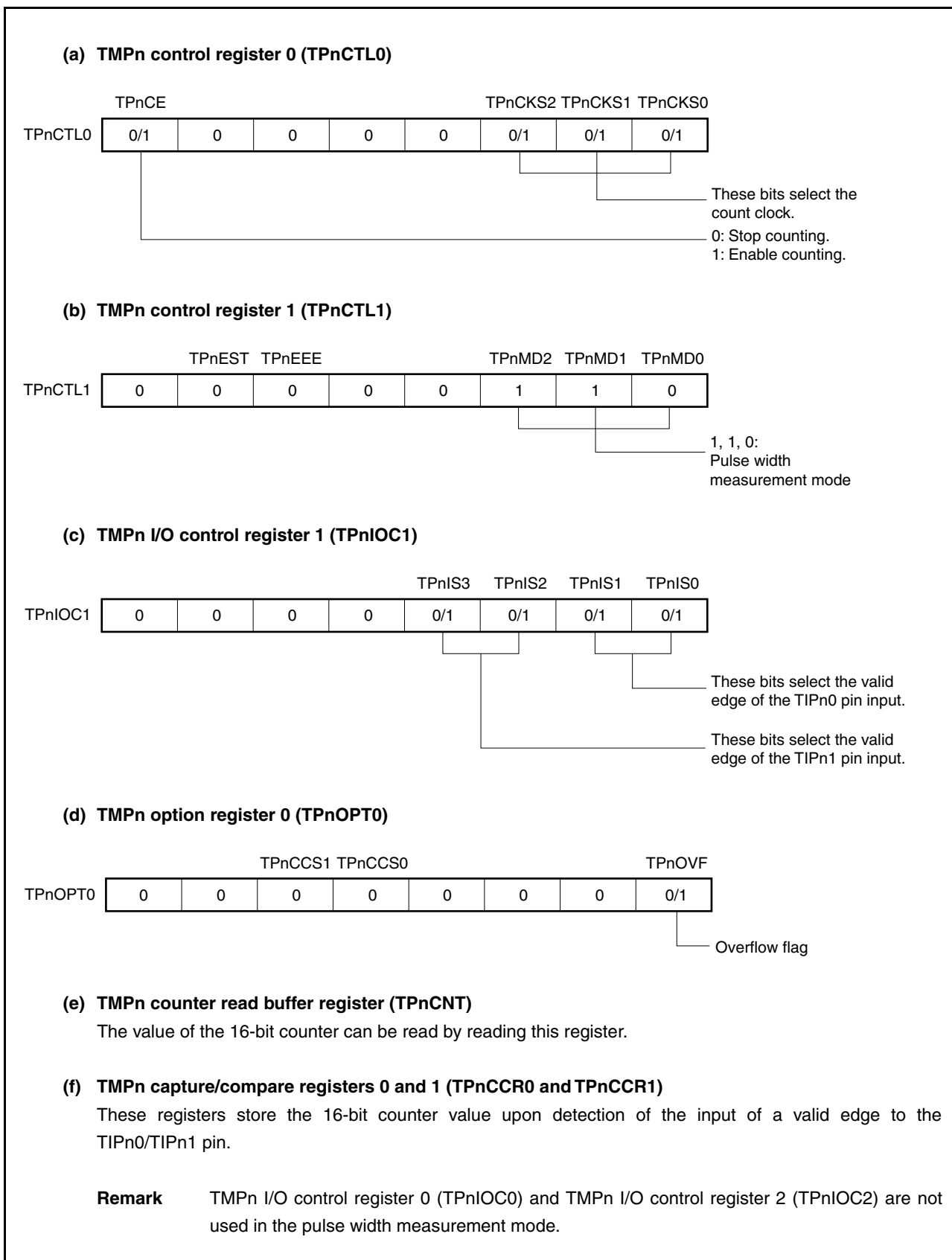
$$\text{Pulse width} = \text{Captured value} \times \text{Count clock cycle}$$

If a valid edge has not been input to the TIPna pin by the time the 16-bit counter has incremented up to FFFFH, an overflow interrupt request signal (INTTPnOV) is generated at the next count clock, and the counter is cleared to 0000H and continues incrementing. At this time, the overflow flag (TPnOPT0.TPnOVF bit) is also set to 1. Clear the overflow flag to 0 by executing the software instruction CLR1.

If the overflow flag is set to 1, the pulse width can be calculated as follows.

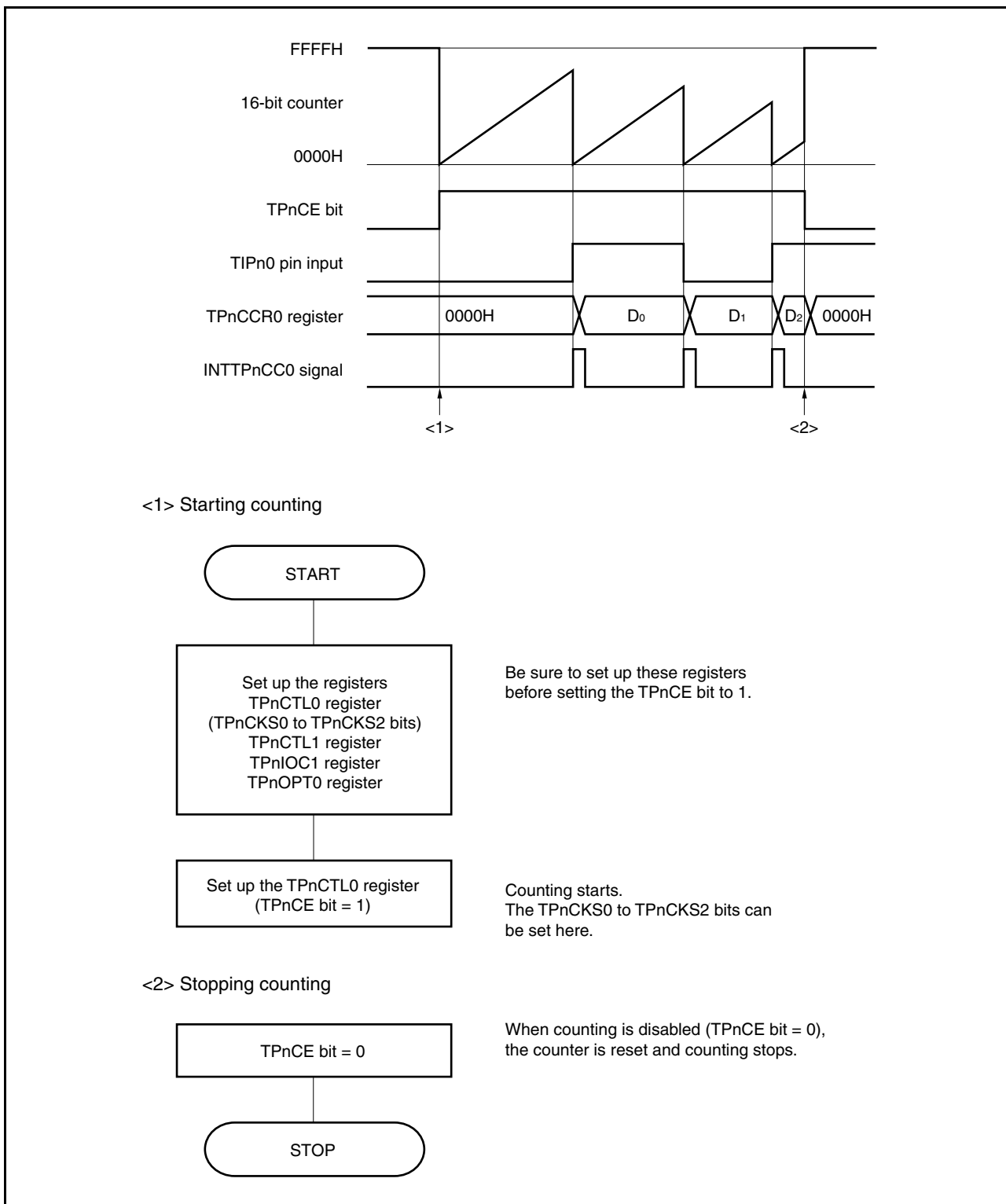
$$\text{Pulse width} = (10000\text{H} \times \text{Number of times the TPnOVF bit was set (1)} + \text{Captured value}) \times \text{Count clock cycle}$$

Figure 7-67. Register Settings in Pulse Width Measurement Mode



(1) Operations in pulse width measurement mode

Figure 7-68. Timing and Processing of Operations in Pulse Width Measurement Mode



(2) Using pulse width measurement mode**(a) Clearing the overflow flag (TPnOVF)**

The overflow flag (TPnOVF) can be cleared to 0 by reading the TPnOVF bit and, if its value is 1, either clearing the bit to 0 by using the CLR1 instruction or by writing 8-bit data (with bit 0 as 0) to the TPnOPT0 register.

7.4.8 Timer output operations

The following table shows the operations and output levels of the TOPn0 and TOPn1 pins.

Table 7-7. Timer Output Control in Each Mode

Operation Mode	TOPn1 Pin	TOPn0 Pin
Interval timer mode	Square wave output	
External event count mode	-	
External trigger pulse output mode	External trigger pulse output	Square wave output
One-shot pulse output mode	One-shot pulse output	
PWM output mode	PWM output	
Free-running timer mode	Square wave output (only when compare function is used)	
Pulse width measurement mode	-	

Table 7-8. Truth Table of TOPn0 and TOPn1 Pins Under Control of Timer Output Control Bits

TPnIOC0.TPnOLa Bit	TPnIOC0.TPnOEa Bit	TPnCTL0.TPnCE Bit	Level of TOPna Pin
0	0	×	Low-level output
	1	0	Low-level output
		1	Low level immediately before counting, high level after counting is started
1	0	×	High-level output
	1	0	High-level output
		1	High level immediately before counting, low level after counting is started

7.5 Selector

In the V850ES/JG3-L, the selector can be used to specify the capture trigger input for TMP as either a signal input to a port/timer alternate-function pin or peripheral I/O (TMP/UARTA) signal.

By using the selector, the following is possible:

- The TIP10 and TIP11 input signals of TMP1 can be selected as either the port/timer alternate-function pins (TIP10 and TIP11 pins) or the UARTA reception alternate-function pins (RXDA0 and RXDA1).
→ When the RXDA0 or RXDA1 signal of UART0 or UART1 is selected, the baud rate error in LIN reception transfer of UARTA can be calculated.

- Cautions**
1. When using the selector, set the capture trigger input of TMP before connecting the timer.
 2. When setting the selector, first disable the peripheral I/O to be connected (TMP or UARTA).

The capture input for the selector is specified by the following register.

(1) Selector operation control register 0 (SELCNT0)

The SELCNT0 register is an 8-bit register that selects the capture trigger for TMP1.

This register can be read or written in 8-bit or 1-bit units.

Reset sets this register to 00H.

After reset: 00H		R/W	Address: FFFFF308H						
		7	6	5	<4>	<3>	2	1	0
SELCNT0		0	0	0	ISEL4	ISEL3	0	0	0
		ISEL4		Selection of TIP11 input signal (TMP1)					
		0		TIP11 pin input					
		1		RXDA1 pin input					
		ISEL3		Selection of TIP10 input signal (TMP1)					
		0		TIP10 pin input					
		1		RXDA0 pin input					

Cautions

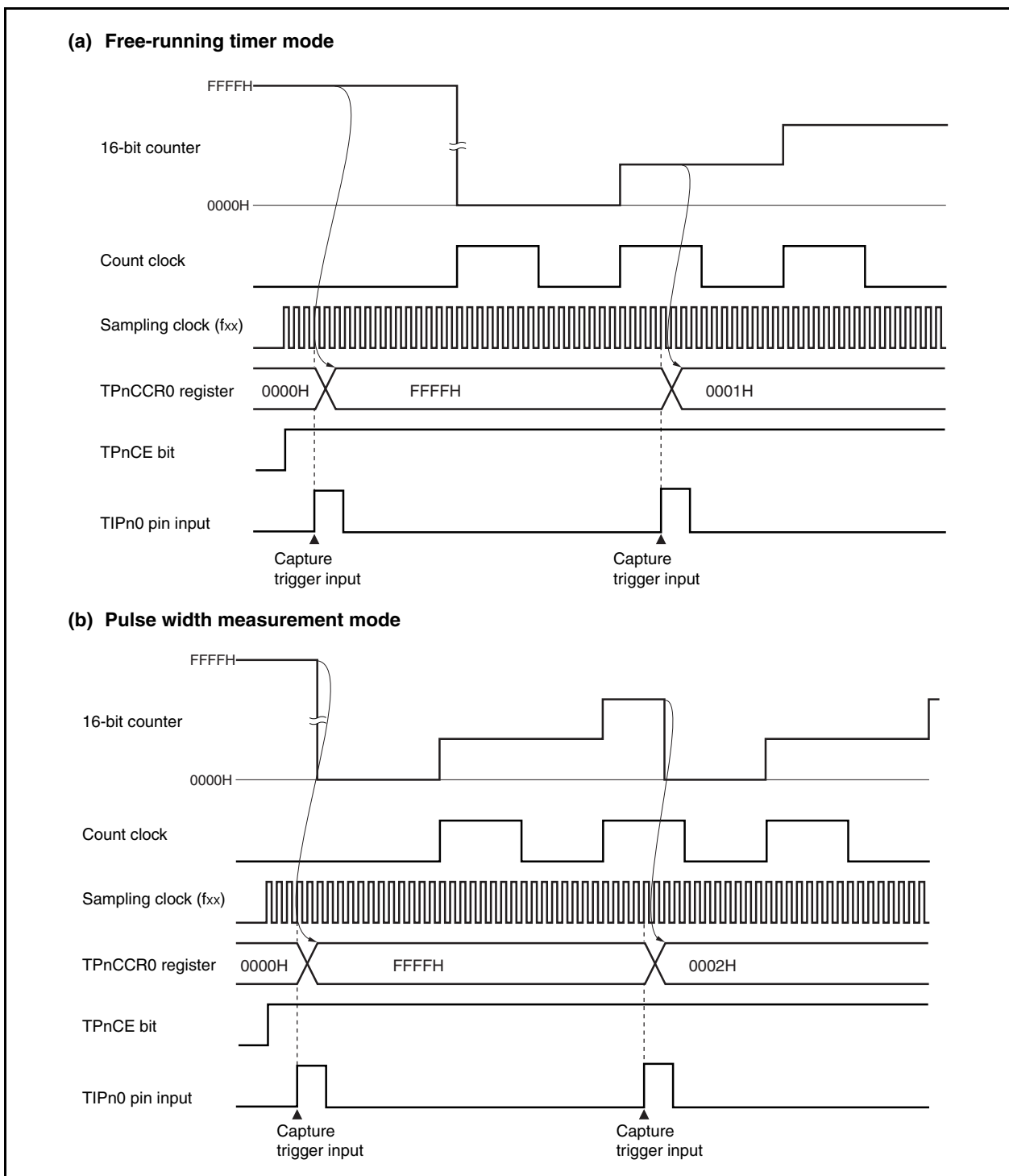
1. When setting the ISEL3 and ISEL4 bits to 1, set the corresponding pin to the capture input mode.
2. Be sure to clear bits 7 to 5 and 2 to 0 to "0".

7.6 Cautions

(1) Capture operation

When the capture operation is used and $f_{xx}/8$, $f_{xx}/16$, $f_{xx}/32$, $f_{xx}/64$, $f_{xx}/128$, $f_{xx}/256$, or $f_{xx}/512$ is selected as the count clock, FFFFH, not 0000H, may be captured in the TPnCCR0 and TPnCCR1 registers, or the capture operation may not be performed at all (the capture interrupt does not occur) if the capture trigger is input immediately after the TPnCE bit is set to 1.

This also occurs during the period in which no external event counts are input while the capture operation is being used and an external event count input is being used as the count clock.



CHAPTER 8 16-BIT TIMER/EVENT COUNTER Q (TMQ)

Timer Q (TMQ) is a 16-bit timer/event counter.

The V850ES/JG3-L incorporates one TMQ timer/counter, TMQ0.

8.1 Functions

TMQ0 has the following features:

- (1) Interval timer
TMQ0 generates an interrupt at a preset interval and can output a square wave.
- (2) External event counter
TMQ0 counts the number of externally input signal pulses.
- (3) External trigger pulse output
TMQ0 starts counting and outputs a pulse when the specified external signal is input.
- (4) One-shot pulse output
TMQ0 outputs a one-shot pulse with an output width that can be freely specified.
- (5) PWM output
TMQ0 outputs a pulse with a constant cycle whose active width can be changed.
The pulse duty can also be changed freely even while the timer is operating.
- (6) Free-running timer
The 16-bit counter increments from 0000H to FFFFH and then resets.
- (7) Pulse width measurement
TMQ0 can be used to measure the pulses of a signal input externally.

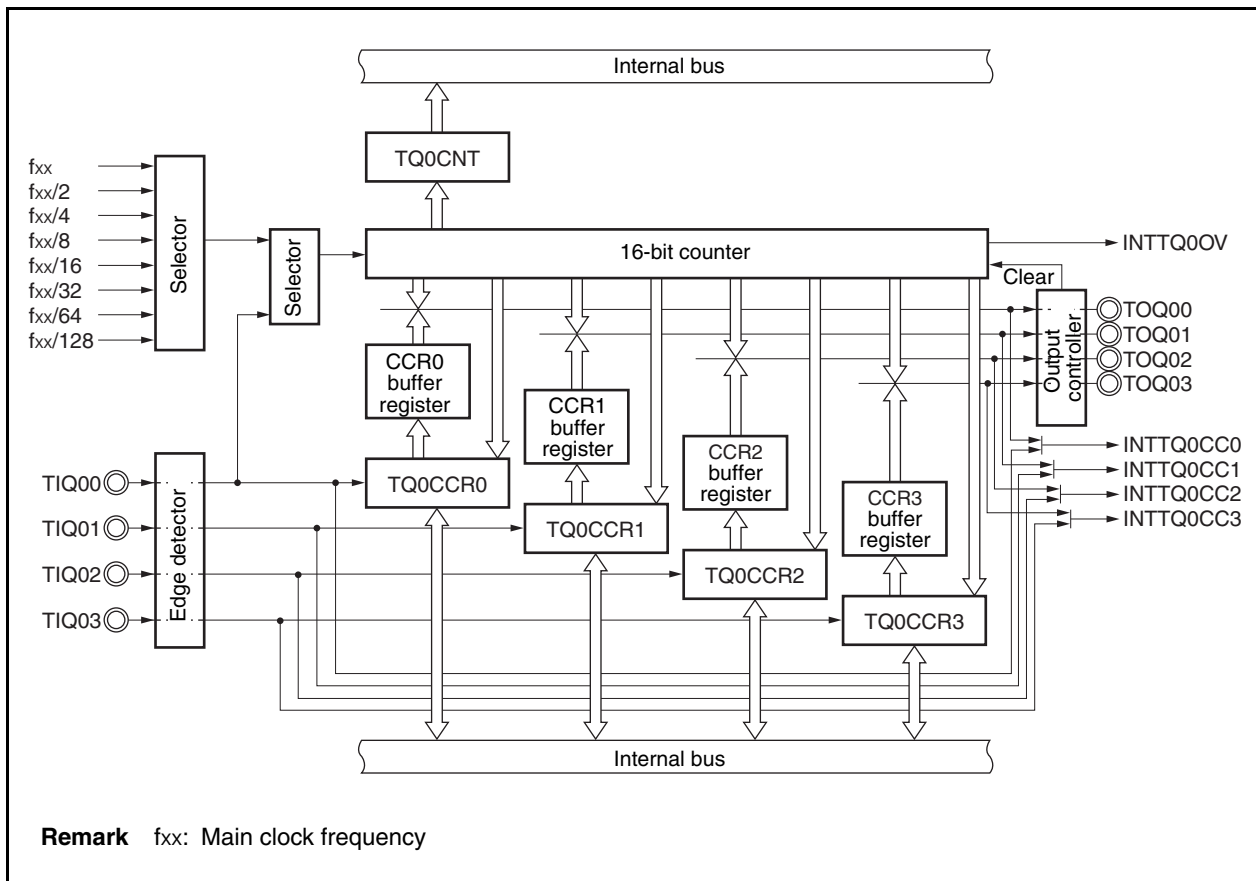
8.2 Configuration

TMQ0 includes the following hardware.

Table 8-1. Configuration of TMQ0

Item	Configuration
Registers	16-bit counter TMQ0 capture/compare registers 0 to 3 (TQ0CCR0 to TQ0CCR3) TMQ0 counter read buffer register (TQ0CNT) CCR0 to CCR3 buffer registers TMQ0 control registers 0, 1 (TQ0CTL0, TQ0CTL1) TMQ0 I/O control registers 0 to 2 (TQ0IOC0 to TQ0IOC2) TMQ0 option register 0 (TQ0OPT0)
Timer inputs	4 (TIQ00 to TIQ03 pins)
Timer outputs	4 (TOQ00 to TOQ03 pins)

Figure 8-1. Block Diagram of TMQ0



(1) 16-bit counter

This is a 16-bit counter that counts internal clocks and external events.

This counter can be read by using the TQ0CNT register.

When the TQ0CTL0.TQ0CE bit is 0 and the counter is stopped, the counter value is FFFFH. If the TQ0CNT register is read at this time, 0000H is read.

Reset sets the TQ0CE bit to 0, stopping the counter, and setting its value to FFFFH.

(2) CCR0 buffer register

This is a 16-bit compare register that compares the value of the 16-bit counter.

When the TQ0CCR0 register is used as a compare register, the value written to the TQ0CCR0 register is transferred to the CCR0 buffer register. If the value of the 16-bit counter matches the value of the CCR0 buffer register, a compare match interrupt request signal (INTTQ0CC0) is generated.

The CCR0 buffer register cannot be read or written directly.

The CCR0 buffer register is cleared to 0000H after reset because the TQ0CCR0 register is cleared to 0000H.

(3) CCR1 buffer register

This is a 16-bit compare register that compares the value of the 16-bit counter.

When the TQ0CCR1 register is used as a compare register, the value written to the TQ0CCR1 register is transferred to the CCR1 buffer register. If the count value of the 16-bit counter matches the value of the CCR1 buffer register, a compare match interrupt request signal (INTTQ0CC1) is generated.

The CCR1 buffer register cannot be read or written directly.

The CCR1 buffer register is cleared to 0000H after reset because the TQ0CCR1 register is cleared to 0000H.

(4) CCR2 buffer register

This is a 16-bit compare register that compares the value of the 16-bit counter.

When the TQ0CCR2 register is used as a compare register, the value written to the TQ0CCR2 register is transferred to the CCR2 buffer register. If the count value of the 16-bit counter matches the value of the CCR2 buffer register, a compare match interrupt request signal (INTTQ0CC2) is generated.

The CCR2 buffer register cannot be read or written directly.

The CCR2 buffer register is cleared to 0000H after reset because the TQ0CCR2 register is cleared to 0000H.

(5) CCR3 buffer register

This is a 16-bit compare register that compares the value of the 16-bit counter.

When the TQ0CCR3 register is used as a compare register, the value written to the TQ0CCR3 register is transferred to the CCR3 buffer register. If the count value of the 16-bit counter matches the value of the CCR3 buffer register, a compare match interrupt request signal (INTTQ0CC3) is generated.

The CCR3 buffer register cannot be read or written directly.

The CCR3 buffer register is cleared to 0000H after reset because the TQ0CCR3 register is cleared to 0000H.

(6) Edge detector

This circuit detects the valid edges input to the TIQ00 to TIQ03 pins. No edge, rising edge, falling edge, or both the rising and falling edges can be selected as the valid edge by using the TQ0IOC1 and TQ0IOC2 registers.

(7) Output controller

This circuit controls the output of the TOQ00 to TOQ03 pins. The output controller is controlled by the TQ0IOC0 register.

(8) Selector

The selector selects the count clock for the 16-bit counter. One of eight internal clocks or the input of an external event can be selected as the count clock.

8.2.1 Pins used by TMQ0

The input and output pins used by TMQ0 are shown in Table 8-2 below. When using these pins for TMQ0, first set them to port mode. For details, see **Table 4-15 Settings When Pins Are Used for Alternate Functions**.

Table 8-2. Pins Used by TMQ0

Pin No.		Port	TMQ0 Input	TMQ0 Output	Alternate Function
GC	F1				
40	L8	P53	TIQ00 ^{Note}	TOQ00	SIB2/KR3/RTP03/DDO
37	L7	P50	TIQ01	TOQ01	KR0/RTP00
38	K7	P51	TIQ02	TOQ02	KR1/RTP01
39	J7	P52	TIQ03	TOQ03	KR2/RTP02/DDI

Note The TIQ00 pin functions as a capture trigger input, as an external event input, and as an external trigger input.

8.2.2 Interrupts

The following five types of interrupt signals are used by TMQ0:

(1) INTTQ0CC0

This signal is generated when the value of the 16-bit counter matches the value of the CCR0 buffer register, or when a capture signal is input from the TIQ00 pin.

(2) INTTQ0CC1

This signal is generated when the value of the 16-bit counter matches the value of the CCR1 buffer register, or when a capture signal is input from the TIQ01 pin.

(3) INTTQ0CC2

This signal is generated when the value of the 16-bit counter matches the value of the CCR2 buffer register, or when a capture signal is input from the TIQ02 pin.

(4) INTTQ0CC3

This signal is generated when the value of the 16-bit counter matches the value of the CCR3 buffer register, or when a capture signal is input from the TIQ03 pin.

(5) INTTQ0OV

This signal is generated when the 16-bit counter overflows after incrementing up to FFFFH.

8.3 Registers

The registers that control TMQ0 are as follows:

- TMQ0 control register 0 (TQ0CTL0)
- TMQ0 control register 1 (TQ0CTL1)
- TMQ0 I/O control register 0 (TQ0IOC0)
- TMQ0 I/O control register 1 (TQ0IOC1)
- TMQ0 I/O control register 2 (TQ0IOC2)
- TMQ0 option register 0 (TQ0OPT0)
- TMQ0 capture/compare register 0 (TQ0CCR0)
- TMQ0 capture/compare register 1 (TQ0CCR1)
- TMQ0 capture/compare register 2 (TQ0CCR2)
- TMQ0 capture/compare register 3 (TQ0CCR3)
- TMQ0 counter read buffer register (TQ0CNT)

Remark When using the functions of the TIQ00 to TIQ03 and TOQ00 to TOQ03 pins, see **Table 4-15 Settings When Pins Are Used for Alternate Functions.**

(1) TMQ0 control register 0 (TQ0CTL0)

The TQ0CTL0 register is an 8-bit register that controls the operation of TMQ0.

This register can be read or written in 8-bit or 1-bit units.

Reset sets this register to 00H.

The same value can always be written to the TQ0CTL0 register by software.

After reset: 00H	R/W	Address: FFFF540H						
<7>	6	5	4	3	2	1	0	
TQ0CTL0	TQ0CE	0	0	0	0	TQ0CKS2	TQ0CKS1	TQ0CKS0

TQ0CE	TMQ0 operation control
0	TMQ0 operation disabled. Operating clock supply stopped. (TMQ0 reset asynchronously ^{Note.})
1	TMQ0 operation enabled. Operating clock supply started. (TMQ0 operation started.)

TQ0CKS2	TQ0CKS1	TQ0CKS0	Internal count clock selection
0	0	0	f _{xx}
0	0	1	f _{xx} /2
0	1	0	f _{xx} /4
0	1	1	f _{xx} /8
1	0	0	f _{xx} /16
1	0	1	f _{xx} /32
1	1	0	f _{xx} /64
1	1	1	f _{xx} /128

Note The TQ0OPT0.TQ0OVF bit and 16-bit counter are reset at the same time. In addition, the timer output pins (TOQ00 to TOQ03 pins) are reset to the status set by the TQ0IOC0 register when the 16-bit counter is reset.

Cautions

1. Set the TQ0CKS2 to TQ0CKS0 bits when the TQ0CE bit = 0. The TQ0CKS2 to TQ0CKS0 bits can be set at the same time as changing the value of the TQ0CE bit from 0 to 1.
2. Be sure to clear bits 3 to 6 to “0”.

Remark f_{xx}: Main clock frequency

(2) TMQ0 control register 1 (TQ0CTL1)

The TQ0CTL1 register is an 8-bit register that controls the operation of TMQ0.

This register can be read or written in 8-bit or 1-bit units.

Reset sets this register to 00H.

After reset: 00H R/W Address: FFFFF541H

	7	<6>	<5>	4	3	2	1	0
TQ0CTL1	0	TQ0EST	TQ0EEE	0	0	TQ0MD2	TQ0MD1	TQ0MD0

TQ0EST	Software trigger control
0	–
1	Generate a valid signal for external trigger input. <ul style="list-style-type: none"> • In one-shot pulse output mode: A one-shot pulse is output with writing 1 to the TQ0EST bit as the trigger. • In external trigger pulse output mode: A PWM waveform is output with writing 1 to the TQ0EST bit as the trigger.

TQ0EEE	Count clock selection
0	Disable operation with external event count input. (Perform counting using the internal count clock selected by the TQ0CLT0.TQ0CK0 to TQ0CK2 bits.)
1	Enable operation with external event count input. (Perform counting at the valid edge of the external event count input signal.)

TQ0MD2	TQ0MD1	TQ0MD0	Timer mode selection
0	0	0	Interval timer mode
0	0	1	External event count mode
0	1	0	External trigger pulse output mode
0	1	1	One-shot pulse output mode
1	0	0	PWM output mode
1	0	1	Free-running timer mode
1	1	0	Pulse width measurement mode
1	1	1	Setting prohibited

- Cautions**
1. The TQ0EST bit is valid only in the external trigger pulse output mode or one-shot pulse output mode. In any other mode, writing 1 to this bit is ignored.
 2. External event count input is selected in the external event count mode regardless of the value of the TQ0EEE bit.
 3. Set the TQ0EEE and TQ0MD2 to TQ0MD0 bits after stopping the timer (by setting the TQ0CTL0.TQ0CE bit to 0). (However, if the same value is being written, this can be done while the TQ0CE bit is 1.) The operation is not guaranteed if the TQ0EEE and TQ0MD2 to TQ0MD0 bits are rewritten while the TQ0CE bit is 1. If the TQ0EEE and TQ0MD2 to TQ0MD0 bits were mistakenly rewritten while the TQ0CE bit was 1, clear the TQ0CE bit to 0 and then write the bits again.
 4. Be sure to clear bits 3, 4, and 7 to “0”.

(3) TMQ0 I/O control register 0 (TQ0IOC0)

The TQ0IOC0 register is an 8-bit register that controls the timer output (TOQ00 to TOQ03 pins).

This register can be read or written in 8-bit or 1-bit units.

Reset sets this register to 00H.

After reset: 00H R/W Address: FFFFF542H

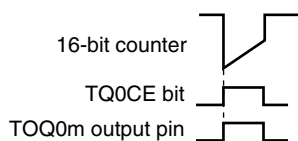
	7	<6>	5	<4>	3	<2>	1	<0>
TQ0IOC0	TQ0OL3	TQ0OE3	TQ0OL2	TQ0OE2	TQ0OL1	TQ0OE1	TQ0OL0	TQ0OE0

TQ0OLm	TOQ0m pin output level setting (m = 0 to 3) ^{Note}
0	TOQ0m pin starts output at high level
1	TOQ0m pin starts output at low level

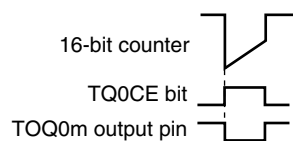
TQ0Em	TOQ0m pin output setting (m = 0 to 3)
0	Timer output disabled <ul style="list-style-type: none"> • When TQ0OLm bit = 0: Low level is output from the TOQ0m pin • When TQ0OLm bit = 1: High level is output from the TOQ0m pin
1	Timer output enabled (a pulse is output from the TOQ0m pin)

Note The output level of the timer output pin (TOQ0m) specified by the TQ0OLm bit is shown below.

• When TQ0OLm bit = 0



• When TQ0OLm bit = 1



Cautions 1. Rewrite the TQ0OLm and TQ0Em bits when the TQ0CTL0.TQ0CE bit = 0. (The same value can be written when the TQ0CE bit = 1.) If rewriting was mistakenly performed, clear the TQ0CE bit to 0 and then set the bits again.

2. Even if the TQ0OLm bit is manipulated when the TQ0CE and TQ0Em bits are 0, the TOQ0m pin output level varies.

Remark m = 0 to 3

(4) TMQ0 I/O control register 1 (TQ0IOC1)

The TQ0IOC1 register is an 8-bit register that controls the specification of the valid edge of the capture trigger input signals (TIQ00 to TIQ03 pins).

This register can be read or written in 8-bit or 1-bit units.

Reset sets this register to 00H.

After reset: 00H R/W Address: FFFF543H

	7	6	5	4	3	2	1	0
TQ0IOC1	TQ0IS7	TQ0IS6	TQ0IS5	TQ0IS4	TQ0IS3	TQ0IS2	TQ0IS1	TQ0IS0

TQ0IS7	TQ0IS6	Capture trigger input signal (TIQ03 pin) valid edge setting
0	0	No edge detection (capture operation invalid)
0	1	Detection of rising edge
1	0	Detection of falling edge
1	1	Detection of both edges

TQ0IS5	TQ0IS4	Capture trigger input signal (TIQ02 pin) valid edge detection
0	0	No edge detection (capture operation invalid)
0	1	Detection of rising edge
1	0	Detection of falling edge
1	1	Detection of both edges

TQ0IS3	TQ0IS2	Capture trigger input signal (TIQ01 pin) valid edge setting
0	0	No edge detection (capture operation invalid)
0	1	Detection of rising edge
1	0	Detection of falling edge
1	1	Detection of both edges

TQ0IS1	TQ0IS0	Capture trigger input signal (TIQ00 pin) valid edge setting
0	0	No edge detection (capture operation invalid)
0	1	Detection of rising edge
1	0	Detection of falling edge
1	1	Detection of both edges

- Cautions**
1. Rewrite the TQ0IS7 to TQ0IS0 bits when the TQ0CTL0.TQ0CE bit = 0. (The same value can be written when the TQ0CE bit = 1.) If rewriting was mistakenly performed, clear the TQ0CE bit to 0 and then set the bits again.
 2. The TQ0IS7 to TQ0IS0 bits are valid only in the free-running timer mode and the pulse width measurement mode. In all other modes, a capture operation is not possible.

(5) TMQ0 I/O control register 2 (TQ0IOC2)

The TQ0IOC2 register is an 8-bit register that controls the specification of the valid edge of the external event count input signal (TIQ00 pin) and external trigger input signal (TIQ00 pin).

This register can be read or written in 8-bit or 1-bit units.

Reset sets this register to 00H.

After reset: 00H		R/W	Address: FFFFF544H					
	7	6	5	4	3	2	1	0
TQ0IOC2	0	0	0	0	TQ0EES1	TQ0EES0	TQ0ETS1	TQ0ETS0

TQ0EES1	TQ0EES0	External event count input signal (TIQ00 pin) valid edge setting
0	0	No edge detection (external event count invalid)
0	1	Detection of rising edge
1	0	Detection of falling edge
1	1	Detection of both edges

TQ0ETS1	TQ0ETS0	External trigger input signal (TIQ00 pin) valid edge setting
0	0	No edge detection (external trigger invalid)
0	1	Detection of rising edge
1	0	Detection of falling edge
1	1	Detection of both edges

- Cautions**
1. Rewrite the TQ0EES1, TQ0EES0, TQ0ETS1, and TQ0ETS0 bits when the TQ0CTL0.TQ0CE bit = 0. (The same value can be written when the TQ0CE bit = 1.) If rewriting was mistakenly performed, clear the TQ0CE bit to 0 and then set the bits again.
 2. The TQ0EES1 and TQ0EES0 bits are valid only when the TQ0CTL1.TQ0EEE bit = 1 or when the external event count mode (TQ0CTL1.TQ0MD2 to TQ0CTL1.TQ0MD0 bits = 001) has been set.
 3. The TQ0ETS1 and TQ0ETS0 bits are valid only when the external trigger pulse output mode (TQ0CTL1.TQ0MD2 to TQ0CTL1.TQ0MD0 bits = 010) or the one-shot pulse output mode (TQ0CTL1.TQ0MD2 to TQ0CTL1.TQ0MD0 = 011) is set.

(6) TMQ0 option register 0 (TQ0OPT0)

The TQ0OPT0 register is an 8-bit register that specifies the capture/compare operation and indicates the detection of an overflow.

This register can be read or written in 8-bit or 1-bit units.

Reset sets this register to 00H.

After reset: 00H R/W Address: FFFFF545H

	7	6	5	4	3	2	1	<0>
TQ0OPT0	TQ0CCS3	TQ0CCS2	TQ0CCS1	TQ0CCS0	0	0	0	TQ0OVF

TQ0CCSm	TQ0CCRm register capture/compare selection
0	Compare register selected
1	Capture register selected
The TQ0CCSm bit setting is valid only in the free-running timer mode.	

TQ0OVF	TMQ0 overflow detection
0	TQ0OVF bit 0 written or TQ0CTL0.TQ0CE bit = 0
1	Overflow occurred
<ul style="list-style-type: none"> • The TQ0OVF bit is set when the 16-bit counter count value overflows from FFFFH to 0000H in the free-running timer mode or the pulse width measurement mode. • An interrupt request signal (INTTQ0OV) is generated at the same time that the TQ0OVF bit is set to 1. The INTTQ0OV signal is not generated in modes other than the free-running timer mode and the pulse width measurement mode. • The TQ0OVF bit is not cleared even when the TQ0OVF bit or the TQ0OPT0 register are read when the TQ0OVF bit = 1. • The TQ0OVF bit can be both read and written, but the TQ0OVF bit cannot be set to 1 by software. Writing 1 has no influence on the operation of TMQ0. 	

Cautions

1. Rewrite the TQ0CCS3 to TQ0CCS0 bits when the TQ0CTL0.TQ0CE bit = 0. (The same value can be written when the TQ0CE bit = 1.) If rewriting was mistakenly performed, clear the TQ0CE bit to 0 and then set the bits again.

2. Be sure to clear bits 1 to 3 to "0".

Remark m = 0 to 3

(7) TMQ0 capture/compare register 0 (TQ0CCR0)

The TQ0CCR0 register can be used as a capture register or a compare register depending on the mode.

This register can be selected as a capture register or a compare register only in the free-running timer mode, according to the setting of the TQ0OPT0.TQ0CCS0 bit. In any other mode, this register can be used only as a compare register.

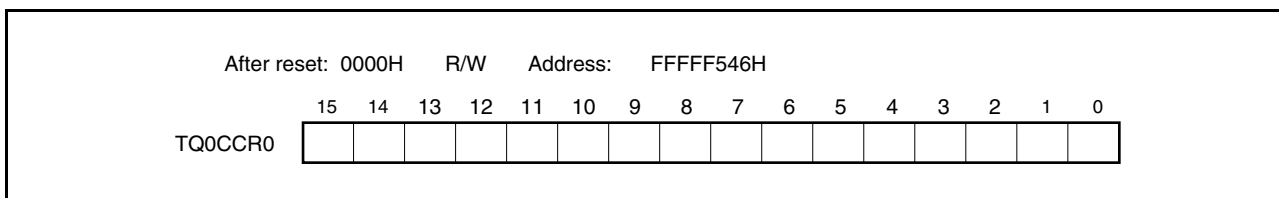
The TQ0CCR0 register can be read or written during operation.

This register can be read or written in 16-bit units.

Reset sets this register to 0000H.

Caution Accessing the TQ0CCR0 register is prohibited in the following statuses. Moreover, if the system is in the wait status, the only way to cancel the wait status is to execute a reset. For details, see 3.4.9 (1) Accessing special on-chip peripheral I/O registers.

- When the CPU operates on the subclock and main clock oscillation is stopped
- When the CPU operates on the internal oscillator clock

**(a) Function as compare register**

The TQ0CCR0 register can be rewritten even when the TQ0CTL0.TQ0CE bit = 1.

The set value of the TQ0CCR0 register is transferred to the CCR0 buffer register. When the value of the 16-bit counter matches the value of the CCR0 buffer register, a compare match interrupt request signal (INTTQ0CC0) is generated. If TOQ00 pin output is enabled at this time, the output of the TOQ00 pin is inverted (For details, see the descriptions of each operating mode.).

When the TQ0CCR0 register is used as a cycle register in the interval timer mode, external event count mode, external trigger pulse output mode, one-shot pulse output mode, or PWM output mode, the value of the 16-bit counter is cleared (0000H) if its count value matches the value of the CCR0 buffer register.

(b) Function as capture register

When the TQ0CCR0 register is used as a capture register in the free-running timer mode, the count value of the 16-bit counter is stored in the TQ0CCR0 register if the valid edge of the capture trigger input pin (TIQ00 pin) is detected. In the pulse-width measurement mode, the count value of the 16-bit counter is stored in the TQ0CCR0 register and the 16-bit counter is cleared (0000H) if the valid edge of the capture trigger input pin (TIQ00 pin) is detected.

Even if the capture operation and reading the TQ0CCR0 register conflict, the correct value of the TQ0CCR0 register can be read.

The following table shows the functions of the capture/compare register in each operation mode, and how to write data to the compare register.

Table 8-3. Function of Capture/Compare Register in Each Mode and How to Write Compare Register

Operation Mode	Capture/Compare Register	How to Write Compare Register
Interval timer	Compare register	Anytime write
External event counter	Compare register	Anytime write
External trigger pulse output	Compare register	Batch write
One-shot pulse output	Compare register	Anytime write
PWM output	Compare register	Batch write
Free-running timer	Capture/compare register	Anytime write
Pulse width measurement	Capture register	–

Remark For details about anytime write and batch write, see 8.4 (2) **Anytime write and batch write**.

(8) TMQ0 capture/compare register 1 (TQ0CCR1)

The TQ0CCR1 register can be used as a capture register or a compare register depending on the mode.

This register can be selected as a capture register or a compare register only in the free-running timer mode, according to the setting of the TQ0OPT0.TQ0CCS1 bit. In the pulse width measurement mode, the TQ0CCR1 register can be used only as a capture register. In any other mode, this register can be used only as a compare register.

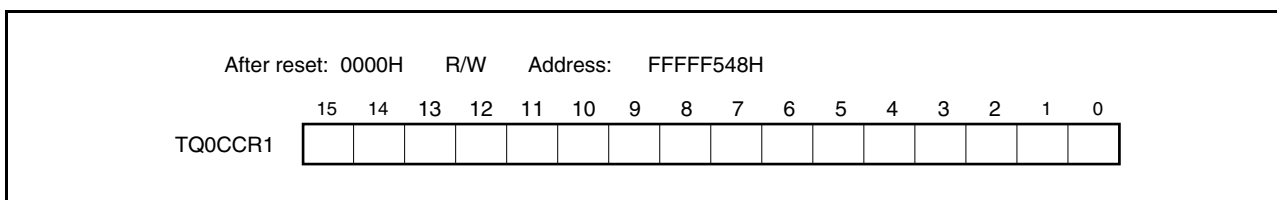
The TQ0CCR1 register can be read or written during operation.

This register can be read or written in 16-bit units.

Reset sets this register to 0000H.

Caution Accessing the TQ0CCR1 register is prohibited in the following statuses. Moreover, if the system is in the wait status, the only way to cancel the wait status is to execute a reset. For details, see 3.4.9 (1) Accessing special on-chip peripheral I/O registers.

- When the CPU operates on the subclock and main clock oscillation is stopped
- When the CPU operates on the internal oscillator clock

**(a) Function as compare register**

The TQ0CCR1 register can be rewritten even when the TQ0CTL0.TQ0CE bit = 1.

The set value of the TQ0CCR1 register is transferred to the CCR1 buffer register. When the value of the 16-bit counter matches the value of the CCR1 buffer register, a compare match interrupt request signal (INTTQ0CC1) is generated. If TOQ01 pin output is enabled at this time, the output of the TOQ01 pin is inverted (For details, see the descriptions of each operating mode.).

(b) Function as capture register

When the TQ0CCR1 register is used as a capture register in the free-running timer mode, the count value of the 16-bit counter is stored in the TQ0CCR1 register if the valid edge of the capture trigger input pin (TIQ01 pin) is detected. In the pulse-width measurement mode, the count value of the 16-bit counter is stored in the TQ0CCR1 register and the 16-bit counter is cleared (0000H) if the valid edge of the capture trigger input pin (TIQ01 pin) is detected.

Even if the capture operation and reading the TQ0CCR1 register conflict, the correct value of the TQ0CCR1 register can be read.

The following table shows the functions of the capture/compare register in each operation mode, and how to write data to the compare register.

Table 8-4. Function of Capture/Compare Register in Each Mode and How to Write Compare Register

Operation Mode	Capture/Compare Register	How to Write Compare Register
Interval timer	Compare register	Anytime write
External event counter	Compare register	Anytime write
External trigger pulse output	Compare register	Batch write
One-shot pulse output	Compare register	Anytime write
PWM output	Compare register	Batch write
Free-running timer	Capture/compare register	Anytime write
Pulse width measurement	Capture register	–

Remark For details about anytime write and batch write, see 8.4 (2) **Anytime write and batch write**.

(9) TMQ0 capture/compare register 2 (TQ0CCR2)

The TQ0CCR2 register can be used as a capture register or a compare register depending on the mode.

This register can be selected as a capture register or a compare register only in the free-running timer mode, according to the setting of the TQ0OPT0.TQ0CCS2 bit. In the pulse width measurement mode, the TQ0CCR2 register can be used only as a capture register. In any other mode, this register can be used only as a compare register.

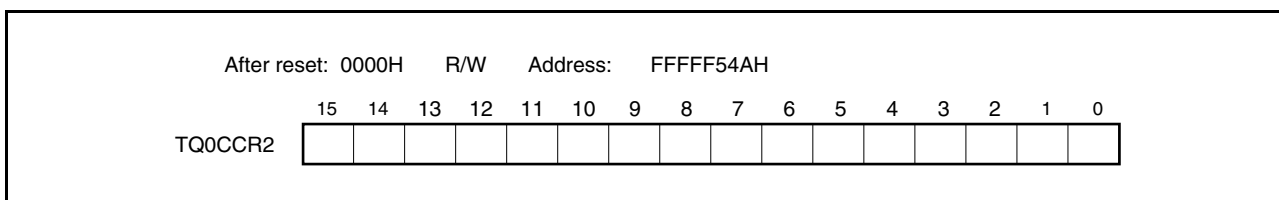
The TQ0CCR2 register can be read or written during operation.

This register can be read or written in 16-bit units.

Reset sets this register to 0000H.

Caution Accessing the TQ0CCR2 register is prohibited in the following statuses. Moreover, if the system is in the wait status, the only way to cancel the wait status is to execute a reset. For details, see 3.4.9 (1) Accessing special on-chip peripheral I/O registers.

- When the CPU operates on the subclock and main clock oscillation is stopped
- When the CPU operates on the internal oscillator clock

**(a) Function as compare register**

The TQ0CCR2 register can be rewritten even when the TQ0CTL0.TQ0CE bit = 1.

The set value of the TQ0CCR2 register is transferred to the CCR2 buffer register. When the value of the 16-bit counter matches the value of the CCR2 buffer register, a compare match interrupt request signal (INTTQ0CC2) is generated. If TOQ02 pin output is enabled at this time, the output of the TOQ02 pin is inverted (For details, see the descriptions of each operating mode.).

(b) Function as capture register

When the TQ0CCR2 register is used as a capture register in the free-running timer mode, the count value of the 16-bit counter is stored in the TQ0CCR2 register if the valid edge of the capture trigger input pin (TIQ02 pin) is detected. In the pulse-width measurement mode, the count value of the 16-bit counter is stored in the TQ0CCR2 register and the 16-bit counter is cleared (0000H) if the valid edge of the capture trigger input pin (TIQ02 pin) is detected.

Even if the capture operation and reading the TQ0CCR2 register conflict, the correct value of the TQ0CCR2 register can be read.

The following table shows the functions of the capture/compare register in each operation mode, and how to write data to the compare register.

Table 8-5. Function of Capture/Compare Register in Each Mode and How to Write Compare Register

Operation Mode	Capture/Compare Register	How to Write Compare Register
Interval timer	Compare register	Anytime write
External event counter	Compare register	Anytime write
External trigger pulse output	Compare register	Batch write
One-shot pulse output	Compare register	Anytime write
PWM output	Compare register	Batch write
Free-running timer	Capture/compare register	Anytime write
Pulse width measurement	Capture register	—

Remark For details about anytime write and batch write, see 8.4 (2) **Anytime write and batch write**.

(10) TMQ0 capture/compare register 3 (TQ0CCR3)

The TQ0CCR3 register can be used as a capture register or a compare register depending on the mode.

This register can be selected as a capture register or a compare register only in the free-running timer mode, according to the setting of the TQ0OPT0.TQ0CCS3 bit. In the pulse width measurement mode, the TQ0CCR3 register can be used only as a capture register. In any other mode, this register can be used only as a compare register.

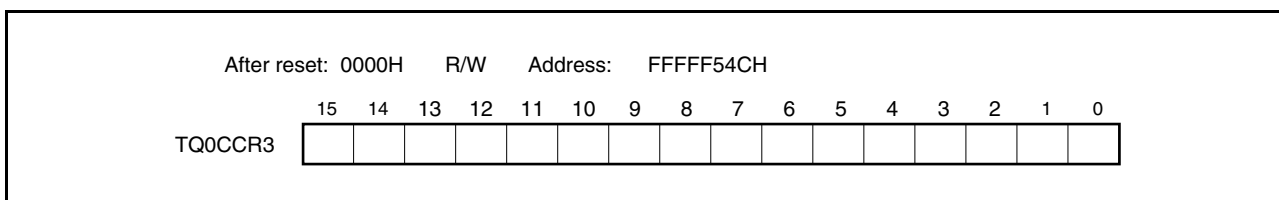
The TQ0CCR3 register can be read or written during operation.

This register can be read or written in 16-bit units.

Reset sets this register to 0000H.

Caution Accessing the TQ0CCR3 register is prohibited in the following statuses. Moreover, if the system is in the wait status, the only way to cancel the wait status is to execute a reset. For details, see 3.4.9 (1) Accessing special on-chip peripheral I/O registers.

- When the CPU operates on the subclock and main clock oscillation is stopped
- When the CPU operates on the internal oscillator clock

**(a) Function as compare register**

The TQ0CCR3 register can be rewritten even when the TQ0CTL0.TQ0CE bit = 1.

The set value of the TQ0CCR3 register is transferred to the CCR3 buffer register. When the value of the 16-bit counter matches the value of the CCR3 buffer register, a compare match interrupt request signal (INTTQ0CC3) is generated. If TOQ03 pin output is enabled at this time, the output of the TOQ03 pin is inverted (For details, see the descriptions of each operating mode.).

(b) Function as capture register

When the TQ0CCR3 register is used as a capture register in the free-running timer mode, the count value of the 16-bit counter is stored in the TQ0CCR3 register if the valid edge of the capture trigger input pin (TIQ03 pin) is detected. In the pulse-width measurement mode, the count value of the 16-bit counter is stored in the TQ0CCR3 register and the 16-bit counter is cleared (0000H) if the valid edge of the capture trigger input pin (TIQ03 pin) is detected.

Even if the capture operation and reading the TQ0CCR3 register conflict, the correct value of the TQ0CCR3 register can be read.

The following table shows the functions of the capture/compare register in each operation mode, and how to write data to the compare register.

Table 8-6. Function of Capture/Compare Register in Each Mode and How to Write Compare Register

Operation Mode	Capture/Compare Register	How to Write Compare Register
Interval timer	Compare register	Anytime write
External event counter	Compare register	Anytime write
External trigger pulse output	Compare register	Batch write
One-shot pulse output	Compare register	Anytime write
PWM output	Compare register	Batch write
Free-running timer	Capture/compare register	Anytime write
Pulse width measurement	Capture register	—

Remark For details about anytime write and batch write, see 8.4 (2) **Anytime write and batch write**.

(11) TMQ0 counter read buffer register (TQ0CNT)

The TQ0CNT register is a read buffer register from which the value of the 16-bit counter can be read.

If this register is read when the TQ0CTL0.TQ0CE bit = 1, the count value of the 16-bit timer can be read.

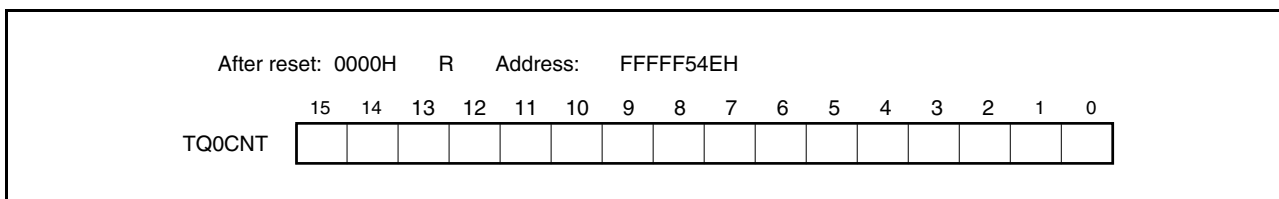
This register is read-only, in 16-bit units.

The value of the TQ0CNT register is cleared to 0000H when the TQ0CE bit = 0. If the TQ0CNT register is read at this time, the value of the 16-bit counter (FFFFH) is not read, but 0000H is read.

Because the TQ0CE bit is cleared to 0, the value of the TQ0CNT register is cleared to 0000H after reset.

Caution Accessing the TQ0CNT register is prohibited in the following statuses. Moreover, if the system is in the wait status, the only way to cancel the wait status is to execute a reset. For details, see 3.4.9 (1) **Accessing special on-chip peripheral I/O registers**.

- When the CPU is operating on the subclock and main clock oscillation is stopped
- When the CPU is operating on the internal clock



8.4 Operations

TMQ0 can execute the following operations:

Table 8-7. TMQ0 Operating Modes

Operating Mode	TQ0CTL1.TQ0EST Bit (Software Trigger Bit)	TIQ00 Pin (External Trigger Input)	Capture/Compare Register Setting	Compare Register Write	Count Clock
Interval timer mode	Invalid	Invalid	Compare only	Anytime write	Internal/external
External event count mode ^{Note 1}	Invalid	Invalid	Compare only	Anytime write	External
External trigger pulse output mode ^{Note 2}	Valid	Valid	Compare only	Batch write	Internal
One-shot pulse output mode ^{Note 2}	Valid	Valid	Compare only	Anytime write	Internal
PWM output mode	Invalid	Invalid	Compare only	Batch write	Internal/external
Free-running timer mode	Invalid	Invalid	Can be switched	Anytime write	Internal/external
Pulse width measurement mode ^{Note 2}	Invalid	Invalid	Capture only	Not applicable	Internal

- Notes**
1. When using the external event count mode, specify that the valid edge of the TIQ00 pin capture trigger input is not detected (by clearing the TQ0IOC1.TQ0IS1 and TQ0IOC1.TQ0IS0 bits to 0).
 2. When using the external trigger pulse output mode, one-shot pulse output mode, and pulse width measurement mode, select the internal clock as the count clock (by clearing the TQ0CTL1.TQ0EEE bit to 0).

(1) Basic counter operation

The basic operation of the 16-bit counter is described below. For more details, see the descriptions of each operating mode.

(a) Starting counting

TMQ0 starts counting from FFFFH in all operating modes, and increments as follows: FFFFH, 0000H, 0001H, 0002H, 0003H....

(b) Clearing TMQ0

TMQ0 is cleared to 0000H when its value matches the value of the compare register or when the value of TMQ0 is captured upon the input of a valid capture trigger signal.

Note that when TMQ0 increments from FFFFH to 0000H after it starts counting and immediately following an overflow, it does not mean that TMQ0 has been cleared. Consequently, the INTTQ0CC_m interrupt is not generated in this case (m = 0 to 3).

(c) Overflow

TMQ0 overflows after it increments from FFFFH to 0000H in free-running timer mode and pulse width measurement mode. An overflow sets the TQ0OPT0.TQ0OVF bit to 1 and generates an interrupt request signal (INTTQ0OV). Note that INTTQ0OV will not be generated in the following cases:

- When TMQ0 has just started counting.
- When the compare value at which TMQ0 is cleared is specified as FFFFH.
- In pulse width measurement mode, when TMQ0 increments from FFFFH to 0000H after being cleared when its value of FFFFH was captured.

Caution After the INTTQ0OV overflow interrupt request signal occurs, be sure to confirm that the overflow flag (TQ0OVF) is set to 1.

(d) Reading TMQ0 while it is incrementing

TMQ0 can be read while it is incrementing by using the TQ0CNT register.

Specifically, the value of TMQ0 can be read by reading the TQ0CNT register while the TQ0CLT0.TQ0CE bit is 1. Note, however, that when the TQ0CLT0.TQ0CE bit is 0, the value of TMQ0 is always FFFFH and the value of the TQ0CNT register is always 0000H.

(2) Anytime write and batch write

The TQ0CCR0 to TQ0CCR3 registers can be written even while TMQ0 is operating (that is, while the TQ0CTL0.TQ0CE bit is 1), but the way the CCR0 to CCR3 buffer registers are written differs depending on the mode. The two writing methods are anytime write and batch write.

(a) Anytime write

This writing method is used to transfer data from the TQ0CCR0 to TQ0CCR3 registers to the CCR0 to CCR3 buffer registers any time while TMQ0 is operating.

Figure 8-2. Flowchart Showing Basic Anytime Write Operation

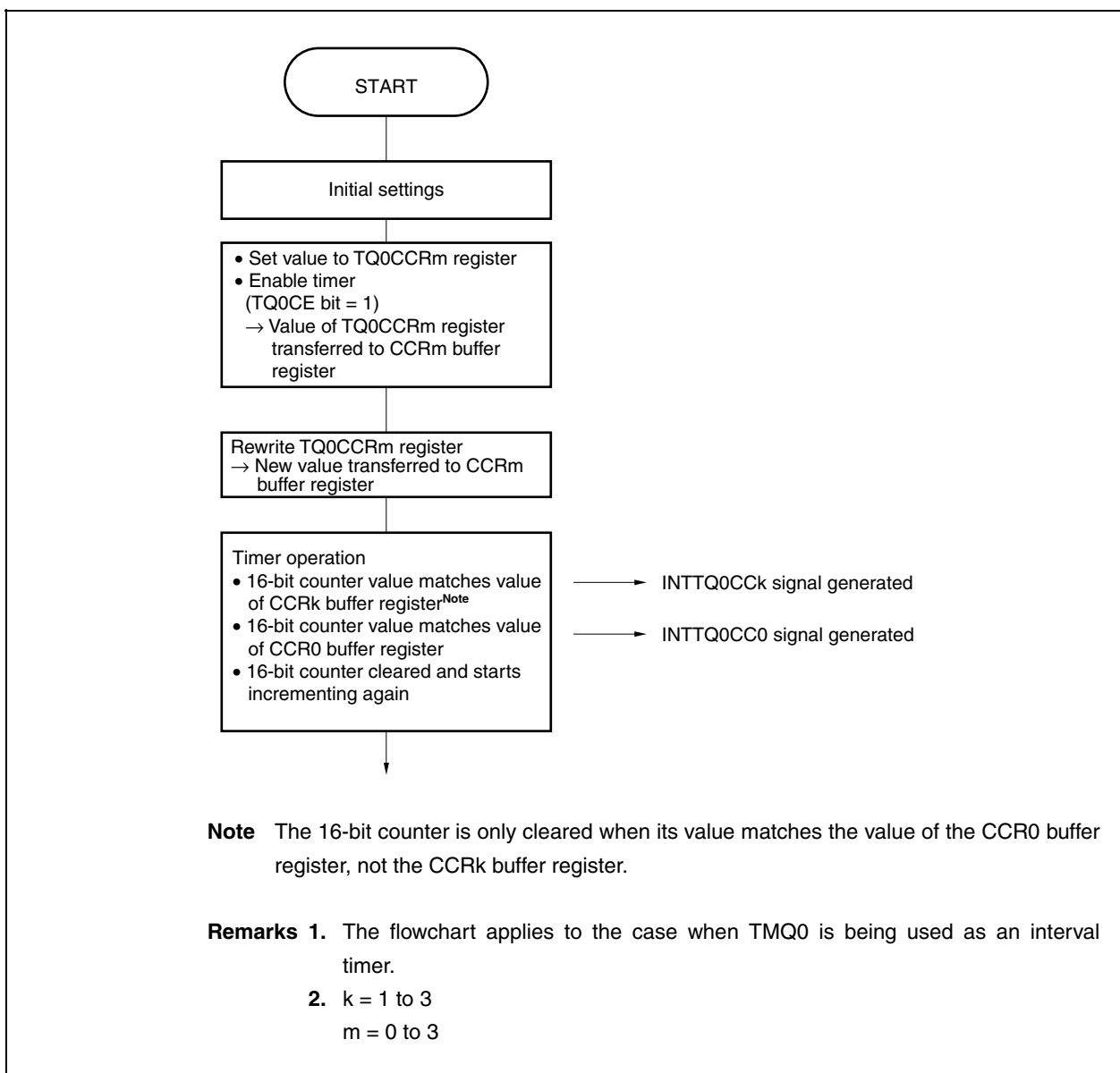
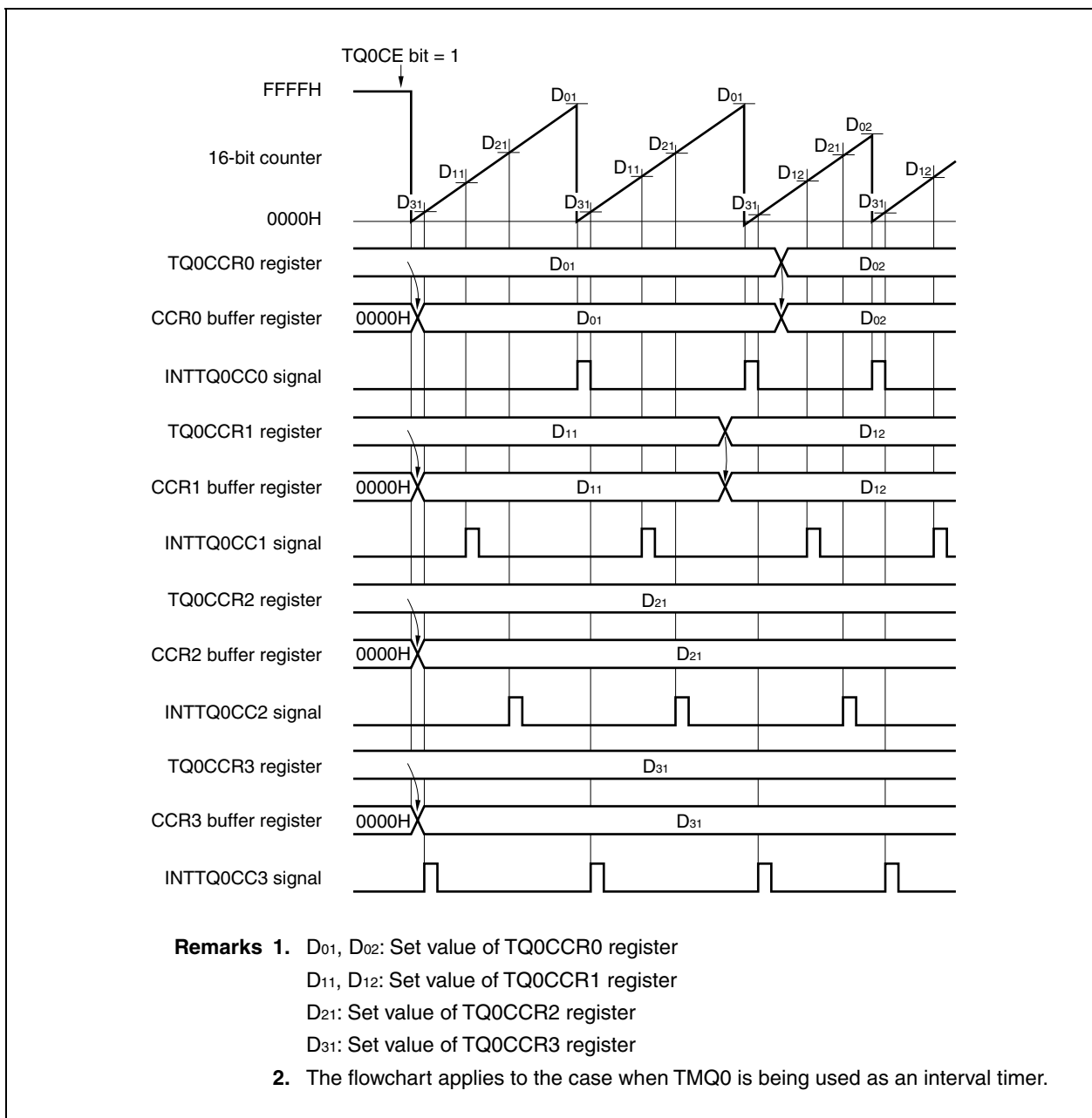


Figure 8-3. Anytime Write Timing



(b) Batch write

This writing method is used to transfer data from the TQ0CCR0 to TQ0CCR3 registers to the CCR0 to CCR3 buffer registers all at once while TMQ0 is operating. The data is transferred when the value of the 16-bit counter matches the value of the CCR0 buffer register. Transfer is enabled by writing to the TQ0CCR1 register. Whether transfer of the next data is enabled or not depends on whether the TQ0CCR1 register has been written.

To specify the value of the rewritten TQ0CCR0 to TQ0CCR3 registers as the 16-bit counter compare value (that is, the value to be transferred to the CCR0 to CCR3 buffer registers), the TQ0CCR0 register must be rewritten before the value of the 16-bit counter matches the value of the CCR0 buffer register, and then the TQ0CCR1 register must be written. The value of the TQ0CCR0 to TQ0CCR3 registers is then transferred to the CCR0 to CCR3 buffer registers when the value of the 16-bit counter matches the value of the CCR0 buffer register. Note that even if you wish to rewrite one of the TQ0CCR0, TQ0CCR2 and TQ0CCR3 register values, you must also write the same value to the TQ0CCR1 register (that is, the same value as the value already specified for the TQ0CCR1 register).

Figure 8-4. Flowchart Showing Basic Batch Write Operation

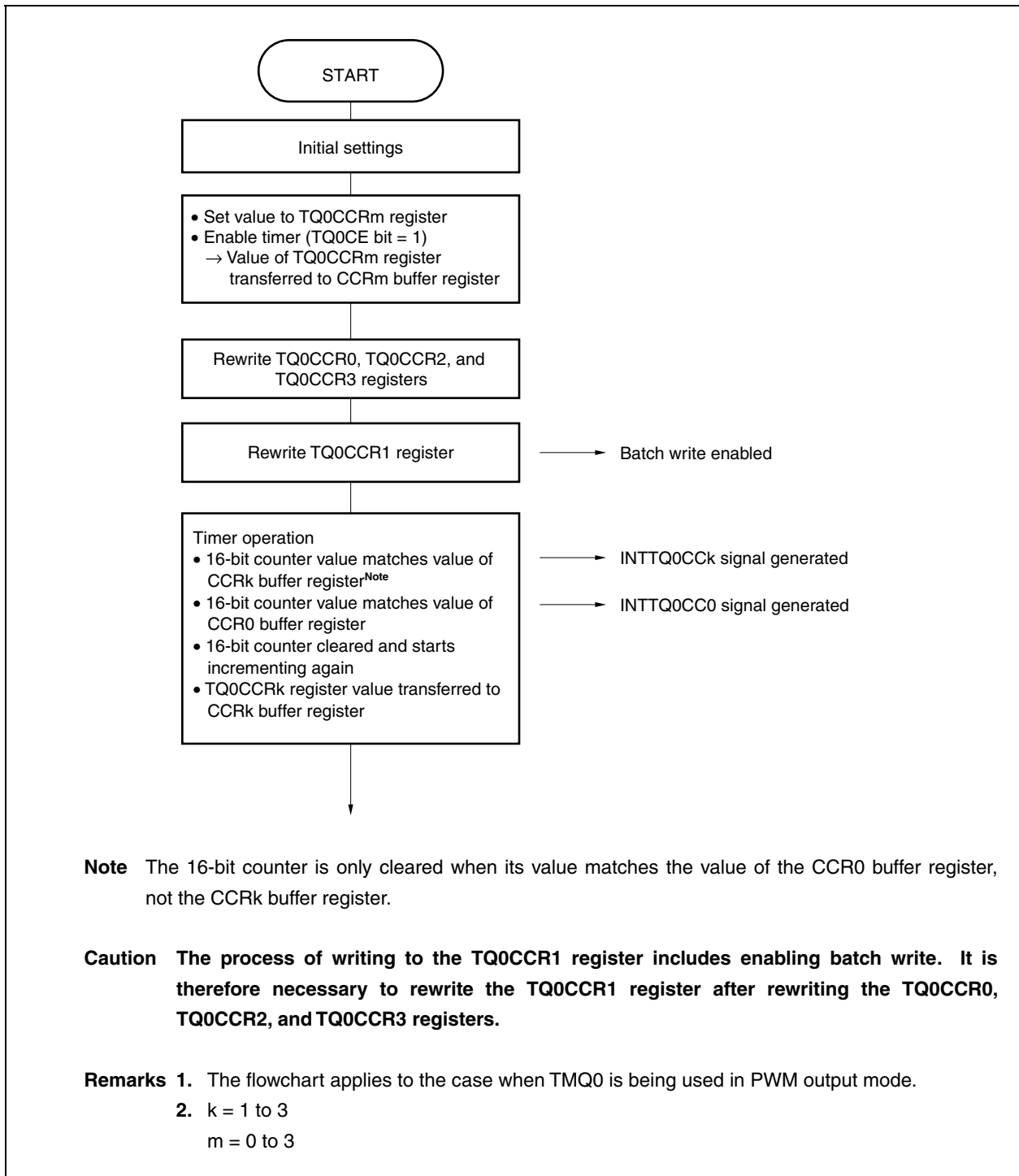
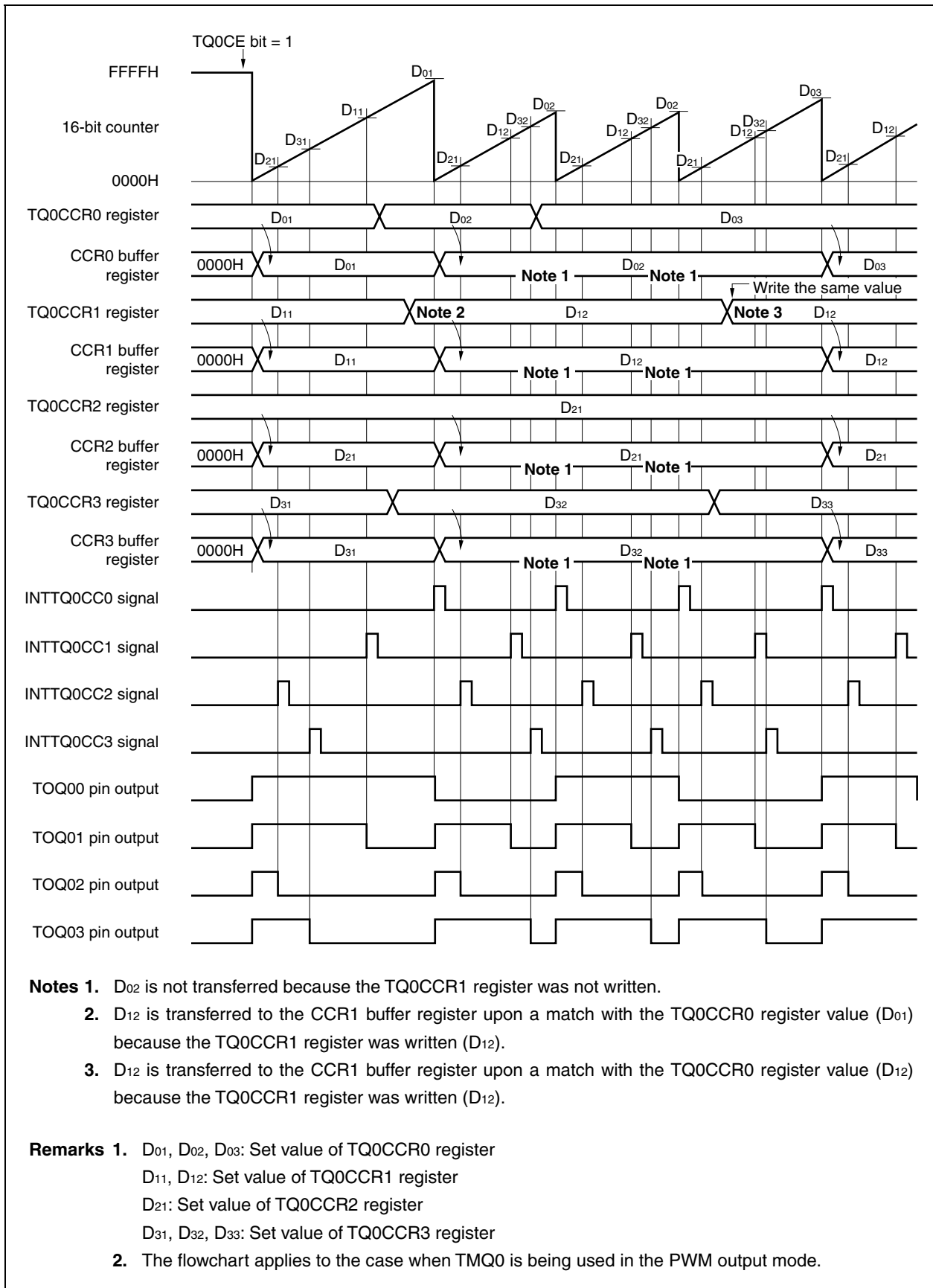


Figure 8-5. Batch Write Timing



8.4.1 Interval timer mode (TQ0MD2 to TQ0MD0 bits = 000)

In the interval timer mode, setting the TQ0CTL0.TQ0CE bit to 1 generates an interrupt request signal (INTTQ0CC0) at a specified interval. Setting the TQ0CE bit to 1 can also start the timer, which then outputs a square wave whose half cycle is equal to the interval from the TOQ00 pin.

Usually, the TQ0CCR1 to TQ0CCR3 registers are not used in the interval timer mode. Mask interrupts from these registers by setting the interrupt mask flags (TQ0CCMK1 to TQ0CCMK3).

- Remarks 1.** For how to set the TOQ00 pin, see **Table 8-2 Pins Used by TMQ0** and **Table 4-15 Settings When Pins Are Used for Alternate Functions**.
- 2.** For how to enable the INTTQ0CC0 interrupt signal, see **CHAPTER 22 INTERRUPT SERVICING/ EXCEPTION PROCESSING FUNCTION**.

Figure 8-6. Configuration of Interval Timer

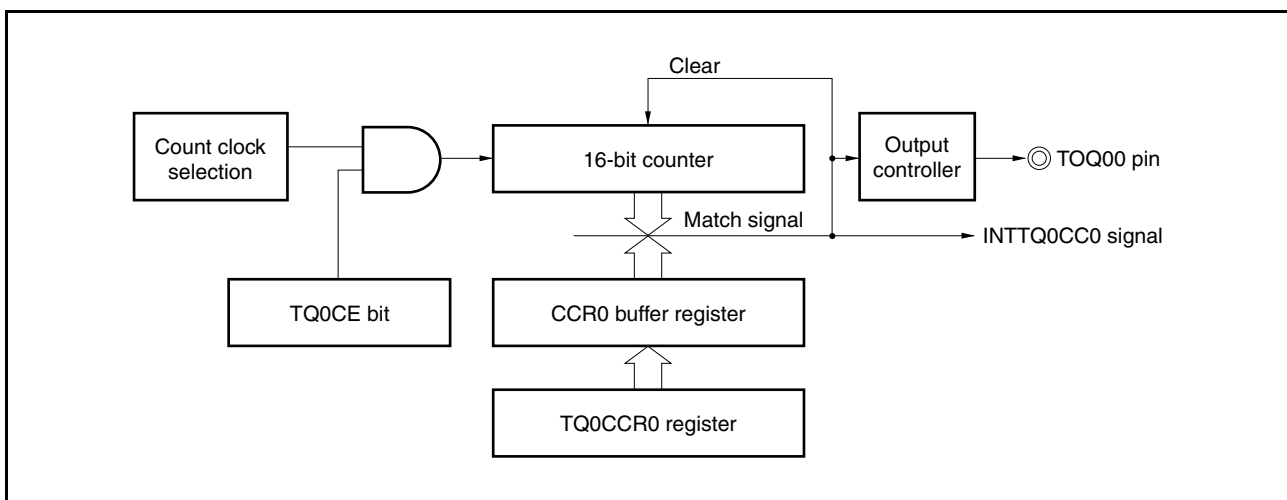
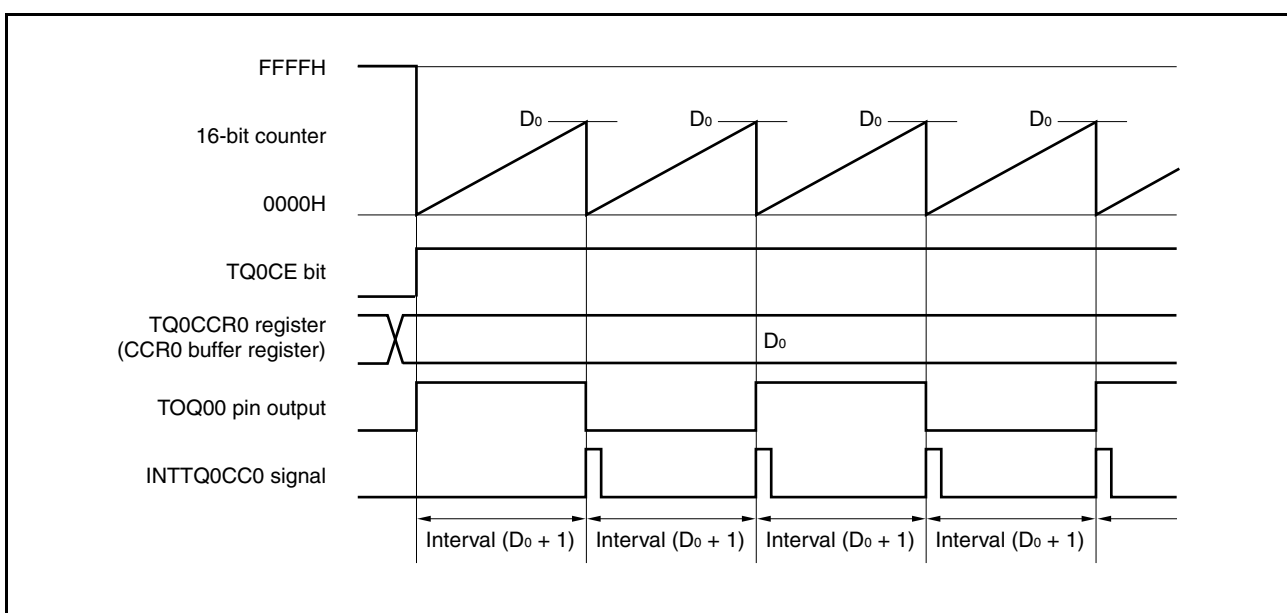


Figure 8-7. Basic Timing of Operation in Interval Timer Mode



When the TQ0CE bit is set to 1, the value of the 16-bit counter is cleared from FFFFH to 0000H in synchronization with the count clock, and the counter starts incrementing. At this time, the output of the TOQ00 pin is inverted and the set value of the TQ0CCR0 register is transferred to the CCR0 buffer register.

When the value of the 16-bit counter matches the value of the CCR0 buffer register, the 16-bit counter is cleared to 0000H, the output of the TOQ00 pin is inverted, and a compare match interrupt request signal (INTTQ0CC0) is generated.

The interval can be calculated by using the following expression:

$$\text{Interval} = (\text{Set value of TQ0CCR0 register} + 1) \times \text{Count clock cycle}$$

An example of the register settings when the interval timer mode is used is shown in the figure below.

Figure 8-8. Register Settings in Interval Timer Mode (1/3)

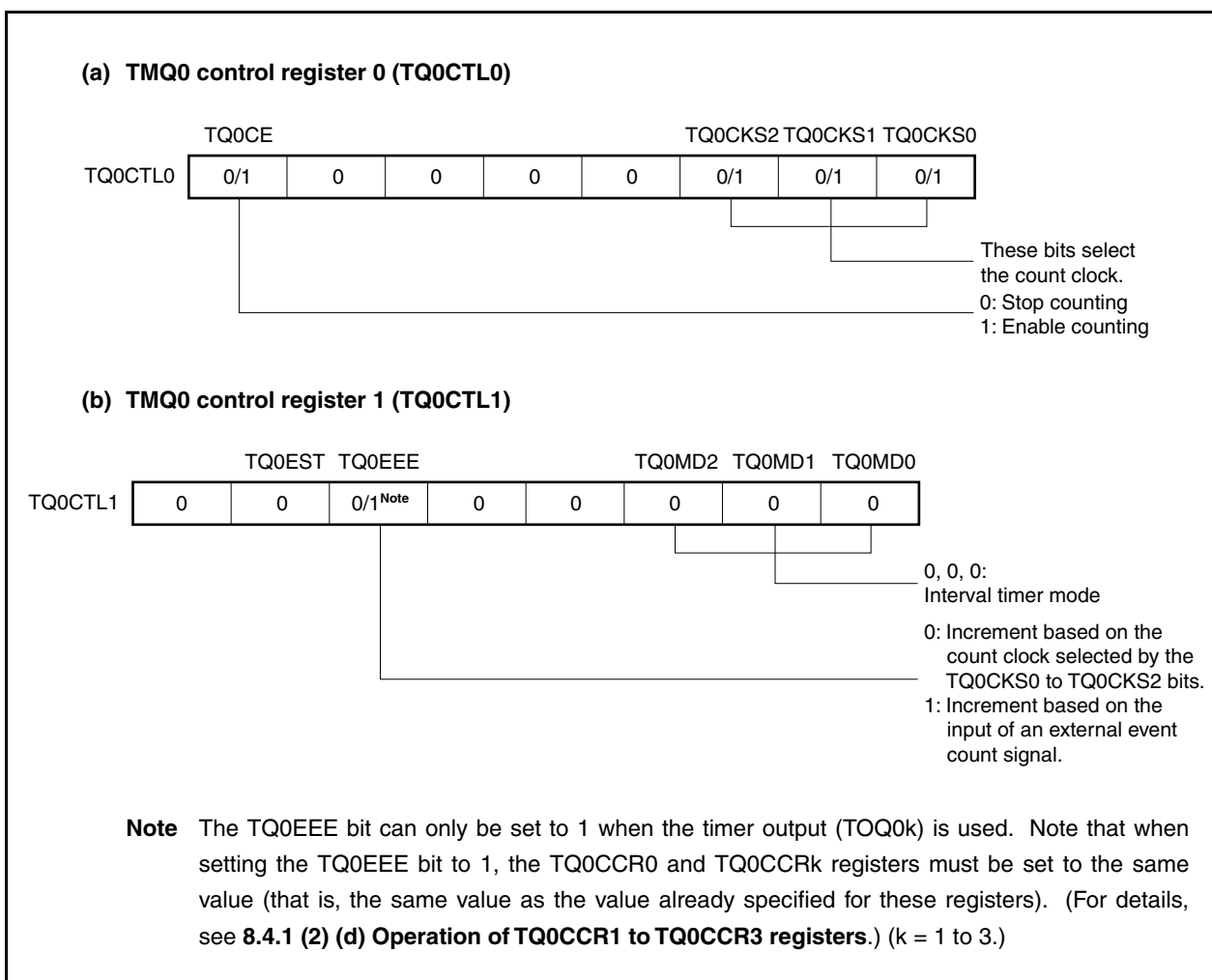


Figure 8-8. Register Settings in Interval Timer Mode (2/3)

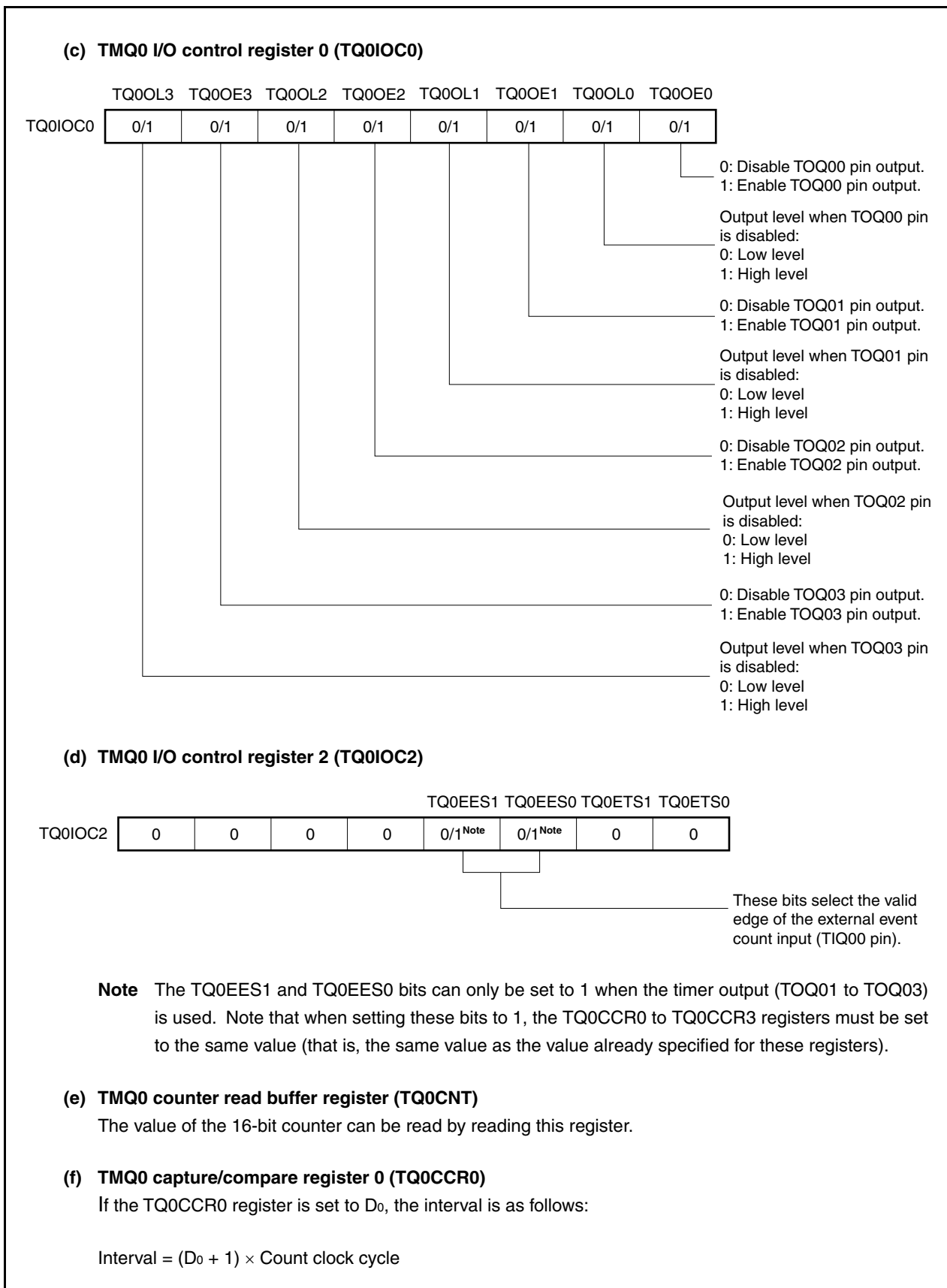


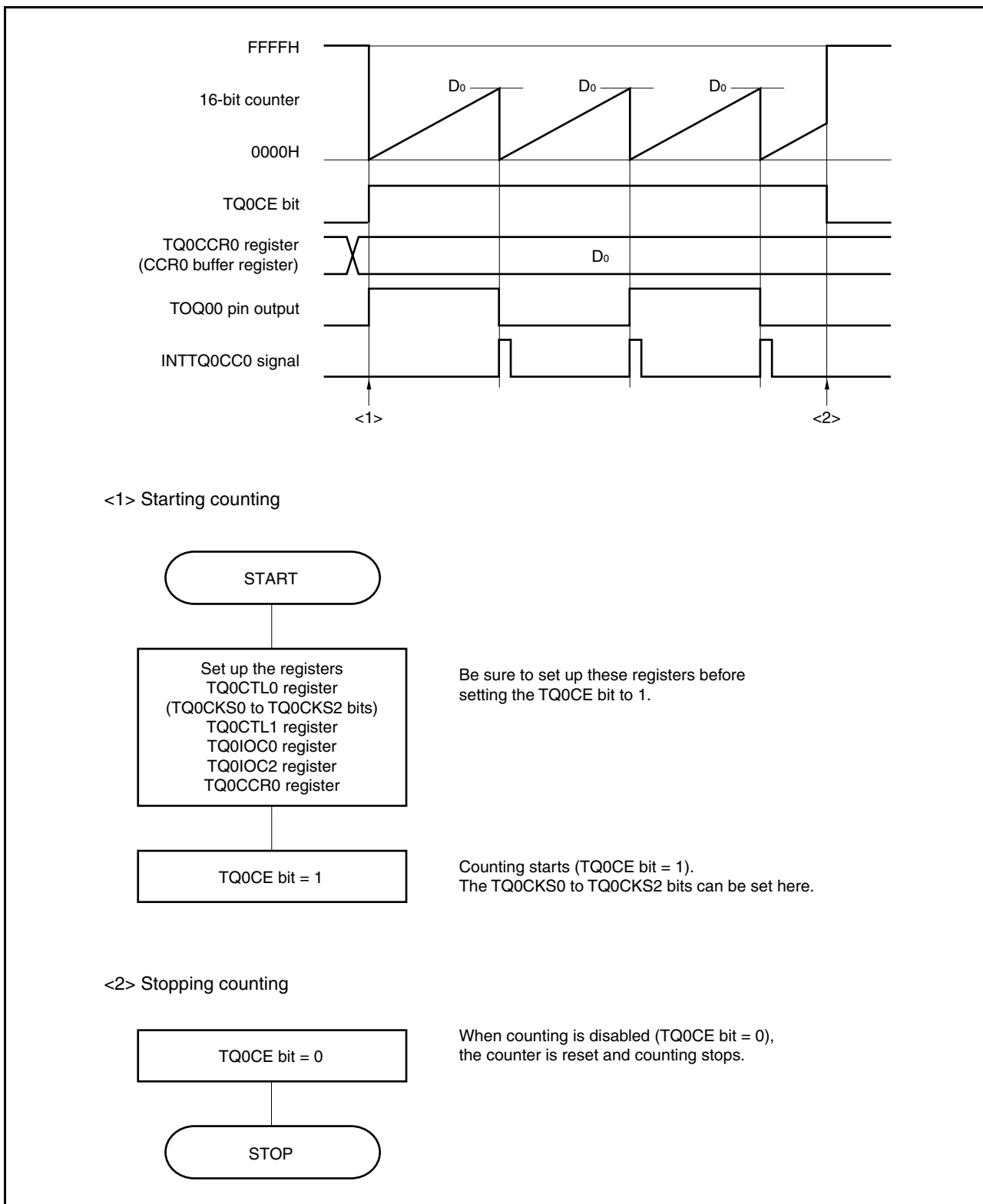
Figure 8-8. Register Settings in Interval Timer Mode (3/3)**(g) TMQ0 capture/compare registers 1 to 3 (TQ0CCR1 to TQ0CCR3)**

Usually, the TQ0CCR1 to TQ0CCR3 registers are not used in the interval timer mode. However, because the set values of the TQ0CCR1 to TQ0CCR3 registers are transferred to the CCR1 to CCR3 buffer registers and a compare match interrupt request signal (INTTQ0CC1 to INTTQ0CC3) is generated when the value of the 16-bit counter matches the value of the CCR1 to CCR3 buffer registers, interrupts from these registers must be masked by setting the interrupt mask flags (TQ0CCMK1 to TQ0CCMK3).

Remark TMQ0 I/O control register 1 (TQ0IOC1) and TMQ0 option register 0 (TQ0OPT0) are not used in the interval timer mode.

(1) Operations in interval timer mode

Figure 8-9. Timing and Processing of Operations in Interval Timer Mode

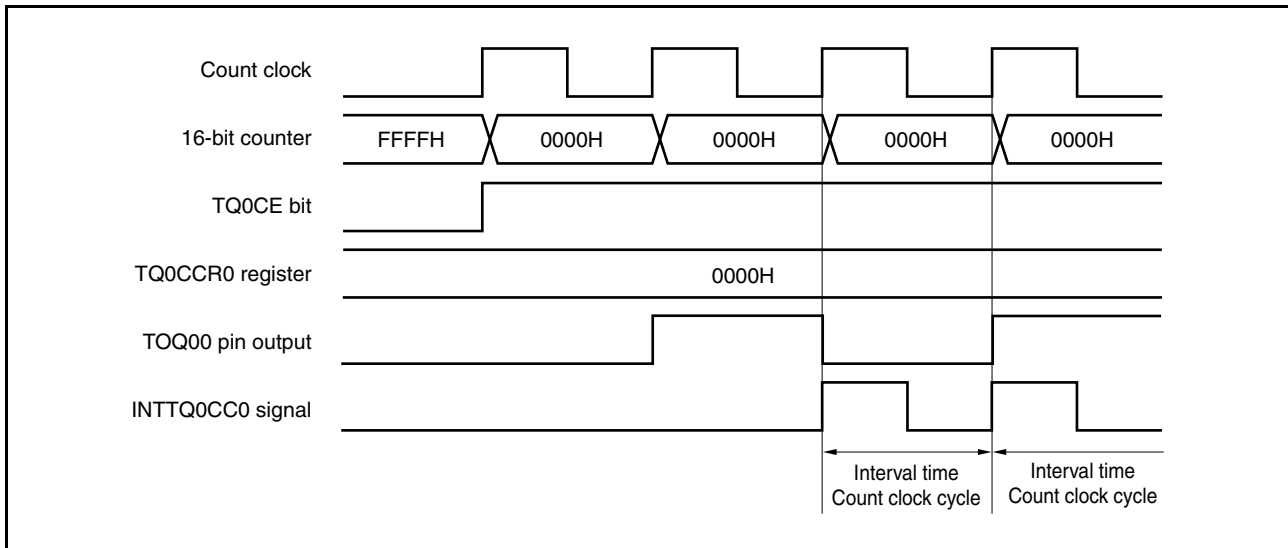


(2) Using interval timer mode**(a) Operation when TQ0CCR0 register is set to 0000H**

When the TQ0CCR0 register is set to 0000H, the INTTQ0CC0 signal is generated each count clock cycle from the second clock cycle, and the output of the TOQ00 pin is inverted.

The value of the 16-bit counter is always 0000H.

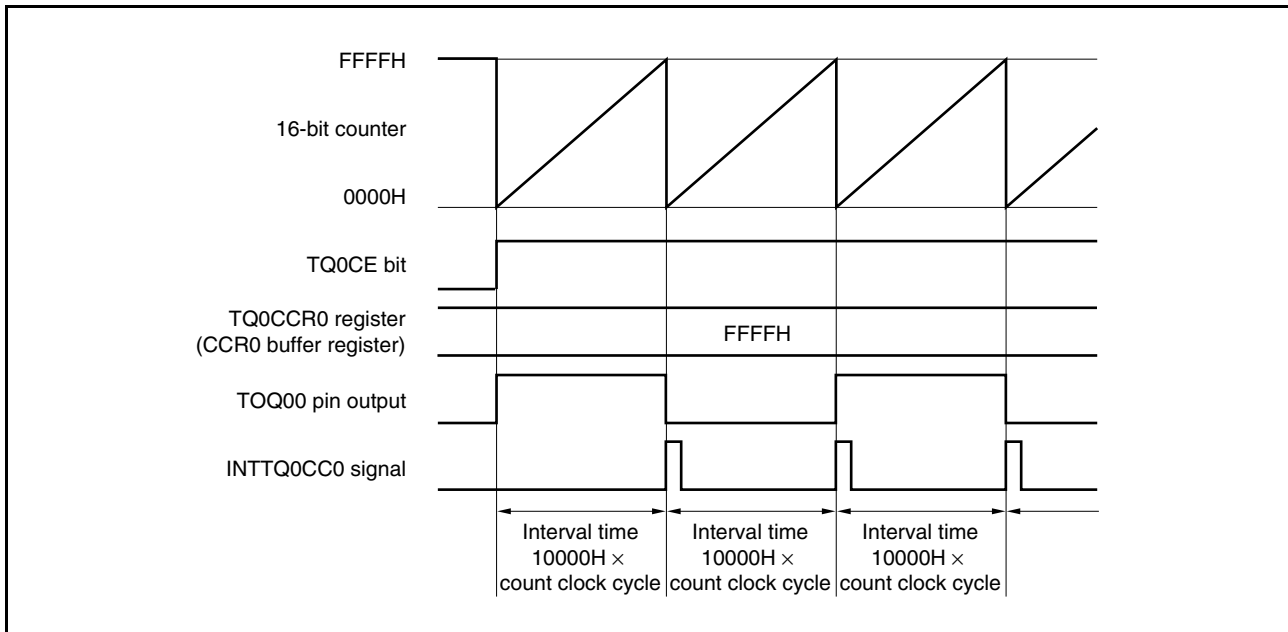
Figure 8-10. Operation of Interval Timer When TQ0CCR0 Register Is Set to 0000H



(b) Operation when TQ0CCR0 register is set to FFFFH

When the TQ0CCR0 register is set to FFFFH, the 16-bit counter increments up to FFFFH and is reset to 0000H in synchronization with the next increment timing. The INTTQ0CC0 signal is then generated and the output of the TOQ00 pin is inverted. At this time, an overflow interrupt request signal (INTTQ0OV) is not generated, nor is the overflow flag (TQ0OPT0.TQ0OVF bit) set to 1.

Figure 8-11. Operation of Interval Timer When TQ0CCR0 Register Is Set to FFFFH

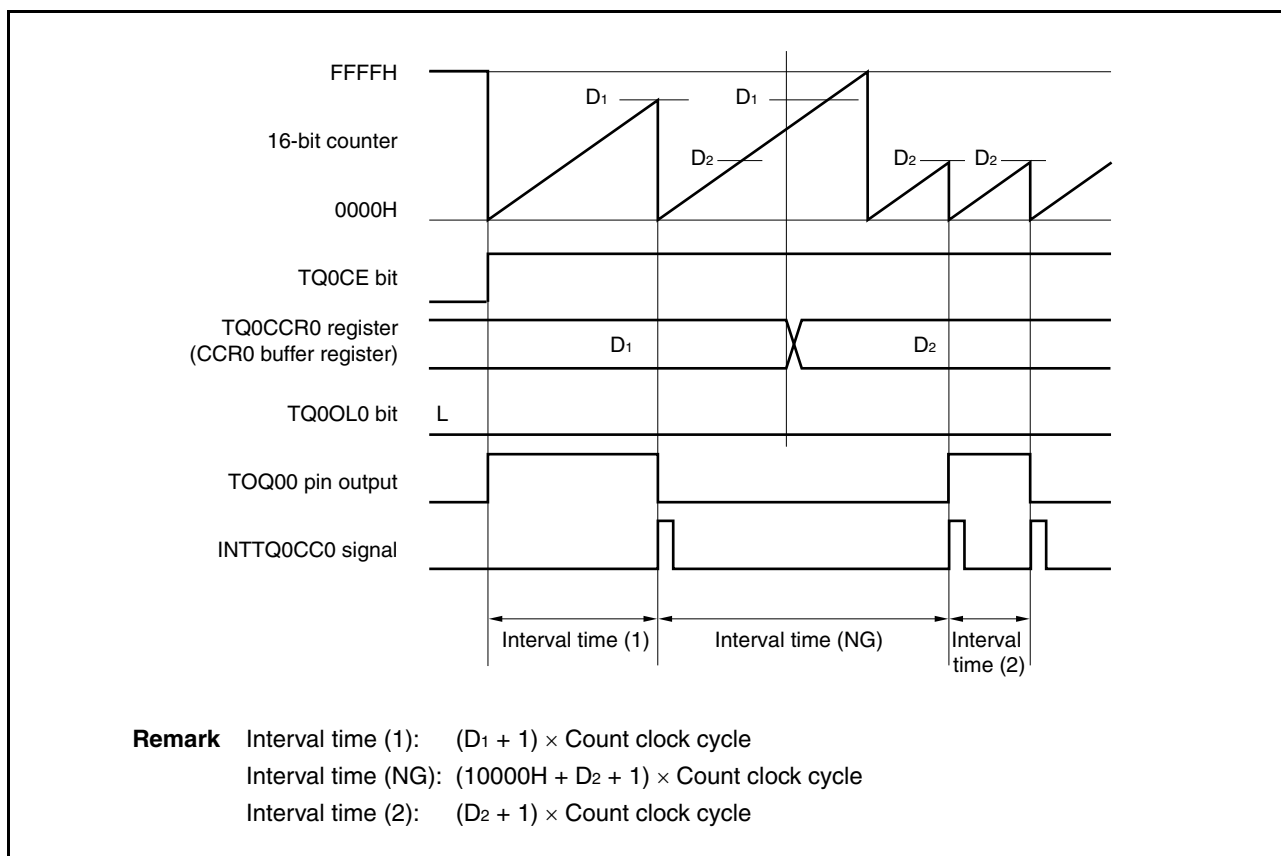


(c) Notes on rewriting TQ0CCR0 register

When rewriting the value of the TQ0CCR0 register to a smaller value, stop counting first and then change the set value.

If the value of the TQ0CCR0 register is rewritten to a smaller value during counting, the 16-bit counter may overflow.

Figure 8-12. Rewriting TQ0CCR0 Register



If the value of the TQ0CCR0 register is changed from D_1 to D_2 while the counter value is greater than D_2 but less than D_1 , the TQ0CCR0 register value is transferred to the CCR0 buffer register as soon as the register has been rewritten. Consequently, the value that is compared with the 16-bit counter value is D_2 .

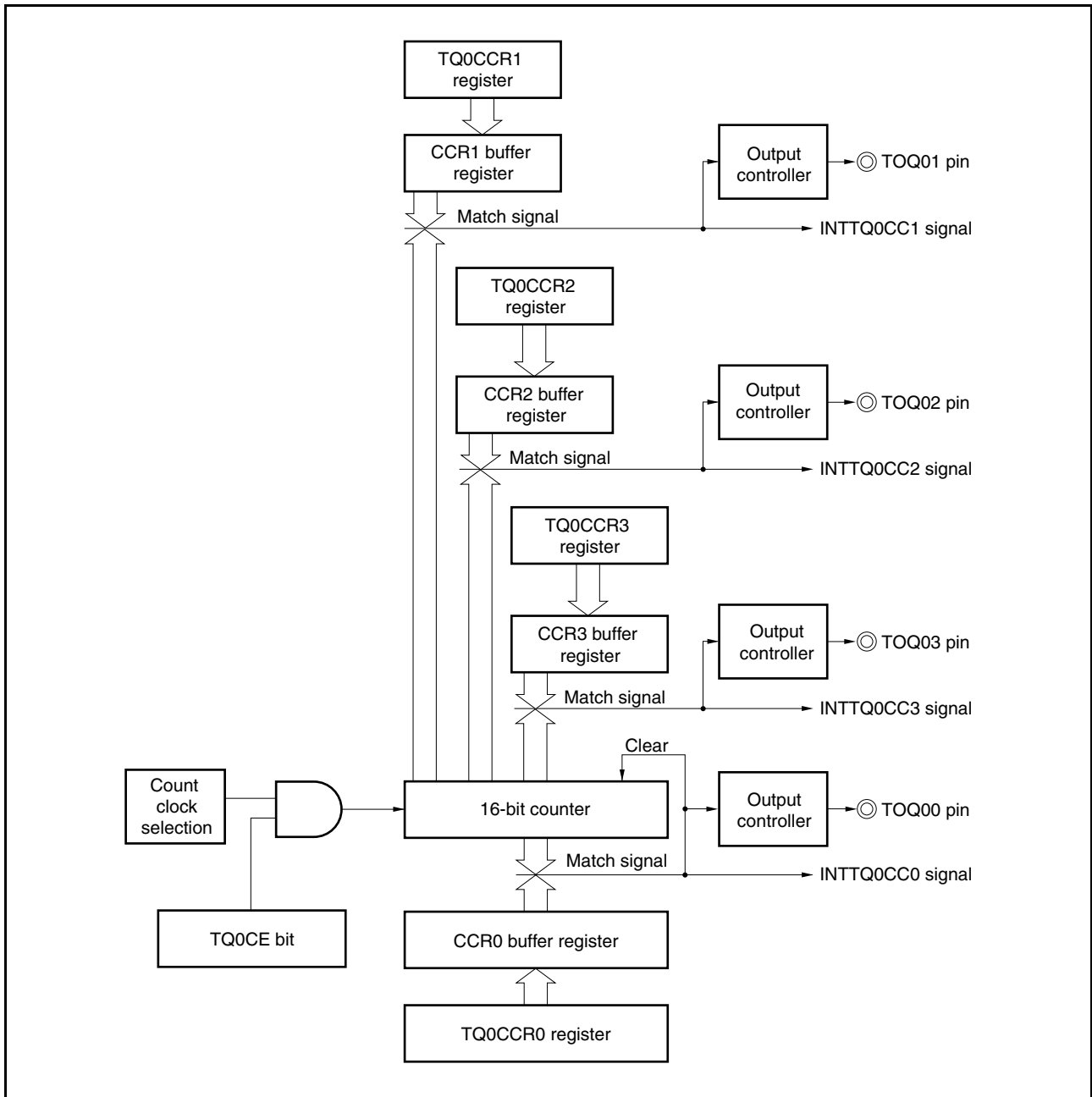
Because the counter value has already exceeded D_2 , however, the 16-bit counter increments to FFFFH, overflows, and then increments again from 0000H. When the counter value matches D_2 , the INTTQ0CC0 signal is generated and the output of the TOQ00 pin is inverted.

Therefore, the INTTQ0CC0 signal may not be generated at the interval " $(D_1 + 1) \times \text{Count clock cycle}$ " or " $(D_2 + 1) \times \text{Count clock cycle}$ " as originally expected, but instead may be generated at an interval of " $(10000H + D_2 + 1) \times \text{Count clock cycle}$ ".

(d) Operation of TQ0CCR1 to TQ0CCR3 registers

The TQ0CCR1 to TQ0CCR3 registers are configured as follows in the interval timer mode.

Figure 8-13. Configuration of TQ0CCR1 to TQ0CCR3 Registers

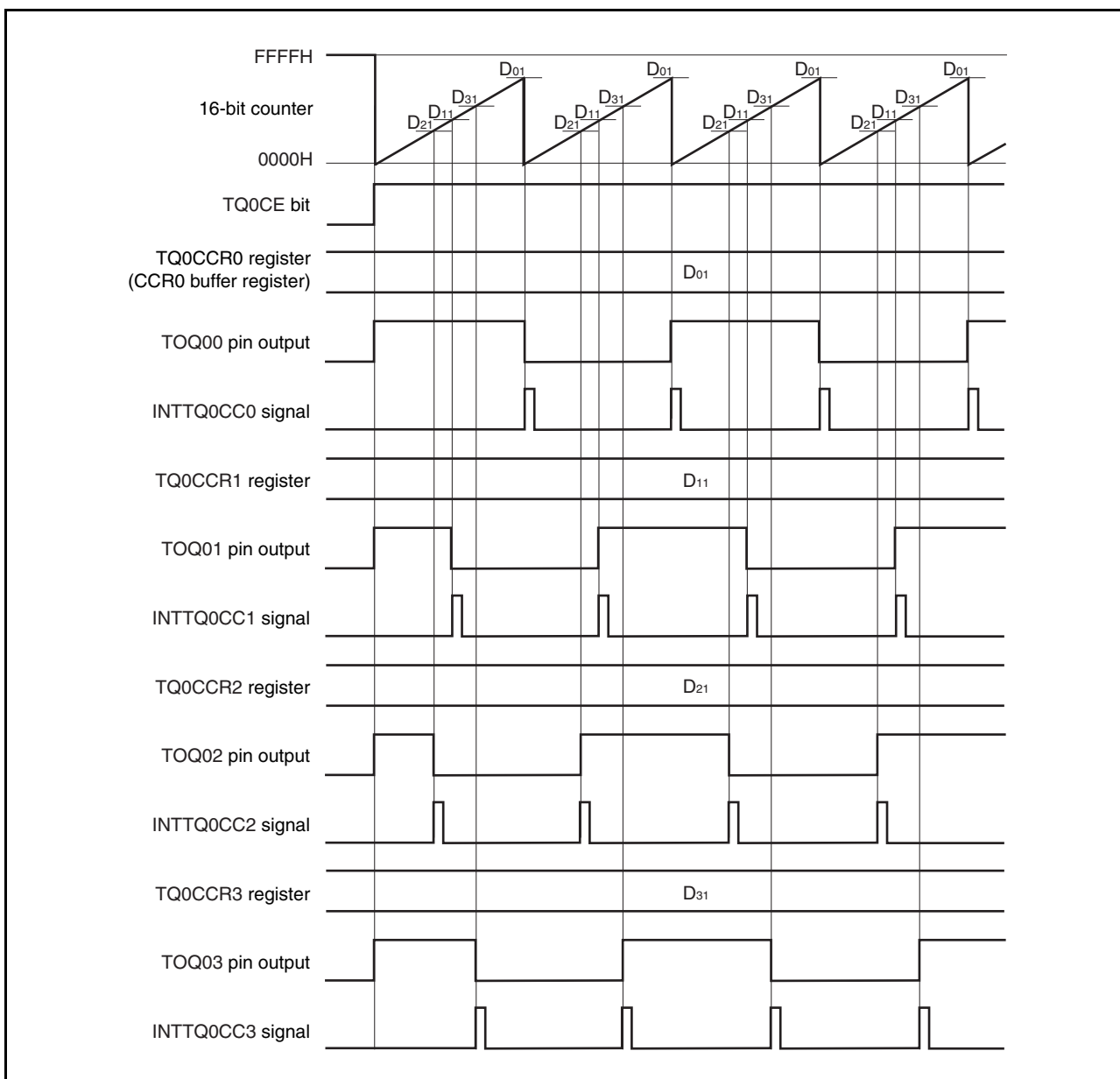


If the value of the TQ0CCRk register is less than or equal to the value of the TQ0CCR0 register, the INTTQ0CCk signal is generated once per cycle. At the same time, the output of the TOQ0k pin is inverted. The TOQ0k pin outputs a square wave with the same cycle as that output by the TOQ00 pin but with a different phase.

A chart showing the timing of operations when the value of the TQ0CCRk register (D_{k1}) is less than or equal to the value of the TQ0CCR0 register (D_{01}) is shown below.

Remark $k = 1$ to 3

Figure 8-14. Timing of Operations When $D_{01} \geq D_{k1}$

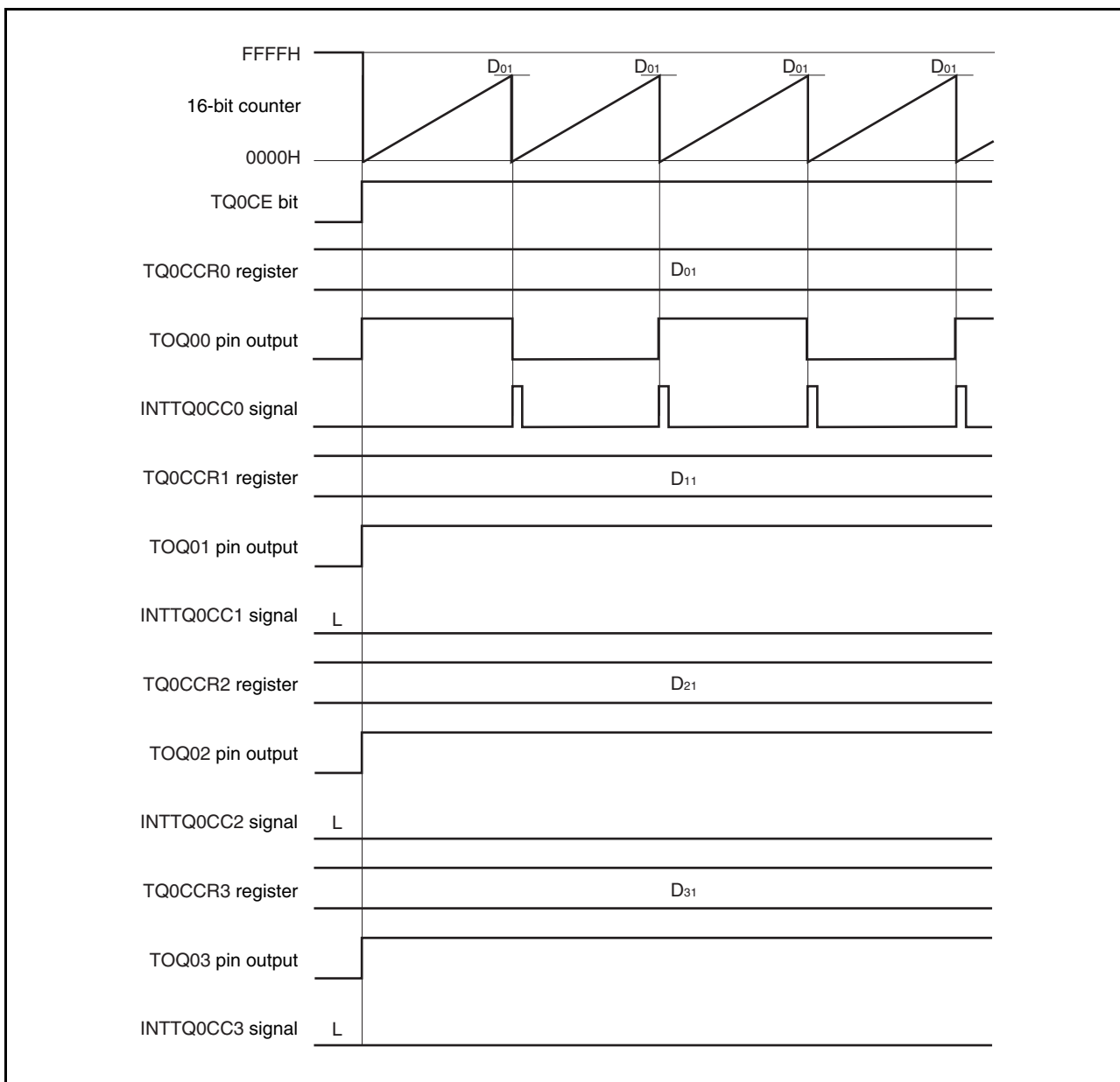


If the value of the TQ0CCRk register is greater than the value of the TQ0CCR0 register, the value of the 16-bit counter will not match the value of the TQ0CCRk register. Consequently, the INTTQ0CCk signal is not generated, nor is the output of the TOQ0k pin changed.

A chart showing the timing of operations when the value of the TQ0CCRk register (D_{k1}) is greater than the value of the TQ0CCR0 register (D_{01}) is shown below.

Remark k = 1 to 3

Figure 8-15. Timing of Operations When $D_{01} < D_{k1}$

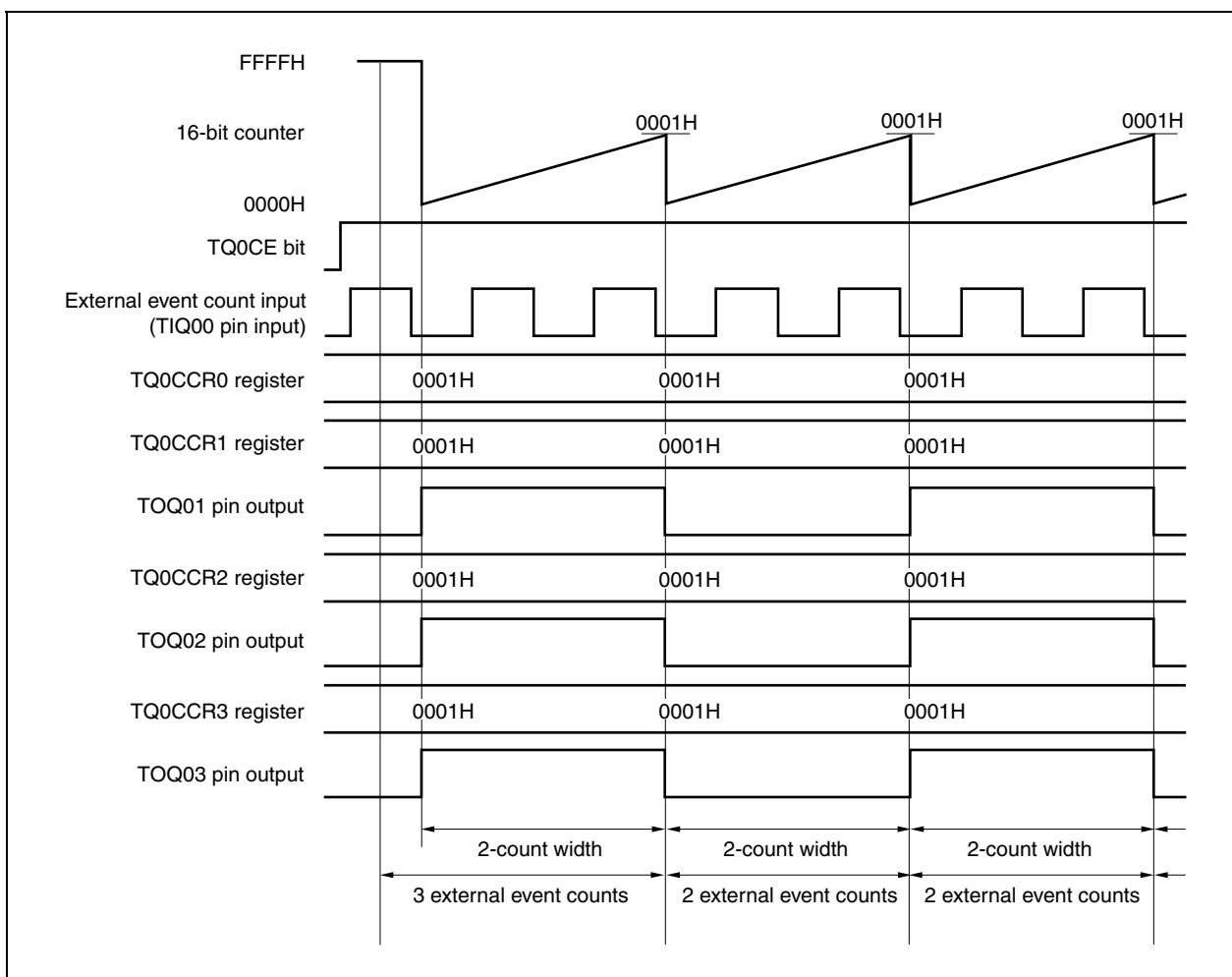


(3) Operation of interval timer based on input of external event count

(a) Operation

When the 16-bit counter is incrementing based on the valid edge of the external event count input (TIQ00 pin) in the interval timer mode, one external event count valid edge must be input immediately after the TQ0CE bit changes from 0 to 1 to start the counter incrementing after the 16-bit counter is cleared from FFFFH to 0000H. Once the TQ0CCR0 and TQ0CCRk registers are set to 0001H (that is, the same value as was previously set), the TOQ0k pin output is inverted every two counts of the 16-bit counter (k = 1 to 3). Note that the TQ0CTL1.TQ0EEE bit can only be set to 1 when timer output (TOQ0k) is used based on the input of an external event count.

Figure 8-16. Operation of Interval Timer Based on Input of External Event Count



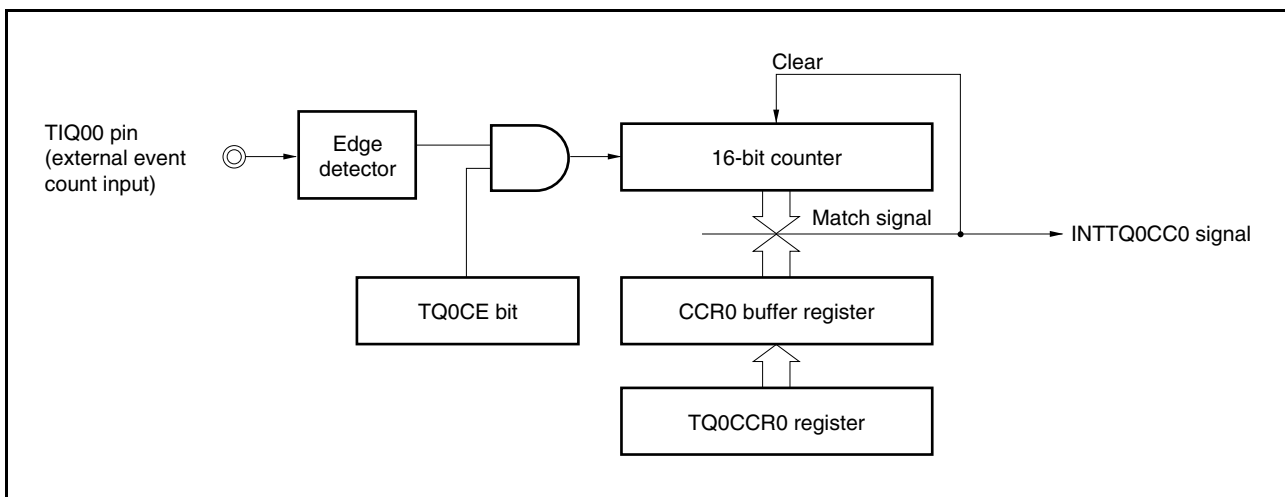
8.4.2 External event count mode (TQ0MD2 to TQ0MD0 bits = 001)

In the external event count mode, the valid edge of the external event count input is counted when the TQ0CTL0.TQ0CE bit is set to 1, and an interrupt request signal (INTTQ0CC0) is generated each time the specified number of edges have been counted. The timer output pins (TOQ00 to TOQ03) cannot be used. To use the TOQ01 to TOQ03 pins in the external event count mode, be sure to set the TQ0CTL1.TQ0EEE bit to 1 in the interval timer mode first. (For details, see **8.4.1 (3) Operation of interval timer based on input of external event count.**)

Usually, the TQ0CCR1 to TQ0CCR3 registers are not used in the external event count mode.

- Remarks 1.** For how to set the TIQ00 pin, see **Table 8-2 Pins Used by TMQ0** and **Table 4-15 Settings When Pins Are Used for Alternate Functions**.
- 2.** For how to enable the INTTQ0CC0 interrupt signal, see **CHAPTER 22 INTERRUPT SERVICING/ EXCEPTION PROCESSING FUNCTION**.

Figure 8-17. Configuration of Interval Timer in External Event Count Mode

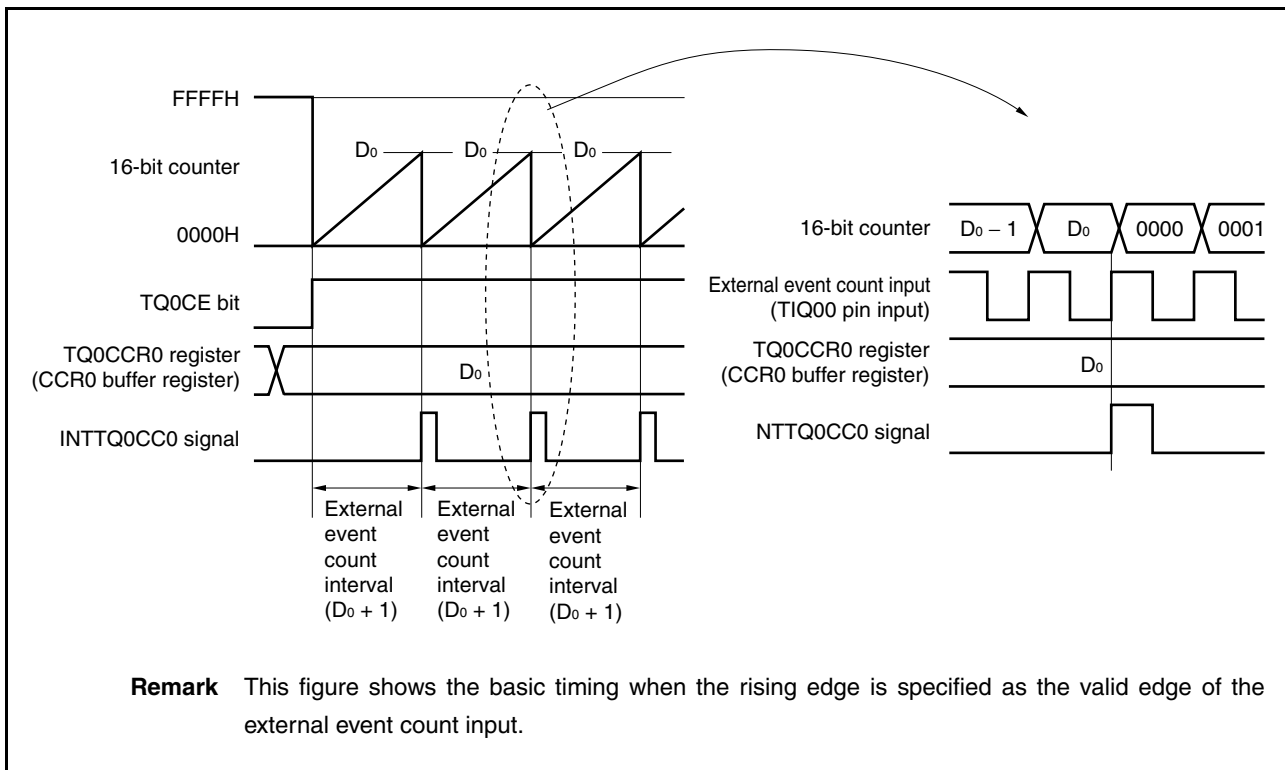


When the TQ0CE bit is set to 1, the value of the 16-bit counter is cleared from FFFFH to 0000H. The counter increments each time the valid edge of the external event count input is detected, and the value of the TQ0CCR0 register is transferred to the CCR0 buffer register.

When the value of the 16-bit counter matches the value of the CCR0 buffer register, the 16-bit counter is cleared to 0000H, and a compare match interrupt request signal (INTTQ0CC0) is generated.

The INTTQ0CC0 signal is generated each time the valid edge of the external event count input has been detected the specified number of times (that is, the value of the TQ0CCR0 register + 1).

Figure 8-18. Basic Timing of Operations in External Event Count Mode



An example of the register settings when the external event count mode is used is shown in the figure below.

Figure 8-19. Register Settings in External Event Count Mode (1/2)

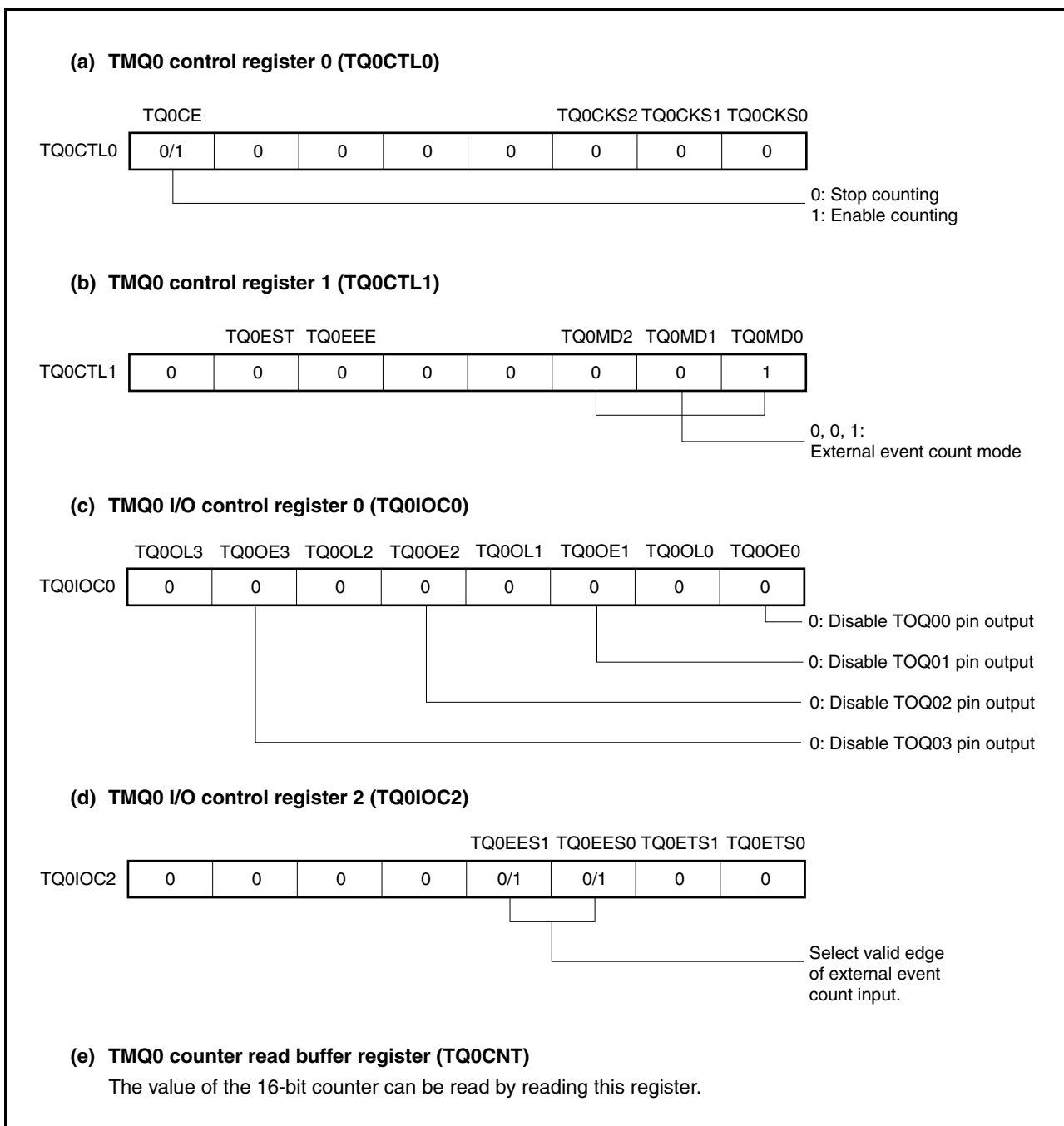


Figure 8-19. Register Settings in External Event Count Mode (2/2)

(f) TMQ0 capture/compare register 0 (TQ0CCR0)

When the TQ0CCR0 register is set to D_0 , the counter is cleared and a compare match interrupt request signal (INTTQ0CC0) is generated when the number of external events reaches $(D_0 + 1)$.

(g) TMQ0 capture/compare registers 1 to 3 (TQ0CCR1 to TQ0CCR3)

The TQ0CCR1 to TQ0CCR3 registers are not usually used in the external event count mode. However, because the set values of the TQ0CCR1 to TQ0CCR3 registers are transferred to the CCR1 to CCR3 buffer registers and a compare match interrupt request signal (INTTQ0CC1 to INTTQ0CC3) is generated when the value of the 16-bit counter matches the value of the CCR1 to CCR3 buffer registers, interrupts from these registers must be masked by setting the interrupt mask flags (TQ0CCMK1 to TQ0CCMK3).

Cautions 1. Do not set the TQ0CCR0 register to 0000H in the external event count mode.

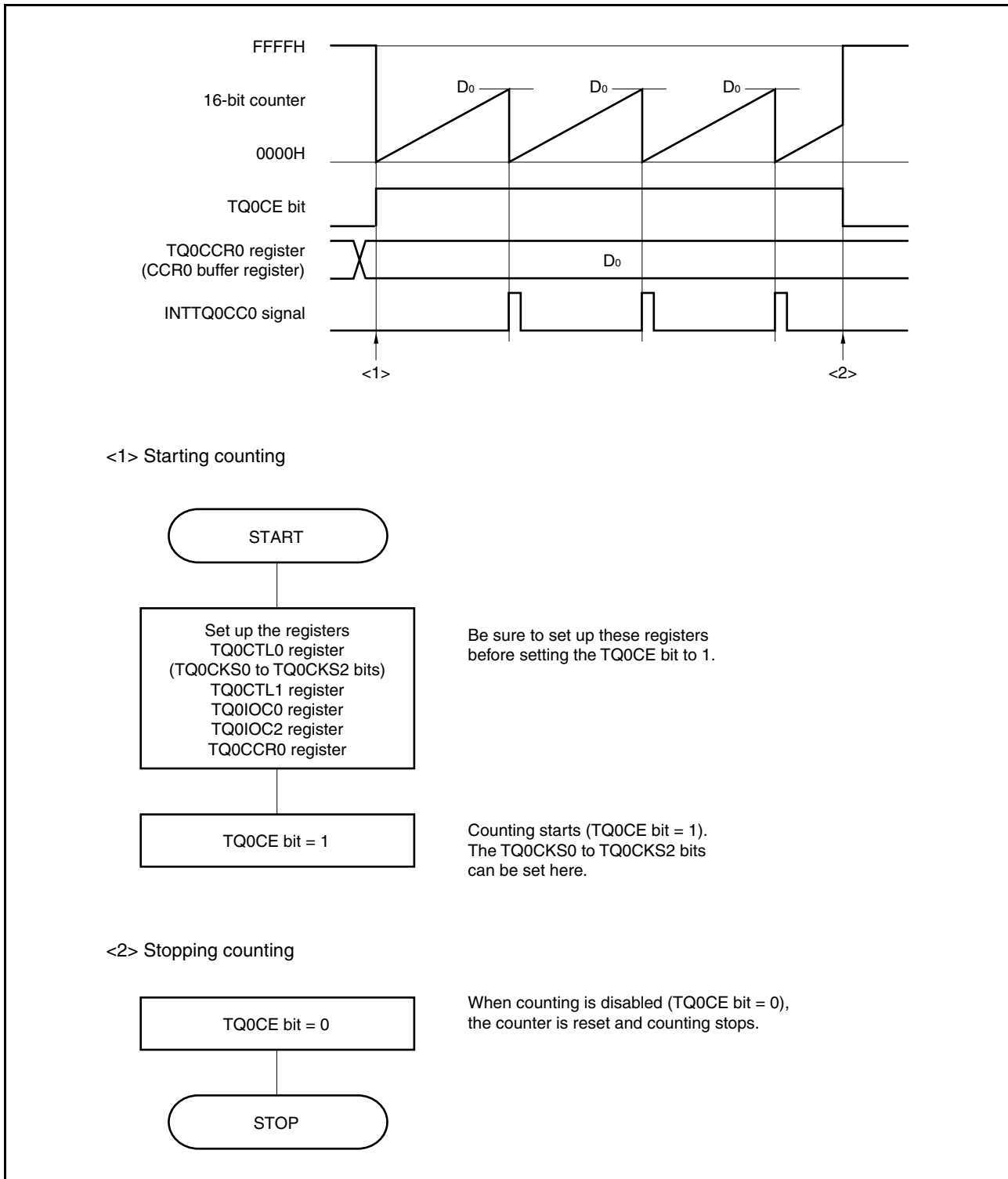
2. Timer output cannot be used in the external event count mode. When using the timer output based on the input of an external event count, first set the operating mode to interval mode, and then specify “operation enabled” for the external event count input (by setting the TQ0CTL1.TQ0MD2 to TQ0MD0 bits to 0, 0, 0 and setting the TQ0CTL1.TQ0EEE bit to 1). (For details, see 8.4.1 (3) Operation of interval timer based on input of external event count.)

3. When an external clock is used as the count clock, the external clock can be input only from the TIQ00 pin. At this time, set the TQ0IOC1.TQ0IS1 and TQ0IOC1.TQ0IS0 bits to 0, 0 (capture trigger input (TIQ00 pin): no edge detection).

Remark TMQ0 I/O control register 1 (TQ0IOC1) and TMQ0 option register 0 (TQ0OPT0) are not used in the external event count mode.

(1) Operations in external event count mode

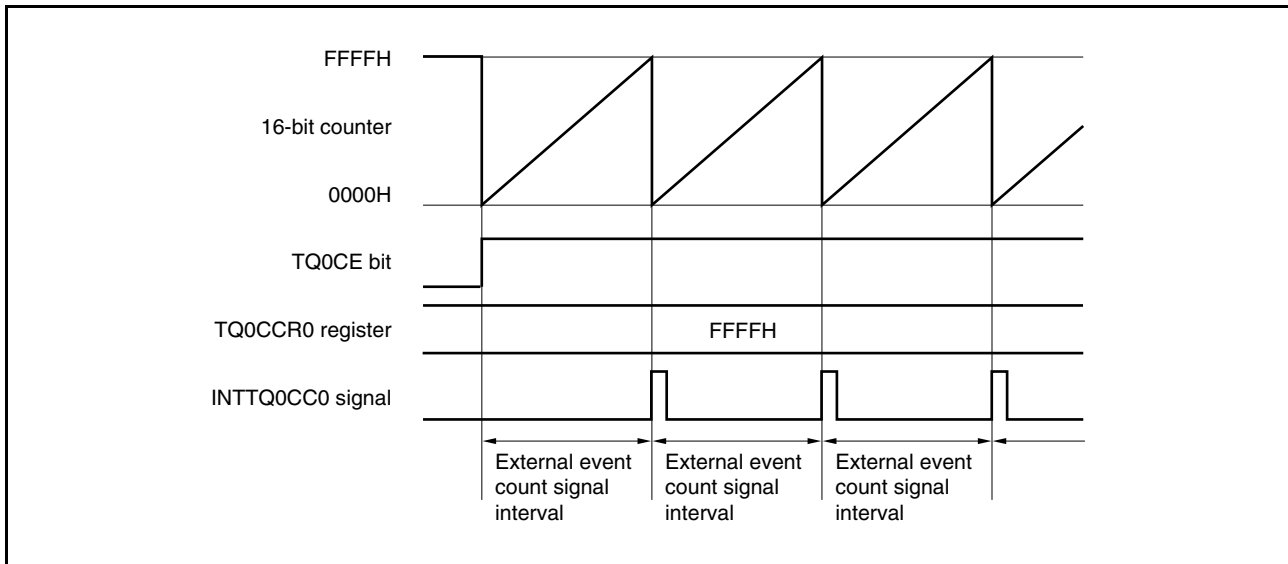
Figure 8-20. Timing and Processing of Operations in External Event Count Mode



(2) Using external event count mode**(a) Operation when TQ0CCR0 register is set to FFFFH**

When the TQ0CCR0 register is set to FFFFH, the 16-bit counter increments up to FFFFH upon detection of the valid edge of the external event count signal and is reset to 0000H in synchronization with the next increment timing. The INTTQ0CC0 signal is then generated. At this time, the TQ0OPT0.TQ0OVF bit is not set to 1.

Figure 8-21. Operation When TQ0CCR0 Register Is Set to FFFFH

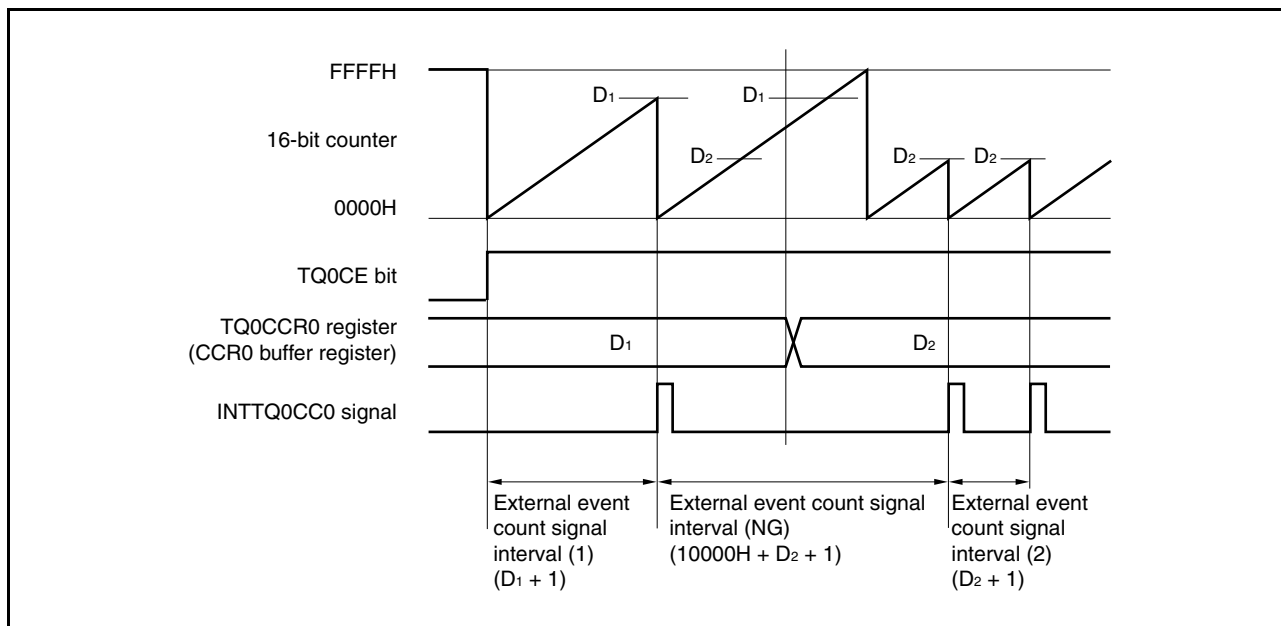


(b) Notes on rewriting TQ0CCR0 register

When rewriting the value of the TQ0CCR0 register to a smaller value, stop counting first and then change the set value.

If the value of the TQ0CCR0 register is rewritten to a smaller value during counting, the 16-bit counter may overflow.

Figure 8-22. Rewriting TQ0CCR0 Register



If the value of the TQ0CCR0 register is changed from D_1 to D_2 while the counter value is greater than D_2 but less than D_1 , the TQ0CCR0 register value is transferred to the CCR0 buffer register as soon as the register has been rewritten. Consequently, the value that is compared with the 16-bit counter value is D_2 .

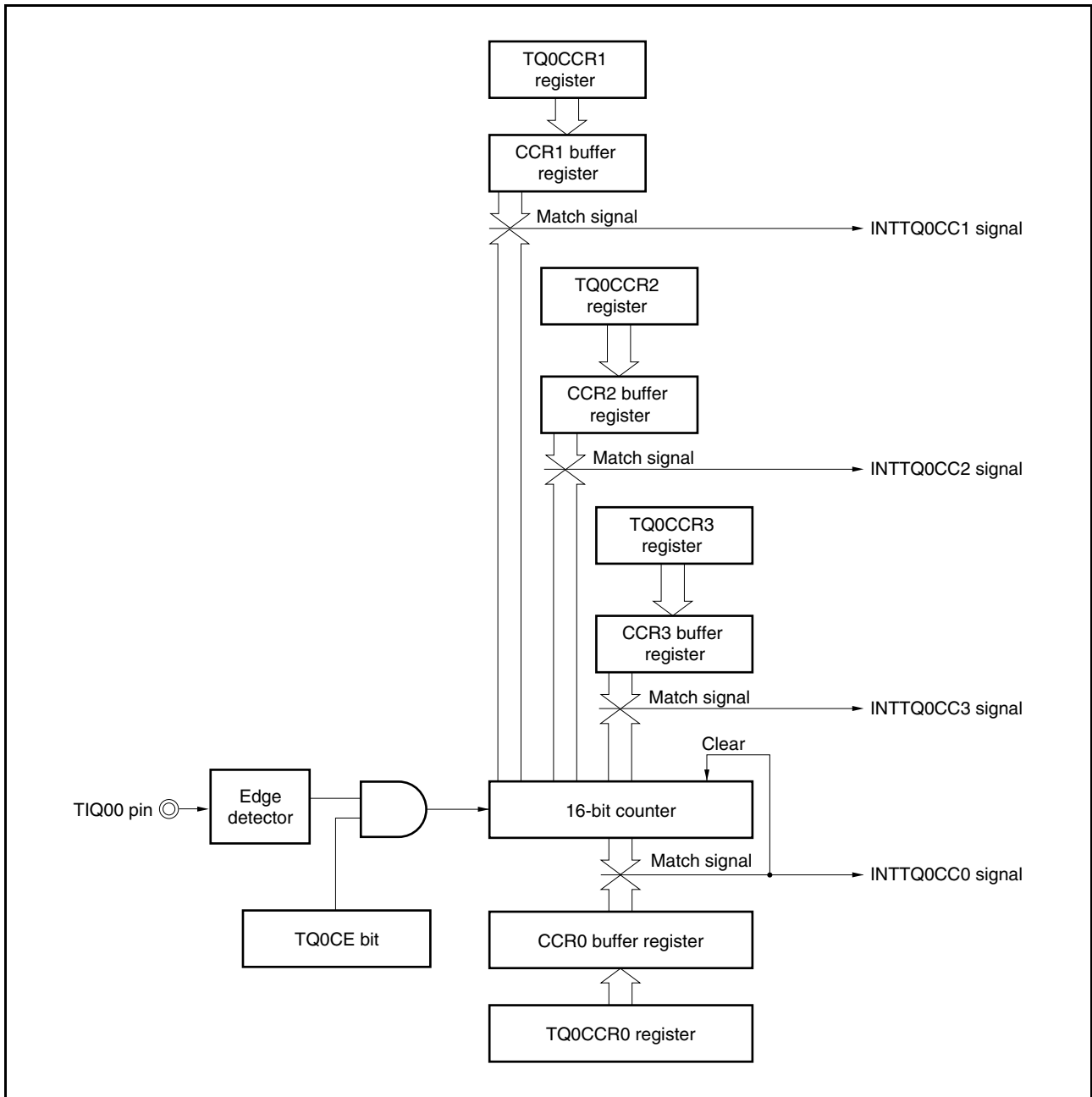
Because the counter value has already exceeded D_2 , however, the 16-bit counter increments up to FFFFH, overflows, and then increments up again from 0000H. When the counter value matches D_2 , the INTTQ0CC0 signal is generated.

Therefore, the INTTQ0CC0 signal may not be generated at the valid edge of the external event count signal when the external event count is " $(D_1 + 1)$ " or " $(D_2 + 1)$ " as originally expected, but instead may be generated at the valid edge of the external event count signal when the external event count is " $(10000H + D_2 + 1)$ ".

(c) Operation of TQ0CCR1 to TQ0CCR3 registers

The TQ0CCR1 to TQ0CCR3 registers are configured as follows in the external event count mode.

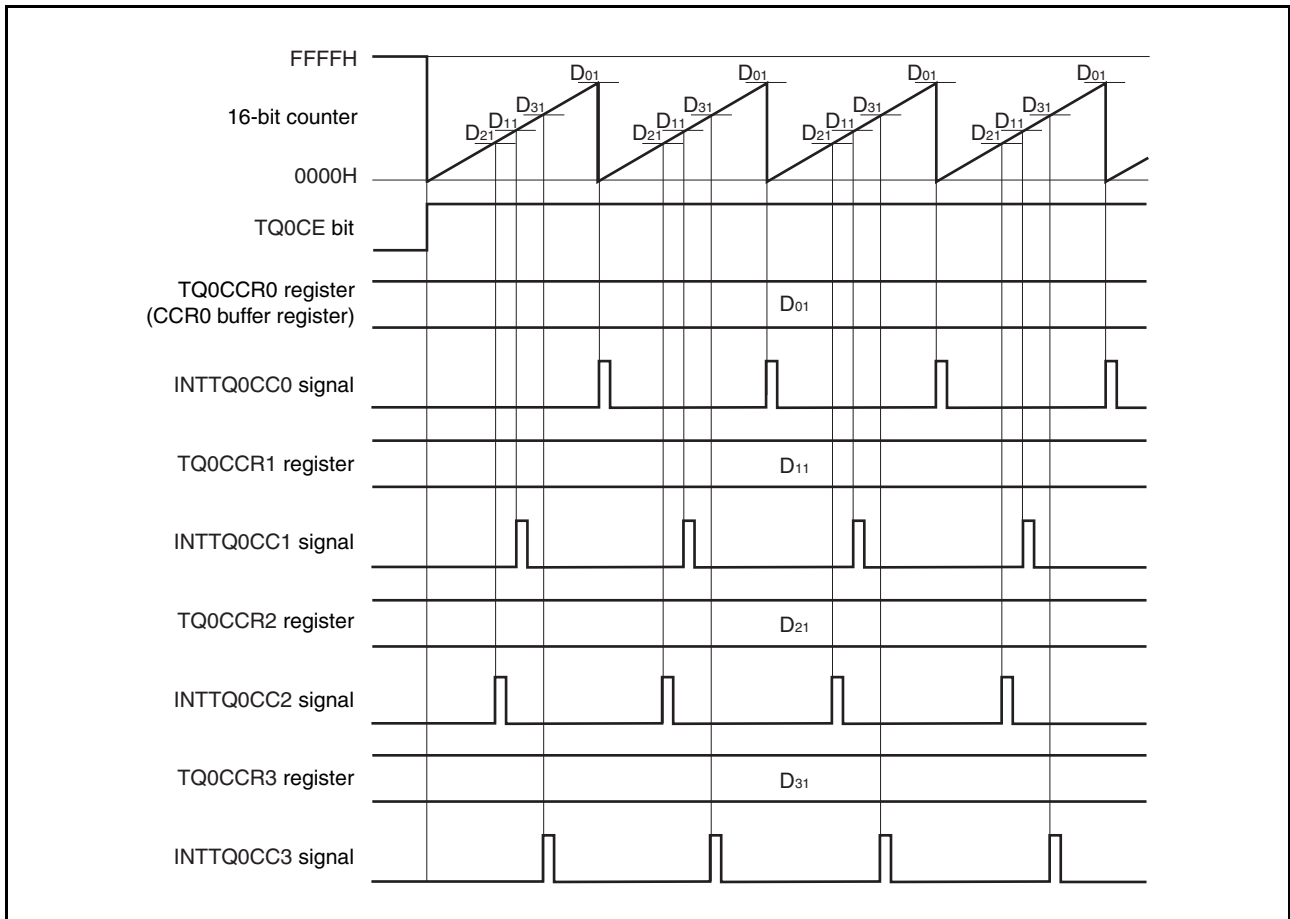
Figure 8-23. Configuration of TQ0CCR1 to TQ0CCR3 Registers



If the value of the TQ0CCRk register is less than or equal to the value of the TQ0CCR0 register, the INTTQ0CCk signal is generated once per cycle.
 A chart showing the timing of operations when the value of the TQ0CCRk register (D_{k1}) is less than or equal to the value of the TQ0CCR0 register (D_{01}) is shown below.

Remark $k = 1$ to 3

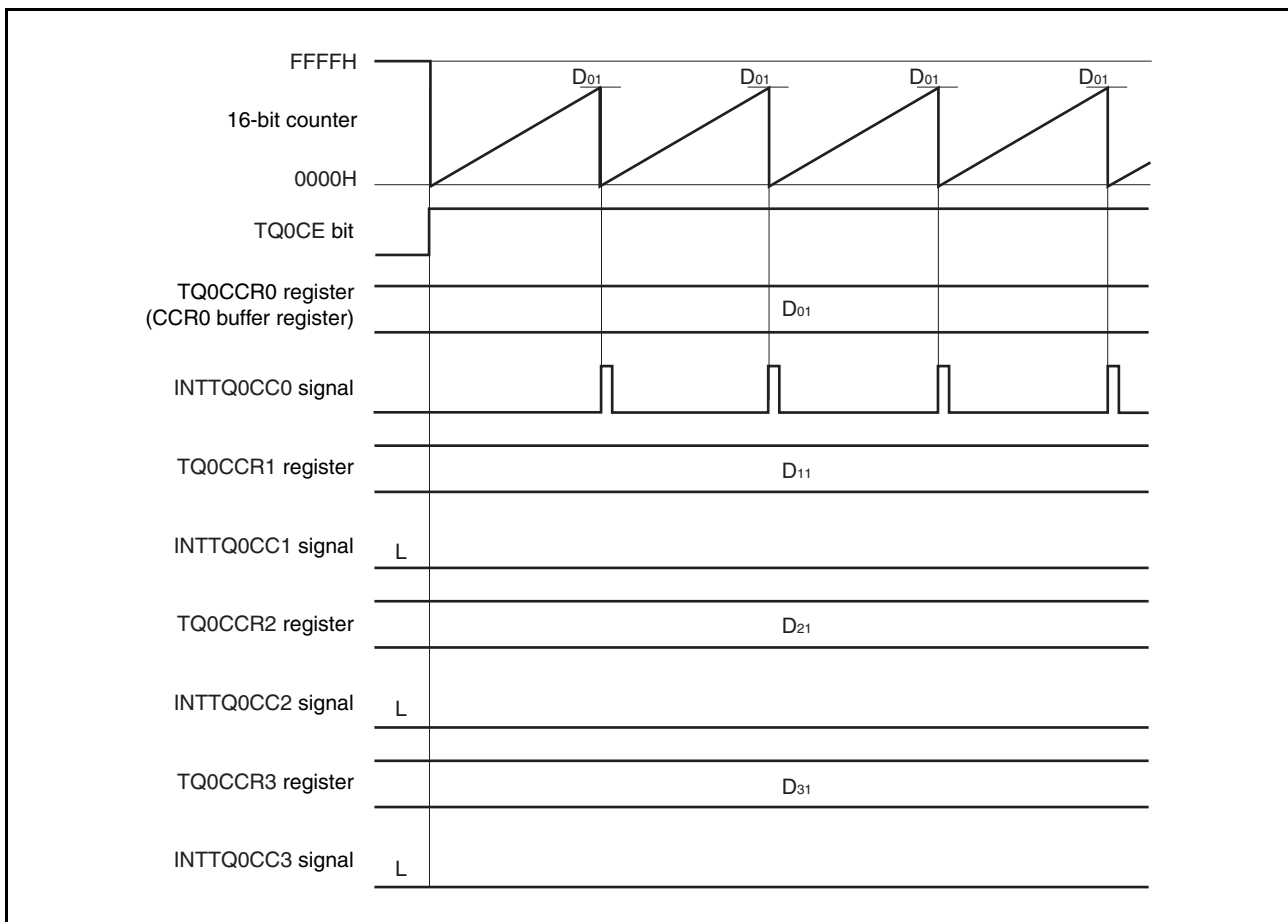
Figure 8-24. Timing of Operations When $D_{01} \geq D_{k1}$



If the value of the TQ0CCR_k register is greater than the value of the TQ0CCR0 register, the value of the 16-bit counter will not match the value of the TQ0CCR_k register and the INTTQ0CC_k signal will not be generated. A chart showing the timing of operations when the value of the TQ0CCR_k register (D_{k1}) is greater than the value of the TQ0CCR0 register (D_{01}) is shown below.

Remark $k = 1$ to 3

Figure 8-25. Timing of Operations When $D_{01} < D_{k1}$



8.4.3 External trigger pulse output mode (TQ0MD2 to TQ0MD0 bits = 010)

In the external trigger pulse output mode, when the TQ0CTL0.TQ0CE bit is set to 1, TMQ0 waits for a trigger, which is the valid edge of the external trigger input signal, and starts incrementing when this trigger is detected. TMQ0 then outputs a PWM waveform from the TOQ01 to TOQ03 pins.

Pulses can also be output by generating a software trigger instead of using the external trigger. When using a software trigger instead of the external trigger, a square wave that has one cycle of the PWM waveform as half its cycle can also be output from the TOQ00 pin.

- Remarks 1.** For how to set the TIQ00 and TOQ00 to TOQ03 pins, see **Table 8-2 Pins Used by TMQ0** and **Table 4-15 Settings When Pins Are Used for Alternate Functions**.
- 2.** For how to enable the INTTQ0CC0 to INTTQ0CC3 interrupt signals, see **CHAPTER 22 INTERRUPT SERVICING/EXCEPTION PROCESSING FUNCTION**.

Figure 8-26. Configuration of TMQ0 in External Trigger Pulse Output Mode

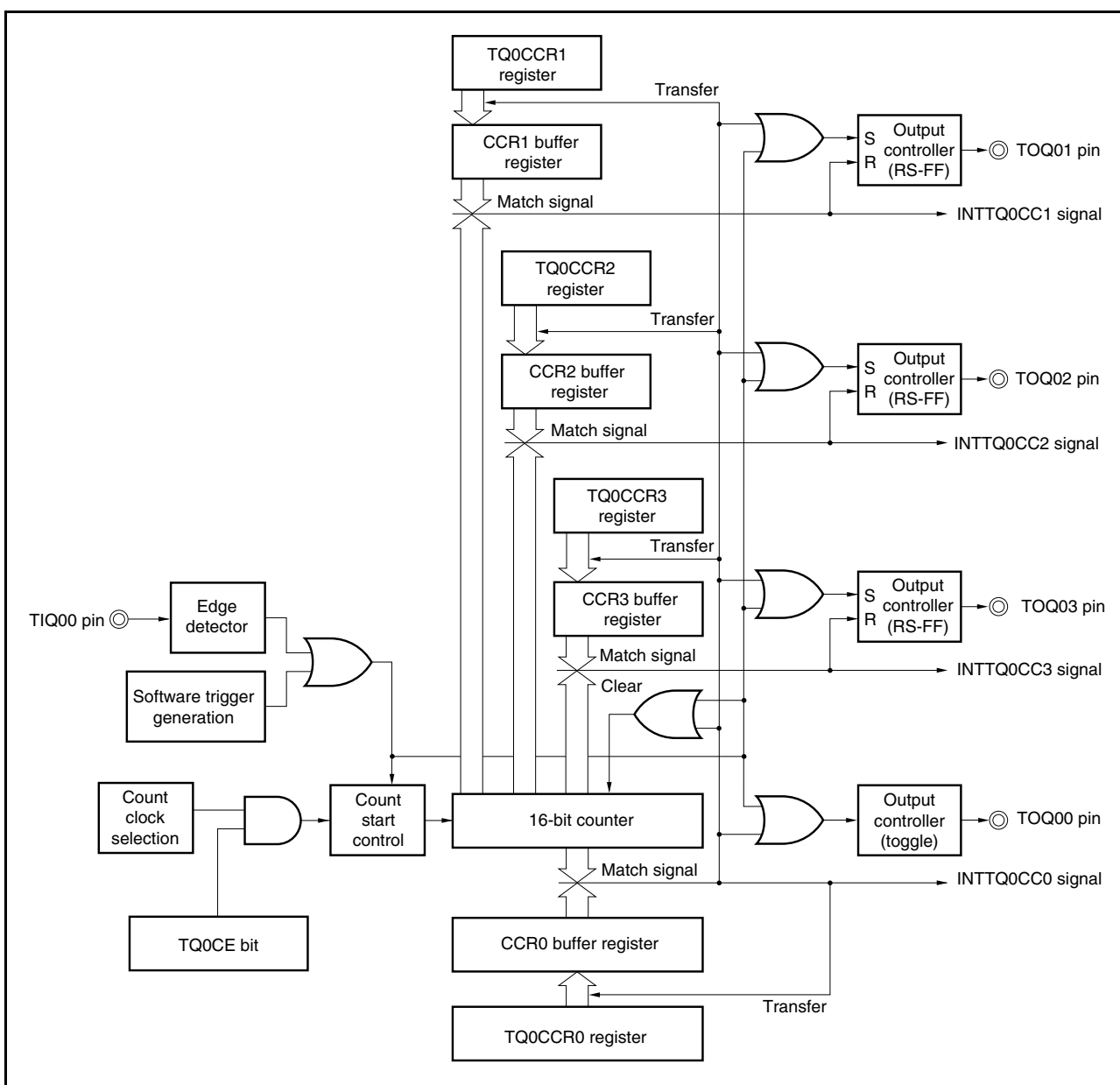
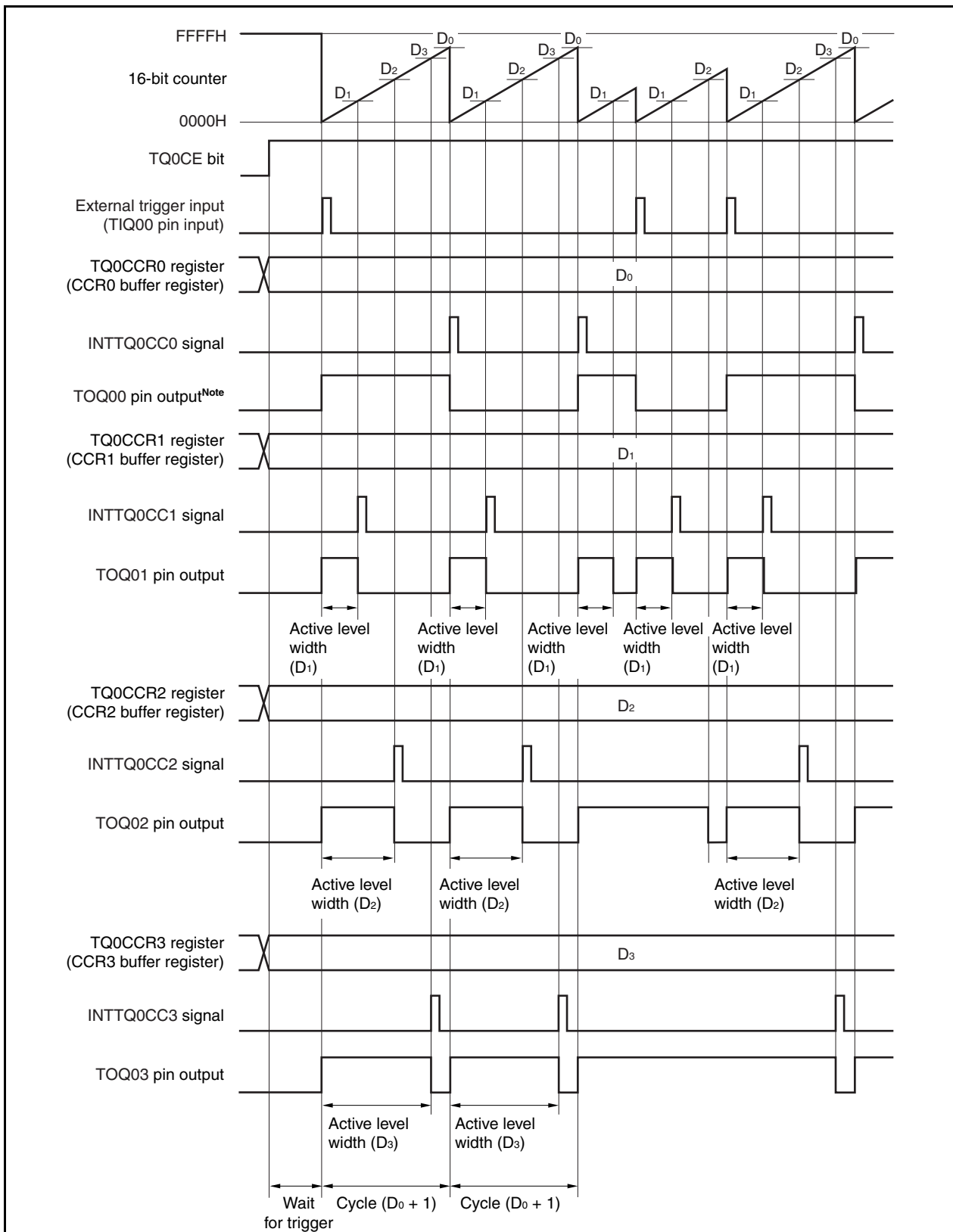


Figure 8-27. Basic Timing of Operations in External Trigger Pulse Output Mode



Note The output from the TOQ00 pin can also be used as the input to the TIQ00 pin. When using the output from the TOQ00 pin as the input to the TIQ00 pin, use a software trigger instead of an external trigger.

When the TQ0CE bit is set to 1, TMQ0 waits for a trigger. When the trigger is generated, the 16-bit counter is cleared from FFFFH to 0000H, starts incrementing, and outputs a PWM waveform from the TOQ0k pin. If the trigger is generated again while the counter is incrementing, the counter is cleared to 0000H and restarts incrementing, and the output of the TOQ00 pin is inverted. (The TOQ0k pin outputs a high level signal regardless of the status (high/low) when a trigger occurs.)

The active level width, cycle, and duty factor of the PWM waveform can be calculated as follows.

$$\begin{aligned} \text{Active level width} &= (\text{Set value of TQ0CCRk register}) \times \text{Count clock cycle} \\ \text{Cycle} &= (\text{Set value of TQ0CCR0 register} + 1) \times \text{Count clock cycle} \\ \text{Duty factor} &= (\text{Set value of TQ0CCRk register}) / (\text{Set value of TQ0CCR0 register} + 1) \end{aligned}$$

The INTTQ0CC0 compare match interrupt request signal is generated when the 16-bit counter increments next time after its value matches the value of the CCR0 buffer register, and the 16-bit counter is cleared to 0000H. The INTTQ0CCk compare match interrupt request signal is generated when the value of the 16-bit counter matches the value of the CCRk buffer register.

Either the valid edge of the external trigger input signal or setting the software trigger (TQ0CTL1.TQ0EST bit) to 1 is used as the trigger.

Remark k = 1 to 3

Figure 8-28. Register Settings in External Trigger Pulse Output Mode (1/3)

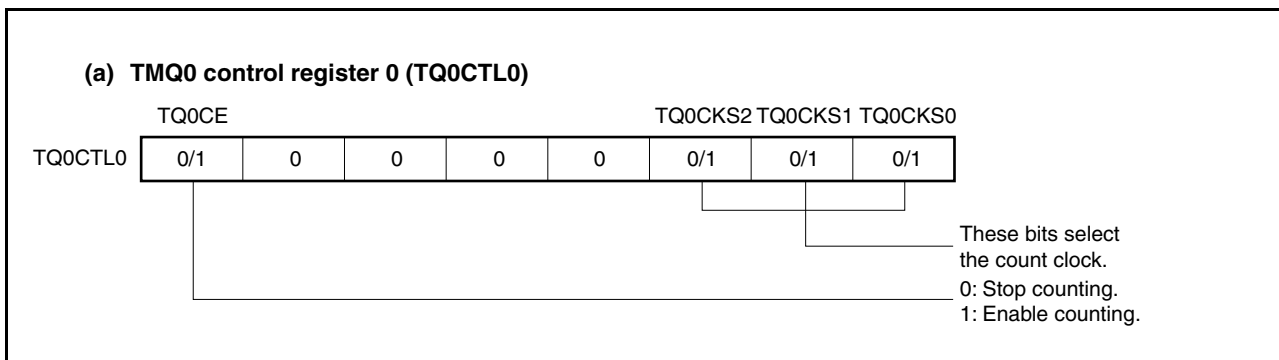


Figure 8-28. Register Settings in External Trigger Pulse Output Mode (2/3)

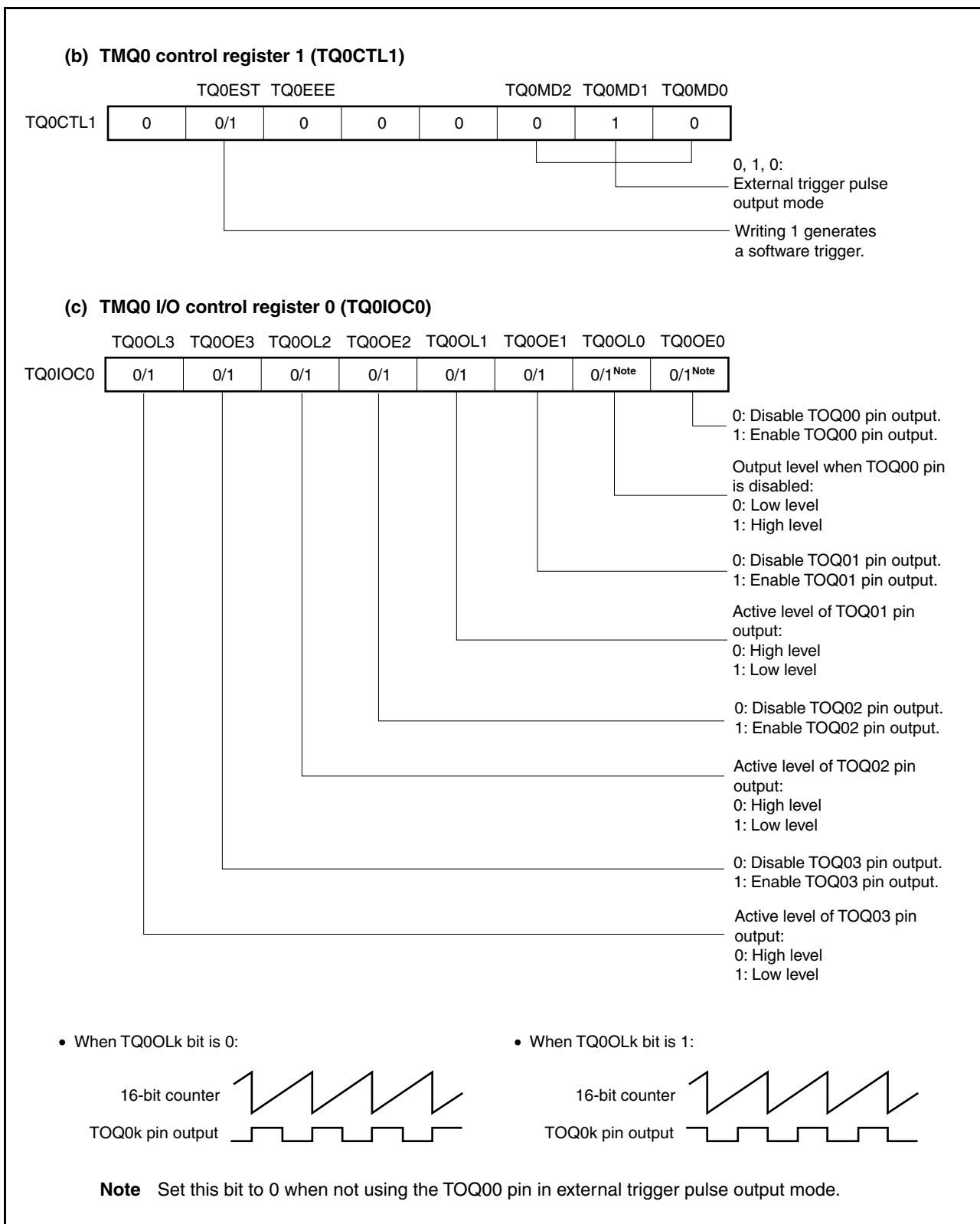
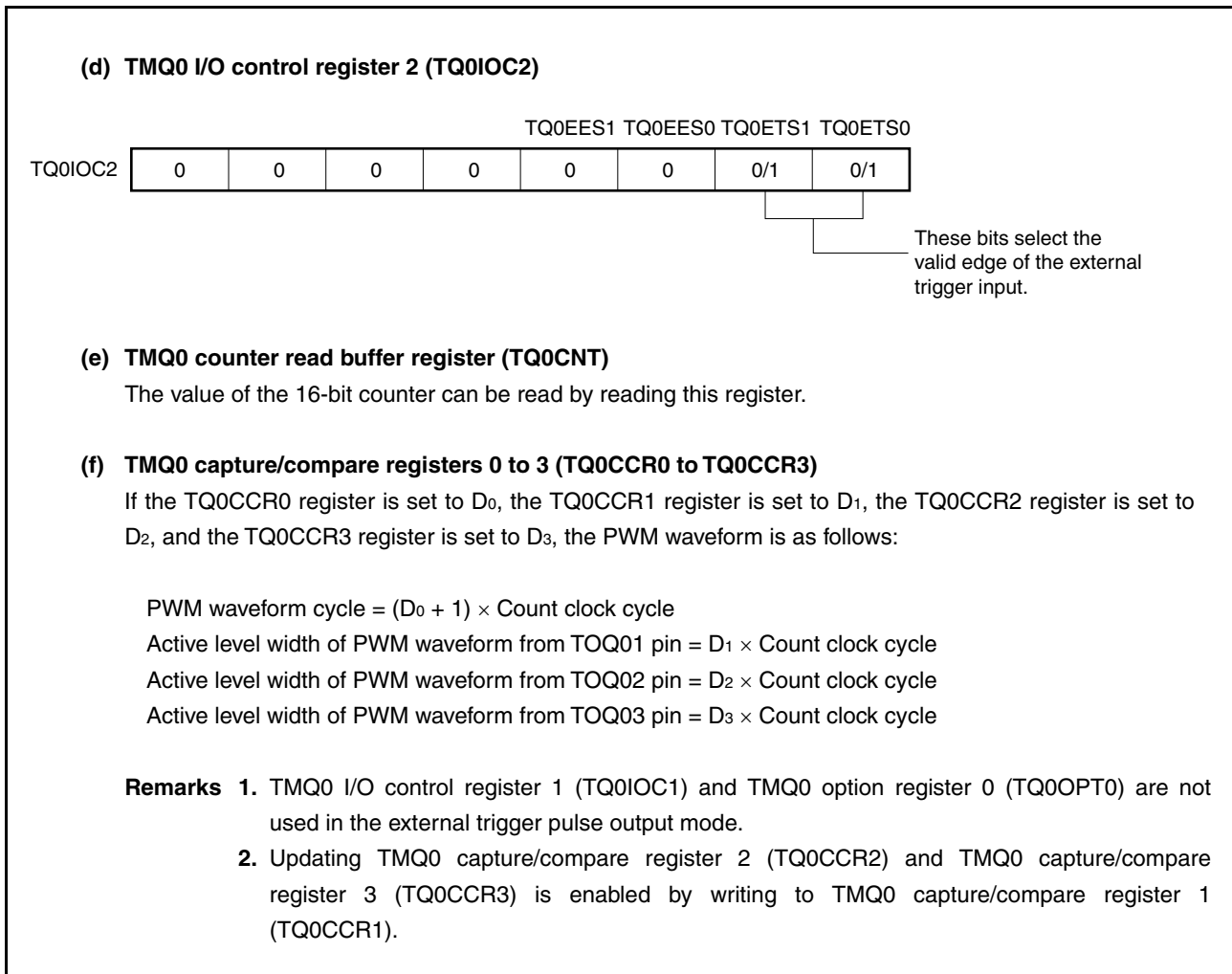


Figure 8-28. Register Settings in External Trigger Pulse Output Mode (3/3)



(1) Operations in external trigger pulse output mode

Figure 8-29. Timing and Processing of Operations in External Trigger Pulse Output Mode (1/2)

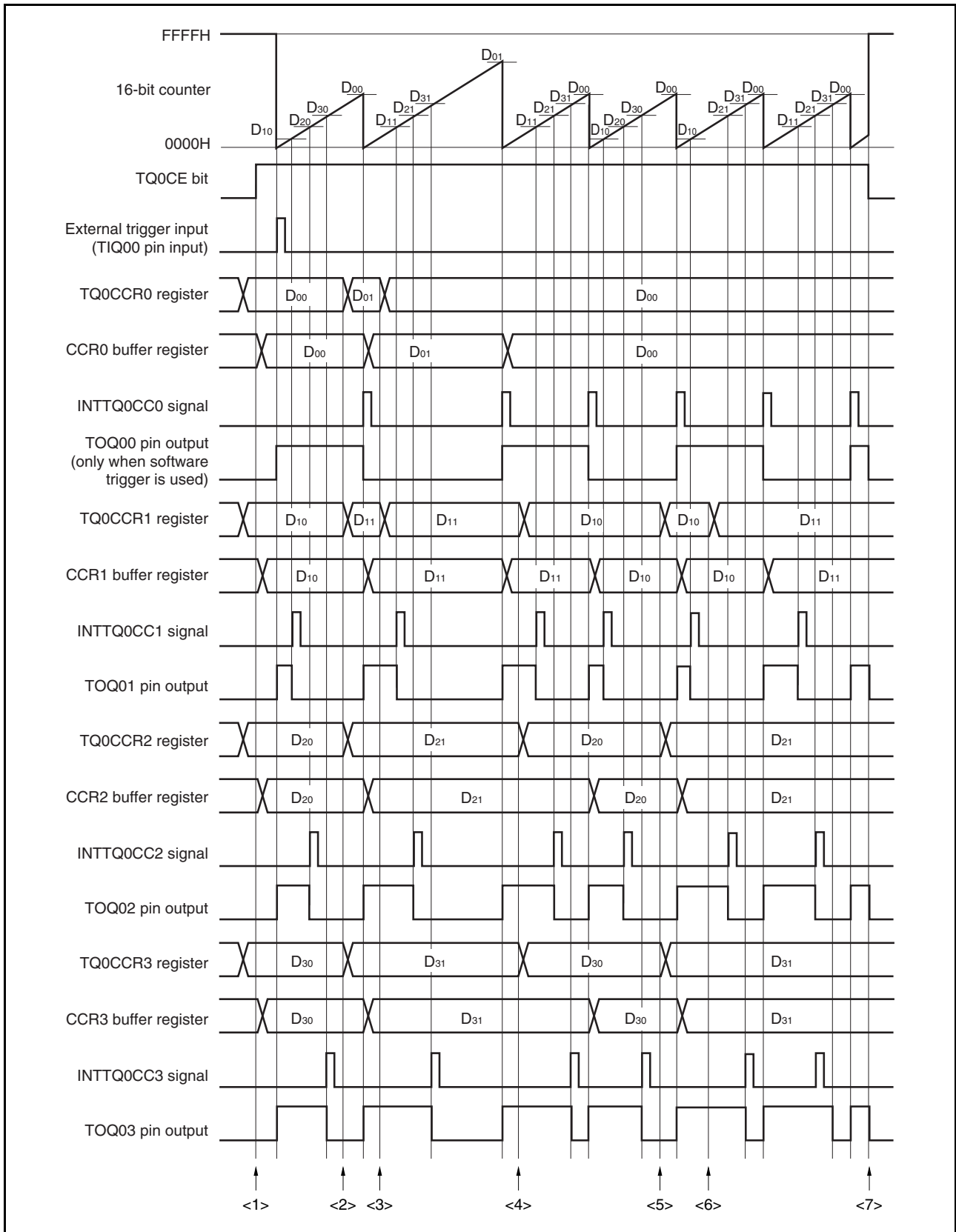
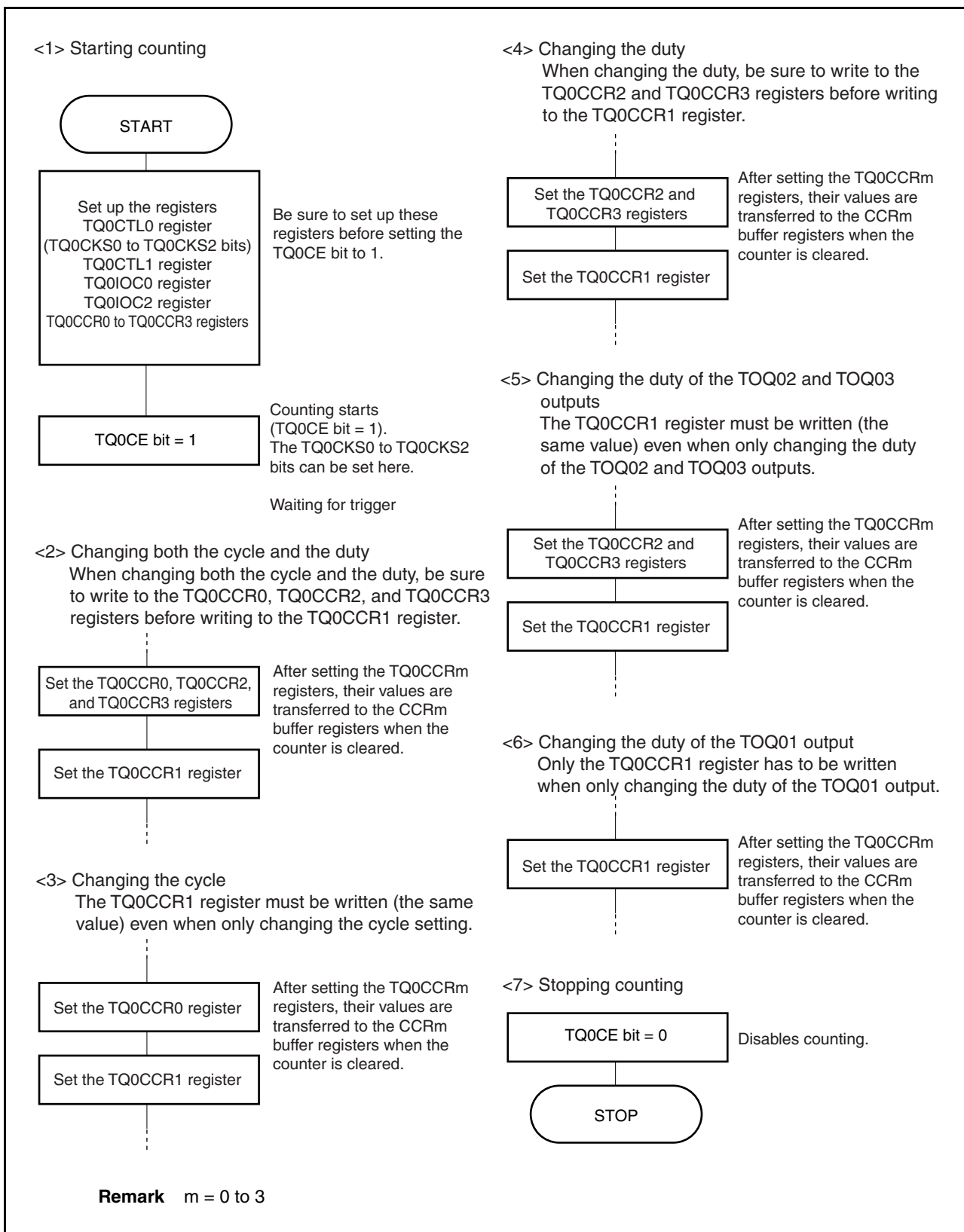


Figure 8-29. Timing and Processing of Operations in External Trigger Pulse Output Mode (2/2)



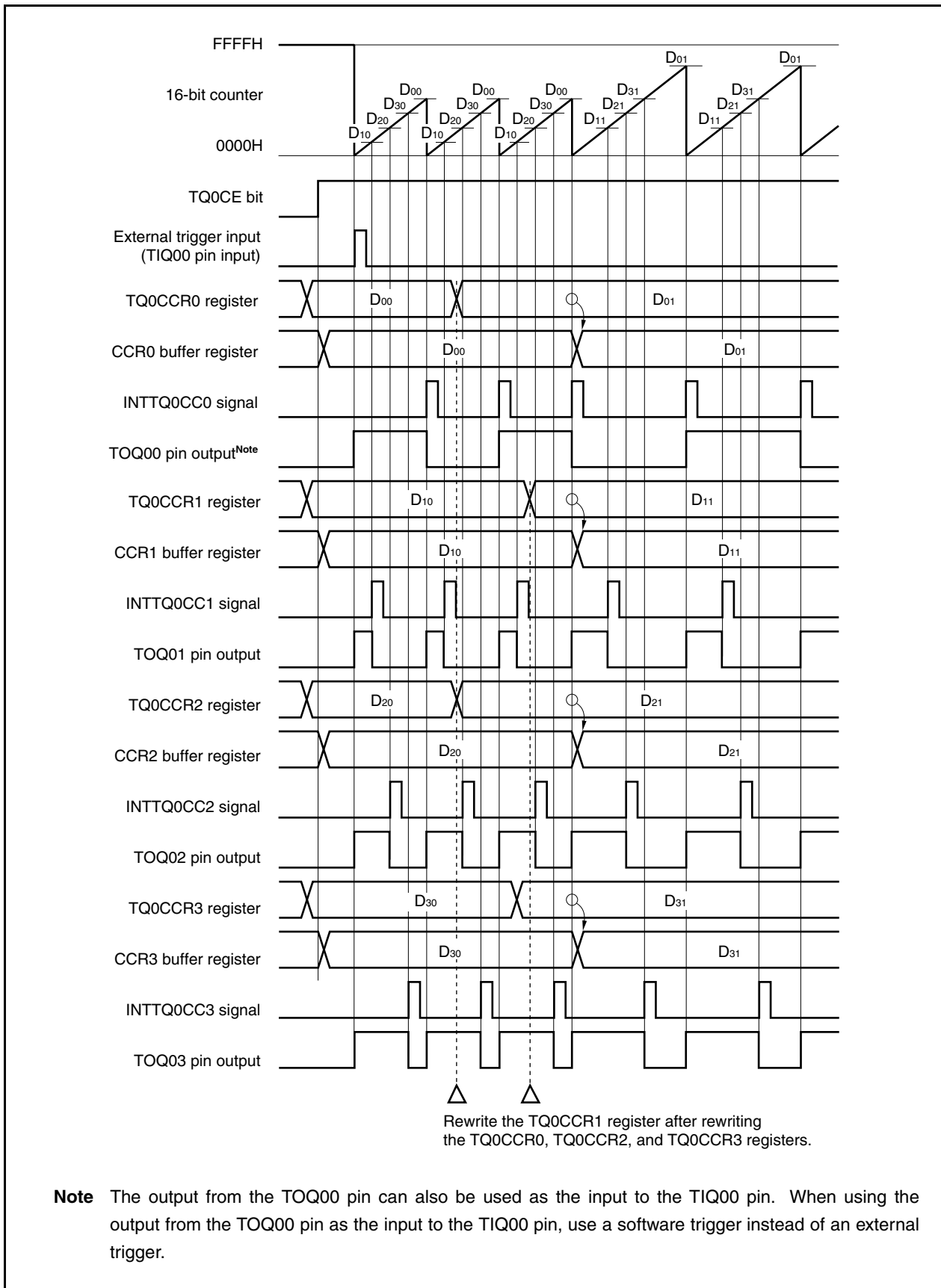
(2) Using external trigger pulse output mode

How to change the PWM waveform in the external trigger pulse output mode is described below.

(a) Changing the PWM waveform while the counter is incrementing

To change the PWM waveform while the counter is incrementing, write to the TQ0CCR1 register after changing the waveform setting. When rewriting the TQ0CCRk register after writing to the TQ0CCR1 register, do so after the INTTQ0CC0 signal has been detected.

Figure 8-30. Changing PWM Waveform While Counter Is Incrementing



In order to transfer data from the TQ0CCRm register to the CCRm buffer register, the TQ0CCR1 register must be written.

After data is written to the TQ0CCR1 register, the value written to the TQ0CCRm register is transferred to the CCRm buffer register in synchronization with clearing of the 16-bit counter, and is used as the value to be compared with the 16-bit counter value.

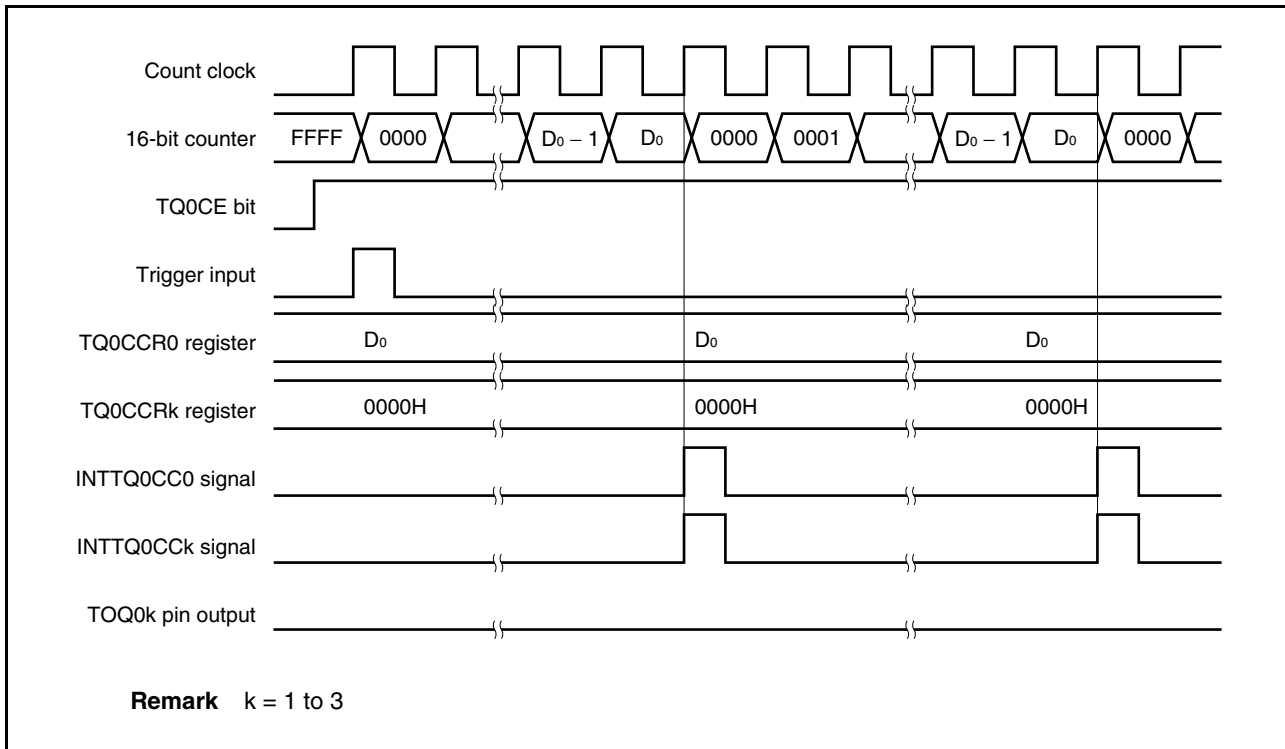
- <1> To change both the cycle and active level width of the PWM waveform, first set the cycle to the TQ0CCR0 register and then set the active level width to the TQ0CCR2 and TQ0CCR3 registers, before setting the active level width to the TQ0CCR1 register.
- <2> To change only the cycle of the PWM waveform, first set the cycle to the TQ0CCR0 register, and then write the same value to the TQ0CCR1 register (that is, the same value as the value already specified for the TQ0CCR1 register).
- <3> To change only the active level width (duty factor) of the PWM waveform, first set the active level width to the TQ0CCR2 and TQ0CCR3 registers, and then set the active level width to the TQ0CCR1 register.
- <4> To change only the active level width (duty factor) of the PWM waveform output from the TOQ01 pin, only the TQ0CCR1 register has to be set.
- <5> To change only the active level width (duty factor) of the PWM waveform output from the TOQ02 and TOQ03 pins, first set the active level width to the TQ0CCR2 and TQ0CCR3 registers, and then write the same value to the TQ0CCR1 register (that is, the same value as the value already specified for the TQ0CCR1 register).

Caution To rewrite the TQ0CCR0 to TQ0CCR3 registers after writing the TQ0CCR1 register, do so after the INTTQ0CC0 signal has been generated; otherwise, the value of the CCRm buffer register may become undefined because the timing of transferring data from the TQ0CCRm register to the CCRm buffer register conflicts with writing the TQ0CCRm register.

Remark m = 0 to 3

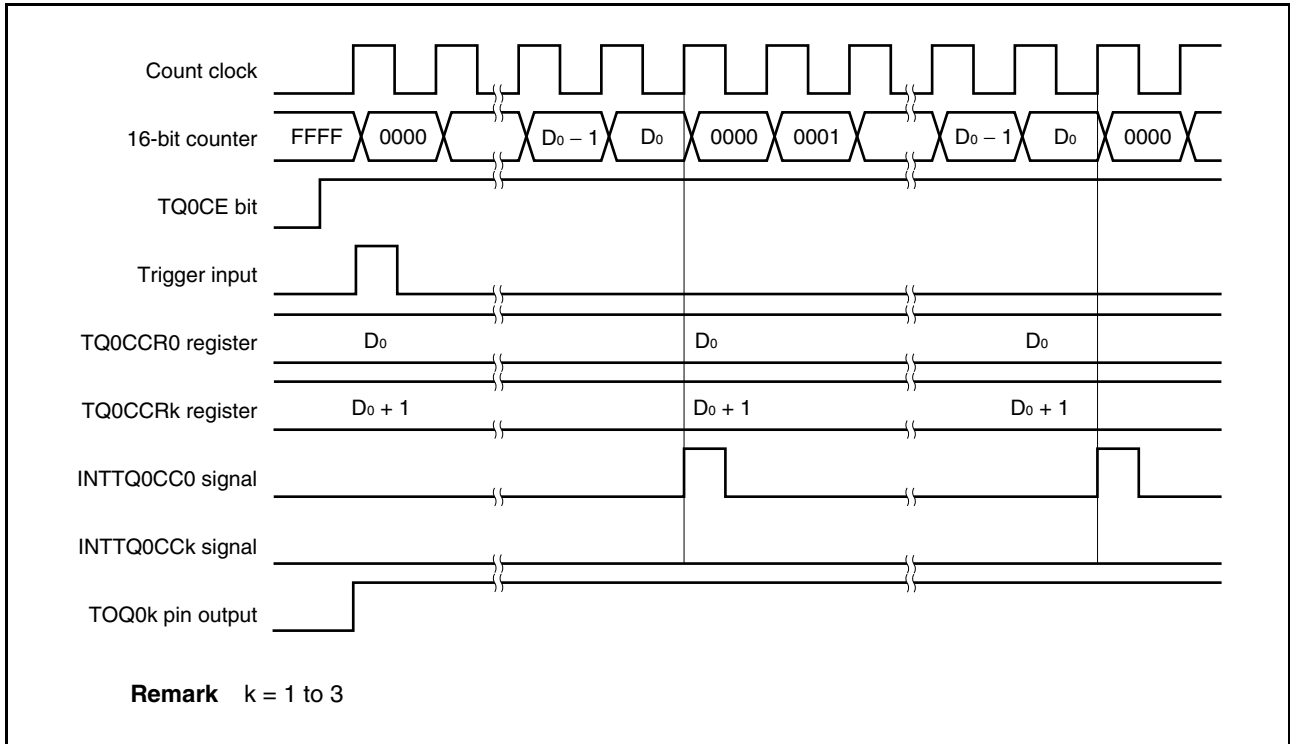
(b) Outputting a 0% or 100% PWM waveform

To output a 0% waveform, clear the TQ0CCRk register to 0000H. Note that if the set value of the TQ0CCR0 register is FFFFH, the INTTQ0CCK signal is generated periodically.

Figure 8-31. Outputting 0% PWM Waveform

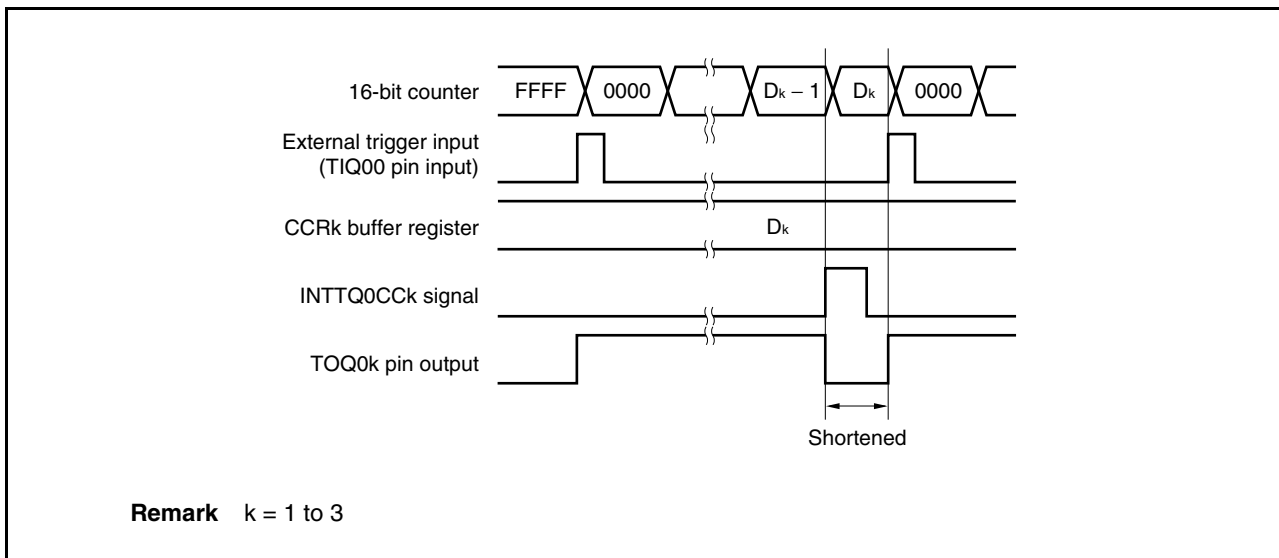
To output a 100% waveform, set the value of TQ0CCR0 register + 1 to the TQ0CCRk register.
 If the value of the TQ0CCR0 register is FFFFH, a 100% waveform cannot be output.

Figure 8-32. Outputting 100% PWM Waveform

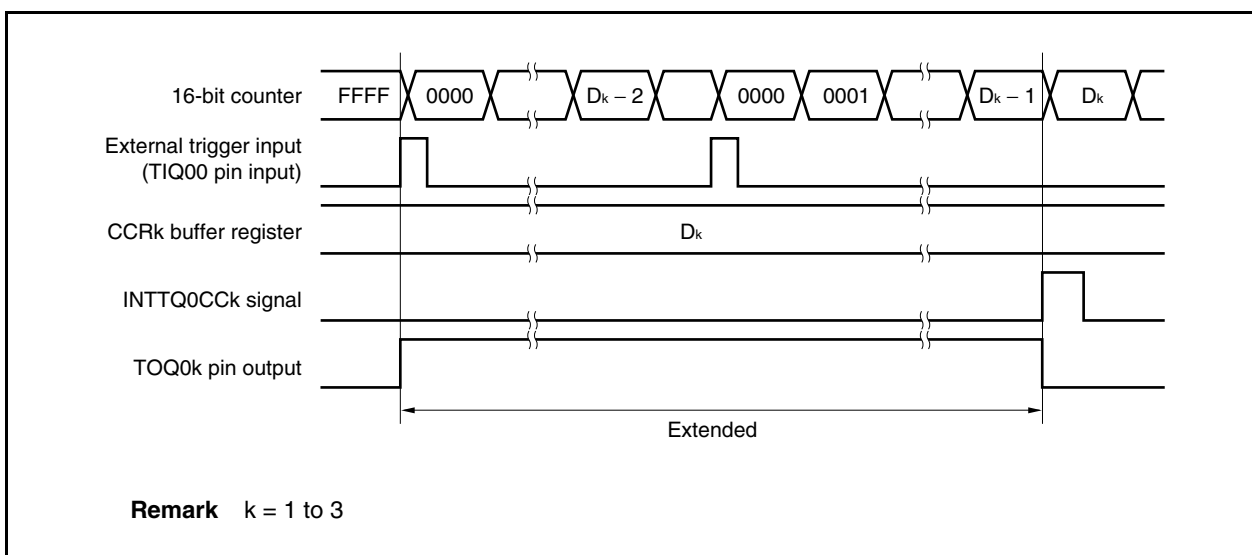


(c) Detection of trigger immediately before or after INTTQ0CCk generation

If the trigger is detected immediately after the INTTQ0CCk signal is generated, the 16-bit counter is immediately cleared to 0000H, the output signal of the TOQ0k pin is set to the active level, and the counter continues incrementing. Consequently, the inactive period of the PWM waveform is shortened.

Figure 8-33. Detection of Trigger Immediately After INTTQ0CCk Signal Was Generated

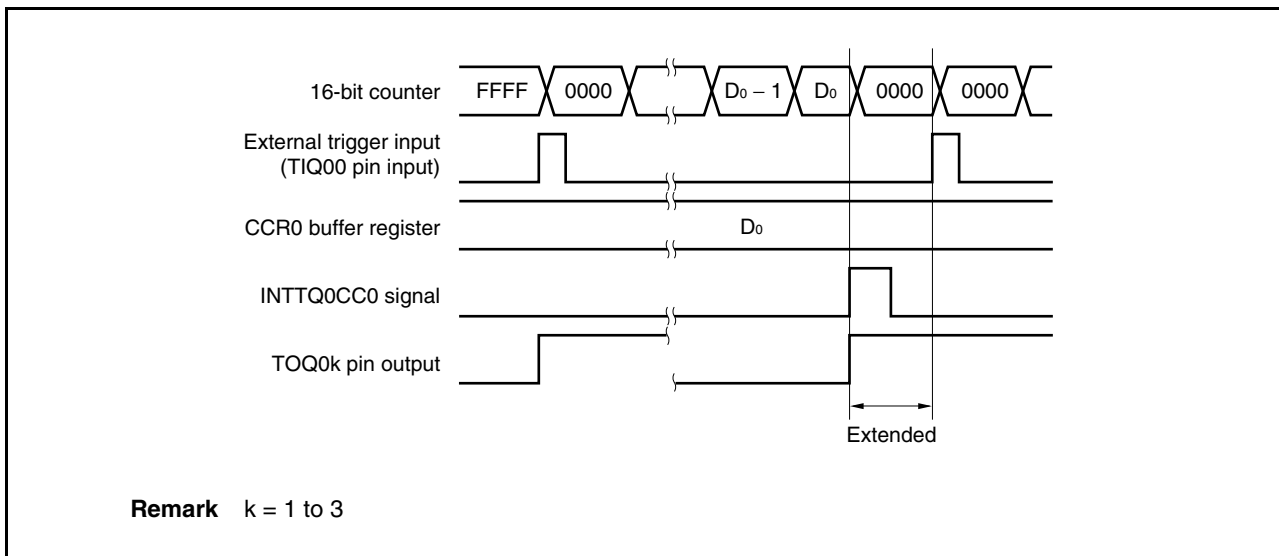
If the trigger is detected immediately before the INTTQ0CCk signal is generated, the INTTQ0CCk signal is not generated, and the 16-bit counter is cleared to 0000H and continues incrementing. The output signal of the TOQ0k pin remains active. Consequently, the active period of the PWM waveform is extended.

Figure 8-34. Detection of Trigger Immediately Before INTTQ0CCk Signal Is Generated

(d) Detection of trigger immediately before or after INTTQ0CC0 generation

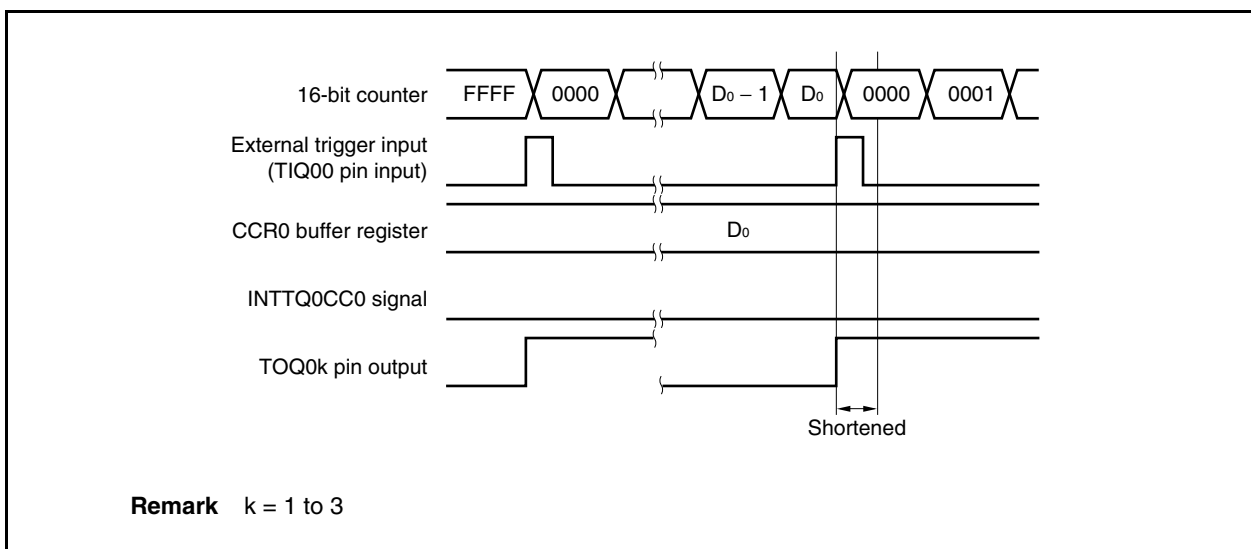
If the trigger is detected immediately after the INTTQ0CC0 signal is generated, the 16-bit counter is cleared to 0000H and continues incrementing. Therefore, the active period of the TOQ0k pin is extended by the amount of time between the generation of the INTTQ0CC0 signal and the detection of the trigger.

Figure 8-35. Detection of Trigger Immediately After INTTQ0CC0 Signal Was Generated



If the trigger is detected immediately before the INTTQ0CC0 signal is generated, the INTTQ0CC0 signal is not generated. The 16-bit counter is cleared to 0000H, the TOQ0k pin output is set to the active level, and the counter continues incrementing. Consequently, the inactive period of the PWM waveform is shortened.

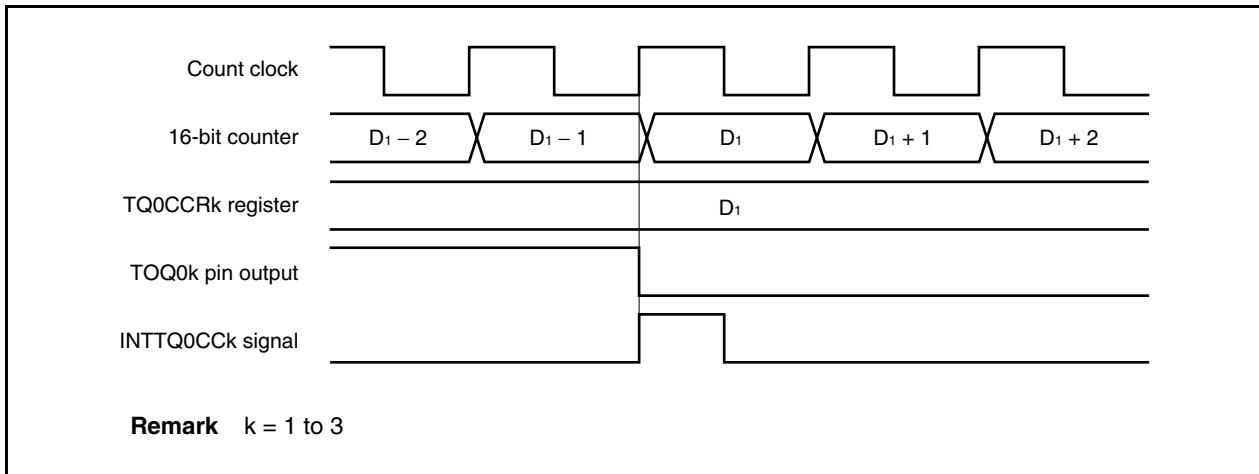
Figure 8-36. Detection of Trigger Immediately Before INTTQ0CC0 Signal Is Generated



(e) Timing of generating the compare match interrupt request signal (INTTQ0CCK)

In the external trigger pulse output mode, the INTTQ0CCK signal is generated when the value of the 16-bit counter matches the value of the TQ0CCRk register.

Figure 8-37. Timing of Generating Compare Match Interrupt Signal (INTTQ0CCK)



8.4.4 One-shot pulse output mode (TQ0MD2 to TQ0MD0 bits = 011)

In the one-shot pulse output mode, when the TQ0CTL0.TQ0CE bit is set to 1, TMQ0 waits for a trigger, which is the valid edge of the external trigger input, and starts incrementing when this trigger is detected. TMQ0 then outputs a one-shot pulse from the TOQ01 to TOQ03 pins.

Instead of the external trigger, a software trigger can also be generated to output the pulse. When the software trigger is used, the TOQ00 pin outputs the active level signal while the 16-bit counter is incrementing, and the inactive level signal when the counter is stopped (waiting for a trigger).

- Remarks 1.** For how to set the TIQ00 and TOQ00 to TOQ03 pins, see **Table 8-2 Pins Used by TMQ0** and **Table 4-15 Settings When Pins Are Used for Alternate Functions**.
- 2.** For how to enable the INTTQ0CC0 to INTTQ0CC3 interrupt signals, see **CHAPTER 22 INTERRUPT SERVICING/EXCEPTION PROCESSING FUNCTION**.

Figure 8-38. Configuration of TMQ0 in One-Shot Pulse Output Mode

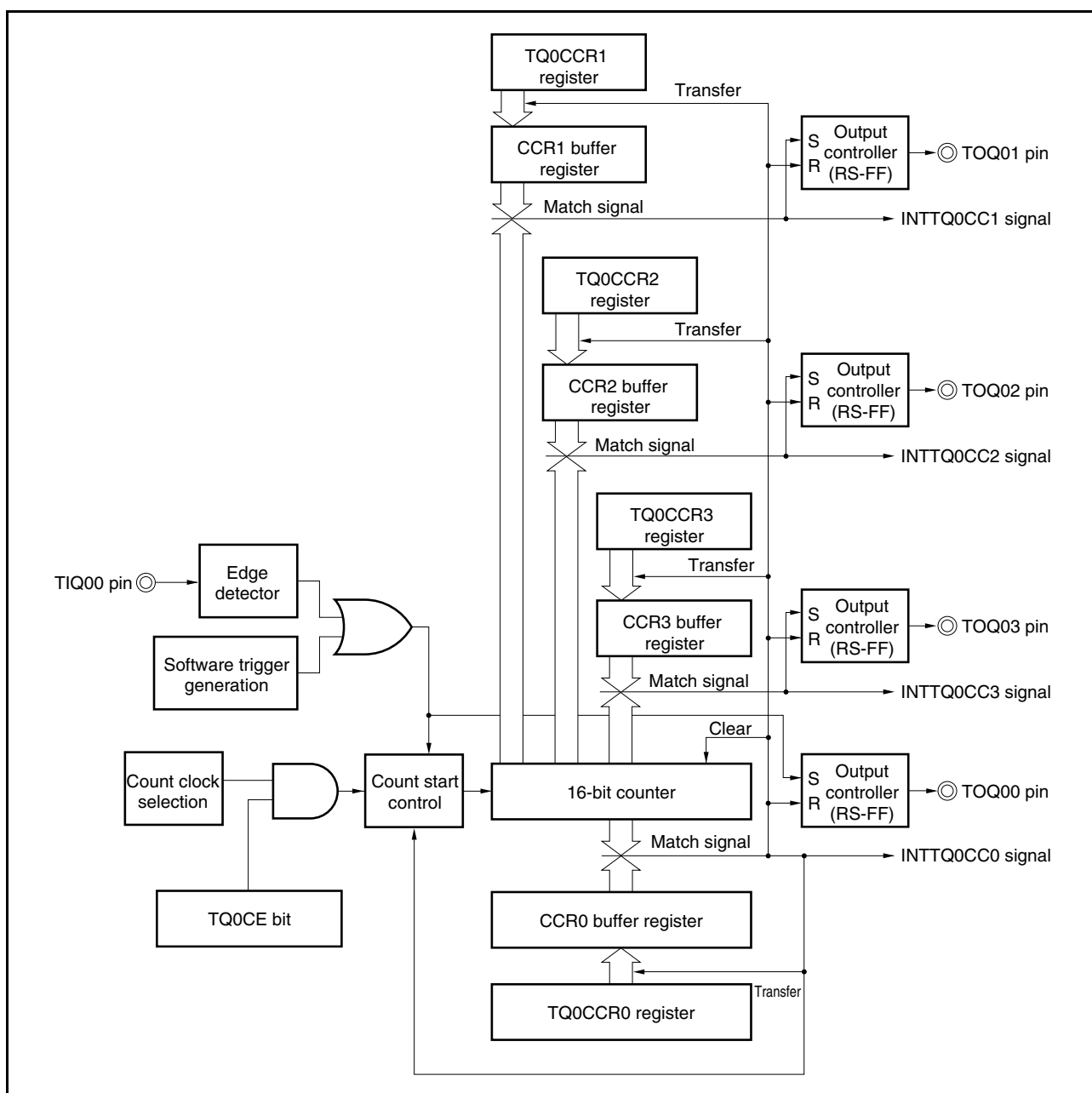
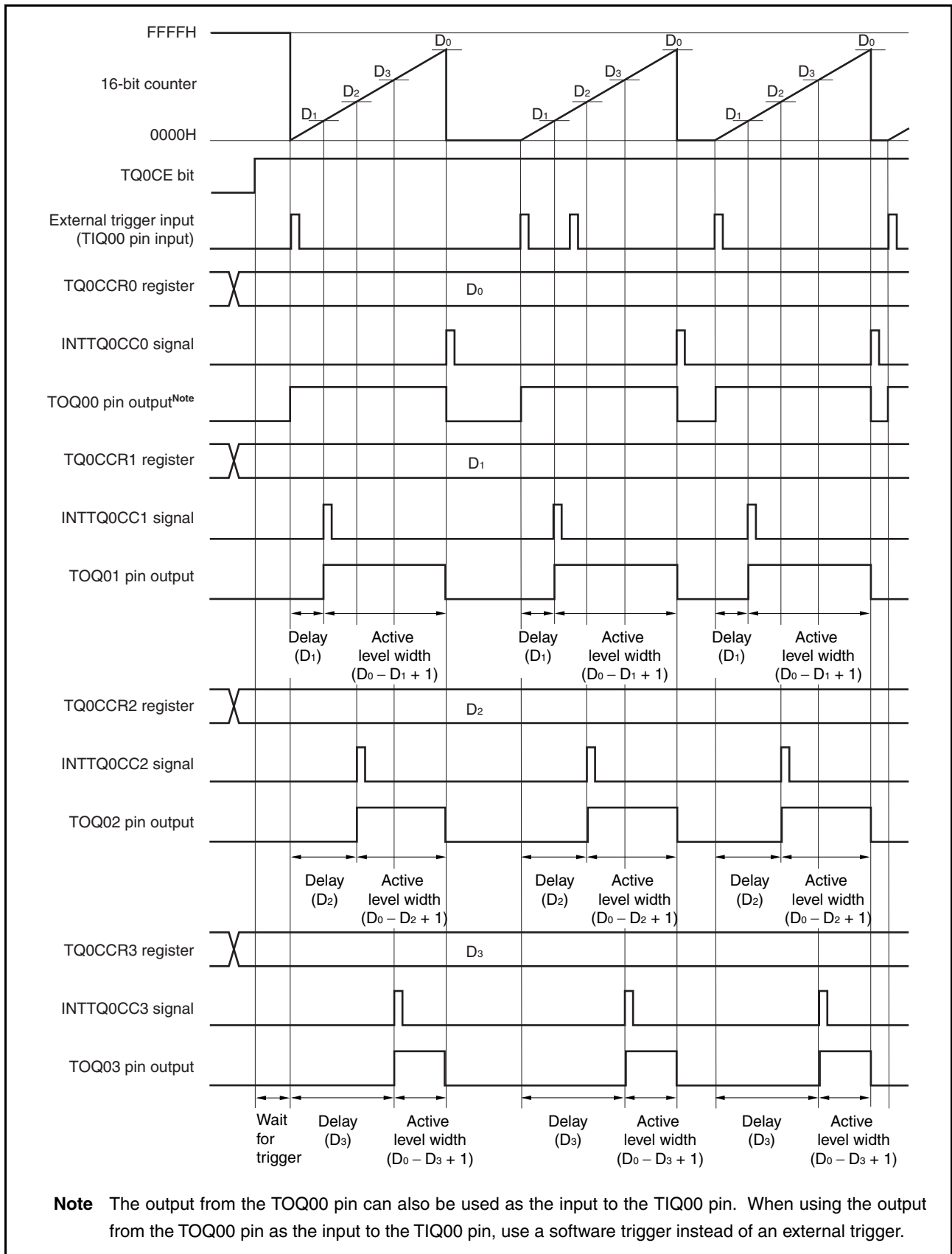


Figure 8-39. Basic Timing of Operations in One-Shot Pulse Output Mode



When the TQ0CE bit is set to 1, TMQ0 waits for a trigger. When the trigger is generated, the 16-bit counter is cleared from FFFFH to 0000H, starts incrementing, and outputs a one-shot pulse from the TQ0Qk pin. After the one-shot pulse is output, the 16-bit counter is set to 0000H, stops incrementing, and waits for a trigger. If a trigger is generated again while the one-shot pulse is being output, it is ignored.

The output delay period and active level width of the one-shot pulse can be calculated as follows:

$$\text{Output delay period} = (\text{Set value of TQ0CCRk register}) \times \text{Count clock cycle}$$

$$\text{Active level width} = (\text{Set value of TQ0CCR0 register} - \text{Set value of TQ0CCRk register} + 1) \times \text{Count clock cycle}$$

The INTTQ0CC0 compare match interrupt request signal is generated when the 16-bit counter increments next time after its value matches the value of the CCR0 buffer register. The INTTQ0Ck compare match interrupt request signal is generated when the value of the 16-bit counter matches the value of the CCRk buffer register.

Either the valid edge of the external trigger input signal or setting the software trigger (TQ0CTL1.TQ0EST bit) to 1 is used as the trigger.

Remark k = 1 to 3

Figure 8-40. Register Settings in One-Shot Pulse Output Mode (1/3)

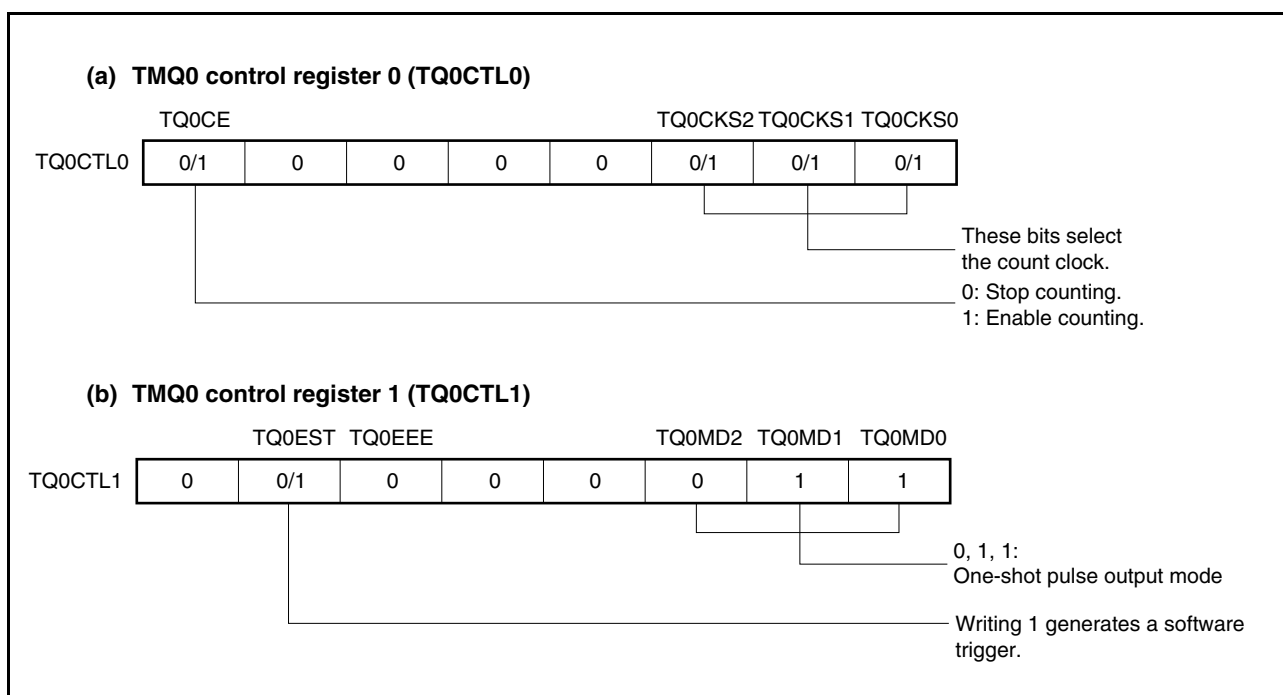


Figure 8-40. Register Settings in One-Shot Pulse Output Mode (2/3)

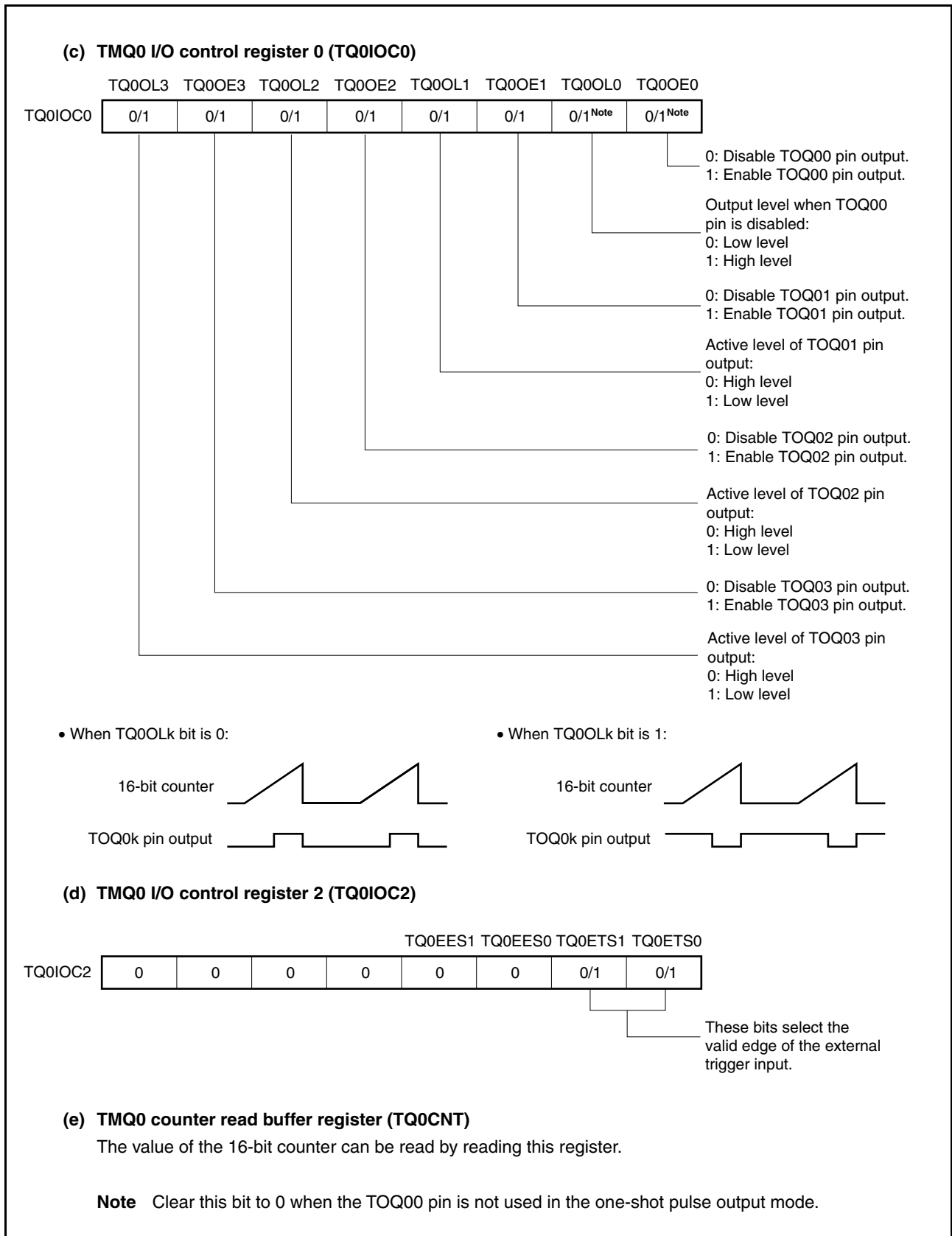


Figure 8-40. Register Settings in One-Shot Pulse Output Mode (3/3)**(f) TMQ0 capture/compare registers 0 to 3 (TQ0CCR0 to TQ0CCR3)**

If the TQ0CCR0 register is set to D_0 and the TQ0CCR k register is set to D_k , the one-shot pulse is as follows:

One-shot pulse active level width = $(D_0 - D_k + 1) \times$ Count clock cycle

One-shot pulse output delay period = $D_k \times$ Count clock cycle

Caution One-shot pulses are not output from the TOQ0 k pin in the one-shot pulse output mode if the value of the TQ0CCR k register is greater than the value of the TQ0CCR0 register.

Remarks 1. TMQ0 I/O control register 1 (TQ0IOC1) and TMQ0 option register 0 (TQ0OPT0) are not used in the one-shot pulse output mode.

2. $k = 1$ to 3

(1) Operations in one-shot pulse output mode

Figure 8-41. Timing and Processing of Operations in One-Shot Pulse Output Mode (1/2)

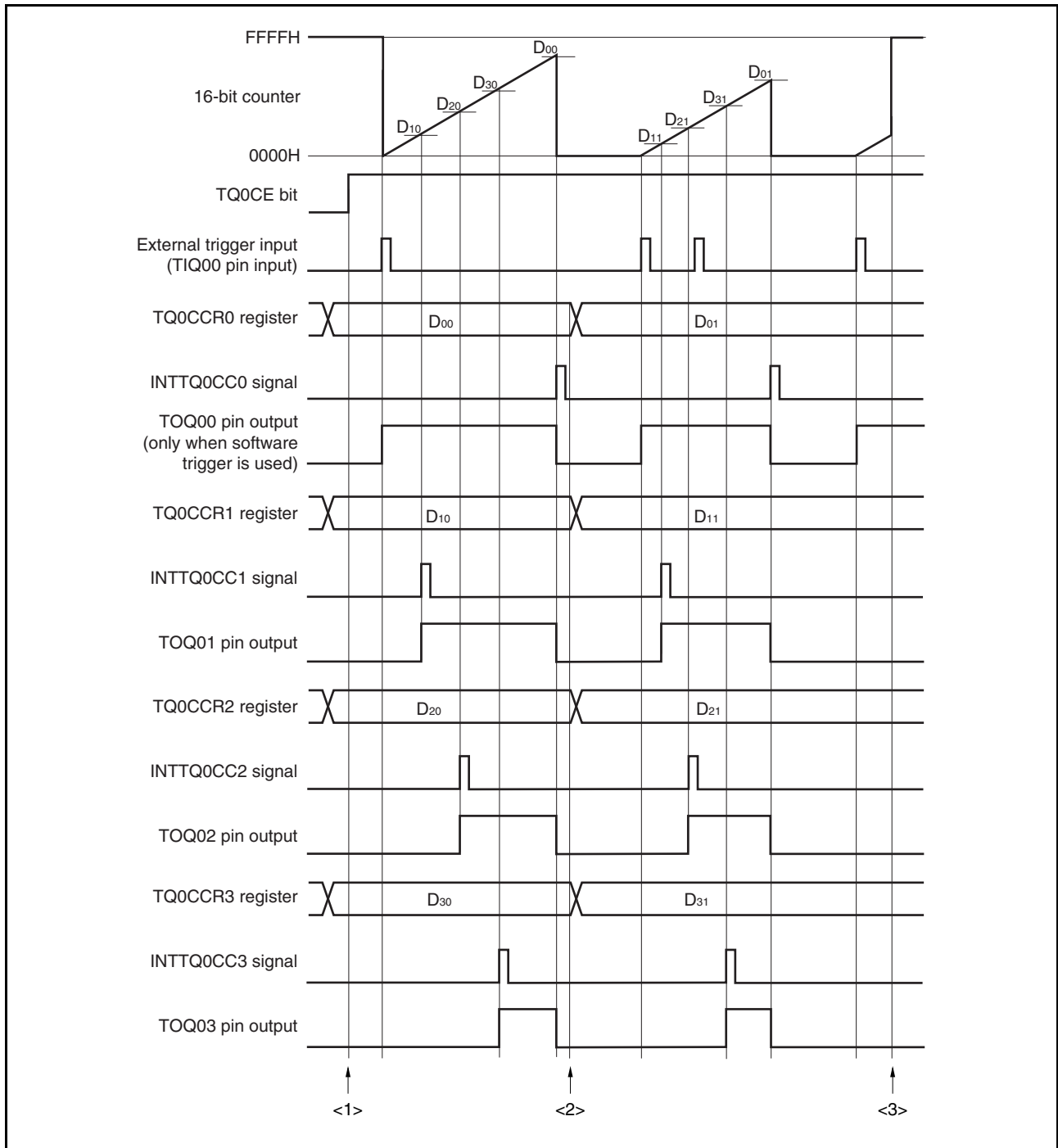
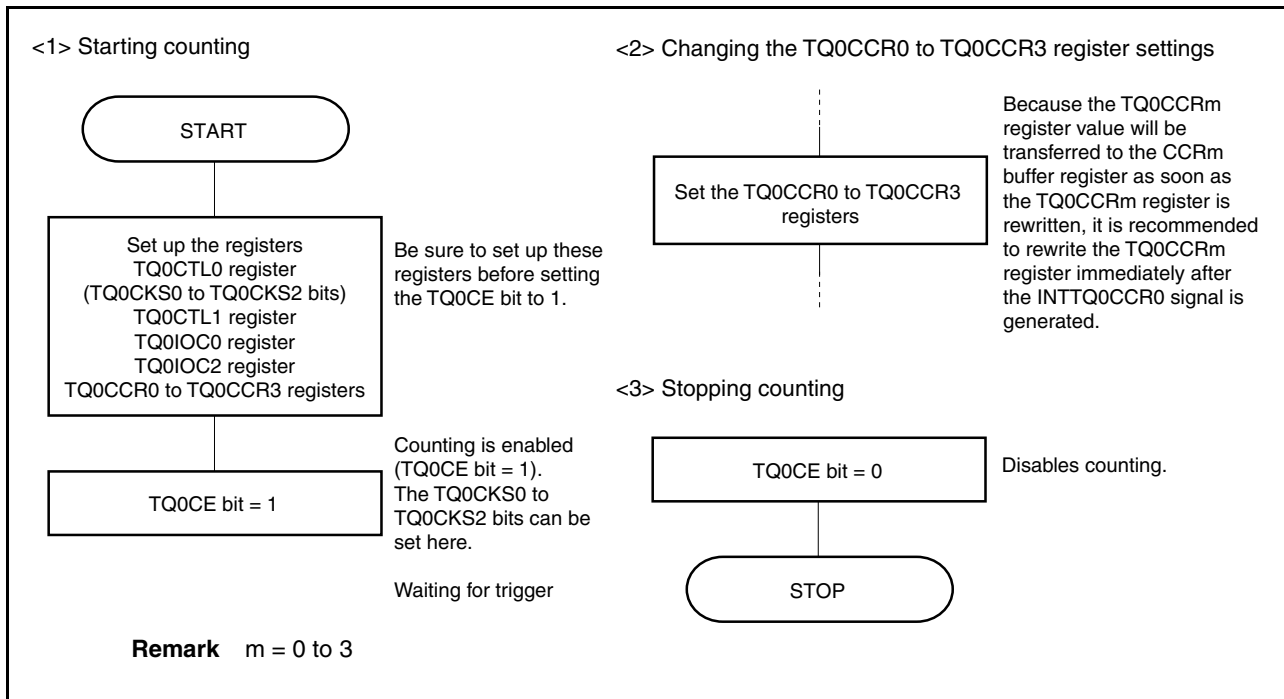


Figure 8-41. Timing and Processing of Operations in One-Shot Pulse Output Mode (2/2)



(2) Using one-shot pulse mode**(a) Rewriting the TQ0CCRm register**

When rewriting the value of the TQ0CCRm register to a smaller value, stop counting first and then change the set value.

When changing the value of the TQ0CCR0 register from D_{00} to D_{01} and the value of the TQ0CCRk register from D_{k0} to D_{k1} , if the registers are rewritten under any of the following conditions, a one-shot pulse will not be output as expected.

Condition 1 When rewriting the TQ0CCR0 register, if:

$D_{00} > D_{01}$ or,

$D_{00} < 16\text{-bit counter value} < D_{01}$

In the case of condition 1, the 16-bit counter will not be cleared and will overflow in the cycle in which the new value is being written. The counter will be cleared for the first time at the newly written value (D_{01}).

Condition 2 When rewriting the TQ0CCRk register, if:

$D_{k0} > D_{k1}$ or,

$D_{k0} < 16\text{-bit counter value} < D_{k1}$

In the case of condition 2, the TOQ0k pin output cannot be inverted to the active level in the cycle in which the new value is being written.

An example of what happens when condition 1 and condition 2 are satisfied in the same cycle is shown in Figure 8-42.

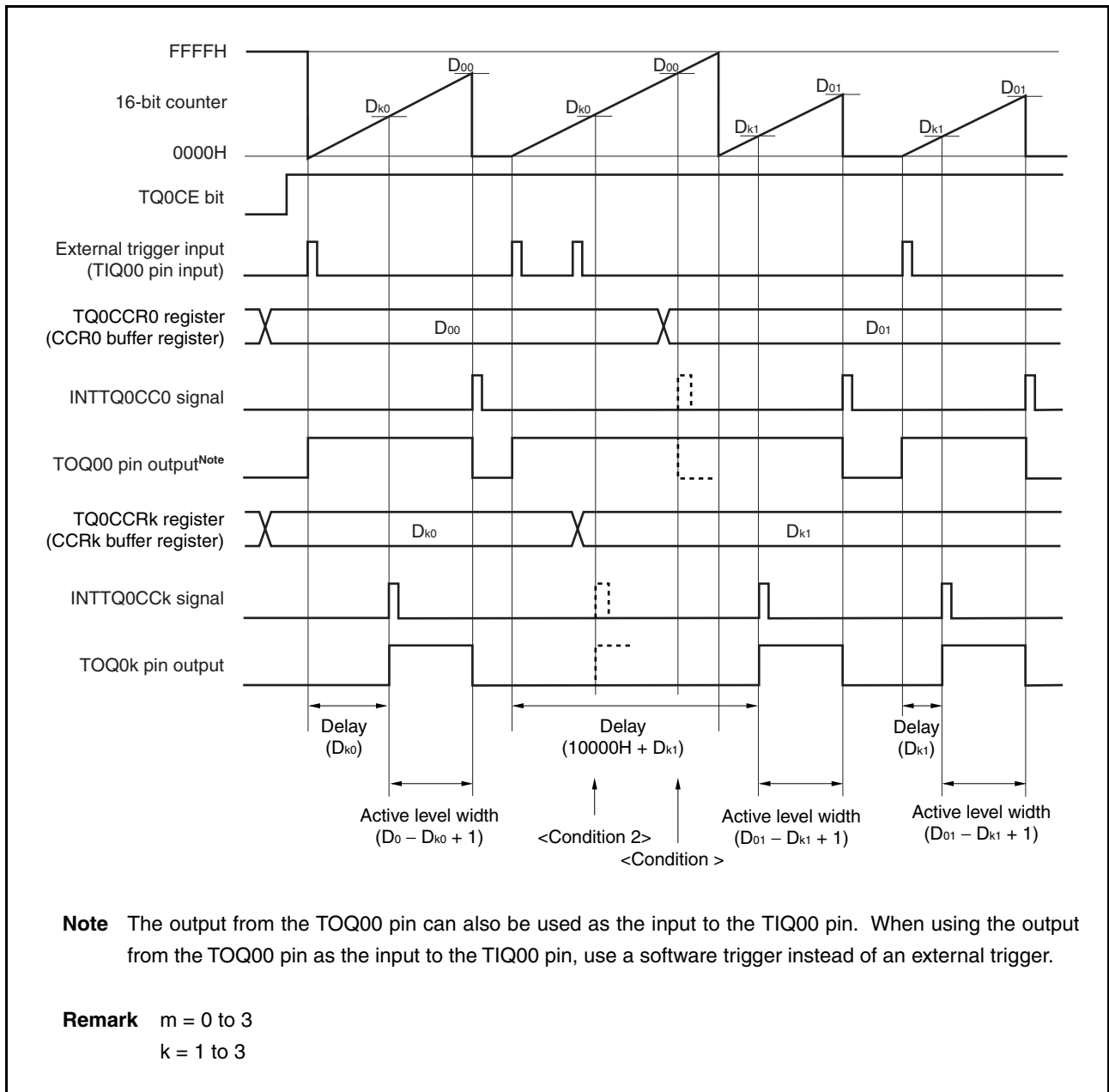
The 16-bit counter increments up to FFFFH, overflows, and starts incrementing again from 0000H.

When the 16-bit counter value matches D_{k1} , the INTTQ0CCk signal is generated and the TOQ0k pin output is set to the active level. Subsequently, when the 16-bit counter value matches D_{01} , the INTTQ0CC0 signal is generated, the TOQ0k pin output is set to the inactive level, and the counter stops incrementing.

Remark $m = 0$ to 3

$K = 1$ to 3

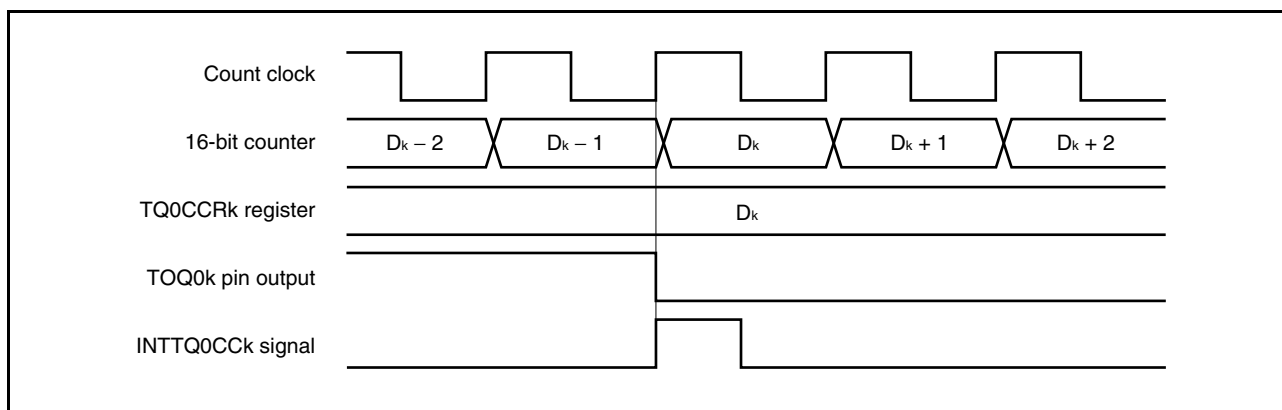
Figure 8-42. Rewriting TQ0CCRm Register



(b) Timing of generating the compare match interrupt request signal (INTTQ0CCK)

In the one-shot pulse output mode, the INTTQ0CCK signal is generated when the value of the 16-bit counter matches the value of the TQ0CCRk register.

Figure 8-43. Timing of Generating Compare Match Interrupt Signal (INTTQ0CCK)



Remark k = 1 to 3

8.4.5 PWM output mode (TQ0MD2 to TQ0MD0 bits = 100)

In the PWM output mode, when the TQ0CTL0.TQ0CE bit is set to 1, TMQ0 outputs a PWM waveform from the TOQ01 to TOQ03 pins.

A pulse that has one cycle of the PWM waveform as half its cycle can also be output from the TOQ00 pin.

- Remarks 1.** For how to set the TIQ00 and TOQ00 to TOQ03 pins, see **Table 8-2 Pins Used by TMQ0** and **Table 4-15 Settings When Pins Are Used for Alternate Functions**.
- 2.** For how to enable the INTTQ0CC0 to INTTQ0CC3 interrupt signals, see **CHAPTER 22 INTERRUPT SERVICING/EXCEPTION PROCESSING FUNCTION**.

Figure 8-44. Configuration of TMQ0 in PWM Output Mode

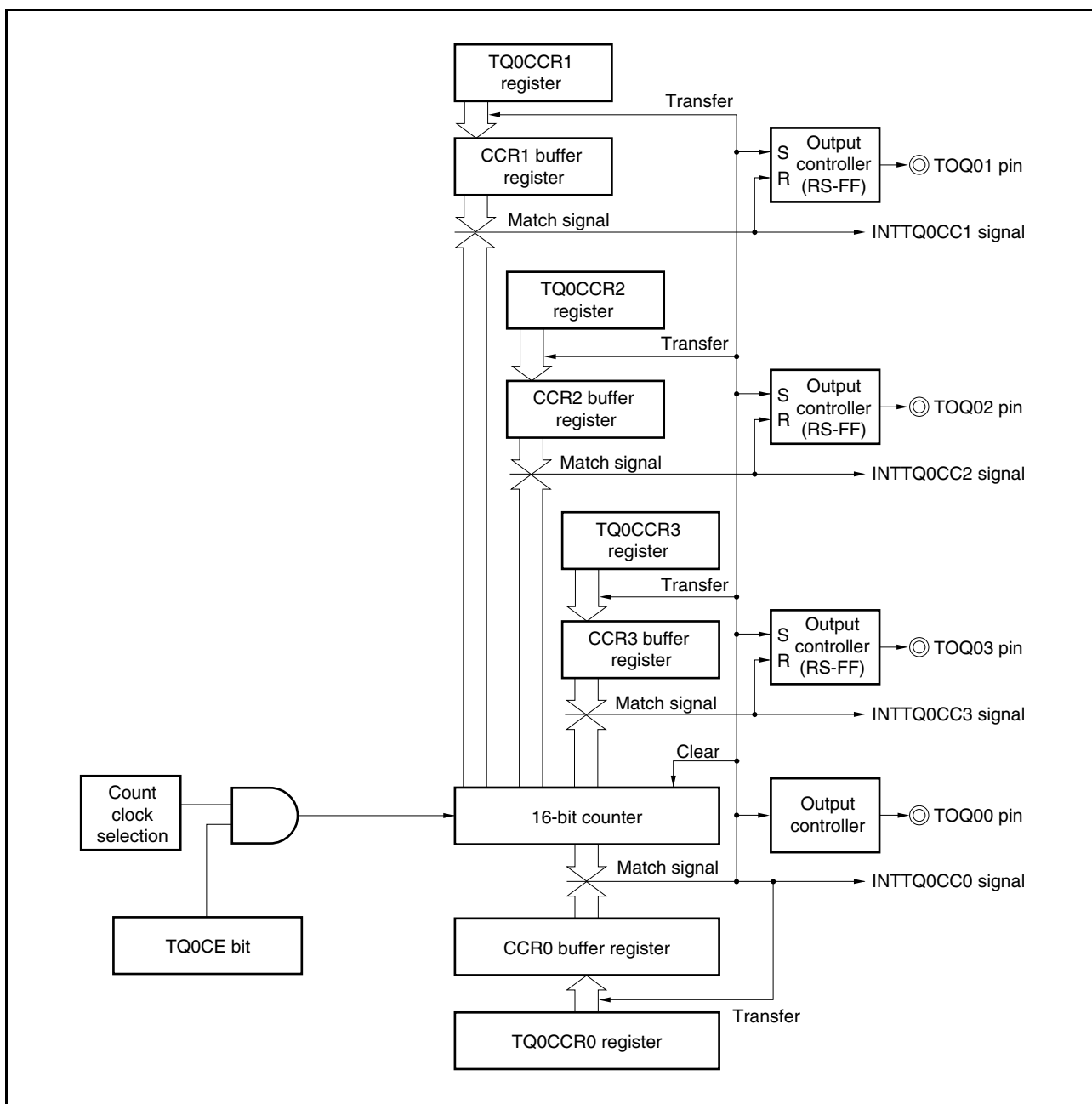
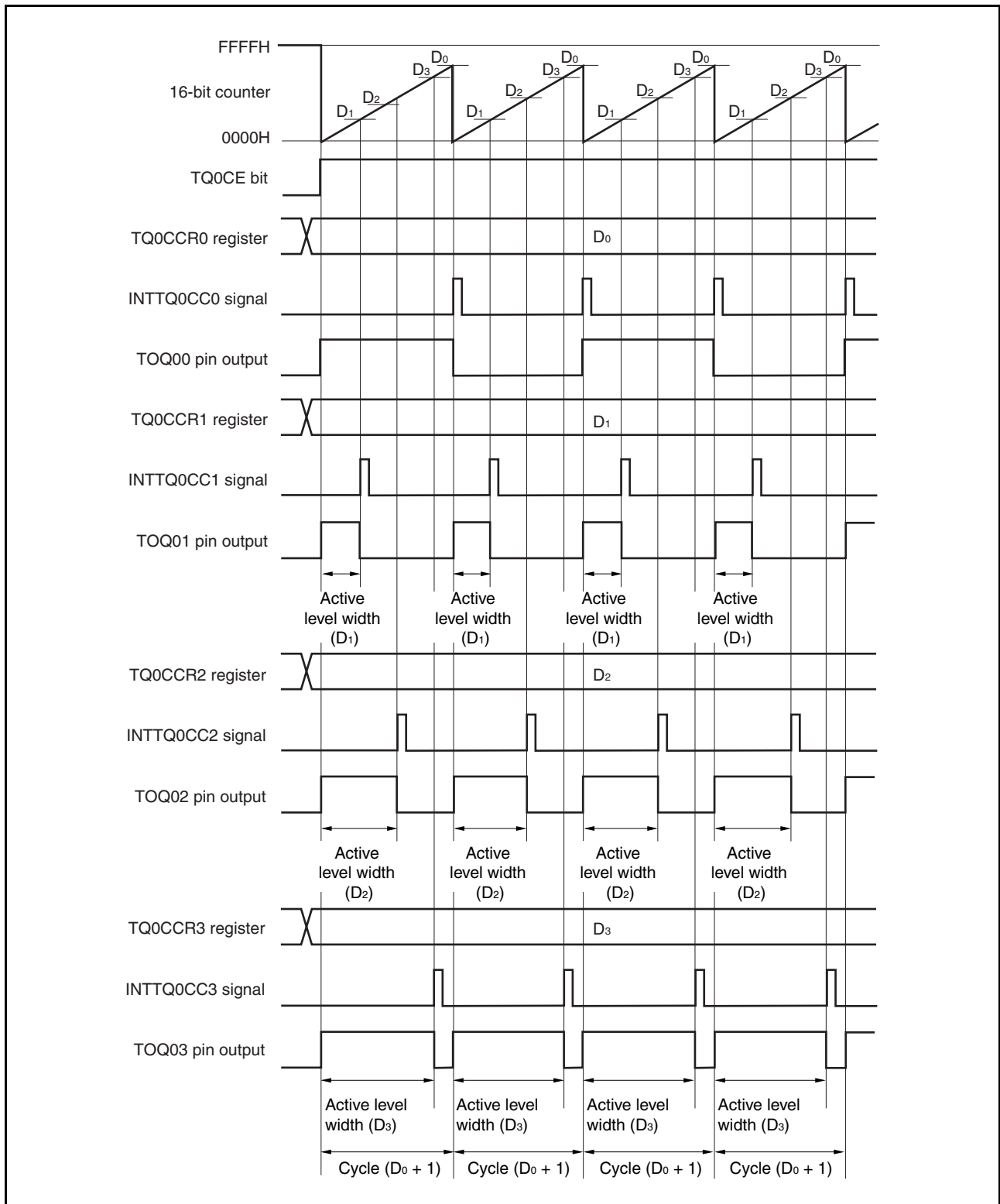


Figure 8-45. Basic Timing of Operations in PWM Output Mode



When the TQ0CE bit is set to 1, the 16-bit counter is cleared from FFFFH to 0000H, starts incrementing, and outputs a PWM waveform from the TOQ0k pin.

The active level width, cycle, and duty factor of the PWM waveform can be calculated as follows:

$$\text{Active level width} = (\text{Set value of TQ0CCRk register}) \times \text{Count clock cycle}$$

$$\text{Cycle} = (\text{Set value of TQ0CCR0 register} + 1) \times \text{Count clock cycle}$$

$$\text{Duty factor} = (\text{Set value of TQ0CCRk register}) / (\text{Set value of TQ0CCR0 register} + 1)$$

The PWM waveform can be changed by rewriting the TQ0CCRm register while the counter is incrementing. The newly written value is reflected when the value of the 16-bit counter matches the value of the CCR0 buffer register and the 16-bit counter is cleared to 0000H.

The INTTQ0CC0 compare match interrupt request signal is generated when the 16-bit counter increments next time after its count value matches the value of the CCR0 buffer register, and the 16-bit counter is cleared to 0000H. The INTTQ0CCk compare match interrupt request signal is generated when the value of the 16-bit counter matches the value of the CCRk buffer register.

Remark k = 1 to 3
m = 0 to 3

Figure 8-46. Register Settings in PWM Output Mode (1/3)

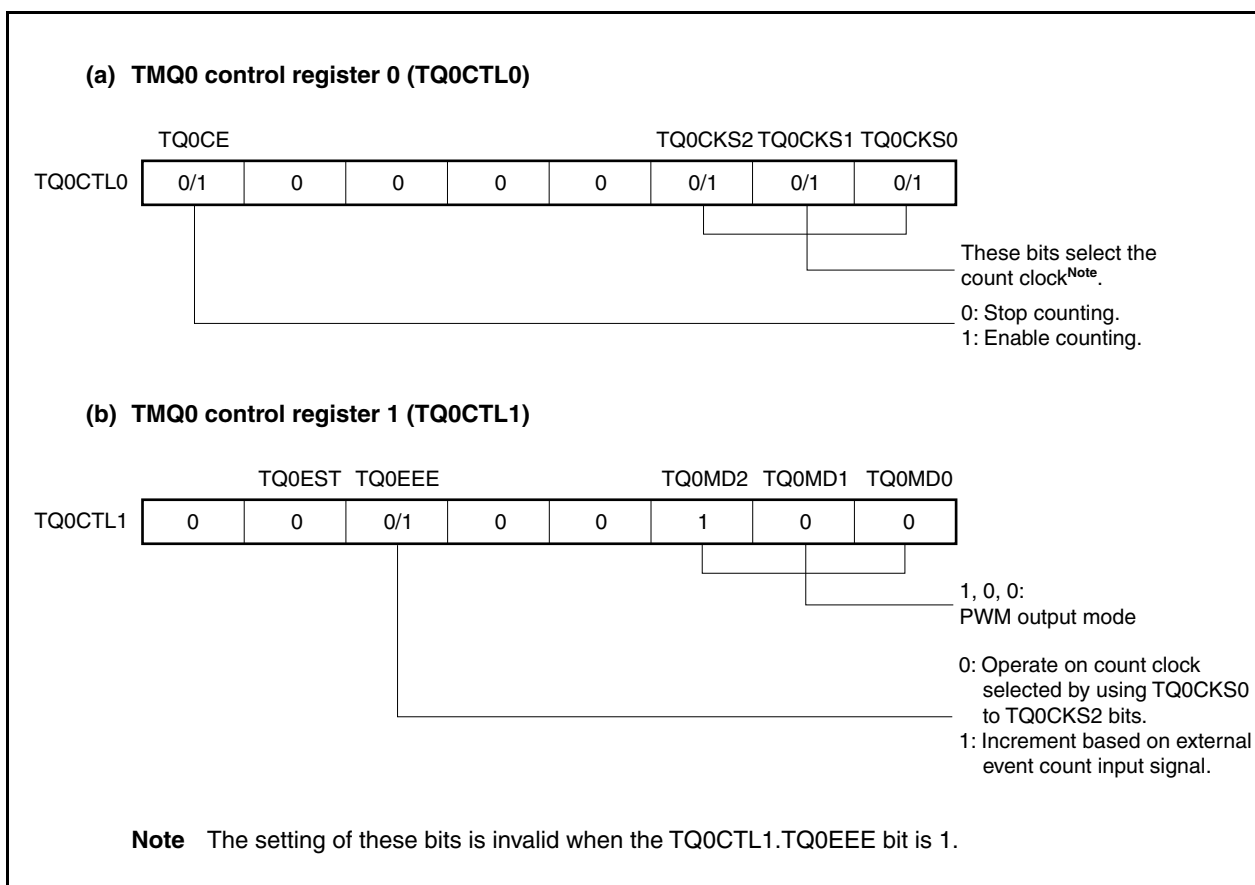


Figure 8-46. Register Settings in PWM Output Mode (2/3)

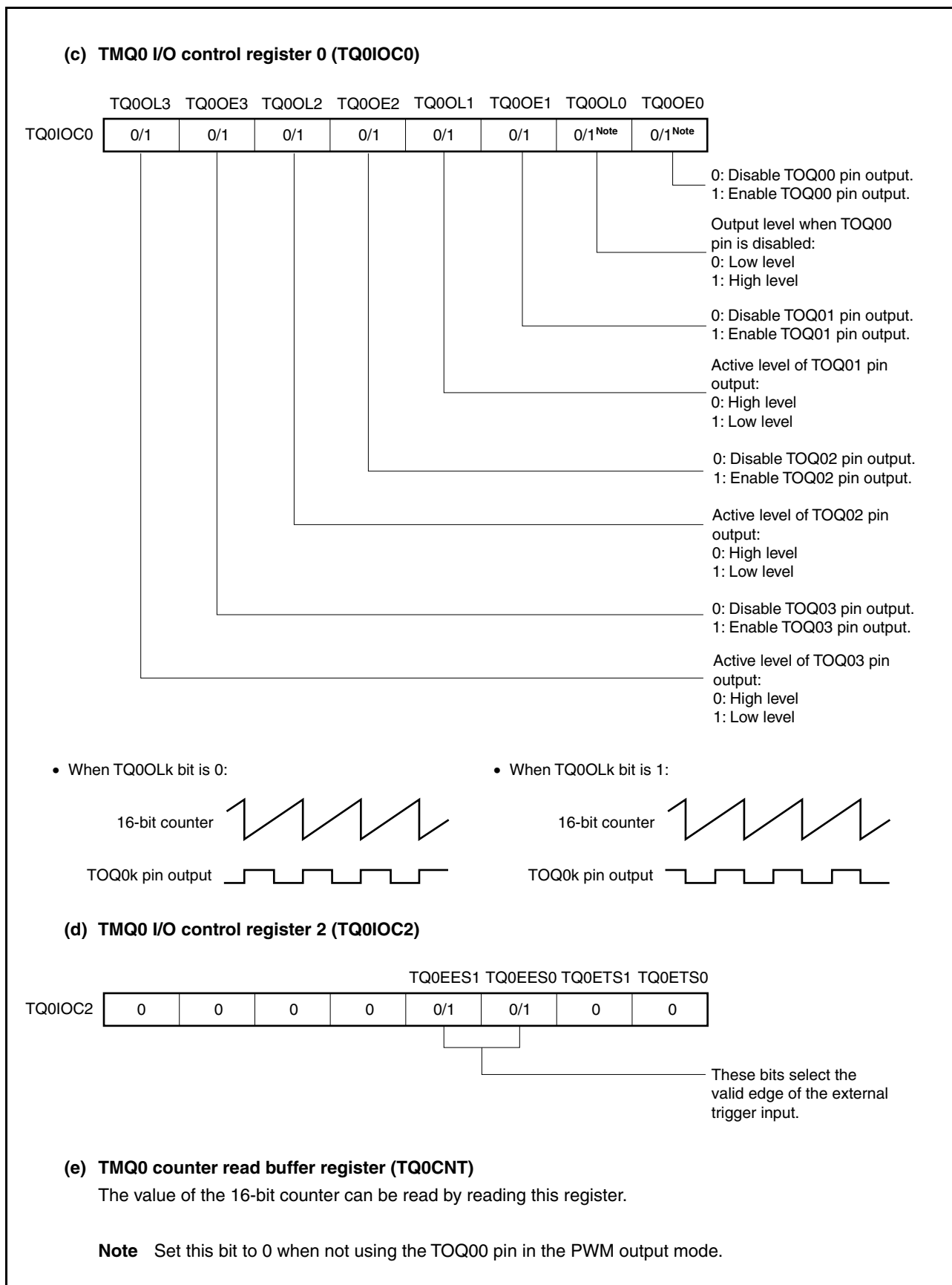


Figure 8-46. Register Settings in PWM Output Mode (3/3)**(f) TMQ0 capture/compare registers 0 to 3 (TQ0CCR0 to TQ0CCR3)**

If the TQ0CCR0 register is set to D_0 and the TQ0CCR $_k$ register is set to D_k , the PWM waveform is as follows:

PWM waveform cycle = $(D_0 + 1) \times$ Count clock cycle

PWM waveform active level width = $D_k \times$ Count clock cycle

- Remarks**
1. TMQ0 I/O control register 1 (TQ0IOC1) and TMQ0 option register 0 (TQ0OPT0) are not used in the PWM output mode.
 2. Updating TMQ0 capture/compare register 2 (TQ0CCR2) and TMQ0 capture/compare register 3 (TQ0CCR3) is enabled by writing to TMQ0 capture/compare register 1 (TQ0CCR1).

(1) Operations in PWM output mode

Figure 8-47. Timing and Processing of Operations in PWM Output Mode (1/2)

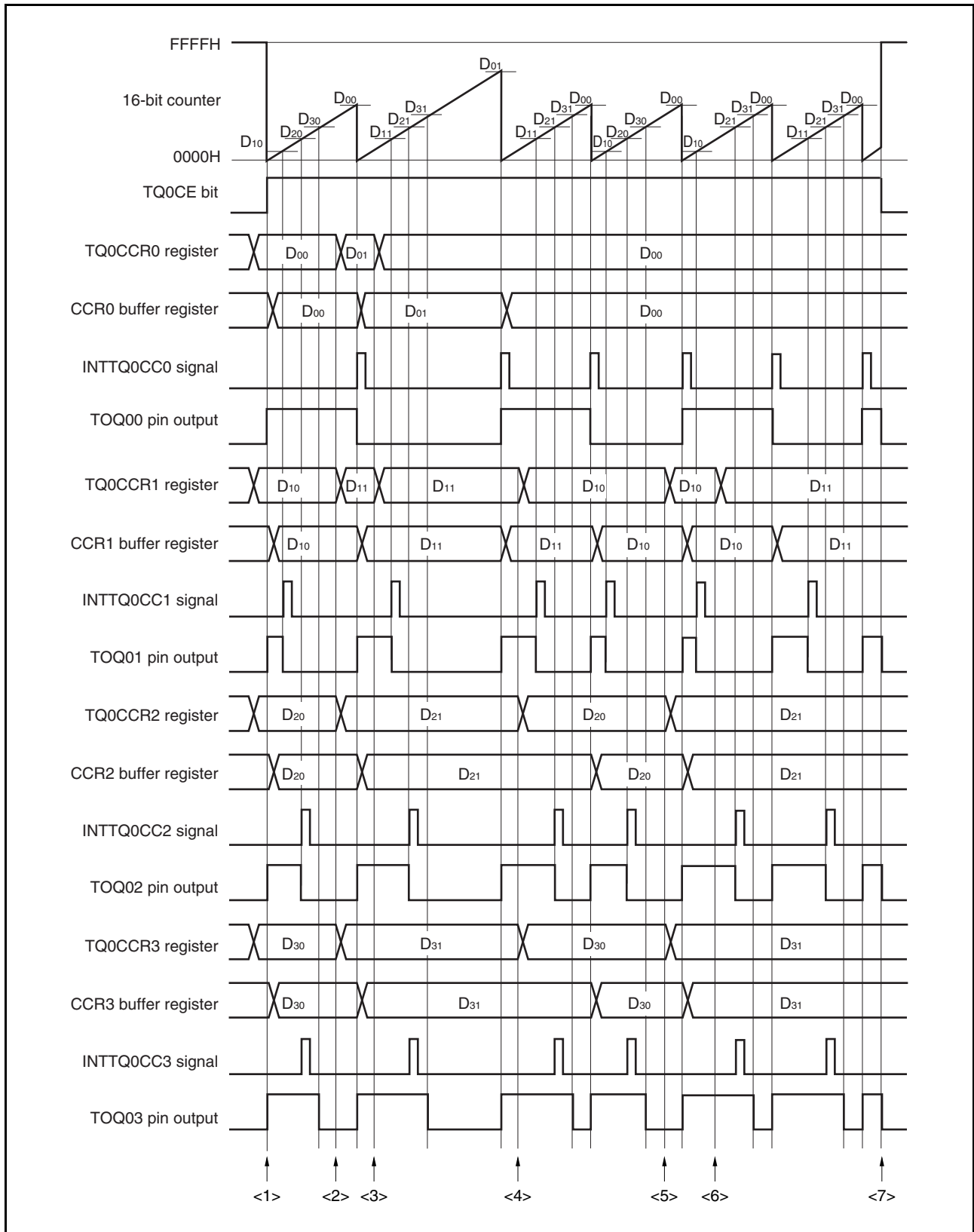
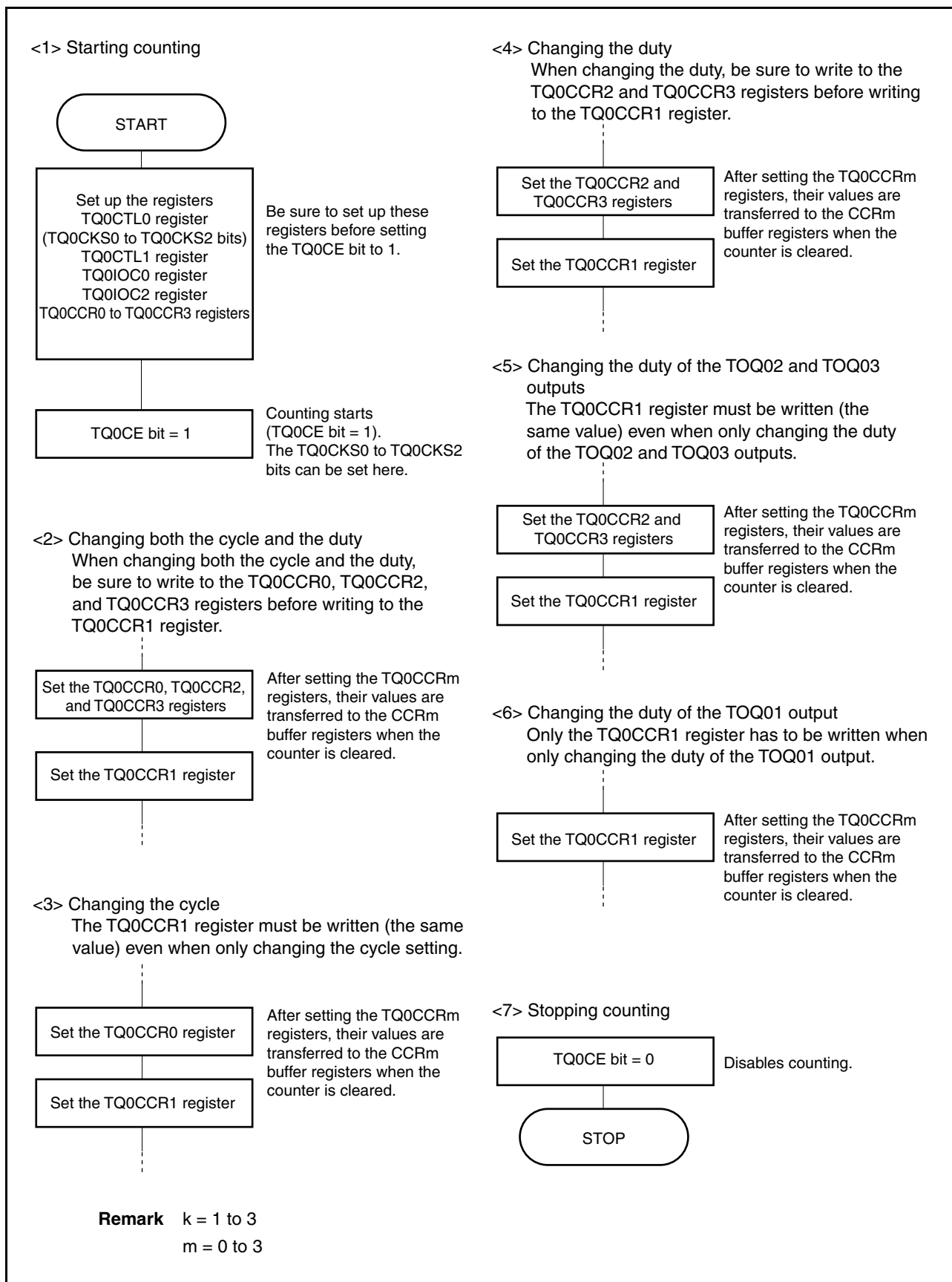


Figure 8-47. Timing and Processing of Operations in PWM Output Mode (2/2)

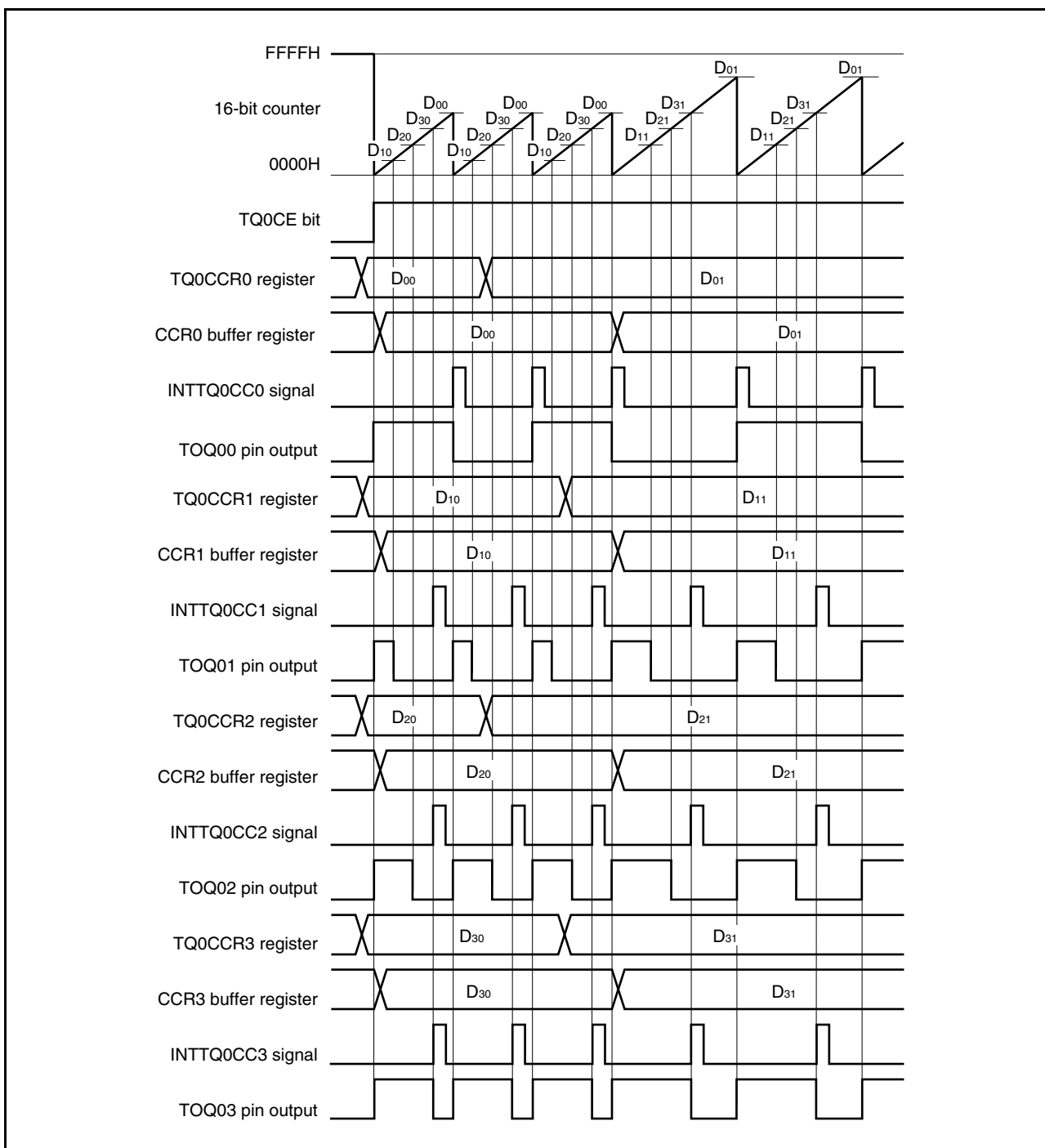


(2) Using PWM output mode

(a) Changing the PWM waveform while the counter is incrementing

To change the PWM waveform while the counter is incrementing, write to the TQ0CCR1 register after changing the waveform setting. When rewriting the TQ0CCRm register after writing to the TQ0CCR1 register, do so after the INTTQ0CC0 signal has been detected.

Figure 8-48. Changing PWM Waveform While Counter Is Incrementing



In order to transfer data from the TQ0CCRm register to the CCRm buffer register, the TQ0CCR1 register must be written.

After data is written to the TQ0CCR1 register, the value written to the TQ0CCRm register is transferred to the CCRm buffer register in synchronization with clearing of the 16-bit counter, and is used as the value to be compared with the 16-bit counter value.

- <1> To change both the cycle and active level width of the PWM waveform, first set the cycle to the TQ0CCR0 register and then set the active level width to the TQ0CCR2 and TQ0CCR3 registers, before setting the active level width to the TQ0CCR1 register.
- <2> To change only the cycle of the PWM waveform, first set the cycle to the TQ0CCR0 register, and then write the same value to the TQ0CCR1 register (that is, the same value as the value already specified for the TQ0CCR1 register).
- <3> To change only the active level width (duty factor) of the PWM waveform, first set the active level width to the TQ0CCR2 and TQ0CCR3 registers, and then set the active level width to the TQ0CCR1 register.
- <4> To change only the active level width (duty factor) of the PWM waveform output from the TOQ01 pin, only the TQ0CCR1 register has to be set.
- <5> To change only the active level width (duty factor) of the PWM waveform output from the TOQ02 and TOQ03 pins, first set the active level width to the TQ0CCR2 and TQ0CCR3 registers, and then write the same value to the TQ0CCR1 register (that is, the same value as the value already specified for the TQ0CCR1 register).

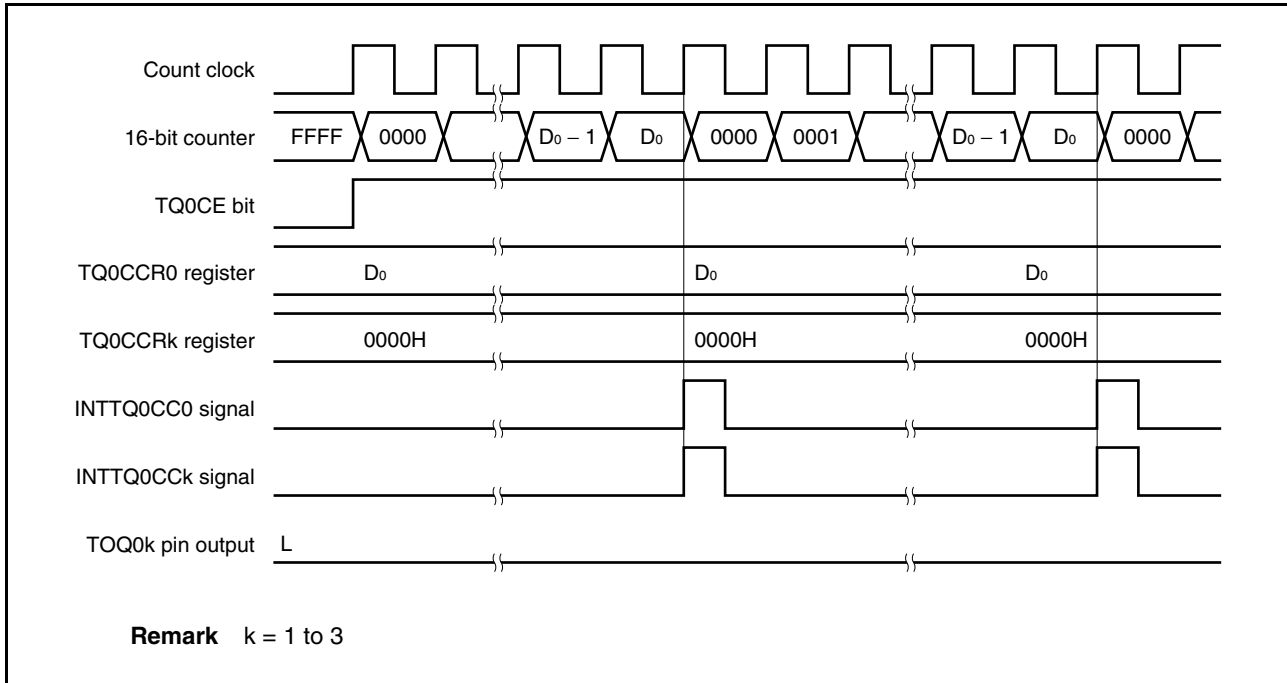
Caution To rewrite the TQ0CCR0 to TQ0CCR3 registers after writing the TQ0CCR1 register, do so after the INTTQ0CC0 signal has been generated; otherwise, the value of the CCRm buffer register may become undefined because the timing of transferring data from the TQ0CCRm register to the CCRm buffer register conflicts with writing the TQ0CCRm register.

Remark m = 0 to 3

(b) Outputting a 0% or 100% PWM waveform

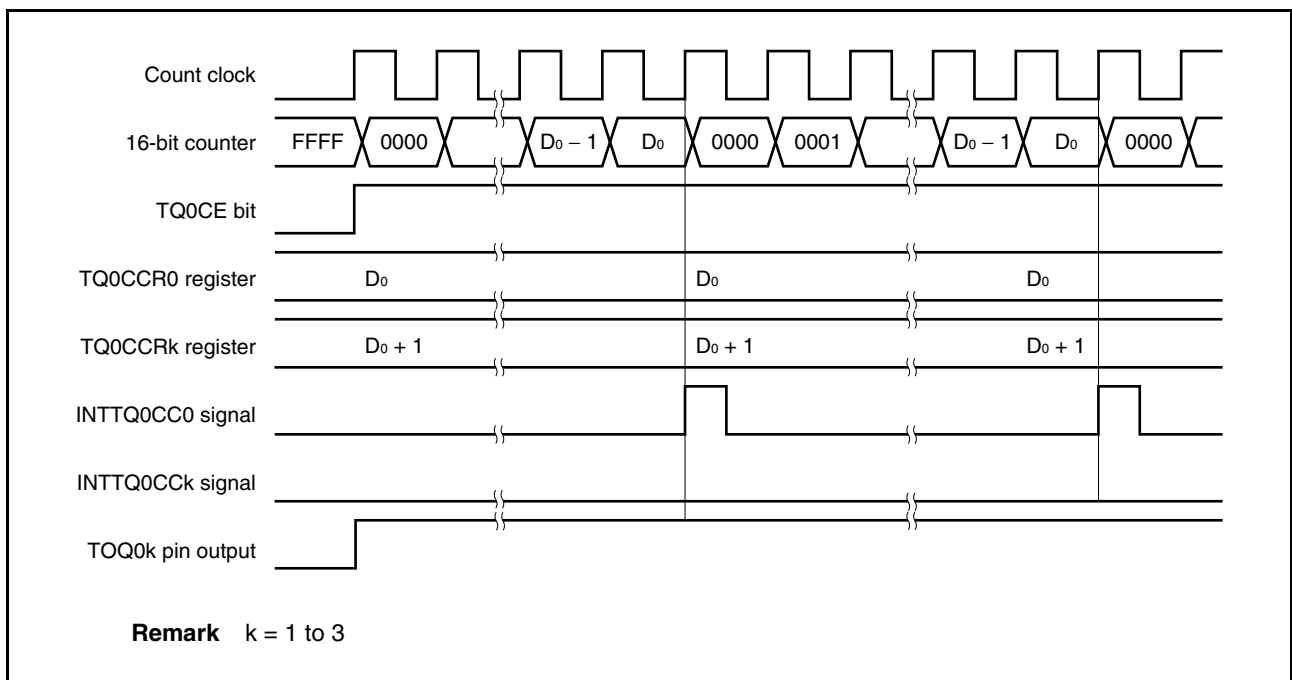
To output a 0% waveform, clear the TQ0CCRk register to 0000H.

Figure 8-49. Outputting 0% PWM Waveform



To output a 100% waveform, set the value of TQ0CCR0 register + 1 to the TQ0CCRk register. If the value of the TQ0CCR0 register is FFFFH, a 100% waveform cannot be output.

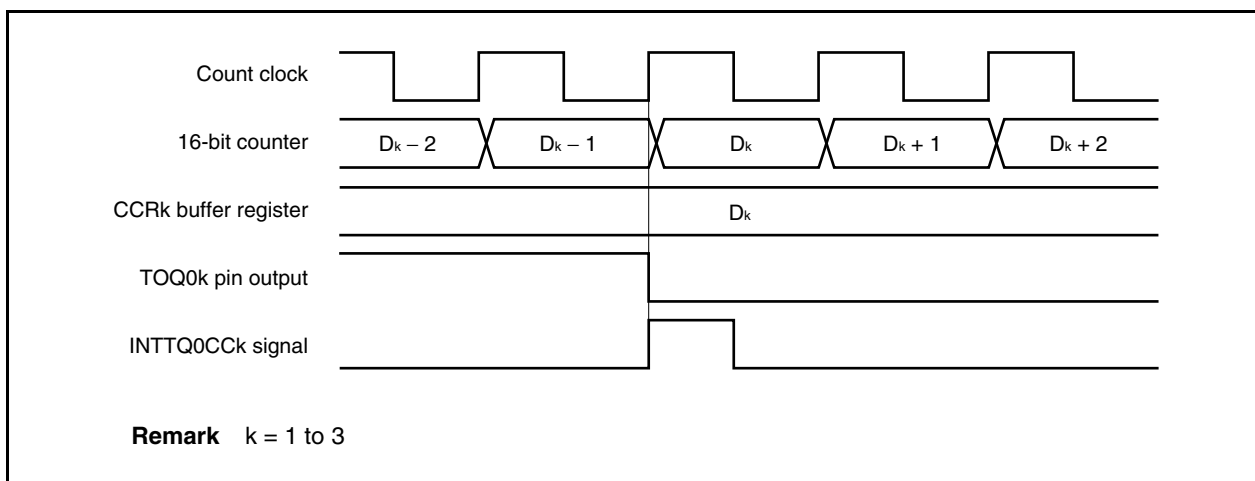
Figure 8-50. Outputting 100% PWM Waveform



(c) Timing of generating the compare match interrupt request signal (INTTQ0CCK)

In the PWM output mode, the INTTQ0CCK signal is generated when the value of the 16-bit counter matches the value of the TQ0CCRk register.

Figure 8-51. Timing of Generating Compare Match Interrupt Request Signal (INTTQ0CCK)

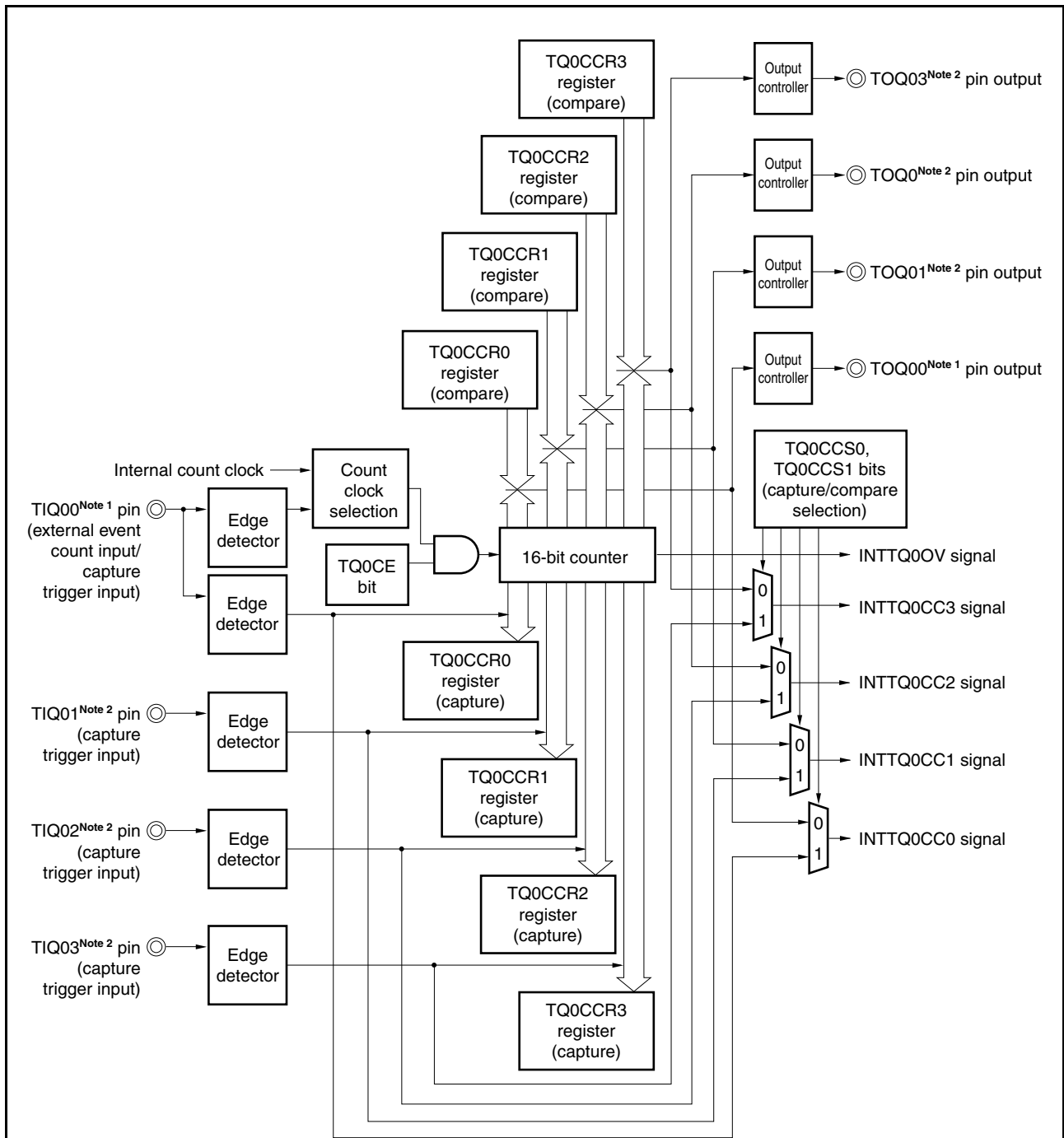


8.4.6 Free-running timer mode (TQ0MD2 to TQ0MD0 bits = 101)

In the free-running timer mode, TMQ0 starts incrementing when the TQ0CTL0.TQ0CE bit is set to 1. At this time, the TQ0CCRm register can be used as a compare register or a capture register, according to the setting of the TQ0OPT0.TQ0CCS0 and TQ0OPT0.TQ0CCS1 bits.

- Remarks**
1. For how to set the TIQ0m and TOQ0m pins, see **Table 8-2 Pins Used by TMQ0** and **Table 4-15 Settings When Pins Are Used for Alternate Functions**.
 2. For how to enable the INTTQ0CCm interrupt signal, see **CHAPTER 22 INTERRUPT SERVICING/ EXCEPTION PROCESSING FUNCTION**.
 3. m = 0 to 3

Figure 8-52. Configuration of TMQ0 in Free-Running Timer Mode



- Notes**
1. The external event count input/capture trigger input pin (TIQ00) can also be used as the timer output pin (TOQ00); however, only one of these functions can be used at a time.
 2. The capture trigger input pin (TIQ0k) can also be used as the timer output pin (TOQ0k); however, only one of these functions can be used at a time. (k = 1 to 3.)

- Compare operation

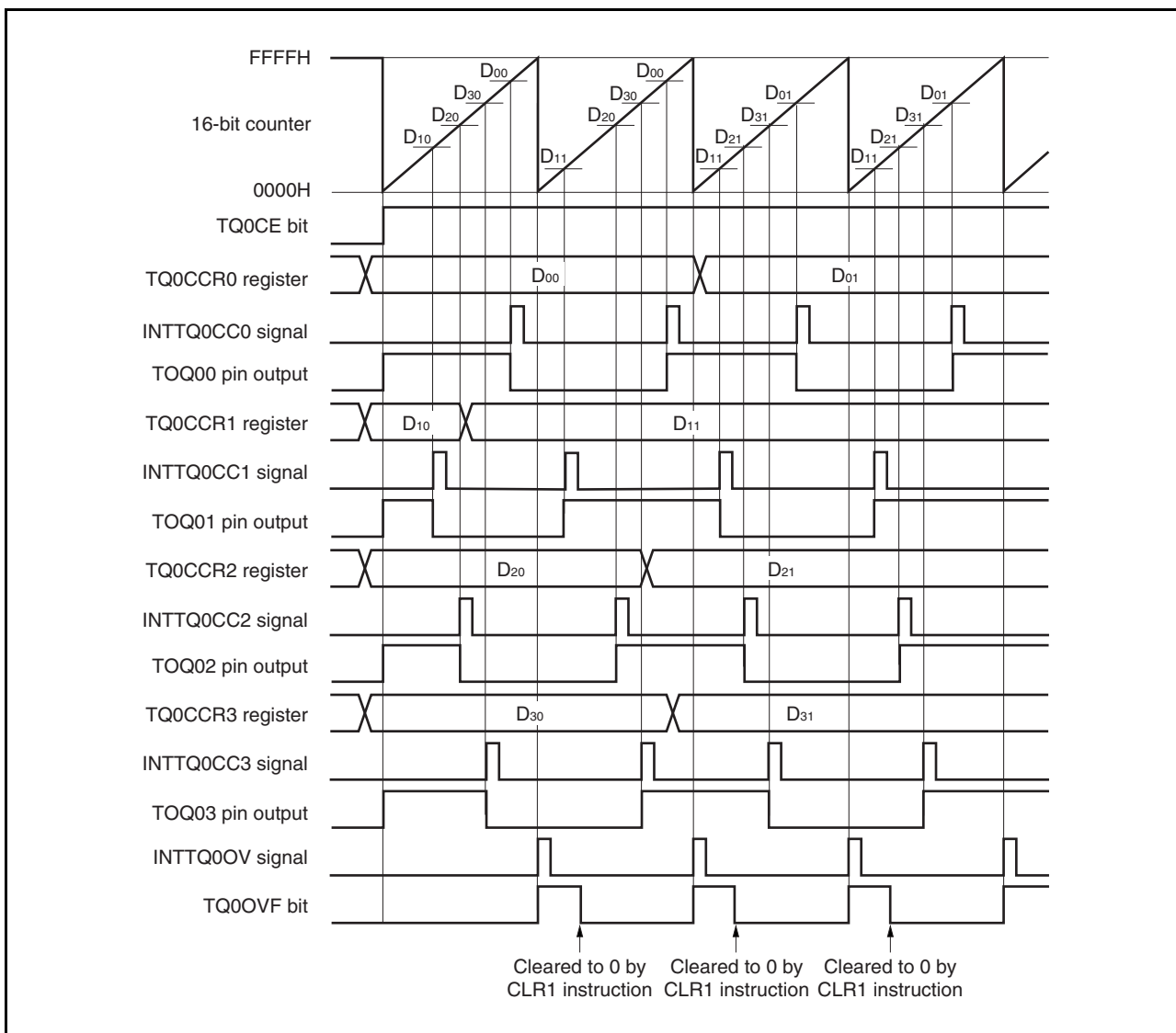
When the TQ0CE bit is set to 1, TMQ0 starts incrementing, and the output signals of the TOQ00 to TOQ03 pins are inverted. When the value of the 16-bit counter later matches the set value of the TQ0CCRm register, a compare match interrupt request signal (INTTQ0CCm) is generated, and the output signal of the TOQ0m pin is inverted.

The 16-bit counter continues incrementing in synchronization with the count clock. Once the counter reaches FFFFH, it generates an overflow interrupt request signal (INTTQ0OV) at the next clock, is cleared to 0000H, and continues incrementing. At this time, the overflow flag (the TQ0OPT0.TQ0OVF bit) is also set to 1. The overflow flag must be cleared to 0 by executing a CLR1 software instruction.

The TQ0CCRm register can be rewritten while the counter is incrementing. If it is rewritten, the new value is immediately applied, and compared with the count value.

Remark m = 0 to 3

Figure 8-53. Basic Timing of Operations in Free-Running Timer Mode (Compare Function)



- Capture operation

When the TQ0CE bit is set to 1, the 16-bit counter starts incrementing. When it is detected that a valid edge has been input to the TIQ0m pin, the value of the 16-bit counter is stored in the TQ0CCRm register, and a capture interrupt request signal (INTTQ0CCm) is generated.

The 16-bit counter continues incrementing in synchronization with the count clock. When the counter reaches FFFFH, it generates an overflow interrupt request signal (INTTQ0OV) at the next clock, is cleared to 0000H, and continues incrementing. At this time, the overflow flag (the TQ0OPT0.TQ0OVF bit) is also set to 1. The overflow flag must be cleared to 0 by executing a CLR1 software instruction.

Remark m = 0 to 3

Figure 8-54. Basic Timing of Operations in Free-Running Timer Mode (Capture Function)

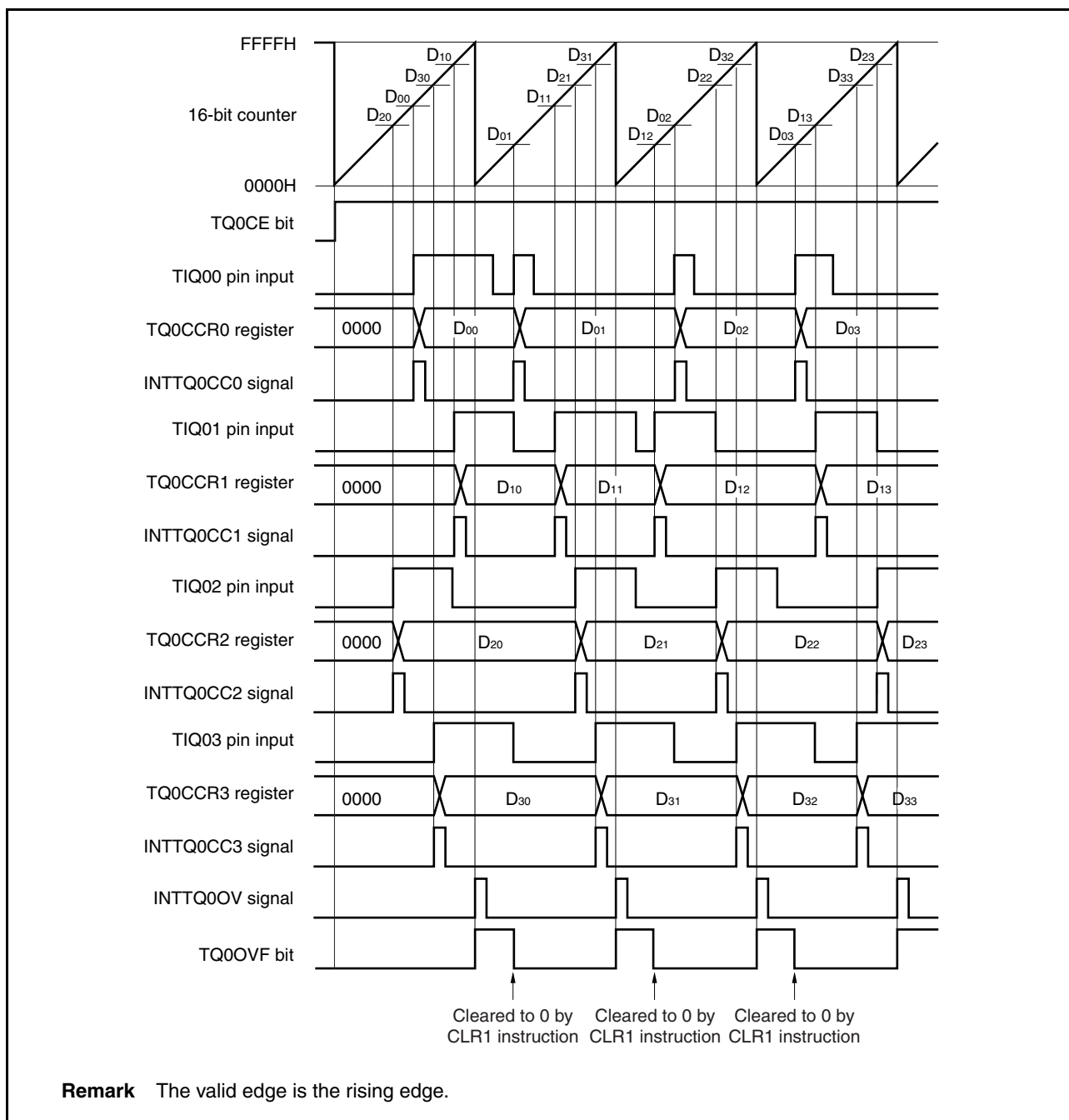


Figure 8-55. Register Settings in Free-Running Timer Mode (1/3)

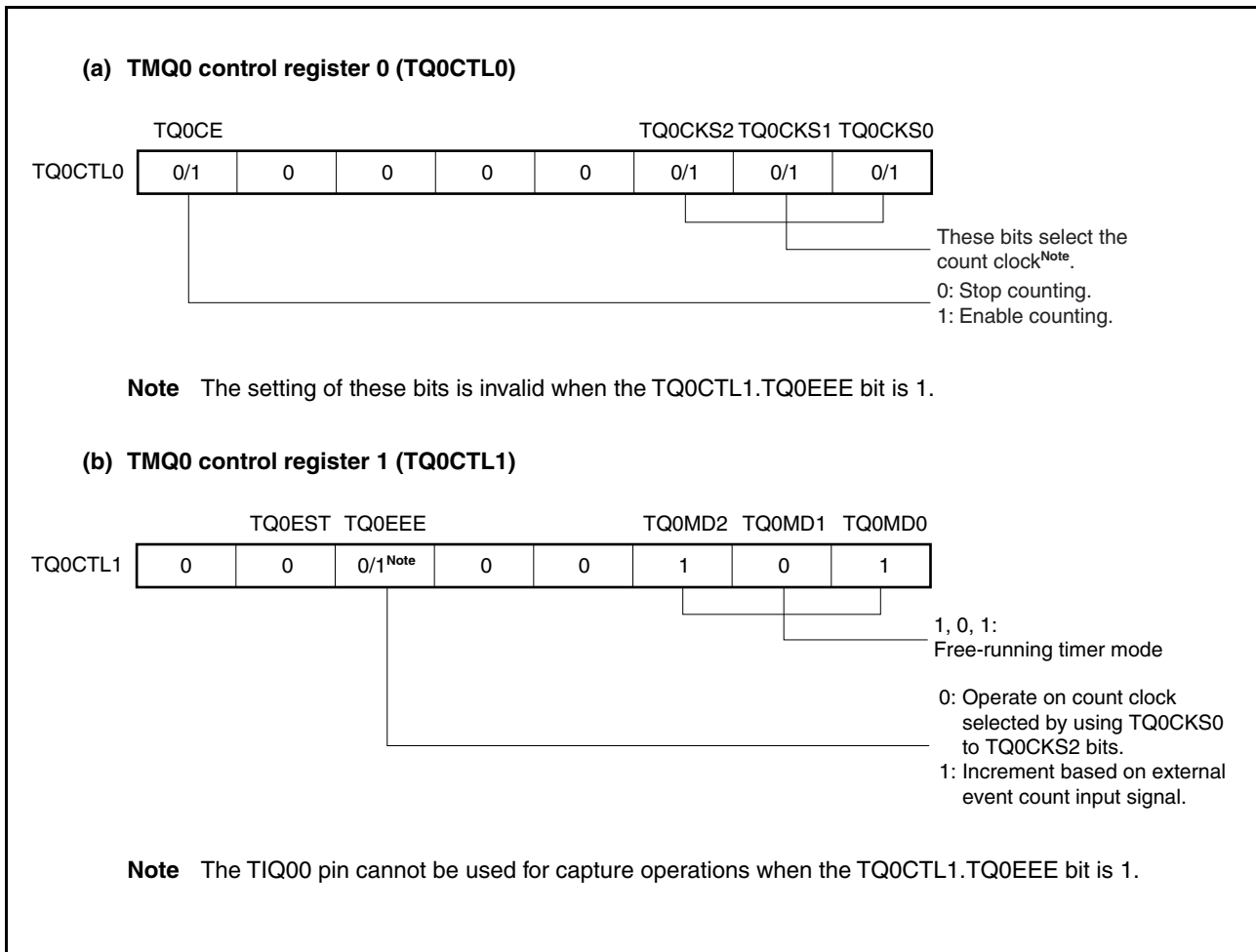


Figure 8-55. Register Settings in Free-Running Timer Mode (2/3)

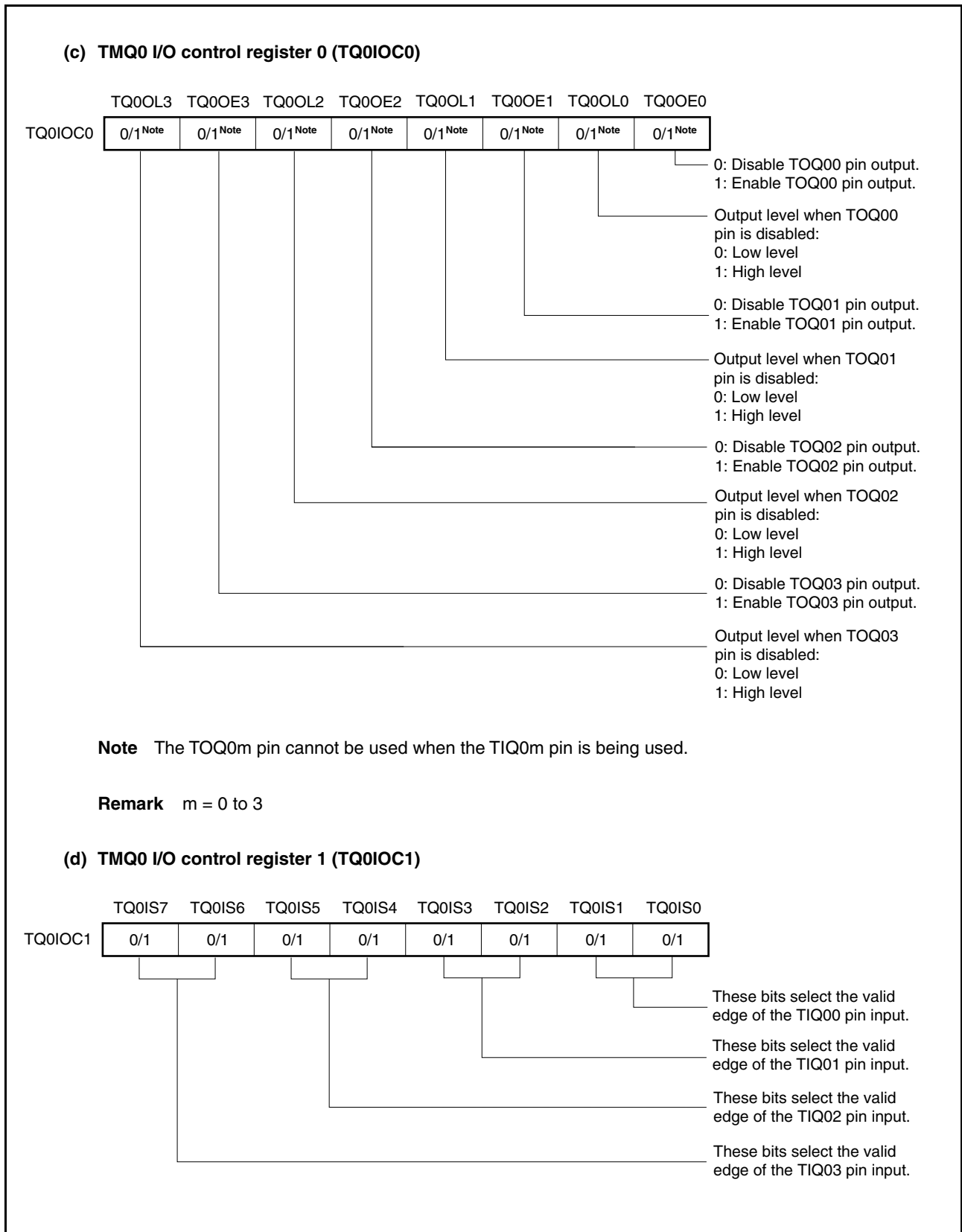
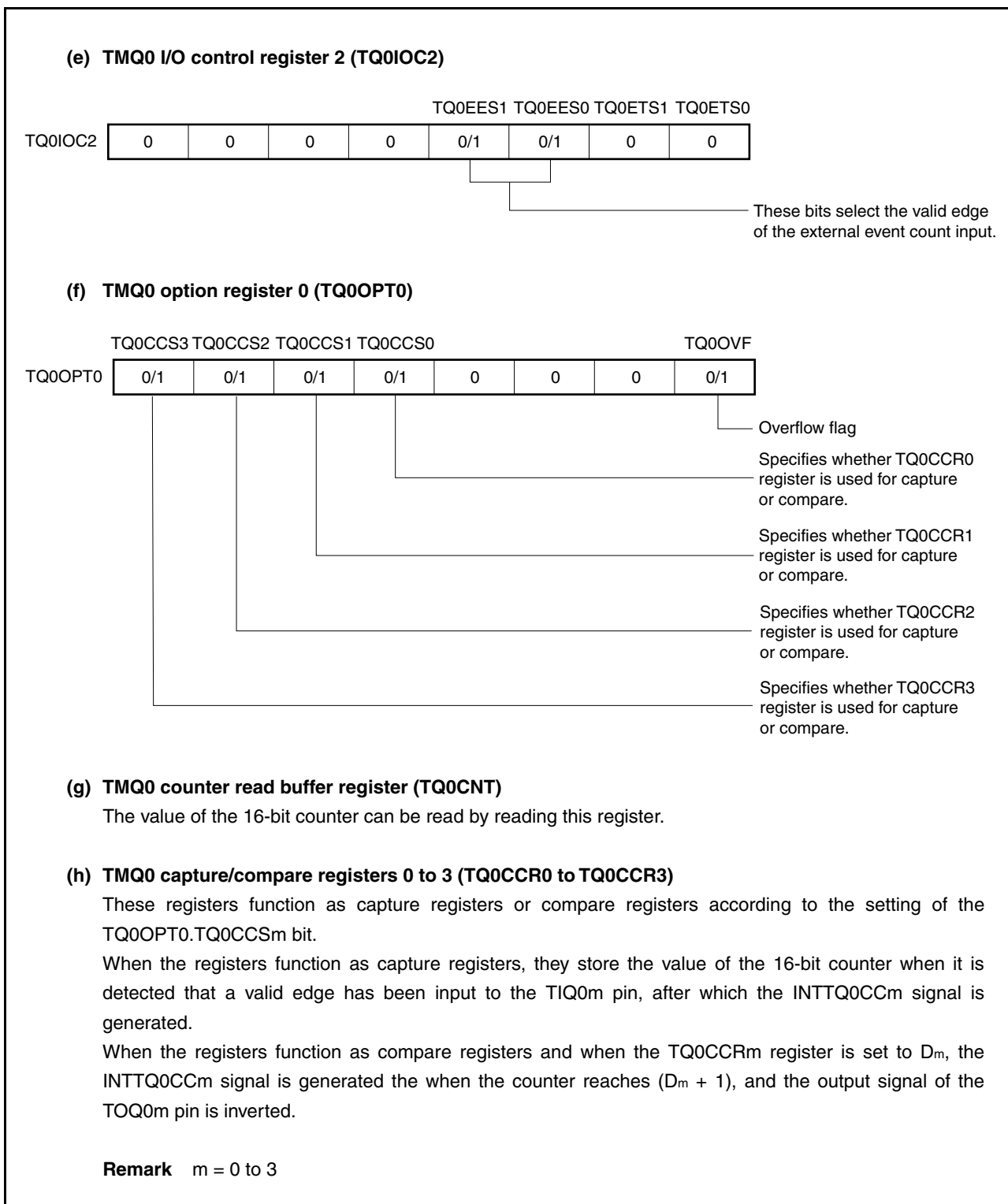


Figure 8-55. Register Settings in Free-Running Timer Mode (3/3)



(1) Operations in free-running timer mode

The following two operations occur in the free-running timer mode:

- Capture operations
- Compare operations

(a) Using a capture/compare register as a compare register

Figure 8-56. Timing and Processing of Operations in Free-Running Timer Mode (Compare Function) (1/2)

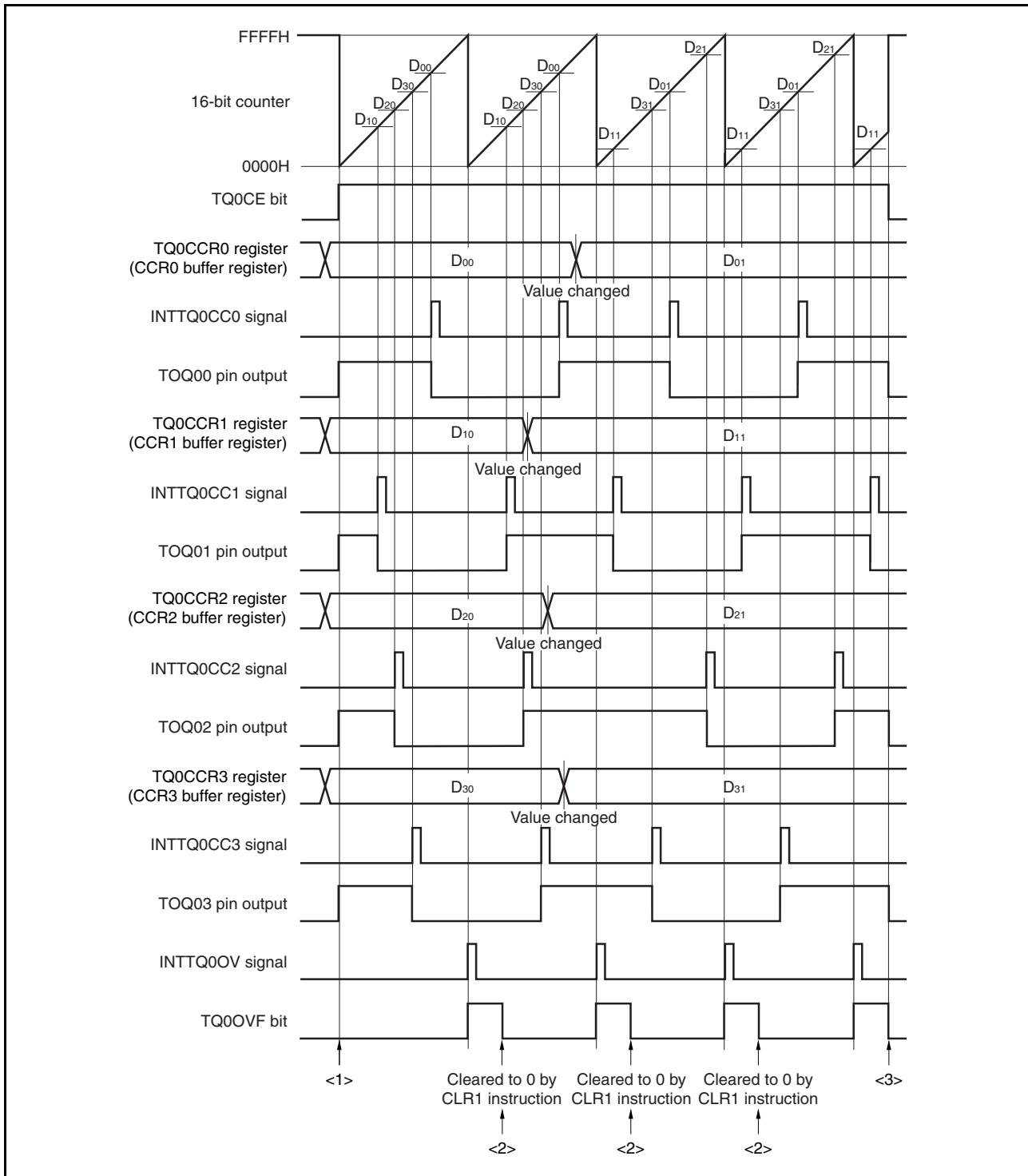
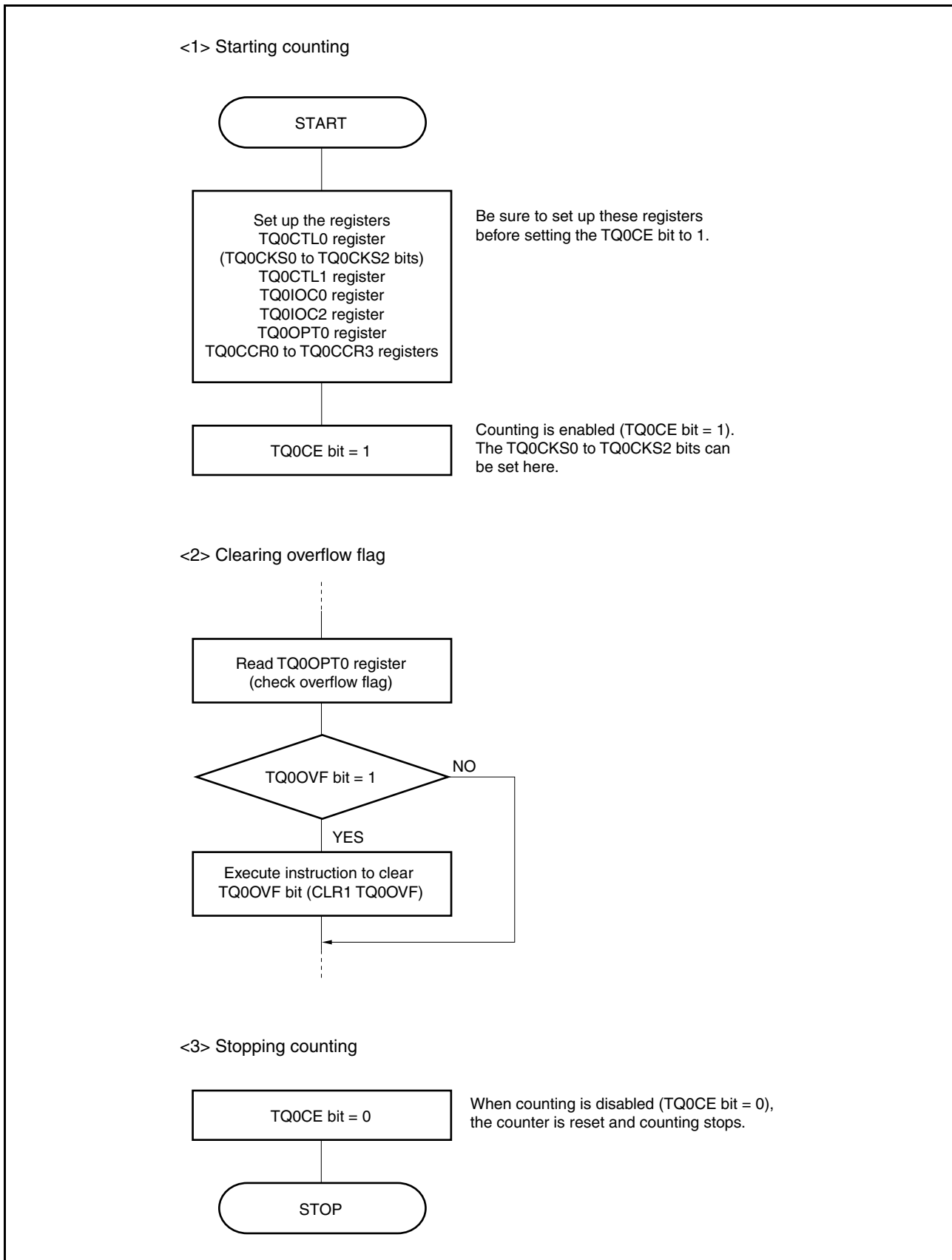


Figure 8-56. Timing and Processing of Operations in Free-Running Timer Mode (Compare Function) (2/2)



(b) Using a capture/compare register as a capture register

Figure 8-57. Timing and Processing of Operations in Free-Running Timer Mode (Capture Function) (1/2)

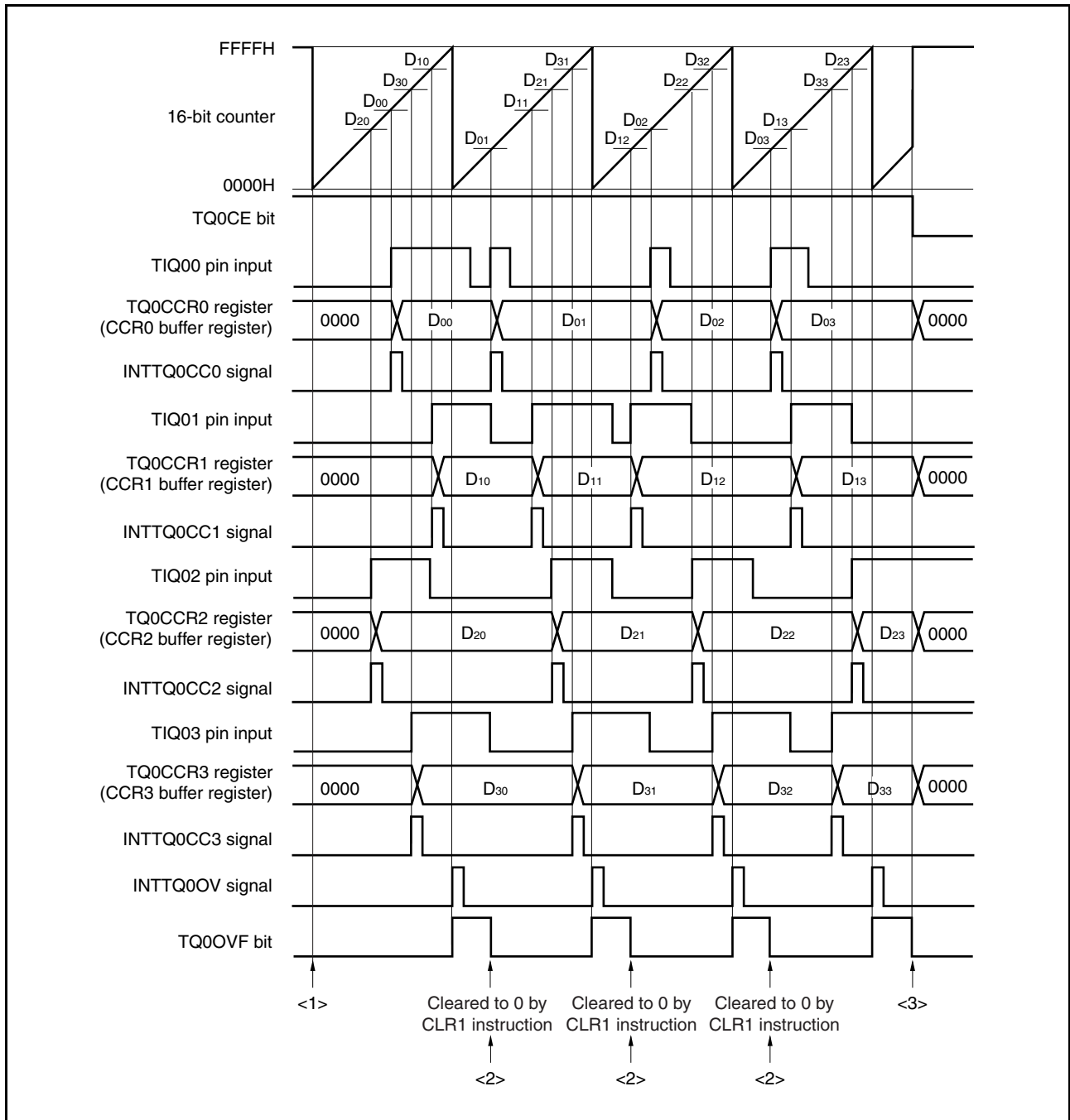
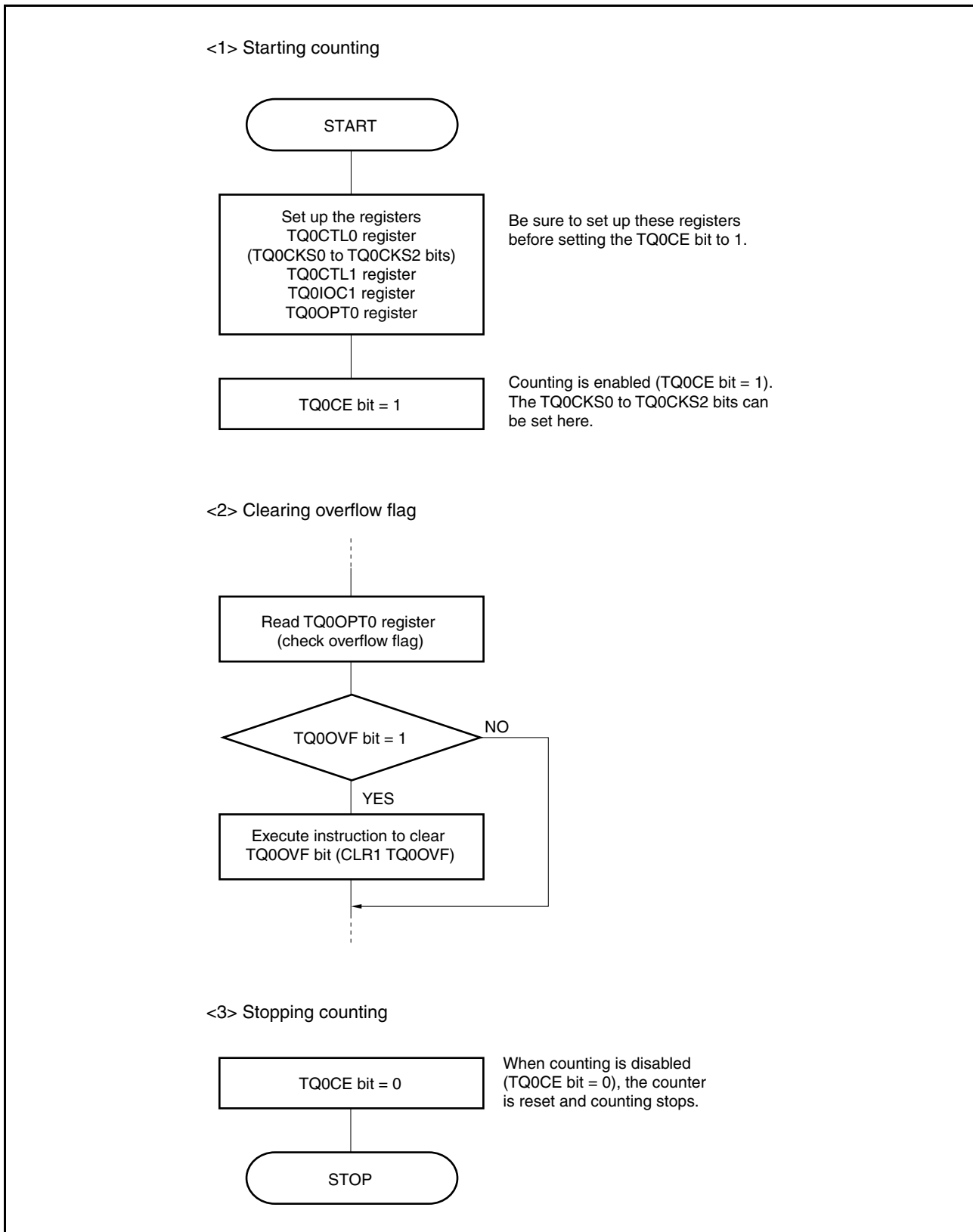


Figure 8-57. Timing and Processing of Operations in Free-Running Timer Mode (Capture Function) (2/2)

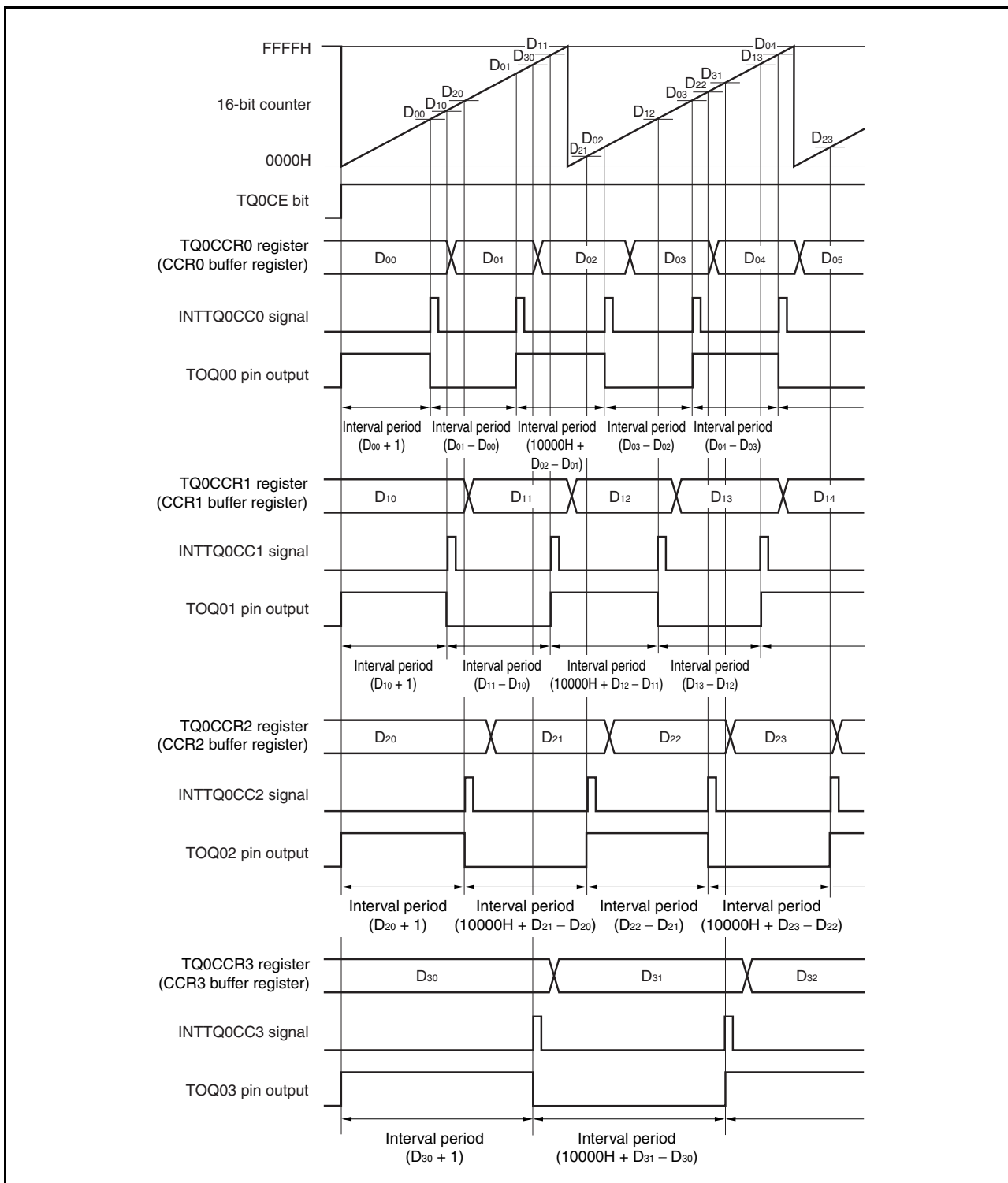


(2) Using free-running timer mode

(a) Interval operation using the TQ0CCRm register as a compare register

When TMQ0 is used as an interval timer with the TQ0CCRm register used as a compare register, the comparison value at which the next interrupt request signal is generated each time the INTTQ0CCm signal has been detected must be set by software.

Figure 8-58. Interval Operation of TMQ0 in Free-Running Timer Mode



When performing an interval operation in the free-running timer mode, four intervals can be set for one channel. To perform the interval operation, the value of the corresponding TQ0CCR_m register must be set again in the interrupt servicing that is executed when the INTTQ0CC_m signal is detected.

The value to be set in this case can be calculated by the following expression, where “D_m” is the interval period.

Compare register default value: $D_m - 1$

Value set to compare register second and subsequent time: Previous set value + D_m

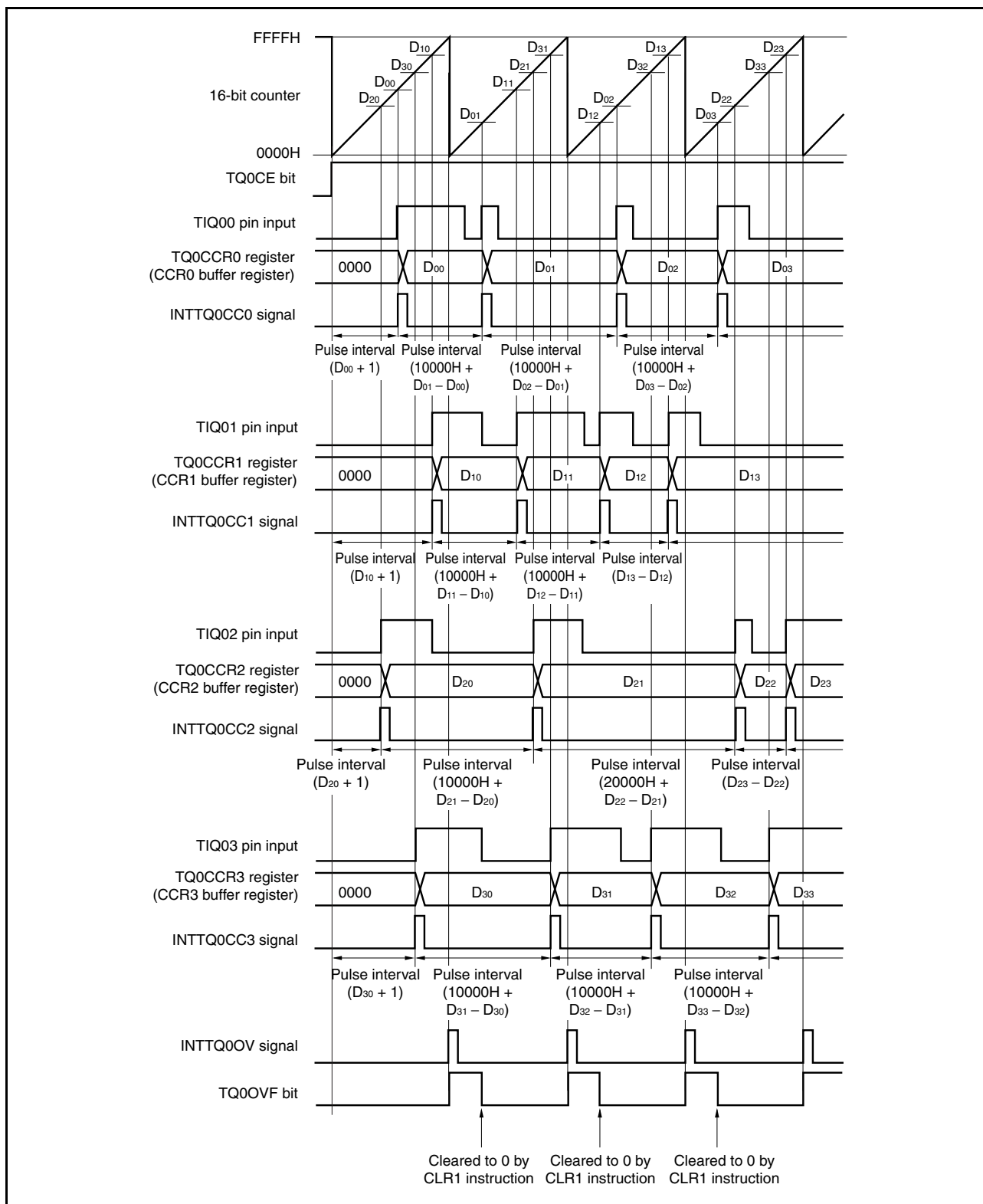
(If the calculation result is greater than FFFFH, subtract 10000H from the result and set the register to this value.)

Remark $m = 0$ to 3

(b) Pulse width measurement using the TQ0CCRm register as a capture register

When pulse width measurement is performed with the TQ0CCRm register used as a capture register, each time the INTTQ0CCm signal has been detected, the capture register must be read and the interval must be calculated by software.

Figure 8-59. Pulse Width Measurement by TMQ0 in Free-Running Timer Mode



Four pulse widths can be measured in the free-running timer mode.

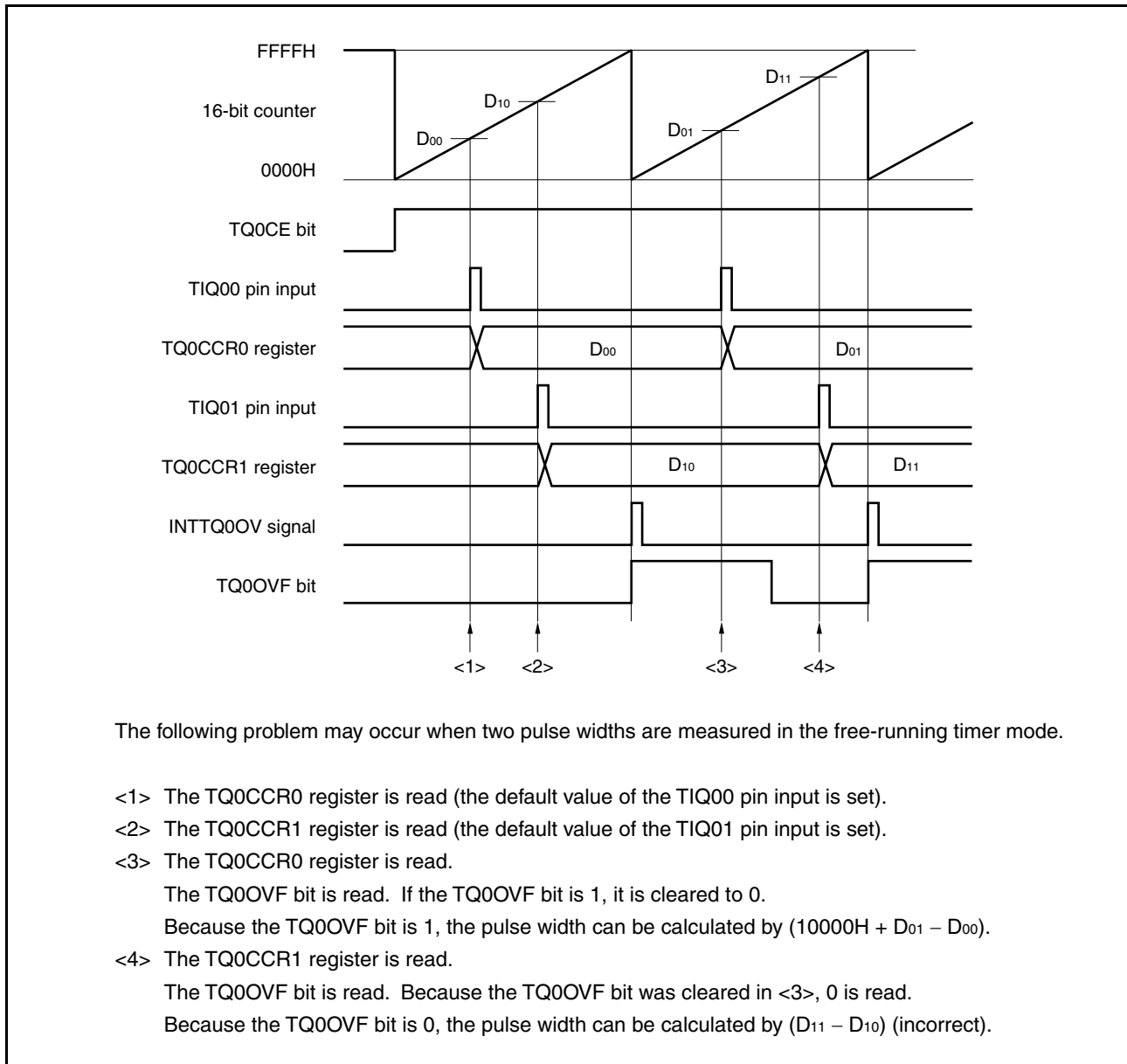
When measuring a pulse width, the pulse width can be calculated by reading the value of the TQ0CCRm register in synchronization with the INTTQ0CCm signal, and calculating the difference between that value and the previously read value.

Remark m = 0 to 3

(c) Processing an overflow when two or more capture registers are used

Care must be exercised in processing the overflow flag when two or more capture registers are used. First, an example of incorrect processing is shown below.

Figure 8-60. Example of Incorrect Processing When Two or More Capture Registers Are Used



When two or more capture registers are used, and if the TQ0OVF bit is cleared to 0 by one capture register, another capture register may not obtain the correct pulse width.

This problem can be resolved by using software, as shown in the example below.

Figure 8-61. Example of Resolving Problem When Two or More Capture Registers Are Used by Using Overflow Interrupt

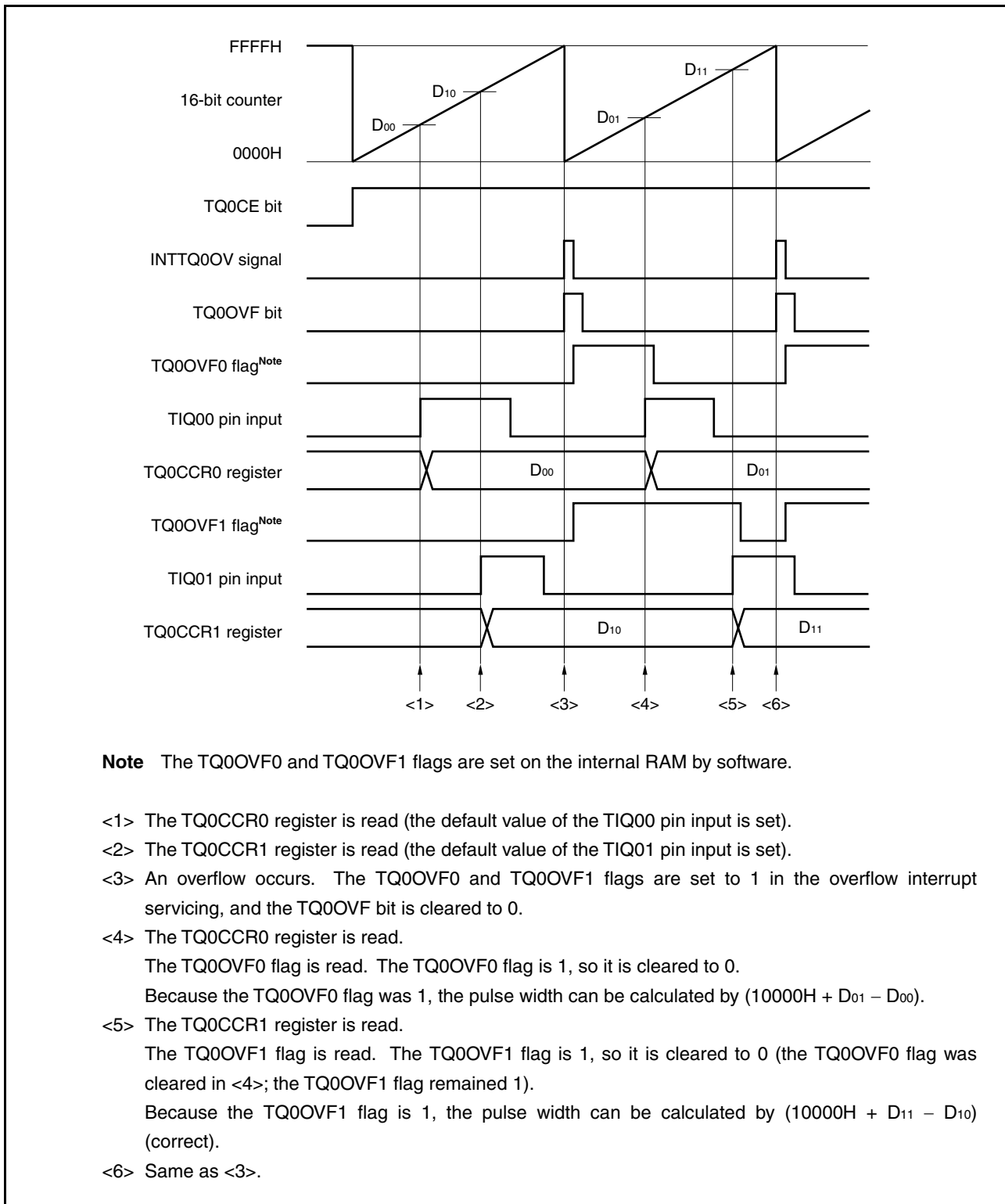
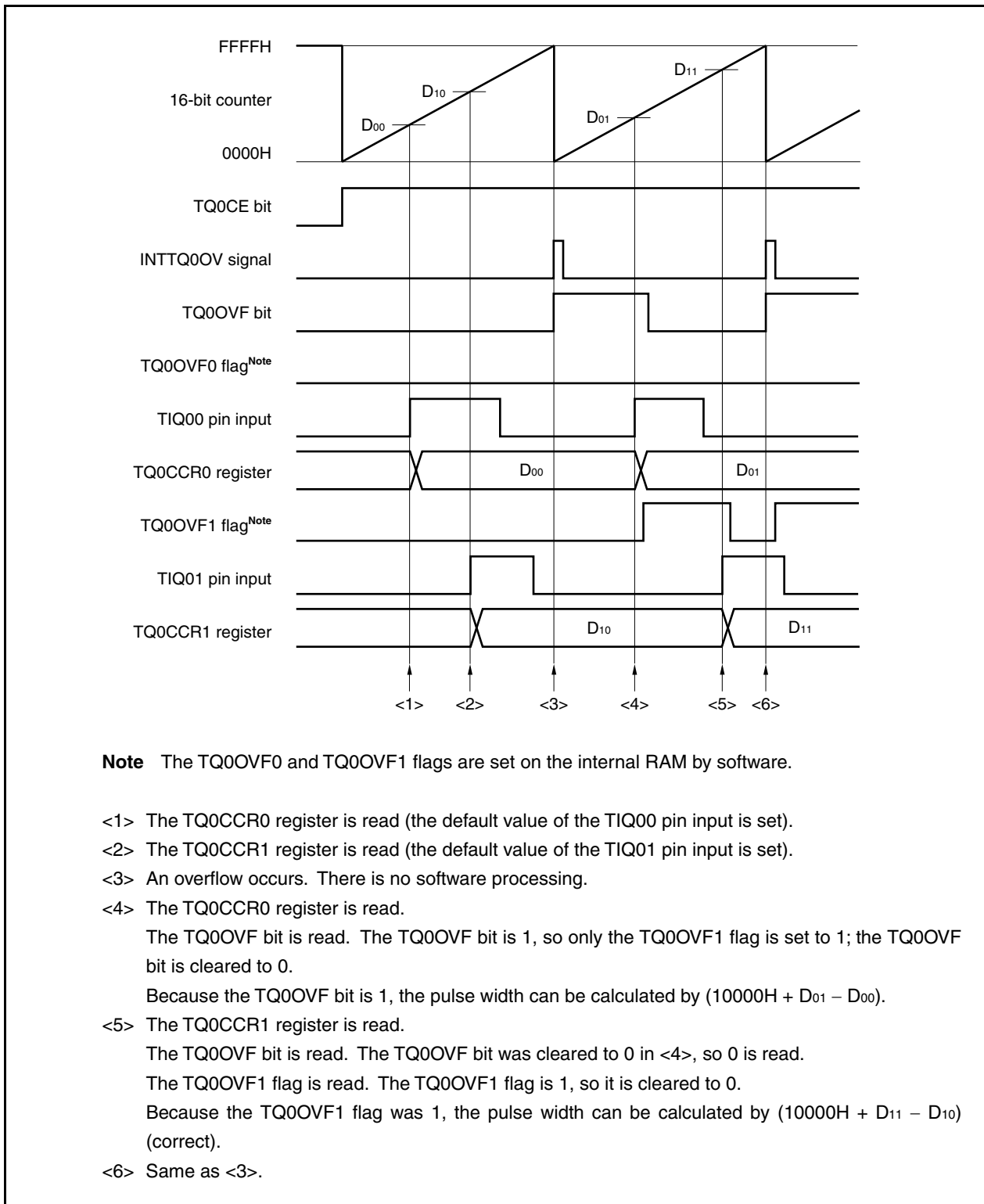


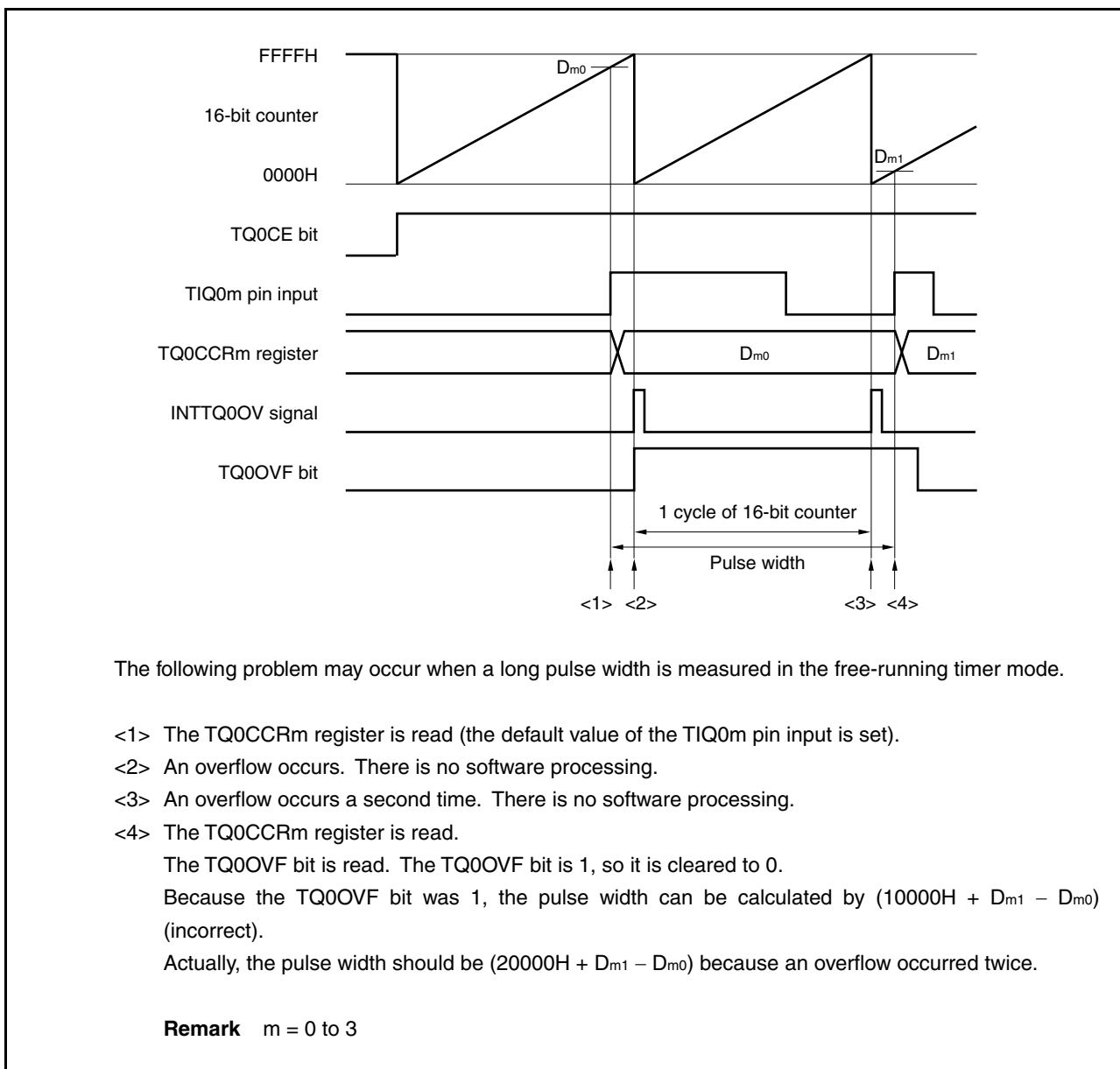
Figure 8-62. Example of Resolving Problem When Two or More Capture Registers Are Used Without Using Overflow Interrupt



(d) Processing of overflow if capture trigger interval is long

If the pulse width is greater than one cycle of the 16-bit counter, care must be exercised because an overflow may occur more than once between the first capture trigger and the next. First, an example of incorrect processing is shown below.

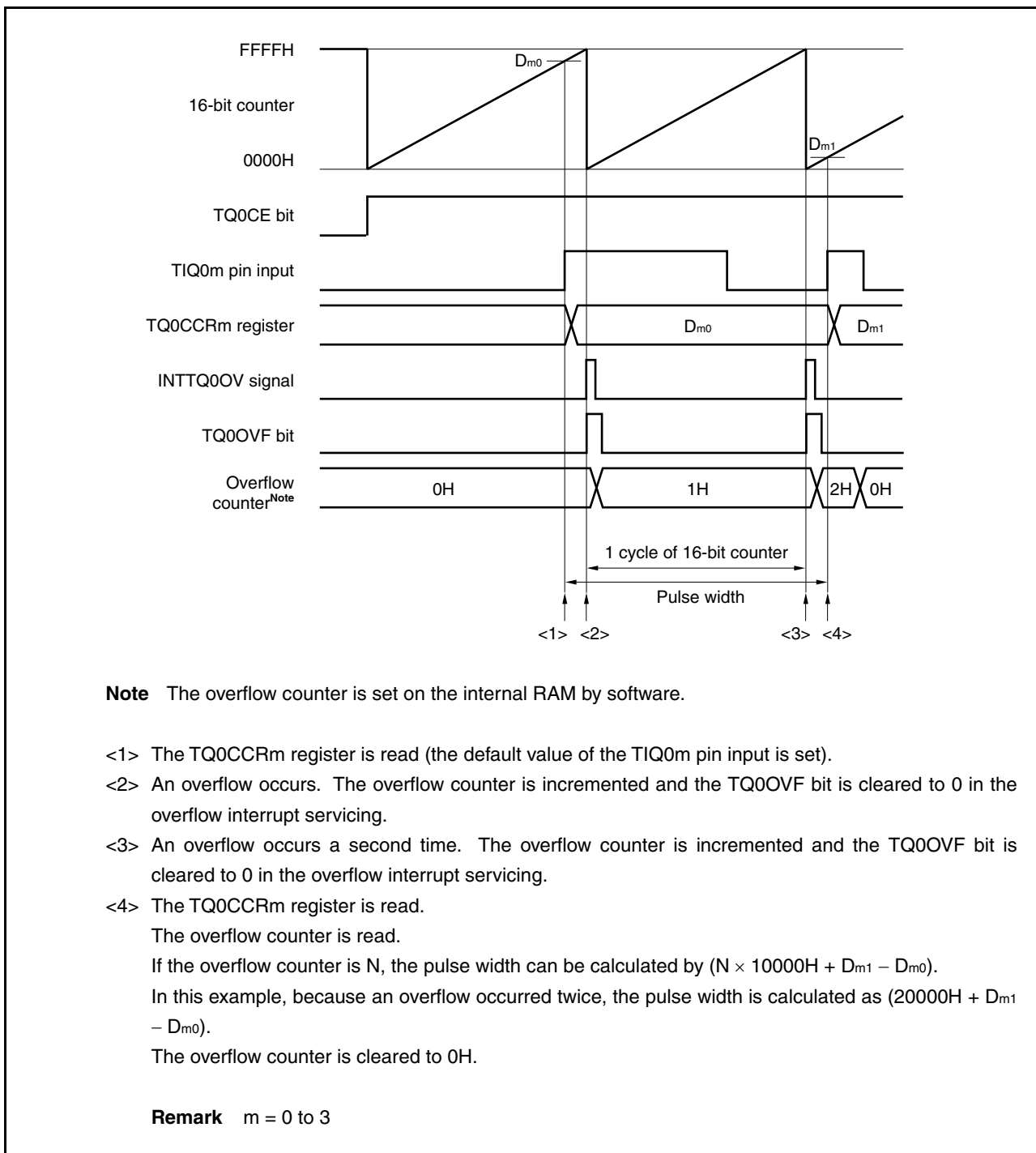
Figure 8-63. Example of Incorrect Processing When Capture Trigger Interval Is Long (When Using TIQ0m)



If an overflow occurs twice or more when the capture trigger interval is long, the correct pulse width may not be obtained.

If the capture trigger interval is long, slow the count clock to lengthen one cycle of the 16-bit counter, or use software to resolve the problem. An example of how to use software to resolve the problem is shown below.

Figure 8-64. Example of Using Software Processing to Resolve Problem When Capture Trigger Interval Is Long (When Using TIQ0m)



(e) Clearing the overflow flag (TQ0OVF)

The overflow flag (TQ0OVF) can be cleared to 0 by reading the TQ0OVF bit and, if its value is 1, either clearing the bit to 0 by using the CLR1 instruction or by writing 8-bit data (with bit 0 as "0") to the TQ0OPT0 register.

8.4.7 Pulse width measurement mode (TQ0MD2 to TQ0MD0 bits = 110)

In the pulse width measurement mode, TMQ0 starts incrementing when the TQ0CTL0.TQ0CE bit is set to 1. Each time it is detected that a valid edge has been input to the TIQ0m pin, the value of the 16-bit counter is stored in the TQ0CCRm register, and the 16-bit counter is cleared to 0000H.

The interval of the valid edge can be measured by reading the TQ0CCRm register after a capture interrupt request signal (INTTQ0CCm) occurs.

Select one of the TIQ00 to TIQ03 pins as the capture trigger input pin. Specify “No edge detected” by using the TQ0IOC1 register for the unused pins.

Remarks 1. For how to set the TIQ0m pin, see **Table 8-2 Pins Used by TMQ0** and **Table 4-15 Settings When Pins Are Used for Alternate Functions**.

2. For how to enable the INTTQ0CCm interrupt signal, see **CHAPTER 22 INTERRUPT SERVICING/ EXCEPTION PROCESSING FUNCTION**.

3. m = 0 to 3

k = 1 to 3

Figure 8-65. Configuration of TMQ0 in Pulse Width Measurement Mode

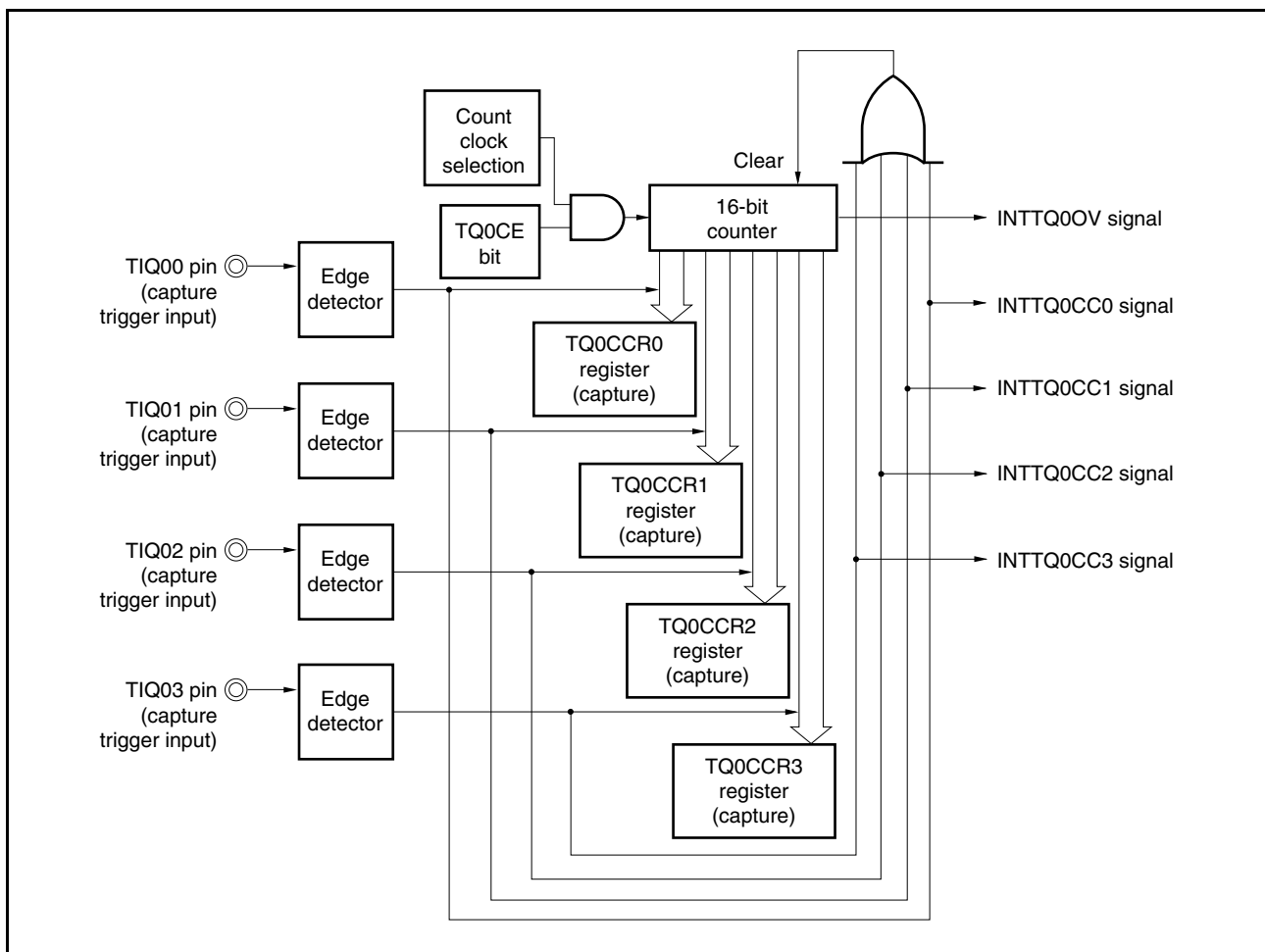
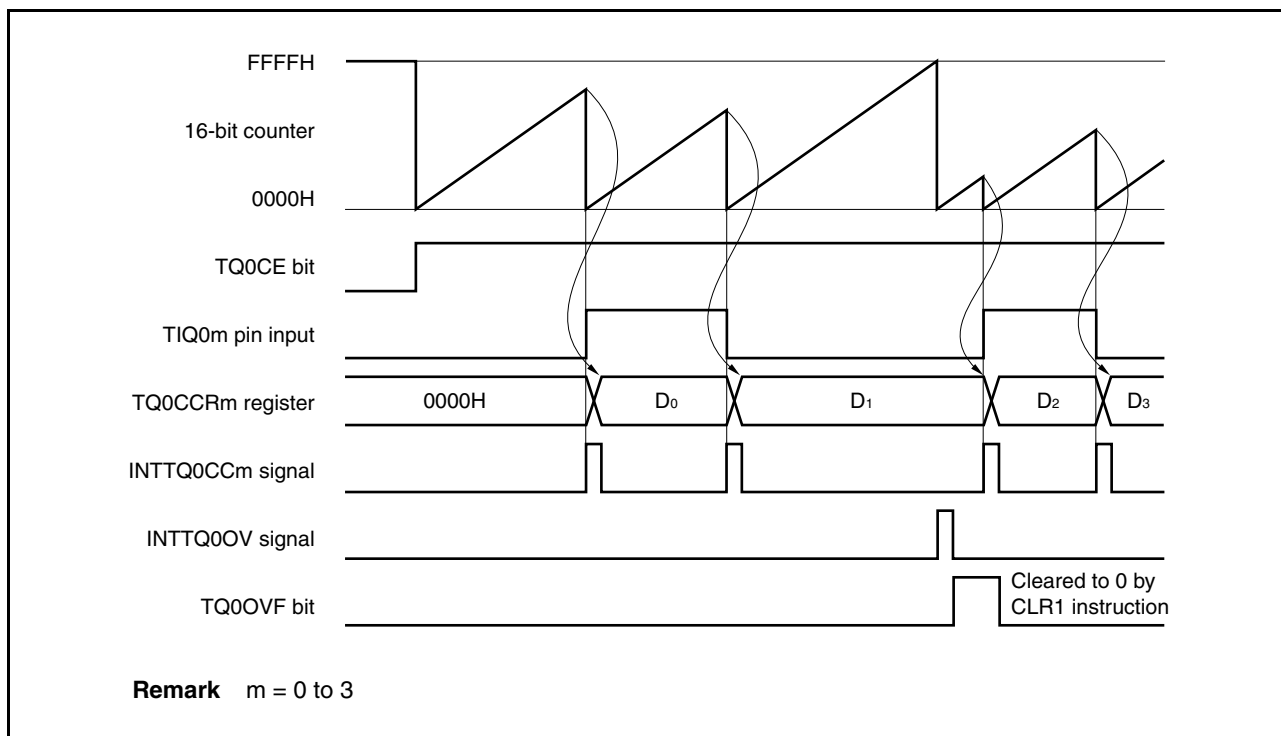


Figure 8-66. Basic Timing of Operations in Pulse Width Measurement Mode



When the TQ0CE bit is set to 1, the 16-bit counter starts incrementing. When it is subsequently detected that a valid edge has been input to the TIQ0m pin, the value of the 16-bit counter is stored in the TQ0CCRm register, the 16-bit counter is cleared to 0000H, and a capture interrupt request signal (INTTQ0CCm) is generated.

The pulse width is calculated as follows.

$$\text{Pulse width} = \text{Captured value} \times \text{Count clock cycle}$$

If a valid edge has not been input to the TIQ0m pin by the time the 16-bit counter has incremented up to FFFFH, an overflow interrupt request signal (INTTQ0OV) is generated at the next count clock, and the counter is cleared to 0000H and continues incrementing. At this time, the overflow flag (TQ0OPT0.TQ0OVF bit) is also set to 1. Clear the overflow flag to 0 by executing the CLR1 software instruction.

If the overflow flag is set to 1, the pulse width can be calculated as follows.

$$\text{Pulse width} = (10000\text{H} \times \text{Number of times the TQ0OVF bit was set (1)} + \text{Captured value}) \times \text{Count clock cycle}$$

Remark m = 0 to 3

Figure 8-67. Register Settings in Pulse Width Measurement Mode (1/2)

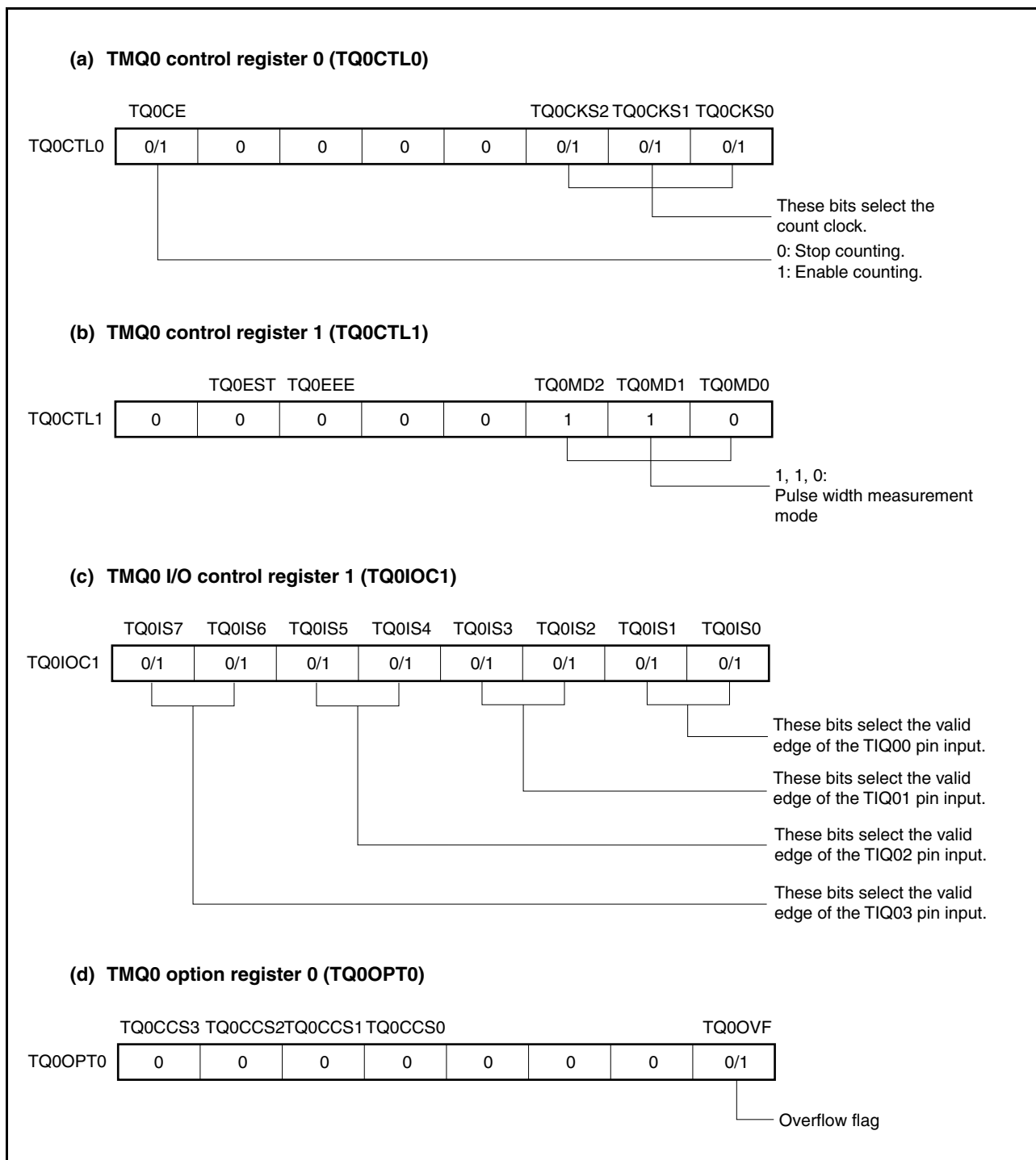


Figure 8-67. Register Settings in Pulse Width Measurement Mode (2/2)**(e) TMQ0 counter read buffer register (TQ0CNT)**

The value of the 16-bit counter can be read by reading this register.

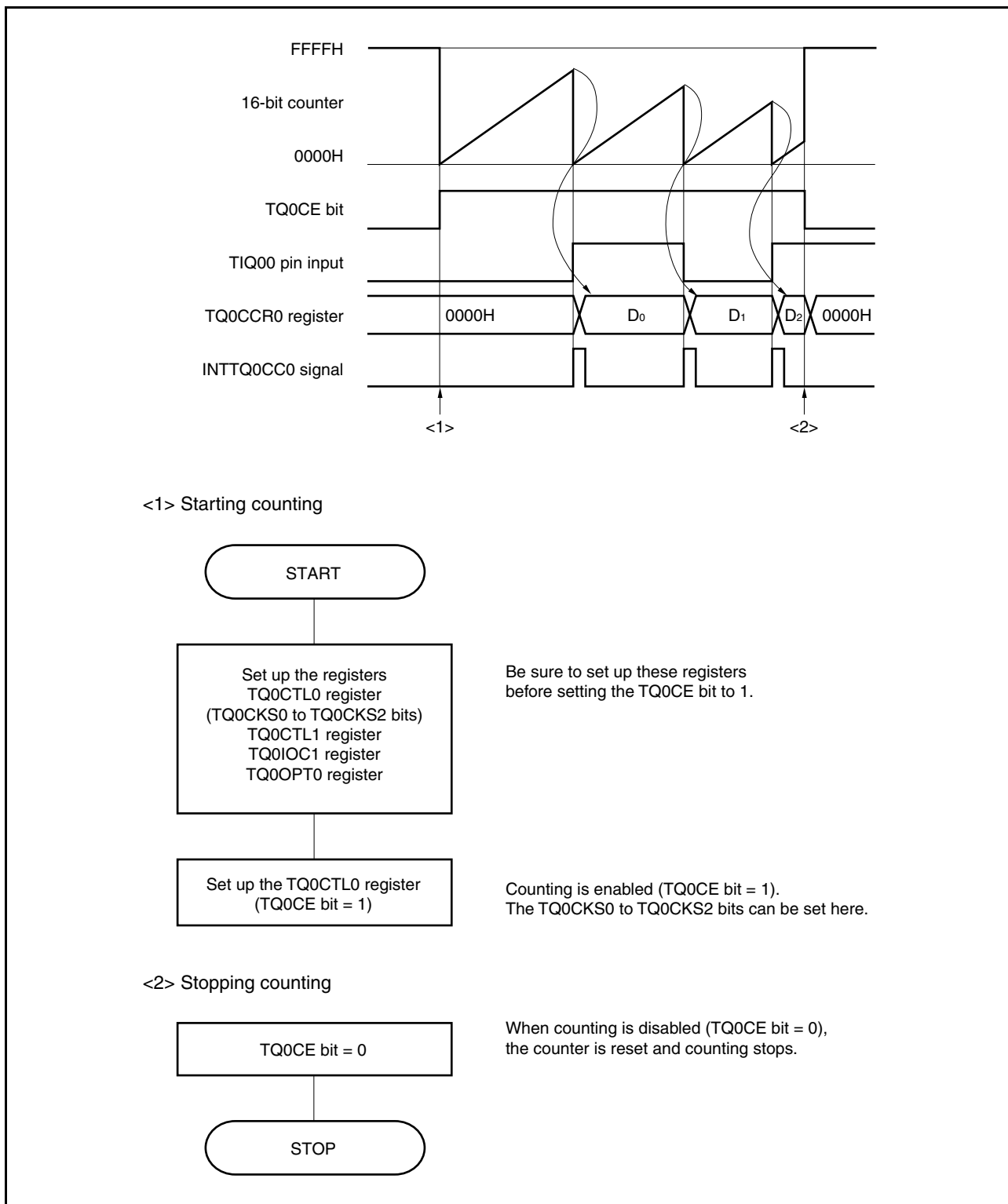
(f) TMQ0 capture/compare registers 0 to 3 (TQ0CCR0 to TQ0CCR3)

These registers store the 16-bit counter value upon detection of the input of a valid edge to the TIQ0m pin.

Remark TMQ0 I/O control register 0 (TQ0IOC0) and TMQ0 I/O control register 2 (TQ0IOC2) are not used in the pulse width measurement mode.

(1) Operations in pulse width measurement mode

Figure 8-68. Timing and Processing of Operations in Pulse Width Measurement Mode



(2) Using pulse width measurement mode**(a) Clearing the overflow flag (TQ0OVF)**

The overflow flag (TQ0OVF) can be cleared to 0 by reading the TQ0OVF bit and, if its value is 1, either clearing the bit to 0 by using the CLR1 instruction or by writing 8-bit data (with bit 0 as "0") to the TQ0OPT0 register.

8.4.8 Timer output operations

The following table shows the operations and output levels of the TOQ00 to TOQ03 pins.

Table 8-8. Timer Output Control in Each Mode

Operation Mode	TOQ00 Pin	TOQ01 Pin	TOQ02 Pin	TOQ03 Pin
Interval timer mode	Square wave output			
External event count mode	-			
External trigger pulse output mode	Square wave output	External trigger pulse output	External trigger pulse output	External trigger pulse output
One-shot pulse output mode		One-shot pulse output	One-shot pulse output	One-shot pulse output
PWM output mode		PWM output	PWM output	PWM output
Free-running timer mode	Square wave output (only when compare function is used)			
Pulse width measurement mode	-			

Table 8-9. Truth Table of TOQ00 to TOQ03 Pins Under Control of Timer Output Control Bits

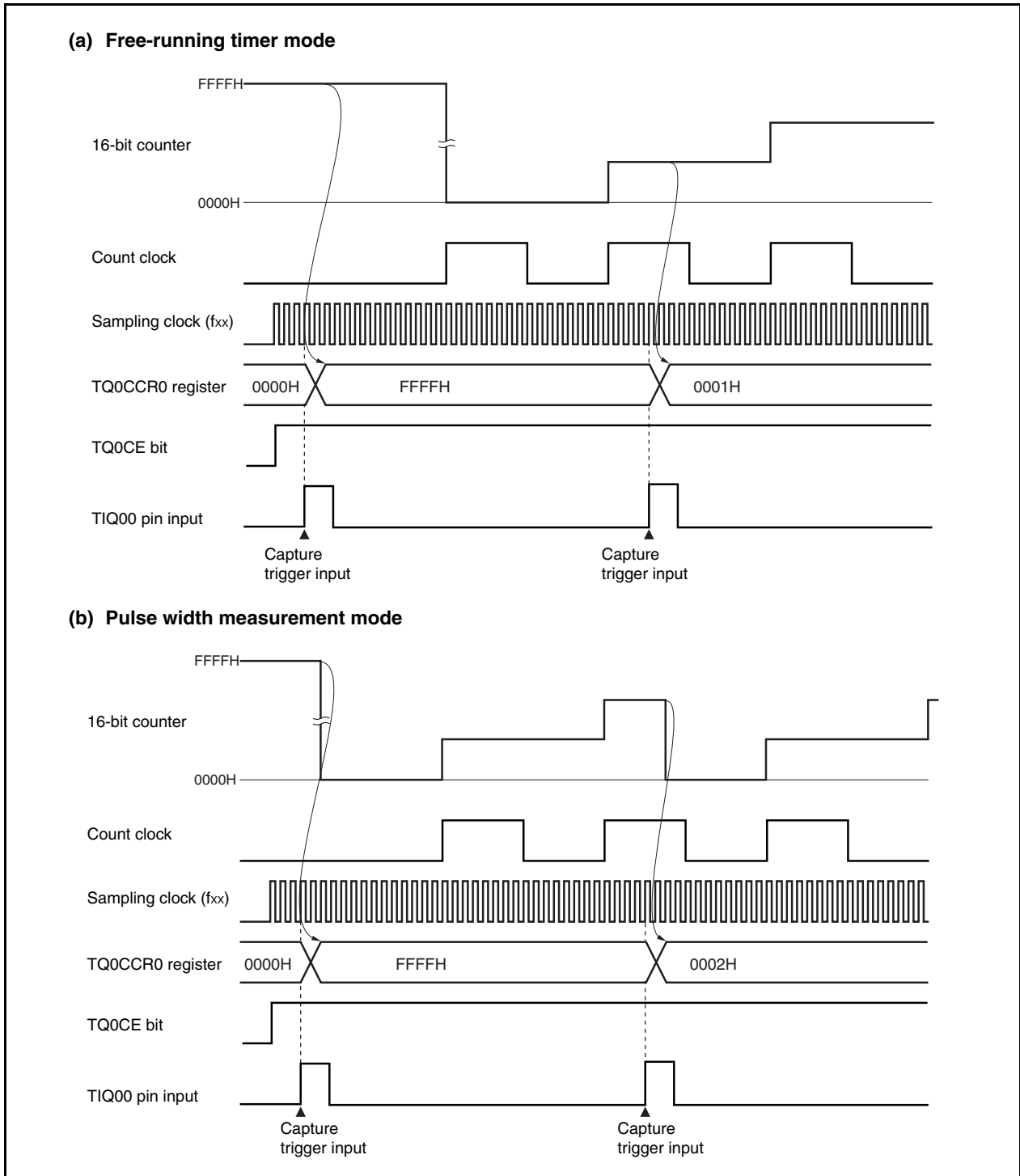
TQ0IOC0.TQ0OLm Bit	TQ0IOC0.TQ0OEm Bit	TQ0CTL0.TQ0CE Bit	Level of TOQ0m Pin
0	0	×	Low-level output
	1	0	Low-level output
		1	Low level immediately before counting, high level after counting is started
1	0	×	High-level output
	1	0	High-level output
		1	High level immediately before counting, low level after counting is started

Remark m = 0 to 3

8.5 Cautions

(1) Capture operation

When the capture operation is used and $f_{xx}/8$, $f_{xx}/16$, $f_{xx}/32$, $f_{xx}/64$, $f_{xx}/128$, or the external event counter (TQ0CLT1.TQ0EEE bit = 1) is selected as the count clock, FFFFH, not 0000H, may be captured in the TQ0CCR0, TQ0CCR1, TQ0CCR2, and TQ0CCR3 registers, or the capture operation may not be performed at all (the capture interrupt does not occur) if the capture trigger is input immediately after the TQ0CE bit is set to 1.



CHAPTER 9 16-BIT INTERVAL TIMER M (TMM)

Timer M (TMM) is a 16-bit interval timer.

The V850ES/JG3-L incorporates one TMM timer, TMM0.

9.1 Features

TMM0 is a dedicated interval timer that generates interrupt requests at a specified interval based on the count clock selected from one of eight clock sources: the main clock (f_{xx}), a divided main clock ($f_{xx}/2$, $f_{xx}/4$, $f_{xx}/64$, $f_{xx}/512$), the watch timer interrupt signal (INTWT), the internal clock ($f_{\pi}/8$), and the subclock (f_{τ}).

TMM0 can only be used in the clear & start mode; it cannot be used in the free-running timer mode.

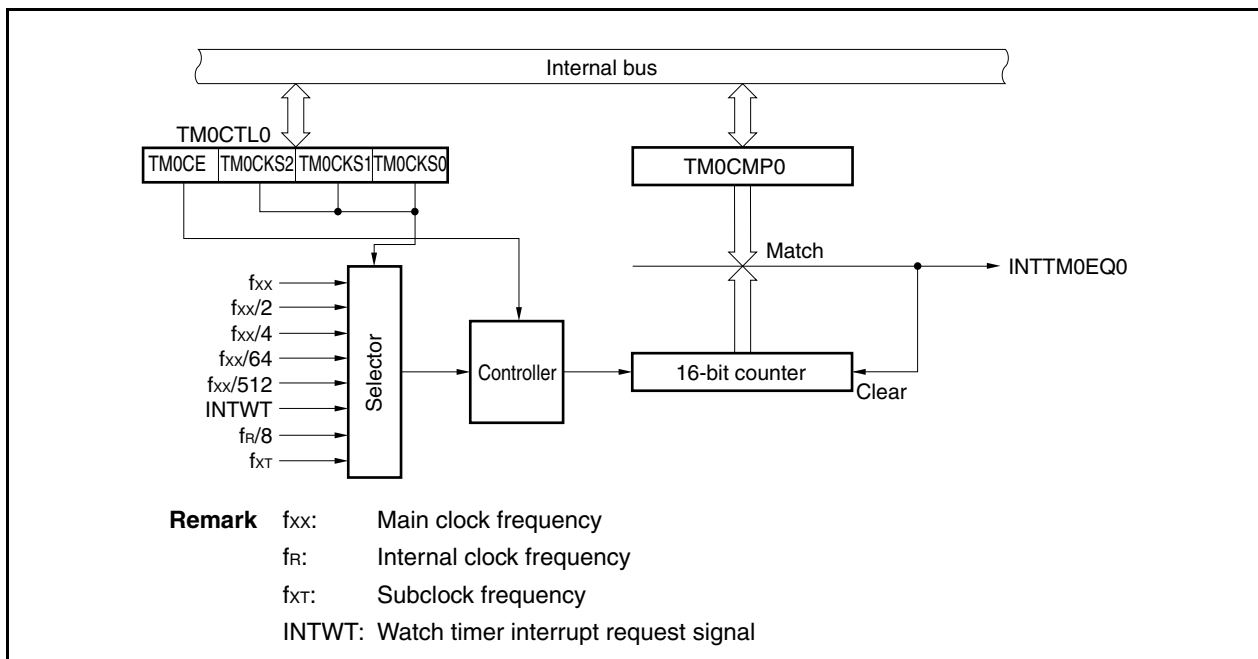
9.2 Configuration

TMM0 includes the following hardware.

Table 9-1. Configuration of TMM0

Item	Configuration
Register	16-bit counter TMM0 compare register 0 (TM0CMP0) TMM0 control register 0 (TM0CTL0)

Figure 9-1. Block Diagram of TMM0



(1) 16-bit counter

This counter counts the internal clock.
This counter cannot be read or written.

(2) TMM0 compare register 0 (TM0CMP0)

This is a 16-bit compare register.

(3) TMM0 control register 0 (TM0CTL0)

This is an 8-bit register used to control the operation of TMM0.

(4) Selector

The selector is used to select the count clock of the 16-bit counter. The count clock can be selected from eight clock sources.

9.3 Registers

(1) TMM0 control register (TM0CTL0)

The TM0CTL0 register is an 8-bit register that controls the operation of TMM0.

This register can be read or written in 8-bit or 1-bit units.

Reset sets this register to 00H.

Except for the TMOCE bit, the bits of the TM0CTL0 register cannot be rewritten to different values while TMM0 is operating (bits can be rewritten only to the same value as was previously specified).

After reset: 00H R/W Address: FFFF690H

<7>	6	5	4	3	2	1	0	
TM0CTL0	TMOCE	0	0	0	0	TMOCKS2	TMOCKS1	TMOCKS0

TMOCE	Internal clock operation enable/disable specification
0	TMM0 operation disabled (16-bit counter reset asynchronously).
1	TMM0 operation enabled.

When the TMOCE bit is cleared to 0, the internal clock of TMM0 is disabled (fixed to low level) and 16-bit counter is reset asynchronously.

TMOCKS2	TMOCKS1	TMOCKS0	Count clock selection
0	0	0	f_{xx}
0	0	1	$f_{xx}/2$
0	1	0	$f_{xx}/4$
0	1	1	$f_{xx}/64$
1	0	0	$f_{xx}/512$
1	0	1	INTWT
1	1	0	$f_R/8$
1	1	1	f_{XT}

Cautions

1. Set the TMOCKS2 to TMOCKS0 bits while TMM0 is stopped (TMOCE bit = 0). The TMOCKS2 to TMOCKS0 bits cannot be set at the same time as changing the value of TMOCE from 0 to 1.
2. Be sure to clear bits 3 to 6 to "0".

Remark

f_{xx} : Main clock frequency
 f_R : Internal oscillator clock frequency
 f_{XT} : Subclock frequency
 INTWT: Watch timer interrupt request signal

(2) TMM0 compare register 0 (TM0CMP0)

The TM0CMP0 register is a 16-bit compare register.

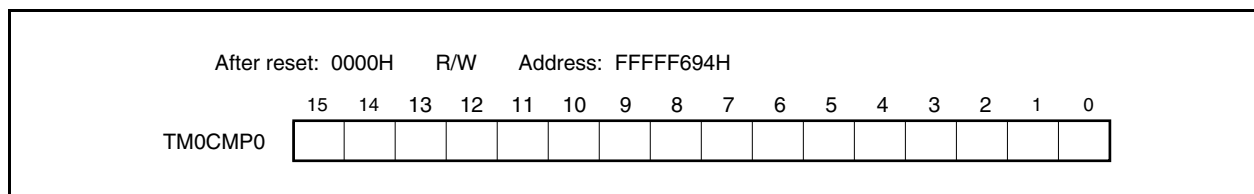
This register can be read or written in 16-bit units.

Reset sets this register to 0000H. However, if TMM0 is reset while it is stopped, this register is set to FFFFH.

The same value can always be written to the TM0CMP0 register by software.

The TM0CMP0 register cannot be rewritten while TMM0 is operating (TMOCTL0.TM0CE bit = 1).

Caution Do not set the TM0CMP0 register to FFFFH.



9.4 Operation

9.4.1 Interval timer mode

When the TMOCE bit is set to 1, the value of the 16-bit counter is cleared from FFFFH to 0000H in synchronization with the count clock, and the counter starts incrementing.

When the value of the 16-bit counter matches the value of the TMOCMP0 register, the 16-bit counter is cleared to 0000H and a compare match interrupt request signal (INTTM0EQ0) is generated at the specified interval.

Figure 9-2. Configuration of Interval Timer

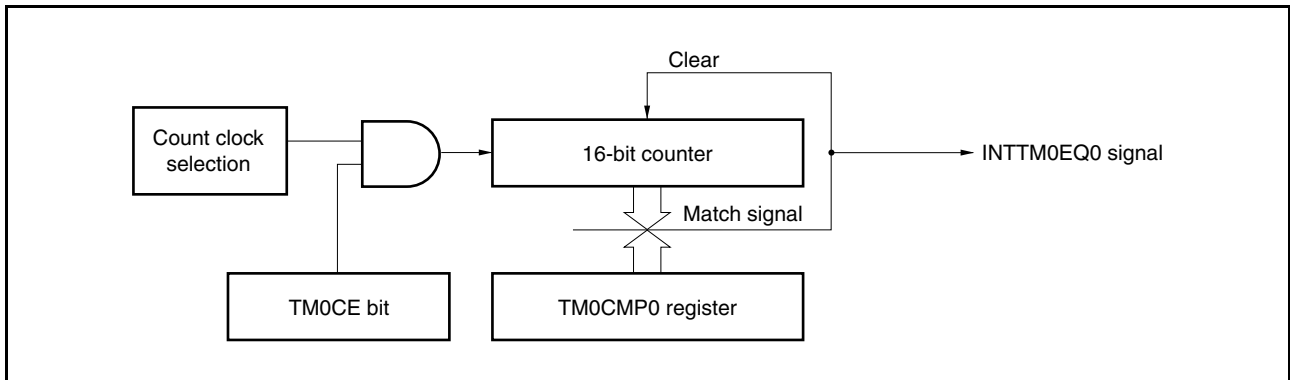
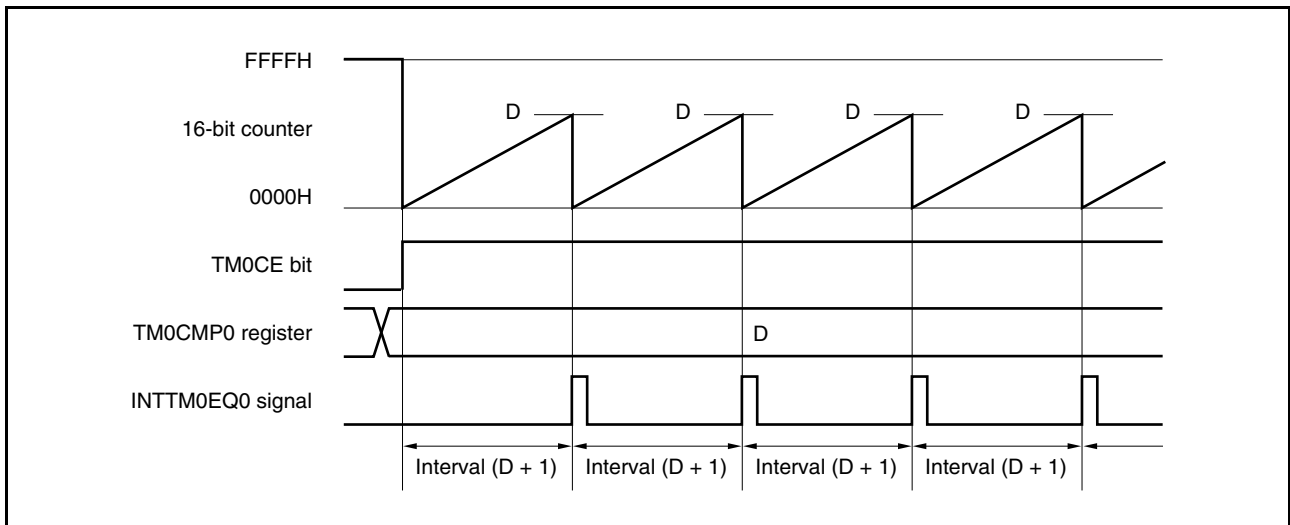
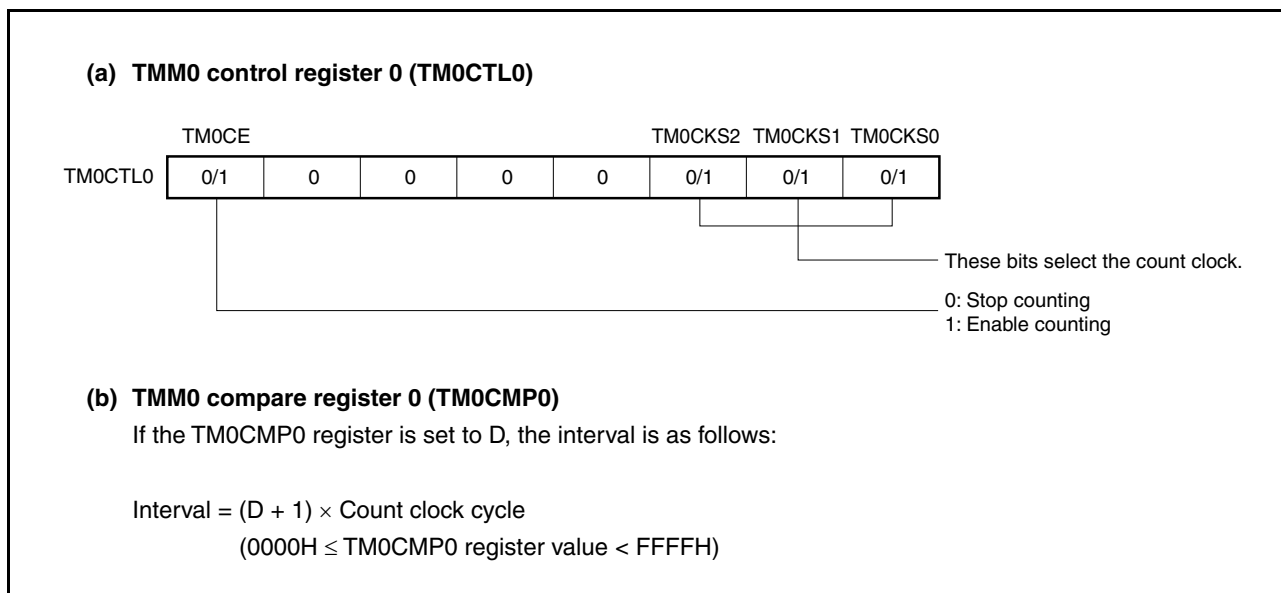


Figure 9-3. Basic Timing of Operation in Interval Timer Mode



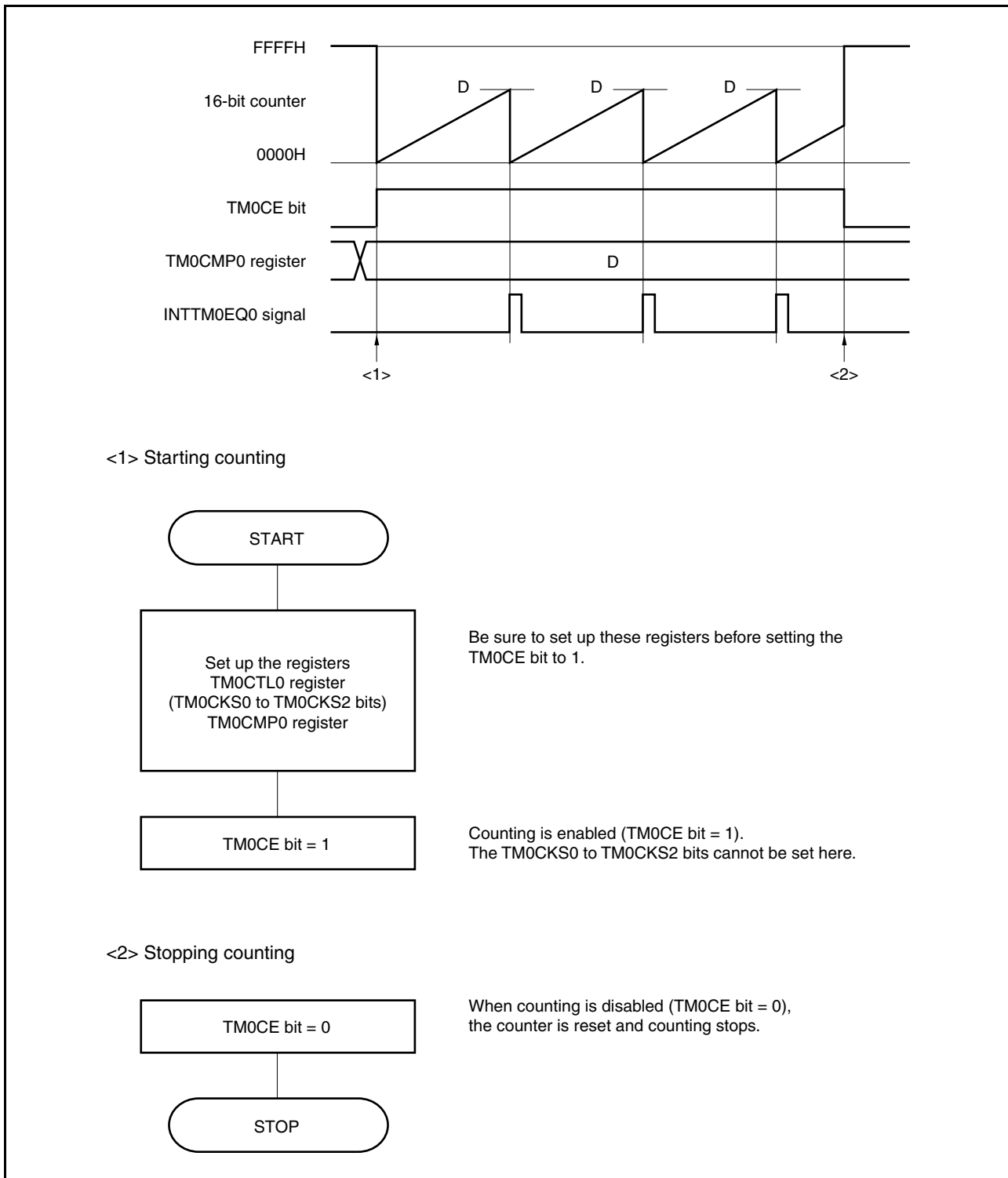
An example of the register settings when the interval timer mode is used is shown in the figure below.

Figure 9-4. Register Settings in Interval Timer Mode



(1) Operations in interval timer mode

Figure 9-5. Timing and Processing of Operations in Interval Timer Mode

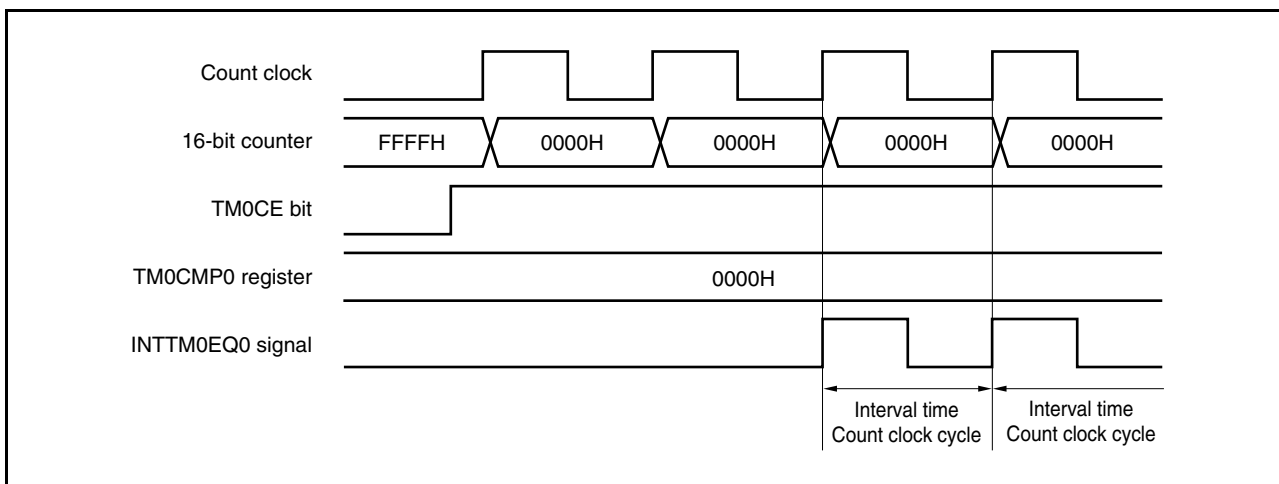


(2) Using interval timer mode

(a) Operation when TM0CMP0 register is set to 0000H

When the TM0CMP0 register is set to 0000H, the INTTM0EQ0 signal is generated for each count clock cycle. The value of the 16-bit counter is always 0000H.

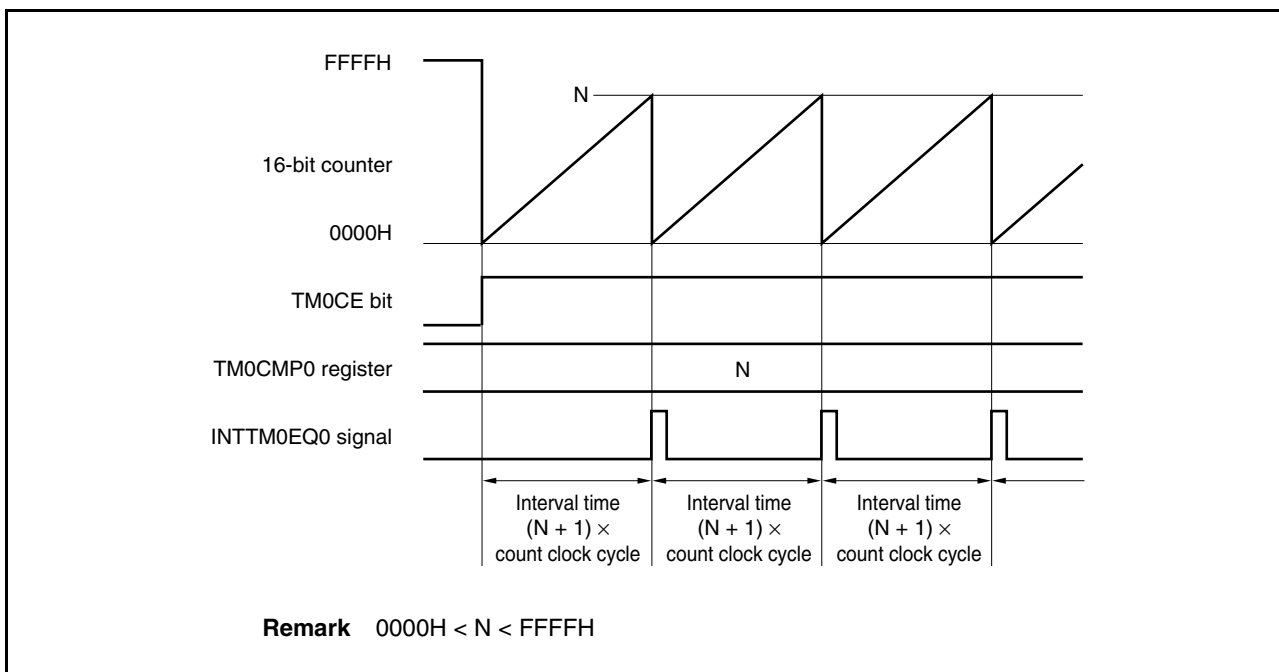
Figure 9-6. Operation of Interval Timer When TM0CMP0 Register Is Set to 0000H



(b) Operation when TM0CMP0 register is set to N

When the TM0CMP0 register is set to N, the 16-bit counter increments up to N and is reset to 0000H in synchronization with the next increment timing. The INTTM0EQ0 signal is then generated.

Figure 9-7. Operation of Interval Timer When TM0CMP0 Register is Set to Other Than 0000H, FFFFH



9.4.2 Cautions

- (1) It takes the 16-bit counter up to the following time to start counting after the TM0CTL0.TM0CE bit is set to 1, depending on the count clock selected.

Selected Count Clock	Maximum Time Before Counting Starts
f_{xx}	$2/f_{xx}$
$f_{xx}/2$	$3/f_{xx}$
$f_{xx}/4$	$6/f_{xx}$
$f_{xx}/64$	$128/f_{xx}$
$f_{xx}/512$	$1024/f_{xx}$
INTWT	Second rising edge of INTWT signal
$f_R/8$	$16/f_R$
f_{XT}	$2/f_{XT}$

- (2) Rewriting the TM0CMP0 and TM0CTL0 registers is prohibited while TMM0 is operating. If these registers are rewritten while the TMM0 is operating (TM0CE bit = 1), the operation cannot be guaranteed. If these registers are rewritten by mistake, clear the TM0CTL0.TM0CE bit to 0, and set the registers again.

CHAPTER 10 WATCH TIMER

10.1 Functions

The watch timer has the following functions.

- Watch timer: An interrupt request signal (INTWT) is generated at intervals of 0.5 or 0.25 seconds by using the main clock or subclock.
- Interval timer: An interrupt request signal (INTWTI) is generated at set intervals.

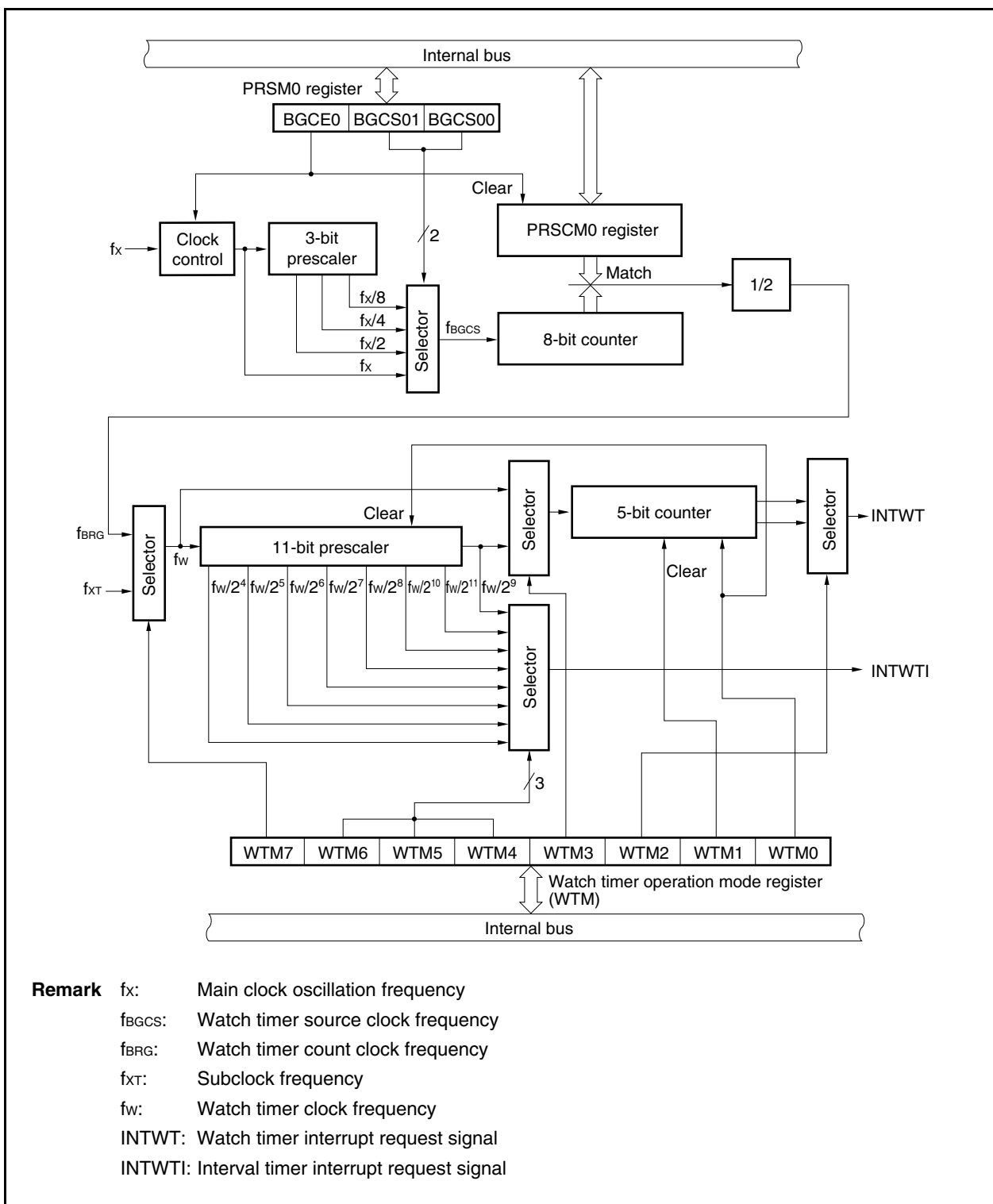
The watch timer and interval timer functions can be used at the same time.

Caution INTWTI interrupt of the watch timer and INTRTC2 interrupt of RTC, and INTWT interrupt of the watch timer and INTRTC0 interrupt of RTC are alternate interrupt signals, and therefore cannot be used simultaneously.

10.2 Configuration

The block diagram of the watch timer is shown below.

Figure 10-1. Block Diagram of Watch Timer



(1) Clock control

This block controls supplying and stopping the operating clock (f_x) when the watch timer operates on the main clock.

(2) 3-bit prescaler

This prescaler divides f_x to generate $f_x/2$, $f_x/4$, or $f_x/8$.

(3) 8-bit counter

This counter counts the source clock (f_{BGCS}).

(4) 11-bit prescaler

This prescaler divides f_w to generate a clock of $f_w/2^4$ to $f_w/2^{11}$.

(5) 5-bit counter

This counter counts f_w or $f_w/2^9$, and generates a watch timer interrupt request signal at intervals of $2^4/f_w$, $2^5/f_w$, $2^{12}/f_w$, or $2^{14}/f_w$.

(6) Selector

The watch timer has the following five selectors.

- Selector that selects one of f_x , $f_x/2$, $f_x/4$, or $f_x/8$ as the source clock of the watch timer
- Selector that selects the main clock (f_x) or subclock (f_{XT}) as the clock of the watch timer
- Selector that selects f_w or $f_w/2^9$ as the count clock frequency of the 5-bit counter
- Selector that selects $2^4/f_w$, $2^{13}/f_w$, $2^5/f_w$, or $2^{14}/f_w$ as the INTWT signal generation time interval
- Selector that selects $2^4/f_w$ to $2^{11}/f_w$ as the interval timer interrupt request signal (INTWTI) generation time interval

(7) PRSCM0 register

This is an 8-bit compare register that sets the interval time.

(8) PRSM0 register

This register controls clock supply to the watch timer.

(9) WTM register

This is an 8-bit register that controls the operation of the watch timer/interval timer, and sets the interrupt request signal generation interval.

10.3 Control Registers

The following registers are provided for the watch timer.

- Prescaler mode register 0 (PRSM0)
- Prescaler compare register 0 (PRSCM0)
- Watch timer operation mode register (WTM)

(1) Prescaler mode register 0 (PRSM0)

The PRSM0 register controls the generation of the watch timer count clock.

This register can be read or written in 8-bit or 1-bit units.

Reset sets this register to 00H.

After reset: 00H R/W Address: FFFFF8B0H

	7	6	5	<4>	3	2	1	0
PRSM0	0	0	0	BGCE0	0	0	BGCS01	BGCS00

BGCE0	Main clock operation enable
0	Disabled
1	Enabled

BGCS01	BGCS00	Selection of watch timer source clock (f_{BGCS})		
			5 MHz	4 MHz
0	0	f_x	200 ns	250 ns
0	1	$f_x/2$	400 ns	500 ns
1	0	$f_x/4$	800 ns	1 μ s
1	1	$f_x/8$	1.6 μ s	2 μ s

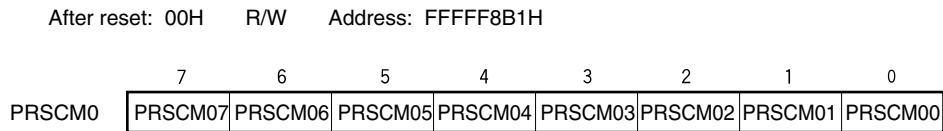
- Cautions**
1. Do not change the values of the BGCS00 and BGCS01 bits during watch timer operation.
 2. Set the PRSM0 register before setting the BGCE0 bit to 1.
 3. Set the PRSM0 and PRSCM0 registers according to the main clock frequency that is used so as to obtain an f_{BRG} frequency of 32.768 kHz.

(2) Prescaler compare register 0 (PRSCM0)

The PRSCM0 register is an 8-bit compare register.

This register can be read or written in 8-bit units.

Reset sets this register to 00H.



- Cautions**
1. Do not rewrite the PRSCM0 register during watch timer operation.
 2. Set the PRSCM0 register before setting the PRSM0.BGCE0 bit to 1.
 3. Set the PRSM0 and PRSCM0 registers according to the main clock frequency that is used so as to obtain an f_{BRG} frequency of 32.768 kHz.

The calculation for f_{BRG} is shown below.

$$f_{BRG} = f_{BGCS}/2N$$

Remark f_{BGCS} : Watch timer source clock set by the PRSM0 register

N: Set value of the PRSCM0 register = 1 to 256

However, N = 256 when the PRSCM0 register is set to 00H.

(3) Watch timer operation mode register (WTM)

The WTM register enables or disables the count clock and operation of the watch timer, sets the interval time of the prescaler, controls the operation of the 5-bit counter, and sets the set time of the watch flag.

Set the PRSM0, PRSCM0 register before setting the WTM register.

This register can be read or written in 8-bit or 1-bit units.

Reset sets this register to 00H.

(1/2)

After reset: 00H R/W Address: FFFF680H

	7	6	5	4	3	2	<1>	<0>
WTM	WTM7	WTM6	WTM5	WTM4	WTM3	WTM2	WTM1	WTM0

WTM7	WTM6	WTM5	WTM4	Selection of interval time of prescaler
0	0	0	0	$2^4/f_w$ (488 μ s: $f_w = f_{XT}$)
0	0	0	1	$2^5/f_w$ (977 μ s: $f_w = f_{XT}$)
0	0	1	0	$2^6/f_w$ (1.95 ms: $f_w = f_{XT}$)
0	0	1	1	$2^7/f_w$ (3.91 ms: $f_w = f_{XT}$)
0	1	0	0	$2^8/f_w$ (7.81 ms: $f_w = f_{XT}$)
0	1	0	1	$2^9/f_w$ (15.6 ms: $f_w = f_{XT}$)
0	1	1	0	$2^{10}/f_w$ (31.3 ms: $f_w = f_{XT}$)
0	1	1	1	$2^{11}/f_w$ (62.5 ms: $f_w = f_{XT}$)
1	0	0	0	$2^4/f_w$ (488 μ s: $f_w = f_{BRG}$)
1	0	0	1	$2^5/f_w$ (977 μ s: $f_w = f_{BRG}$)
1	0	1	0	$2^6/f_w$ (1.95 ms: $f_w = f_{BRG}$)
1	0	1	1	$2^7/f_w$ (3.90 ms: $f_w = f_{BRG}$)
1	1	0	0	$2^8/f_w$ (7.81 ms: $f_w = f_{BRG}$)
1	1	0	1	$2^9/f_w$ (15.6 ms: $f_w = f_{BRG}$)
1	1	1	0	$2^{10}/f_w$ (31.2 ms: $f_w = f_{BRG}$)
1	1	1	1	$2^{11}/f_w$ (62.5 ms: $f_w = f_{BRG}$)

(2/2)

WTM7	WTM3	WTM2	Selection of set time of watch flag
0	0	0	$2^{14}/f_w$ (0.5 s: $f_w = f_{XT}$)
0	0	1	$2^{13}/f_w$ (0.25 s: $f_w = f_{XT}$)
0	1	0	$2^5/f_w$ (977 μ s: $f_w = f_{XT}$)
0	1	1	$2^4/f_w$ (488 μ s: $f_w = f_{XT}$)
1	0	0	$2^{14}/f_w$ (0.5 s: $f_w = f_{BRG}$)
1	0	1	$2^{13}/f_w$ (0.25 s: $f_w = f_{BRG}$)
1	1	0	$2^5/f_w$ (977 μ s: $f_w = f_{BRG}$)
1	1	1	$2^4/f_w$ (488 μ s: $f_w = f_{BRG}$)

WTM1	Control of 5-bit counter operation
0	Clears after operation stops
1	Starts

WTM0	Watch timer operation enable
0	Stops operation (clears both prescaler and 5-bit counter)
1	Enables operation

Caution Rewrite the WTM2 to WTM7 bits while both the WTM0 and WTM1 bits are 0.

- Remarks**
1. f_w : Watch timer clock frequency
 2. Values in parentheses apply to operation with $f_w = 32.768$ kHz

10.4 Operation

10.4.1 Watch timer operations

The watch timer operates on the main clock or subclock (32.768 kHz) and generates an interrupt request signal (INTWT) at fixed, exact time intervals of 0.25 or 0.5 seconds.

Counting starts when the WTM.WTM1 and WTM.WTM0 bits are set to 11. When the WTM0 bit is cleared to 0, the 11-bit prescaler and 5-bit counter are cleared and counting stops.

The time of the watch timer can be adjusted by clearing the WTM1 bit to 0 and then clearing the 5-bit counter when the watch timer is operating at the same time as the interval timer. At this time, an error of up to 15.6 ms may occur in the watch timer, but the interval timer is not affected.

If the main clock is used as the count clock of the watch timer, set the count clock using the PRSM0.BGCS01 and BGCS00 bits and the 8-bit comparison value using the PRSCM0 register, and set the count clock frequency (f_{BRG}) of the watch timer to 32.768 kHz.

When the PRSM0.BGCE0 bit is set to 1, f_{BRG} is supplied to the watch timer.

f_{BRG} can be calculated by using the following expression.

$$f_{BRG} = fx / (2^{m+1} \times N)$$

To set f_{BRG} to 32.768 kHz, perform the following calculation and set the BGCS01 and BGCS00 bits and the PRSCM0 register.

<1> Set $N = fx / 65,536$. Set $m = 0$.

<2> When the value resulting from rounding up the first decimal place of N is even, set N before the roundup as $N/2$ and m as $m + 1$.

<3> Repeat <2> until N is odd or $m = 3$.

<4> Set the value resulting from rounding up the first decimal place of N to the PRSCM0 register and m to the BGCS01 and BGCS00 bits.

Example: When $fx = 4.00$ MHz

<1> $N = 4,000,000 / 65,536 = 61.03\dots$, $m = 0$

<2>, <3> Because N (round up the first decimal place) is odd, $N = 61$, $m = 0$.

<4> Set value of PRSCM0 register: 3DH (61), set value of BGCS01 and BGCS00 bits: 00

At this time, the actual f_{BRG} frequency is as follows.

$$\begin{aligned} f_{BRG} &= fx / (2^{m+1} \times N) = 4,000,000 / (2 \times 61) \\ &= 32.787 \text{ kHz} \end{aligned}$$

Remark m : Division value (set value of BGCS01 and BGCS00 bits) = 0 to 3

N : Set value of PRSCM0 register = 1 to 256

However, $N = 256$ when PRSCM0 register is set to 00H.

fx : Main clock oscillator frequency

10.4.2 Interval timer operations

The watch timer can also be used as an interval timer that repeatedly generates an interrupt request signal (INTWTI) at intervals determined by certain conditions.

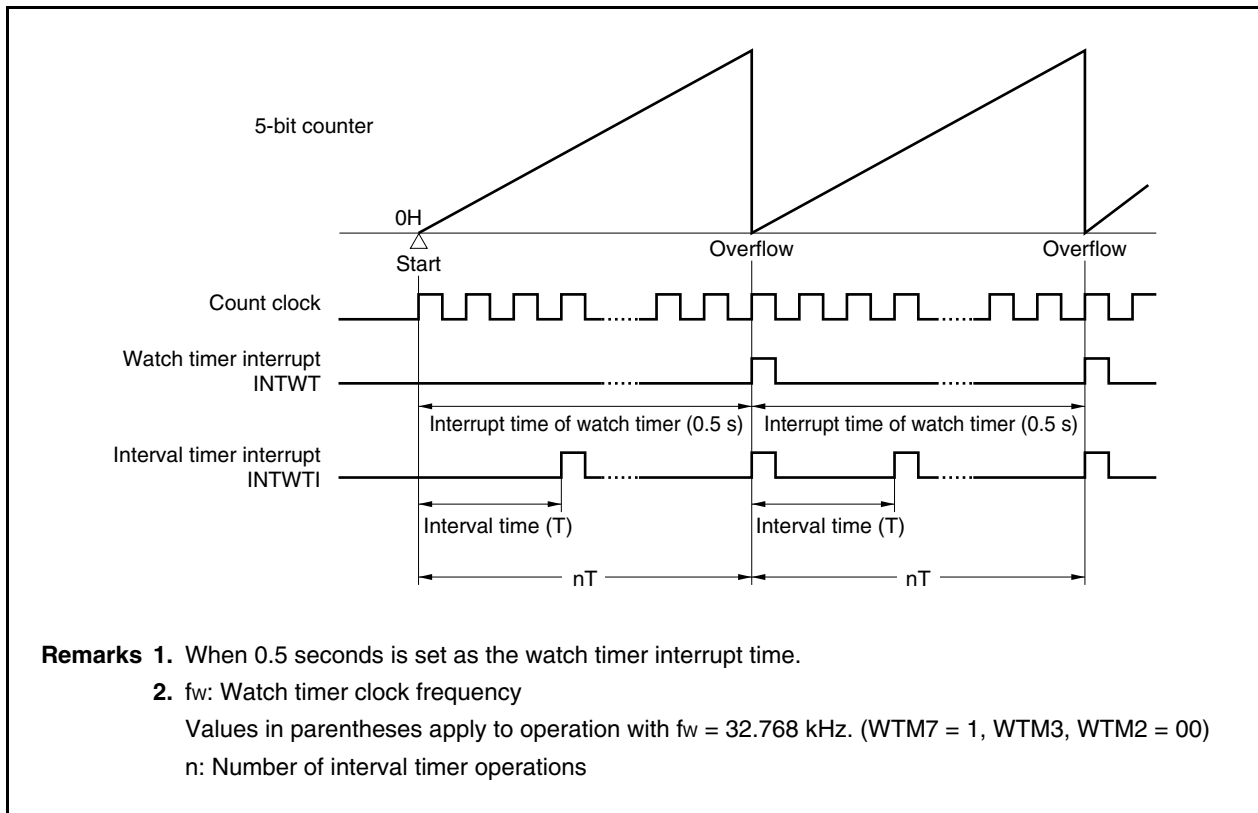
The interval time can be selected by using the WTM4 to WTM7 bits of the WTM register.

Table 10-1. Interval Time of Interval Timer

WTM7	WTM6	WTM5	WTM4	Interval Time	
0	0	0	0	$2^4 \times 1/f_w$	488 μ s (operating at $f_w = f_{XT} = 32.768$ kHz)
0	0	0	1	$2^5 \times 1/f_w$	977 μ s (operating at $f_w = f_{XT} = 32.768$ kHz)
0	0	1	0	$2^6 \times 1/f_w$	1.95 ms (operating at $f_w = f_{XT} = 32.768$ kHz)
0	0	1	1	$2^7 \times 1/f_w$	3.91 ms (operating at $f_w = f_{XT} = 32.768$ kHz)
0	1	0	0	$2^8 \times 1/f_w$	7.81 ms (operating at $f_w = f_{XT} = 32.768$ kHz)
0	1	0	1	$2^9 \times 1/f_w$	15.6 ms (operating at $f_w = f_{XT} = 32.768$ kHz)
0	1	1	0	$2^{10} \times 1/f_w$	31.3 ms (operating at $f_w = f_{XT} = 32.768$ kHz)
0	1	1	1	$2^{11} \times 1/f_w$	62.5 ms (operating at $f_w = f_{XT} = 32.768$ kHz)
1	0	0	0	$2^4 \times 1/f_w$	488 μ s (operating at $f_w = f_{BRG} = 32.768$ kHz)
1	0	0	1	$2^5 \times 1/f_w$	977 μ s (operating at $f_w = f_{BRG} = 32.768$ kHz)
1	0	1	0	$2^6 \times 1/f_w$	1.95 ms (operating at $f_w = f_{BRG} = 32.768$ kHz)
1	0	1	1	$2^7 \times 1/f_w$	3.91 ms (operating at $f_w = f_{BRG} = 32.768$ kHz)
1	1	0	0	$2^8 \times 1/f_w$	7.81 ms (operating at $f_w = f_{BRG} = 32.768$ kHz)
1	1	0	1	$2^9 \times 1/f_w$	15.6 ms (operating at $f_w = f_{BRG} = 32.768$ kHz)
1	1	1	0	$2^{10} \times 1/f_w$	31.3 ms (operating at $f_w = f_{BRG} = 32.768$ kHz)
1	1	1	1	$2^{11} \times 1/f_w$	62.5 ms (operating at $f_w = f_{BRG} = 32.768$ kHz)

Remark f_w : Watch timer clock frequency

Figure 10-2. Timing of Watch Timer and Interval Timer Operations

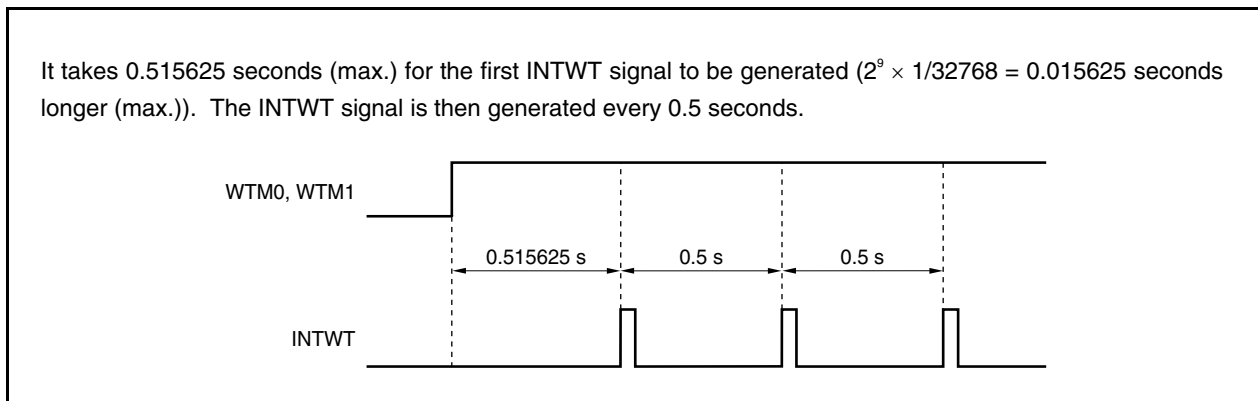


10.5 Cautions

(1) Operation as watch timer

The first watch timer interrupt request signal (INTWT) is not generated at the exact time specified using the WTM2 and WTM3 bits after operation is enabled (WTM.WTM1 and WTM.WTM0 bits = 11). The second and subsequent INTWT signals are generated at the specified time.

**Figure 10-3. Example of Generation of Watch Timer Interrupt Request Signal (INTWT)
(When Interrupt Cycle = 0.5 s)**



(2) When watch timer and interval timer WT operate simultaneously

The interval time of interval timer WT can be set to a value between 488 μ s and 62.5 ms. It cannot be changed later.

Do not stop interval timer WT (by clearing the WTM.WTM0 bit to 0) while the watch timer is operating. If the WTM0 bit is set to 1 again after it had been cleared to 0, the watch timer will have a discrepancy of up to 0.5 or 0.25 seconds.

CHAPTER 11 REAL-TIME COUNTER

11.1 Functions

The real-time counter (RTC) has the following features.

- Counting up to 99 years using year, month, day-of-week, day, hour, minute, and second sub-counters provided
- Year, month, day-of-week, day, hour, minute, and second counter display using BCD codes^{Note 1}
- Alarm interrupt function
- Constant-period interrupt function (period: 1 month to 0.5 second)
- Interval interrupt function (period: 1.95 ms to 125 ms)
- Pin output function of 1 Hz
- Pin output function of 32.768 kHz
- Pin output function of 512 Hz or 16.384 kHz
- Watch error correction function
- Subclock operation or main clock operation^{Note 2} selectable

Notes 1. A BCD (binary coded decimal) code expresses each digit of a decimal number in 4-bit binary format.

2. Use the baud rate generator dedicated to the real-time counter to divide the main clock frequency to 32.768 kHz for use.

- Cautions1.** The watch timer and RTC alternate interrupt signal and therefore cannot be used simultaneously.
2. If the normal operating mode is restored after entering the RTC backup mode, an error of up to 1 second might occur for the RTC subcounter.
 3. The usable RTC functions differ as shown below in the normal operating mode and RTC backup mode.

Function	Normal operation mode	RTC backup mode
Year, month, day-of-week, day, hour, minute, sub-counters count function	enable	enable
Interrupt function (alarm, constant-period, interval)	enable	disable
Pin output function (32.768 kHz, 16.384 kHz, 512 kHz, 1Hz)	enable	disable
Watch error correction function	enable	disable

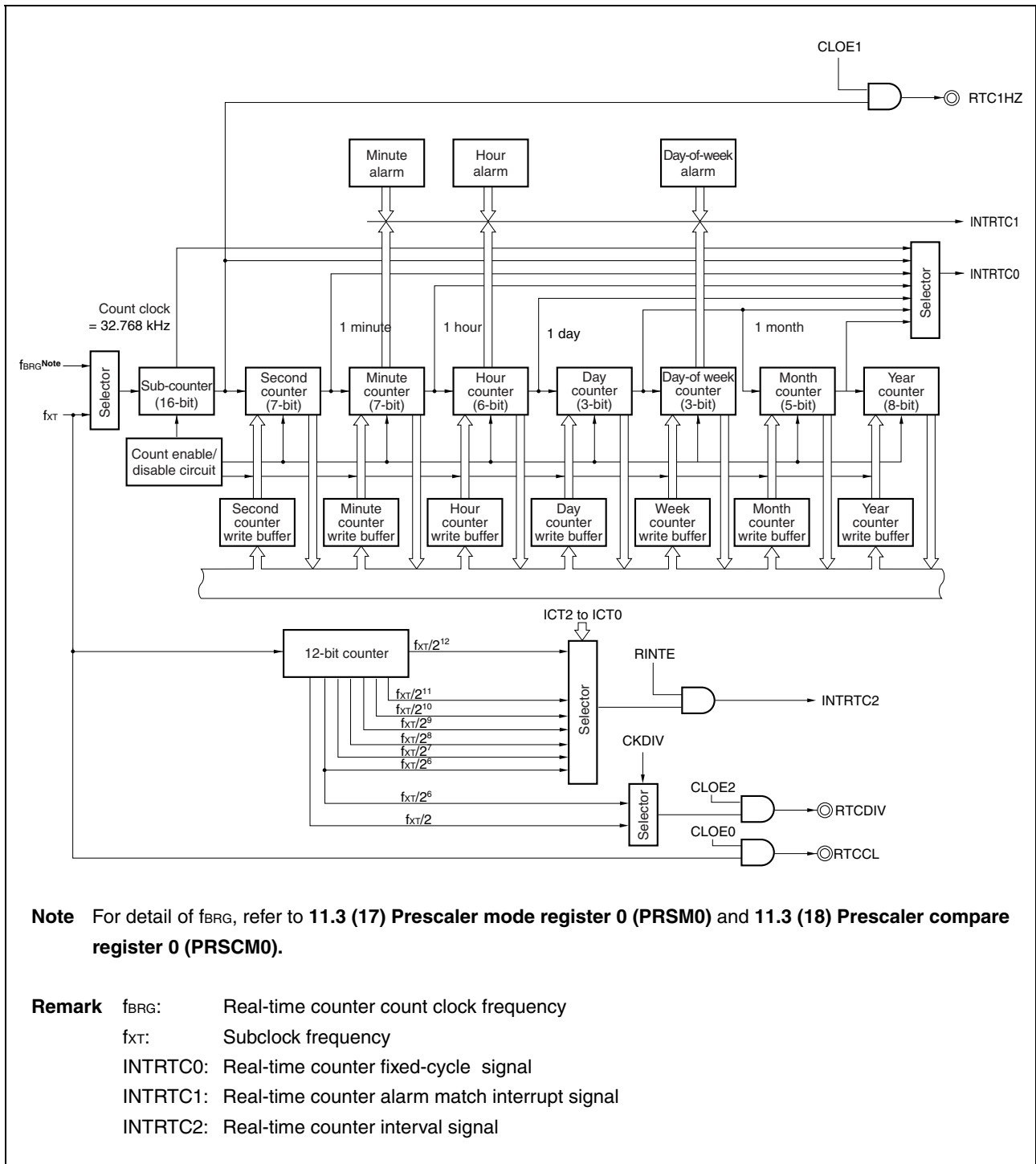
11.2 Configuration

The real-time counter includes the following hardware.

Table 11-1. Configuration of Real-Time Counter

Item	Configuration
Control registers	Real-time counter control register 0 (RC1CC0) Real-time counter control register 1 (RC1CC1) Real-time counter control register 2 (RC1CC2) Real-time counter control register 3 (RC1CC3) Sub-count register (RC1SUBC) Second count register (RC1SEC) Minute count register (RC1MIN) Hour count register (RC1HOUR) Day count register (RC1DAY) Day-of-week count register (RC1WEEK) Month count register (RC1MONTH) Year count register (RC1YEAR) Watch error correction register (RC1SUBU) Alarm minute register (RC1ALM) Alarm hour register (RC1ALH) Alarm week register (RC1ALW) Prescaler mode register 0 (PRSM0) Prescaler compare register 0 (PRSCM0)

Figure 11-1. Block Diagram of Real-Time Counter



Note For detail of f_{BRG} , refer to 11.3 (17) Prescaler mode register 0 (PRSM0) and 11.3 (18) Prescaler compare register 0 (PRSCM0).

- Remark**
- f_{BRG} : Real-time counter count clock frequency
 - f_{XT} : Subclock frequency
 - INTRTC0: Real-time counter fixed-cycle signal
 - INTRTC1: Real-time counter alarm match interrupt signal
 - INTRTC2: Real-time counter interval signal

11.2.1 Pin configuration

The RTC outputs included in the real-time counter are alternatively used as shown in Table 11-2. The port function must be set when using each pin (see **Table 4-15 Settings When Pins Are Used for Alternate Functions**).

Table 11-2. Pin Configuration

Pin Number		Port	RTC Output	Other Alternate Function
GC	F1			
30	G3	P03	RTC1HZ	INTP0/ADTRG/UCLK
28	H4	P04	RTCDIV	INTP1/ADTRG /RTCCL
28	H4	P04	RTCCL	INTP1/ADTRG /RTCDIV

Remark GC : 100-pin plastic LQFP (fine pitch) (14 × 14)

F1 : 121-pin plastic FBGA (8 × 8)

11.2.2 Interrupt functions

The RTC includes the following three types of interrupt signals.

(1) INTRTC0

A fixed-cycle interrupt signal is generated every 0.5 second, second, minute, hour, day, or month.

(2) INTRTC1

Alarm interrupt signal

(3) INTRTC2

An interval interrupt signal of a cycle of $f_{XT}/2^6$, $f_{XT}/2^7$, $f_{XT}/2^8$, $f_{XT}/2^9$, $f_{XT}/2^{10}$, $f_{XT}/2^{11}$, or $f_{XT}/2^{12}$ is generated.

11.3 Registers

The real-time counter is controlled by the following 18 registers.

(1) Real-time counter control register 0 (RC1CC0)

The RC1CC0 register selects the real-time counter input clock.

This register can be read or written in 8-bit or 1-bit units.

After reset: Note 1 R/W Address: FFFFADDH								
RC1CC0	7	6	5	4	3	2	1	0
	RC1PWR	RC1CKS	0	0	0	0	0	0
RC1PWR	Real-time counter operation control							
0	Stops real-time counter operation.							
1	Enables real-time counter operation.							
RC1CKS ^{Note2}	Operation clock selection							
0	Selects f_{XT} as operation clock.							
1	Selects f_{BRG} as operation clock.							

Notes1. RV_{DD} power-on reset : 00H
 Other kind of reset : Previous value retained

2. Be sure to clear RC1CKS bit to 0 in the RTC backup mode (RTCBUMCTL0.RBMSET = 1).
 For detail, see **24.9 RTC backup Mode.**

Cautions 1. Follow the description in 11.4.8 Initializing real-time counter when stopping (RC1PWR = 1 → 0) the real-time counter while it is operating.

2. The RC1CKS bit can be rewritten only when the real-time counter is stopped (RC1PWR bit = 0). Furthermore, rewriting the RC1CKS bit at the same time as setting the RC1PWR bit from 0 to 1 is prohibited.

(2) Real-time counter control register 1 (RC1CC1)

The RC1CC1 register is an 8-bit register that starts or stops the real-time counter, controls the RTCCL and RTC1HZ pins, selects the 12-hour or 24-hour system, and sets the fixed-cycle interrupt function.

This register can be read or written in 8-bit or 1-bit units.

After reset: **Note** R/W Address: FFFFFADEH

	7	6	5	4	3	2	1	0
RC1CC1	RTCE	0	CLOE1	CLOE0	AMPM	CT2	CT1	CT0

RTCE	Control of operation of each counter
0	Stops counter operation.
1	Enables counter operation.

CLOE1	RTC1HZ pin output control
0	Disables RTC1HZ pin output (1 Hz)
1	Enables RTC1HZ pin output (1 Hz)

CLOE0	RTCCL pin output control
0	Disables RTCCL pin output (32.768 kHz)
1	Enables RTCCL pin output (32.768 kHz)

AMPM	12-hour system/24-hour system selection
0	12-hour system (a.m. and p.m. are displayed.)
1	24-hour system

CT2	CT1	CT0	Fixed-cycle interrupt (INTRTC0) selection
0	0	0	Does not use fixed-cycle interrupts
0	0	1	Once in 0.5 second (synchronous with second count-up)
0	1	0	Once in 1 second (simultaneous with second count-up)
0	1	1	Once in 1 minute (every minute at 00 seconds)
1	0	0	Once in 1 hour (every hour at 00 minutes 00 seconds)
1	0	1	Once in 1 day (every day at 00 hours 00 minutes 00 seconds)
1	1	×	Once in 1 month (one day every month at 00 hours 00 minutes 00 seconds a.m.)

Note RV_{DD} power-on reset : 00H
Other kind of reset : Previous value retained

- Cautions**
- Writing 0 to the RTCE bit while the RTCE bit is 1 is prohibited. Clear the RTCE bit by clearing the RC1PWR bit according to 11.4.8 Initializing real-time counter.
 - The RTC1HZ output operates as follows when the CLOE1 bit setting is changed.
 - When changed from 0 to 1: The RTC1HZ output outputs a 1 Hz pulse after two clocks or less (2×32.768 kHz).
 - When changed from 1 to 0: The RTC1HZ output is stopped (fixed to low level) after two clocks or less (2×32.768 kHz).
 - See 11.4.1 Initial settings and 11.4.2 Rewriting each counter during real-time counter operation for setting or changing the AMPM bit. Furthermore, re-set the RC1HOUR register when the AMPM bit is rewritten.
 - See 11.4.4 Changing INTRTC0 interrupt setting during real-time counter operation when rewriting the CT2 to CT0 bits while the real-time counter operates (RC1PWR bit = 1).

Remark When RTC back up mode, fixed-cycle interrupt and RTCCL pin output are stop.

(3) Real-time counter control register 2 (RC1CC2)

The RC1CC2 register is an 8-bit register that controls the alarm interrupt function and waiting of counters. This register can be read or written in 8-bit or 1-bit units.

After reset: **Note** R/W Address: FFFFFADFH

	7	6	5	4	3	2	1	0
RC1CC2	WALE	0	0	0	0	0	RWST	RWAIT

WALE	Alarm interrupt (INTRTC1) operation control
0	Does not generate interrupt upon alarm match.
1	Generates interrupt upon alarm match.

RWST	Real-time counter wait state
0	Counter operating
1	Counting up of second to year counters stopped (Reading and writing of counter values enabled)

This is a status flag indicating whether the RWAIT bit setting is valid. Read or write counter values after confirming that the RWST bit is 1.

RWAIT	Real-time counter wait control
0	Sets counter operation.
1	Stops count operation of second to year counters. (Counter value read/write mode)

This bit controls the operation of the counters. Be sure to write 1 to this bit when reading or writing counter values. If the RC1SUBC register overflows while the RWAIT bit is 1, the overflow information is retained internally and the RC1SEC register is counted up after two clocks or less (2×32.768 kHz) after 0 is written to the RWAIT bit. However, if the second counter value is rewritten while the RWAIT bit is 1, the retained overflow information is discarded.

Note RV_{DD} power-on reset : 00H
Other kind of reset : Previous value retained

- Cautions**
1. See 11.4.5 Changing INTRTC1 interrupt setting during real-time counter operation when rewriting the WALE bit while the real-time counter operates (RC1PWR bit = 1).
 2. Confirm that the RWST bit is set to 1 when reading or writing each counter value.
 3. The RWST bit does not become 0 while each counter is being written, even if the RWAIT bit is set to 0. It becomes 0 when writing to each counter is completed.

Remark When RTC back up mode, Alarm interrupt is stop.

(4) Real-time counter control register 3 (RC1CC3)

The RC1CC3 register is an 8-bit register that controls the interval interrupt function and RTCDIV pin. This register can be read or written in 8-bit or 1-bit units.

After reset: **Note** R/W Address: FFFFFAE0H

	7	6	5	4	3	2	1	0
RC1CC3	RINTE	CLOE2	CKDIV	0	0	ICT2	ICT1	ICT0

RINTE	Interval interrupt (INTRTC2) control
0	Does not generate interval interrupt.
1	Generates interval interrupt.

CLOE2	RTCDIV pin output control
0	Disables RTCDIV pin output.
1	Enables RTCDIV pin output.

CKDIV	RTCDIV pin output frequency selection
0	Outputs 512 Hz (1.95 ms) from RTCDIV pin.
1	Outputs 16.384 kHz (0.061 ms) from RTCDIV pin.

ICT2	ICT1	ICT0	Interval interrupt (INTRTC2) selection
0	0	0	$2^6/f_{XT}$ (1.953125 ms)
0	0	1	$2^7/f_{XT}$ (3.90625 ms)
0	1	0	$2^8/f_{XT}$ (7.8125 ms)
0	1	1	$2^9/f_{XT}$ (15.625 ms)
1	0	0	$2^{10}/f_{XT}$ (31.25 ms)
1	0	1	$2^{11}/f_{XT}$ (62.5 ms)
1	1	×	$2^{12}/f_{XT}$ (125 ms)

Note RV_{DD} power-on reset : 00H
Other kind of reset : Previous value retained

- Cautions**
- See 11.4.7 Changing INTRTC2 interrupt setting during real-time counter operation when rewriting the RINTE bit during real-time counter operation (RC1PWR bit = 1).
 - The RTCDIV output operates as follows when the CLOE2 bit setting is changed.
 - When changed from 0 to 1: A pulse set by the CKDIV bit is output after two clocks or less ($2 \times 32.768\text{kHz}$).
 - When changed from 1 to 0: Output of the RTCDIV output is stopped after two clocks or less (fixed to low level, $2 \times 32.768\text{kHz}$).
 - See 11.4.7 Changing INTRTC2 interrupt setting during real-time counter operation when rewriting the ICT2 to ICT0 bits while the real-time counter operates (RC1PWR bit = 1).

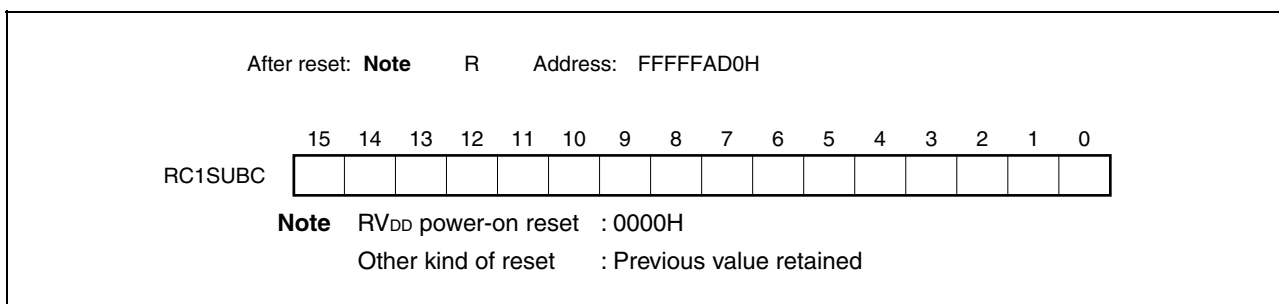
Remark When RTC back up mode, Interval interrupt and RTCCL pin output are stop.

(5) Sub-count register (RC1SUBC)

The RC1SUBC register is a 16-bit register that counts the reference time of 1 second of the real-time counter. It takes a value of 0000H to 7FFFH and counts one second with a clock of 32.768 kHz.

This register is read-only, in 16-bit units.

- Cautions**
1. When a correction is made by using the RC1SUBU register, the value may become 8000H or more.
 2. This register is also cleared by writing to the second count register.
 3. The value read from this register is not guaranteed if it is read during operation, because a changing value is read.

**(6) Second count register (RC1SEC)**

The RC1SEC register is an 8-bit register that takes a value of 0 to 59 (decimal) and indicates the count value of seconds.

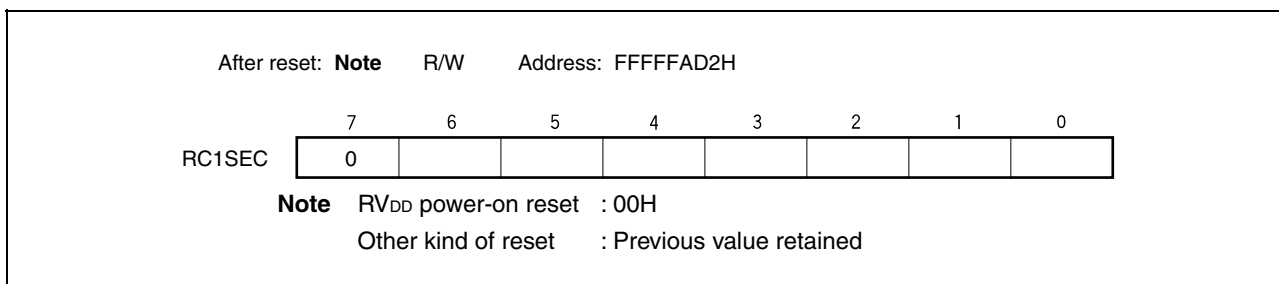
It counts up when the sub-counter overflows.

When data is written to this register, it is written to a buffer and then to the counter up to 2 clocks (2×32.768 kHz) later. Set a decimal value of 00 to 59 to this register in BCD code. If a value outside this range is set, the register value returns to the normal value after one period.

This register can be read or written in 8-bit units.

Caution Setting the RC1SEC register to values other than 00 to 59 is prohibited.

Remark See 11.4.1 Initial settings, 11.4.2 Rewriting each counter during real-time counter operation, and 11.4.3 Reading each counter during real-time counter operation when reading or writing the RC1SEC register.



(7) Minute count register (RC1MIN)

The RC1MIN register is an 8-bit register that takes a value of 0 to 59 (decimal) and indicates the count value of minutes.

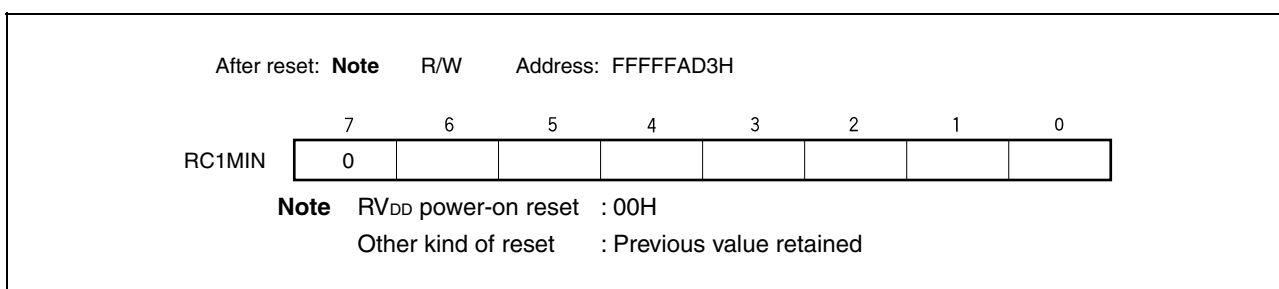
It counts up when the second counter overflows.

When data is written to this register, it is written to a buffer and then to the counter up to 2 clocks (2×32.768 kHz) later. Set a decimal value of 00 to 59 to this register in BCD code.

This register can be read or written 8-bit units.

Caution Setting a value other than 00 to 59 to the RC1MIN register is prohibited.

Remark See 11.4.1 Initial settings, 11.4.2 Rewriting each counter during real-time counter operation, and 11.4.3 Reading each counter during real-time counter operation when reading or writing the RC1MIN register.

**(8) Hour count register (RC1HOUR)**

The RC1HOUR register is an 8-bit register that takes a value of 0 to 23 or 1 to 12 (decimal) and indicates the count value of hours.

It counts up when the minute counter overflows.

When data is written to this register, it is written to a buffer and then to the counter up to 2 clocks (2×32.768 kHz) later. Set a decimal value of 00 to 23, 01 to 12, or 21 to 32 to this register in BCD code. If a value outside this range is set, the register value returns to the normal value after 1 period.

This register can be read or written 8-bit units.

However, the value of this register is 00H if the AMPM bit is set to 1 after apply power to RV_{DD} power-on reset.

- Cautions**
1. Bit 5 of the RC1HOUR register indicates a.m. (0) or p.m. (1) if AMPM = 0 (if the 12-hour system is selected).
 2. Setting a value other than 01 to 12, 21 to 32 (AMPM bit= 0), or 00 to 23 (AMPM bit = 1) to the RC1HOUR register is prohibited.

Remark See 11.4.1 Initial settings, 11.4.2 Rewriting each counter during real-time counter operation, and 11.4.3 Reading each counter during real-time counter operation when reading or writing the RC1HOUR register.

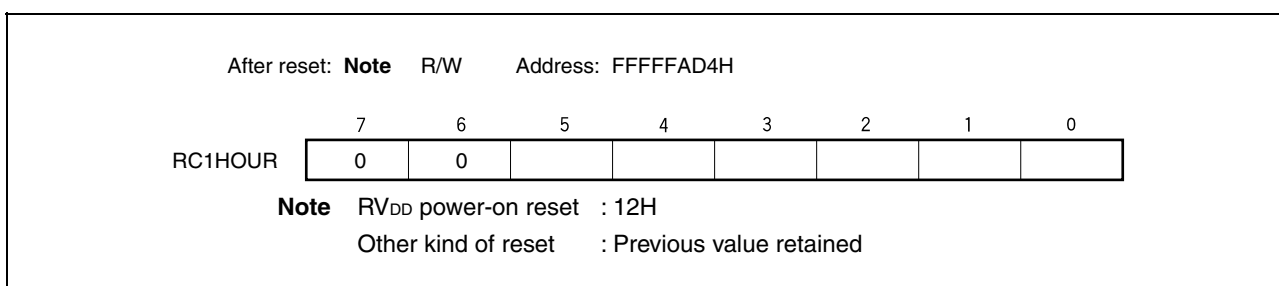


Table 11-3 shows the relationship among the AMPM bit setting value, RC1HOUR register value, and time.

Table 11-3. Time Digit Display

12-Hour Display (AMPM Bit = 0)		24-Hour Display (AMPM Bit = 1)	
Time	RC1HOUR Register Value	Time	RC1HOUR Register Value
0:00 a.m.	12 H	0:00	00H
1:00 a.m.	01 H	1:00	01 H
2:00 a.m.	02 H	2:00	02 H
3:00 a.m.	03 H	3:00	03 H
4:00 a.m.	04 H	4:00	04 H
5:00 a.m.	05 H	5:00	05 H
6:00 a.m.	06 H	6:00	06 H
7:00 a.m.	07 H	7:00	07 H
8:00 a.m.	08 H	8:00	08 H
9:00 a.m.	09 H	9:00	09 H
10:00 a.m.	10 H	10:00	10 H
11:00 a.m.	11 H	11:00	11 H
0:00 p.m.	32 H	12:00	12 H
1:00 p.m.	21 H	13:00	13 H
2:00 p.m.	22 H	14:00	14 H
3 :00 p.m.	23 H	15:00	15 H
4:00 p.m.	24 H	16:00	16 H
5:00 p.m.	25 H	17:00	17 H
6:00 p.m.	26 H	18:00	18 H
7:00 p.m.	27 H	19:00	19 H
8:00 p.m.	28 H	20:00	20 H
9:00 p.m.	29 H	21:00	21 H
10:00 p.m.	30 H	22:00	22 H
11:00 p.m.	31 H	23:00	23 H

The RC1HOUR register value is displayed in 12 hour-format if the AMPM bit is 0 and in 24-hour format when the AMPM bit is 1.

In 12-hour display, a.m. or p.m. is indicated by the fifth bit of RCHOUR: 0 indicating before noon (a.m.) and 1 indicating noon or afternoon (p.m.).

(9) Day count register (RC1DAY)

The RC1DAY register is an 8-bit register that takes a value of 1 to 31 (decimal) and indicates the count value of days.

It counts up when the hour counter overflows.

This counter counts as follows.

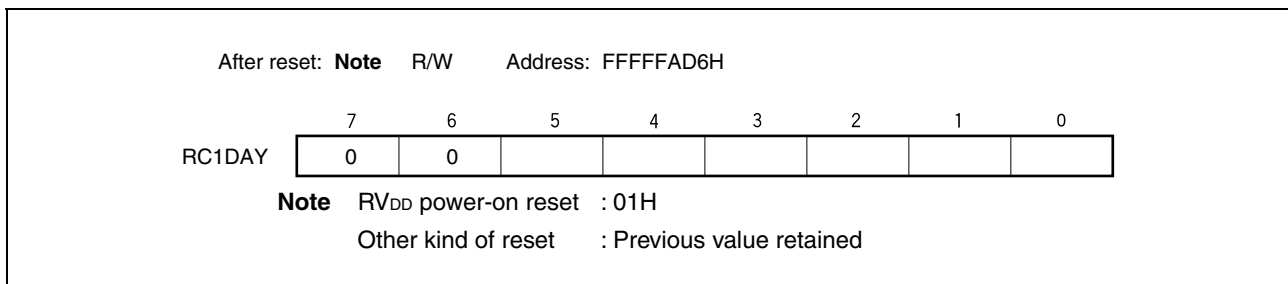
- 01 to 31 (January, March, May, July, August, October, December)
- 01 to 30 (April, June, September, November)
- 01 to 29 (February in leap year)
- 01 to 28 (February in normal year)

When data is written to this register, it is written to a buffer and then to the counter up to 2 clocks (2×32.768 kHz) later. Set a decimal value of 00 to 31 to this register in BCD code.

This register can be read or written in 8-bit units.

Caution Setting a value other than 01 to 31 to the RC1DAY register is prohibited. Setting a value outside the above-mentioned count range, such as “February 30” is also prohibited.

Remark See 11.4.1 Initial settings, 11.4.2 Rewriting each counter during real-time counter operation, and 11.4.3 Reading each counter during real-time counter operation when reading or writing the RC1DAY register.



(10) Day-of-week count register (RC1WEEK)

The RC1WEEK register is an 8-bit register that takes a value of 0 to 6 (decimal) and indicates the day-of-week count value.

It counts up in synchronization with the day counter.

When data is written to this register, it is written to a buffer and then to the counter up to 2 clocks (2×32.768 kHz) later. Set a decimal value of 00 to 06 to this register in BCD code. If a value outside this range is set, the register value returns to the normal value after 1 period.

This register can be read or written in 8-bit units.

After reset: Note		R/W	Address: FFFFFAD5H							
			7	6	5	4	3	2	1	0
RC1WEEK			0	0	0	0	0			
Note		RV _{DD} power-on reset : 00H								
		Other kind of reset : Previous value retained								

- Cautions**
1. Setting a value other than 00 to 06 to the RC1WEEK register is prohibited.
 2. Values corresponding to the month count register and day count register are not automatically stored to the day-of-week register.
- Be sure to set as follows after apply power to RV_{DD} release.

Day of Week	RC1WEEK
Sunday	00H
Monday	01H
Tuesday	02H
Wednesday	03H
Thursday	04H
Friday	05H
Saturday	06H

Remark See 11.4.1 Initial settings, 11.4.2 Rewriting each counter during real-time counter operation, and 11.4.3 Reading each counter during real-time counter operation when reading or writing the RC1WEEK register.

(11) Month count register (RC1MONTH)

The RC1MONTH register is an 8-bit register that takes a value of 1 to 12 (decimal) and indicates the count value of months.

It counts up when the day counter overflows.

When data is written to this register, it is written to a buffer and then to the counter up to 2 clocks (2×32.768 kHz) later. Set a decimal value of 01 to 12 to this register in BCD code.

This register can be read or written in 8-bit units.

Caution Setting a value other than 01 to 12 to the RC1MONTH register is prohibited.

Remark See 11.4.1 Initial settings, 11.4.2 Rewriting each counter during real-time counter operation, and 11.4.3 Reading each counter during real-time counter operation when reading or writing the RC1MONTH register.

After reset: Note		R/W	Address: FFFFFAD7H							
			7	6	5	4	3	2	1	0
RC1MONTH			0	0	0					
Note			RV _{DD} power-on reset : 01H							
			Other kind of reset : Previous value retained							

(12) Year count register (RC1YEAR)

The RC1YEAR register is an 8-bit register that takes a value of 0 to 99 (decimal) and indicates the count value of years.

It counts up when the month counter overflows.

Values 00, 04, 08, ..., 92, and 96 indicate a leap year.

When data is written to this register, it is written to a buffer and then to the counter up to 2 clocks (2×32.768 kHz) later. Set a decimal value of 00 to 99 to this register in BCD code.

This register can be read or written in 8-bit units.

Caution Setting a value other than 00 to 99 to the RC1YEAR register is prohibited.

Remark See 11.4.1 Initial settings, 11.4.2 Rewriting each counter during real-time counter operation, and 11.4.3 Reading each counter during real-time counter operation when reading or writing the RC1YEAR register.

After reset: Note		R/W	Address: FFFFFAD8H							
			7	6	5	4	3	2	1	0
RC1YEAR										
Note			RV _{DD} power-on reset : 00H							
			Other kind of reset : Previous value retained							

(13) Watch error correction register (RC1SUBU)

The RC1SUBU register can be used to correct the watch with high accuracy when the watch is early or late, by changing the value (reference value: 7FFFH) overflowing from the sub-count register (RSUBC) to the second counter register.

This register can be read or written in 8-bit or 1-bit units.

- Remarks**
1. The RC1SUBU register can be rewritten only when the real-time counter is set to its initial values. Be sure to see **11.4.1 Initial settings**.
 2. See **11.4.9 Watch error correction example of real-time counter** for details of watch error correction.
 3. Watch error correction stops in the RTC backup mode.

After reset: **Note** R/W Address: FFFFFAD9H

	7	6	5	4	3	2	1	0
RC1SUBU	DEV	F6	F5	F4	F3	F2	F1	F0

DEV	Setting of watch error correction timing
0	Corrects watch errors when RC1SEC (second counter) is at 00, 20, or 40 seconds (every 20 seconds).
1	Corrects watch errors when RC1SEC (second counter) is at 00 seconds (every 60 seconds).

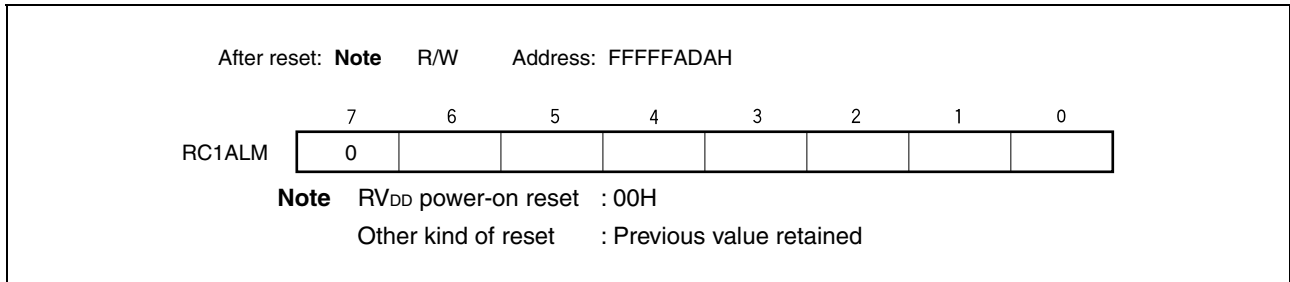
F6	Setting of watch error correction value
0	Increases the RC1SUBC count value by the value set using the F5 to F0 bits (positive correction). Expression for calculating increment value: (Setting value of F5 to F0 bits - 1) × 2
1	Decrements the RC1SUBC count value by the value set using the F5 to F0 bits (negative correction). Expression for calculating decrement value: (Inverted value of setting value of F5 to F0 bits + 1) × 2
If the F6 to F0 bit values are {1/0, 0, 0, 0, 0, 0, 1/0}, watch error correction is not performed.	

Note RV_{DD} power-on reset : 00H
Other kind of reset : Previous value retained

(14) Alarm minute setting register (RC1ALM)

The RC1ALM register is used to set minutes of alarm.
This register can be read or written in 8-bit units.

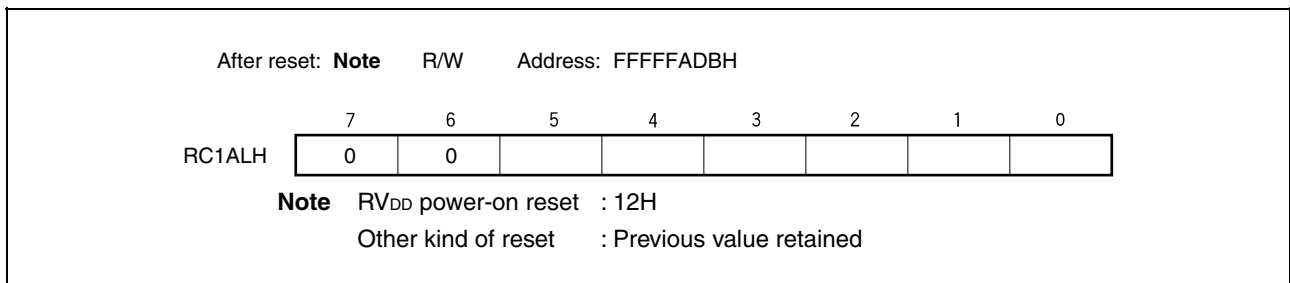
Caution Set a decimal value of 00 to 59 to this register in BCD code. If a value outside the range is set, the alarm is not detected.

**(15) Alarm hour setting register (RC1ALH)**

The RC1ALH register is used to set hours of alarm.
This register can be read or written in 8-bit units.

Cautions

1. Set a decimal value of 00 to 23, 01 to 12, or 21 to 32 to this register in BCD code. If a value outside the range is set, the alarm is not detected.
2. Bit 5 of the RC1ALH register indicates a.m. (0) or p.m. (1) if the AMPM bit = 0 (12-hour system) is selected.



(16) Alarm day-of-week setting register (RC1ALW)

The RC1ALW register is used to set the day-of-week of the alarm.

This register can be read or written in 8-bit units.

Caution See 11.4.5 Changing INTRTC1 interrupt setting during real-time counter operation when rewriting the RC1ALW register while the real-time counter operates (RC1PWR bit = 1).

After reset: Note		R/W	Address: FFFFFADCH					
RC1ALW	7	6	5	4	3	2	1	0
	0	RC1ALW6	RC1ALW5	RC1ALW4	RC1ALW3	RC1ALW2	RC1ALW1	RC1ALW0
		Saturday	Friday	Thursday	Wednesday	Tuesday	Monday	Sunday
RC1ALW6	Alarm interrupt day-of-week bit 6							
0	Does not generate alarm interrupt if RC1WEEK = 06H (Saturday).							
1	Generates an alarm interrupt if the time specified by using the RC1ALM and RC1ALH registers is reached while RC1WEEK is set to 06H (Saturday).							
RC1ALW5	Alarm interrupt day-of-week bit 5							
0	Does not generate alarm interrupt if RC1WEEK = 05H (Friday).							
1	Generates an alarm interrupt if the time specified by using the RC1ALM and RC1ALH registers is reached while RC1WEEK is set to 05H (Friday).							
RC1ALW4	Alarm interrupt day-of-week bit 4							
0	Does not generate alarm interrupt if RC1WEEK = 04H (Thursday).							
1	Generates an alarm interrupt if the time specified by using the RC1ALM and RC1ALH registers is reached while RC1WEEK is set to 04H (Thursday).							
RC1ALW3	Alarm interrupt day-of-week bit 3							
0	Does not generate alarm interrupt if RC1WEEK = 03H (Wednesday).							
1	Generates an alarm interrupt if the time specified by using the RC1ALM and RC1ALH registers is reached while RC1WEEK is set to 03H (Wednesday).							
RC1ALW2	Alarm interrupt day-of-week bit 2							
0	Does not generate alarm interrupt if RC1WEEK = 02H (Tuesday).							
1	Generates an alarm interrupt if the time specified by using the RC1ALM and RC1ALH registers is reached while RC1WEEK is set to 02H (Tuesday).							
RC1ALW1	Alarm interrupt day-of-week bit 1							
0	Does not generate alarm interrupt if RC1WEEK = 01H (Monday).							
1	Generates an alarm interrupt if the time specified by using the RC1ALM and RC1ALH registers is reached while RC1WEEK is set to 01H (Monday).							
RC1ALW0	Alarm interrupt day-of-week bit 0							
0	Does not generate alarm interrupt if RC1WEEK = 00H (Sunday).							
1	Generates an alarm interrupt if the time specified by using the RC1ALM and RC1ALH registers is reached while RC1WEEK is set to 00H (Sunday).							
Note		RV _{DD} power-on reset : 00H						
		Other kind of reset : Previous value retained						

(a) Alarm interrupt setting examples (RC1ALM, RC1ALH, and RC1ALW setting examples)

Tables 11-4 and 11-5 show setting examples if Sunday is RC1WEEK = 00, Monday is RC1WEEK = 01, Tuesday is RC1WEEK = 02, ..., and Saturday is RC1WEEK = 06.

Table 11-4. Alarm Setting Example if AMPM = 0 (RC1HOUR Register 12-Hour Display)

Register	RC1ALW	RC1ALH	RC1ALM
Alarm Setting Time			
Sunday, 7:00 a.m.	01H	07H	00H
Sunday/Monday, 00:15 p.m.	03H	32H	15H
Monday/Tuesday/Friday, 5:30 p.m.	26H	25H	30H
Everyday, 10:45 p.m.	7FH	30H	45H

Table 11-5. Alarm Setting Example if AMPM = 1 (RC1HOUR Register 24-Hour Display)

Register	RC1ALW	RC1ALH	RC1ALM
Alarm Setting Time			
Sunday, 7:00	01H	07H	00H
Sunday/Monday, 12:15	03H	12H	15H
Monday/Tuesday/Friday, 17:30	26H	17H	30H
Everyday, 22:45	7FH	22H	45H

(17) Prescaler mode register 0 (PRSM0)

The PRSM0 register controls the generation of the real time counter count clock (f_{BRG}). This register can be read or written in 8-bit or 1-bit units. Reset sets this register to 00H.

After reset : 00H R/W Address : FFFFF8B0H

	7	6	5	<4>	3	2	1	0
PRSM0	0	0	0	BGCE0	0	0	BGCS01	BGCS00

BGCE0	Main clock operation enable
0	Disabled
1	Enabled

BGCS01	BGCS00	Selection of real time counter source clock(f _{BGCS})		
			5 MHz	4 MHz
0	0	fx	200 ns	250 ns
0	1	fx/2	400 ns	500 ns
1	0	fx/4	800 ns	1 μs
1	1	fx/8	1.6 μs	2 μs

Cautions

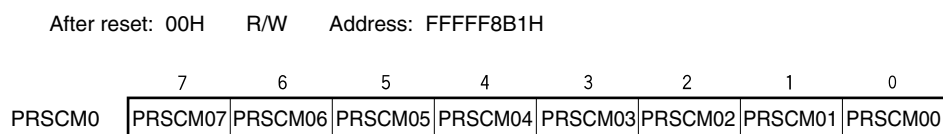
1. Do not change the values of the BGCS00 and BGCS01 bits during real time counteroperation.
2. Set the PRSM0 register before setting the BGCE0 bit to 1.
3. Set the PRSM0 and PRSCM0 registers according to the main clock frequency that is used so as to obtain an f_{BRG} frequency of 32.768 kHz.

(18) Prescaler compare register 0 (PRSCM0)

The PRSCM0 register is an 8-bit compare register.

This register can be read or written in 8-bit units.

Reset sets this register to 00H.



- Cautions**
1. Do not rewrite the PRSCM0 register during real time counter operation.
 2. Set the PRSCM0 register before setting the PRSM0.BGCE0 bit to 1.
 3. Set the PRSM0 and PRSCM0 registers according to the main clock frequency that is used so as to obtain an fBRG frequency of 32.768 kHz.

The calculation for fBRG is shown below.

$$f_{BRG} = f_{BGCS}/2N$$

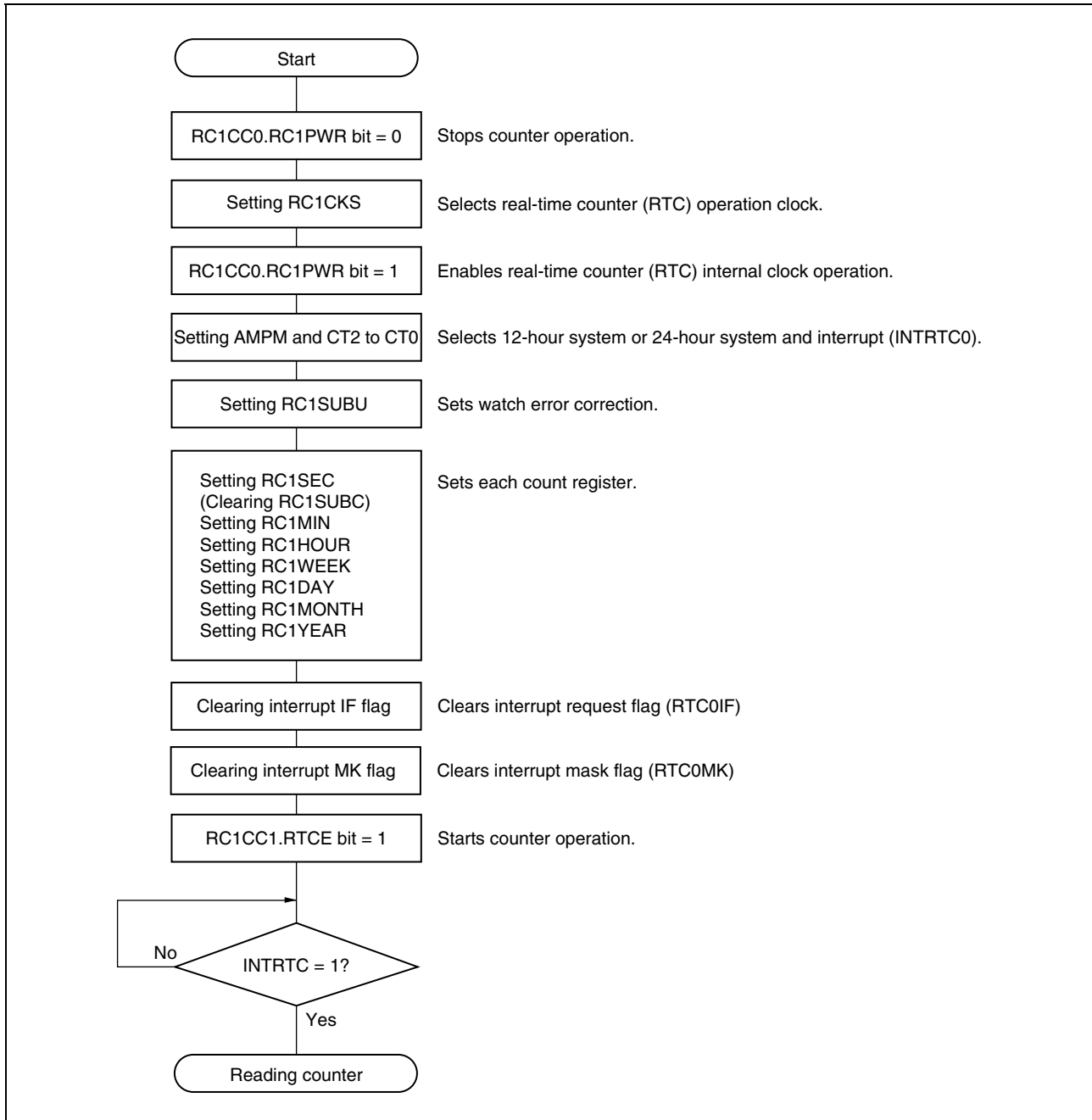
- Remark**
- f_{BGCS}: Watch timer source clock set by the PRSM0 register
 - N: Set value of the PRSCM0 register = 1 to 256
However, N = 256 when the PRSCM0 register is set to 00H.

11.4 Operation

11.4.1 Initial settings

The initial settings are set when operating the watch function and performing a fixed-cycle interrupt operation.

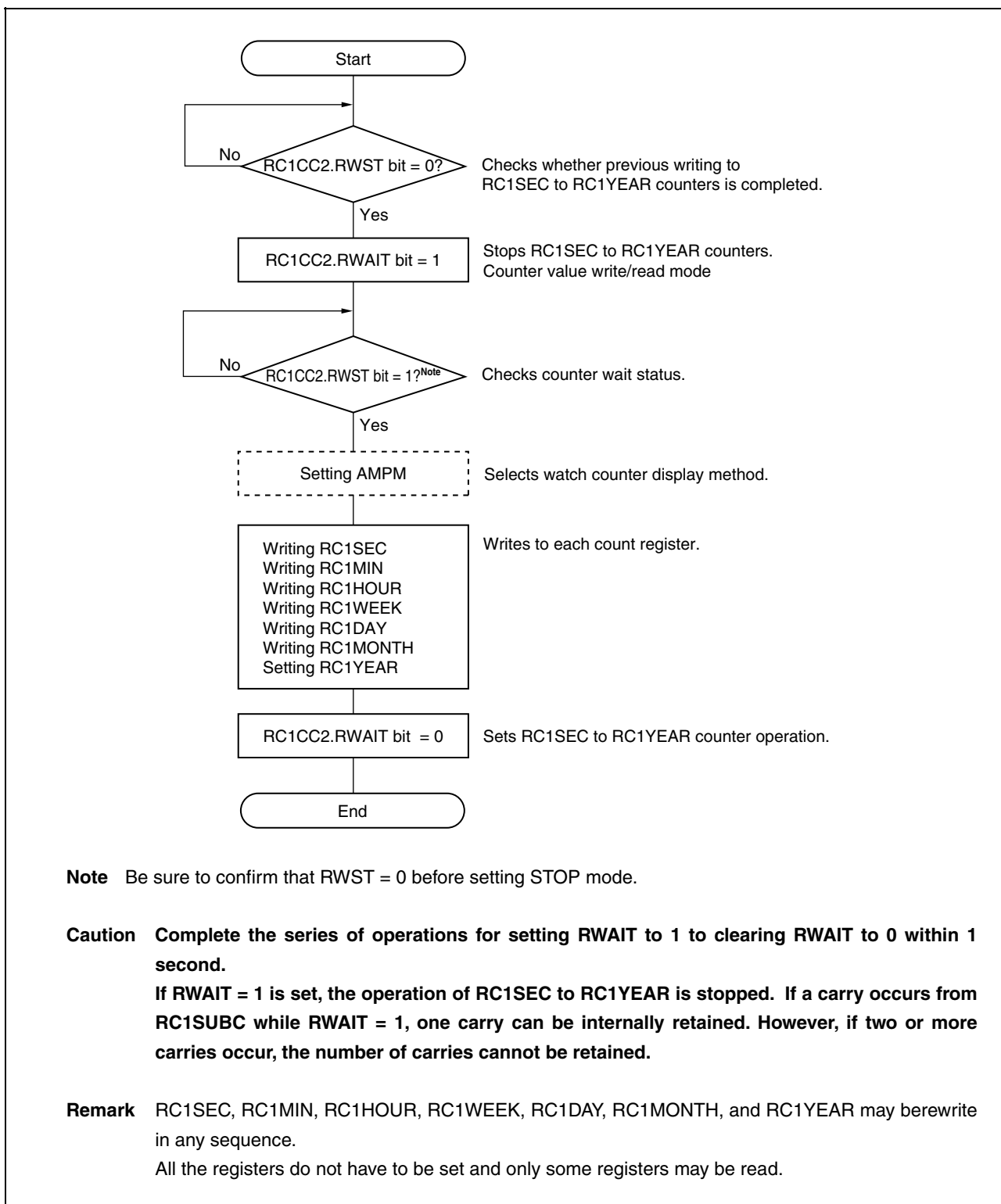
Figure 11-2. Initial Setting Procedure



11.4.2 Rewriting each counter during real-time counter operation

Set as follows when rewriting each counter (RC1SEC, RC1MIN, RC1HOUR, RC1WEEK, RC1DAY, RC1MONTH, RC1YEAR) during real-time counter operation (RC1PWR = 1, RTCE = 1).

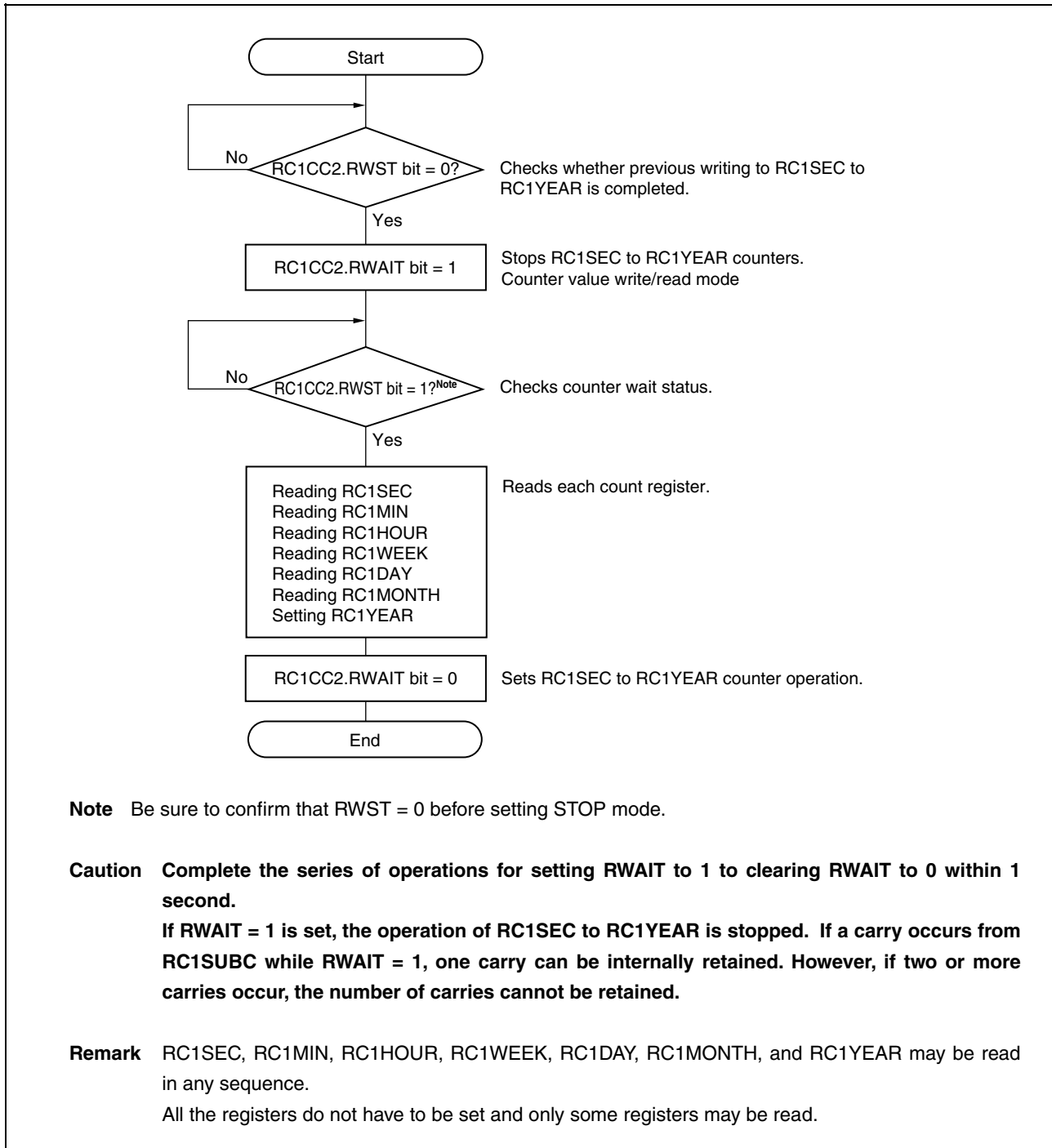
Figure 11-3. Rewriting Each Counter During Real-time Counter Operation



11.4.3 Reading each counter during real-time counter operation

Set as follows when reading each counter (RC1SEC, RC1MIN, RC1HOUR, RC1WEEK, RC1DAY, RC1MONTH, RC1YEAR) during real-time counter operation (RC1PWR = 1, RTCE = 1).

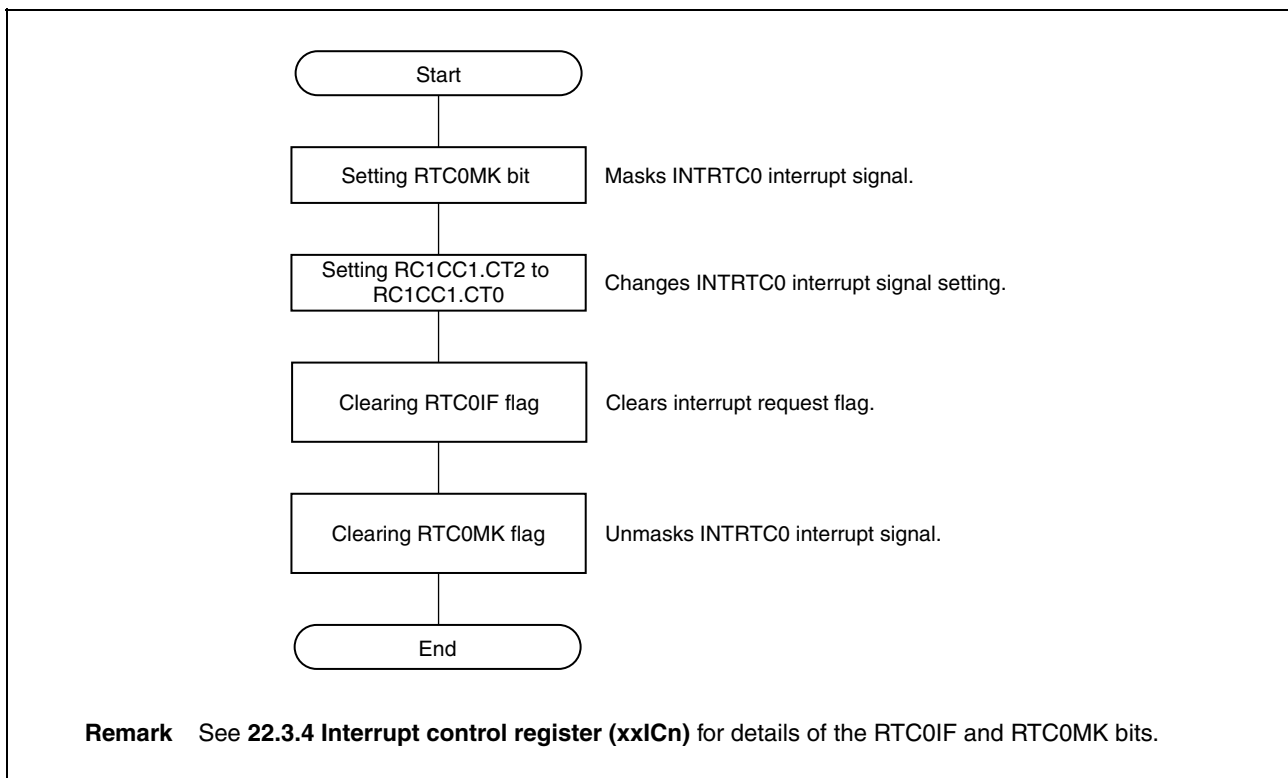
Figure 11-4. Reading Each Counter During Real-time Counter Operation



11.4.4 Changing INTRTC0 interrupt setting during real-time counter operation

If the setting of the INTRTC0 interrupt (fixed-cycle interrupt) signal is changed while the real-time counter clock operates (PC1PWR = 1, RTCE =1), the INTRTC0 interrupt waveform may include whiskers and unintended signals may be output. Set as follows when changing the setting of the INTRTC0 interrupt signal during real-time counter operation (RC1PWR = 1, RTCE = 1), in order to mask the whiskers.

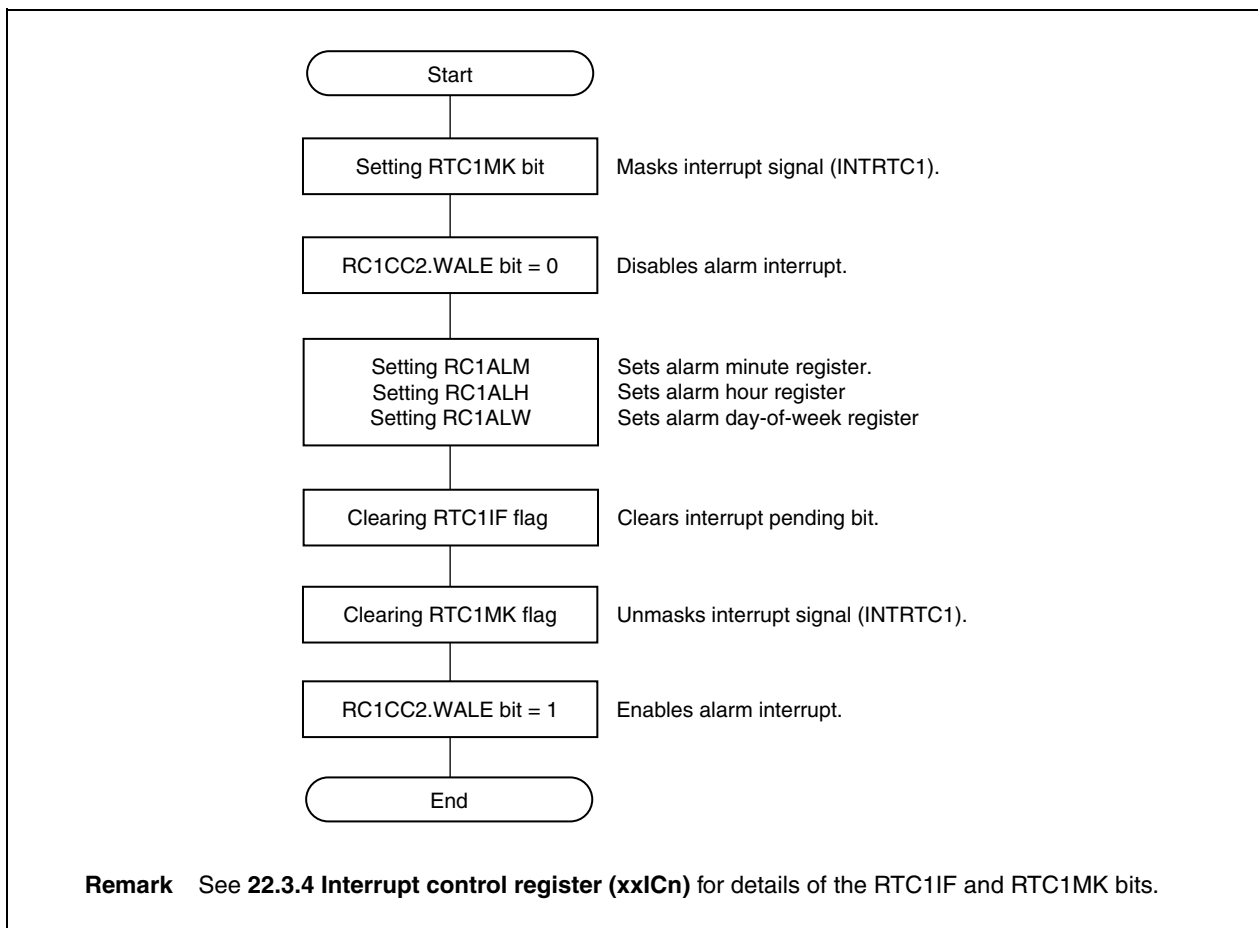
Figure 11-5. Changing INTRTC0 Interrupt Setting During Real-time Counter Operation



11.4.5 Changing INTRTC1 interrupt setting during real-time counter operation

If the setting of the INTRTC1 interrupt (alarm interrupt) signal is changed while the real-time counter operates (RC1PWR = 1, RTCE = 1), the INTRTC1 interrupt waveform may include whiskers and unintended signals may be output. Set as follows when changing the setting of the INTRTC1 interrupt signal during real-time counter operation (PC1PWR = 1, RTCE = 1), in order to mask the whiskers.

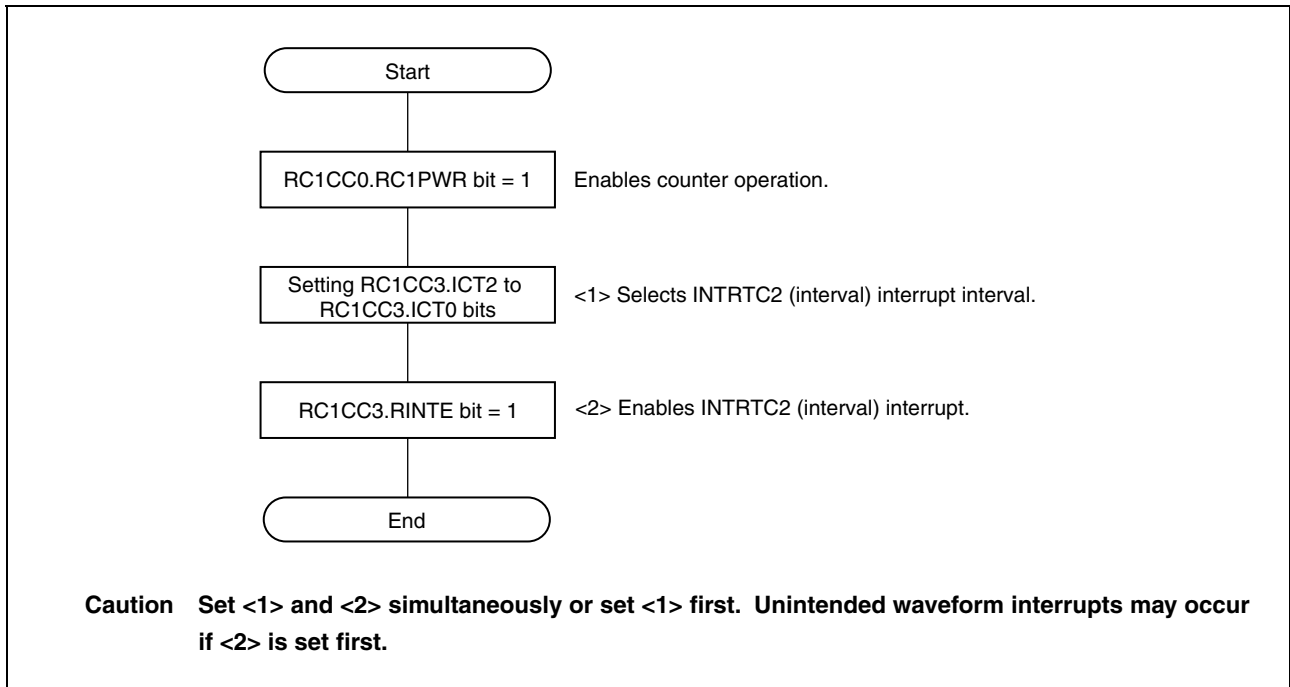
Figure 11-6. Changing INTRTC1 Interrupt Setting During Real-time Counter Operation



11.4.6 Initial INTRTC2 interrupt settings

Set as follows to set the INTRTC1 interrupt (interval interrupt).

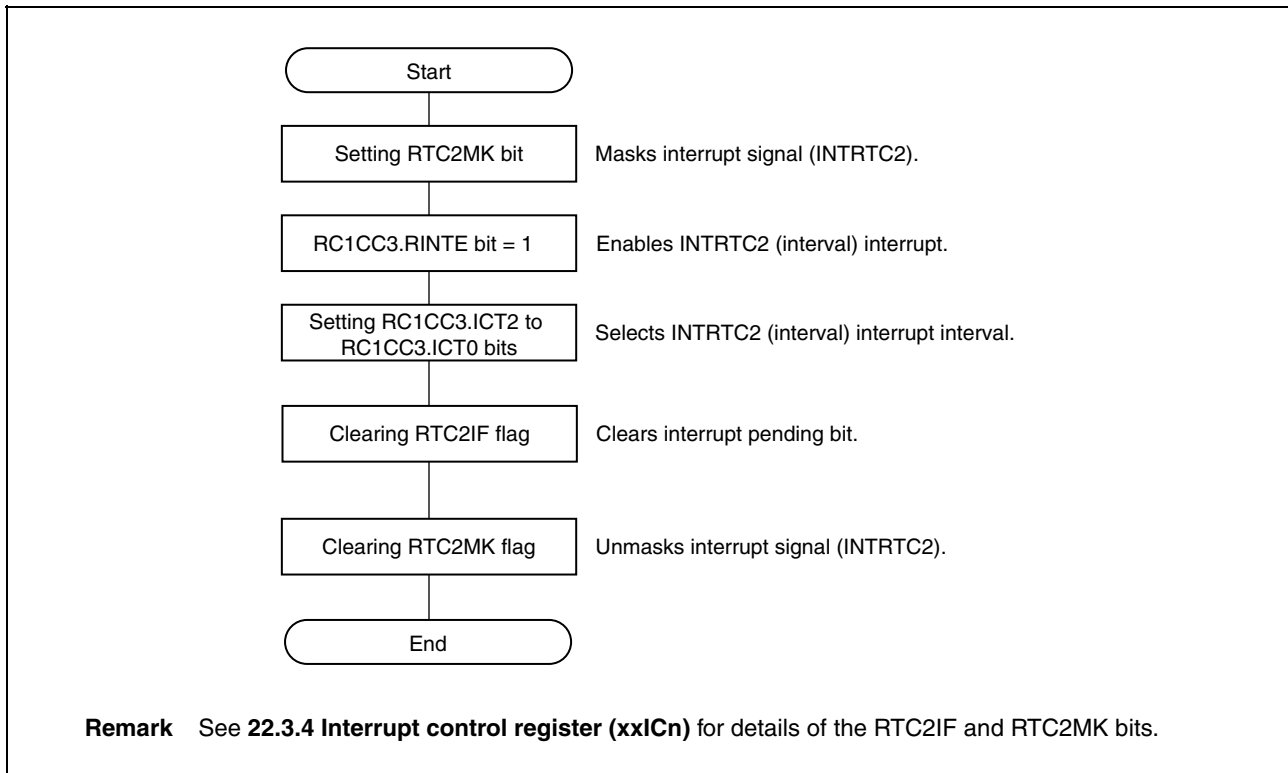
Figure 11-7. INTRTC2 Interrupt Setting



11.4.7 Changing INTRTC2 interrupt setting during real-time counter operation

If the setting of the INTRTC2 interrupt (interval interrupt) is changed while the real-time counter clock operates (PC1PWR = 1, RTCE = 1), the INTRTC2 interrupt waveform may include whiskers and unintended signals may be output. Set as follows when changing the setting of the INTRTC2 interrupt signal during real-time counter operation (PC1PWR = 1, RTCE = 1), in order to mask the whiskers.

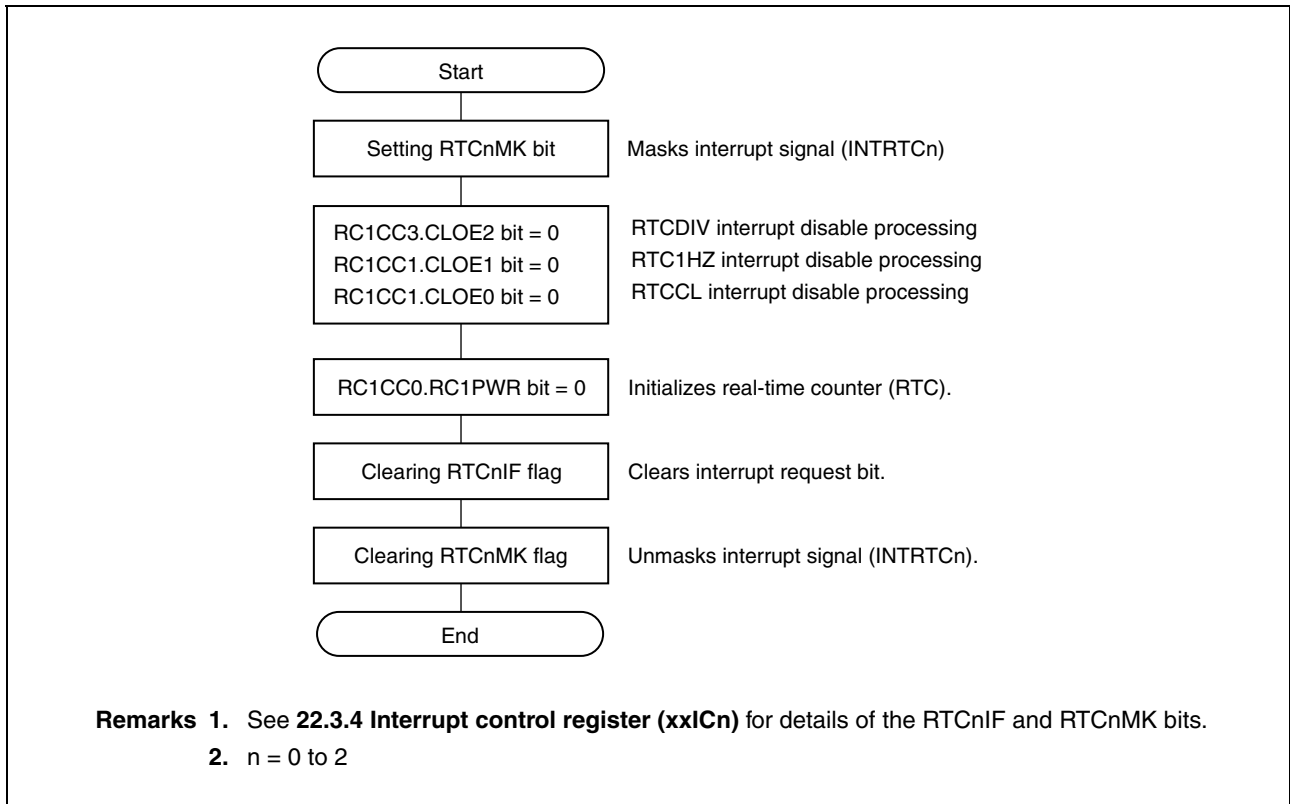
Figure 11-8. Changing INTRTC2 Interrupt Setting During real-time counter operation



11.4.8 Initializing real-time counter

The procedure for initializing the real-time counter is shown below.

Figure 11-9. Initializing Real-Time Counter



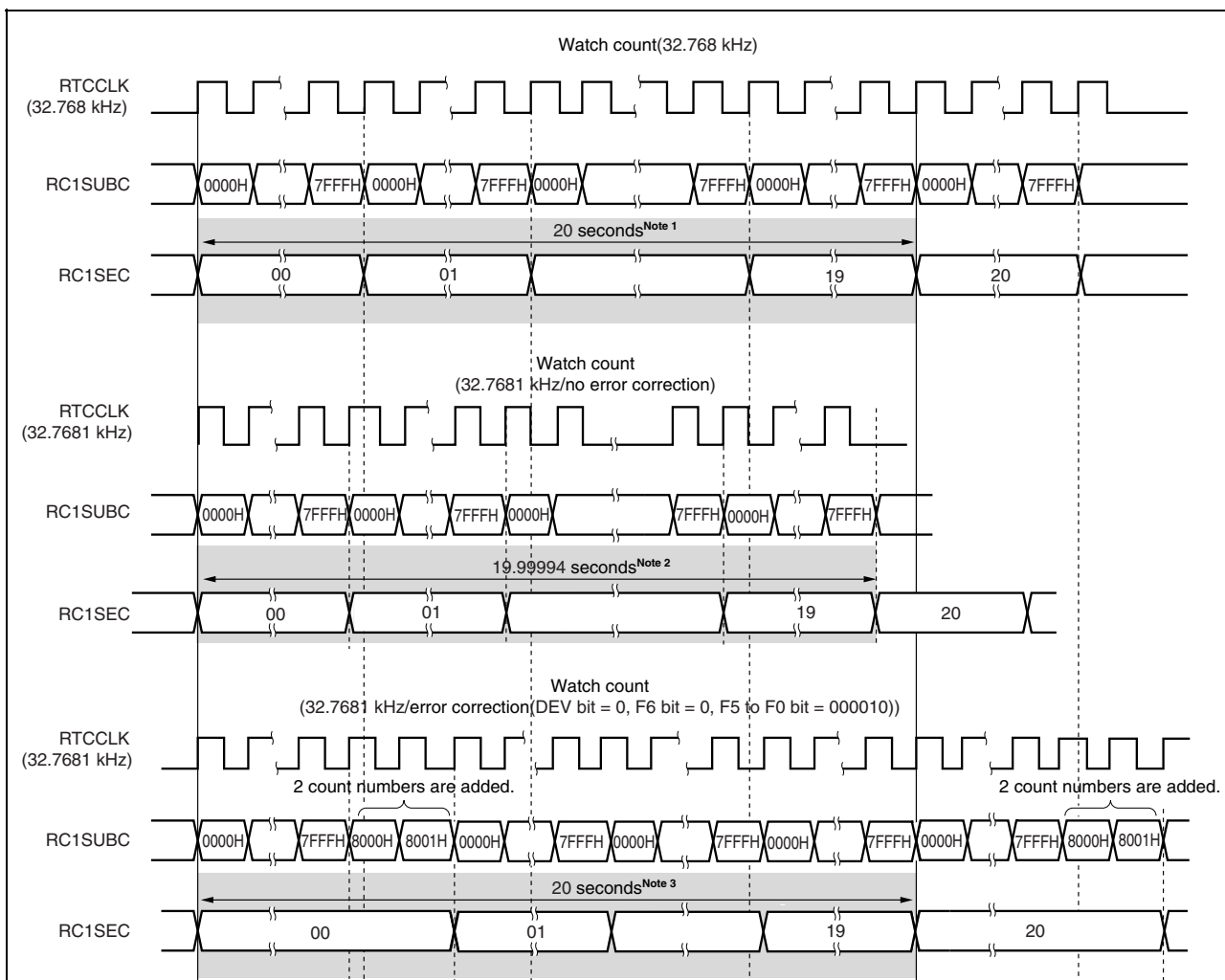
11.4.9 Watch error correction example of real-time counter

The watch error correction function corrects deviation in the oscillation frequency of a resonator connected to the V850ES/JG3-L.

Deviation, here, refers to steady-state deviation, which is deviation in the frequency when the resonator is designed.

Next, the timing chart when an error has occurred in the input clock intended to be 32.768 kHz but a 32.7681 kHz resonator has been connected when designing the system, and the RC1SUBC and RC1SEC count operations to correct the error are shown below.

Figure 11-10. Watch Error Correction Example



- Notes 1.** The RC1SEC counter counts 20 seconds every 32,768 cycles (0000H to 7FFFH) of the 32.768 kHz clock.
- 2.** When 32,768 cycles (0000H to 7FFFH) of the 32.7681 kHz clock are input, the time counted by the RC1SEC counter is calculated as follows: $32,768/3,268.1 \cong 0.999997$ seconds
 If this counting continues 20 times, the time is calculated as follows: $(32,768/32,768.1) \times 20 \cong 19.99994$ seconds, which causes an error of 0.00006 seconds.
- 3.** To precisely count 20 seconds by using a 32.7681 kHz clock, clear the DEV and F6 bits to 0 and set the F5 to F0 bits to 2H (000010B) in the RC1SUBU register. As a result, two additional cycles are counted every 20 seconds (when the RC1SEC counter count is 00, 20, and 40 seconds), so that the number of cycles counted at these points is not 32,768, but 32,770 (0000H to 8001H), which is exactly 20 seconds.

As shown in Figure 11-10, the watch can be accurately counted by incrementing the RC1SUBC count value, if a positive error faster than 32.768 kHz occurs at the resonator. Similarly, if a negative error slower than 32.768 kHz occurs at the resonator, the watch can be accurately counted by decrementing the RC1SUBC count value.

The RC1SUBC correction value is determined by using the RC1SUBU.F6 to RC1SUBU.F0 bits.

The F6 bit is used to determine whether to increment or decrement RC1SUBC and the F5 to F0 bits to determine the RC1SUBC value.

(1) Incrementing the RC1SUBC count value

The RC1SUBC count value is incremented by the value set using the F5 to F0 bits, by setting the F6 bit to 0.

Expression for calculating the increment value: $(F5 \text{ to } F0 \text{ bit value} - 1) \times 2$

[Example of incrementing the RC1SUBC count value: F6 bit = 0]

If 15H (010101B) is set to the F5 to F0 bits

$(15H - 1) \times 2 = 40$ (increments the RC1SUBC count value by 40)

RC1SUBC count value = $32,768 + 40 = 32,808$

(2) Decrementing the RC1SUBC count value

The RC1SUBC count value is decremented by an inverted value of the value set using the F5 to F0 bits, by setting the F6 bit to 1.

Expression for calculating the decrement value: $(\text{Inverted value of } F5 \text{ to } F0 \text{ bit value} + 1) \times 2$

[Example of decrementing the RC1SUBC count value: F6 bit = 1]

If 15H (010101B) is set to the F5 to F0 bits

Inverted data of 15H (010101B) = 2AH (101010B)

$(2AH + 1) \times 2 = 86$ (decrements the RC1SUBC count value by 86)

RC1SUBC count value = $32,768 - 86 = 32,682$

(3) DEV bit

The DEV bit determines when the setting by the F6 to F0 bits is enabled.

The value set by the F6 to F0 bits is reflected upon the next timing, but not to the RC1SUBC count value every time.

Table 11-6. DEV Bit Setting

DEV Bit Value	Timing of Reflecting Value to RC1SUBC
0	When RC1SEC is 00, 20, or 40 seconds.
1	When RC1SEC is 00 seconds.

[Example when 0010101B is set to F6 to F0 bits]

- If the DEV bit is 0
 - The RC1SUBC count value is 32,808 at 00, 20, or 40 seconds.
 - Otherwise, it is 32,768.
- IF DEV bit is 1
 - The RC1SUBC count value is 32,808 at 00 seconds.
 - Otherwise, it is 32,768.

As described above, the RC1SUBC count value is corrected every 20 seconds or 60 seconds, instead of every second, in order to match the RC1SUBC count value with the deviation width of the resonator.

The range in which the resonator frequency can be actually corrected is shown below.

- If the DEV bit is 0: 32.76180000 kHz to 32.77420000 kHz
- If the DEV bit is 1: 32.76593333 kHz to 32.77006667 kHz

The range in which the frequency can be corrected when the DEV bit is 0 is three times wider than when the DEV bit is 1.

However, the accuracy of setting the frequency when the DEV bit is 1 is three times that when the DEV bit is 0.

Tables 11-7 and 11-8 show the setting values of the DEV, and F6 to F0 bits, and the corresponding frequencies that can be corrected.

Table 11-7. Range of Frequencies That Can Be Corrected When DEV Bit = 0

F6	F5 to F0	RC1SUBC Correction Value	Frequency of Connected Clock (Including Steady-State Deviation)
0	000000	No correction	–
0	000001	No correction	–
0	000010	Increments RC1SUBC count value by 2 once every 20 seconds	32.76810000 kHz
0	000011	Increments RC1SUBC count value by 4 once every 20 seconds	32.76820000 kHz
0	000100	Increments RC1SUBC count value by 6 once every 20 seconds	32.76830000 kHz
⋮			
0	111011	Increments RC1SUBC count value by 120 once every 20 seconds	32.77400000 kHz
0	111110	Increments RC1SUBC count value by 122 once every 20 seconds	32.77410000 kHz
0	111111	Increments RC1SUBC count value by 124 once every 20 seconds	32.77420000 kHz (upper limit)
1	000000	No correction	–
1	000001	No correction	–
1	000010	Decrements RC1SUBC count value by 124 once every 20 seconds	32.76180000 kHz (lower limit)
1	000011	Decrements RC1SUBC count value by 122 once every 20 seconds	32.76190000 kHz
1	000100	Decrements RC1SUBC count value by 120 once every 20 seconds	32.76200000 kHz
⋮			
1	11011	Decrements RC1SUBC count value by 6 once every 20 seconds	32.76770000 kHz
1	11110	Decrements RC1SUBC count value by 4 once every 20 seconds	32.76780000 kHz
1	11111	Decrements RC1SUBC count value by 2 once every 20 seconds	32.76790000 kHz

Table 11-8. Range of Frequencies That Can Be Corrected When DEV Bit = 1

F6	F5 to F0	RC1SUBC Correction Value	Frequency of Connected Clock (Including Steady-State Deviation)
0	000000	No correction	–
0	000001	No correction	–
0	000010	Increments RC1SUBC count value by 2 once every 60 seconds	32.76803333 kHz
0	000011	Increments RC1SUBC count value by 4 once every 60 seconds	32.76806667 kHz
0	000100	Increments RC1SUBC count value by 6 once every 60 seconds	32.76810000 kHz
⋮			
0	111011	Increments RC1SUBC count value by 120 once every 60 seconds	32.77000000 kHz
0	111110	Increments RC1SUBC count value by 122 once every 60 seconds	32.77003333 kHz
0	111111	Increments RC1SUBC count value by 124 once every 60 seconds	32.77006667 kHz (upper limit)
1	000000	No correction	–
1	000001	No correction	–
1	000010	Decrements RC1SUBC count value by 124 once every 60 seconds	32.76593333 kHz (lower limit)
1	000011	Decrements RC1SUBC count value by 122 once every 60 seconds	32.76596667 kHz
1	000100	Decrements RC1SUBC count value by 120 once every 60 seconds	32.76600000 kHz
⋮			
1	11011	Decrements RC1SUBC count value by 6 once every 60 seconds	32.76790000 kHz
1	11110	Decrements RC1SUBC count value by 4 once every 60 seconds	32.76793333 kHz
1	11111	Decrements RC1SUBC count value by 2 once every 60 seconds	32.76796667 kHz

CHAPTER 12 WATCHDOG TIMER 2

12.1 Functions

Watchdog timer 2 is the default-start watchdog timer and starts up automatically immediately after a reset ends. Watchdog timer 2 starts up in reset mode and with the overflow time set to internal oscillator clock = $2^{19}/f_R$. When watchdog timer 2 overflows, it generates the WDT2RES signal to trigger a reset.

Watchdog timer 2 has the following features:

- It is the default-start watchdog timer^{Note 1}.
- It triggers the following operations when it overflows:
 - Reset mode: Watchdog timer 2 triggers a reset when it overflows (by generating the WDT2RES signal).
 - Non-maskable interrupt request mode: Watchdog timer 2 triggers NMI servicing when it overflows (by generating the INTWDT2 signal)^{Note 2}.
- Either the main clock, internal oscillator clock, or subclock can be input as the source clock.

Notes 1. Watchdog timer 2 automatically starts in the reset mode following reset release.

When not using watchdog timer 2, either stop it operating before it triggers a reset, or clear it once and stop it before the next overflow.

Also, write to the WDTM2 register for verification purposes only once, even if the default settings (reset mode, loop detection time interval: $2^{19}/f_R$) do not need to be changed.

2. For details of the non-maskable interrupt servicing that occurs due to the generation of the non-maskable interrupt request signal (INTWDT2), see **22.2.2 (2) From INTWDT2 signal**.

12.2 Configuration

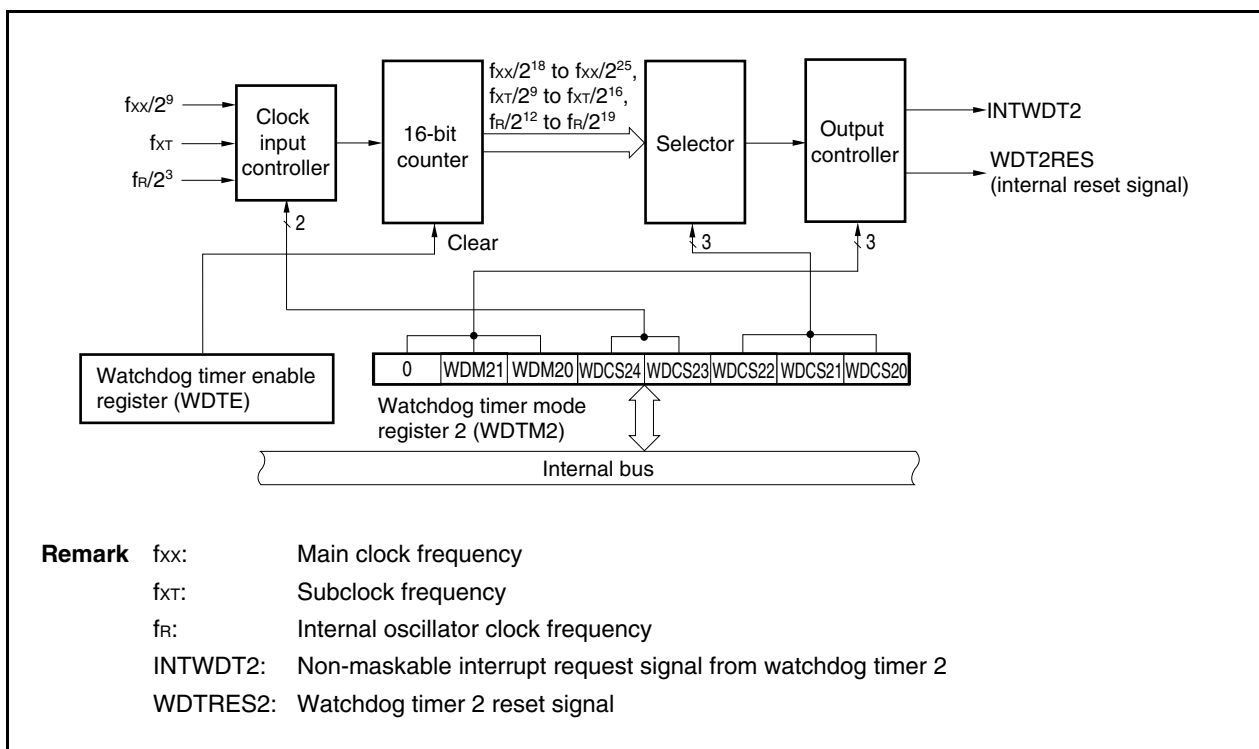
Watchdog timer 2 includes the following hardware.

Table 12-1. Configuration of Watchdog Timer 2

Item	Configuration
Control registers	Watchdog timer mode register 2 (WDTM2) Watchdog timer enable register (WDTE)

The following shows the block diagram of watchdog timer 2.

Figure 12-1. Block Diagram of Watchdog Timer 2



12.3 Registers

(1) Watchdog timer mode register 2 (WDTM2)

The WDTM2 register sets the overflow time and operation clock of watchdog timer 2.

This register can be read or written in 8-bit units. This register can be read any number of times, but it can be written only once following reset release.

Reset sets this register to 67H.

Caution Accessing the WDTM2 register is prohibited in the following statuses. Moreover, if the system is in the wait status, the only way to cancel the wait status is to execute a reset. For details, see 3.4.9 (1) Accessing special on-chip peripheral I/O registers.

- When the CPU operates on the subclock and main clock oscillation is stopped
- When the CPU operates on the internal oscillator clock

After reset: 67H R/W Address: FFFFF6D0H

	7	6	5	4	3	2	1	0
WDTM2	0	WDM21 ^{Note}	WDM20 ^{Note}	WDCS24 ^{Note}	WDCS23 ^{Note}	WDCS22	WDCS21	WDCS20

WDM21	WDM20	Selection of operation mode of watchdog timer 2
0	0	Stops operation
0	1	Non-maskable interrupt request mode (generation of INTWDT2 signal)
1	-	Reset mode (generation of WDT2RES signal)

Note When the option byte function is used, if the WDTMD1 bit is set (to 1), the WDM21 and WDM20 bits are fixed to 1 (which specifies the reset mode), and the WDCS24 and WDCS23 bits are fixed to 0 (which specifies the internal oscillator clock (f_R) as the operation clock). For detail, refer to **CHAPTER 30 OPTION BYTE**.

- Cautions**
1. For details of the WDCS20 to WDCS24 bits, see Table 12-2 Loop Detection Time Interval of Watchdog Timer 2.
 2. If the WDTM2 register is rewritten twice after a reset, an overflow signal is forcibly generated and the counter is reset.
 3. To intentionally generate an overflow signal, write data to the WDTM2 register twice, or write a value other than “ACH” to the WDTE register once.
However, when watchdog timer 2 is set to “stop operation”, an overflow signal is not generated even if data is written to the WDTM2 register twice, or a value other than “ACH” is written to the WDTE register once.
 4. To stop the operation of watchdog timer 2, set the RCM.RSTOP bit to 1 (to stop the internal oscillator) and write 00H in the WDTM2 register. If the RCM.RSTOP bit cannot be set to 1, set the WDCS23 bit to 1 ($2^n/f_{xx}$ is selected and the clock can be stopped in the IDLE1, IDLE2, sub-IDLE, and subclock operation modes).

Table 12-2. Loop Detection Time Interval of Watchdog Timer 2

	WDCS24	WDCS23	WDCS22	WDCS21	WDCS20	Selected Clock	100 kHz (MIN.)	220 kHz (TYP.)	400 kHz (MAX.)
Internal oscillator clock	0	0	0	0	0	$2^{12}/f_R$	41.0 ms	18.6 ms	10.2 ms
	0	0	0	0	1	$2^{13}/f_R$	81.9 ms	37.2 ms	20.5 ms
	0	0	0	1	0	$2^{14}/f_R$	163.8 ms	74.5 ms	41.0 ms
	0	0	0	1	1	$2^{15}/f_R$	327.7 ms	148.9 ms	81.9 ms
	0	0	1	0	0	$2^{16}/f_R$	655.4 ms	297.9 ms	163.8 ms
	0	0	1	0	1	$2^{17}/f_R$	1310.7 ms	595.8 ms	327.7 ms
	0	0	1	1	0	$2^{18}/f_R$	2621.4 ms	1191.6 ms	655.4 ms
	0	0	1	1	1	$2^{19}/f_R$	5242.9 ms	2383.1 ms	1310.7 ms
Main clock							$f_{XX} = 20 \text{ MHz}$	$f_{XX} = 16 \text{ MHz}$	$f_{XX} = 10 \text{ MHz}$
	0	1	0	0	0	$2^{18}/f_{XX}$	13.1 ms	16.4 ms	26.2 ms
	0	1	0	0	1	$2^{19}/f_{XX}$	26.2 ms	32.8 ms	52.4 ms
	0	1	0	1	0	$2^{20}/f_{XX}$	52.4 ms	65.5 ms	104.9 ms
	0	1	0	1	1	$2^{21}/f_{XX}$	104.9 ms	131.1 ms	209.7 ms
	0	1	1	0	0	$2^{22}/f_{XX}$	209.7 ms	262.1 ms	419.4 ms
	0	1	1	0	1	$2^{23}/f_{XX}$	419.4 ms	524.3 ms	838.9 ms
	0	1	1	1	0	$2^{24}/f_{XX}$	838.9 ms	1048.6 ms	1677.7 ms
Subclock							$f_{XT} = 32.768 \text{ kHz}$		
	1	×	0	0	0	$2^9/f_{XT}$	15.625 ms		
	1	×	0	0	1	$2^{10}/f_{XT}$	31.25 ms		
	1	×	0	1	0	$2^{11}/f_{XT}$	62.5 ms		
	1	×	0	1	1	$2^{12}/f_{XT}$	125 ms		
	1	×	1	0	0	$2^{13}/f_{XT}$	250 ms		
	1	×	1	0	1	$2^{14}/f_{XT}$	500 ms		
	1	×	1	1	0	$2^{15}/f_{XT}$	1000 ms		
1	×	1	1	1	$2^{16}/f_{XT}$	2000 ms			

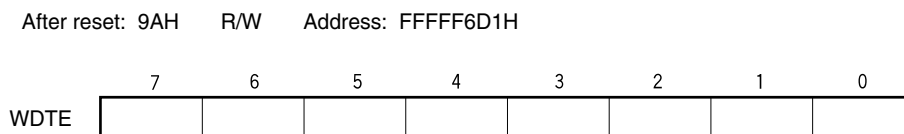
Remark × = Either 0 or 1

(2) Watchdog timer enable register (WDTE)

The counter of watchdog timer 2 is cleared and counting is restarted by writing “ACH” to the WDTE register.

The WDTE register can be read or written in 8-bit units. (When a 1-bit memory manipulation instruction is executed on the WDTE register, an overflow signal is forcibly generated.)

Reset sets this register to 9AH.



- Cautions**
1. When a value other than “ACH” is written to the WDTE register, an overflow signal is forcibly output.
 2. To intentionally generate an overflow signal, write a value other than “ACH” to the WDTE register once, or write data to the WDTM2 register twice.
However, when watchdog timer 2 is set to “stop operation”, an overflow signal is not generated even if a value other than “ACH” is written to the WDTE register once, or data is written to the WDTM2 register twice.
 3. The read value of the WDTE register is “9AH” (which differs from the written value “ACH”).

12.4 Operation

Watchdog timer 2 automatically starts in the reset mode immediately after a reset.

The WDTM2 register can be written to only once immediately after a reset using byte access. To use watchdog timer 2, write the operation mode setting and the loop detection time interval to the WDTM2 register using an 8-bit memory manipulation instruction. After this, the operation of watchdog timer 2 cannot be stopped.

The WDSC24 to WDSC20 bits of the WDTM2 register are used to select the watchdog timer 2 loop detection time interval.

Writing ACH to the WDTE register clears the counter of watchdog timer 2 and starts the count operation again. After the count operation has started, write ACH to WDTE within the loop detection time interval.

If the loop detection time interval expires without ACH being written to the WDTE register, a reset signal (WDT2RES) or a non-maskable interrupt request signal (INTWDT2) is generated, depending on the values of the WDTM2.WDM21 and WDTM2.WDM20 bits.

When the WDTM2.WDM21 bit is set to 1 (reset mode), if watchdog timer 2 overflows during oscillation stabilization immediately after a reset ends or after a standby is released, no internal reset will occur and the CPU clock will switch to the internal oscillator clock.

To not use watchdog timer 2, write 00H to the WDTM2 register.

For details of the non-maskable interrupt servicing that occurs when the non-maskable interrupt request mode is set, see **22.2.2 (2) From INTWDT2 signal**.

CHAPTER 13 REAL-TIME OUTPUT FUNCTION (RTO)

13.1 Function

The real-time output function transfers preset data to the real-time output buffer registers (RTBL0 and RTBH0), and then transfers this data by hardware to an external device via the output latches, upon occurrence of a timer interrupt. The pins through which the data is output to an external device constitute a port called the real-time output function (RTO).

Because RTO can output signals without jitter, it is suitable for controlling a stepper motor.

In the V850ES/JG3-L, one 6-bit real-time output port channel is provided.

The real-time output port can be set to the port mode or real-time output port mode in 1-bit units.

13.2 Configuration

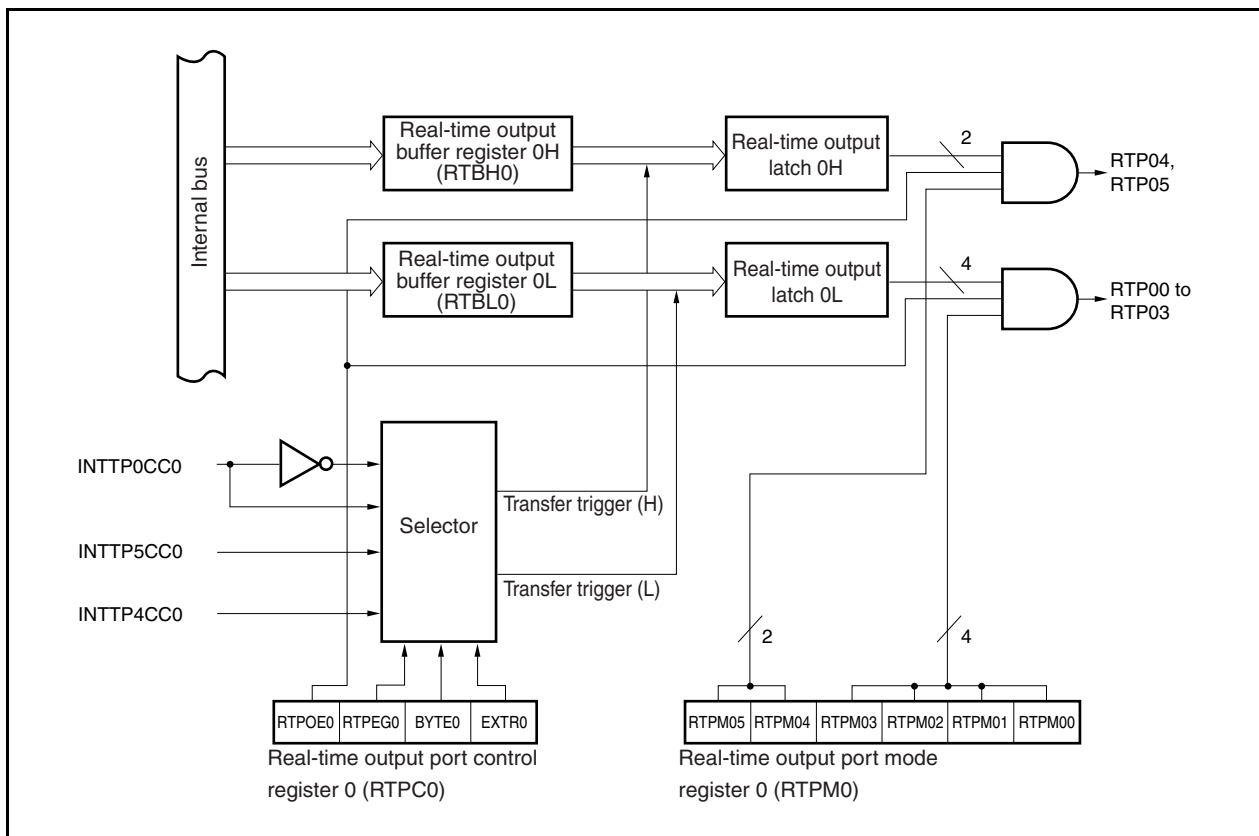
RTO includes the following hardware.

Table 13-1. Configuration of RTO

Item	Configuration
Registers	Real-time output buffer registers 0L, 0H (RTBL0, RTBH0) Real-time output latches 0H, 0L Real-time output port mode register 0 (RTPM0) Real-time output port control register 0 (RTPC0)

The block diagram of RTO is shown below.

Figure 13-1. Block Diagram of RTO



(1) Real-time output buffer registers 0L, 0H (RTBL0, RTBH0)

The RTBL0 and RTBH0 registers are 4-bit registers that hold preset output data.

These registers are mapped to different addresses in the peripheral I/O register area.

These registers can be read or written in 8-bit or 1-bit units.

Reset sets these registers to 00H.

If an operation mode of 4 bits × 1 channel or 2 bits × 1 channel is specified (RTPC0.BYTE0 bit = 0), data can be individually set to the RTBL0 and RTBH0 registers. The data of both these registers can be read at once by specifying the address of either of these registers.

If an operation mode of 6 bits × 1 channel is specified (BYTE0 bit = 1), 8-bit data can be set to both the RTBL0 and RTBH0 registers by writing the data to either of these registers. Moreover, the data of both these registers can be read at once by specifying the address of either of these registers.

Table 13-2 shows the operation when the RTBL0 and RTBH0 registers are manipulated.

After reset: 00H R/W Address: RTBL0 FFFFF6E0H, RTBH0 FFFFF6E2H

RTBL0	7	6	5	4	3	2	1	0
RTBH0	0	0	RTBH05	RTBH04				

Cautions

1. When writing to bits 6 and 7 of the RTBH0 register, always set 0.
2. If the RTBL0 and RTBH0 registers are accessed in the following statuses, a wait will occur. Once the system enters the wait status, the only way to cancel the wait status is to execute a reset. For details, see 3.4.9 (1) Accessing special on-chip peripheral I/O registers.
 - When the CPU operates with the subclock and the main clock oscillation is stopped
 - When the CPU operates with the internal oscillator clock

Table 13-2. Operation During Manipulation of RTBL0 and RTBH0 Registers

Operation Mode	Register to Be Manipulated	Read		Write ^{Note}	
		Higher 4 Bits	Lower 4 Bits	Higher 4 Bits	Lower 4 Bits
4 bits × 1 channel, 2 bits × 1 channel	RTBL0	RTBH0	RTBL0	Invalid	RTBL0
	RTBH0	RTBH0	RTBL0	RTBH0	Invalid
6 bits × 1 channel	RTBL0	RTBH0	RTBL0	RTBH0	RTBL0
	RTBH0	RTBH0	RTBL0	RTBH0	RTBL0

Note After setting the real-time output port, output data must be set to the RTBL0 and RTBH0 registers before a real-time output trigger is generated.

13.3 Registers

RTO is controlled using the following two registers.

- Real-time output port mode register 0 (RTPM0)
- Real-time output port control register 0 (RTPC0)

Caution In order to use the real-time output pins (RTP00 to RTP05), set these pins as real-time output port pins using the PMC and PFC registers.

(1) Real-time output port mode register 0 (RTPM0)

The RTPM0 register enables the selection of real-time output port mode or port mode in 1-bit units.

This register can be read or written in 8-bit or 1-bit units.

Reset sets this register to 00H.

After reset: 00H		R/W	Address: FFFFF6E4H					
	7	6	5	4	3	2	1	0
RTPM0	0	0	RTPM05	RTPM04	RTPM03	RTPM02	RTPM01	RTPM00
RTPM0m	Control of real-time output port (m = 0 to 5)							
0	Real-time output disabled							
1	Real-time output enabled							

Cautions

1. By enabling the real-time output operation (RTPC0.RTPOE0 bit = 1), the bits enabled to real-time output among the RTP00 to RTP05 signals perform real-time output, and the bits set to port mode output 0.
2. If real-time output is disabled (RTPOE0 bit = 0), the real-time output pins (RTP00 to RTP05) all output 0, regardless of the RTPM0 register setting.
3. When writing to bits 6 and 7 of the RTPM0 register, always set 0.

(2) Real-time output port control register 0 (RTPC0)

The RTPC0 register is a register that sets the operation mode and output trigger of the real-time output port. The relationship between the operation mode and output trigger of the real-time output port is as shown in Table 13-3.

This register can be read or written in 8-bit or 1-bit units.

Reset sets this register to 00H.

After reset: 00H R/W Address: FFFFF6E5H

<7>	6	5	4	3	2	1	0
RTPC0	RTPOE0	RTPEG0	BYTE0	EXTR0	0	0	0

RTPOE0	Control of real-time output operation
0	Disables operation ^{Note 1}
1	Enables operation

RTPEG0	Valid edge of INTTP0CC0 signal
0	Falling edge ^{Note 2}
1	Rising edge

BYTE0	Specification of channel configuration for real-time output
0	4 bits × 1 channel, 2 bits × 1 channel
1	6 bits × 1 channel

Notes

1. When real-time output operation is disabled (RTPOE0 bit = 0), all the bits of the real-time output pins (RTP00 to RTP05) output “0”.
2. With this setting, the transfer of data between the buffer and the latch will be delayed by one clock cycle.

Caution Set the RTPEG0, BYTE0, and EXTR0 bits only when RTPOE0 bit = 0.

Table 13-3. Operation Modes and Output Triggers of Real-Time Output Port

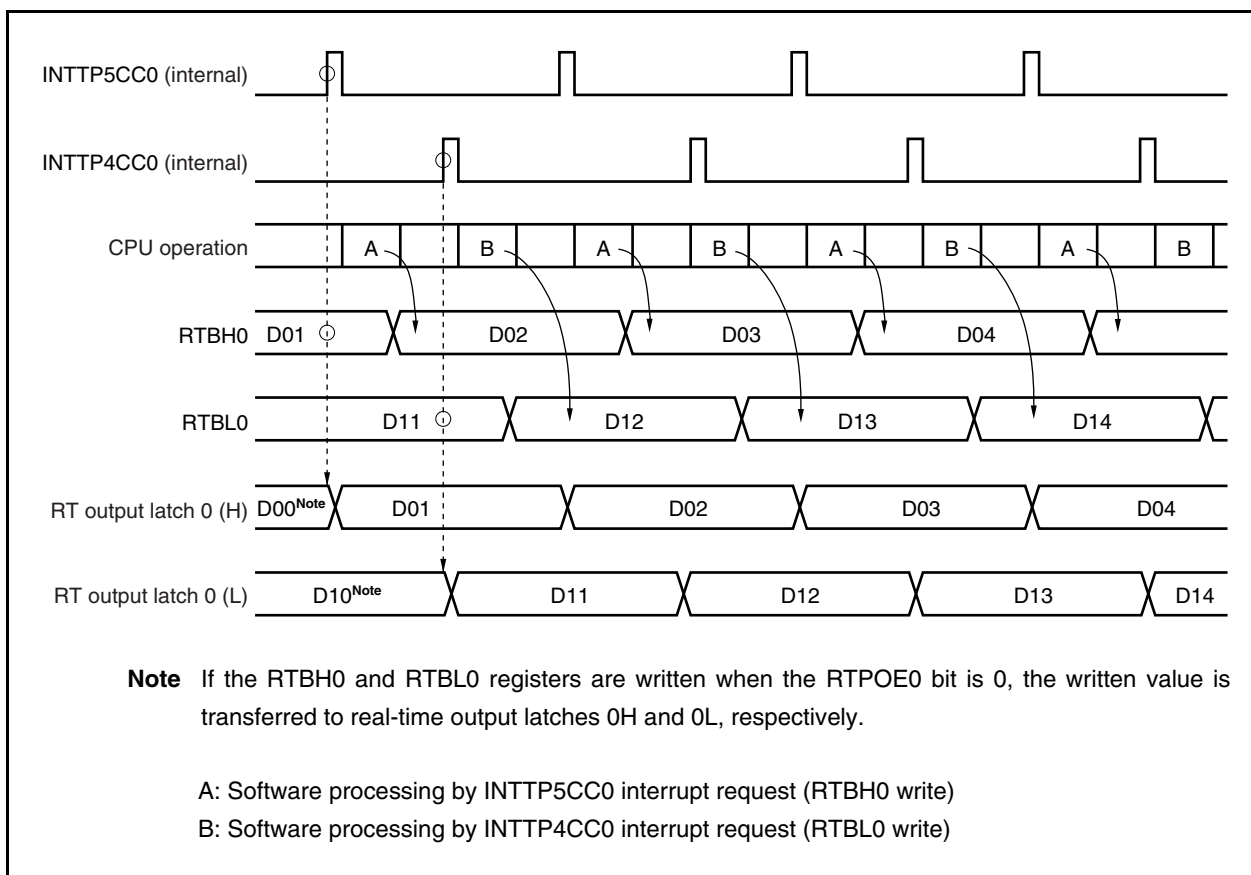
BYTE0	EXTR0	Operation Mode	RTBH0 (RTP04, RTP05)	RTBL0 (RTP00 to RTP03)
0	0	4 bits × 1 channel,	INTTP5CC0	INTTP4CC0
	1	2 bits × 1 channel	INTTP4CC0	INTTP0CC0
1	0	6 bits × 1 channel	INTTP4CC0	
	1		INTTP0CC0	

13.4 Operation

If the real-time output operation is enabled by setting the RTPC0.RTPOE0 bit to 1, the data of the RTBH0 and RTBL0 registers is transferred to the real-time output latch in synchronization with the generation of the selected transfer trigger (set by the RTPC0.EXTR0 and RTPC0.BYTE0 bits). Of the transferred data, only the data of the bits for which real-time output is enabled by the RTPM0 register is output from the RTP00 to RTP05 bits. The bits for which real-time output is disabled by the RTPM0 register output 0.

If the real-time output operation is disabled by clearing the RTPOE0 bit to 0, the RTP00 to RTP05 pins output 0 regardless of the setting of the RTPM0 register.

Figure 13-2. Example of Operation Timing of RTO0 (When EXTR0 Bit = 0, BYTE0 Bit = 0)



Remark For the operation during standby, see **CHAPTER 24 STANDBY FUNCTION**.

13.5 Usage

- (1) Disable real-time output.
Clear the RTPC0.RTPOE0 bit to 0.
- (2) Perform initialization as follows.
 - Set the alternate-function pins of port 5
Set the PFC5.PFC5m bit and PFCE5.PFCE5m bit to 1, and then set the PMC5.PMC5m bit to 1 (m = 0 to 5).
 - Specify the real-time output port mode or port mode in 1-bit units.
Set the RTPM0 register.
 - Channel configuration: Select the trigger and valid edge.
Set the RTPC0.EXTR0, RTPC0.BYTE0, and RTPC0.RTPEG0 bits.
 - Set the initial values to the RTBH0 and RTBL0 registers^{Note 1}.
- (3) Enable real-time output.
Set the RTPOE0 bit = 1.
- (4) Set the next output value to the RTBH0 and RTBL0 registers by the time the selected transfer trigger is generated^{Note 2}.
- (5) Set the next real-time output value to the RTBH0 and RTBL0 registers via interrupt servicing corresponding to the selected trigger.

- Notes**
1. If the RTBH0 and RTBL0 registers are written when the RTPOE0 bit is 0, the written value is transferred to real-time output latches 0H and 0L, respectively.
 2. Even if the RTBH0 and RTBL0 registers are written when the RTPOE0 bit = 1, data is not transferred to real-time output latches 0H and 0L.

Caution To apply the above settings to the real-time output pins (RTP00 to RTP05), set the real-time output pins by using the PMC5 and PFC5 registers.

13.6 Cautions

- (1) Prevent the following conflicts by using software, such as by writing to the RTBL0, RTBH0, and RTPC0 registers inside the interrupt servicing routine of the selected real-time output trigger.
 - Conflict between real-time output disable/enable switching (RTPOE0 bit) and selected real-time output trigger.
 - Conflict between writing to the RTBH0 and RTBL0 registers in the real-time output enabled status and the selected real-time output trigger.
- (2) Before performing initialization, disable real-time output (RTPOE0 bit = 0).
- (3) Once real-time output has been disabled (RTPOE0 bit = 0), be sure to initialize the RTBH0 and RTBL0 registers before enabling real-time output again (RTPOE0 bit = 0 → 1).

CHAPTER 14 A/D CONVERTER

14.1 Overview

The A/D converter converts analog input signals into digital values, has a resolution of 10 bits, and can handle 12 analog input signal channels (ANI0 to ANI11).

The A/D converter has the following features.

- 10-bit resolution
- 12 channels
- Successive approximation method
- Operating voltage: $AV_{REF0} = 2.7$ to 3.6 V
- Analog input voltage: 0 V to AV_{REF0}
- The following functions are provided as operation modes.
 - Continuous select mode
 - Continuous scan mode
 - One-shot select mode
 - One-shot scan mode
- The following functions are provided as trigger modes.
 - Software trigger mode
 - External trigger mode (external, 1)
 - Timer trigger mode
- Conversion time
 - 2.6 to 24 μ s @ 3.0 V $\leq AV_{REF0} \leq 3.6$ V
 - 3.9 to 24 μ s @ 2.7 V $\leq AV_{REF0} < 3.0$ V
- Power-fail monitor function (conversion result compare function)

14.2 Functions

(1) 10-bit resolution A/D conversion

A/D conversion is repeated at a resolution of 10 bits for an analog signal that is input to a channel selected from ANI0 to ANI11. Each time A/D conversion is completed, an interrupt request signal (INTAD) is generated.

(2) Power-fail detection

This function is used to detect a drop in the battery voltage. The result of A/D conversion (the value of the ADA0CRnH register) is compared with the value of the ADA0PFT register, and the INTAD signal is generated only when the comparison condition specified by the ADA0PFM register is satisfied ($n = 0$ to 11).

14.3 Configuration

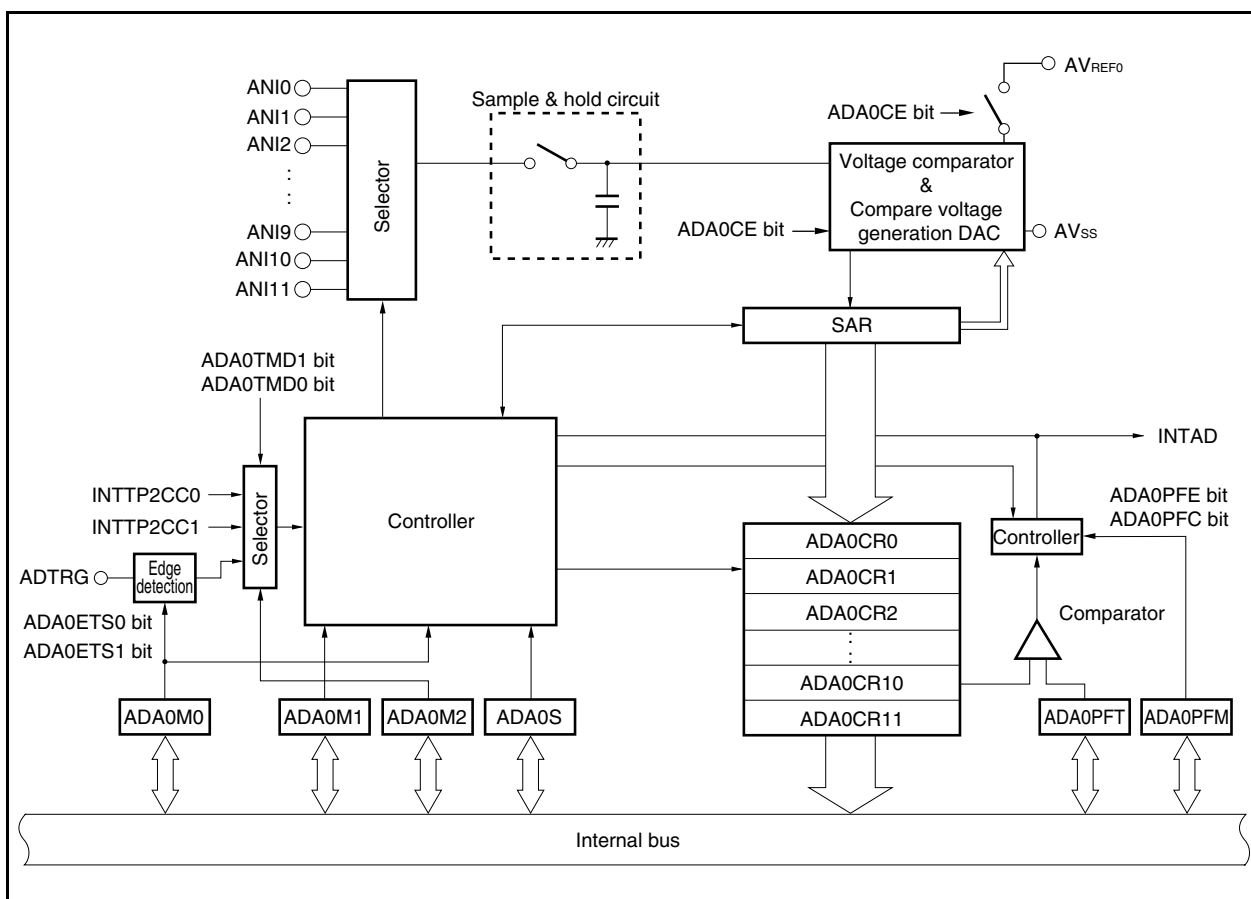
The A/D converter includes the following hardware.

Table 14-1. Configuration of A/D Converter

Item	Configuration
Analog inputs	12 channels (ANI0 to ANI11 pins)
Registers	Successive approximation register (SAR) A/D conversion result registers 0 to 11 (ADA0CR0 to ADA0CR11) A/D conversion result registers 0H to 11H (ADCR0H to ADCR11H): Only higher 8 bits can be read A/D converter mode registers 0 to 2 (ADA0M0 to ADA0M2) A/D converter channel specification register 0 (ADA0S) Power fail compare mode register (ADA0PFM) Power fail compare threshold value register (ADA0PFT)

The block diagram of the A/D converter is shown below.

Figure 14-1. Block Diagram of A/D Converter



(1) ANI0 to ANI11 pins

These are analog input pins for the 12 A/D converter channels and are used to input analog signals to be converted into digital signals. Pins other than the ones selected as analog input pins by the ADA0S register can be used as I/O port pins.

Caution Make sure that the voltages input to the ANI0 to ANI11 pins do not exceed the rated values. In particular if a voltage of AV_{REF0} or higher is input to a channel, the conversion value of that channel becomes undefined, and the conversion values of the other channels may also be affected.

(2) Sample & hold circuit

The sample & hold circuit samples each of the analog input signals selected by the input circuit and sends the sampled data to the voltage comparator. This circuit also holds the sampled analog input signal voltage during A/D conversion.

(3) Compare voltage generation DAC

The compare voltage generation DAC is connected between AV_{REF0} and AV_{SS} and generates the voltage to be compared with the value that was sampled and held by the sample & hold circuit.

(4) Voltage comparator

The voltage comparator compares the voltage value that was sampled and held with the output voltage of the compare voltage generation DAC.

(5) Successive approximation register (SAR)

This register compares the voltage of the sampled analog input signal with the output voltage of the compare voltage generation DAC (compare voltage), and sequentially retains the comparison result bit by bit starting from the most significant bit (MSB).

When the comparison result has been held down to the least significant bit (LSB) (that is, when A/D conversion is complete), the contents of the SAR register are transferred to the ADA0CRn register.

Remark n = 0 to 11

(6) 10-bit AD conversion result register n (ADA0CRn)

The ADA0CRn register is a 16-bit register that stores the A/D conversion result. ADA0ARn consist of 12 registers and the A/D conversion result is stored in the 10 higher bits of the ADA0CRn register corresponding to analog input. (The lower 6 bits are fixed to 0.)

(7) A/D conversion result register nH (ADA0CRnH)

This is a 8-bit register that stores the A/D conversion result. ADA0CRnH consists of 12 registers and the A/D conversion result is stored in the higher 8 bits of the ADA0CRnH register corresponding to the analog input signal.

(8) A/D converter mode register 0 (ADA0M0)

This register specifies the operation mode and controls conversion by the A/D converter.

(9) A/D converter mode register 1 (ADA0M1)

This register specifies the time required to convert an analog input signal to a digital signal.

(10) A/D converter mode register 2 (ADA0M2)

This register specifies the hardware trigger mode.

(11) A/D converter channel specification register (ADA0S)

This register specifies the pin to which the analog voltage to be converted is input.

(12) Power-fail compare mode register (ADA0PFM)

This register controls power-fail monitoring.

(13) Power-fail compare threshold value register (ADA0PFT)

The ADA0PFT register sets the threshold value that is compared with the value of A/D conversion result register nH (ADA0CRnH). The 8-bit data set to the ADA0PFT register is compared with the higher 8 bits of the A/D conversion result register (ADA0CRnH).

(14) Controller

The controller compares the result of A/D conversion (the value of the ADA0CRnH register) with the value of the ADA0PFT register when A/D conversion is completed or when the power-fail detection function is used, and generates the INTAD signal only when the specified comparison condition is satisfied.

(15) AVREF0 pin

This is the pin used to input the reference voltage of the A/D converter. Always make the potential of this pin the same as that of the VDD pin even when the A/D converter is not used. The signals input to the ANI0 to ANI11 pins are converted to digital signals based on the voltage applied between the AVREF0 and AVSS pins.

(16) AVSS pin

This is the ground pin of the A/D converter. Always make the potential of this pin the same as that of the VSS pin even when the A/D converter is not used.

14.4 Registers

The A/D converter is controlled by the following registers.

- A/D converter mode registers 0, 1, 2 (ADA0M0, ADA0M1, ADA0M2)
- A/D converter channel specification register 0 (ADA0S)
- Power-fail compare mode register (ADA0PFM)

The following registers are also used.

- A/D conversion result register n (ADA0CRn)
- A/D conversion result register nH (ADA0CRnH)
- Power-fail compare threshold value register (ADA0PFT)

(1) A/D converter mode register 0 (ADA0M0)

The ADA0M0 register is an 8-bit register that specifies the operation mode and controls conversion. This register can be read or written in 8-bit or 1-bit units. However, the ADA0EF bit is read-only. Reset sets this register to 00H.

Caution Accessing the ADA0M0 register is prohibited in the following statuses. If a wait cycle is generated, it can be cleared only by a reset. For details, see 3.4.9 (1) Accessing special on-chip peripheral I/O registers.

- When the CPU operates on the subclock and main clock oscillation is stopped
- When the CPU operates on the internal oscillator clock

(1/2)

After reset: 00H								R/W	Address: FFFFF200H								
	<7>	6	5	4	3	2	1	<0>									
ADA0M0	ADA0CE	0	ADA0MD1	ADA0MD0	ADA0ETS1	ADA0ETS0	ADA0TMD	ADA0EF									
	ADA0CE	A/D conversion control															
	0	Stops A/D conversion															
	1	Enables A/D conversion															
	ADA0MD1	ADA0MD0	Specification of A/D converter operation mode														
	0	0	Continuous select mode														
	0	1	Continuous scan mode														
	1	0	One-shot select mode														
	1	1	One-shot scan mode														

(2/2)

ADA0ETS1	ADA0ETS0	Specification of external trigger (ADTRG pin) input valid edge
0	0	No edge detection
0	1	Falling edge detection
1	0	Rising edge detection
1	1	Detection of both rising and falling edges

ADA0TMD	Trigger mode selection
0	Software trigger mode
1	External trigger mode/timer trigger mode

ADA0EF	A/D converter status display
0	A/D conversion stopped
1	A/D conversion in progress

- Cautions**
1. A write operation to bit 0 is ignored.
 2. Changing the ADA0M1.ADA0FR2 to ADA0M1.ADA0FR0 bits is prohibited while A/D conversion is enabled (ADA0CE bit = 1).
 3. In the following modes, write data to the ADA0M0, ADA0M2, ADA0S, ADA0PFM, or ADA0PFT registers while A/D conversion is stopped (ADA0CE bit = 0), and then enable A/D conversion (ADA0CE bit = 1).
 - Normal conversion mode
 - One-shot select mode/one-shot scan mode in high-speed conversion mode

If the ADA0M0, ADA0M2, ADA0S, ADA0PFM, and ADA0PFT registers are written in other modes during A/D conversion (ADA0EF bit = 1), the following will be performed, according to the mode.

 - In software trigger mode
A/D conversion is stopped and started again from the beginning.
 - In hardware trigger mode
A/D conversion is stopped, and the trigger standby status is set.
 4. To select the external trigger mode/timer trigger mode (ADA0TMD bit = 1), set the high-speed conversion mode (ADA0M1.ADA0HS1 bit = 1). Do not input a trigger during the stabilization time that is inserted once after A/D conversion is enabled (ADA0CE bit = 1).
 5. When not using the A/D converter, stop A/D conversion by setting the ADA0CE bit to 0 to reduce power consumption.

(2) A/D converter mode register 1 (ADA0M1)

The ADA0M1 register is an 8-bit register that specifies the conversion time.

This register can be read or written in 8-bit or 1-bit units.

Reset sets this register to 00H.

After reset: 00H R/W Address: FFFFF201H

	7	6	5	4	3	2	1	0
ADA0M1	ADA0HS1	0	0	0	0	ADA0FR2	ADA0FR1	ADA0FR0

ADA0HS1	Normal conversion mode/high-speed mode (A/D conversion time) selection
0	Normal conversion mode
1	High-speed conversion mode

- Cautions**
1. Changing the ADA0M1 register is prohibited while A/D conversion is enabled (ADA0M0.ADA0CE bit = 1).
 2. When selecting the external trigger mode/timer trigger mode (ADA0M0.ADA0TMD bit = 1), set the high-speed conversion mode (ADA0HS1 bit = 1). Do not input a trigger during the stabilization time that is inserted once after A/D conversion is enabled (ADA0CE bit = 1).
 3. Be sure to clear bits 6 to 3 to "0".

Remark For A/D conversion time setting examples, see Tables 14-2 and 14-3.

Examples of the conversion time for each clock are shown below.

Table 14-2. Conversion Time Selection in Normal Conversion Mode (ADA0HS1 Bit = 0)

ADA0 FR2	ADA0 FR1	ADA0 FR0	A/D Conversion Time						Trigger Response Time
			Stabilization Time + Conversion Time + Wait Time	f _{xx} = 20 MHz	f _{xx} = 16 MHz	f _{xx} = 12 MHz	f _{xx} = 10 MHz	f _{xx} = 4 MHz	
0	0	0	66/f _{xx} (13/f _{xx} + 26/f _{xx} + 27/f _{xx})	Setting prohibited	Setting prohibited	Setting prohibited	6.6 μs ^{Note}	16.5 μs	3/f _{xx}
0	0	1	131/f _{xx} (26/f _{xx} + 52/f _{xx} + 53/f _{xx})	6.55 μs ^{Note}	8.19 μs ^{Note}	10.92 μs	13.1 μs	Setting prohibited	3/f _{xx}
0	1	0	196/f _{xx} (39/f _{xx} + 78/f _{xx} + 79/f _{xx})	9.8 μs	12.25 μs	16.33 μs	19.6 μs	Setting prohibited	3/f _{xx}
0	1	1	259/f _{xx} (50/f _{xx} + 104/f _{xx} + 105/f _{xx})	12.95 μs	16.19 μs	21.58 μs	Setting prohibited	Setting prohibited	3/f _{xx}
1	0	0	311/f _{xx} (50/f _{xx} + 130/f _{xx} + 131/f _{xx})	15.55 μs	19.44 μs	Setting prohibited	Setting prohibited	Setting prohibited	3/f _{xx}
1	0	1	363/f _{xx} (50/f _{xx} + 156/f _{xx} + 157/f _{xx})	18.15 μs	22.69 μs	Setting prohibited	Setting prohibited	Setting prohibited	3/f _{xx}
1	1	0	415/f _{xx} (50/f _{xx} + 182/f _{xx} + 183/f _{xx})	20.75 μs	Setting prohibited	Setting prohibited	Setting prohibited	Setting prohibited	3/f _{xx}
1	1	1	467/f _{xx} (50/f _{xx} + 208/f _{xx} + 209/f _{xx})	23.35 μs	Setting prohibited	Setting prohibited	Setting prohibited	Setting prohibited	3/f _{xx}
Other than above			Setting prohibited						

Note Setting prohibited when $2.7\text{ V} \leq AV_{REF0} < 3.0\text{ V}$

Remarks 1. Stabilization time: A/D converter setup time (1 μs or longer)
 Conversion time: Actual A/D conversion time (2.6 to 10.4 μs)
 Wait time: Wait time inserted before the next conversion
 Trigger response time: If a software trigger is generated after the stabilization time, it is inserted before the conversion time.

2. For details about the operation timing, see **14.5.2 Conversion timing**.

In the normal conversion mode, conversion is started after the stabilization time has elapsed after the ADA0M0.ADA0CE bit is set to 1, and A/D conversion is performed only during the specified conversion time (2.6 to 10.4 μs). Conversion stops after the conversion ends and the A/D conversion end interrupt request signal (INTAD) is generated after the wait time has elapsed.

Because conversion is stopped during the wait time, the operating current can be reduced.

Cautions 1. Set as $2.6\text{ μs} \leq \text{conversion time} \leq 10.4\text{ μs}$ when $3.0\text{ V} \leq AV_{REF0} \leq 3.6\text{ V}$.

Set as $3.9\text{ μs} \leq \text{conversion time} \leq 10.4\text{ μs}$ when $2.7\text{ V} \leq AV_{REF0} < 3.0\text{ V}$.

2. During A/D conversion, if the ADA0M0, ADA0M2, ADA0S, ADA0PFM, and ADA0PFT registers are written or a trigger is input, reconversion is carried out. However, if the stabilization time end timing conflicts with writing to these registers, or if the stabilization time end timing conflicts with the trigger input, the stabilization time of 64 clocks is reinserted.

If a conflict occurs again with the reinserted stabilization time end timing, the stabilization time is reinserted. Therefore do not set the trigger input interval and control register write interval to 64 clocks or lower.

Table 14-3. Conversion Time Selection in High-Speed Conversion Mode (ADA0HS1 Bit = 1)

ADA0 FR2	ADA0 FR1	ADA0 FR0	A/D Conversion Time						Trigger Response Time
			Conversion Time (+ Stabilization Time)	$f_{xx} = 20$ MHz	$f_{xx} = 16$ MHz	$f_{xx} = 12$ MHz	$f_{xx} = 10$ MHz	$f_{xx} = 4$ MHz	
0	0	0	$26/f_{xx}$ (+ $13/f_{xx}$)	Setting prohibited	Setting prohibited	Setting prohibited	$2.6 \mu\text{s}$ ^{Note} (+ $1.3 \mu\text{s}$)	$6.5 \mu\text{s}$ (+ $3.25 \mu\text{s}$)	$3/f_{xx}$
0	0	1	$52/f_{xx}$ (+ $26/f_{xx}$)	$2.6 \mu\text{s}$ ^{Note} (+ $1.3 \mu\text{s}$)	$3.25 \mu\text{s}$ ^{Note} (+ $1.625 \mu\text{s}$)	$4.333 \mu\text{s}$ (+ $2.167 \mu\text{s}$)	$5.2 \mu\text{s}$ (+ $2.6 \mu\text{s}$)	Setting prohibited	$3/f_{xx}$
0	1	0	$78/f_{xx}$ (+ $39/f_{xx}$)	$3.9 \mu\text{s}$ (+ $1.95 \mu\text{s}$)	$4.875 \mu\text{s}$ (+ $2.438 \mu\text{s}$)	$6.5 \mu\text{s}$ (+ $3.25 \mu\text{s}$)	$7.8 \mu\text{s}$ (+ $3.9 \mu\text{s}$)	Setting prohibited	$3/f_{xx}$
0	1	1	$104/f_{xx}$ (+ $50/f_{xx}$)	$5.2 \mu\text{s}$ (+ $2.5 \mu\text{s}$)	$6.5 \mu\text{s}$ (+ $3.125 \mu\text{s}$)	$8.667 \mu\text{s}$ (+ $4.167 \mu\text{s}$)	$10.4 \mu\text{s}$ (+ $5 \mu\text{s}$)	Setting prohibited	$3/f_{xx}$
1	0	0	$130/f_{xx}$ (+ $50/f_{xx}$)	$6.5 \mu\text{s}$ (+ $2.5 \mu\text{s}$)	$8.125 \mu\text{s}$ (+ $3.125 \mu\text{s}$)	Setting prohibited	Setting prohibited	Setting prohibited	$3/f_{xx}$
1	0	1	$156/f_{xx}$ (+ $50/f_{xx}$)	$7.8 \mu\text{s}$ (+ $2.5 \mu\text{s}$)	$9.75 \mu\text{s}$ (+ $3.125 \mu\text{s}$)	Setting prohibited	Setting prohibited	Setting prohibited	$3/f_{xx}$
1	1	0	$182/f_{xx}$ (+ $50/f_{xx}$)	$9.1 \mu\text{s}$ (+ $2.5 \mu\text{s}$)	Setting prohibited	Setting prohibited	Setting prohibited	Setting prohibited	$3/f_{xx}$
1	1	1	$208/f_{xx}$ (+ $50/f_{xx}$)	$10.4 \mu\text{s}$ (+ $2.5 \mu\text{s}$)	Setting prohibited	Setting prohibited	Setting prohibited	Setting prohibited	$3/f_{xx}$
Other than above			Setting prohibited						

Note Setting prohibited when $2.7 \text{ V} \leq \text{AV}_{\text{REF0}} < 3.0 \text{ V}$

Remarks 1. Conversion time: Actual A/D conversion time (2.6 to 10.4 μs)
 Stabilization time: A/D converter setup time (1 μs or longer)
 Trigger response time: If a software trigger, external trigger, or timer trigger is generated after the stabilization time, it is inserted before the conversion time.

2. For details about the operation timing, see **14.5.2 Conversion timing**.

In the high-speed conversion mode, conversion is started after the stabilization time has elapsed after the ADA0M0.ADA0CE bit is set to 1, and A/D conversion is performed only during the specified conversion time (2.6 to 10.4 μs). The A/D conversion end interrupt request signal (INTAD) is generated immediately after conversion ends.

In continuous conversion mode, the stabilization time is inserted only before the first conversion, and is not inserted after the second conversion (the A/D converter continues running).

Cautions 1. Set as $2.6 \mu\text{s} \leq \text{conversion time} \leq 10.4 \mu\text{s}$ when $3.0 \text{ V} \leq \text{AV}_{\text{REF0}} \leq 3.6 \text{ V}$.

Set as $3.9 \mu\text{s} \leq \text{conversion time} \leq 10.4 \mu\text{s}$ when $2.7 \text{ V} \leq \text{AV}_{\text{REF0}} < 3.0 \text{ V}$.

2. In the high-speed conversion mode, rewriting the ADA0M0, ADA0M2, ADA0S, ADA0PFM, and ADA0PFT registers and inputting a trigger are prohibited during the stabilization time.

(3) A/D converter mode register 2 (ADA0M2)

The ADA0M2 register specifies the hardware trigger mode.

This register can be read or written in 8-bit or 1-bit units.

Reset sets this register to 00H.

	After reset: 00H	R/W	Address: FFFFF203H							
			7	6	5	4	3	2	1	0
ADA0M2			0	0	0	0	0	0	ADA0TMD1	ADA0TMD0

ADA0TMD1	ADA0TMD0	Specification of hardware trigger mode
0	0	External trigger mode (when ADTRG pin valid edge is detected)
0	1	Timer trigger mode 0 (when INTTP2CC0 interrupt request is generated)
1	0	Timer trigger mode 1 (when INTTP2CC1 interrupt request is generated)
1	1	Setting prohibited

Cautions 1. In the following modes, write data to the ADA0M2 register while A/D conversion is stopped (ADA0M0.ADA0CE bit = 0), and then enable A/D conversion (ADA0CE bit = 1).

- Normal conversion mode
 - One-shot select mode/one-shot scan mode in high-speed conversion mode
- 2.** Be sure to clear bits 7 to 2 to "0".

(4) Analog input channel specification register 0 (ADA0S)

The ADA0S register specifies the pin that inputs the analog voltage to be converted into a digital signal.

This register can be read or written in 8-bit or 1-bit units.

Reset sets this register to 00H.

After reset: 00H R/W Address: FFFFF202H

	7	6	5	4	3	2	1	0
ADA0S	0	0	0	0	ADA0S3	ADA0S2	ADA0S1	ADA0S0

ADA0S3	ADA0S2	ADA0S1	ADA0S0	Select mode	Scan mode
0	0	0	0	ANI0	ANI0
0	0	0	1	ANI1	ANI0, ANI1
0	0	1	0	ANI2	ANI0 to ANI2
0	0	1	1	ANI3	ANI0 to ANI3
0	1	0	0	ANI4	ANI0 to ANI4
0	1	0	1	ANI5	ANI0 to ANI5
0	1	1	0	ANI6	ANI0 to ANI6
0	1	1	1	ANI7	ANI0 to ANI7
1	0	0	0	ANI8	ANI0 to ANI8
1	0	0	1	ANI9	ANI0 to ANI9
1	0	1	0	ANI10	ANI0 to ANI10
1	0	1	1	ANI11	ANI0 to ANI11
1	1	0	0	Setting prohibited	Setting prohibited
1	1	0	1	Setting prohibited	Setting prohibited
1	1	1	0	Setting prohibited	Setting prohibited
1	1	1	1	Setting prohibited	Setting prohibited

Cautions 1. In the following modes, write data to the ADA0S register while A/D conversion is stopped (ADA0M0.ADA0CE bit = 0), and then enable A/D conversion (ADA0CE bit = 1).

- Normal conversion mode
 - One-shot select mode/one-shot scan mode in high-speed conversion mode
- 2.** Be sure to clear bits 7 to 4 to "0".

(5) A/D conversion result registers n, nH (ADA0CRn, ADA0CRnH)

The ADA0CRn and ADA0CRnH registers store the A/D conversion results.

These registers are read-only, in 16-bit or 8-bit units. However, specify the ADA0CRn register for 16-bit access and the ADA0CRnH register for 8-bit access. For ADA0CRn, the 10 bits of the conversion result are read from the higher 10 bits, and 0 is read from the lower 6 bits. For ADA0CRnH, the higher 8 bits of the conversion result are read.

Caution Accessing the ADA0CRn and ADA0CRnH registers is prohibited in the following statuses. If a wait cycle is generated, it can be cleared only by a reset. For details, see 3.4.9 (1) Accessing special on-chip peripheral I/O registers.

- When the CPU operates on the subclock and main clock oscillation is stopped
- When the CPU operates on the internal oscillator clock

	After reset: Undefined	R	Address: ADA0CR0 FFFFF210H, ADA0CR1 FFFFF212H, ADA0CR2 FFFFF214H, ADA0CR3 FFFFF216H, ADA0CR4 FFFFF218H, ADA0CR5 FFFFF21AH, ADA0CR6 FFFFF21CH, ADA0CR7 FFFFF21EH, ADA0CR8 FFFFF220H, ADA0CR9 FFFFF222H, ADA0CR10 FFFFF224H, ADA0CR11 FFFFF226H													
ADA0CRn (n = 0 to 11)	15	14	13	12	11	10	9	8	7	6	5	4	3	2	1	0
	AD9	AD8	AD7	AD6	AD5	AD4	AD3	AD2	AD1	AD0	0	0	0	0	0	0
	After reset: Undefined R Address: ADA0CR0H FFFFF211H, ADA0CR1H FFFFF213H, ADA0CR2H FFFFF215H, ADA0CR3H FFFFF217H, ADA0CR4H FFFFF219H, ADA0CR5H FFFFF21BH, ADA0CR6H FFFFF21DH, ADA0CR7H FFFFF21FH, ADA0CR8H FFFFF221H, ADA0CR9H FFFFF223H, ADA0CR10H FFFFF225H, ADA0CR11H FFFFF227H															
ADA0CRnH (n = 0 to 11)	7	6	5	4	3	2	1	0								
	AD9	AD8	AD7	AD6	AD5	AD4	AD3	AD2								

Caution A write operation to the ADA0M0 and ADA0S registers may cause the contents of the ADA0CRn register to become undefined. After conversion, read the conversion result before writing to the ADA0M0 and ADA0S registers. Correct conversion results may not be read if a sequence other than the above is used.

The relationship between the analog voltage input to the analog input pins (ANI0 to ANI11) and the A/D conversion result (ADA0CRn register) is as follows.

$$SAR = INT \left(\frac{V_{IN}}{AV_{REF0}} \times 1,024 + 0.5 \right)$$

$$ADA0CR^{Note} = SAR \times 64$$

Or,

$$(SAR - 0.5) \times \frac{AV_{REF0}}{1,024} \leq V_{IN} < (SAR + 0.5) \times \frac{AV_{REF0}}{1,024}$$

INT(): Function that returns the integer of the value in ()

V_{IN}: Analog input voltage

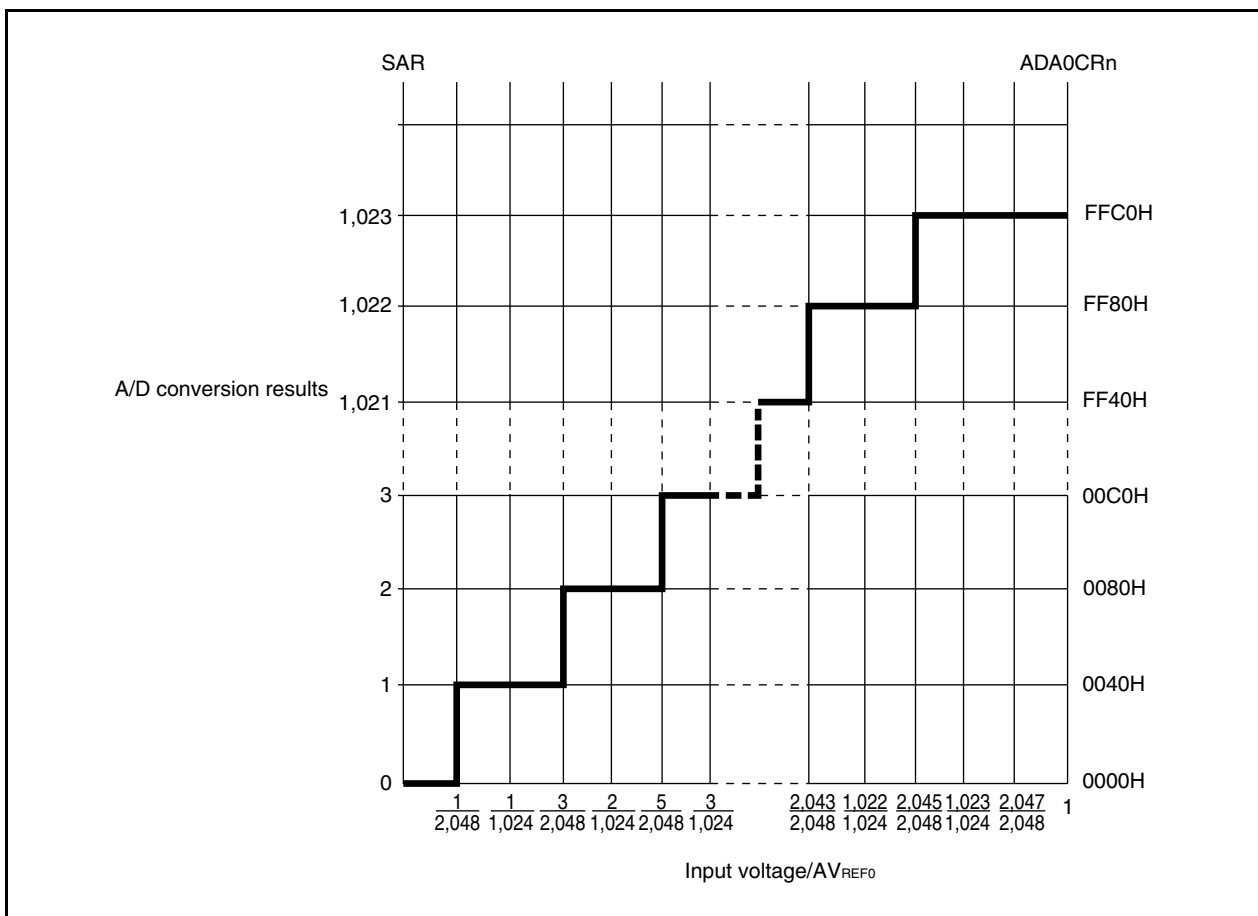
AV_{REF0}: AV_{REF0} pin voltage

ADA0CR: Value of ADA0CRn register

Note The lower 6 bits of the ADA0CRn register are fixed to 0.

The following shows the relationship between the analog input voltage and the A/D conversion results.

Figure 14-2. Relationship Between Analog Input Voltage and A/D Conversion Results



(6) Power-fail compare mode register (ADA0PFM)

The ADA0PFM register is an 8-bit register that sets the power-fail compare mode.

This register can be read or written in 8-bit or 1-bit units.

Reset sets this register to 00H.

After reset: 00H R/W Address: FFFFF204H

	<7>	6	5	4	3	2	1	0
ADA0PFM	ADA0PFE	ADA0PFC	0	0	0	0	0	0

ADA0PFE	Selection of power-fail compare enable/disable
0	Power-fail compare disabled
1	Power-fail compare enabled

ADA0PFC	Selection of power-fail compare mode
0	Generate an interrupt request signal (INTAD) when $ADA0CRnH \geq ADA0PFT$
1	Generate an interrupt request signal (INTAD) when $ADA0CRnH < ADA0PFT$

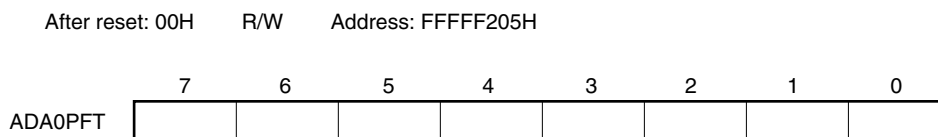
- Cautions**
- In the select mode, the 8-bit data set to the ADA0PFT register is compared with the conversion result of the channel specified by the ADA0S register. If the result matches the condition specified by the ADA0PFC bit, the conversion result is stored in the ADA0CRn register and the INTAD signal is generated. If it does not match, the conversion result is stored in the ADA0CR0 register and the INTAD signal is not generated.
 - In the scan mode, the 8-bit data set to the ADA0PFT register is compared with the conversion result of channel 0. If the result matches the condition specified by the ADA0PFC bit, the conversion result is stored in the ADA0CR0 register and the INTAD signal is generated. If it does not match, the conversion result is stored in the ADA0CR0 register but the INTAD signal is not generated. Also, regardless of the comparison result, scanning continues after comparison and the conversion result continue to be stored in the ADA0CRn register until scanning ends. However, the INTAD signal is not generated after the scanning has finished.
 - In the following modes, write data to the ADA0PFM register while A/D conversion is stopped (ADA0M0.ADA0CE bit = 0), and then enable A/D conversion (ADA0CE bit = 1).
 - Normal conversion mode
 - One-shot select mode/one-shot scan mode in high-speed conversion mode

(7) Power-fail compare threshold value register (ADA0PFT)

The ADA0PFT register sets the compare value in the power-fail compare mode.

This register can be read or written in 8-bit or 1-bit units.

Reset sets this register to 00H.



Caution In the following modes, write data to the ADA0PFT register while A/D conversion is stopped (ADA0M0.ADA0CE bit = 0), and then enable A/D conversion (ADA0CE bit = 1).

- Normal conversion mode
- One-shot select mode/one-shot scan mode in high-speed conversion mode

14.5 Operation

14.5.1 Basic operation

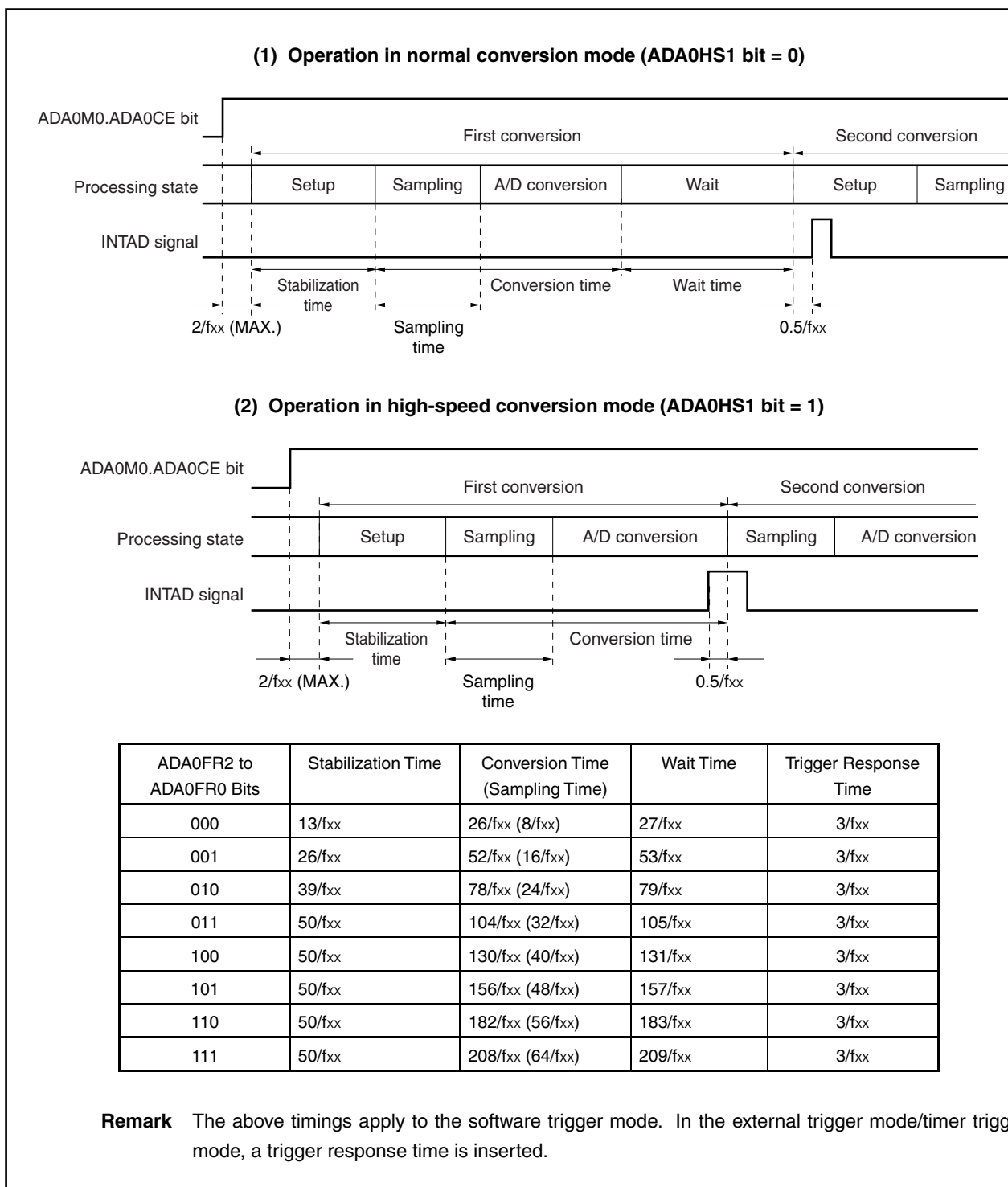
- <1> Set the operation mode, trigger mode, and conversion time for executing A/D conversion by using the ADA0M0, ADA0M1, ADA0M2, and ADA0S registers. When the ADA0CE bit of the ADA0M0 register is set, conversion is started in the software trigger mode and the A/D converter waits for a trigger in the external or timer trigger mode.
- <2> When A/D conversion is started, the voltage input to the selected analog input channel is sampled by the sample & hold circuit.
- <3> Once the sample & hold circuit has sampled the input channel for a specific time, it enters the hold status, and holds the input analog voltage until A/D conversion is complete.
- <4> Set bit 9 of the successive approximation register (SAR). The tap selector selects (1/2) AV_{REF0} as the compare voltage generation DAC.
- <5> The voltage difference between the voltage of the compare voltage generation DAC and the analog input voltage is compared by the voltage comparator. If the analog input voltage is higher than (1/2) AV_{REF0} , the MSB of the SAR register remains set (1). If it is lower than (1/2) AV_{REF0} , the MSB is reset.
- <6> Next, bit 8 of the SAR register is automatically set and the next comparison is started. Depending on the value of bit 9, to which a result has been already set, the voltage tap of the compare voltage generation DAC is selected as follows.
 - Bit 9 = 1: (3/4) AV_{REF0}
 - Bit 9 = 0: (1/4) AV_{REF0}
 This compare voltage and the analog input voltage are compared and, depending on the result, bit 8 is manipulated as follows.
 Analog input voltage \geq Compare voltage: Bit 8 = 1
 Analog input voltage \leq Compare voltage: Bit 8 = 0
- <7> This comparison is continued to bit 0 of the SAR register.
- <8> When comparison of the 10 bits is complete, the valid digital result is stored in the SAR register, and is then transferred to and stored in the ADA0CRn register. After that, an A/D conversion end interrupt request signal (INTAD) is generated at the following timing.
 - Continuous/one-shot select mode: After the first A/D conversion is complete
 - Continuous/one-shot scan mode: After A/D conversions are performed sequentially for analog input pins up to the one specified by the ADA0S register
- <9> In one-shot select mode, conversion stops here^{Note}. In one-shot scan mode, conversion stops after scanning once^{Note}. In continuous select mode, repeat steps <2> to <8> until the ADA0M0.ADA0CE bit is cleared to 0. In continuous scan mode, repeat steps <2> to <8> for each channel.

Note In the external trigger mode, timer trigger mode 0, or timer trigger mode 1, the trigger standby status is entered.

Remark The trigger standby status means the status after the stabilization time has passed.

14.5.2 Conversion timing

Figure 14-3. Conversion Timing (Continuous Conversion)



14.5.3 Trigger modes

The timing of starting conversion is specified by setting a trigger mode. The trigger modes include a software trigger mode and hardware trigger modes. The hardware trigger modes include timer trigger modes 0 and 1, and external trigger mode. The ADA0M0.ADA0TMD bit is used to set the trigger mode. The hardware trigger modes are set by the ADA0M2.ADA0TMD1 and ADA0M2.ADA0TMD0 bits.

Table 14-4. Trigger Modes

ADA0M0 Register	ADA0M2 Register		Trigger Mode
ADA0TMD Bit	ADA0TMD1 Bit	ADA0TMD0 Bit	
0	–	–	Software trigger mode
1	0	0	External trigger mode (based on ADTRG pin valid edge detection)
	0	1	Timer trigger mode 0 (based on INTTP2CC0 interrupt request occurrence)
	1	0	Timer trigger mode 1 (based on INTTP2CC1 interrupt request occurrence)
	1	1	Setting prohibited

(1) Software trigger mode

When the ADA0M0.ADA0CE bit is set to 1, the signal of the analog input pin (ANIn pin) specified by the ADA0S register is converted. When conversion is complete, the result is stored in the ADA0CRn register. At the same time, the A/D conversion end interrupt request signal (INTAD) is generated.

If the operation mode specified by the ADA0M0.ADA0MD1 and ADA0M0.ADA0MD0 bits is the continuous select/scan mode, the next conversion is started, unless the ADA0CE bit is cleared to 0 after completion of the first conversion. Conversion is performed once and ends if the operation mode is the one-shot select/scan mode.

When conversion is started, the ADA0M0.ADA0EF bit is set to 1 (indicating that conversion is in progress).

If the ADA0M0, ADA0M2, ADA0S, ADA0PFM, or ADA0PFT register is written during conversion, the conversion is aborted and started again from the beginning. However, writing to these registers is prohibited in the normal conversion mode and one-shot select mode/one-shot scan mode in the high-speed conversion mode (n = 0 to 11).

(2) External trigger mode

In this mode, converting the signal of the analog input pin (ANIn pin) specified by the ADA0S register is started when an external trigger is input (to the ADTRG pin). Which edge of the external trigger is to be detected (that is, the rising edge, falling edge, or both rising and falling edges) can be specified by using the ADA0M0.ADA0ETS1 and ADA0M0.ADA0ETS0 bits. When the ADA0CE bit is set to 1, the A/D converter waits for the trigger, and starts conversion after the external trigger has been input.

When conversion is completed, the result of conversion is stored in the ADA0CRn register, regardless of whether the continuous select, continuous scan, one-shot select, or one-shot scan mode is set as the operation mode by the ADA0MD1 and ADA0MD0 bits. At the same time, the INTAD signal is generated, and the A/D converter waits for the trigger again.

When conversion is started, the ADA0EF bit is set to 1 (indicating that conversion is in progress). While the A/D converter is waiting for the trigger, however, the ADA0EF bit is cleared to 0 (indicating that conversion is stopped).

If a valid trigger is input during conversion, the conversion is aborted and started again from the beginning.

If the ADA0M0, ADA0M2, ADA0S, ADA0PFM, or ADA0PFT register is written during conversion, the conversion is aborted, and the A/D converter waits for the trigger again. However, writing to these registers is prohibited in the one-shot select mode/one-shot scan mode (n = 0 to 11).

Caution When selecting the external trigger mode, set the high-speed conversion mode. Do not input a trigger during the stabilization time that is inserted once after A/D conversion is enabled (ADA0M0.ADA0CE bit = 1).

Remark The trigger standby status means the status after the stabilization time has passed.

(3) Timer trigger mode

In this mode, converting the signal of the analog input pin (ANI0 to ANI11) specified by the ADA0S register is started by the compare match interrupt request signal (INTTP2CC0 or INTTP2CC1) of the capture/compare register connected to the timer. The INTTP2CC0 or INTTP2CC1 signal is selected by the ADA0TMD1 and ADA0TMD0 bits, and conversion is started at the rising edge of the specified compare match interrupt request signal. When the ADA0CE bit is set to 1, the A/D converter waits for a trigger, and starts conversion when the compare match interrupt request signal of the timer is input.

When conversion is completed, regardless of whether the continuous select, continuous scan, one-shot select, or one-shot scan mode is set as the operation mode by the ADA0MD1 and ADA0MD0 bits, the result of the conversion is stored in the ADA0CRn register. At the same time, the INTAD signal is generated, and the A/D converter waits for the trigger again.

When conversion is started, the ADA0EF bit is set to 1 (indicating that conversion is in progress). While the A/D converter is waiting for the trigger, however, the ADA0EF bit is cleared to 0 (indicating that conversion is stopped). If a valid trigger is input during conversion, the conversion is aborted and started again from the beginning.

If the ADA0M0, ADA0M2, ADA0S, ADA0PFM, or ADA0PFT register is written during conversion, the conversion is stopped and the A/D converter waits for the trigger again. However, writing to these registers is prohibited in the one-shot select mode/one-shot scan mode.

Caution When selecting the timer trigger mode, set the high-speed conversion mode. Do not input a trigger during the stabilization time that is inserted once after A/D conversion is enabled (ADA0M0.ADA0CE bit = 1).

Remark The trigger standby status means the status after the stabilization time has passed.

14.5.4 Operation mode

Four operation modes are available: continuous select mode, continuous scan mode, one-shot select mode, and one-shot scan mode.

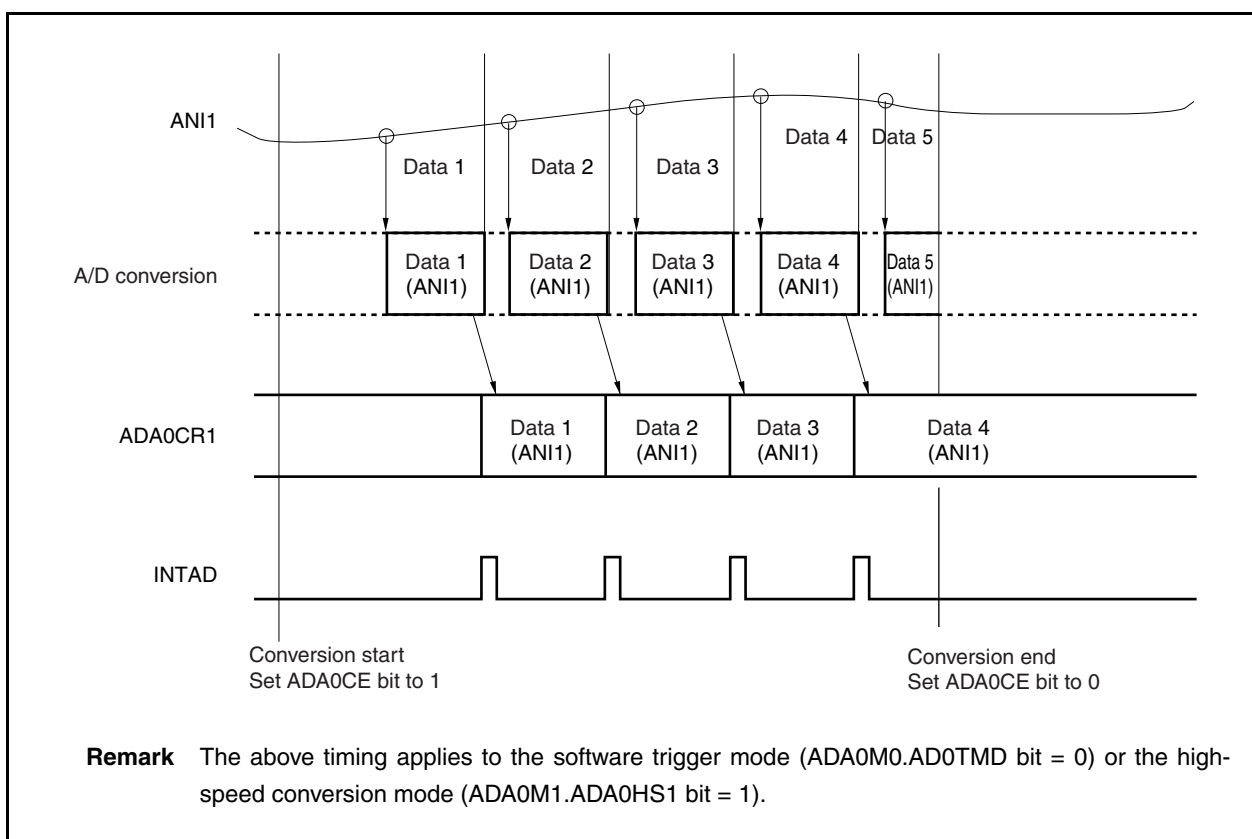
The operation mode is selected by the ADA0M0.ADA0MD1 and ADA0M0.ADA0MD0 bits.

(1) Continuous select mode

In this mode, the voltage of one analog input pin selected by the ADA0S register is continuously converted into a digital value.

The conversion result is stored in the ADA0CRn register corresponding to the analog input pin. Each time A/D conversion is completed, the A/D conversion end interrupt request signal (INTAD) is generated. After completion of conversion, the next conversion is started, unless the ADA0M0.ADA0CE bit is cleared to 0 (n = 0 to 11).

Figure 14-4. Example of Timing in Continuous Select Mode (ADA0S Register = 01H)



(2) Continuous scan mode

In this mode, analog input pins are sequentially selected, from the ANI0 pin to the pin specified by the ADA0S register, and their values are converted into digital values.

The result of each conversion is stored in the ADA0CRn register corresponding to the analog input pin. When conversion of the analog input pin specified by the ADA0S register is complete, the INTAD signal is generated, and A/D conversion is started again from the ANI0 pin, unless the ADA0CE bit is cleared to 0 (n = 0 to 11).

Figure 14-5. Example of Timing in Continuous Scan Mode (ADA0S Register = 03H) (1/2)

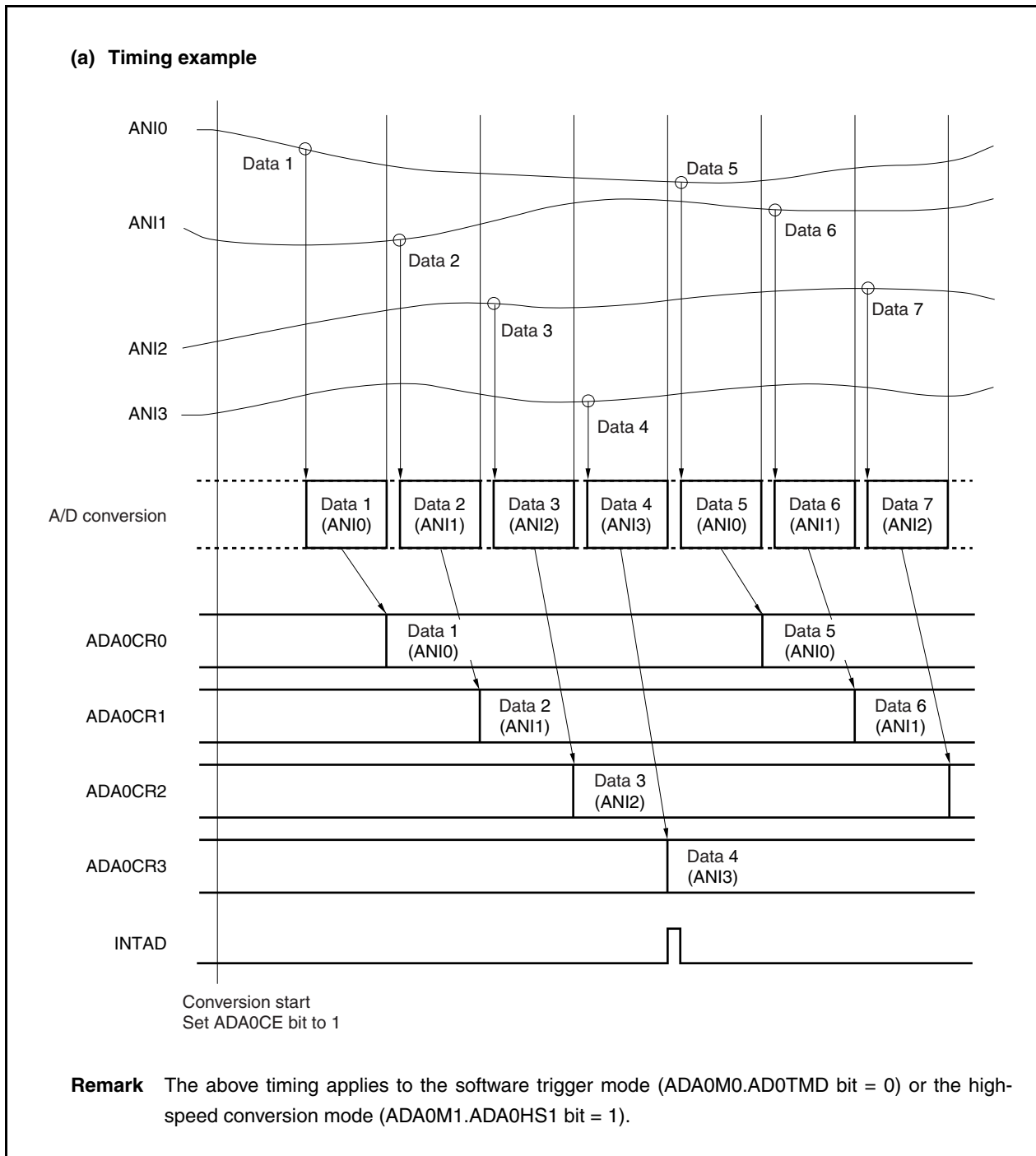
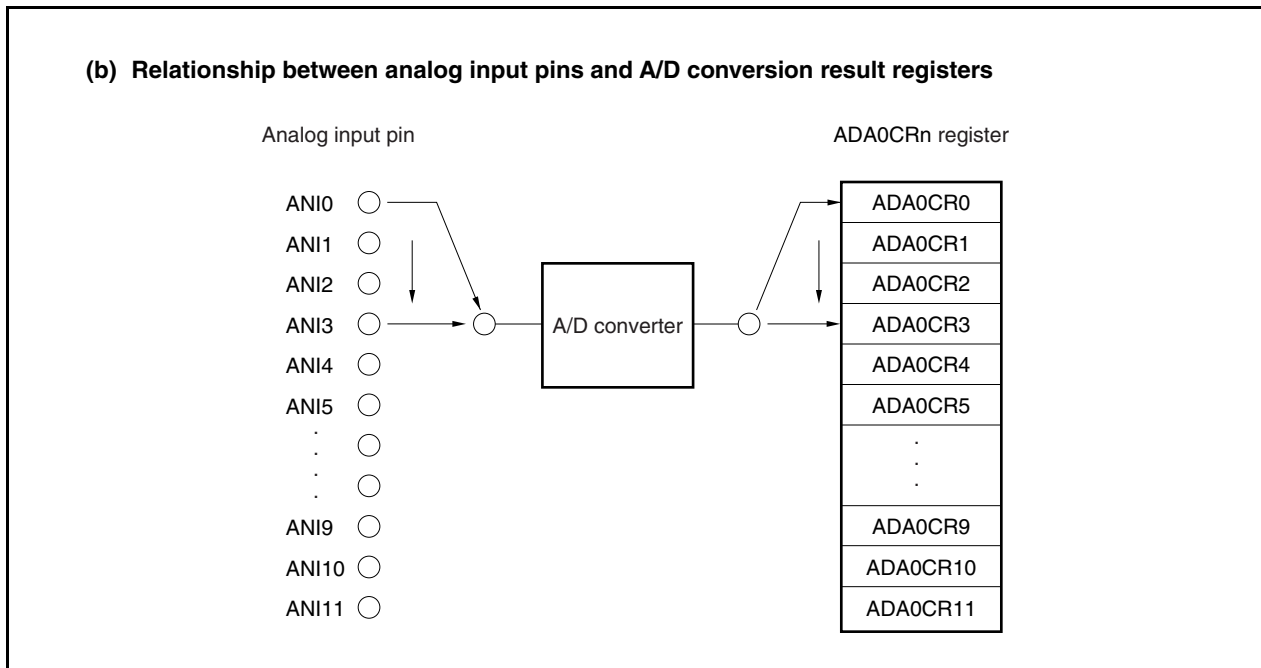


Figure 14-5. Example of Timing in Continuous Scan Mode (ADA0S Register = 03H) (2/2)

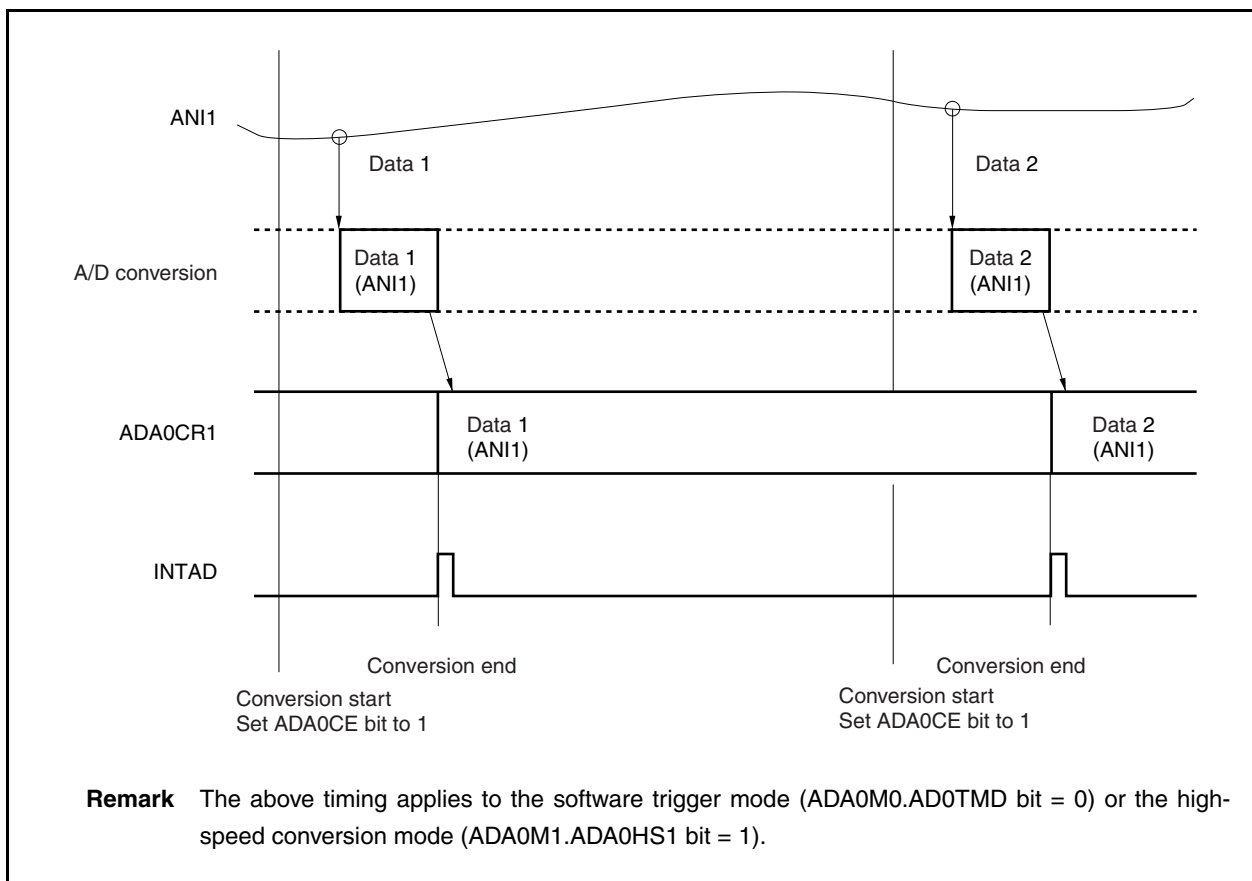


(3) One-shot select mode

In this mode, the voltage of the analog input pin specified by the ADA0S register is converted into a digital value only once.

The conversion result is stored in the ADA0CRn register corresponding to the analog input pin. In this mode, an analog input pin and an ADA0CRn register correspond on a one-to-one basis. When A/D conversion has been completed once, the INTAD signal is generated. A/D conversion is stopped after it has been completed (n = 0 to 11).

Figure 14-6. Example of Timing in One-Shot Select Mode (ADA0S Register = 01H)



(4) One-shot scan mode

In this mode, analog input pins are sequentially selected, from the ANI0 pin to the pin specified by the ADA0S register, and their values are converted into digital values .

Each conversion result is stored in the ADA0CRn register corresponding to the analog input pin. When conversion of the analog input pin specified by the ADA0S register is complete, the INTAD signal is generated. A/D conversion is stopped after it has been completed (n = 0 to 11).

Figure 14-7. Example of Timing in One-Shot Scan Mode (ADA0S Register = 03H) (1/2)

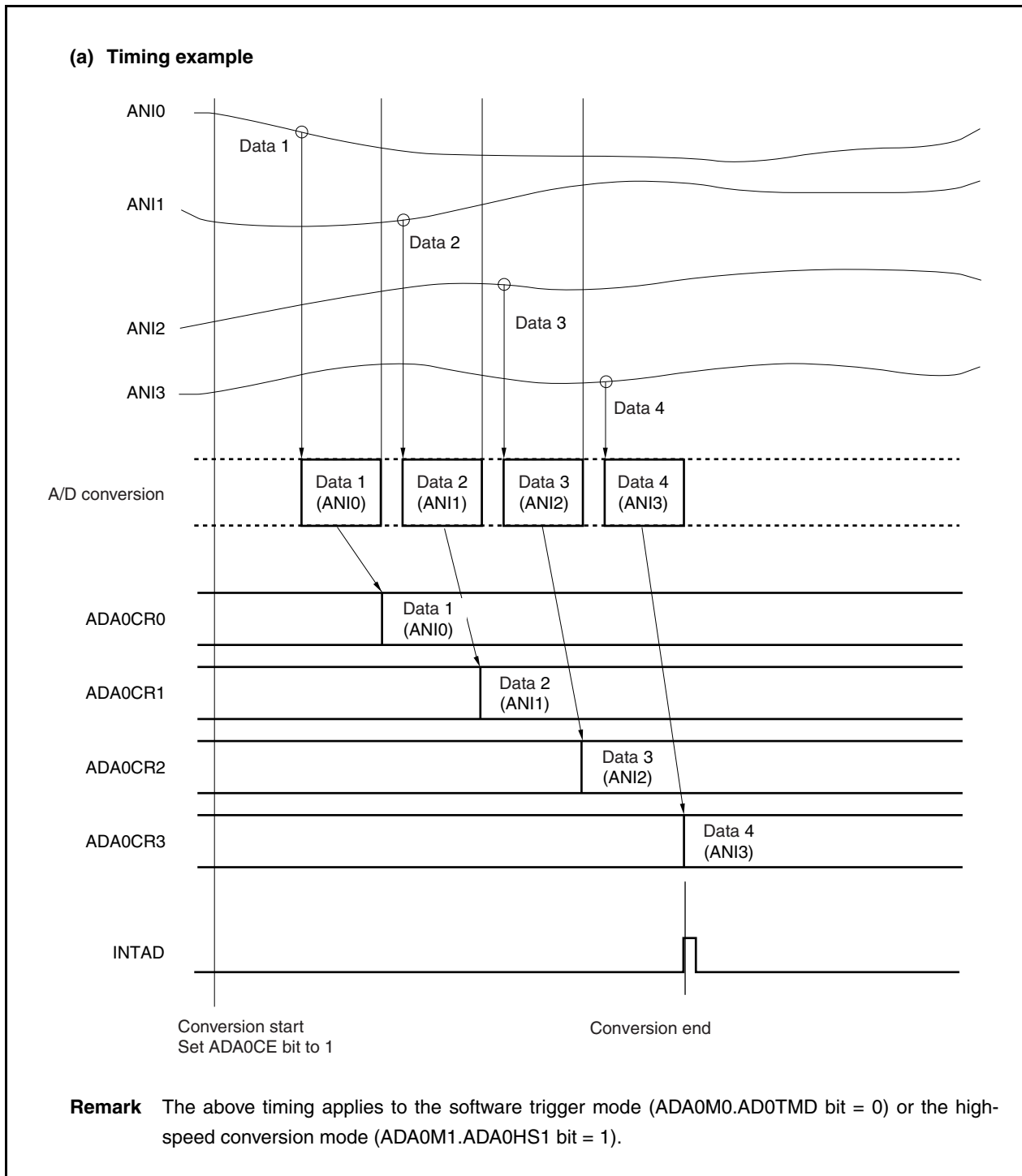
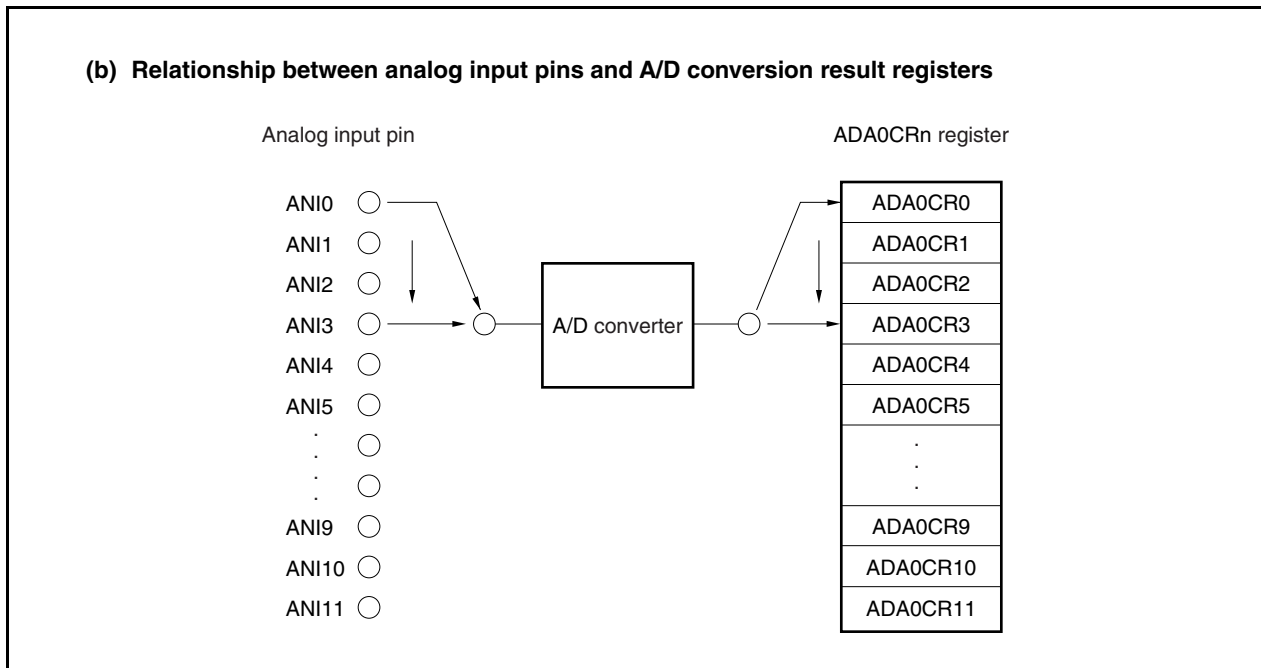


Figure 14-7. Example of Timing in One-Shot Scan Mode (ADA0S Register = 03H) (2/2)



14.5.5 Power-fail compare mode

In this mode, whether the input analog signal voltage is the specified voltage or higher or whether it is lower than the specified voltage is judged, and if the condition specified by the ADA0PFC bit is satisfied, the A/D conversion end interrupt request signal (INTAD) is generated.

- When the ADA0PFM.ADA0PFE bit is 0, the INTAD signal is generated each time A/D conversion is completed at the following timing (normal use of the A/D converter) .
 - Continuous/one-shot select mode: After the first A/D conversion is complete
 - Continuous/one-shot scan mode: After A/D conversions are performed sequentially for the analog input pins up to the one specified by the ADA0S register
- When the ADA0PFE bit is 1 and when the ADA0PFM.ADA0PFC bit is 0, the value of the ADA0CRnH register is compared with the value of the ADA0PFT register when conversion is completed, and the INTAD signal is generated only if $ADA0CRnH \geq ADA0PFT$.
- When the ADA0PFE bit is 1 and when the ADA0PFC bit is 1, the value of the ADA0CRnH register is compared with the value of the ADA0PFT register when conversion is completed, and the INTAD signal is generated only if $ADA0CRnH < ADA0PFT$.

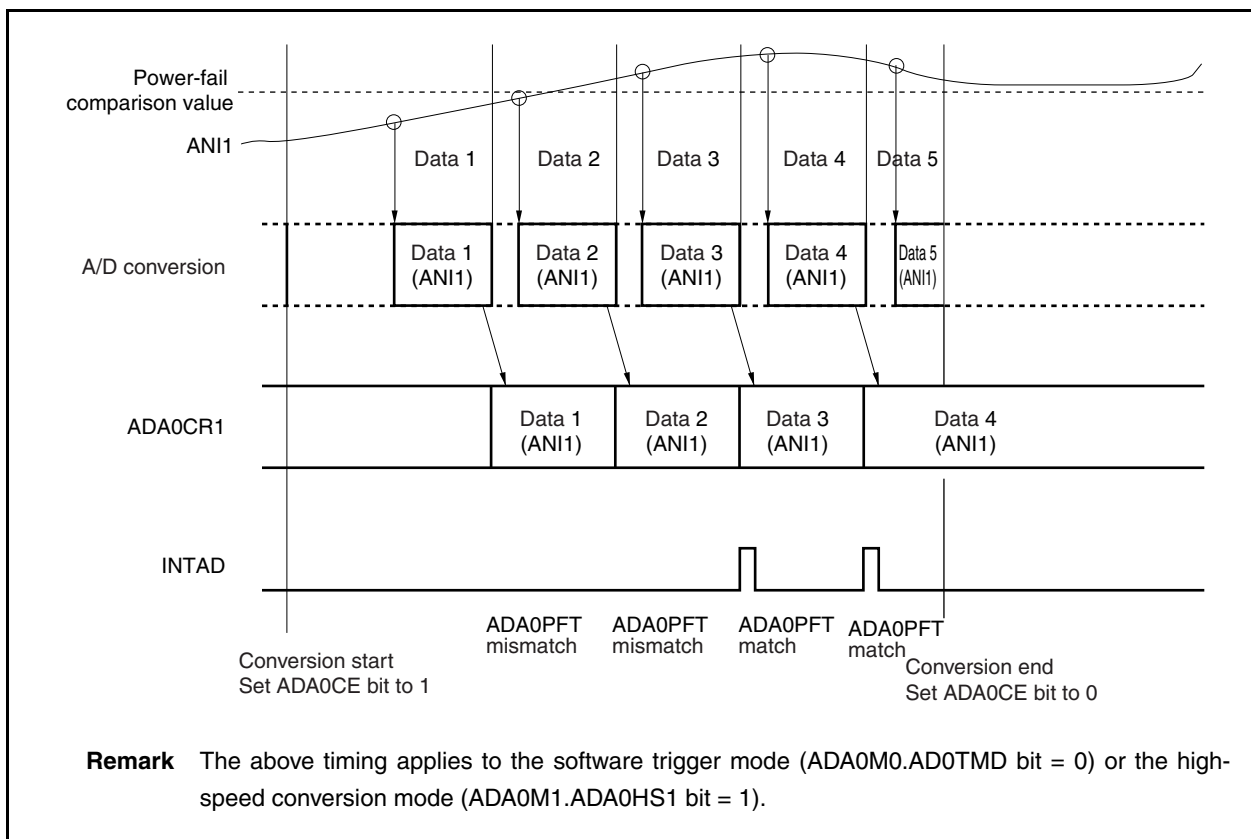
Remark n = 0 to 11

In the power-fail compare mode, four modes are available: continuous select mode, continuous scan mode, one-shot select mode, and one-shot scan mode.

(1) Continuous select mode

In this mode, the result of converting the voltage of the analog input pin specified by the ADA0S register is compared with the set value of the ADA0PFT register. If the result of power-fail comparison matches the condition set by the ADA0PFC bit, the conversion result is stored in the ADA0CRn register, and the INTAD signal is generated. If it does not match, the conversion result is stored in the ADA0CRn register, and the INTAD signal is not generated. After completion of the first conversion, the next conversion is started, unless the ADA0M0.ADA0CE bit is cleared to 0 (n = 0 to 11).

Figure 14-8. Example of Timing in Continuous Select Mode
 (When Power-Fail Comparison Is Made: ADA0PFM.ADA0PFC bit = 0, ADA0S Register = 01H)



(2) Continuous scan mode

In this mode, the results of converting the voltages of the analog input pins, from the ANI0 pin to the pin specified by the ADA0S register, are stored sequentially.

First, the conversion result of channel 0 is compared. If the result of power-fail comparison matches the condition set by the ADA0PFC bit, the conversion result is stored in the ADA0CR0 register, and the INTAD signal is generated. If it does not match, the conversion result is stored in the ADA0CR0 register, and the INTAD signal is not generated.

After the result of the first conversion has been stored in the ADA0CR0 register, the results of sequentially converting the voltages of the analog input pins up to the pin specified by the ADA0S register are continuously stored. After completion of conversion, the next conversion is started from the ANI0 pin again, unless the ADA0CE bit is cleared to 0.

Figure 14-9. Example of Timing in Continuous Scan Mode
 (When Power-Fail Comparison is Made: ADA0PFM.ADA0PFC bit = 0, ADA0S Register = 03H) (1/2)

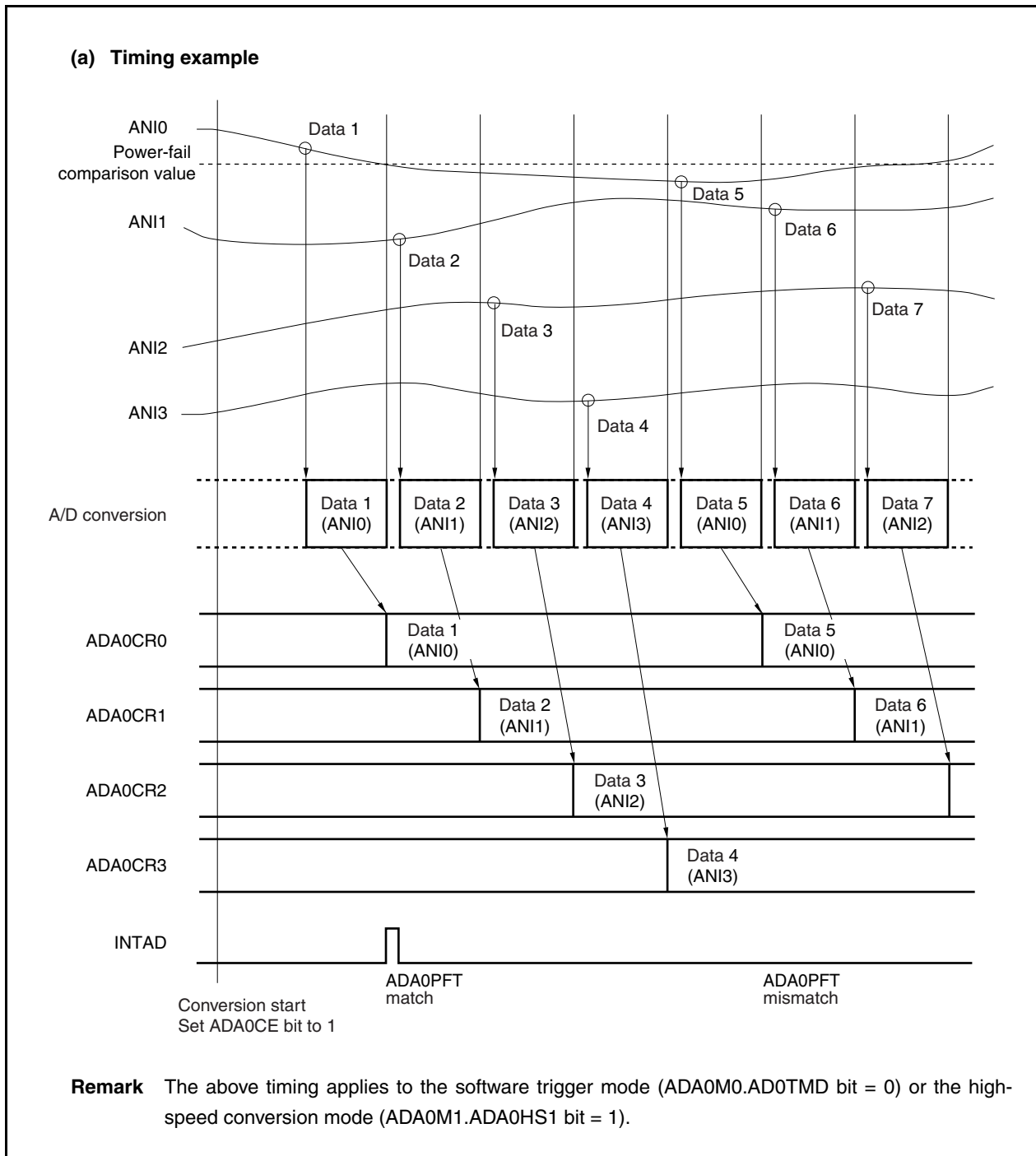
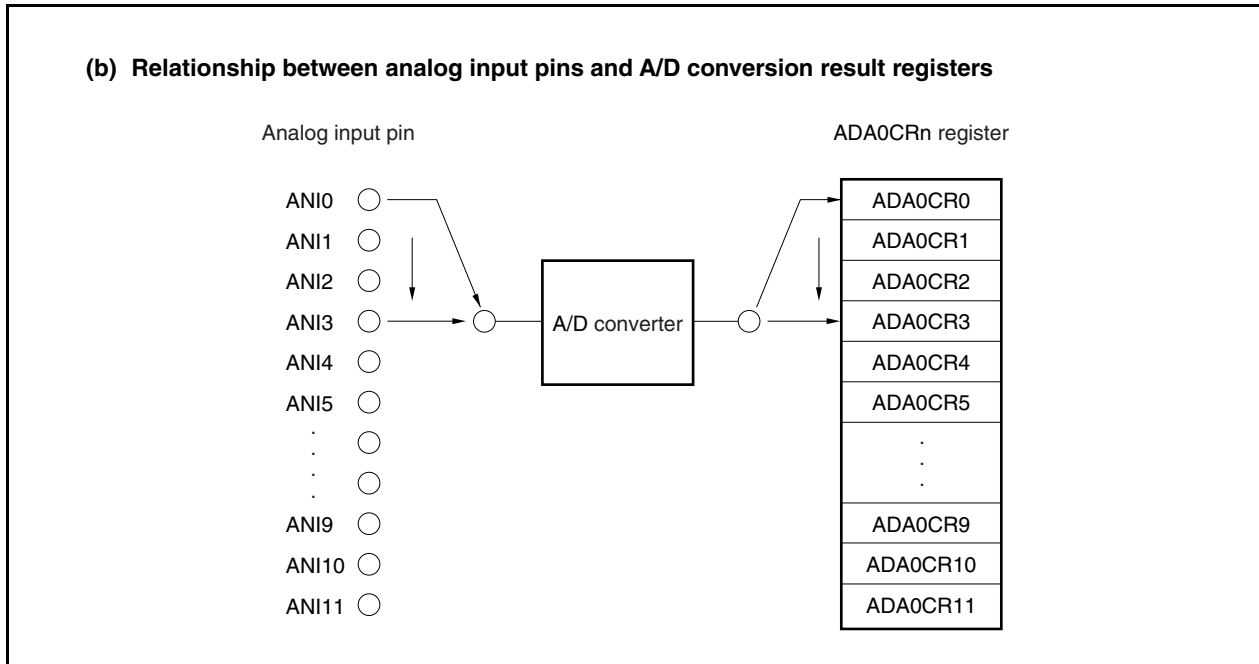


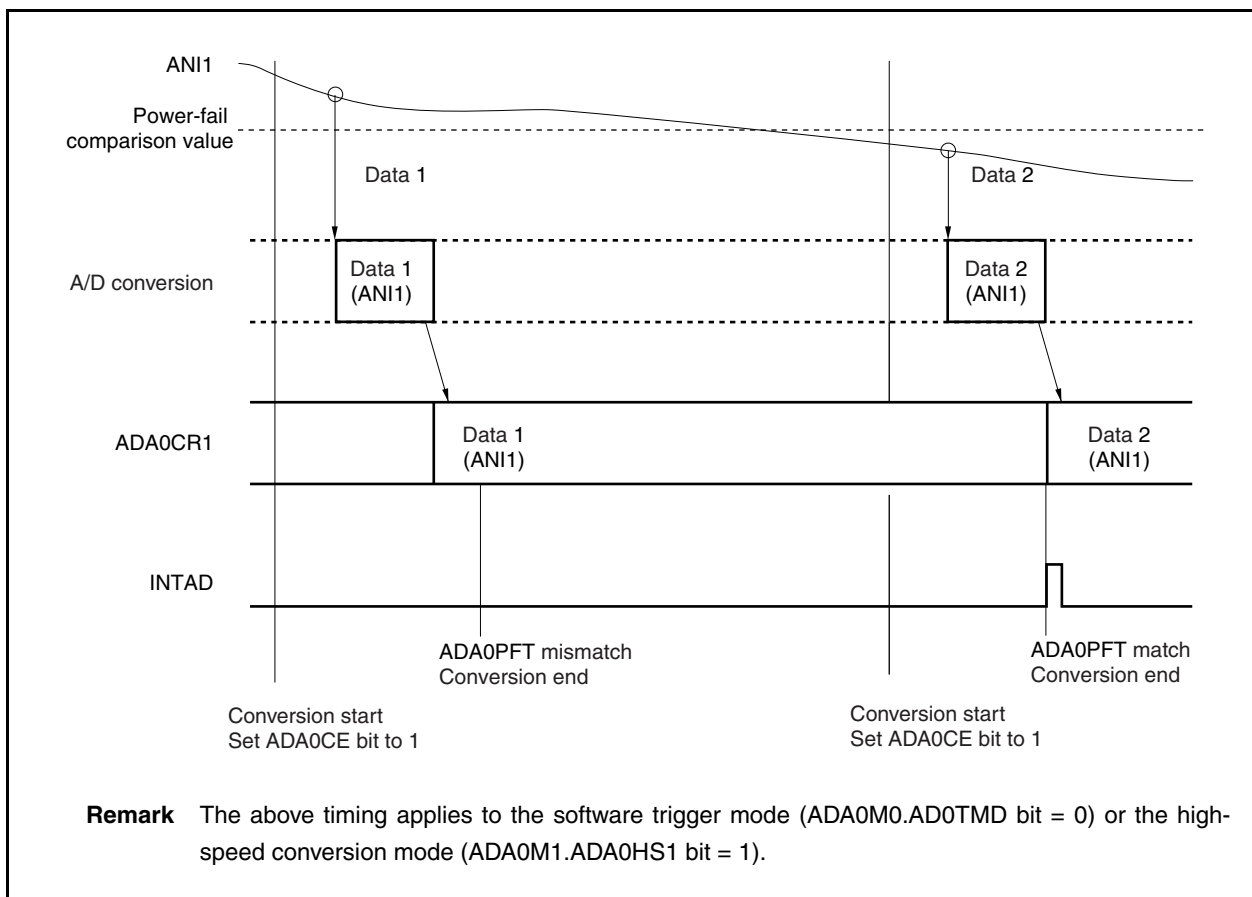
Figure 14-9. Example of Timing in Continuous Scan Mode
 (When Power-Fail Comparison Is Made: ADA0PFM.ADA0PFC bit = 0, ADA0S Register = 03H) (2/2)



(3) One-shot select mode

In this mode, the result of converting the voltage of the analog input pin specified by the ADA0S register is compared with the set value of the ADA0PFT register. If the result of power-fail comparison matches the condition set by the ADA0PFC bit, the conversion result is stored in the ADA0CRn register, and the INTAD signal is generated. If it does not match, the conversion result is stored in the ADA0CRn register, and the INTAD signal is not generated. Conversion is stopped after it has been completed.

Figure 14-10. Example of Timing in One-Shot Select Mode
 (When Power-Fail Comparison Is Made: ADA0PFM.ADA0PFC bit = 1, ADA0S Register = 01H)



(4) One-shot scan mode

In this mode, the results of converting the voltages of the analog input pins sequentially selected from the ANI0 pin to the pin specified by the ADA0S register are stored, and the set value of the ADA0CR0H register of channel 0 is compared with the set value of the ADA0PFT register. If the result of power-fail comparison matches the condition set by the ADA0PFC bit, the conversion result is stored in the ADA0CR0 register and the INTAD signal is generated. If it does not match, the conversion result is stored in the ADA0CR0 register, and the INTAD0 signal is not generated. After the result of the first conversion has been stored in the ADA0CR0 register, the results of converting the signals on the analog input pins specified by the ADA0S register are sequentially stored. Conversion is stopped after it has been completed.

Figure 14-11. Example of Timing in One-Shot Scan Mode
 (When Power-Fail Comparison Is Made: ADA0PFM.ADA0PFC bit = 0, ADA0S Register = 03H) (1/2)

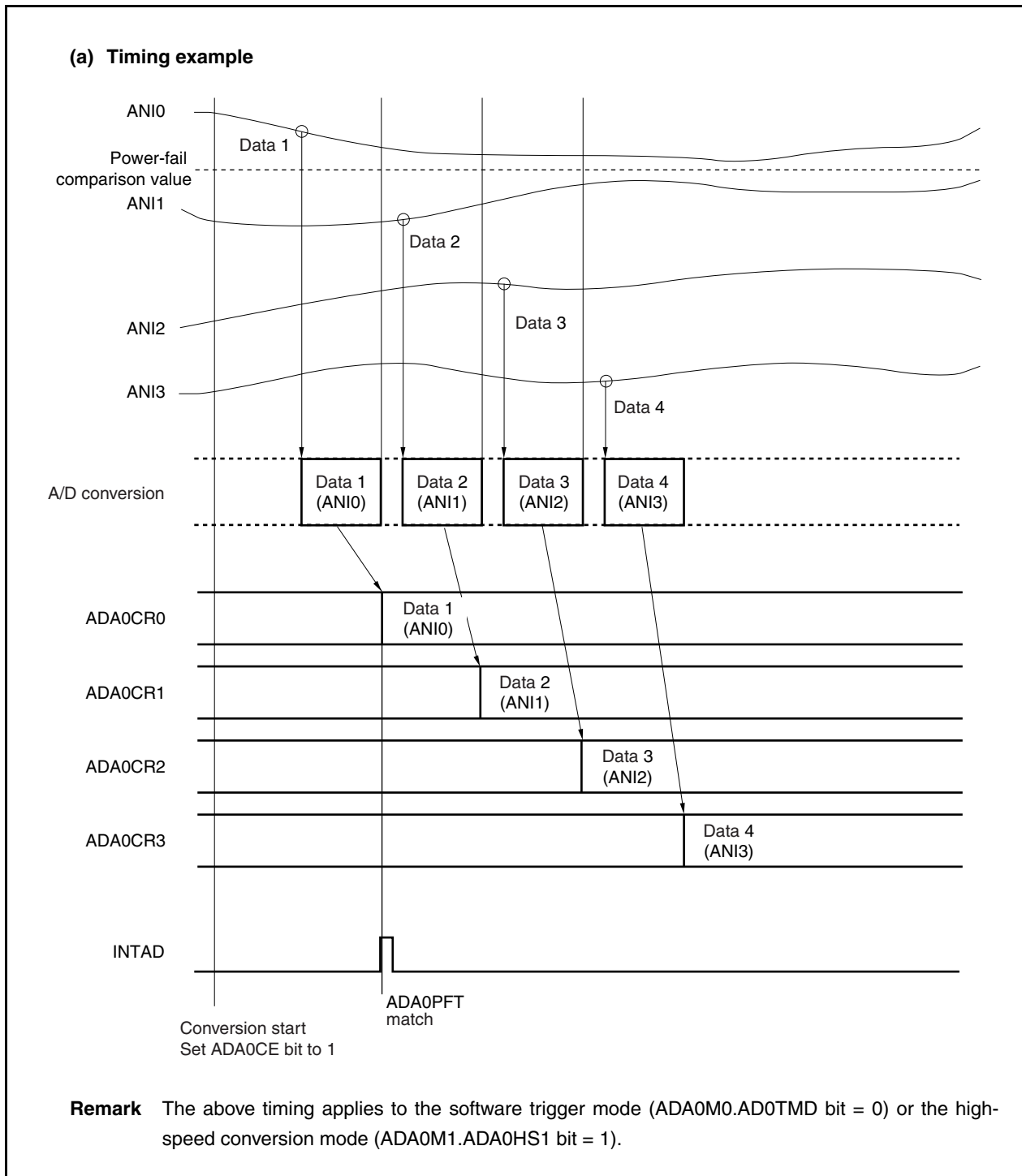
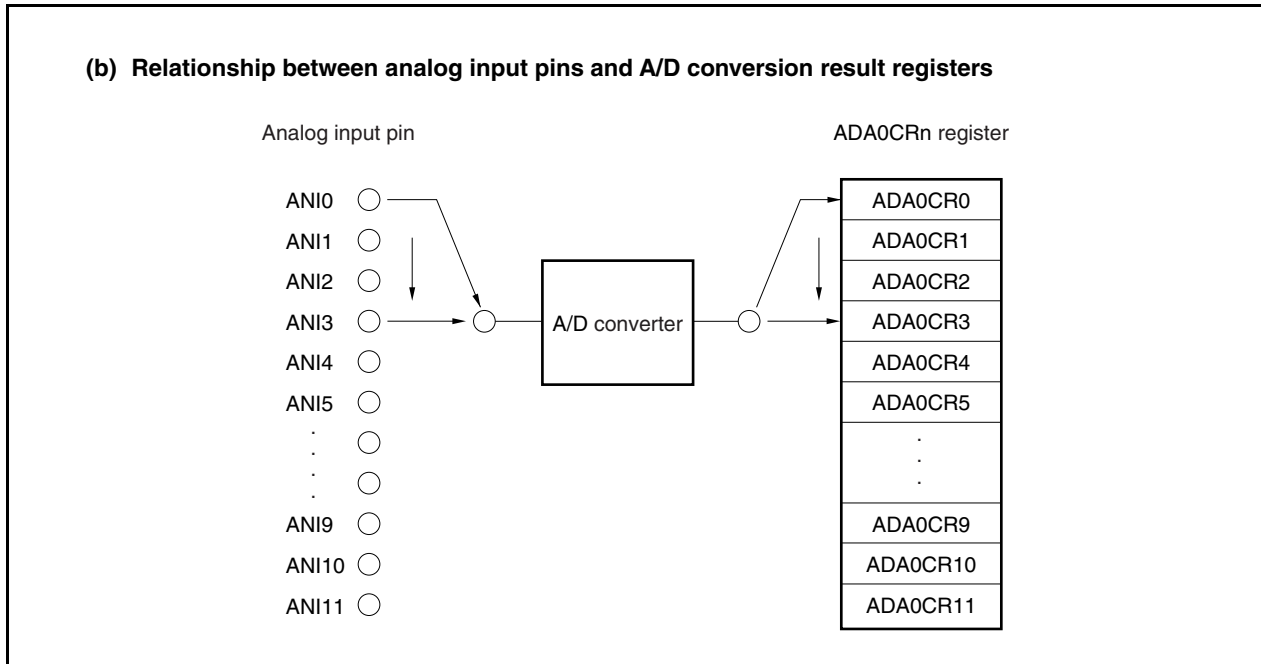


Figure 14-11. Example of Timing in One-Shot Scan Mode
 (When Power-Fail Comparison Is Made: ADA0PFM.ADA0PFC bit = 0, ADA0S Register = 03H) (2/2)



14.6 Cautions

(1) When A/D converter is not used

When the A/D converter is not used, the power consumption can be reduced by clearing the ADA0M0.ADA0CE bit to 0.

(2) Input range of ANI0 to ANI11 pins

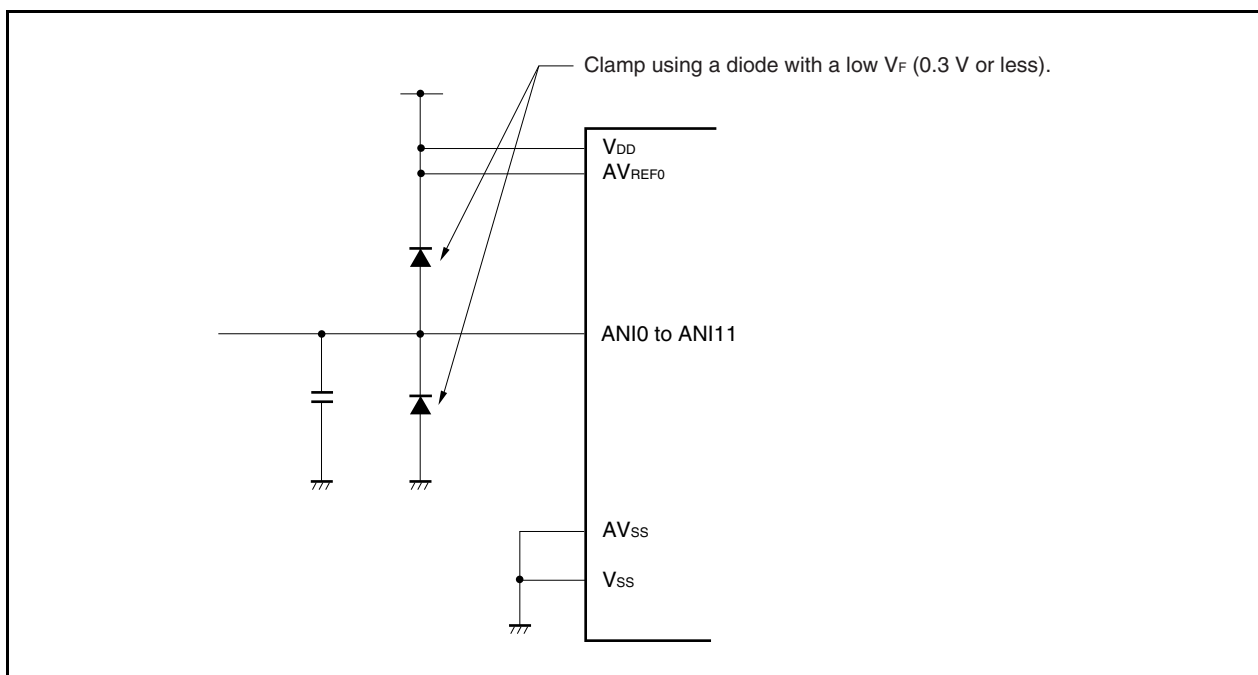
Input a voltage within the ratings to the ANI0 to ANI11 pins. If a voltage equal to or higher than AV_{REF0} or equal to or lower than AV_{SS} (even within the range of the absolute maximum ratings) is input to any of these pins, the conversion value of that channel is undefined, and the conversion value of the other channels may also be affected.

(3) Countermeasures against noise

To maintain the 10-bit resolution, the ANI0 to ANI11 pins must be effectively protected from noise. The influence of noise increases as the output impedance of the analog input source becomes higher. To lower the noise, connecting an external capacitor as shown in Figure 14-12 is recommended.

The capacitor must have a capacitance appropriate for the input signal change speed.

Figure 14-12. Handling of Analog Input Pin



(4) Alternate I/O

The analog input pins (ANI0 to ANI11) function alternately as port pins. When selecting one of the ANI0 to ANI11 pins to execute A/D conversion, do not execute an instruction to read an input port or write to an output port during conversion as the conversion resolution may drop.

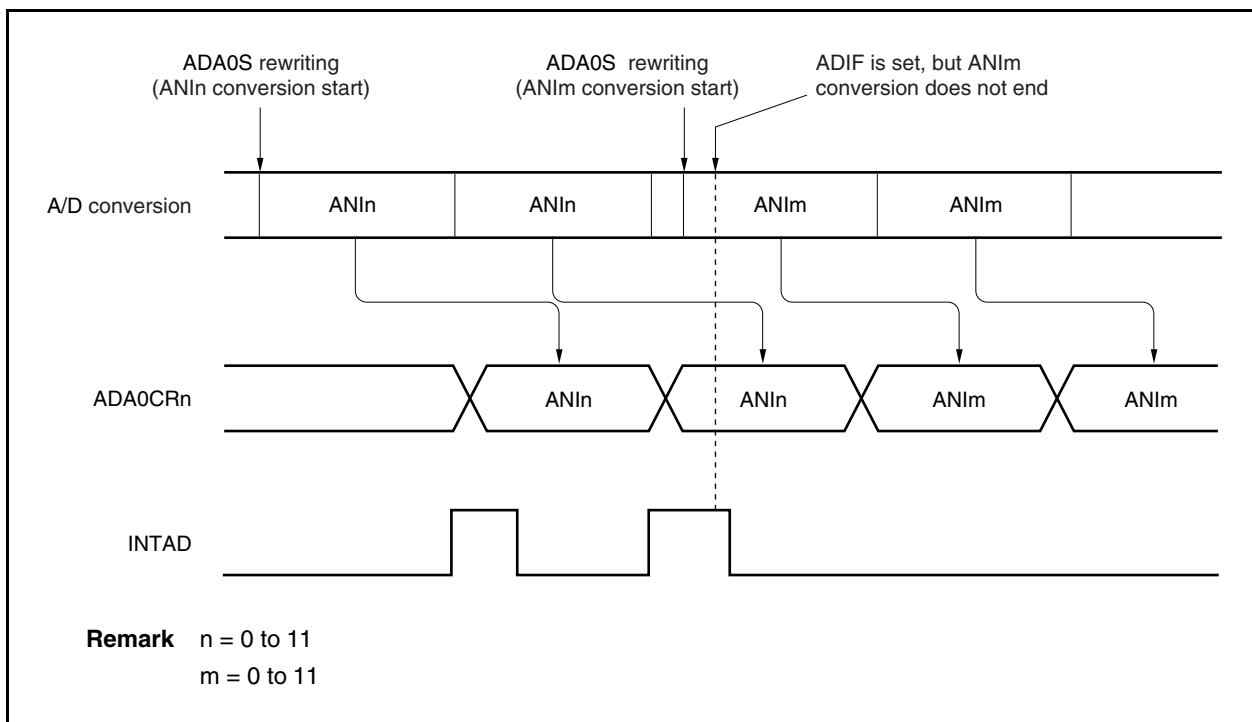
Also the conversion resolution may drop at the pins set as output port pins during A/D conversion if the output current fluctuates due to the effect of the external circuit connected to the port pins.

If a digital pulse is applied to a pin adjacent to the pin whose input signal is being converted, the A/D conversion value may not be as expected due to the influence of coupling noise. Therefore, do not apply a pulse to a pin adjacent to the pin undergoing A/D conversion.

(5) Interrupt request flag (ADIF)

The interrupt request flag (ADIF) is not cleared (0) even if the contents of the ADA0S register are changed. If the analog input pin is changed during A/D conversion, therefore, the result of converting the previously selected analog input signal may be stored and the conversion end interrupt request flag may be set (1) immediately before the ADA0S register is rewritten. If the ADIF flag is read immediately after the ADA0S register is rewritten, the ADIF flag may be set (1) even though the A/D conversion of the newly selected analog input pin has not been completed. When A/D conversion is stopped, clear (0) the ADIF flag before resuming conversion.

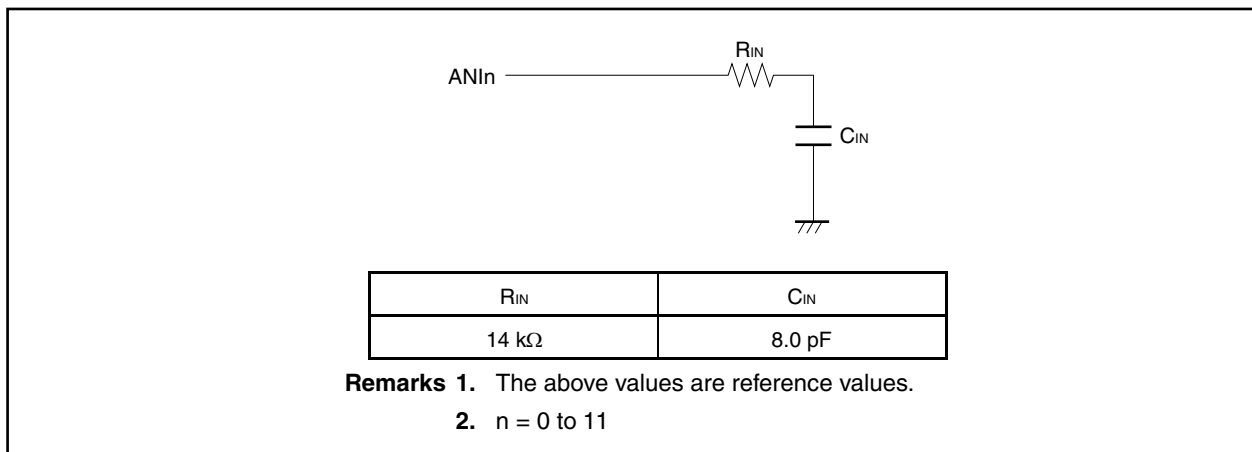
Figure 14-13. Timing of Generating A/D Conversion End Interrupt Request



(6) Internal equivalent circuit

The following shows the equivalent circuit of the analog input block.

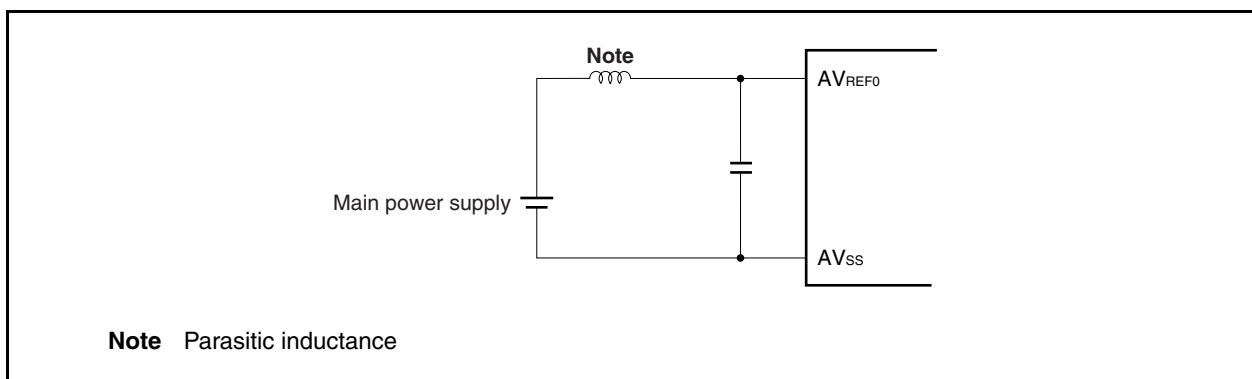
Figure 14-14. Internal Equivalent Circuit of ANIn Pin



(7) AVREF0 pin

- (a) The AVREF0 pin is used as the power supply pin of the A/D converter and also supplies power to the alternate-function ports. In an application where a backup power supply is used, be sure to supply the same voltage as VDD to the AVREF0 pin as shown in Figure 14-15.
- (b) The AVREF0 pin is also used as the reference voltage pin of the A/D converter. If the source supplying power to the AVREF0 pin has a high impedance or if the power supply has a low current supply capability, the reference voltage may fluctuate due to the current that flows during conversion (especially, immediately after the conversion enable bit ADA0CE has been set to 1). As a result, the conversion accuracy may drop. To avoid this, it is recommended to connect a capacitor across the AVREF0 and AVSS pins to suppress the reference voltage fluctuation as shown in Figure 14-15.
- (c) If the source supplying power to the AVREF0 pin has a high DC resistance, the voltage when conversion is enabled may be lower than the voltage when conversion is stopped, because of a voltage drop caused by the A/D conversion current.

Figure 14-15. Example of Handling AVREF0 Pin



(8) Reading ADA0CRn register

When the ADA0M0 to ADA0M2, ADA0S, ADA0PFM, or ADA0PFT register is written, the contents of the ADA0CRn register may be undefined. Read the conversion result after completion of conversion and before writing to the ADA0M0 to ADA0M2, ADA0S, ADA0PFM, or ADA0PFT register. Also, when an external/timer trigger is acknowledged, the contents of the ADA0CRn register may be undefined. Read the conversion result after completion of conversion and before the next external/timer trigger is acknowledged. The correct conversion result may not be read at a timing different from the above.

(9) Standby mode

Because the A/D converter stops operating in the STOP mode, power consumption can be reduced, but the conversion results will be invalid. Operations are resumed after the STOP mode is released, but the A/D conversion results after the STOP mode is released are invalid. When using the A/D converter after the STOP mode is released, before setting the STOP mode or releasing the STOP mode, clear the ADA0M0.ADA0CE bit to 0 then set the ADA0CE bit to 1 after releasing the STOP mode.

In the IDLE1, IDLE2, or subclock operation mode, operation continues. In the IDLE1 and IDLE2 modes, since the analog input voltage value cannot be retained, the A/D conversion results after the IDLE1 and IDLE2 modes are released are invalid. The results of conversions before the IDLE1 and IDLE2 modes were set are valid. To lower the power consumption, therefore, clear the ADA0M0.ADA0CE bit to 0.

(10) High-speed conversion mode

In the high-speed conversion mode, rewriting the ADA0M0, ADA0M2, ADA0S, ADA0PFM, and ADA0PFT registers and inputting a trigger during the stabilization time are prohibited.

(11) A/D conversion time

A/D conversion time is the total time of stabilization time, conversion time, wait time, and trigger response time (for details of these times, refer to **Table 14-2 Conversion Time Selection in Normal Conversion Mode (ADA0HS1 Bit = 0)** and **Table 14-3 Conversion Time Selection in High-Speed Conversion Mode (ADA0HS1 Bit = 1)**).

During A/D conversion in the normal conversion mode, if the ADA0M0, ADA0M2, ADA0S, ADA0PFM, and ADA0PFT registers are written or a trigger is input, reconversion is carried out. However, if the stabilization time end timing conflicts with writing to these registers, or if the stabilization time end timing conflicts with the trigger input, the stabilization time of 64 clocks is reinserted.

If a conflict occurs again with the reinserted stabilization time end timing, the stabilization time is reinserted. Therefore do not set the trigger input interval and control register write interval to 64 clocks or lower.

(12) Variation of A/D conversion results

The results of the A/D conversion may vary depending on the fluctuation of the supply voltage, or may be affected by noise. To reduce the variation, take countermeasures in the program such as averaging the A/D conversion results.

(13) A/D conversion result hysteresis characteristics

The successive comparison type A/D converter holds the analog input voltage in the internal sample & hold capacitor and then performs A/D conversion. After A/D conversion has finished, the analog input voltage remains in the internal sample & hold capacitor. As a result, the following phenomena may occur.

- When the same channel is used for A/D conversions, if the voltage is higher or lower than the previous A/D conversion, then hysteresis characteristics may appear where the conversion result is affected by the previous value. Thus, even if the conversion is performed at the same potential, the result may vary.
- When switching the analog input channel, hysteresis characteristics may appear where the conversion result is affected by the previous channel value. This is because one A/D converter is used for the A/D conversions. Thus, even if the conversion is performed at the same potential, the result may vary.

Therefore, to obtain a more accurate conversion result, perform A/D conversion twice successively for the same channel, and discard the first conversion result.

14.7 How to Read A/D Converter Characteristics Table

This section describes the terms related to the A/D converter.

(1) Resolution

The minimum analog input voltage that can be recognized, that is, the ratio of an analog input voltage to 1 bit of digital output is called 1 LSB (least significant bit). The ratio of 1 LSB to the full scale is expressed as %FSR (full-scale range). %FSR is the ratio of a range of convertible analog input voltages expressed as a percentage, and can be expressed as follows, independently of the resolution.

$$\begin{aligned} 1\%FSR &= (\text{Maximum value of convertible analog input voltage} - \text{Minimum value of convertible analog input voltage})/100 \\ &= (AV_{REF0} - 0)/100 \\ &= AV_{REF0}/100 \end{aligned}$$

When the resolution is 10 bits, 1 LSB is as follows:

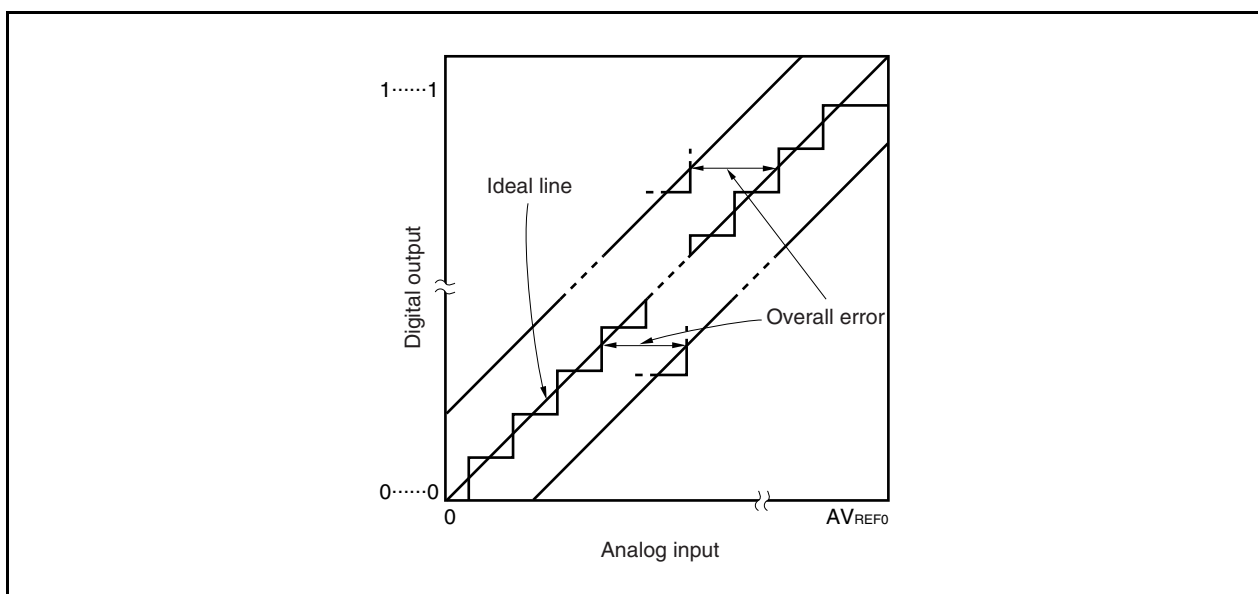
$$\begin{aligned} 1 \text{ LSB} &= 1/2^{10} = 1/1,024 \\ &= 0.098\%FSR \end{aligned}$$

The accuracy is determined by the overall error, independently of the resolution.

(2) Overall error

This is the maximum value of the difference between an actually measured value and a theoretical value. It is a total of zero-scale error, full-scale error, linearity error, and a combination of these errors. The overall error in the characteristics table does not include the quantization error.

Figure 14-16. Overall Error

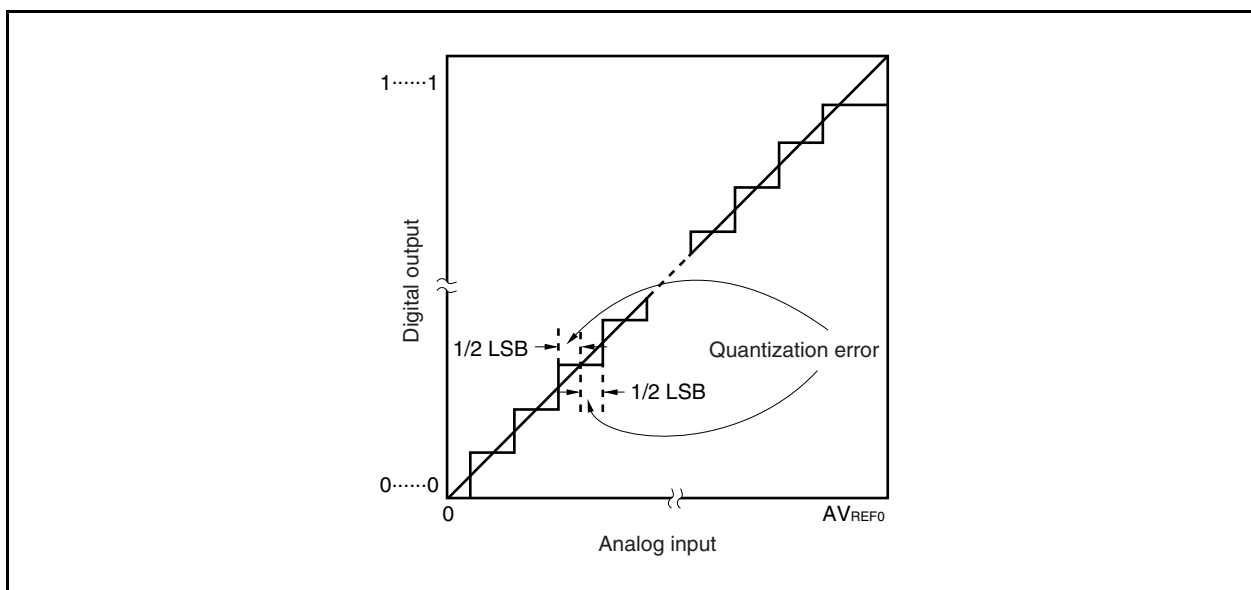


(3) Quantization error

This is an error of $\pm 1/2$ LSB that inevitably occurs when an analog value is converted into a digital value. Because the A/D converter converts analog input voltages in a range of $\pm 1/2$ LSB into the same digital codes, a quantization error is unavoidable.

This error is not included in the overall error, zero-scale error, full-scale error, integral linearity error, or differential linearity error in the characteristics table.

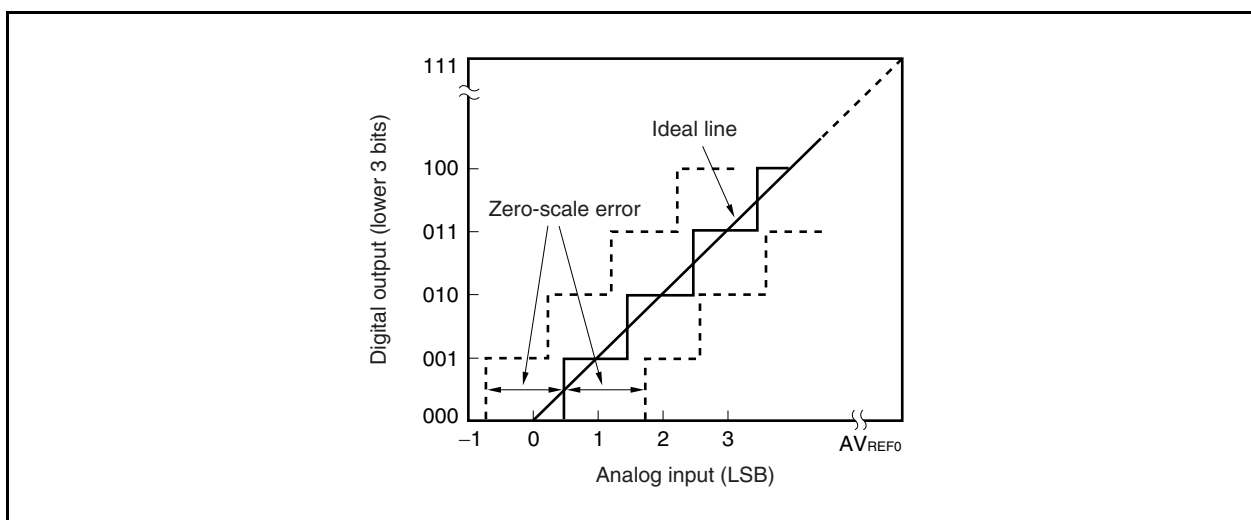
Figure 14-17. Quantization Error



(4) Zero-scale error

This is the difference between the actually measured analog input voltage and its theoretical value when the digital output changes from 0...000 to 0...001 (1/2 LSB).

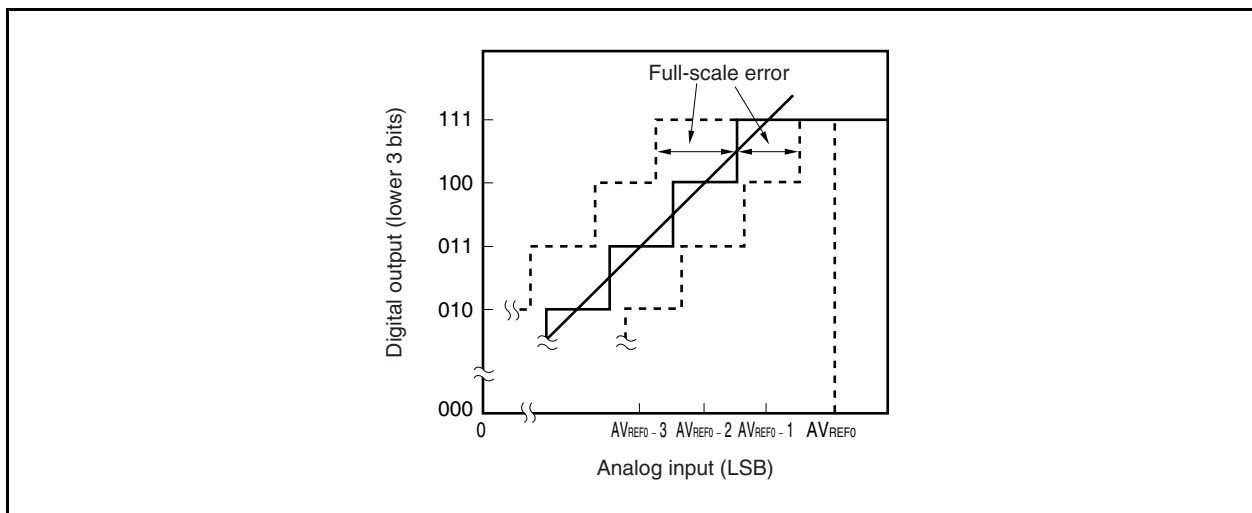
Figure 14-18. Zero-Scale Error



(5) Full-scale error

This is the difference between the actually measured analog input voltage and its theoretical value when the digital output changes from 1...110 to 1...111 (full scale - 3/2 LSB).

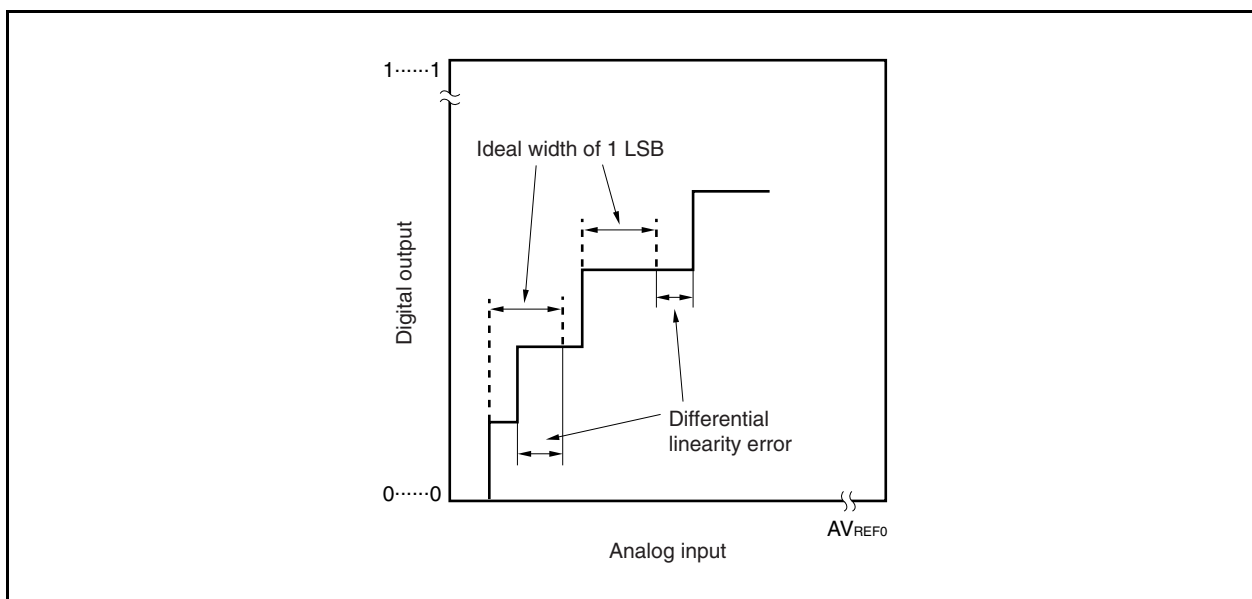
Figure 14-19. Full-Scale Error



(6) Differential linearity error

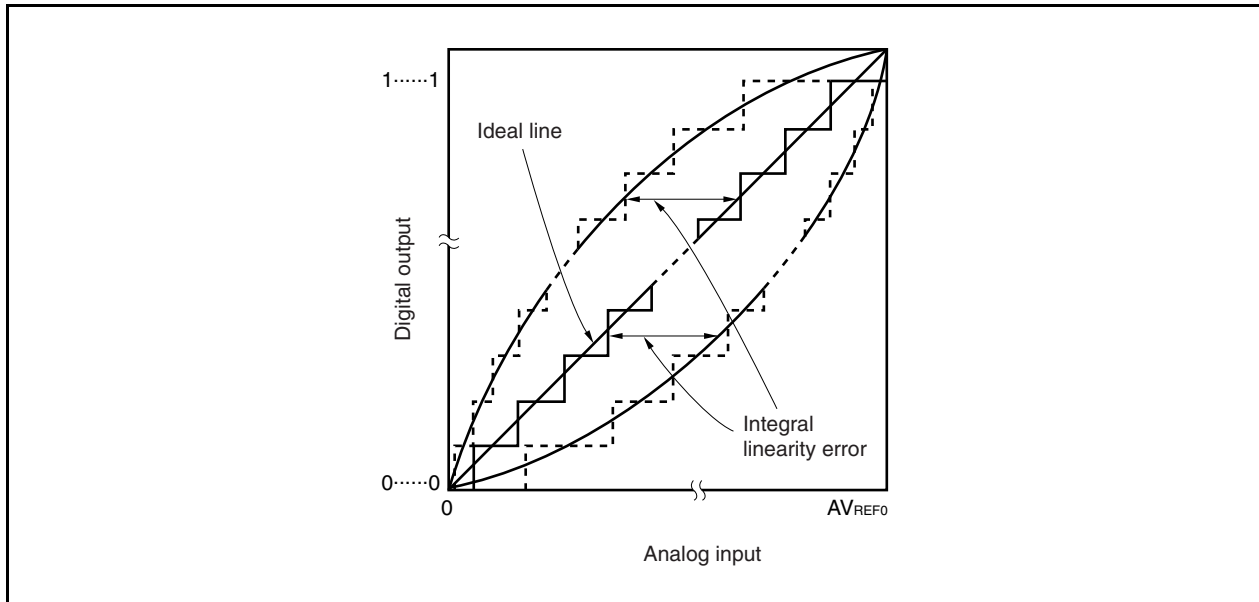
Ideally, the width to output a specific code is 1 LSB. This error indicates the difference between the actually measured value and its theoretical value when a specific code is output. This indicates the basic characteristics of the A/D conversion when the voltage applied to the analog input pins of the same channel is consistently increased bit by bit from AV_{SS} to AV_{REF0} . When the input voltage is increased or decreased, or when two or more channels are used, see 14.7 (2) Overall error.

Figure 14-20. Differential Linearity Error



(7) Integral linearity error

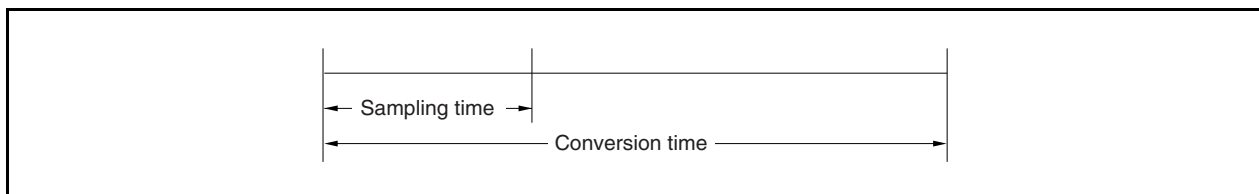
This error indicates the extent to which the conversion characteristics differ from the ideal linear relationship. It indicates the maximum value of the difference between the actually measured value and its theoretical value where the zero-scale error and full-scale error are 0.

Figure 14-21. Integral Linearity Error**(8) Conversion time**

This is the time required to obtain a digital output after sampling has started. The conversion time in the characteristics table includes the sampling time.

(9) Sampling time

This is the time for which the analog switch is ON to load an analog voltage to the sample & hold circuit.

Figure 14-22. Relationship Between Conversion Time and Sampling Time

CHAPTER 15 D/A CONVERTER

15.1 Functions

In the V850ES/JG3-L, two R-2R ladder type D/A converter channels are provided (DA0CS0 and DA0CS1). The D/A converter has the following functions.

- 8-bit resolution × 2 channels
- R-2R ladder method
- Conversion time: 3 μ s (MAX.) (when AV_{REF1} = 2.7 to 3.6 V, external load = 20 pF)
- Analog output voltage: $AV_{REF1} \times m/256$ (m = 0 to 255; value set to DA0CSn register)
- Operation modes: Normal mode, real-time output mode

Remark n = 0, 1

15.2 Configuration

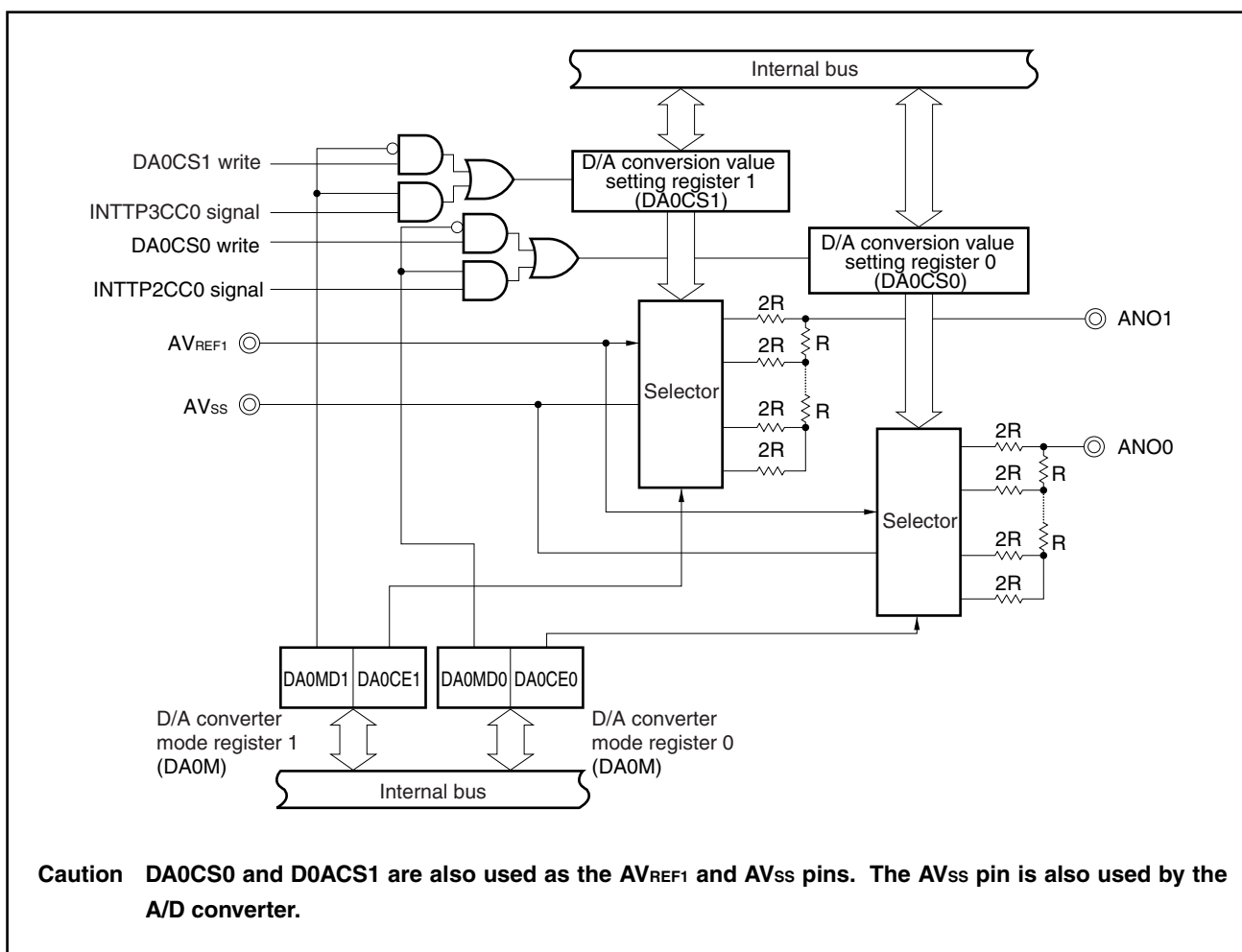
The D/A converter includes the following hardware.

Table 15-1. D/A Converter Registers Used by Software

Item	Configuration
Control registers	D/A converter mode register (DA0M) D/A conversion value setting registers 0 and 1 (DA0CS0, DA0CS1)

The block diagram of the D/A converter is shown below.

Figure 15-1. Block Diagram of D/A Converter



15.3 Registers

The registers that control the D/A converter are as follows.

- D/A converter mode register (DA0M)
- D/A conversion value setting registers 0, 1 (DA0CS0, DA0CS1)

(1) D/A converter mode register (DA0M)

The DA0M register controls the operation of the D/A converter.

This register can be read or written in 8-bit or 1-bit units.

Reset sets this register to 00H.

After reset: 00H R/W Address: FFFFF282H

	7	6	<5>	<4>	3	2	1	0
DA0M	0	0	DA0CE1	DA0CE0	0	0	DA0MD1	DA0MD0

DA0CEn	D/A converter operation enable/disable (n = 0, 1)
0	Disables operation
1	Enables operation

DA0MDn	Selection of D/A converter operation mode (n = 0, 1)
0	Normal mode
1	Real-time output mode ^{Note}

Note The output trigger in the real-time output mode (DA0MDn bit = 1) is as follows.

- When n = 0: INTTP2CC0 signal (see **CHAPTER 7 16-BIT TIMER/EVENT COUNTER P (TMP)**)
- When n = 1: INTTP3CC0 signal (see **CHAPTER 7 16-BIT TIMER/EVENT COUNTER P (TMP)**)

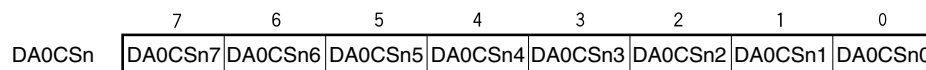
(2) D/A conversion value setting registers 0, 1 (DA0CS0, DA0CS1)

The DA0CS0 and DA0CS1 registers set the analog voltage value output to the ANO0 and ANO1 pins.

These registers can be read or written in 8-bit units.

Reset sets these registers to 00H.

After reset: 00H R/W Address: DA0CS0 FFFFF280H, DA0CS1 FFFFF281H



Caution In the real-time output mode (DA0M.DA0MDn bit = 1), set the DA0CSn register before the INTTP2CC0/INTTP3CC0 signal is generated. D/A conversion starts when the INTTP2CC0/INTTP3CC0 signal is generated.

Remark n = 0, 1

15.4 Operation

15.4.1 Operation in normal mode

D/A conversion is performed using a write operation to the DA0CSn register as the trigger. The setting method is described below.

- <1> Set the PM1n bit to 1 (input mode).
- <2> Clear the DA0M.DA0MDn bit to 0 (normal mode).
- <3> Set the analog voltage value to be output to the ANOn pin to the DA0CSn register.
Steps <2> and <3> above constitute the initial settings.
- <4> Set the DA0M.DA0CEn bit to 1 (D/A conversion enable).
The D/A converted analog voltage value is output from the ANOn pin when this setting is performed.
- <5> To change the analog voltage value, write to the DA0CSn register.
The analog voltage value set immediately before is held until the next write operation is performed.

- Remarks 1.** For the alternate-function pin settings, refer to **Table 4-15 Settings When Pins Are Used for Alternate Functions.**
- 2.** n = 0, 1

15.4.2 Operation in real-time output mode

D/A conversion is performed using the interrupt request signal of TMP2 or TMP3 (INTTP2CC0 or INTTP3CC0) as the trigger.

The setting method is described below.

- <1> Set the PM1n bit to 1 (input mode).
- <2> Set the DA0M.DA0MDn bit to 1 (real-time output mode).
- <3> Set the analog voltage value to be output to the ANOn pin to the DA0CSn register.
- <4> Set the DA0M.DA0CEn bit to 1 (D/A conversion enable).
Steps <2> to <4> above constitute the initial settings.
- <5> Operate TMP2 and TMP3.
- <6> The D/A converted analog voltage value is output from the ANOn pin when the INTTP2CC0 or INTTP3CC0 signal is generated.
Set the analog voltage value to be output to the DA0CSn register next, before the next INTTP2CC0 or INTTP3CC0 signal is generated.
- <7> After that, the value set to the DA0CSn register is output from the ANOn pin every time the INTTP2CC0 or INTTP3CC0 signal is generated.

- Remarks 1.** The output values of the ANO0 and ANO1 pins up to <6> above are undefined.
- 2.** For the output values of the ANO0 and ANO1 pins in the IDLE1, IDLE2, HALT, and STOP modes, refer to **CHAPTER 24 STANDBY FUNCTION.**
- 3.** n = 0, 1

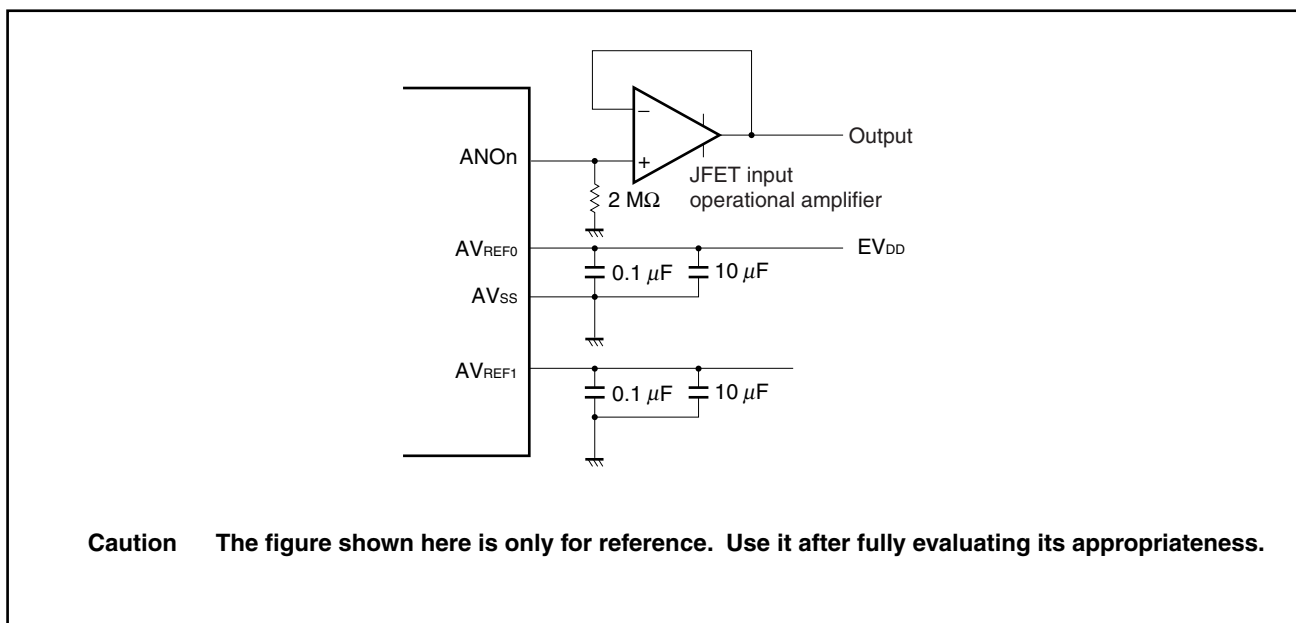
15.4.3 Cautions

Observe the following cautions when using the D/A converter.

- (1) Set the port pins to the input mode (PM1n bit = 1).
- (2) Do not read or write the P1 register during D/A conversion.
- (3) When using one of the P10/ANO0 and P11/ANO1 pins as an I/O port pin and the other as a D/A output pin, do so in an application where the port I/O level does not change during D/A output.
- (4) In the real-time output mode, avoid a conflict between writing the DA0CSn register by software and trigger signal output, which can occur by writing the DA0CSn register while the interrupt requested by the selected trigger signal is being serviced.
- (5) Make sure that $AV_{REF1} \leq V_{DD}$ and $AV_{REF1} = 2.7$ to 3.6 V. The operation is not guaranteed if ranges other than the above are used.
- (6) Turn on or off AV_{REF1} at the same time as turning on or off AV_{REF0} .
- (7) Because the output impedance of the D/A converter is high, a current cannot be supplied from the ANOn pin. When connecting a resistor of $2\text{ M}\Omega$ or lower, take appropriate measures such as inserting a JFET input type operational amplifier between the resistor and the ANOn pin.

Remark n = 0, 1

Figure 15-2. Example of External Pin Connection



- (8) Because the D/A converter stops operating in the STOP mode, the ANO0 and ANO1 pins go into a high-impedance state, and the power consumption can be reduced.

In the IDLE1, IDLE2, or subclock operation mode, however, the D/A converter continues operating. To lower the power consumption, therefore, clear the DA0M.DA0CEn bit to 0.

CHAPTER 16 ASYNCHRONOUS SERIAL INTERFACE A (UARTA)

The V850ES/JG3-L have 6-channels UARTA.

16.1 Features

- On-chip dedicated baud rate generator
- Transfer rate: 300 bps to 625 kbps (using dedicated baud rate generator)
- Full-duplex communication
- Double buffer configuration Internal UARTAn receive data register (UAnRX)
Internal UARTAn transmit data register (UAnTX)
- Reception error detection function
 - Parity error
 - Framing error
 - Overrun error
- Interrupt sources: 2
 - Reception complete interrupt (INTUAnR): This interrupt occurs upon transfer of receive data from the receive shift register to the receive data register after serial transfer completion, in the reception enabled status.
 - Transmission enable interrupt (INTUAnT): This interrupt occurs upon transfer of transmit data from the transmit data register to the transmit shift register in the transmission enabled status. (Continuous transmission is possible.)
- Character length: 7, 8 bits
- Parity function: Odd, even, 0, none
- Transmission stop bit: 1, 2 bits
- MSB-/LSB-first transfer selectable
- Internal digital noise filter
- Inverted input/output of transmit/receive data possible
- SBF (Sync Break Field) transmission/reception in the LIN (Local Interconnect Network) communication format
 - 13 to 20 bits selectable for SBF transmission
 - Recognition of 11 bits or more possible for SBF reception
 - SBF reception flag provided

Remark n = 0 to 5

16.2 Configuration

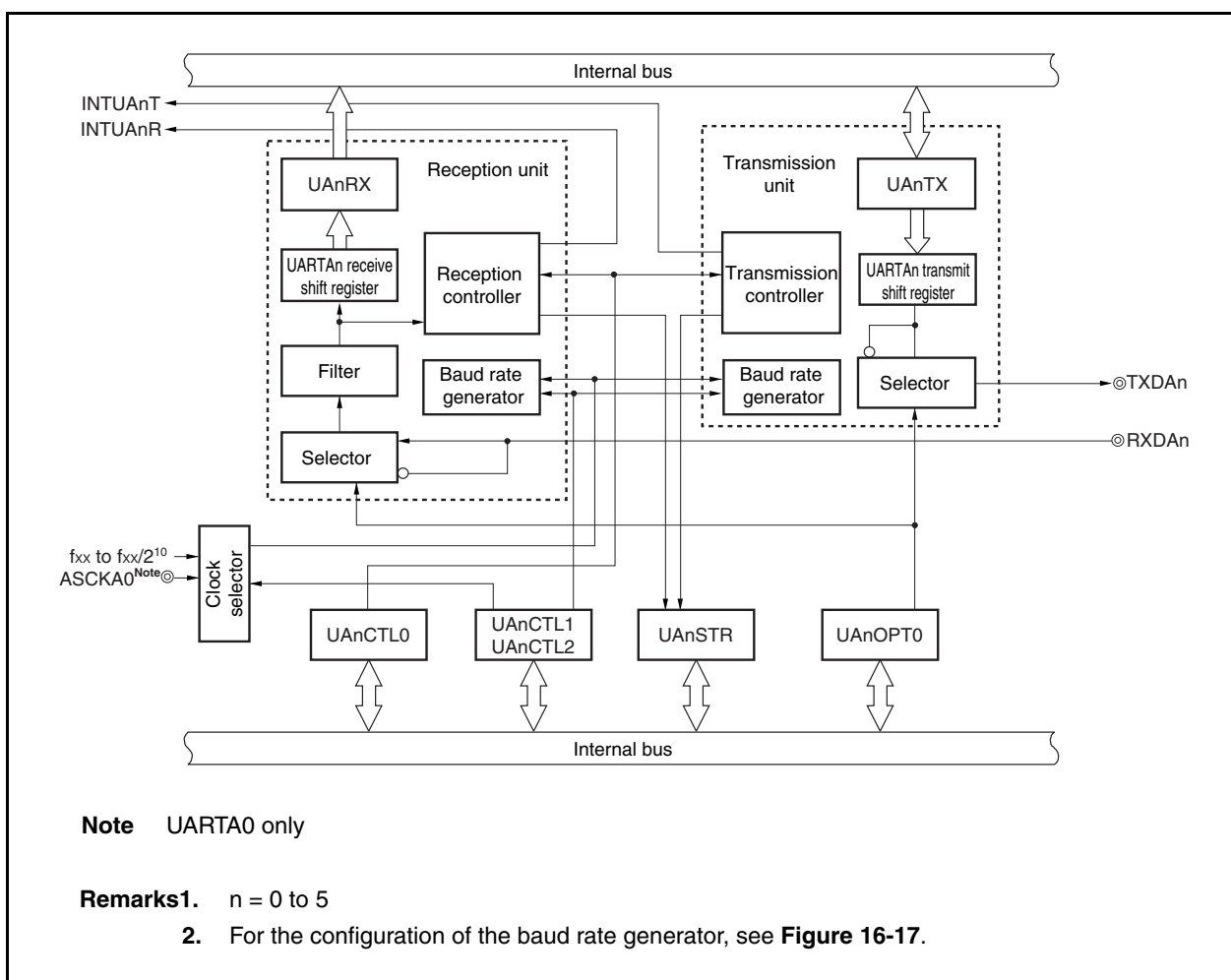
UARTAn includes the following hardware.

Table 16-1. Configuration of UARTAn

Item	Configuration
Registers	UARTAn control register 0 (UAnCTL0) UARTAn control register 1 (UAnCTL1) UARTAn control register 2 (UAnCTL2) UARTAn option control register 0 (UAnOPT0) UARTAn status register (UAnSTR) UARTAn receive shift register UARTAn receive data register (UAnRX) UARTAn transmit shift register UARTAn transmit data register (UAnTX)

The block diagram of the UARTAn is shown below.

Figure 16-1. Block Diagram of UARTAn



(1) UARTAn control register 0 (UAnCTL0)

The UAnCTL0 register is an 8-bit register used to specify the operation of UARTAn.

(2) UARTAn control register 1 (UAnCTL1)

The UAnCTL1 register is an 8-bit register used to select the base clock (f_{CLK}) for UARTAn.

(3) UARTAn control register 2 (UAnCTL2)

The UAnCTL2 register is an 8-bit register used with the UAnCTL1 register to generate the baud rate for UARTAn.

(4) UARTAn option control register 0 (UAnOPT0)

The UAnOPT0 register is an 8-bit register used to control SBF transmission/reception in the LIN communication format and the level of the transmission/reception signals for the UARTAn.

(5) UARTAn status register (UAnSTR)

The UAnSTR register is an 8-bit register that indicates the contents of a reception error. Each one of the reception error flags is set (to 1) upon the occurrence of a reception error.

(6) UARTAn receive shift register

This is a shift register used to convert the serial data input to the RXDAn pin into parallel data. Upon reception of 1-character data and detection of the stop bit, the receive data is transferred to the UAnRX register.

This register cannot be manipulated directly.

(7) UARTAn receive data register (UAnRX)

The UAnRX register is an 8-bit buffer register that holds receive data.

In the reception enabled status, receive data is transferred from the UARTAn receive shift register to the UAnRX register in synchronization with the completion of shift-in processing of 1 character.

Transfer to the UAnRX register also causes the reception complete interrupt request signal (INTUAnR) to be output.

(8) UARTAn transmit shift register

The transmit shift register is a shift register used to convert the parallel data transferred from the UAnTX register into serial data.

When 1-character data is transferred from the UAnTX register, the shift register data is output from the TXDAn pin.

This register cannot be manipulated directly.

(9) UARTAn transmit data register (UAnTX)

The UAnTX register is an 8-bit transmit data buffer. Transmission starts when transmit data is written to the UAnTX register. When data can be written to the UAnTX register (when 1-character data is transferred from the UAnTX register to the UARTAn transmit shift register), the transmission enable interrupt request signal (INTUAnT) is generated.

16.2.1 Pin functions of each channel

The RXDAn, TXDAn, and ASCKA0 pins used by UARTA in the V850ES/JG3-L are used for other functions as shown in Table 16-2. To use these pins for UARTA, set the related registers as described in **Table 4-15 Settings When Pins Are Used for Alternate Functions**.

Table 16-2. Pins Used by UARTA

Channel	Pin No.		Port	UARTA Reception Input	UARTA Transmission Output	UARTA Clock I/O ^{Note}	Other Functions
	GC	F1					
UARTA0	26	K3	P31	RXDA0	–	–	INTP7/SIB4
	25	L3	P30	–	TXDA0	–	SOB4
	27	L4	P32	–	–	ASCKA0 ^{Note}	SCKB4/TIP00/TOP00
UARTA1	44	L9	P91	RXDA1	–	–	KR7/SCL02
	43	H8	P90	–	TXDA1	–	KR6/SDA02
UARTA2	36	H7	P39	RXDA2	–	–	SCL00
	35	H6	P38	–	TXDA2	–	SDA00
UARTA3	32	J6	P37	RXDA3	–	–	–
	31	H5	P36	–	TXDA3	–	–
UARTA4	46	J9	P93	RXDA4	–	–	TIP40/TOP40
	45	K9	P92	–	TXDA4	–	TIP41/TOP41
UARTA5	48	K10	P95	RXDA5	–	–	TIP30/TOP30
	47	L10	P94	–	TXDA5	–	TIP31/TOP31

Note The ASCKA0 function is provided only for UARTA0.

Caution Other than alternate function pins above, INTUA5T interrupt of UART5 and INTP3CC1 interrupt of TMP3, and INTUA5R interrupt of UART5 and INTP3OV interrupt of TMP3 are alternate interrupt signals and therefore cannot be used simultaneously.

Remark GC: 100-pin plastic LQFP (fine pitch) (14 × 14)
F1: 121-pin plastic FBGA (8 × 8)

16.3 Mode Switching of UARTA and Other Serial Interfaces

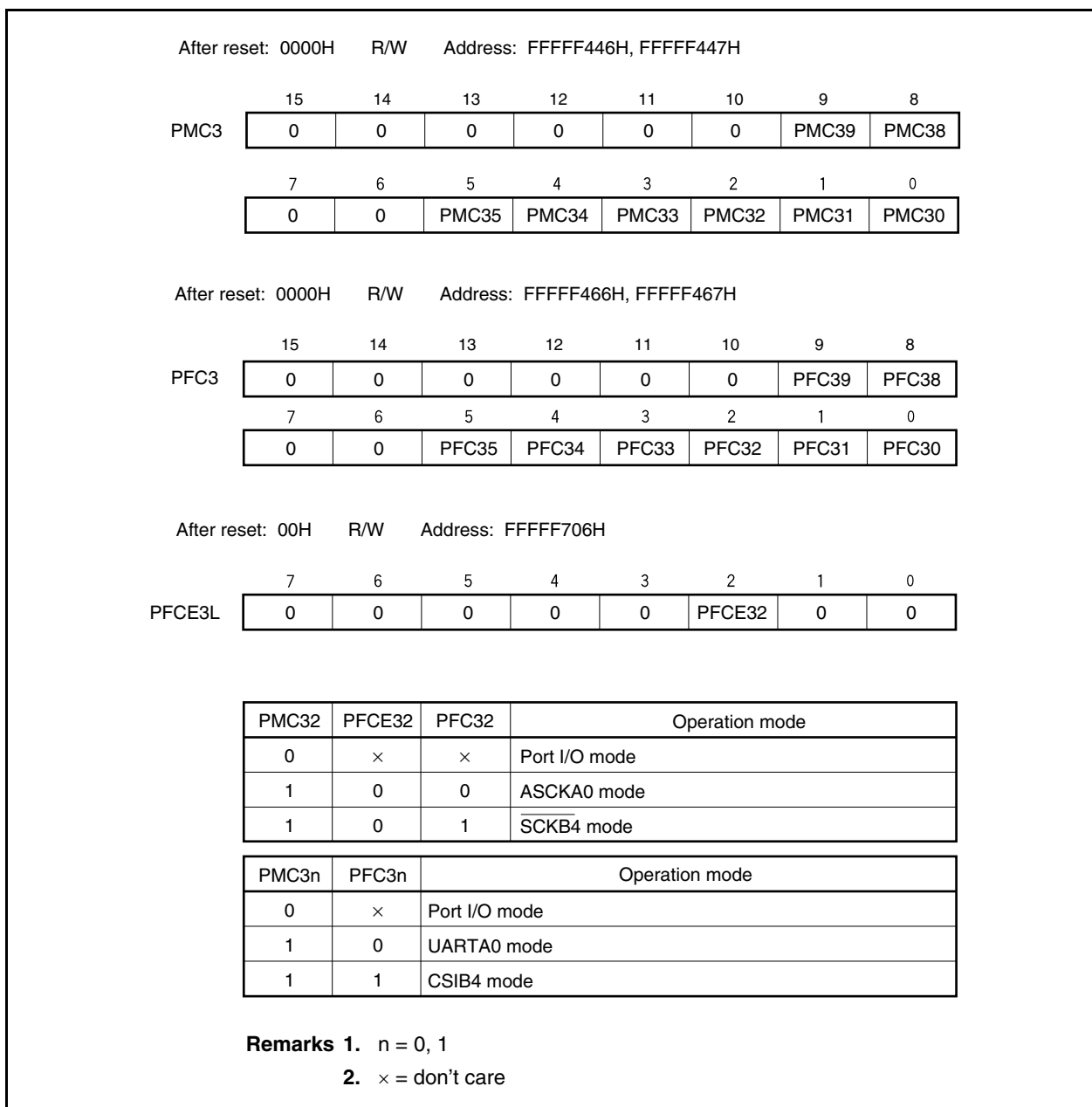
16.3.1 UARTA0 and CSIB4 mode switching

In the V850ES/JG3-L, UARTA0 and CSIB4 share pins and therefore cannot be used simultaneously. To use the UARTA0 function, specify the UARTA0 mode in advance by using the PMC3, PFC3, and PFCE3 registers.

Switching the operation mode between UARTA0 and CSIB4 is described below.

Caution Transmission and reception by UARTA0 and CSIB4 are not guaranteed if these operation modes are switched during transmission or reception. Be sure to stop the serial interface that is not being used.

Figure 16-2. Switching UARTA0 and CSIB4 Operation Modes



16.3.2 UARTA1 and I²C02 mode switching

In the V850ES/JG3-L, UARTA1 and I²C02 share pins and therefore cannot be used simultaneously. To use the UARTA1 function, specify the UARTA1 mode in advance by using the PMC9, PFC9, and PFCE9 registers.

Switching the operation mode between UARTA1 and I²C02 are described below.

Caution Transmission and reception by UARTA1 and I²C02 are not guaranteed if these operation modes are switched during transmission or reception. Be sure to stop the serial interface that is not being used.

Figure 16-3. Switching UARTA1 and I²C02 Operation Modes

After reset: 0000H				R/W	Address: FFFFF452H, FFFFF453H			
PMC9	15	14	13	12	11	10	9	8
	PMC915	PMC914	PMC913	PMC912	PMC911	PMC910	PMC99	PMC98
	7	6	5	4	3	2	1	0
	PMC97	PMC96	PMC95	PMC94	PMC93	PMC92	PMC91	PMC90
After reset: 0000H				R/W	Address: FFFFF472H, FFFFF473H			
PFC9	15	14	13	12	11	10	9	8
	PFC915	PFC914	PFC913	PFC912	PFC911	PFC910	PFC99	PFC98
	7	6	5	4	3	2	1	0
	PFC97	PFC96	PFC95	PFC94	PFC93	PFC92	PFC91	PFC90
After reset: 0000H				R/W	Address: FFFFF712H, FFFFF713H			
PFCE9	15	14	13	12	11	10	9	8
	PFCE915	PFCE914	0	0	0	0	0	0
	7	6	5	4	3	2	1	0
	PFCE97	PFCE96	PFCE95	PFCE94	PFCE93	PFCE92	PFCE91	PFCE90
	PMC9n	PFCE9n	PFC9n	Operation mode				
	1	1	0	UARTA1 mode				
	1	1	1	I ² C02 mode				
Remark n = 0, 1								

16.3.3 UARTA2 and I²C00 mode switching

In the V850ES/JG3-L, UARTA2 and I²C00 share pins and therefore cannot be used simultaneously. To use the UARTA2 function, specify the UARTA2 mode in advance by using the PMC3 and PFC3 registers.

Switching the operation mode between UARTA2 and I²C00 are described below.

Caution Transmission and reception by UARTA2 and I²C00 are not guaranteed if these operation modes are switched during transmission or reception. Be sure to stop the serial interface that is not being used.

Figure 16-4. Switching UARTA2 and I²C00 Operation Modes

After reset: 0000H								R/W	Address: FFFFF446H, FFFFF447H							
PMC3	15	14	13	12	11	10	9	8								
	0	0	0	0	0	0	PMC39	PMC38								
	7	6	5	4	3	2	1	0								
	0	0	PMC35	PMC34	PMC33	PMC32	PMC31	PMC30								
After reset: 0000H								R/W	Address: FFFFF466H, FFFFF467H							
PFC3	15	14	13	12	11	10	9	8								
	0	0	0	0	0	0	PFC39	PFC38								
	7	6	5	4	3	2	1	0								
	0	0	PFC35	PFC34	PFC33	PFC32	PFC31	PFC30								
	PMC3n	PFC3n	Operation mode													
	0	×	Port I/O mode													
	1	0	UARTA2 mode													
	1	1	I ² C00 mode													
Remarks																
1. n = 8, 9																
2. × = don't care																

16.4 Registers

(1) UARTAn control register 0 (UAnCTL0)

The UAnCTL0 register is an 8-bit register that controls the UARTAn serial transfer operation.

This register can be read or written in 8-bit or 1-bit units.

Reset sets this register to 10H.

(1/2)

After reset: 10H		R/W	Address: UA0CTL0 FFFFFFFA00H, UA1CTL0 FFFFFFFA10H, UA2CTL0 FFFFFFFA20H, UA3CTL0 FFFFFFFA30H, UA4CTL0 FFFFFFFA40H, UA5CTL0 FFFFFFFA50H					
UAnCTL0	<7>	<6>	<5>	<4>	3	2	1	0
(n = 0 to 5)	UAnPWR	UAnTXE	UAnRXE	UAnDIR	UAnPS1	UAnPS0	UAnCL	UAnSL
UAnPWR	UARTAn operation control							
0	Disable UARTAn operation (UARTAn reset asynchronously)							
1	Enable UARTAn operation							
The UARTAn operation is controlled by the UAnPWR bit. The TXDAn pin output is fixed to high level by clearing the UAnPWR bit to 0 (fixed to low level if UAnOPT0.UAnTDL bit = 1).								
UAnTXE	Transmission operation enable							
0	Disable transmission operation							
1	Enable transmission operation							
<ul style="list-style-type: none"> To start transmission, set the UAnPWR bit to 1 and then set the UAnTXE bit to 1. To stop transmission, clear the UAnTXE bit to 0 and then UAnPWR bit to 0. To initialize the transmission unit, clear the UAnTXE bit to 0, wait for two cycles of the base clock, and then set the UAnTXE bit to 1 again. Otherwise, initialization may not be executed (for the base clock, see 16.7 (1) (a) Base clock). When UARTAn operation is enabled (UAnPWR bit = 1) and the UAnTXE bit is set to 1, transmission is enabled after at least two cycles of the base clock (f_{UCLK}) have elapsed. 								
UAnRXE	Reception operation enable							
0	Disable reception operation							
1	Enable reception operation							
<ul style="list-style-type: none"> To start reception, set the UAnPWR bit to 1 and then set the UAnRXE bit to 1. To stop reception, clear the UAnRXE bit to 0 and then UAnPWR bit to 0. To initialize the reception unit, clear the UAnRXE bit to 0, wait for two cycles of the base clock, and then set the UAnRXE bit to 1 again. Otherwise, initialization may not be executed (for the base clock, see 16.7 (1) (a) Base clock). When UARTAn operation is enabled (UAnPWR bit = 1) and the UAnRXE bit is set to 1, reception is enabled after at least two cycles of the base clock (f_{UCLK}) have elapsed. If a start bit is received before reception is enabled, the start bit is ignored. 								

(2/2)

UAnDIR	Data transfer order
0	MSB first
1	LSB first

- This register can be rewritten only when the UAnPWR bit is 0 or the UAnTXE bit and the UAnRXE bit are 0.
- When transmission and reception are performed in the LIN format, set the UAnDIR bit to 1.

UAnPS1	UAnPS0	Parity selection during transmission	Parity selection during reception
0	0	No parity output	Reception with no parity
0	1	0 parity output	Reception with 0 parity
1	0	Odd parity output	Odd parity check
1	1	Even parity output	Even parity check

- This register is rewritten only when the UAnPWR bit is 0 or the UAnTXE bit and the UAnRXE bit are 0.
- If “Reception with 0 parity” is selected during reception, a parity check is not performed. Therefore, the UAnSTR.UAnPE bit is not set.
- When transmission and reception are performed in the LIN format, clear the UAnPS1 and UAnPS0 bits to 00.

UAnCL	Specification of data character length of 1 frame of transmit/receive data
0	7 bits
1	8 bits

- This register can be rewritten only when the UAnPWR bit is 0 or the UAnTXE bit and the UAnRXE bit are 0.
- When transmission and reception are performed in the LIN format, set the UAnCL bit to 1.

UAnSL	Specification of length of stop bit for transmit data
0	1 bit
1	2 bits

This register can be rewritten only when the UAnPWR bit is 0 or the UAnTXE bit and the UAnRXE bit are 0.

Remark For details of parity, see **16.6.6 Parity types and operations**.

(2) UARTAn control register 1 (UAnCTL1)

For details, see **16.7 (2) UARTAn control register 1 (UAnCTL1)**.

(3) UARTAn control register 2 (UAnCTL2)

For details, see **16.7 (3) UARTAn control register 2 (UAnCTL2)**.

(4) UARTAn option control register 0 (UAnOPT0)

The UAnOPT0 register is an 8-bit register used to control SBF transmission/reception in the LIN communication format and the level of the transmission/reception signals for the UARTAn.

This register can be read or written in 8-bit or 1-bit units.

Reset sets this register to 14H.

(1/2)

After reset: 14H R/W Address: UA0OPT0 FFFFFFFA03H, UA1OPT0 FFFFFFFA13H,
 UA2OPT0 FFFFFFFA23H, UA3OPT0 FFFFFFFA33H,
 UA4OPT0 FFFFFFFA43H, UA5OPT0 FFFFFFFA53H

	<7>	6	5	4	3	2	1	0
UAnOPT0 (n = 0 to 5)	UAnSRF	UAnSRT	UAnSTT	UAnSLS2	UAnSLS1	UAnSLS0	UAnTDL	UAnRDL

UAnSRF	SBF reception flag
0	The UAnCTL0.UAnPWR bit or the UAnCTL0.UAnRXE bit is set to 0, or SBF reception ends normally.
1	During SBF reception
<ul style="list-style-type: none"> • This bit indicates whether SBF (Sync Brake Field) is received in LIN communication. • When an SBF reception error occurs, the UAnSRF bit remains 1 and SBF reception is started again. • The UAnSRF bit is a read-only bit. 	

UAnSRT	SBF reception trigger
0	-
1	SBF reception trigger
<ul style="list-style-type: none"> • This is the SBF reception trigger bit during LIN communication, and is always 0 when read. • For SBF reception, set the UAnSRT bit (to 1) to enable SBF reception. • Set the UAnSRT bit after setting the UAnPWR bit and UAnRXE bit to 1. 	

UAnSTT	SBF transmission trigger
0	-
1	SBF transmission trigger
<ul style="list-style-type: none"> • This is the SBF transmission trigger bit during LIN communication, and is always 0 when read. • Setting this bit to 1 triggers SBF transmission. • Set the UAnSTT bit after setting the UAnPWR bit and UAnTXE bit to 1. 	

Caution Do not set the UAnSRT and UAnSTT bits (to 1) during SBF reception (UAnSRF bit = 1).

(2/2)

UAnSLS2	UAnSLS1	UAnSLS0	SBF transmit length selection
1	0	1	13-bit output (initial value)
1	1	0	14-bit output
1	1	1	15-bit output
0	0	0	16-bit output
0	0	1	17-bit output
0	1	0	18-bit output
0	1	1	19-bit output
1	0	0	20-bit output

This register can be set when the UAnPWR bit or the UAnTXE bit is 0.

UAnTDL	Transmit data level bit
0	Normal output of transfer data
1	Inverted output of transfer data

- The output level of the TXDAn pin can be inverted by using the UAnTDL bit.
- This register can be set when the UAnPWR bit or the UAnTXE bit is 0.

UAnRDL	Receive data level bit
0	Normal input of transfer data
1	Inverted input of transfer data

- The input level of the RXDAn pin can be inverted by using the UAnRDL bit.
- This register can be set when the UAnPWR bit or the UAnRXE bit is 0.

(5) UARTAn status register (UAnSTR)

The UAnSTR register is an 8-bit register that displays the UARTAn transfer status and reception error contents.

This register can be read or written in 8-bit or 1-bit units, but the UAnTSF bit is a read-only bit, while the UAnPE, UAnFE, and UAnOVE bits can be both read and written. However, these bits can only be cleared by writing 0; they cannot be set by writing 1 (even if 1 is written to them, the previous value is retained).

The conditions for clearing the UAnSTR register are shown below.

Table 16-3. Conditions for Clearing STR Register

Register/Bit	Conditions for Clearing
UAnSTR register	<ul style="list-style-type: none"> • Reset • UAnCTL0.UAnPWR = 0
UAnTSF bit	<ul style="list-style-type: none"> • UAnCTL0.UAnTXE = 0
UAnPE, UAnFE, UAnOVE bits	<ul style="list-style-type: none"> • 0 write • UAnCTL0.UAnRXE = 0

After reset: 00H R/W Address: UA0STR FFFFFFFA04H, UA1STR FFFFFFFA14H,
 UA2STR FFFFFFFA24H, UA3STR FFFFFFFA34H,
 UA4STR FFFFFFFA44H, UA5STR FFFFFFFA54H

	<7>	6	5	4	3	<2>	<1>	<0>
UAnSTR (n = 0 to 5)	UAnTSF	0	0	0	0	UAnPE	UAnFE	UAnOVE

UAnTSF	Transfer status flag
0	The transmit shift register does not have data. <ul style="list-style-type: none"> • When the UAnPWR bit or the UAnTXE bit has been set to 0. • When, following transfer completion, there was no next data transfer from UAnTX register
1	The transmit shift register has data. (Write to UAnTX register)

The UAnTSF bit is always 1 when performing continuous transmission. When initializing the transmission unit, check that the UAnTSF bit is 0 before performing initialization. The transmit data is not guaranteed when initialization is performed while the UAnTSF bit is 1.

UAnPE	Parity error flag
0	<ul style="list-style-type: none"> • When the UAnPWR bit or the UAnRXE bit has been set to 0. • When 0 has been written
1	The received parity bit does not match the specified parity.

- The operation of the UAnPE bit is controlled by the settings of the UAnCTL0.UAnPS1 and UAnCTL0.UAnPS0 bits.
- Once the UAnPE bit is set (1), the value is retained until the bit is cleared (0).
- The UAnPE bit can be read and written, but it can only be cleared by writing 0 to it; it cannot be set by writing 1 to it. When 1 is written to this bit, the previous value is retained.

UAnFE	Framing error flag
0	<ul style="list-style-type: none"> • When the UAnPWR bit or the UAnRXE bit has been set to 0 • When 0 has been written
1	When no stop bit is detected during reception

- Only the first bit of the receive data stop bits is checked, regardless of the value of the UAnCTL0.UAnSL bit.
- Once the UAnFE bit is set (1), the value is retained until the bit is cleared (0).
- The UAnFE bit can be both read and written, but it can only be cleared by writing 0 to it; it cannot be set by writing 1 to it. When 1 is written to this bit, the previous value is retained.

UAnOVE	Overrun error flag
0	<ul style="list-style-type: none"> • When the UAnPWR bit or the UAnRXE bit has been set to 0. • When 0 has been written
1	When receive data has been set to the UAnRX register and the next receive operation is completed before that receive data has been read

- When an overrun error occurs, the data is discarded without the next receive data being written to the receive buffer.
- Once the UAnOVE bit is set (1), the value is retained until the bit is cleared (0).
- The UAnOVE bit can be both read and written, but it can only be cleared by writing 0 to it; it cannot be set by writing 1 to it. When 1 is written to this bit, the previous value is retained.

(6) UARTAn receive data register (UAnRX)

The UAnRX register is an 8-bit buffer register that stores parallel data converted by the receive shift register.

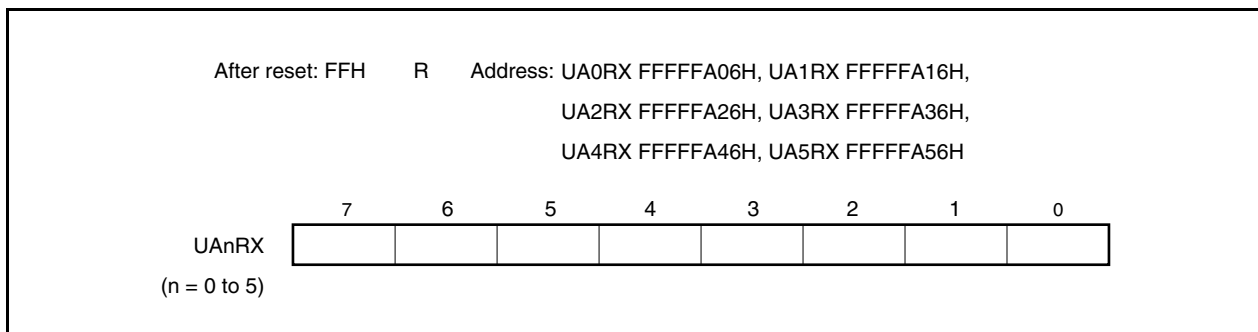
The data stored in the receive shift register is transferred to the UAnRX register upon completion of reception of 1-character data.

During LSB-first reception when the data length has been specified as 7 bits, the receive data is transferred to bits 6 to 0 of the UAnRX register and the MSB always becomes 0. During MSB-first reception, the receive data is transferred to bits 7 to 1 of the UAnRX register and the LSB always becomes 0.

When an overrun error (UAnOVE) occurs, the receive data at this time is not transferred to the UAnRX register and is discarded.

This register is read-only, in 8-bit units.

In addition to reset input, the UAnRX register can be set to FFH by clearing the UAnCTL0.UAnPWR bit to 0.



(7) UARTAn transmit data register (UAnTX)

The UAnTX register is an 8-bit register used to set transmit data.

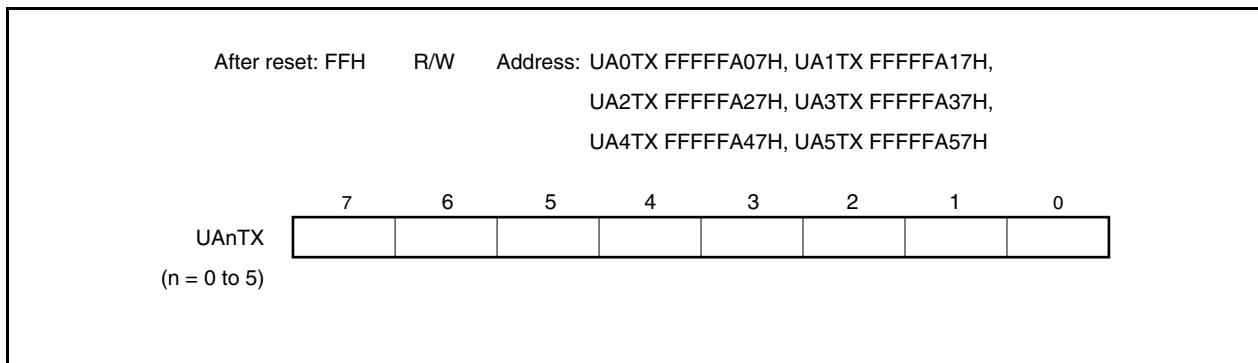
Writing transmit data to the UAnTX register with transmission enabled (UAnCTL0.UAnTXE bit = 1) triggers transmission. When transfer of the UAnTX register data to the UARTAn transmit shift register is complete, the transmission enable interrupt request signal (INTUAnT) is generated.

When 7-bit data is transmitted LSB-first, the data is transferred to bits 6 to 0 of the UAnTX register. When the data is transmitted MSB-first, it is transferred to bits 7 to 1 of the UAnTX register.

This register can be read or written in 8-bit units.

Reset sets this register to FFH.

Caution Writing the UAnTX register with transmission enabled (UAnPWR bit = 1 and UAnTXE bit = 1) triggers transmission. If the same value as the one immediately before is written, therefore, the same data is transmitted twice. To write new transmit data during processing of the preceding one, wait until the transmission enable interrupt request signal (INTUAnT) has been generated. Even if transmission is enabled after data is written to the UAnTX register with transmission disabled (UAnPWR bit = 0 or UAnTXE bit = 0), transmission does not start.



16.5 Interrupt Request Signals

The following two interrupt request signals are generated from UARTAn.

- Reception complete interrupt request signal (INTUAnR)
- Transmission enable interrupt request signal (INTUAnT)

The default priority for these two interrupt request signals is reception complete interrupt request signal then transmission enable interrupt request signal.

Table 16-4. Interrupts and Their Default Priorities

Interrupt Request Signal	Priority
Reception complete	High
Transmission enable	Low

(1) Reception complete interrupt request signal (INTUAnR)

When the data stored in the receive shift register is transferred to the UAnRX register with reception enabled, the reception complete interrupt request signal is generated.

A reception complete interrupt request signal is also output when a reception error occurs. Therefore, when a reception complete interrupt request signal is acknowledged and the data is read, read the UAnSTR register and check that the reception result is not an error.

No reception complete interrupt request signal is generated in the reception disabled status.

(2) Transmission enable interrupt request signal (INTUAnT)

If transmit data is transferred from the UAnTX register to the UARTAn transmit shift register with transmission enabled, the transmission enable interrupt request signal is generated.

16.6 Operation

16.6.1 Data format

As shown in Figure 16-5, one frame of transmit/receive data consists of a start bit, character bits, parity bit, and stop bit(s).

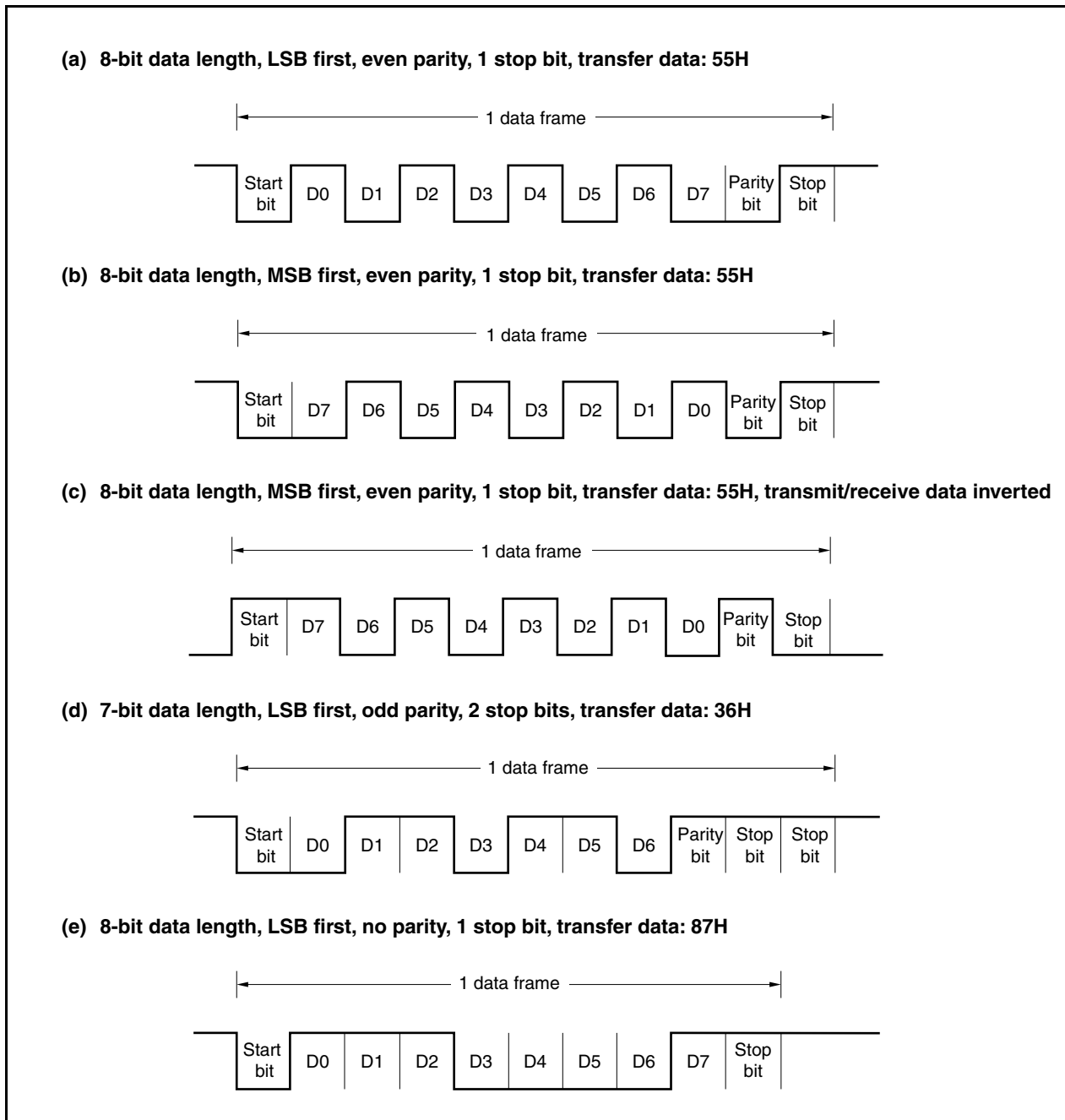
Specification of the character bit length within 1 data frame, parity selection, specification of the stop bit length, and specification of MSB-first/LSB-first transfer are performed using the UAnCTL0 register.

The UAnOPT0.UAnTDL bit is used to specify normal output/inverted output for the data to be transferred via the TXDAn pin.

The UAnOPT0.UAnRDL bit is used to specify normal input/inverted input for the data to be received via the RXDAn pin.

- Start bit..... 1 bit
- Character bits 7 bits/8 bits
- Parity bit Even parity/odd parity/0 parity/no parity
- Stop bit 1 bit/2 bits
- Input logic Normal input/inverted input
- Output logic Normal output/inverted output
- Communication direction MSB/LSB

Figure 16-5. UARTA Transmit/Receive Data Format



16.6.2 UART transmission

Transmission is enabled by setting the UAnCTL0.UAnPWR and UAnCTL0.UAnTXE bits to 1, and transmission is started by writing transmit data to the UAnTX register. The start bit, parity bit, and stop bit are automatically added.

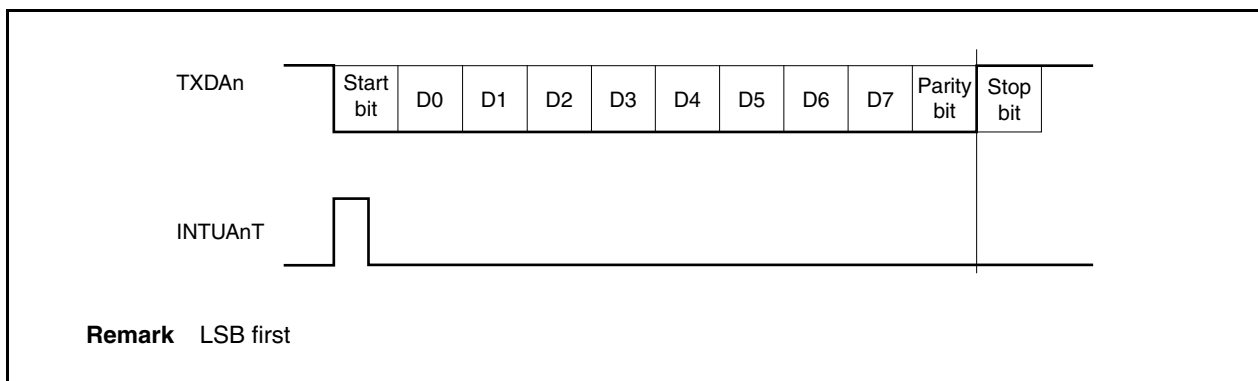
Since the CTS (transmit enable signal) input pin is not provided in UARTAn, use a port to check that reception is enabled at the transmit destination.

The data in the UAnTX register is transferred to the UARTAn transmit shift register upon the start of transmission.

A transmission enable interrupt request signal (INTUAnT) is generated upon completion of transmission of the data of the UAnTX register to the UARTAn transmit shift register, and the contents of the UARTAn transmit shift register are output to the TXDAn pin.

Writing the next transmit data to the UAnTX register is enabled after the INTUAnT signal is generated.

Figure 16-6. UART Transmission



16.6.3 Continuous transmission procedure

Writing transmit data to the UAnTX register with transmission enabled triggers transmission. The data in the UAnTX register is transferred to the UARTAn transmit shift register, the transmission enable interrupt request signal (INTUAnT) is generated, and then shifting is started. After the transmission enable interrupt request signal (INTUAnT) is generated, the next transmit data can be written to the UAnTX register. The timing of UARTAn transmit shift register transmission can be judged from the transmission enable interrupt request signal (INTUAnT).

An efficient communication rate is realized by writing the data to be transmitted next to the UAnTX register during transfer.

Caution When initializing transmission during the execution of continuous transmission, make sure that the UAnSTR.UAnTSF bit is 0, then perform initialization. Transmit data that is initialized when the UAnTSF bit is 1 cannot be guaranteed.

Figure 16-7. Continuous Transmission Processing

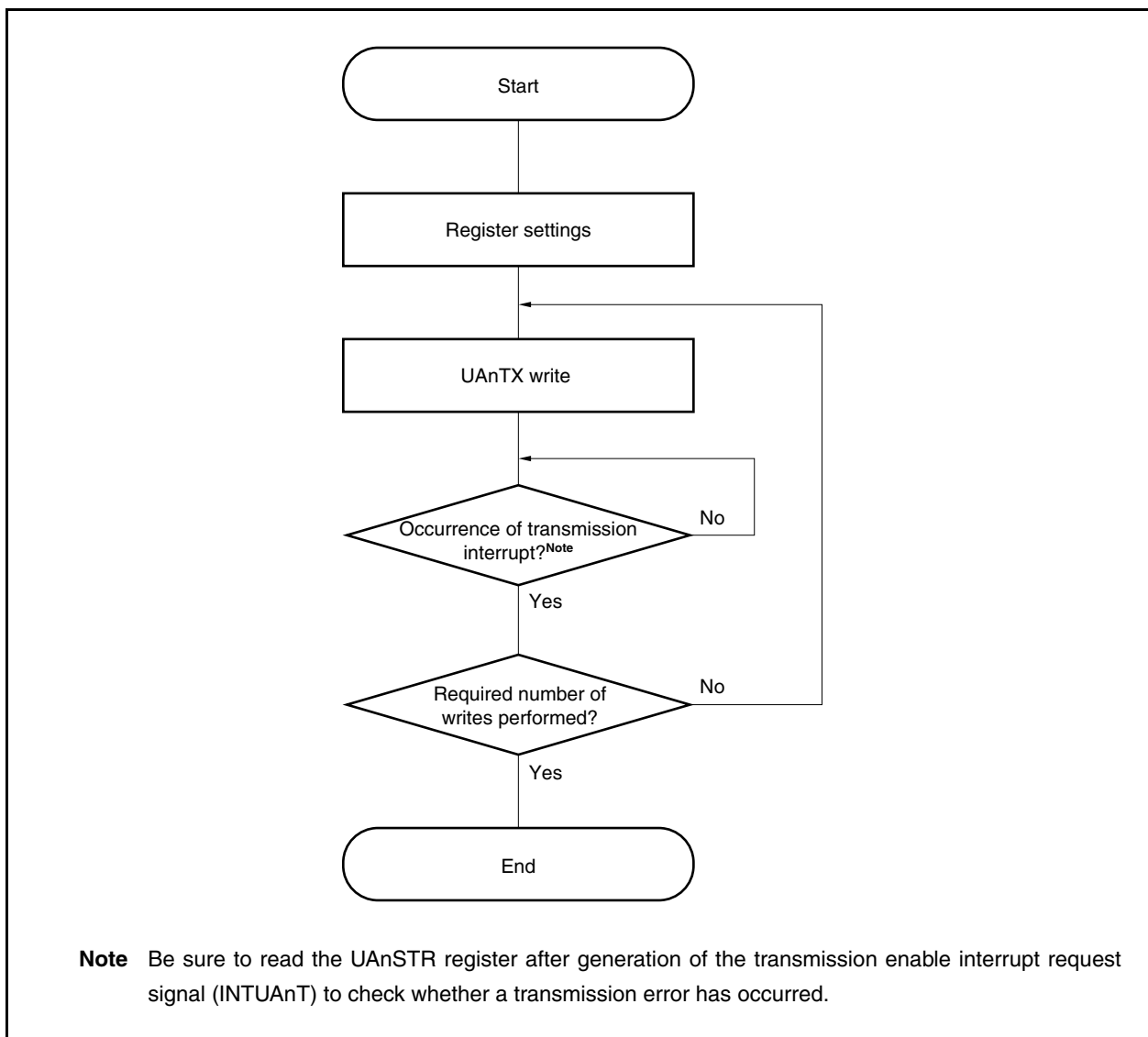
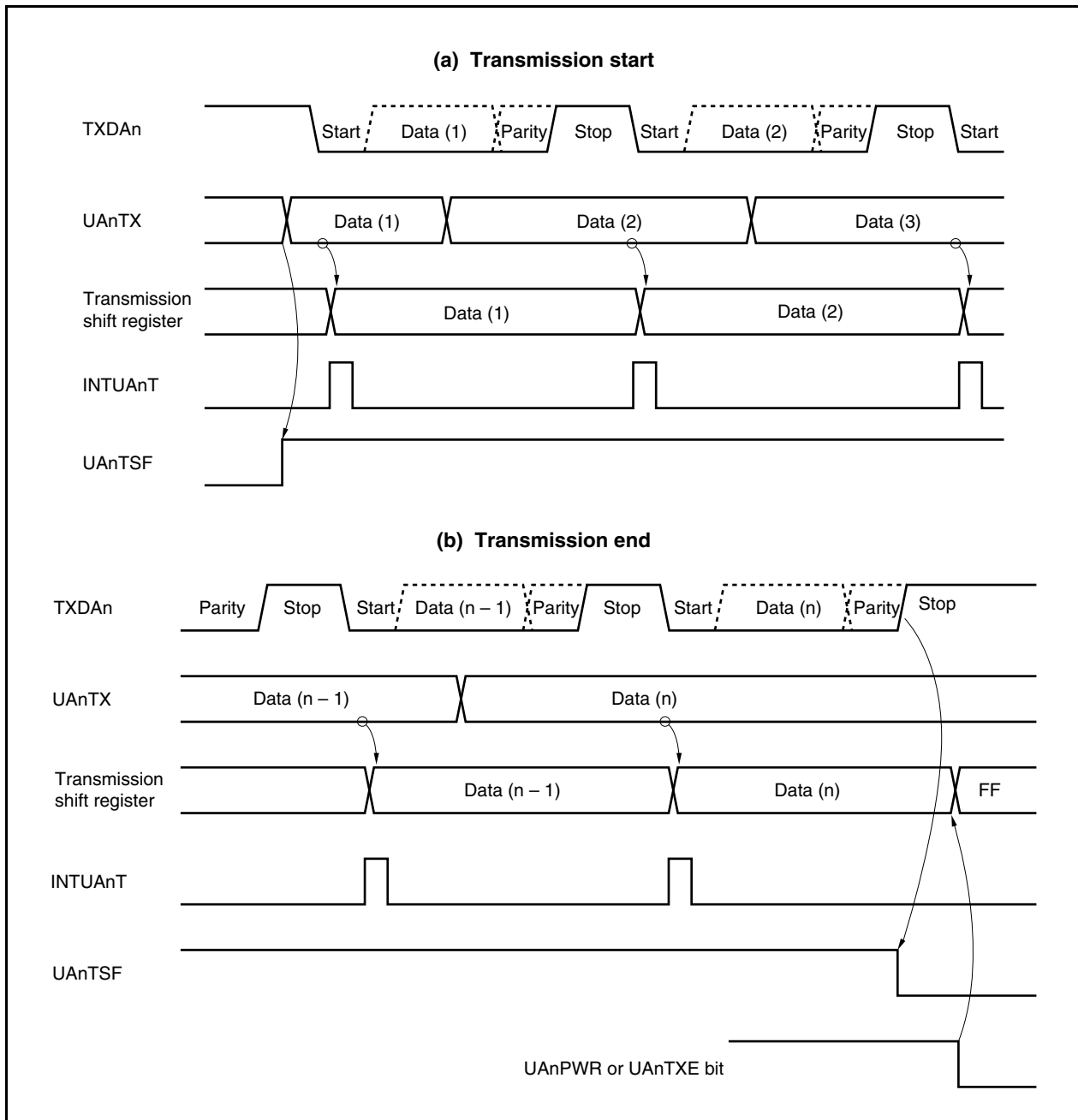


Figure 16-8. Continuous Transmission Operation Timing



16.6.4 UART reception

First, enable reception by executing the following operations and monitor the RXDAn input to detect the start bit.

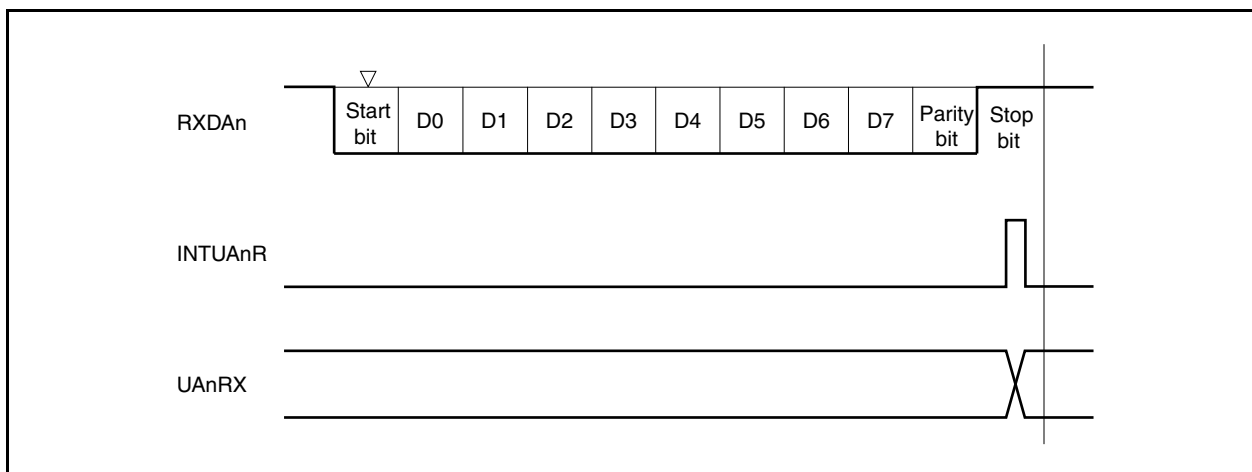
- Specify the operating clock by using UARTA control register 1 (UAnCTL1).
- Specify the baud rate by using UARTA control register 2 (UAnCTL2).
- Specify the output logic level by using UARTA option control register 0 (UAnOPT0).
- Specify the communication direction, parity, data character length, and stop bit length by using UARTA control register 0 (UAnCTL0).
- Set the power bit and reception enable bit (UAnPWR = 1 and UAnRXE = 1).

To change the communication direction, parity, data character length, and/or stop bit length, clear the power bit (UAnPWR = 0) or clear both the transmission enable bit and reception enable bit (UAnTXE = 0 and UAnRXE = 0) beforehand.

The level input to the RXDAn pin is sampled by using the operating clock. If the falling edge is detected, sampling of data input to RXDAn is started. If the data is low level half a bit after detection of the falling edge (indicated by ∇ in Figure 16-9), it is recognized as a start bit. When the start bit has been recognized, reception is started, and serial data is sequentially stored in the receive shift register at the specified baud rate. When the stop bit has been received, the reception complete interrupt request signal (INTUAnR) is generated and, at the same time, the data stored in the receive shift register is transferred to the receive data register (UAnRX).

If an overrun error occurs (UAnOVE = 1), however, the receive data is not transferred to UAnRX, but is discarded. On the other hand, even if a parity error (UAnPE = 1) or framing error (UAnFE = 1) occurs, reception continues and the receive data is transferred to the UAnRX register. No matter which reception error has occurred, the INTUAnR interrupt is generated after reception is complete.

Figure 16-9. UART Reception



- Cautions**
1. Be sure to read the UAnRX register even when a reception error occurs. If the UAnRX register is not read, an overrun error occurs during reception of the next data, and reception errors continue occurring indefinitely.
 2. Reception is performed assuming that there is only one stop bit. A second stop bit is ignored.
 3. When reception is completed, read the UAnRX register after the reception complete interrupt request signal (INTUAnR) has been generated, and clear the UAnRXE bit to 0. If the UAnRXE bit is cleared to 0 before the INTUAnR signal is generated, the read value of the UAnRX register cannot be guaranteed.
 4. If the receive completion processing (INTUAnR signal generation) of UARTAn conflicts with setting the UAnPWR bit or UAnRXE bit to 0, the INTUAnR signal may be generated in spite of there being no data stored in the UAnRX register.

To complete reception without waiting for INTUAnR signal generation, be sure to clear (0) the interrupt request flag (UAnRIF) of the UAnRIC register, after setting (1) the interrupt mask flag (UAnRMK) of the interrupt control register (UAnRIC) and then set (1) the UAnPWR bit or UAnRXE bit to 0.

16.6.5 Reception errors

Three types of errors can occur during reception: parity errors, framing errors, and overrun errors. The data reception result error flag is set in the UAnSTR register and a reception complete interrupt request signal (INTUAnR) is output when an error occurs.

It is possible to ascertain which error occurred during reception by reading the contents of the UAnSTR register. Clear the reception error flag by writing 0 to it after reading it.

Figure 16-10. Reading Receive Data

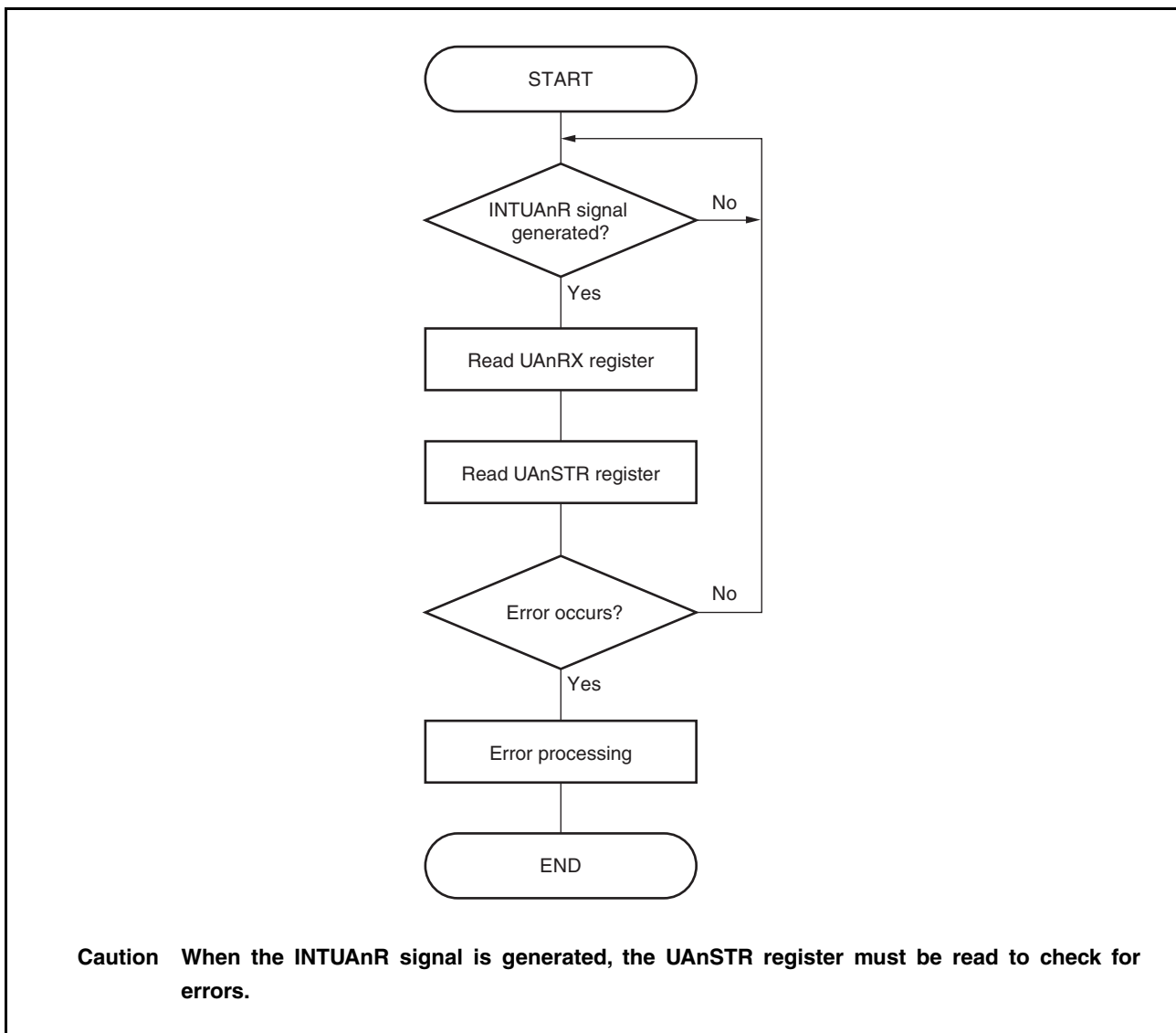


Table 16-5. Reception Error Causes

Error Flag	Reception Error	Cause
UAnPE	Parity error	The received parity bit does not match the setting.
UAnFE	Framing error	The stop bit was not detected.
UAnOVE	Overrun error	Reception of the next data was completed before data was read from the receive buffer.

When a reception error occurs, perform the following procedure according to the kind of error.

- Parity error
If false data is received due to problems such as noise on the reception line, discard the received data and retransmit.
- Framing error
A baud rate error may have occurred between the reception side and transmission side or a start bit may have been erroneously detected. Since this is a fatal error for the communication format, check that operation on the transmission side has stopped, initialize both sides, and then start the communication again.
- Overrun error
1 frame of data is discarded because the next reception is completed before data was read from the receive buffer. If this data was needed, retransmit the data.

Caution In reception, be sure to read the UAnSTR register before completion of the next reception to check whether an error has occurred. If an error has occurred, perform error processing.

16.6.6 Parity types and operations

The parity bit is used to detect bit errors in the communication data. Normally the same parity is used on the transmission side and the reception side.

In the case of even parity and odd parity, it is possible to detect odd-count bit errors. In the case of 0 parity and no parity, errors cannot be detected.

(a) Even parity

(i) During transmission

The number of bits whose value is "1" among the transmit data, including the parity bit, is controlled so as to be an even number. The parity bit values are as follows.

- Odd number of bits whose value is "1" among transmit data: 1
- Even number of bits whose value is "1" among transmit data: 0

(ii) During reception

The number of bits whose value is "1" among the reception data, including the parity bit, is counted, and if it is an odd number, a parity error is output.

(b) Odd parity

(i) During transmission

Opposite to even parity, the number of bits whose value is "1" among the transmit data, including the parity bit, is controlled so that it is an odd number. The parity bit values are as follows.

- Odd number of bits whose value is "1" among transmit data: 0
- Even number of bits whose value is "1" among transmit data: 1

(ii) During reception

The number of bits whose value is "1" among the receive data, including the parity bit, is counted, and if it is an even number, a parity error is output.

(c) 0 parity

During transmission, the parity bit is always made 0, regardless of the transmit data.

During reception, a parity bit check is not performed. Therefore, no parity error occurs, regardless of whether the parity bit is 0 or 1.

(d) No parity

No parity bit is added to the transmit data.

Reception is performed assuming that there is no parity bit. No parity error occurs since there is no parity bit.

Caution When using the LIN function, fix the UAnPS1 and UAnPS0 bits of the UAnCTL0 register to 0, 0.

16.6.7 LIN transmission/reception format

The V850ES/JG3-L has an SBF (Sync Break Field) transmission/reception control function to enable use of the LIN function.

Remark LIN stands for Local Interconnect Network and is a low-speed (1 to 20 kbps) serial communication protocol intended to reduce costs of automotive networks.

LIN communication is single-master communication, and up to 15 slaves can be connected to the master.

The LIN slaves are used to control the switches, actuators, and sensors, and these are connected to the LIN master via the LIN network.

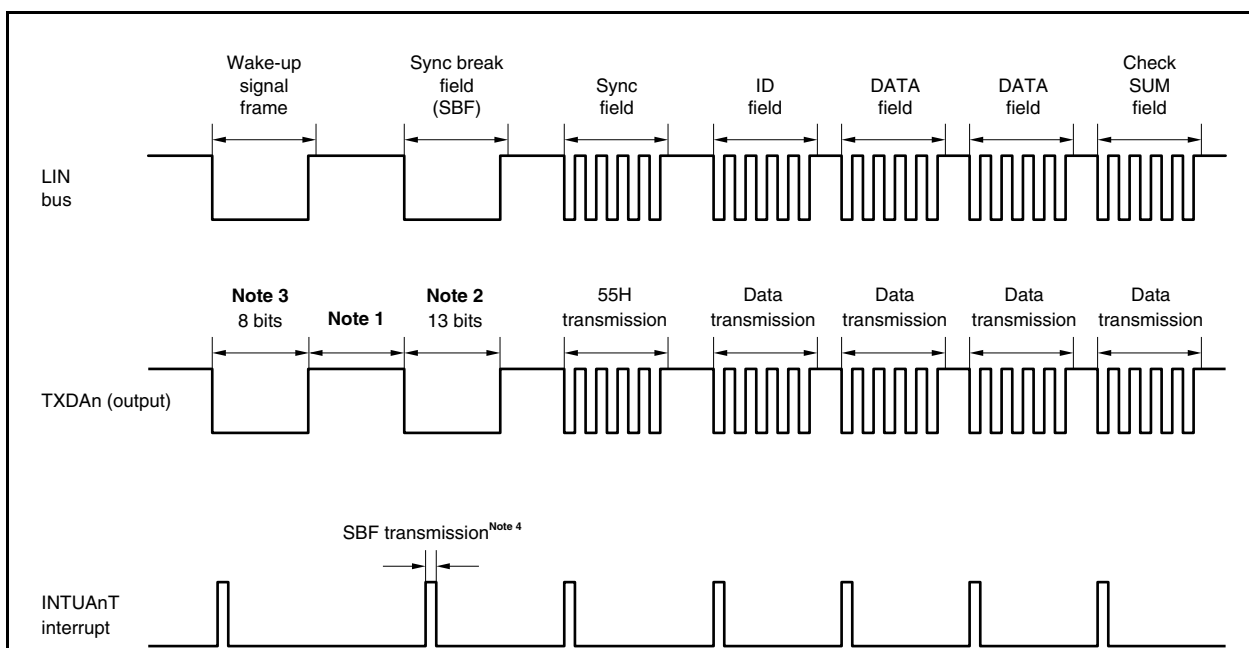
Normally, the LIN master is connected to a network such as CAN (Controller Area Network).

In addition, the LIN bus uses a single-wire method and is connected to the nodes via a transceiver that complies with ISO9141.

In the LIN protocol, the master transmits a frame with baud rate information and the slave receives it and corrects the baud rate error. Therefore, communication is possible when the baud rate error in the slave is $\pm 15\%$ or less.

Figures 16-11 and 16-12 outline the transmission and reception manipulations of LIN.

Figure 16-11. LIN Transmission Format



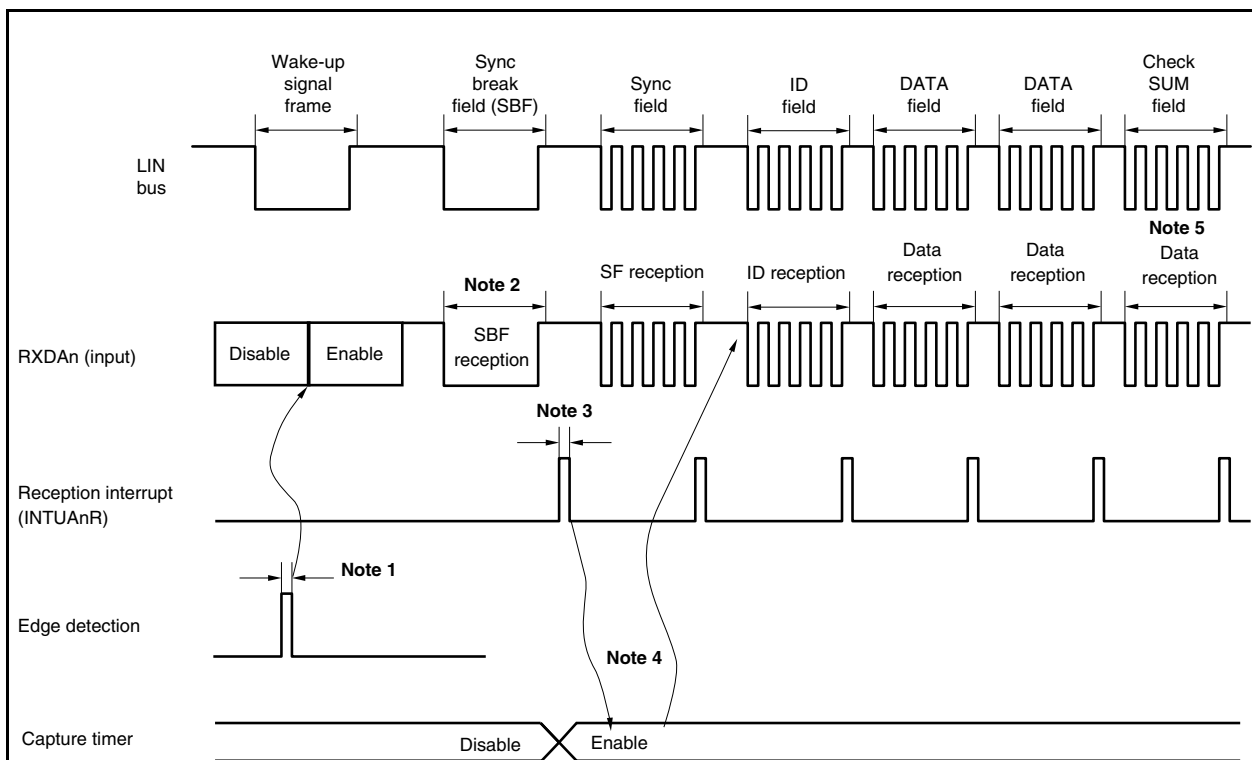
Notes 1. The interval between each field is controlled by software.

2. SBF output is performed by hardware. The output width is the bit length set by the UAnOPT0.UAnSBL2 to UAnOPT0.UAnSBL0 bits. If even finer output width adjustments are required, such adjustments can be performed using the UAnCTLn.UAnBRS7 to UAnCTLn.UAnBRS0 bits.

3. 80H transfer in the 8-bit mode is substituted for the wakeup signal frame.

4. A transmission enable interrupt request signal (INTUAnT) is output at the start of each transmission. The INTUAnT signal is also output at the start of each SBF transmission.

Figure 16-12. LIN Reception Format



- Notes**
1. The wakeup signal is detected by the pin edge detector, UARTAn is enabled, and the SBF reception mode is set.
 2. Reception is performed until detection of the stop bit. Upon detection of SBF reception of 11 or more bits, it is judged as normal SBF reception end, and an interrupt signal is output. Upon detection of SBF reception of less than 11 bits, it is judged as an SBF reception error, no interrupt signal is output, and the mode returns to the SBF reception mode.
 3. If SBF reception ends normally, an interrupt request signal is output. The timer is enabled by an SBF reception complete interrupt. Moreover, error detection for the UAnSTR.UAnOVE, UAnSTR.UAnPE, and UAnSTR.UAnFE bits is suppressed and UART communication error detection processing and data transfer of the UARTAn receive shift register and UAnRX register is not performed. The UARTAn receive shift register holds the initial value, FFH.
 4. The RXDAn pin is connected to T1 (capture input) of the timer and the transfer rate is calculated. The value of the UAnCTL2 register obtained by correcting the baud rate error after UARTA enable goes low is set again, causing the status to become the reception status.
 5. A check-sum field is identified by software. UARTAn is initialized following reception of the check-sum field, and the processing for re-specifying the SBF reception mode is performed, also by software.

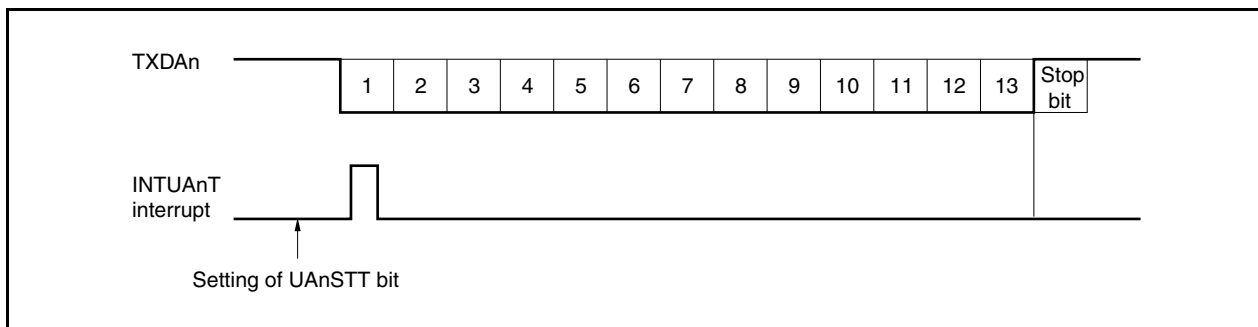
16.6.8 SBF transmission

When the UAnCTL0.UAnPWR bit and UAnCTL0.UAnTXE bit are 1, the transmission enabled status is entered, and SBF transmission is started by setting the SBF transmission trigger (UAnOPT0.UAnSTT bit) to 1.

Thereafter, a low level signal having a length of 13 to 20 bits, as specified by the UAnOPT0.UAnSLS2 to AnOPT0.UAnSLS0 bits, is output. A transmission enable interrupt request signal (INTUAnT) is generated upon the start of SBF transmission. Following the end of SBF transmission, the UAnSTT bit is automatically cleared.

Transmission is suspended until the data to be transmitted next is written to the UAnTX register, or until the SBF transmission trigger (UAnSTT bit) is set.

Figure 16-13. Example of SBF Transmission



16.6.9 SBF reception

The reception enabled status is entered by setting the UAnCTL0.UAnPWR bit to 1 and then setting the UAnCTL0.UAnRXE bit to 1.

The SBF reception wait status is set by setting the SBF reception trigger (UAnOPT0.UAnSTR bit) to 1.

In the SBF reception wait status, similarly to the UART reception wait status, the RXDAn pin is monitored and start bit detection is performed.

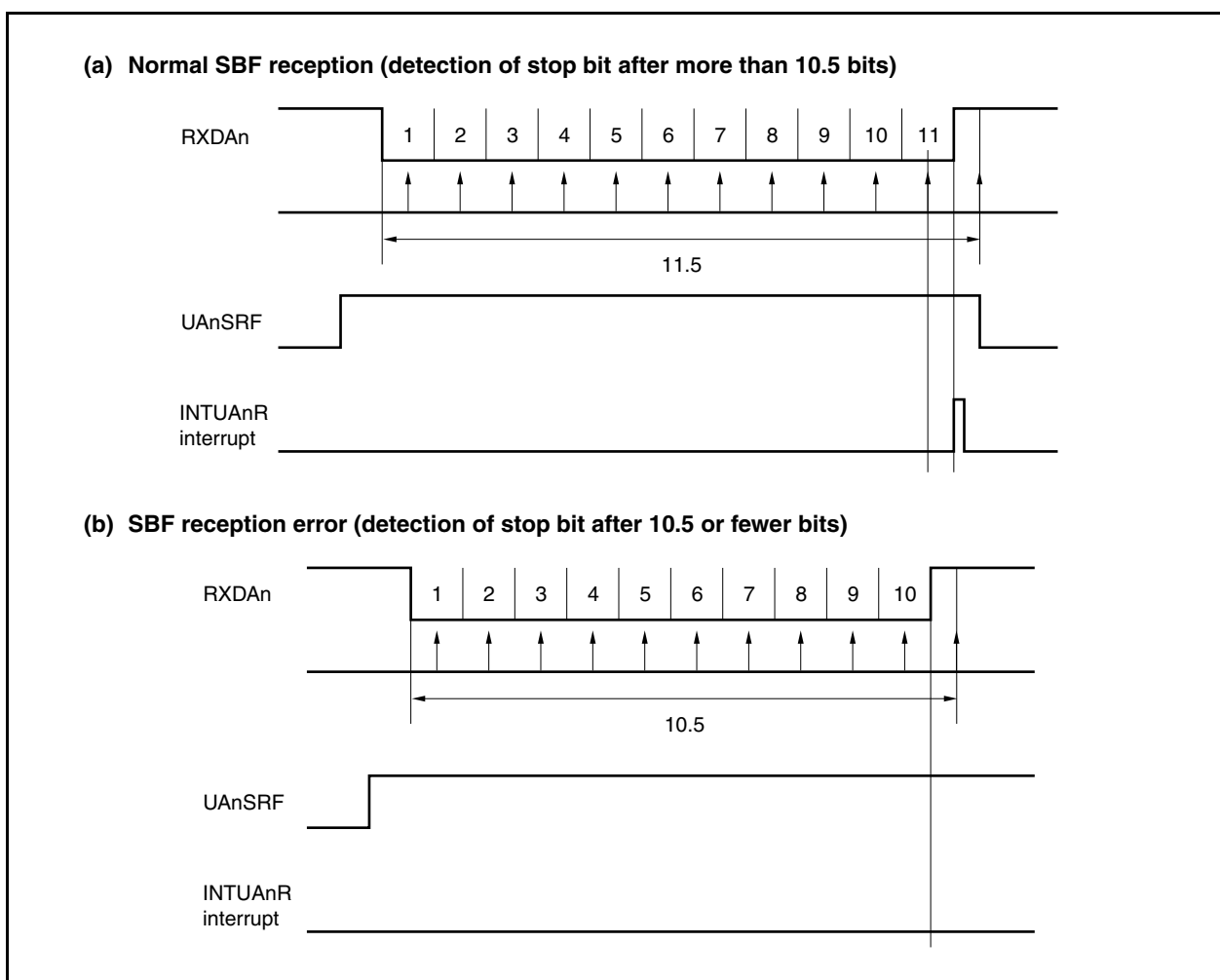
Following detection of the start bit, reception is started and the internal counter increments according to the set baud rate.

When a stop bit is received, if the SBF width is 11 or more bits, it is judged as normal processing and a reception complete interrupt request signal (INTUAnR) is output. The UAnOPT0.UAnSRF bit is automatically cleared and SBF reception ends. Error detection for the UAnSTR.UAnOVE, UAnSTR.UAnPE, and UAnSTR.UAnFE bits is suppressed and UART communication error detection processing is not performed. Moreover, data transfer of the UARTAn reception shift register and UAnRX register is not performed and FFH, the initial value, is held. If the SBF width is 10 or fewer bits, reception is terminated as an error, an interrupt is not generated, and the SBF reception mode is restored. The UAnSRF bit is not cleared at this time.

Cautions 1. If SBF is transmitted during data reception, a framing error occurs.

2. Do not set the SBF reception trigger bit (UAnSRT) and SBF transmission trigger bit (UAnSTT) to 1 during SBF reception (UAnSRF = 1).

Figure 16-14. SBF Reception



16.6.10 Receive data noise filter

This filter samples signals received via the RXDAn pin using the base clock supplied by the dedicated baud rate generator.

When the same sampling value is read twice, the match detector output changes and the RXDAn signal is sampled as the input data. Therefore, data not exceeding 1 clock cycle width is judged to be noise and is not delivered to the internal circuit (see **Figure 16-16**). See **16.7 (1) (a) Base clock** for details of the base clock.

Moreover, since the circuit is as shown in **Figure 16-15**, the processing that goes on within the receive operation is delayed by 3 clocks in relation to the external signal status.

Figure 16-15. Noise Filter Circuit

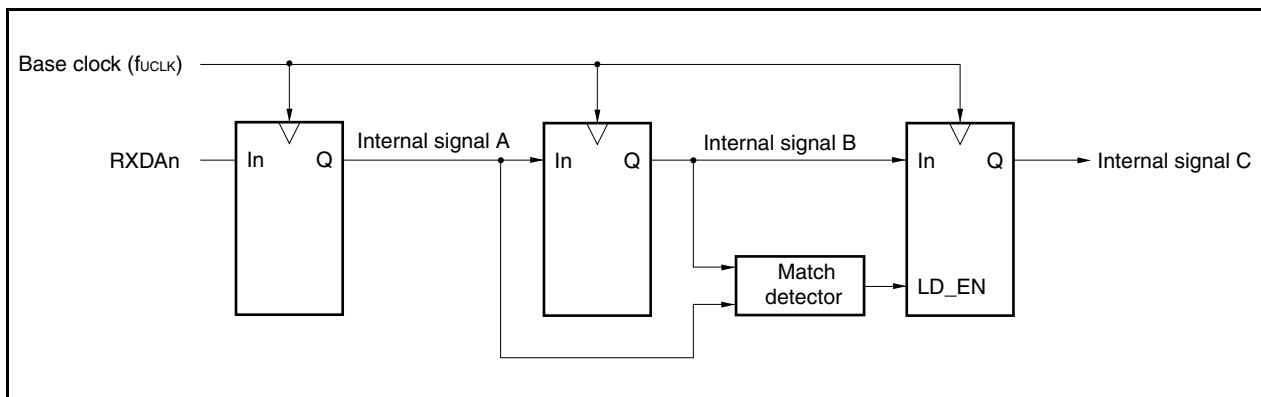
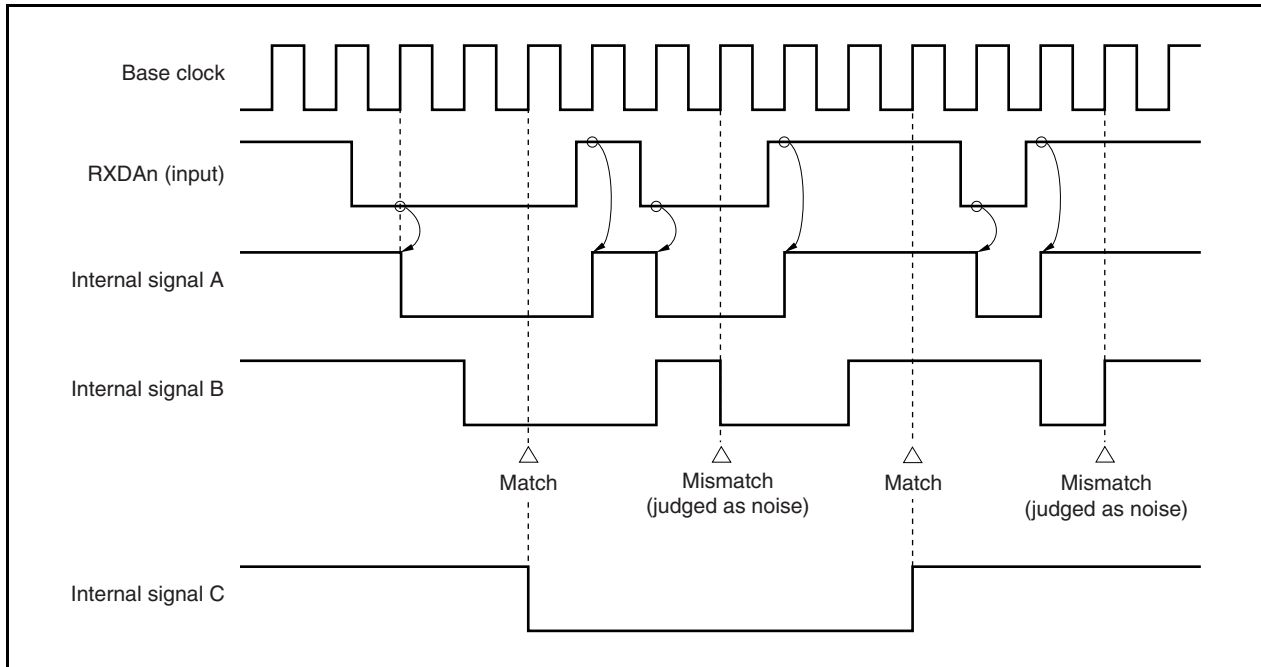


Figure 16-16. Timing of RXDAn Signal Judged as Noise



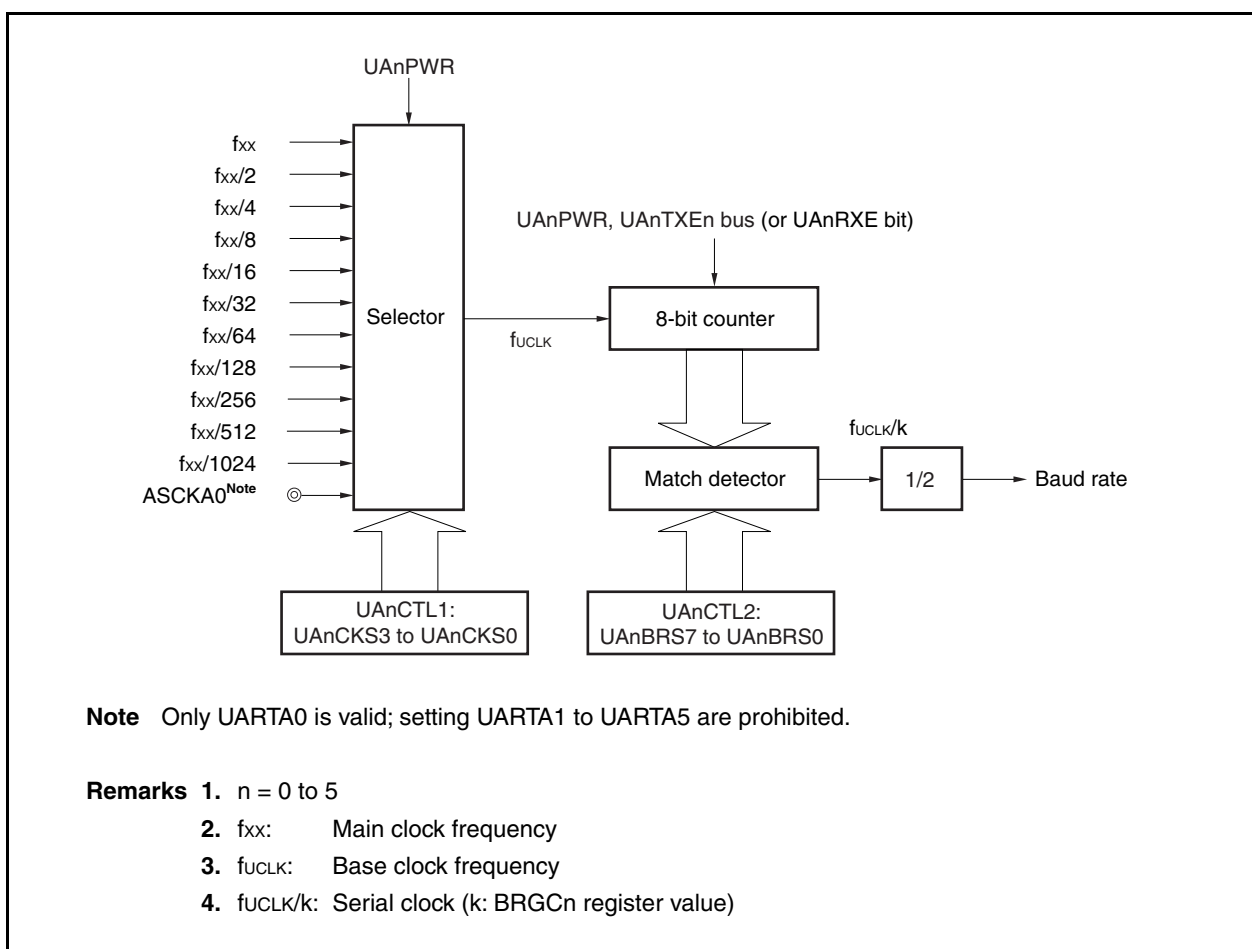
16.7 Dedicated Baud Rate Generator

The dedicated baud rate generator consists of a source clock selector block and an 8-bit programmable counter block, and generates a serial clock during transmission and reception using UARTAn. Regarding the serial clock, a dedicated baud rate generator output can be selected for each channel.

There is an 8-bit counter for transmission and another one for reception.

(1) Baud rate generator configuration

Figure 16-17. Configuration of Baud Rate Generator



(a) Base clock

When the UAnCTL0.UAnPWR bit is 1, the clock selected by the UAnCTL1.UAnCKs3 to UAnCTL1.UAnCKs0 bits is supplied to the 8-bit counter. This clock is called the base clock (f_{UCLK}).

(b) Serial clock generation

A serial clock can be generated by setting the UAnCTL1 register and the UAnCTL2 register ($n = 0$ to 2).

The base clock is selected by UAnCTL1.UAnCKs3 to UAnCTL1.UAnCKs0 bits.

The frequency division value for the 8-bit counter can be set using the UAnCTL2.UAnBRS7 to UAnCTL2.UAnBRS0 bits.

The baud rate clock is generated by dividing the serial clock by two.

(2) UARTAn control register 1 (UAnCTL1)

The UAnCTL1 register is an 8-bit register that selects the UARTAn base clock.

This register can be read or written in 8-bit units.

Reset sets this register to 00H.

Caution Clear the UAnCTL0.UAnPWR bit to 0 before rewriting the UAnCTL1 register.

After reset: 00H R/W Address: UA0CTL1 FFFFFFFA01H, UA1CTL1 FFFFFFFA11H,
UA2CTL1 FFFFFFFA21H, UA3CTL1 FFFFFFFA31H,
UA4CTL1 FFFFFFFA41H, UA5CTL1 FFFFFFFA51H

	7	6	5	4	3	2	1	0
UAnCTL1	0	0	0	0	UAnCKS3	UAnCKS2	UAnCKS1	UAnCKS0

(n = 0 to 5)

UAnCKS3	UAnCKS2	UAnCKS1	UAnCKS0	Base clock (f _{CLK}) selection
0	0	0	0	f _{xx}
0	0	0	1	f _{xx} /2
0	0	1	0	f _{xx} /4
0	0	1	1	f _{xx} /8
0	1	0	0	f _{xx} /16
0	1	0	1	f _{xx} /32
0	1	1	0	f _{xx} /64
0	1	1	1	f _{xx} /128
1	0	0	0	f _{xx} /256
1	0	0	1	f _{xx} /512
1	0	1	0	f _{xx} /1,024
1	0	1	1	External clock ^{Note} (ASCKA0 pin)
Other than above				Setting prohibited

Note Only UARTA0 is valid; setting UARTA1 to UARTA5 are prohibited.

Remark f_{xx}: Main clock frequency

(3) UARTAn control register 2 (UAnCTL2)

The UAnCTL2 register is an 8-bit register that selects the baud rate (serial transfer speed) clock of UARTAn.

The baud rate clock is generated by dividing the serial clock specified by this register by two.

This register can be read or written in 8-bit units.

Reset sets this register to FFH.

Caution Either clear the UAnCTL0.UAnPWR bit to 0, or clear the UAnTXE and UAnRXE bits to 0, 0, before rewriting the UAnCTL2 register.

After reset FFH R/W Address: UA0CTL2 FFFFFFFA02H, UA1CTL2 FFFFFFFA12H,
UA2CTL2 FFFFFFFA22H, UA3CTL2 FFFFFFFA32H,
UA4CTL2 FFFFFFFA42H, UA5CTL2 FFFFFFFA52H

	7	6	5	4	3	2	1	0
UAnCTL2	UAnBRS7	UAnBRS6	UAnBRS5	UAnBRS4	UAnBRS3	UAnBRS2	UAnBRS1	UAnBRS0

(n = 0 to 5)

UAn BRS7	UAn BRS6	UAn BRS5	UAn BRS4	UAn BRS3	UAn BRS2	UAn BRS1	UAn BRS0	Default (k)	Serial clock
0	0	0	0	0	0	×	×	×	Setting prohibited
0	0	0	0	0	1	0	0	4	f _{uCLK} /4
0	0	0	0	0	1	0	1	5	f _{uCLK} /5
0	0	0	0	0	1	1	0	6	f _{uCLK} /6
:	:	:	:	:	:	:	:	:	:
1	1	1	1	1	1	0	0	252	f _{uCLK} /252
1	1	1	1	1	1	0	1	253	f _{uCLK} /253
1	1	1	1	1	1	1	0	254	f _{uCLK} /254
1	1	1	1	1	1	1	1	255	f _{uCLK} /255

Remark f_{uCLK}: Clock frequency selected by the UAnCTL1.UAnCKS3 to UAnCTL1.UAnCKS0 bits

(4) Baud rate

The baud rate is obtained by the following equation.

$$\text{Baud rate} = \frac{f_{\text{UCLK}}}{2 \times k} \text{ [bps]}$$

When using the internal clock, the equation will be as follows (when using the ASCKA0 pin input as the clock for UARTA0, calculate using the above equation).

$$\text{Baud rate} = \frac{f_{\text{XX}}}{2^{m+1} \times k} \text{ [bps]}$$

Remark f_{UCLK} = Frequency of base clock selected by the UAnCTL1.UAnCKS3 to UAnCTL1.UAnCKS0 bits
 f_{XX} : Main clock frequency
 m = Value set using the UAnCTL1.UAnCKS3 to UAnCTL1.UAnCKS0 bits ($m = 0$ to 10)
 k = Value set using the UAnCTL2.UAnBRS7 to UAnCTL2.UAnBRS0 bits ($k = 4$ to 255)

The baud rate error is obtained by the following equation.

$$\begin{aligned} \text{Error (\%)} &= \left(\frac{\text{Actual baud rate (baud rate with error)}}{\text{Target baud rate (correct baud rate)}} - 1 \right) \times 100 \text{ [\%]} \\ &= \left(\frac{f_{\text{UCLK}}}{2 \times k \times \text{Target baud rate}} - 1 \right) \times 100 \text{ [\%]} \end{aligned}$$

When using the internal clock, the equation will be as follows (when using the ASCKA0 pin input as the clock for UARTA0, calculate the baud rate error using the above equation).

$$\text{Error (\%)} = \left(\frac{f_{\text{XX}}}{2^{m+1} \times k \times \text{Target baud rate}} - 1 \right) \times 100 \text{ [\%]}$$

- Cautions**
1. The baud rate error during transmission must be within the error tolerance on the receiving side.
 2. The baud rate error during reception must satisfy the range indicated in (5) Allowable baud rate range during reception.

To set the baud rate, perform the following calculation for setting the UAnCTL1 and UAnCTL2 registers (when using the internal clock).

- <1> Set k to $f_{xx}/(2 \times \text{target baud rate})$ and m to 0.
- <2> If k is 256 or greater ($k \geq 256$), reduce k to half ($k/2$) and increment m by 1 ($m + 1$).
- <3> Repeat Step <2> until k becomes less than 256 ($k < 256$).
- <4> Round off the first decimal point of k to the nearest whole number.
If k is 256 after round-off, reduce k to half ($k/2$) and increment m by 1 ($m + 1$) to obtain $k = 128$.
- <5> Set the value of m to the UAnCTL1 register and the value of k to the UAnCTL2 register.

Example: When $f_{xx} = 20$ MHz and target baud rate = 153,600 bps

$$\text{<1> } k = 20,000,000 / (2 \times 153,600) = 65.10\dots, m = 0$$

$$\text{<2>, <3> } k = 65.10\dots < 256, m = 0$$

$$\text{<4> } \text{Set value of UAnCTL2 register: } k = 65 = 41\text{H, set value of UAnCTL1 register: } m = 0$$

$$\begin{aligned} \text{Actual baud rate} &= 20,000,000 / (2 \times 65) \\ &= 153,846 \text{ [bps]} \end{aligned}$$

$$\begin{aligned} \text{Baud rate error} &= \{20,000,000 / (2 \times 65 \times 153,600) - 1\} \times 100 \\ &= 0.160 \text{ [\%]} \end{aligned}$$

Representative examples of baud rate settings are shown below.

Table 16-6. Baud Rate Generator Setting Data

Baud Rate (bps)	$f_{xx} = 20$ MHz			$f_{xx} = 16$ MHz			$f_{xx} = 10$ MHz		
	UAnCTL1	UAnCTL2	ERR (%)	UAnCTL1	UAnCTL2	ERR (%)	UAnCTL1	UAnCTL2	ERR (%)
300	08H	82H	0.16	07H	D0H	0.16	07H	82H	0.16
600	07H	82H	0.16	06H	D0H	0.16	06H	82H	0.16
1200	06H	82H	0.16	05H	D0H	0.16	05H	82H	0.16
2400	05H	82H	0.16	04H	D0H	0.16	04H	82H	0.16
4800	04H	82H	0.16	03H	D0H	0.16	03H	82H	0.16
9600	03H	82H	0.16	02H	D0H	0.16	02H	82H	0.16
19200	02H	82H	0.16	01H	D0H	0.16	01H	82H	0.16
31250	01H	A0H	0	01H	80H	0	00H	A0H	0
38400	01H	82H	0.16	00H	D0H	0.16	00H	82H	0.16
76800	00H	82H	0.16	00H	68H	0.16	00H	41H	0.16
153600	00H	41H	0.16	00H	34H	0.16	00H	21H	-1.36
312500	00H	20H	0	00H	1AH	-1.54	00H	10H	0
625000	00H	10H	0	00H	0DH	-1.54	00H	08H	0

Remark f_{xx} : Main clock frequency

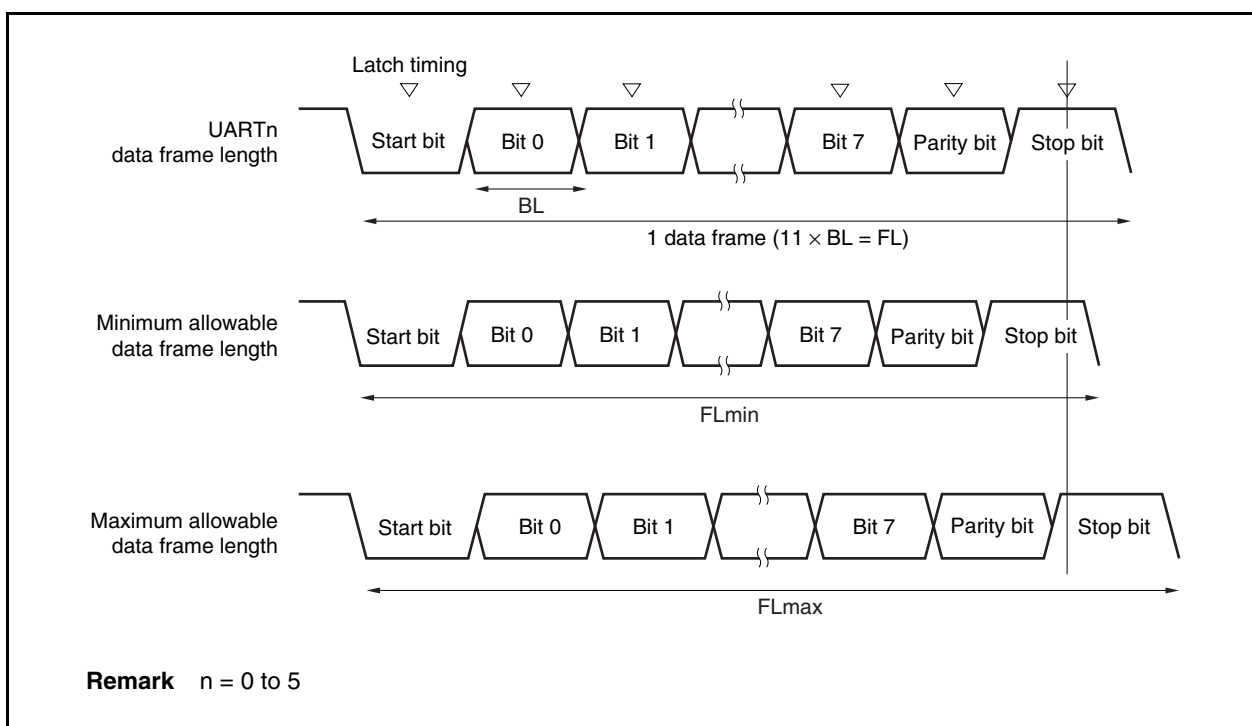
ERR: Baud rate error (%)

(5) Allowable baud rate range during reception

The baud rate error range at the destination that is allowable during reception is shown below.

Caution The baud rate error indicated below is a theoretical value. In practice, the signal might be distorted, or communication might not be performed normally even if the error is within the allowable range. Therefore, the error must be minimized.

Figure 16-18. Allowable Baud Rate Range During Reception



As shown in Figure 16-18, the receive data latch timing is determined by the counter set using the UAnCTL2 register following start bit detection. The transmit data can be received normally if up to the last data (stop bit) can be received in time for this latch timing.

When this is applied to 11-bit reception, the following is the theoretical result.

$$BL = (\text{Brate})^{-1}$$

Brate: UARTAn baud rate (n = 0 to 2)

k: Setting value of UAnCTL2.UAnBRS7 to UAnCTL2.UAnBRS0 bits (n = 0 to 2)

BL: 1-bit data length

FL: Length of 1 data frame

Latch timing margin: 2 clock cycles

$$\text{Minimum allowable data frame length: } FL_{\min} = 11 \times BL - \frac{k-2}{2k} \times BL = \frac{21k+2}{2k} BL$$

Therefore, the maximum baud rate that can be received by the destination is as follows.

$$BR_{\max} = (FL_{\min}/11)^{-1} = \frac{22k}{21k + 2} \text{ Brate}$$

Similarly, obtaining the maximum allowable data frame length yields the following.

$$\frac{10}{11} \times FL_{\max} = 11 \times BL - \frac{k + 2}{2 \times k} \times BL = \frac{21k - 2}{2 \times k} BL$$

$$FL_{\max} = \frac{21k - 2}{20k} BL \times 11$$

Therefore, the minimum baud rate that can be received by the destination is as follows.

$$BR_{\min} = (FL_{\max}/11)^{-1} = \frac{20k}{21k - 2} \text{ Brate}$$

Obtaining the allowable baud rate error for UARTA and the destination from the above-described equations yields the following.

Table 16-7. Maximum/Minimum Allowable Baud Rate Error (11-Bit Length)

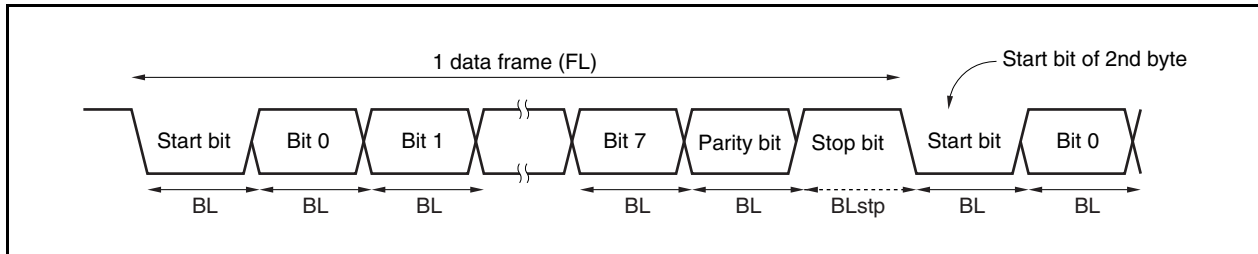
Division Ratio (k)	Maximum Allowable Baud Rate Error	Minimum Allowable Baud Rate Error
4	+2.32%	-2.43%
8	+3.53%	-3.61%
20	+4.26%	-4.31%
50	+4.56%	-4.58%
100	+4.66%	-4.67%
255	+4.72%	-4.73%

- Remarks 1.** The reception accuracy depends on the bit count in 1 frame, the base clock frequency (f_{CLK}), and the division ratio (k). The higher the base clock frequency (f_{CLK}) and the larger the division ratio (k), the higher the accuracy.
- 2.** k: Setting value of UAnCTL2.UAnBRS7 to UAnCTL2.UAnBRS0 bits (n = 0 to 2)

(6) Data frame length during continuous transmission

In continuous transmission, the data frame length from the stop bit to the next start bit is 2 base clock cycles longer than usual. However, timing initialization is performed via start bit detection by the receiving side, so this has no influence on the transfer result.

Figure 16-19. Data Frame Length During Continuous Transmission



Assuming a 1 bit data length of BL; a stop bit length of BLstp; and a base clock frequency of f_{uCLK} , we obtain the following equation.

$$\text{BLstp} = \text{BL} + 2/f_{\text{uCLK}}$$

Therefore, the transfer rate during continuous transmission is as follows.

$$\text{Data frame length} = 11 \times \text{BL} + (2/f_{\text{uCLK}})$$

16.8 Cautions

- (1) When the clock supply to UARTAn is stopped (for example, in IDLE1, IDLE2, or STOP mode), the operation stops with each register retaining the value it had immediately before the clock supply was stopped. The TXDAn pin output also holds and outputs the value it had immediately before the clock supply was stopped. However, the operation is not guaranteed after the clock supply is resumed. Therefore, after the clock supply is resumed, the circuits should be initialized by setting the UAnCTL0.UAnPWR, UAnCTL0.UAnRXEn, and UAnCTL0.UAnTXEn bits to 0, 0, 0.
- (2) The RXDA1 and KR7 pins must not be used at the same time. When using the RXDA1 pin, do not use the KR7 pin. When using the KR7 pin, do not use the RXDA1 pin. (It is recommended to set the PFC91 bit to 1 and clear PFCE91 bit to 0.)
- (3) In UARTAn, the interrupt caused by a communication error does not occur. When transferring transmit data and receive data using DMA transfer, error processing cannot be performed even if errors (parity, overrun, framing) occur during transfer. Either read the UAnSTR register after DMA transfer has been completed to make sure that there are no errors, or read the UAnSTR register during communication to check for errors.
- (4) RXDA0 and INTP7 use the same pin. To use the pin for the RXDA0 function, disable edge detection for INTP7 (INTF3.INTF31 bit = 0, INTR3.INTR31 bit = 0).
- (5) Start up UARTAn in the following sequence.
 - <1> Set the UAnCTL0.UAnPWR bit to 1.
 - <2> Set the ports.
 - <3> Set the UAnCTL0.UAnTXE bit to 1 and the UAnCTL0.UAnRXE bit to 1.
- (6) Stop UARTAn in the following sequence.
 - <1> Set the UAnCTL0.UAnTXE bit to 0 and the UAnCTL0.UAnRXE bit to 0.
 - <2> Set the ports and set the UAnCTL0.UAnPWR bit to 0 (it is not a problem if the port settings are not changed).
- (7) In transmit mode (UAnCTL0.UAnPWR bit = 1 and UAnCTL0.UAnTXE bit = 1), do not overwrite the same value to the UAnTX register by software because transmission starts by writing to this register. To transmit the same value continuously, overwrite the same value.
- (8) In continuous transmission, the period from the stop bit to the next start bit is 2 base clock cycles longer than usual. However, the reception side initializes the timing by detecting the start bit, so the reception result is not affected.
- (9) UARTA cannot identify the start bit if low level signals are continuously input to the RXDAn pin.

CHAPTER 17 ASYNCHRONOUS SERIAL INTERFACE C (UARTC)

The V850ES/JG3-L have a 1-channel UARTC.

17.1 Features

- On-chip dedicated baud rate generator
- Transfer rate: 300 bps to 625 kbps (using dedicated baud rate generator)
- Full-duplex communication
- Double buffer configuration Internal UARTC0 receive data register (UC0RX)
Internal UARTC0 transmit data register (UC0TX)
- Reception error detection function
 - Parity error
 - Framing error
 - Overrun error
- Interrupt sources: 2
 - Reception complete interrupt (INTUC0R): This interrupt occurs upon transfer of receive data from the receive shift register to the receive data register after serial transfer completion, in the reception enabled status.
 - Transmission enable interrupt (INTUC0T): This interrupt occurs upon transfer of transmit data from the transmit data register to the transmit shift register in the transmission enabled status. (Continuous transmission is possible.)
- Character length: 7 to 9 bits
- Parity function: Odd, even, 0, none
- Transmission stop bit: 1, 2 bits
- MSB-/LSB-first transfer selectable
- Internal digital noise filter
- Inverted input/output of transmit/receive data possible
- SBF (Sync Break Field) transmission/reception in the LIN (Local Interconnect Network) communication format
 - 13 to 20 bits selectable for SBF transmission
 - Recognition of 11 bits or more possible for SBF reception
 - SBF reception flag provided

17.2 Configuration

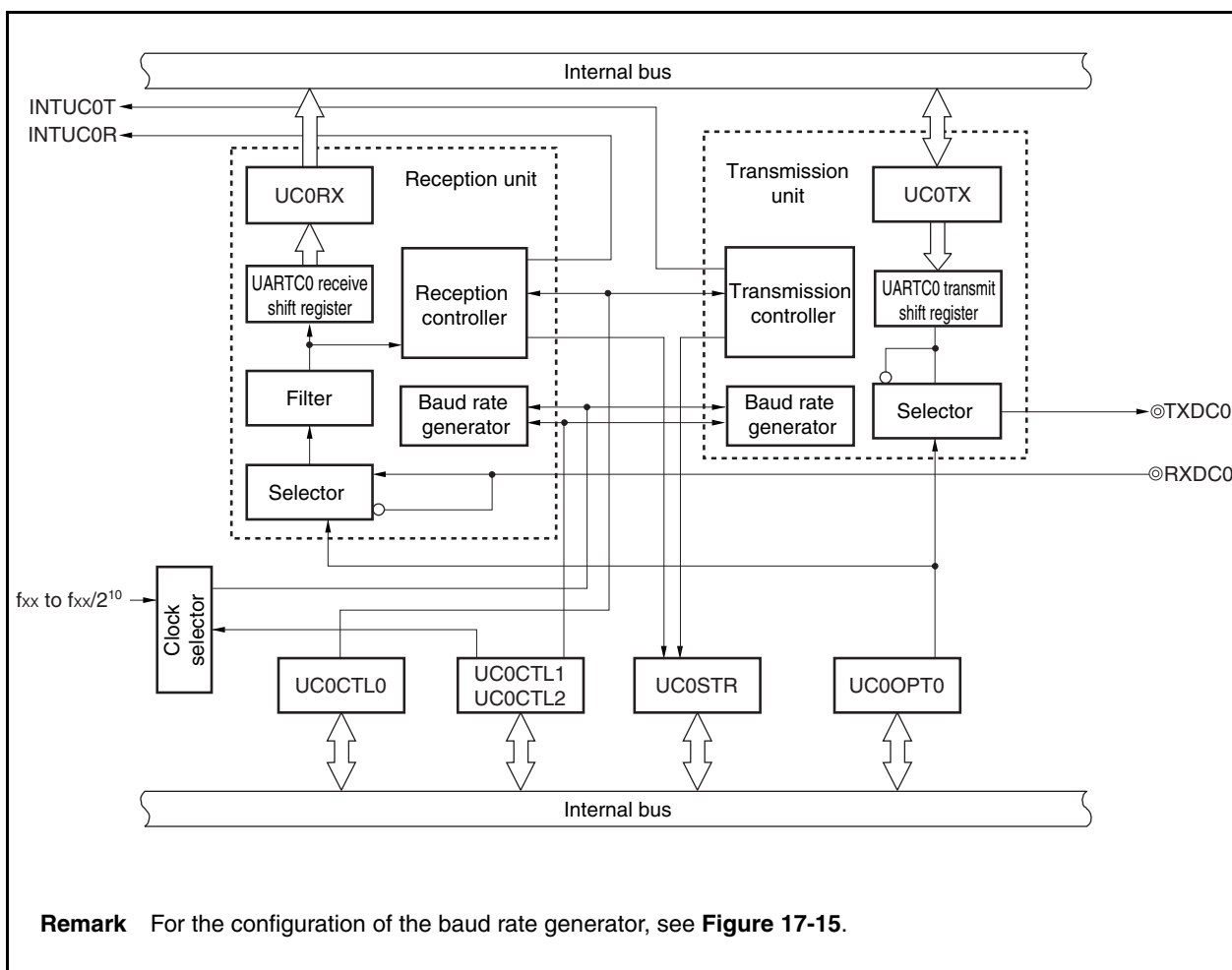
UARTC0 includes the following hardware.

Table 17-1. Configuration of UARTC0

Item	Configuration
Registers	UARTC0 control register 0 (UC0CTL0)
	UARTC0 control register 1 (UC0CTL1)
	UARTC0 control register 2 (UC0CTL2)
	UARTC0 option control register 0 (UC0OPT0)
	UARTC0 option control register 1 (UC0OPT1)
	UARTC0 status register (UC0STR)
	UARTC0 receive shift register
	UARTC0 receive data register (UC0RX)
	UARTC0 transmit shift register
	UARTC0 transmit data register (UC0TX)

The block diagram of the UARTC0 is shown below.

Figure 17-1. Block Diagram of UARTC0



(1) UARTC0 control register 0 (UC0CTL0)

The UC0CTL0 register is an 8-bit register used to specify the operation of UARTC0.

(2) UARTC0 control register 1 (UC0CTL1)

The UC0CTL1 register is an 8-bit register used to select the base clock (f_{UCLK}) for UARTC0.

(3) UARTC0 control register 2 (UC0CTL2)

The UC0CTL2 register is an 8-bit register used with the UC0CTL1 register to generate the baud rate for UARTC0.

(4) UARTC0 option control register 0 (UC0OPT0)

The UC0OPT0 register is an 8-bit register used to control SBF transmission/reception in the LIN communication format and the level of the transmission/reception signals for the UARTC0.

(5) UARTC0 option control register 1 (UC0OPT1)

The UC0OPT1 register is an 8-bit register used to control 9-bit length serial transfer for the UARTC0.

(6) UARTC0 status register (UC0STR)

The UC0STR register is an 8-bit register that indicates the contents of a reception error. Each one of the reception error flags is set (to 1) upon the occurrence of a reception error.

(7) UARTC0 receive shift register

This is a shift register used to convert the serial data input to the RXDC0 pin into parallel data. Upon reception of 1-character data and detection of the stop bit, the receive data is transferred to the UC0RX register.

This register cannot be manipulated directly.

(8) UARTC0 receive data register (UC0RX)

The UC0RX register is an 8-bit buffer register that holds receive data.

In the reception enabled status, receive data is transferred from the UARTC0 receive shift register to the UC0RX register in synchronization with the completion of shift-in processing of 1 character.

Transfer to the UC0RX register also causes the reception complete interrupt request signal (INTUC0R) to be output.

(9) UARTC0 transmit shift register

The transmit shift register is a shift register used to convert the parallel data transferred from the UC0TX register into serial data.

When 1-character data is transferred from the UC0TX register, the shift register data is output from the TXDC0 pin.

This register cannot be manipulated directly.

(10) UARTC0 transmit data register (UC0TX)

The UC0TX register is an 8-bit transmit data buffer. Transmission starts when transmit data is written to the UC0TX register. When data can be written to the UC0TX register (when 1-character data is transferred from the UC0TX register to the UARTC0 transmit shift register), the transmission enable interrupt request signal (INTUC0T) is generated.

17.2.1 Pin functions of each channel

The RXDC0 and TXDC0 pins used by UARTC are used for other functions as shown in Table 17-2. To use these pins for UARTC, set the related registers as described in **Table 4-15 Settings When Pins Are Used for Alternate Functions**.

Table 17-2. Pins Used by UARTC

Channel	Pin No.		Port	UARTC Reception Input	UARTC Transmission Output	Other Functions
	GC	F1				
UARTC0	50	J11	P97	RXDC0	–	SIB7/TIP20/TOP20
	49	K11	P96	–	TXDC0	TIP21/TOP21

Remark GC: 100-pin plastic LQFP (fine pitch) (14 × 14)

F1: 121-pin plastic FBGA (8 × 8)

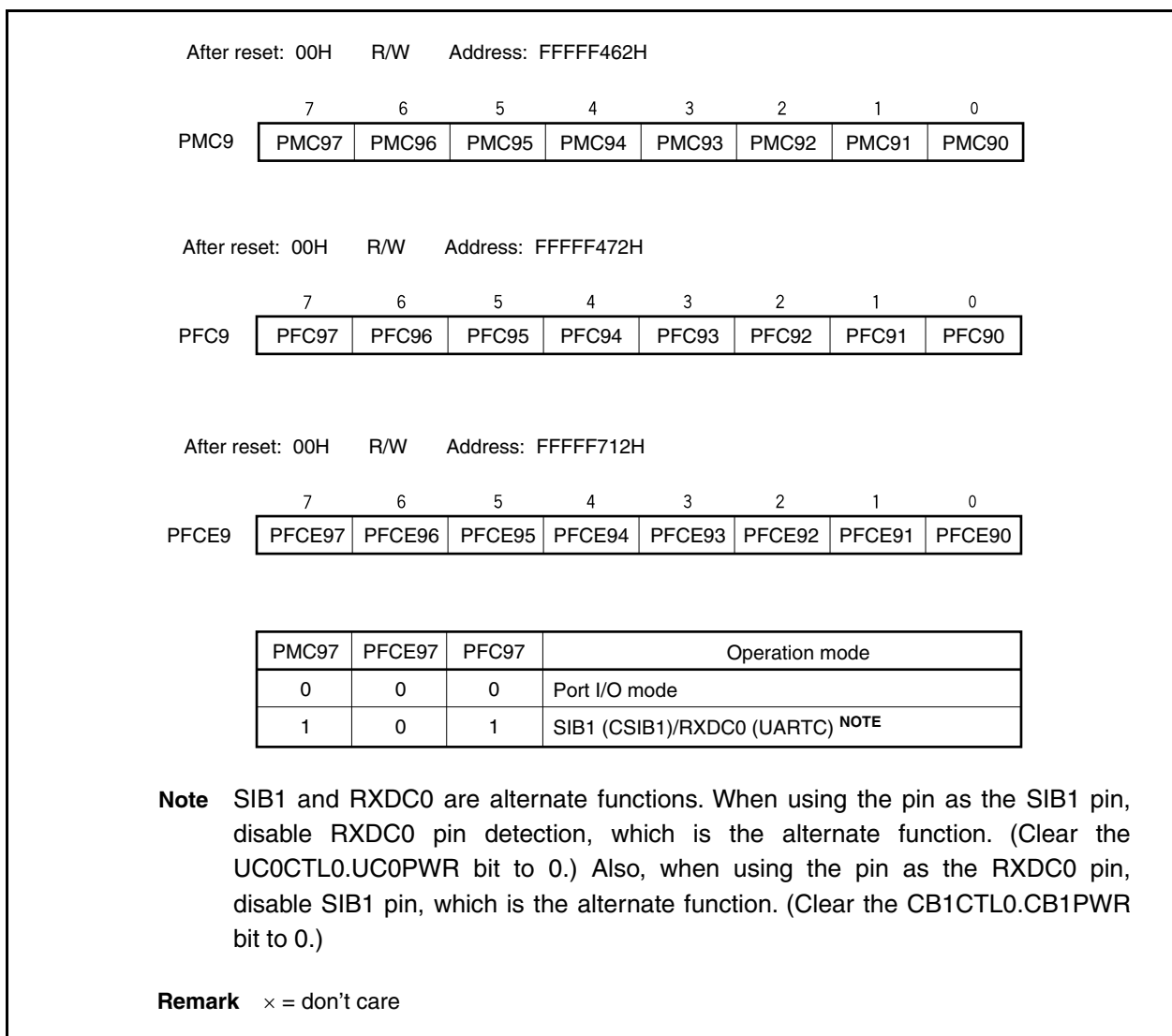
17.3 Mode Switching of UARTC and Other Serial Interfaces

17.3.1 UARTC0 and CSIB1 mode switching

In the V850ES/JG3-L, CSIB1 and UARTC0 share the same pins and therefore cannot be used simultaneously. Set UARTC0 in advance, using the PMC9 and PFC9 registers, before use.

Caution The transmit/receive operation of CSIF4 and UARTC0 is not guaranteed if these functions are switched during transmission or reception. Be sure to disable the one that is not used.

Figure 17-2. CSIF4 and UARTC0 Mode Switch Settings



17.4 Registers

(1) UARTC0 control register 0 (UC0CTL0)

The UC0CTL0 register is an 8-bit register that controls the UARTC0 serial transfer operation.

This register can be read or written in 8-bit or 1-bit units.

Reset sets this register to 10H.

(1/2)

After reset: 10H R/W Address: FFFF0A0H								
UC0CTL0	<7>	<6>	<5>	<4>	3	2	1	0
	UC0PWR	UC0TXE	UC0RXE	UC0DIR	UC0PS1	UC0PS0	UC0CL	UC0SL
	UC0PWR	UARTC0 operation control						
	0	Disable UARTC0 operation (UARTC0 reset asynchronously)						
	1	Enable UARTC0 operation						
	The UARTC0 operation is controlled by the UC0PWR bit. The TXDC0 pin output is fixed to high level by clearing the UC0PWR bit to 0 (fixed to low level if UC0OPT0.UC0TDL bit = 1).							
	UC0TXE	Transmission operation enable						
	0	Disable transmission operation						
	1	Enable transmission operation						
	<ul style="list-style-type: none"> To start transmission, set the UC0PWR bit to 1 and then set the UC0TXE bit to 1. To stop transmission, clear the UC0TXE bit to 0 and then UC0PWR bit to 0. To initialize the transmission unit, clear the UC0TXE bit to 0, wait for two cycles of the base clock, and then set the UC0TXE bit to 1 again. Otherwise, initialization may not be executed (for the base clock, see 17.7 (1) (a) Base clock). When UARTC0 operation is enabled (UC0PWR bit = 1) and the UC0TXE bit is set to 1, transmission is enabled after at least two cycles of the base clock (f_{CLK}) have elapsed. 							
	UC0RXE	Reception operation enable						
	0	Disable reception operation						
	1	Enable reception operation						
	<ul style="list-style-type: none"> To start reception, set the UC0PWR bit to 1 and then set the UC0RXE bit to 1. To stop reception, clear the UC0RXE bit to 0 and then UC0PWR bit to 0. To initialize the reception unit, clear the UC0RXE bit to 0, wait for two cycles of the base clock, and then set the UC0RXE bit to 1 again. Otherwise, initialization may not be executed (for the base clock, see 17.7 (1) (a) Base clock). When UARTC0 operation is enabled (UC0PWR bit = 1) and the UC0RXE bit is set to 1, reception is enabled after at least two cycles of the base clock (f_{CLK}) have elapsed. If a start bit is received before reception is enabled, the start bit is ignored. 							

(2/2)

UC0DIR	Data transfer order
0	MSB first
1	LSB first

- This register can be rewritten only when the UC0PWR bit is 0 or the UC0TXE bit and the UC0RXE bit are 0.
- When transmission and reception are performed in the LIN format, set the UC0DIR bit to 1.

UC0PS1	UC0PS0	Parity selection during transmission	Parity selection during reception
0	0	No parity output	Reception with no parity
0	1	0 parity output	Reception with 0 parity
1	0	Odd parity output	Odd parity check
1	1	Even parity output	Even parity check

- This register is rewritten only when the UC0PWR bit is 0 or the UC0TXE bit and the UC0RXE bit are 0.
- If “Reception with 0 parity” is selected during reception, a parity check is not performed. Therefore, the UC0STR.UC0PE bit is not set.
- When transmission and reception are performed in the LIN format, clear the UC0PS1 and UC0PS0 bits to 00.

UC0CL	Specification of data character length of 1 frame of transmit/receive data
0	7 bits
1	8 bits

- This register can be rewritten only when the UC0PWR bit is 0 or the UC0TXE bit and the UC0RXE bit are 0.
- When transmission and reception are performed in the LIN format, set the UC0CL bit to 1.

UC0SL	Specification of length of stop bit for transmit data
0	1 bit
1	2 bits

This register can be rewritten only when the UC0PWR bit is 0 or the UC0TXE bit and the UC0RXE bit are 0.

Remark For details of parity, see 17.6.6 Parity types and operations.

(2) UARTC0 control register 1 (UC0CTL1)

For details, see 17.7 (2) UARTC0 control register 1 (UC0CTL1).

(3) UARTC0 control register 2 (UC0CTL2)

For details, see 17.7 (3) UARTC0 control register 2 (UC0CTL2).

(4) UARTC0 option control register 0 (UC0OPT0)

The UC0OPT0 register is an 8-bit register used to control SBF transmission/reception in the LIN communication format and the level of the transmission/reception signals for the UARTC0.

This register can be read or written in 8-bit or 1-bit units.

Reset sets this register to 14H.

(1/2)

After reset: 14H		R/W	Address: FFFFFFFAA3H							
			<7>	6	5	4	3	2	1	0
UC0OPT0	UC0SRF	UC0SRT	UC0STT	UC0SLS2	UC0SLS1	UC0SLS0	UC0TDL	UC0RDL		
	UC0SRF	SBF reception flag								
	0	The UC0CTL0.UC0PWR bit or the UC0CTL0.UC0RXE bit is set to 0, or SBF reception ends normally.								
	1	During SBF reception								
	<ul style="list-style-type: none"> • This bit indicates whether SBF (Sync Brake Field) is received in LIN communication. • When an SBF reception error occurs, the UC0SRF bit remains 1 and SBF reception is started again. • The UC0SRF bit is a read-only bit. 									
	UC0SRT	SBF reception trigger								
	0	-								
	1	SBF reception trigger								
	<ul style="list-style-type: none"> • This is the SBF reception trigger bit during LIN communication, and is always 0 when read. • For SBF reception, set the UC0SRT bit (to 1) to enable SBF reception. • Set the UC0SRT bit after setting the UC0PWR bit and UC0RXE bit to 1. 									
	UC0STT	SBF transmission trigger								
	0	-								
	1	SBF transmission trigger								
	<ul style="list-style-type: none"> • This is the SBF transmission trigger bit during LIN communication, and is always 0 when read. • Setting this bit to 1 triggers SBF transmission. • Set the UC0STT bit after setting the UC0PWR bit and UC0TXE bit to 1. 									
Caution Do not set the UC0SRT and UC0STT bits (to 1) during SBF reception (UC0SRF bit = 1).										

(2/2)

UC0SLS2	UC0SLS1	UC0SLS0	SBF transmit length selection
1	0	1	13-bit output (initial value)
1	1	0	14-bit output
1	1	1	15-bit output
0	0	0	16-bit output
0	0	1	17-bit output
0	1	0	18-bit output
0	1	1	19-bit output
1	0	0	20-bit output

This register can be set when the UC0PWR bit or the UC0TXE bit is 0.

UC0TDL	Transmit data level bit
0	Normal output of transfer data
1	Inverted output of transfer data

- The output level of the TXDC0 pin can be inverted by using the UC0TDL bit.
- This register can be set when the UC0PWR bit or the UC0TXE bit is 0.

UC0RDL	Receive data level bit
0	Normal input of transfer data
1	Inverted input of transfer data

- The input level of the RXDC0 pin can be inverted by using the UC0RDL bit.
- This register can be set when the UC0PWR bit or the UC0RXE bit is 0.

(5) UARTC0 option control register 1 (UC0OPT1)

The UC0OPT1 register is an 8-bit register that controls the serial transfer operation of UARTC0.

This register can be read or written in 8-bit or 1-bit units.

Reset sets this register to 00H.

Caution Set the UC0EBE bit while the operation of UARTC is disabled (UC0CTL0.UC0PWR = 0).

After reset: 00H		R/W	Address: UC0OPT1 FFFFFFFAAH					
	7	6	5	4	3	2	1	0
UC0OPT1	0	0	0	0	0	0	0	UC0EBE
UC0EBE	Extension bit enable/disable							
0	Extension-bit operation is prohibited. Transmission/reception is performed in the data length set by the UC0CTL0.UC0CL bit.							
1	Extension-bit operation enabled. Transmission/reception can be performed in 9-bit character length.							
<ul style="list-style-type: none"> • When setting the UC0EBE bit to 1, and transmitting in 9-bit data length, be sure to set the following. If this setting is not performed, the setting of UC0EBE bit is invalid. • UC0CTL0.UC0PS1, UC0PS0 = 00 (no parity) • UC0CTL0.UC0CL = 1 (8-bit character length) • If transmitting or receiving in the LIN communication format, set the UC0EBE to 0. 								

The following shows the relationship between the register setting value and the data format.

Table 17-3. Relationship Between Register Setting and Data Format

Register Setting					Data Format				
UC0CTL0				UC0OPT1	D0 to D6	D7	D8	D9	D10
UC0CL	UC0PS1	UC0PS0	UC0SL	UC0EBE					
0	0	0	0	0	Data	Stop	–	–	–
0	Other than 00				Data	Parity	Stop	–	–
1	0	0			Data	Data	Stop	–	–
1	Other than 00				Data	Data	Parity	Stop	–
0	0	0	1	0	Data	Stop	Stop	–	–
0	Other than 00				Data	Parity	Stop	Stop	–
1	0	0			Data	Data	Stop	Stop	–
1	Other than 00				Data	Data	Parity	Stop	Stop
0	0	0	0	1	Data	Stop	–	–	–
0	Other than 00				Data	Parity	Stop	–	–
1	0	0			Data	Data	Data	Stop	–
1	Other than 00				Data	Data	Parity	Stop	–
0	0	0	1	1	Data	Stop	Stop	–	–
0	Other than 00				Data	Parity	Stop	Stop	–
1	0	0			Data	Data	Data	Stop	Stop
1	Other than 00				Data	Data	Parity	Stop	Stop

Remark Data: Data bit
 Stop: Stop bit
 Parity: Parity bit

(6) UARTC0 status register (UC0STR)

The UC0STR register is an 8-bit register that displays the UARTC0 transfer status and reception error contents. This register can be read or written in 8-bit or 1-bit units, but the UC0TSF bit is a read-only bit, while the UC0PE, UC0FE, and UC0OVE bits can be both read and written. However, these bits can only be cleared by writing 0; they cannot be set by writing 1 (even if 1 is written to them, the previous value is retained). The conditions for clearing the UC0STR register are shown below.

Table 17-4. Conditions for Clearing STR Register

Register/Bit	Conditions for Clearing
UC0STR register	<ul style="list-style-type: none"> Reset UC0CTL0.UC0PWR = 0
UC0TSF bit	<ul style="list-style-type: none"> UC0CTL0.UC0TXE = 0
UC0PE, UC0FE, UC0OVE bits	<ul style="list-style-type: none"> 0 write UC0CTL0.UC0RXE = 0

After reset: 00H R/W Address: FFFFFFFAA4H

	<7>	6	5	4	3	<2>	<1>	<0>
UC0STR	UC0TSF	0	0	0	0	UC0PE	UC0FE	UC0OVE

UC0TSF	Transfer status flag
0	The transmit shift register does not have data. <ul style="list-style-type: none"> • When the UC0PWR bit or the UC0TXE bit has been set to 0. • When, following transfer completion, there was no next data transfer from UC0TX register
1	The transmit shift register has data. (Write to UC0TX register)

The UC0TSF bit is always 1 when performing continuous transmission. When initializing the transmission unit, check that the UC0TSF bit is 0 before performing initialization. The transmit data is not guaranteed when initialization is performed while the UC0TSF bit is 1.

UC0PE	Parity error flag
0	<ul style="list-style-type: none"> • When the UC0PWR bit or the UC0RXE bit has been set to 0. • When 0 has been written
1	The received parity bit does not match the specified parity.

- The operation of the UC0PE bit is controlled by the settings of the UC0CTL0.UC0PS1 and UC0CTL0.UC0PS0 bits.
- Once the UC0PE bit is set (1), the value is retained until the bit is cleared (0).
- The UC0PE bit can be read and written, but it can only be cleared by writing 0 to it; it cannot be set by writing 1 to it. When 1 is written to this bit, the previous value is retained.

UC0FE	Framing error flag
0	<ul style="list-style-type: none"> • When the UC0PWR bit or the UC0RXE bit has been set to 0 • When 0 has been written
1	When no stop bit is detected during reception

- Only the first bit of the receive data stop bits is checked, regardless of the value of the UC0CTL0.UC0SL bit.
- Once the UC0FE bit is set (1), the value is retained until the bit is cleared (0).
- The UC0FE bit can be both read and written, but it can only be cleared by writing 0 to it; it cannot be set by writing 1 to it. When 1 is written to this bit, the previous value is retained.

UC0OVE	Overrun error flag
0	<ul style="list-style-type: none"> • When the UC0PWR bit or the UC0RXE bit has been set to 0. • When 0 has been written
1	When receive data has been set to the UC0RX register and the next receive operation is completed before that receive data has been read

- When an overrun error occurs, the data is discarded without the next receive data being written to the receive buffer.
- Once the UC0OVE bit is set (1), the value is retained until the bit is cleared (0).
- The UC0OVE bit can be both read and written, but it can only be cleared by writing 0 to it; it cannot be set by writing 1 to it. When 1 is written to this bit, the previous value is retained.

(7) UARTC0 receive data register L (UC0RXL) and UARTC0 receive data register (UC0RX)

The UC0RXL and UC0RX register are an 8- bit or 9-bit buffer register that stores parallel data converted by the receive shift register.

The data stored in the receive shift register is transferred to the UC0RXL and UC0RX register upon completion of reception of 1 byte of data.

During LSB-first reception when the data length has been specified as 7 bits, the receive data is transferred to bits 6 to 0 of the UC0RXL register and the MSB always becomes 0. During MSB-first reception, the receive data is transferred to bits 7 to 1 of the UC0RXL register and the LSB always becomes 0.

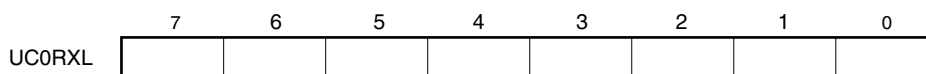
When an overrun error (UC0OVE) occurs, the receive data at this time is not transferred to the UC0RXL and UC0RX register and is discarded.

The access unit or reset value differs depending on the character length.

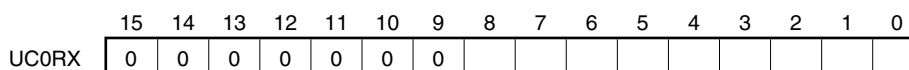
- Character length 7/8-bit (UC0OPT1.UC0EBE = 0)
 - This register is read-only, in 8-bit units.
 - Reset or UC0CTL0.UC0PWR bit = 0 sets this register to FFH.
- Character length 9-bit (UC0OPT1.UC0EBE = 1)
 - This register is read-only, in 16-bit units.
 - Reset or UC0CTL0.UC0PWR bit = 0 sets this register to 01FFH.

(a) Character length 7/8-bit (UC0OPT1.UC0EBE = 0)

After reset: FFH R Address: UC0RXL FFFFFAA6H

**(b) Character length 9-bit (UC0OPT1.UC0EBE = 1)**

After reset: 01FFH R Address: UC0RX FFFFFAA6H



(8) UARTC0 transmit data register L (UC0TXL), UARTC0 transmit data register (UC0TX)

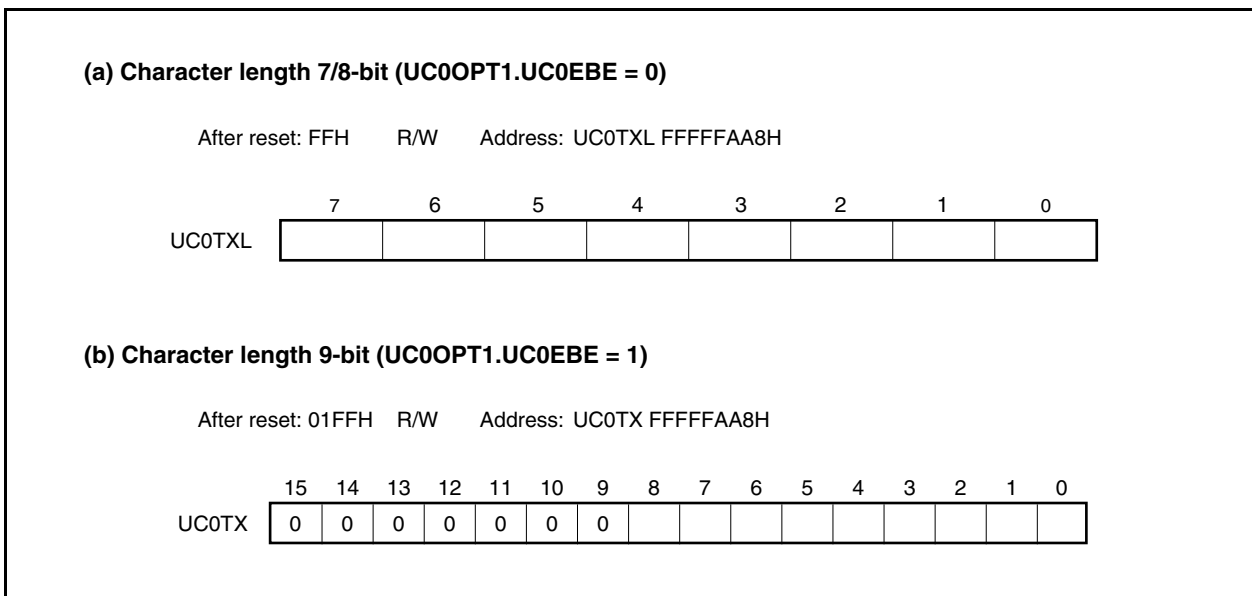
The UC0TXL and UC0TX register is an 8-bit or 9-bit register used to set transmit data.

During LSB-first transmission when the data length has been specified as 7 bits, the transmit data is transferred to bits 6 to 0 of the UC0RX register. During MSB-first transmission, the receive data is transferred to bits 7 to 1 of the UC0RX register.

The access unit or reset value differs depending on the character length.

- Character length 7/8-bit (UC0OPT1.UC0EBE = 0)
 This register can be read or written in 8-bit units.
 Reset sets this register to FFH.
- Character length 9-bit (UC0OPT1.UC0EBE = 1)
 This register can be read or written in 16-bit units.
 Reset sets this register to 01FFH.

- Cautions 1.** In the transmission operation enable status (UC0PWR = 1 and UC0TXE = 1), Writing to the UC0TXL, UC0TX register, as operate as trigger of transmission star, if writing the value of as soon as before and save value, before the INTUC0T interrupt is occurred, the same data is transferred at twice.
- 2.** Data writing for consecutive transmission, after be generated the INTUC0T interrupt. If writing the next data before the INTUC0T interrupt is occurred, transmission start processing and source of conflict writing the UC0TXL, UC0TX register, unexpected operations may occur.
- 3.** If perform to write the UC0TXL, UC0TXL in the disable transmission operation register, can not be used as transmission start trigger. Consequently, even if transmission enable status after perform to write the UC0TXL, UC0TX register in the disable transmission operation status, can not be started transmission.



17.5 Interrupt Request Signals

The following two interrupt request signals are generated from UARTC0.

- Reception complete interrupt request signal (INTUC0R)
- Transmission enable interrupt request signal (INTUC0T)

The default priority for these two interrupt request signals is reception complete interrupt request signal then transmission enable interrupt request signal.

Table 17-5. Interrupts and Their Default Priorities

Interrupt Request Signal	Priority
Reception complete	High
Transmission enable	Low

(1) Reception complete interrupt request signal (INTUC0R)

When the data stored in the receive shift register is transferred to the UC0RX register with reception enabled, the reception complete interrupt request signal is generated.

A reception complete interrupt request signal is also output when a reception error occurs. Therefore, when a reception complete interrupt request signal is acknowledged and the data is read, read the UC0STR register and check that the reception result is not an error.

No reception complete interrupt request signal is generated in the reception disabled status.

(2) Transmission enable interrupt request signal (INTUC0T)

If transmit data is transferred from the UC0TX register to the UARTC0 transmit shift register with transmission enabled, the transmission enable interrupt request signal is generated.

17.6 Operation

17.6.1 Data format

As shown in Figure 17-5, one frame of transmit/receive data consists of a start bit, character bits, parity bit, and stop bit(s).

Specification of the character bit length within 1 data frame, parity selection, specification of the stop bit length, and specification of MSB-first/LSB-first transfer are performed using the UC0CTL0 register.

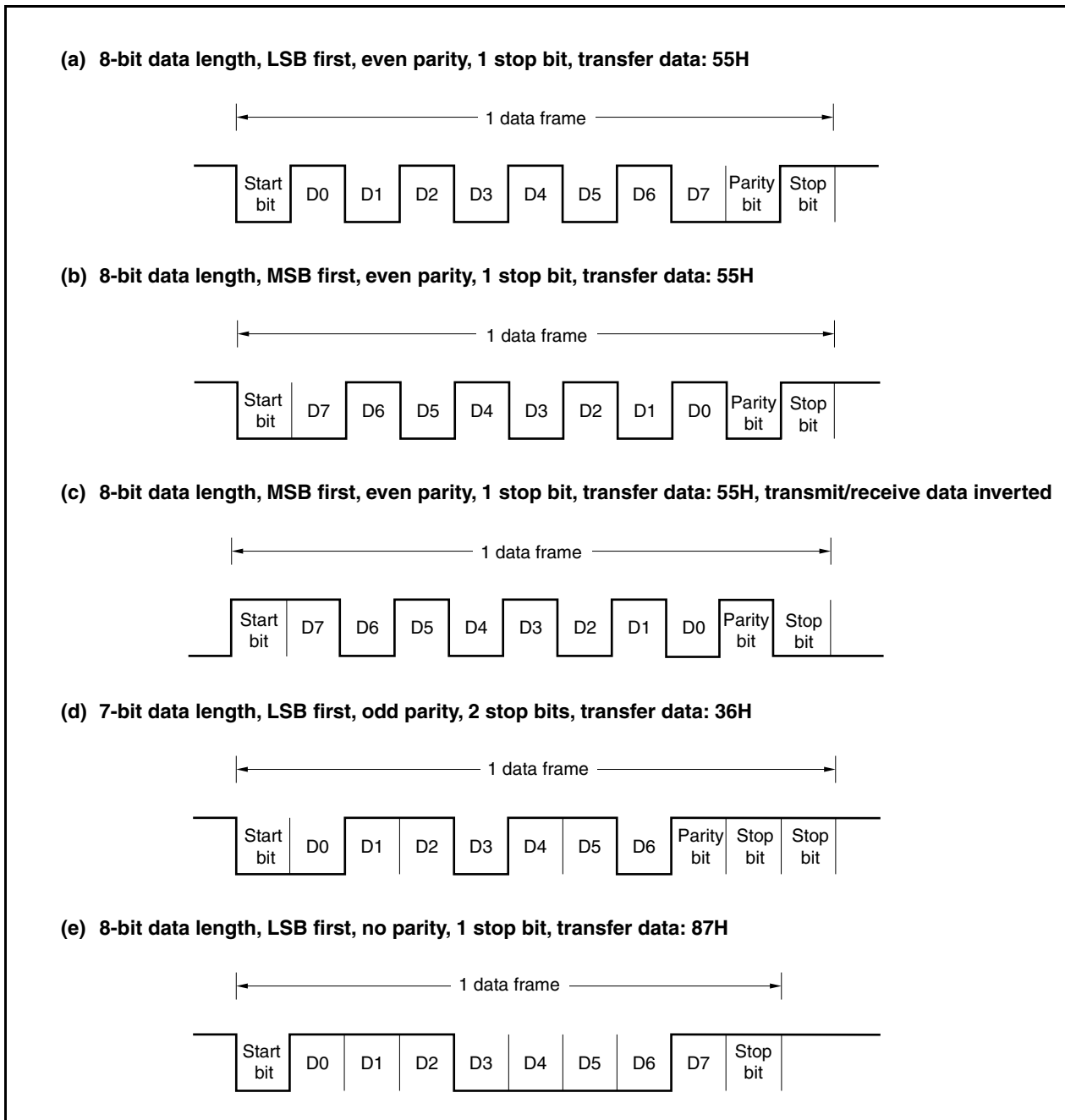
Specification of 9-bit character length is performed using the UC0OPT1 register.

The UC0OPT0.UC0TDL bit is used to specify normal output/inverted output for the data to be transferred via the TXDC0 pin.

The UC0OPT0.UC0RDL bit is used to specify normal input/inverted input for the data to be received via the RXDC0 pin.

- Start bit..... 1 bit
- Character bits 7 bits/8 bits/9 bits
- Parity bit Even parity/odd parity/0 parity/no parity
- Stop bit 1 bit/2 bits
- Input logic Normal input/inverted input
- Output logic Normal output/inverted output
- Communication direction MSB/LSB

Figure 17-3. UARTC Transmit/Receive Data Format



17.6.2 UART transmission

Transmission is enabled by setting the UC0CTL0.UC0PWR and UC0CTL0.UC0TXE bits to 1, and transmission is started by writing transmit data to the UC0TX register. The start bit, parity bit, and stop bit are automatically added.

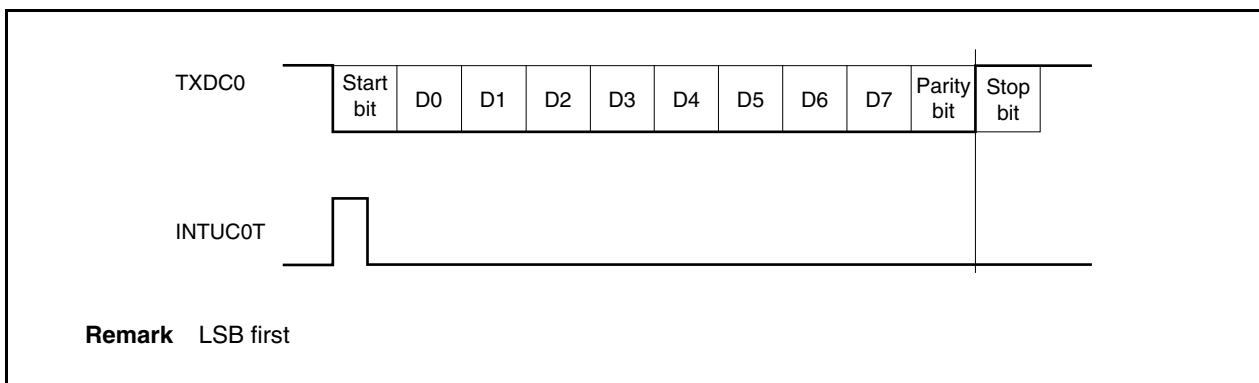
Since the CTS (transmit enable signal) input pin is not provided in UARTC0, use a port to check that reception is enabled at the transmit destination.

The data in the UC0TX register is transferred to the UARTC0 transmit shift register upon the start of transmission.

A transmission enable interrupt request signal (INTUC0T) is generated upon completion of transmission of the data of the UC0TX register to the UARTC0 transmit shift register, and the contents of the UARTC0 transmit shift register are output to the TXDC0 pin.

Writing the next transmit data to the UC0TX register is enabled after the INTUC0T signal is generated.

Figure 17-4. UART Transmission



17.6.3 Continuous transmission procedure

Writing transmit data to the UC0TX register with transmission enabled triggers transmission. The data in the UC0TX register is transferred to the UARTC0 transmit shift register, the transmission enable interrupt request signal (INTUC0T) is generated, and then shifting is started. After the transmission enable interrupt request signal (INTUC0T) is generated, the next transmit data can be written to the UC0TX register. The timing of UARTC0 transmit shift register transmission can be judged from the transmission enable interrupt request signal (INTUC0T).

An efficient communication rate is realized by writing the data to be transmitted next to the UC0TX register during transfer.

Caution When initializing transmission during the execution of continuous transmission, make sure that the UC0STR.UC0TSF bit is 0, then perform initialization. Transmit data that is initialized when the UC0TSF bit is 1 cannot be guaranteed.

Figure 17-5. Continuous Transmission Processing

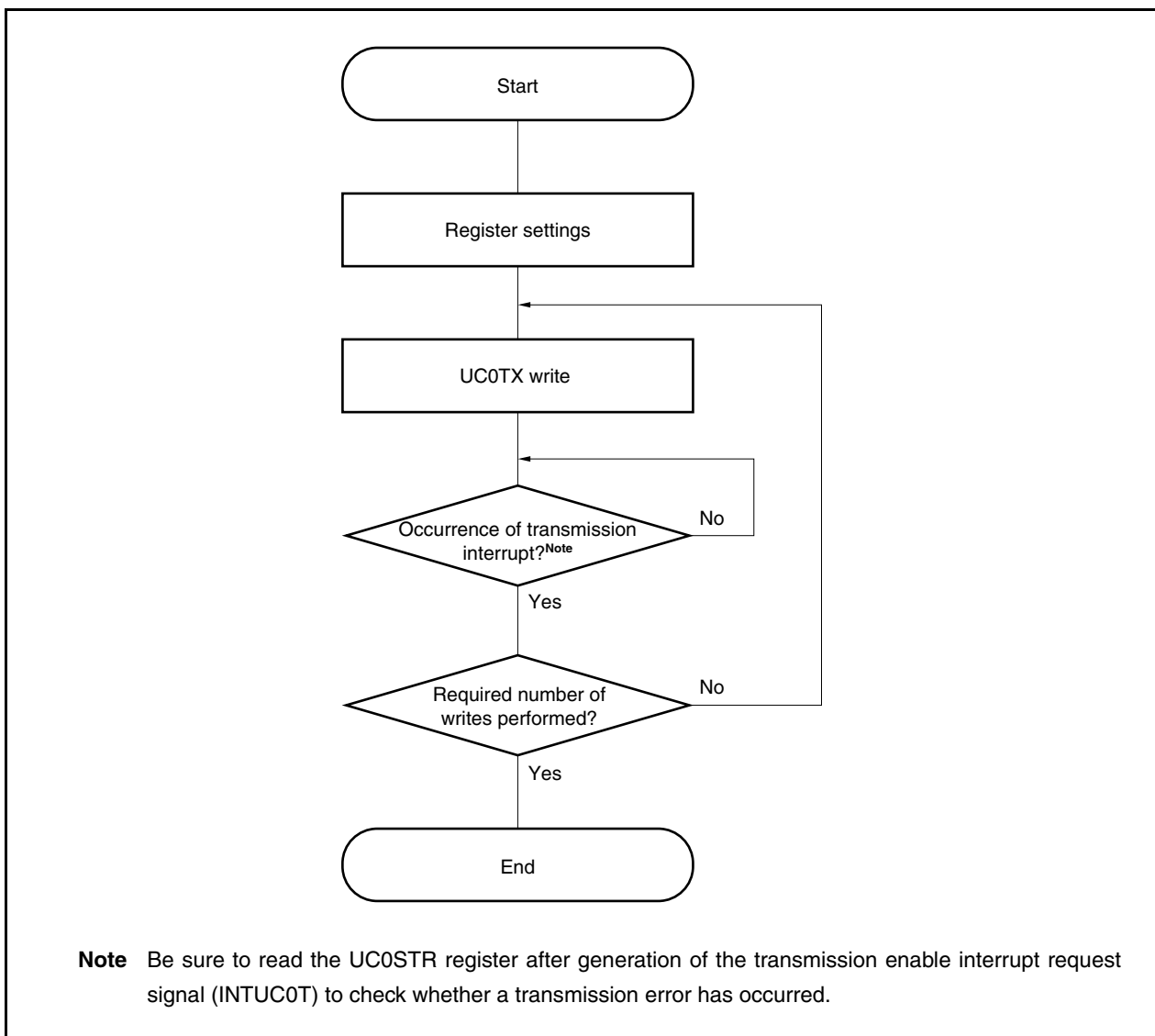
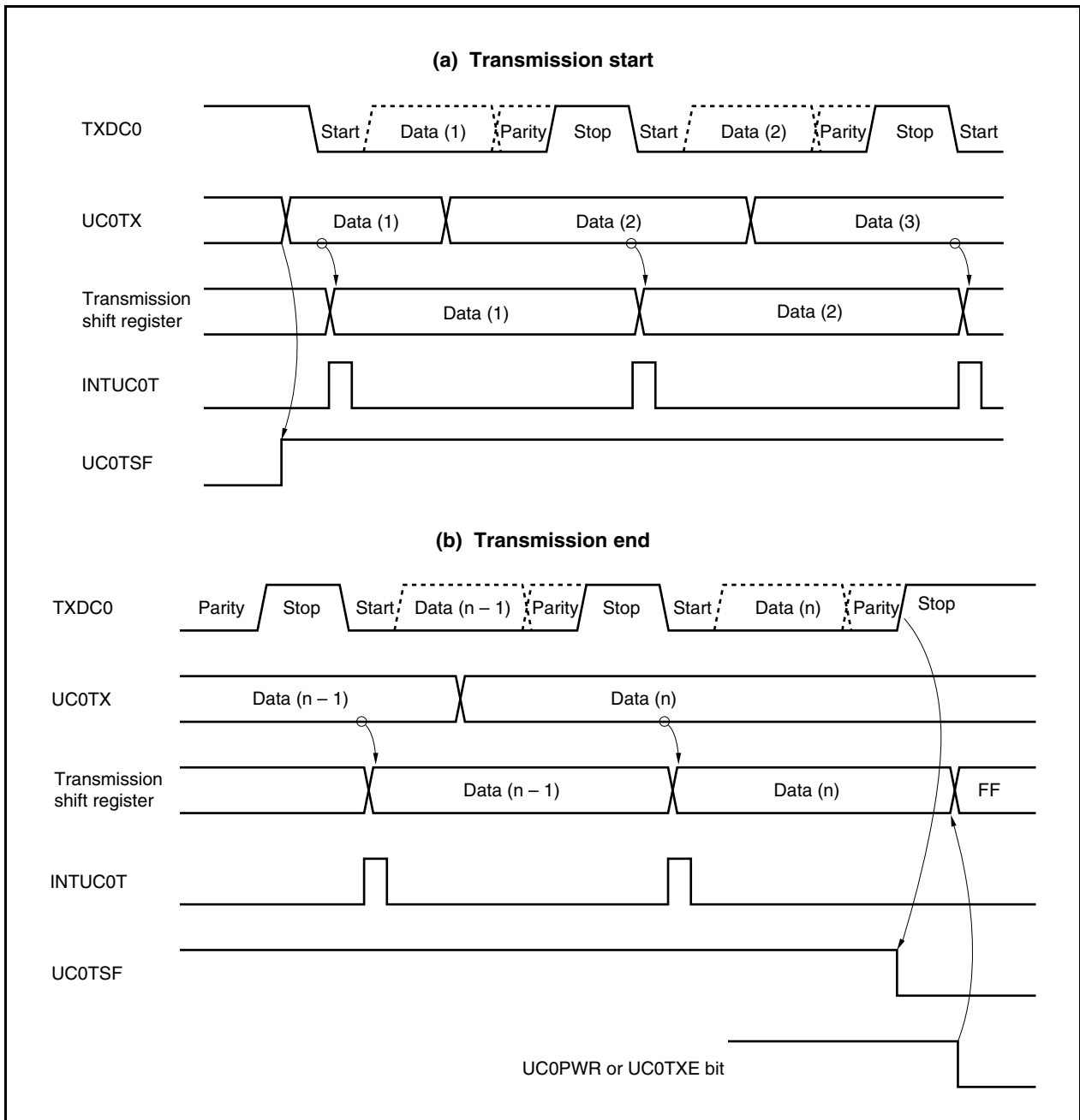


Figure 17-6. Continuous Transmission Operation Timing



17.6.4 UART reception

First, enable reception by executing the following operations and monitor the RXDC0 input to detect the start bit.

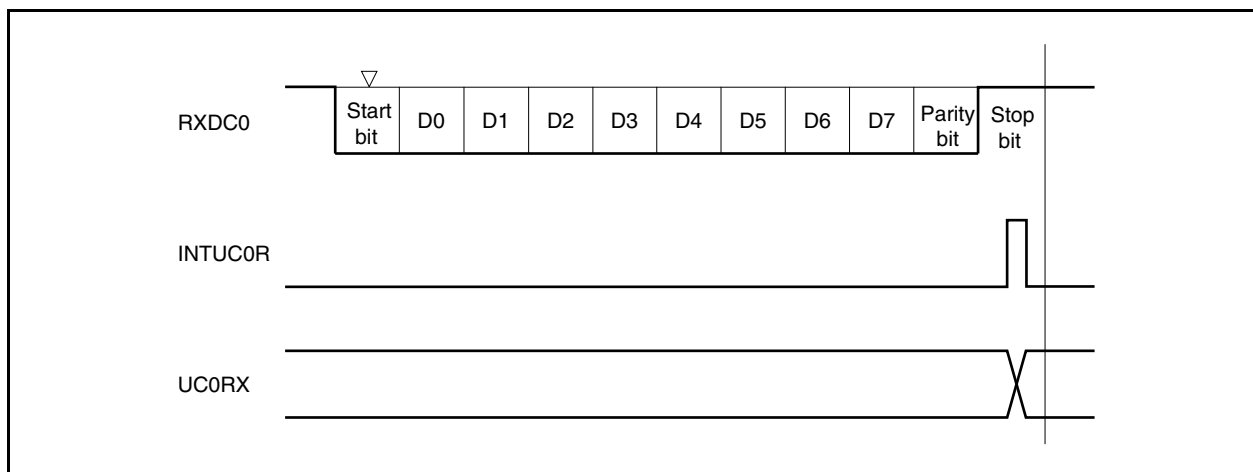
- Specify the operating clock by using UARTC control register 1 (UC0CTL1).
- Specify the baud rate by using UARTC control register 2 (UC0CTL2).
- Specify the output logic level by using UARTC option control register 0 (UC0OPT0).
- Specify the communication direction, parity, data character length, and stop bit length by using UARTC control register 0 (UC0CTL0).
- Set the power bit and reception enable bit (UC0PWR = 1 and UC0RXE = 1).

To change the communication direction, parity, data character length, and/or stop bit length, clear the power bit (UC0PWR = 0) or clear both the transmission enable bit and reception enable bit (UC0TXE = 0 and UC0RXE = 0) beforehand.

The level input to the RXDC0 pin is sampled by using the operating clock. If the falling edge is detected, sampling of data input to RXDC0 is started. If the data is low level half a bit after detection of the falling edge (indicated by ▽ in Figure 17-9), it is recognized as a start bit. When the start bit has been recognized, reception is started, and serial data is sequentially stored in the receive shift register at the specified baud rate. When the stop bit has been received, the reception complete interrupt request signal (INTUC0R) is generated and, at the same time, the data stored in the receive shift register is transferred to the receive data register (UC0RX).

If an overrun error occurs (UC0OVE = 1), however, the receive data is not transferred to UC0RX, but is discarded. On the other hand, even if a parity error (UC0PE = 1) or framing error (UC0FE = 1) occurs, reception continues and the receive data is transferred to the UC0RX register. No matter which reception error has occurred, the INTUC0R interrupt is generated after reception is complete.

Figure 17-7. UART Reception



- Cautions**
1. Be sure to read the UC0RX register even when a reception error occurs. If the UC0RX register is not read, an overrun error occurs during reception of the next data, and reception errors continue occurring indefinitely.
 2. Reception is performed assuming that there is only one stop bit. A second stop bit is ignored.
 3. When reception is completed, read the UC0RX register after the reception complete interrupt request signal (INTUC0R) has been generated, and clear the UC0RXE bit to 0. If the UC0RXE bit is cleared to 0 before the INTUC0R signal is generated, the read value of the UC0RX register cannot be guaranteed.
 4. If the receive completion processing (INTUC0R signal generation) of UARTC0 conflicts with setting the UC0PWR bit or UC0RXE bit to 0, the INTUC0R signal may be generated in spite of there being no data stored in the UC0RX register.

To complete reception without waiting for INTUC0R signal generation, be sure to clear (0) the interrupt request flag (UC0RIF) of the UC0RIC register, after setting (1) the interrupt mask flag (UC0RMK) of the interrupt control register (UC0RIC) and then set (1) the UC0PWR bit or UC0RXE bit to 0.

17.6.5 Reception errors

Three types of errors can occur during reception: parity errors, framing errors, and overrun errors. The data reception result error flag is set in the UC0STR register and a reception complete interrupt request signal (INTUC0R) is output when an error occurs.

It is possible to ascertain which error occurred during reception by reading the contents of the UC0STR register. Clear the reception error flag by writing 0 to it after reading it.

Figure 17-8. Reading Receive Data

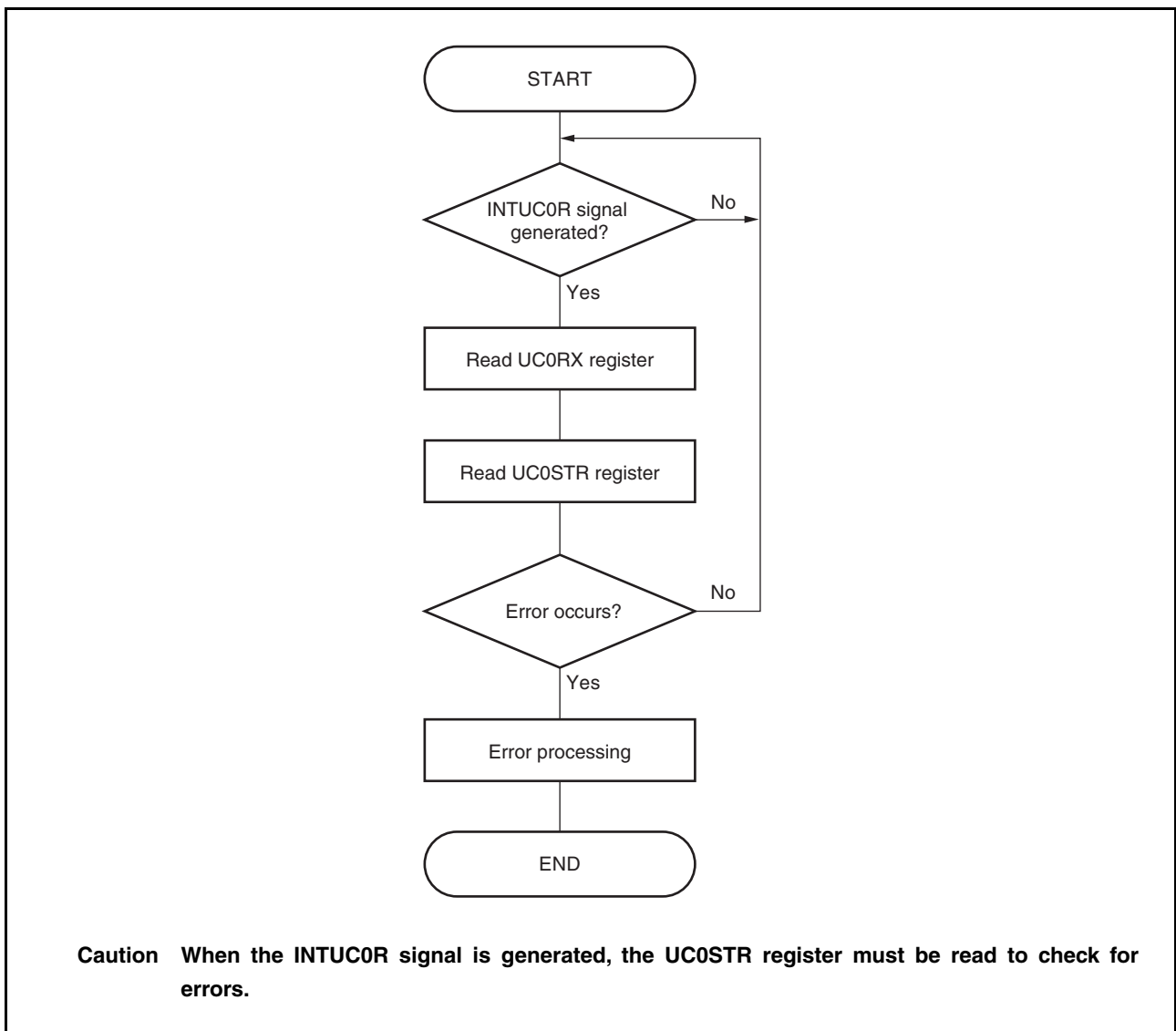


Table 17-6. Reception Error Causes

Error Flag	Reception Error	Cause
UC0PE	Parity error	The received parity bit does not match the setting.
UC0FE	Framing error	The stop bit was not detected.
UC0OVE	Overrun error	Reception of the next data was completed before data was read from the receive buffer.

When a reception error occurs, perform the following procedure according to the kind of error.

- Parity error
If false data is received due to problems such as noise on the reception line, discard the received data and retransmit.
- Framing error
A baud rate error may have occurred between the reception side and transmission side or a start bit may have been erroneously detected. Since this is a fatal error for the communication format, check that operation on the transmission side has stopped, initialize both sides, and then start the communication again.
- Overrun error
1 frame of data is discarded because the next reception is completed before data was read from the receive buffer. If this data was needed, retransmit the data.

Caution In reception, be sure to read the UC0STR register before completion of the next reception to check whether an error has occurred. If an error has occurred, perform error processing.

17.6.6 Parity types and operations

The parity bit is used to detect bit errors in the communication data. Normally the same parity is used on the transmission side and the reception side.

In the case of even parity and odd parity, it is possible to detect odd-count bit errors. In the case of 0 parity and no parity, errors cannot be detected.

(a) Even parity

(i) During transmission

The number of bits whose value is "1" among the transmit data, including the parity bit, is controlled so as to be an even number. The parity bit values are as follows.

- Odd number of bits whose value is "1" among transmit data: 1
- Even number of bits whose value is "1" among transmit data: 0

(ii) During reception

The number of bits whose value is "1" among the reception data, including the parity bit, is counted, and if it is an odd number, a parity error is output.

(b) Odd parity

(i) During transmission

Opposite to even parity, the number of bits whose value is "1" among the transmit data, including the parity bit, is controlled so that it is an odd number. The parity bit values are as follows.

- Odd number of bits whose value is "1" among transmit data: 0
- Even number of bits whose value is "1" among transmit data: 1

(ii) During reception

The number of bits whose value is "1" among the receive data, including the parity bit, is counted, and if it is an even number, a parity error is output.

(c) 0 parity

During transmission, the parity bit is always made 0, regardless of the transmit data.

During reception, a parity bit check is not performed. Therefore, no parity error occurs, regardless of whether the parity bit is 0 or 1.

(d) No parity

No parity bit is added to the transmit data.

Reception is performed assuming that there is no parity bit. No parity error occurs since there is no parity bit.

Caution When using the LIN function, fix the UC0PS1 and UC0PS0 bits of the UC0CTL0 register to 0, 0.

17.6.7 LIN transmission/reception format

The V850ES/JG3-L have an SBF (Sync Break Field) transmission/reception control function to enable use of the LIN function.

Remark LIN stands for Local Interconnect Network and is a low-speed (1 to 20 kbps) serial communication protocol intended to reduce costs of automotive networks.

LIN communication is single-master communication, and up to 15 slaves can be connected to the master.

The LIN slaves are used to control the switches, actuators, and sensors, and these are connected to the LIN master via the LIN network.

Normally, the LIN master is connected to a network such as CAN (Controller Area Network).

In addition, the LIN bus uses a single-wire method and is connected to the nodes via a transceiver that complies with ISO9141.

In the LIN protocol, the master transmits a frame with baud rate information and the slave receives it and corrects the baud rate error. Therefore, communication is possible when the baud rate error in the slave is $\pm 15\%$ or less.

Figures 17-9 and 17-10 outline the transmission and reception manipulations of LIN.

Figure 17-9. LIN Transmission Format

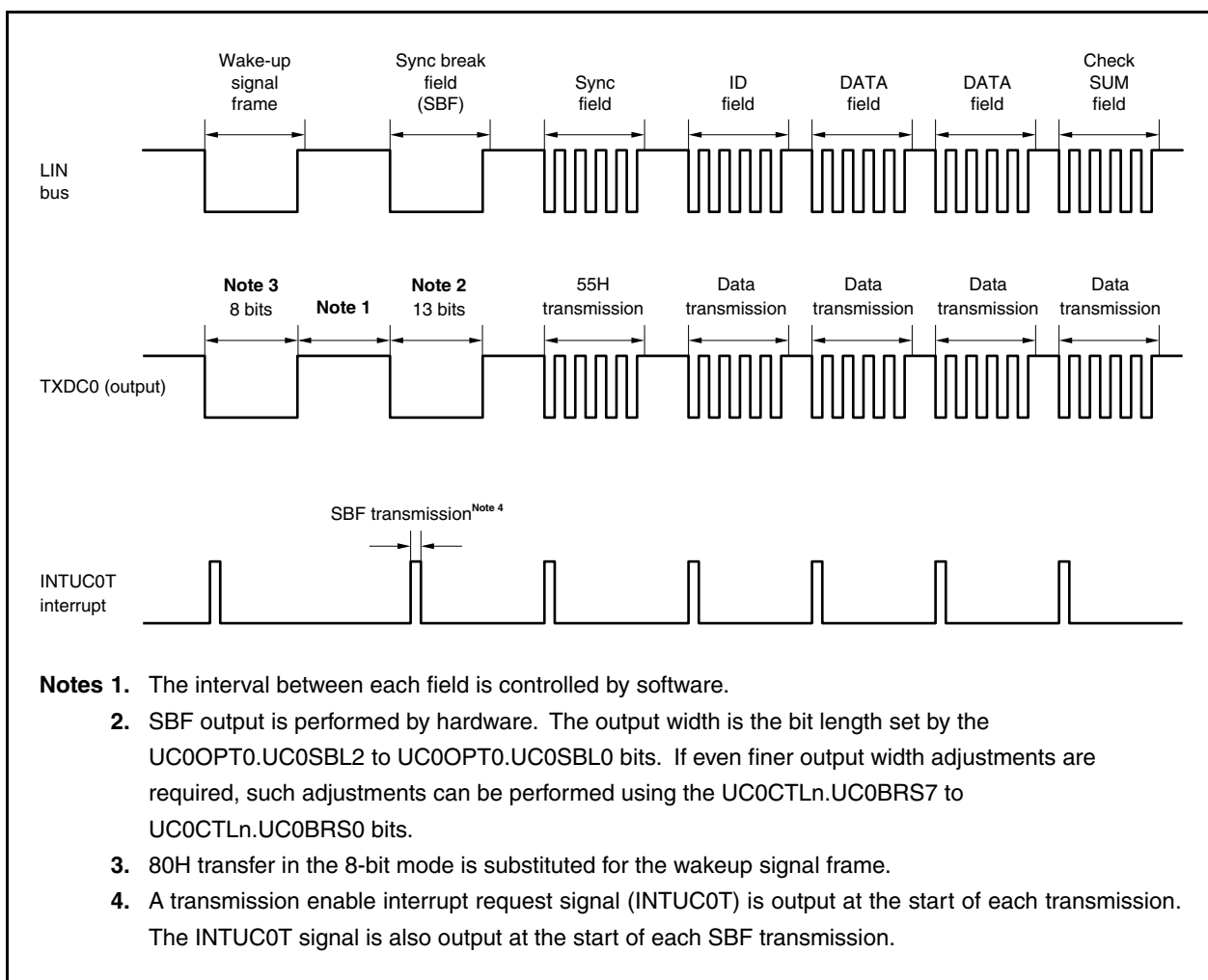
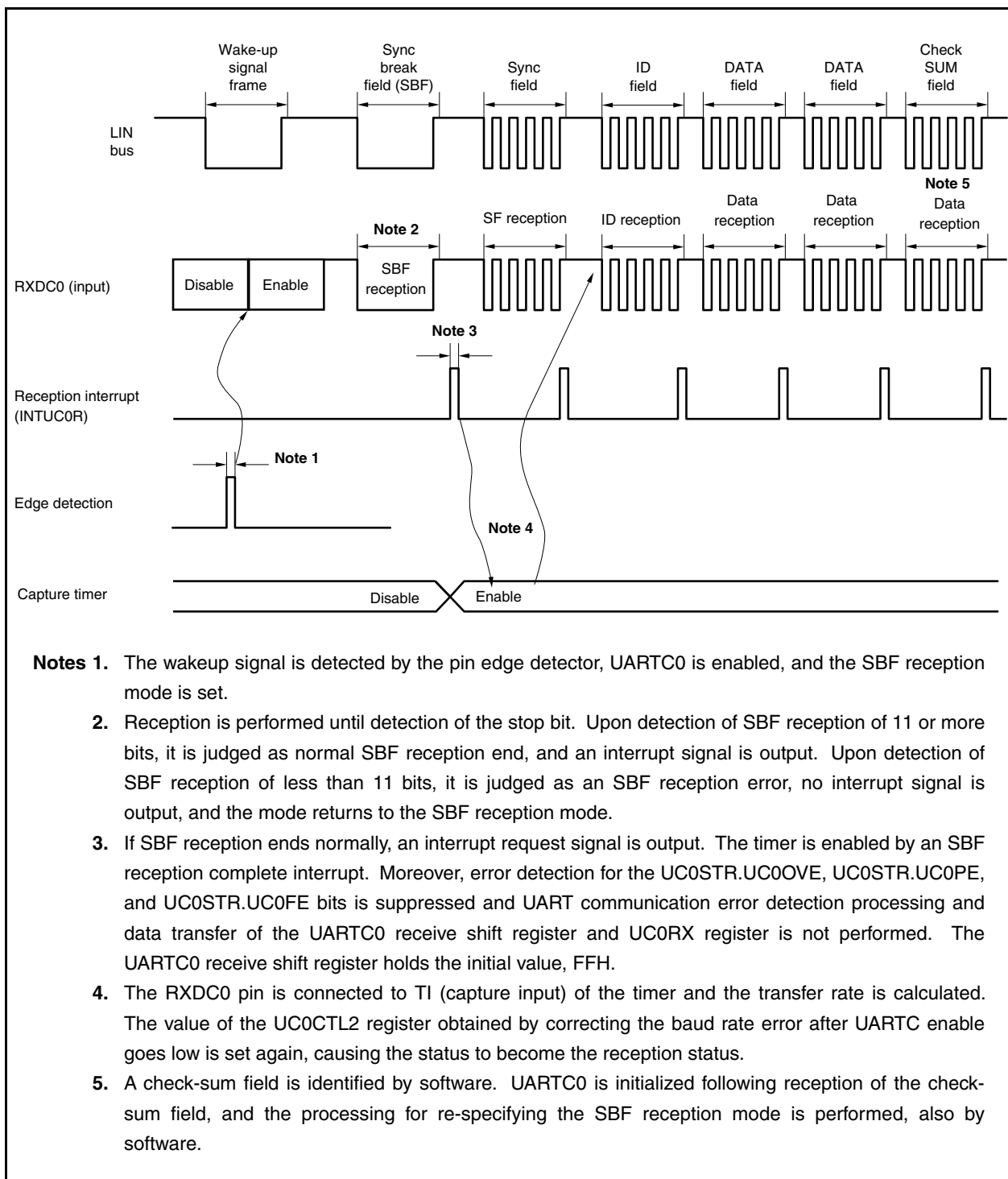


Figure 17-10. LIN Reception Format



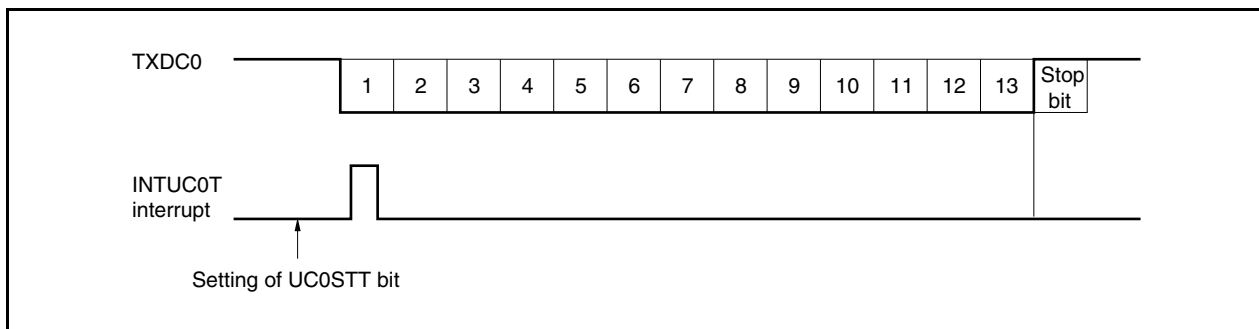
17.6.8 SBF transmission

When the UC0CTL0.UC0PWR bit and UC0CTL0.UC0TXE bit are 1, the transmission enabled status is entered, and SBF transmission is started by setting the SBF transmission trigger (UC0OPT0.UC0STT bit) to 1.

Thereafter, a low level signal having a length of 13 to 20 bits, as specified by the UC0OPT0.UC0SLS2 to AnOPT0.UC0SLS0 bits, is output. A transmission enable interrupt request signal (INTUC0T) is generated upon the start of SBF transmission. Following the end of SBF transmission, the UC0STT bit is automatically cleared.

Transmission is suspended until the data to be transmitted next is written to the UC0TX register, or until the SBF transmission trigger (UC0STT bit) is set.

Figure 17-11. Example of SBF Transmission



17.6.9 SBF reception

The reception enabled status is entered by setting the UC0CTL0.UC0PWR bit to 1 and then setting the UC0CTL0.UC0RXE bit to 1.

The SBF reception wait status is set by setting the SBF reception trigger (UC0OPT0.UC0STR bit) to 1.

In the SBF reception wait status, similarly to the UART reception wait status, the RXDC0 pin is monitored and start bit detection is performed.

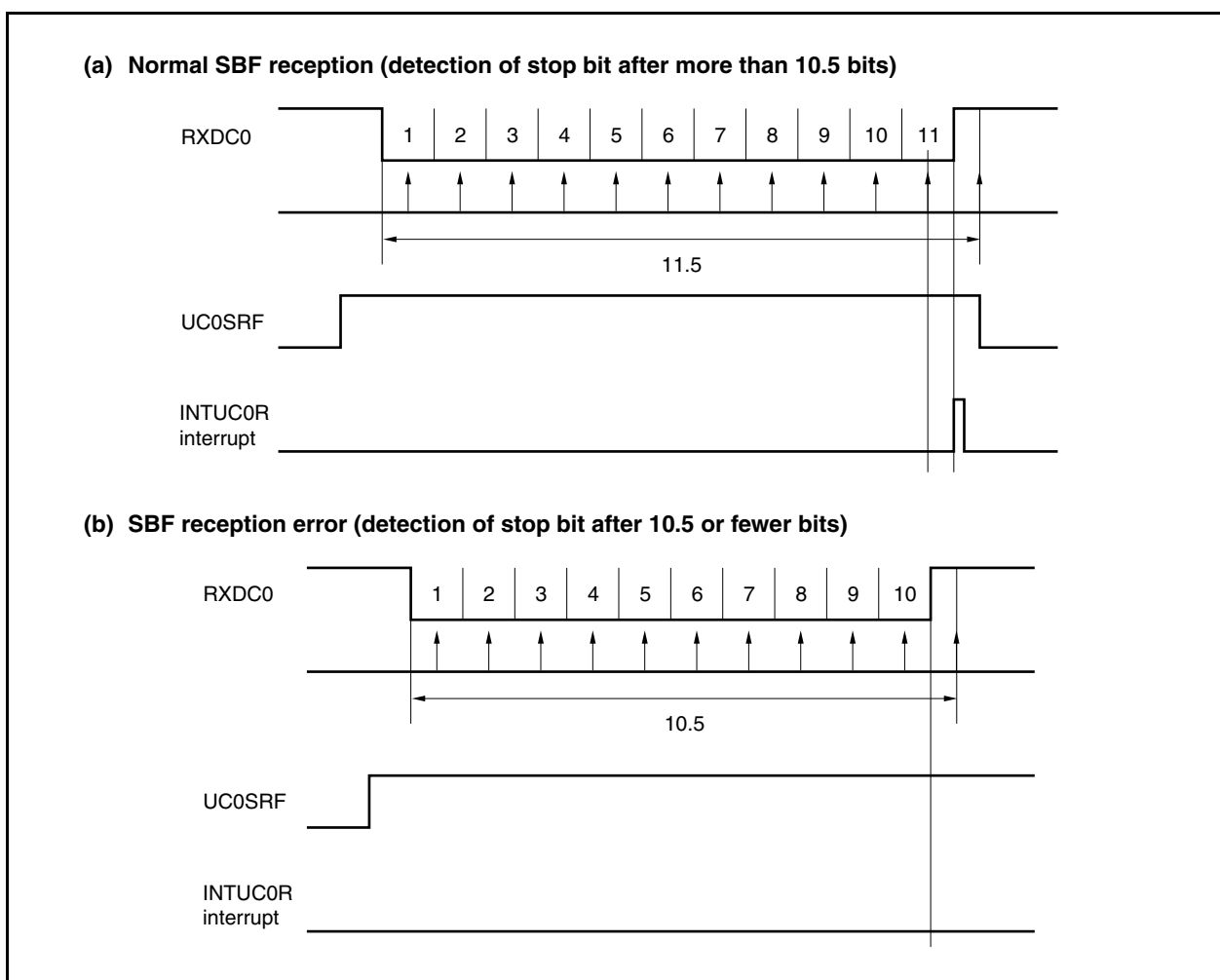
Following detection of the start bit, reception is started and the internal counter increments according to the set baud rate.

When a stop bit is received, if the SBF width is 11 or more bits, it is judged as normal processing and a reception complete interrupt request signal (INTUC0R) is output. The UC0OPT0.UC0SRF bit is automatically cleared and SBF reception ends. Error detection for the UC0STR.UC0OVE, UC0STR.UC0PE, and UC0STR.UC0FE bits is suppressed and UART communication error detection processing is not performed. Moreover, data transfer of the UARTC0 reception shift register and UC0RX register is not performed and FFH, the initial value, is held. If the SBF width is 10 or fewer bits, reception is terminated as an error, an interrupt is not generated, and the SBF reception mode is restored. The UC0SRF bit is not cleared at this time.

Cautions 1. If SBF is transmitted during data reception, a framing error occurs.

2. Do not set the SBF reception trigger bit (UC0SRT) and SBF transmission trigger bit (UC0STT) to 1 during SBF reception (UC0SRF = 1).

Figure 17-12. SBF Reception



17.6.10 Receive data noise filter

This filter samples signals received via the RXDC0 pin using the base clock supplied by the dedicated baud rate generator.

When the same sampling value is read twice, the match detector output changes and the RXDC0 signal is sampled as the input data. Therefore, data not exceeding 1 clock cycle width is judged to be noise and is not delivered to the internal circuit (see **Figure 17-14**). See **17.7 (1) (a) Base clock** for details of the base clock.

Moreover, since the circuit is as shown in **Figure 17-13**, the processing that goes on within the receive operation is delayed by 3 clocks in relation to the external signal status.

Figure 17-13. Noise Filter Circuit

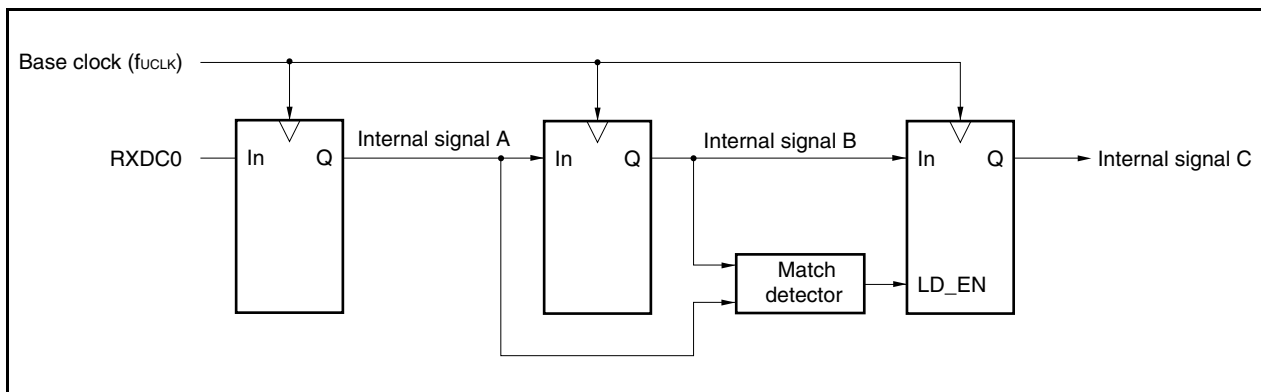
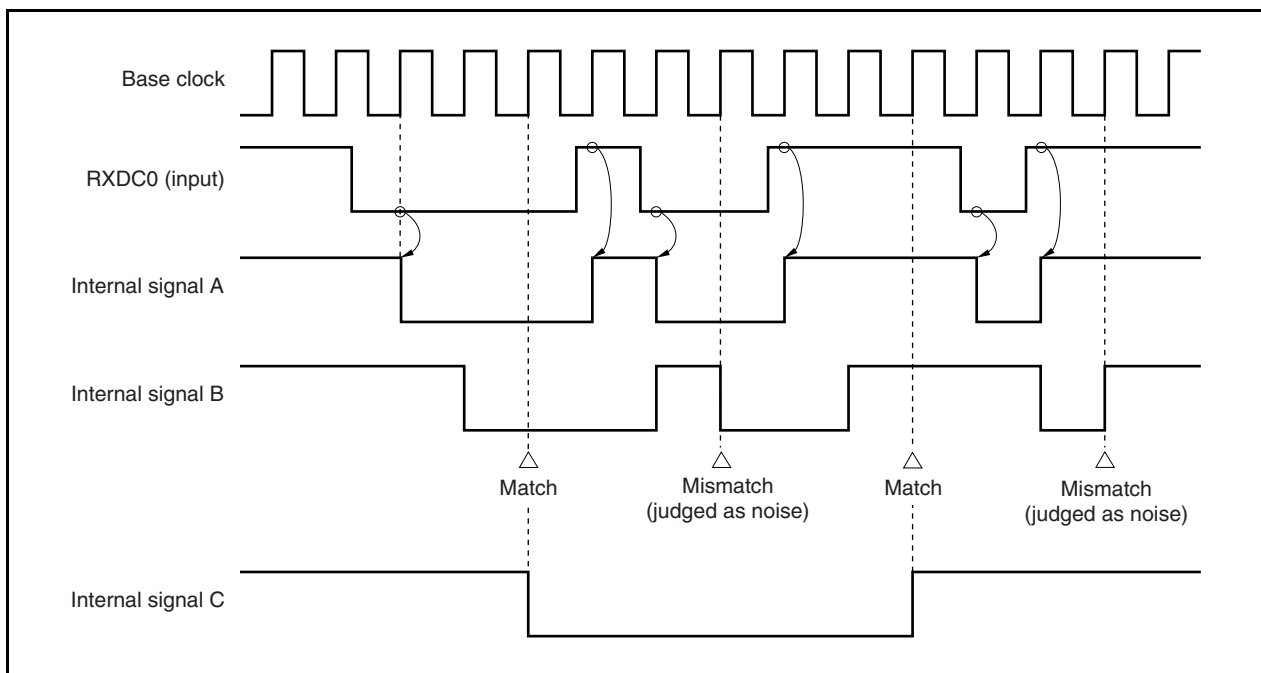


Figure 17-14. Timing of RXDC0 Signal Judged as Noise



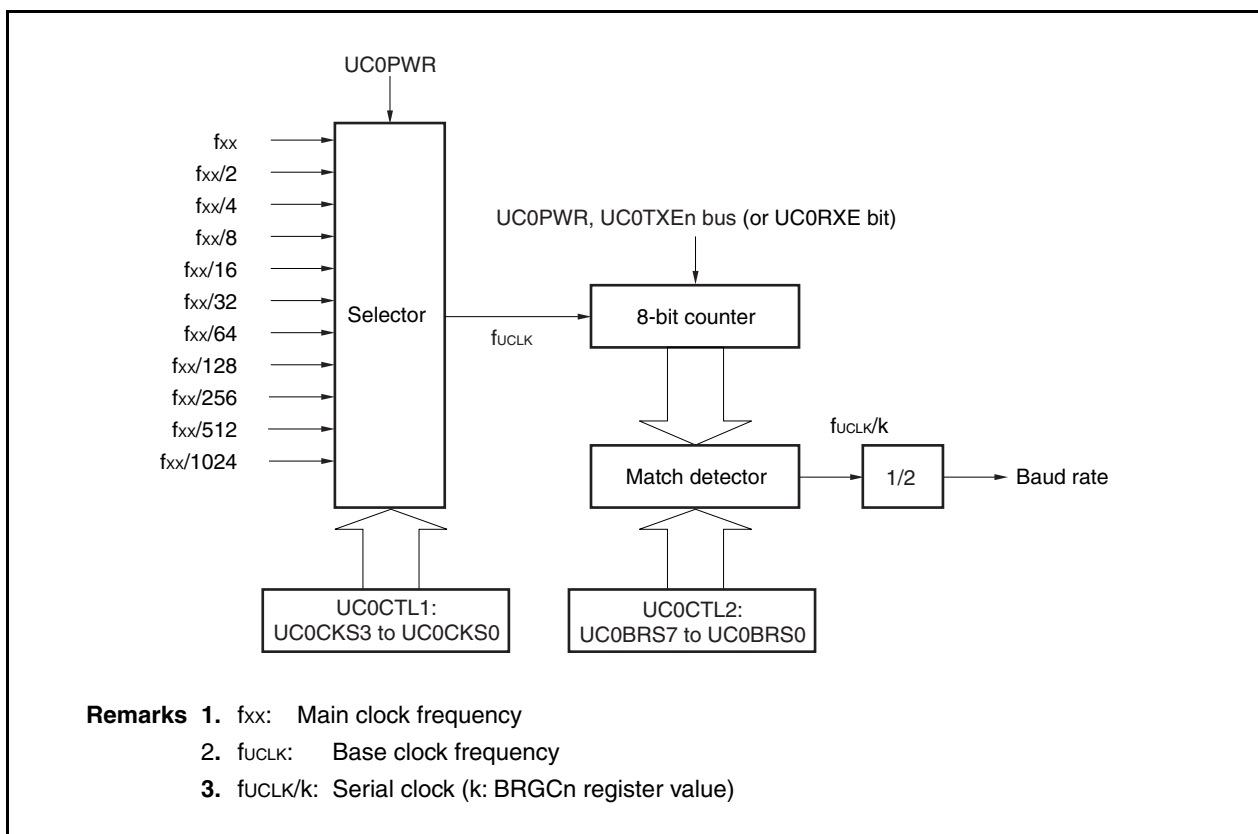
17.7 Dedicated Baud Rate Generator

The dedicated baud rate generator consists of a source clock selector block and an 8-bit programmable counter block, and generates a serial clock during transmission and reception using UARTC0. Regarding the serial clock, a dedicated baud rate generator output can be selected for each channel.

There is an 8-bit counter for transmission and another one for reception.

(1) Baud rate generator configuration

Figure 17-15. Configuration of Baud Rate Generator



(a) Base clock

When the UC0CTL0.UC0PWR bit is 1, the clock selected by the UC0CTL1.UC0CKS3 to UC0CTL1.UC0CKS0 bits is supplied to the 8-bit counter. This clock is called the base clock (f_{uCLK}).

(b) Serial clock generation

A serial clock can be generated by setting the UC0CTL1 register and the UC0CTL2 register ($n = 0$ to 2).

The base clock is selected by UC0CTL1.UC0CKS3 to UC0CTL1.UC0CKS0 bits.

The frequency division value for the 8-bit counter can be set using the UC0CTL2.UC0BRS7 to UC0CTL2.UC0BRS0 bits.

The baud rate clock is generated by dividing the serial clock by two.

(2) UARTC0 control register 1 (UC0CTL1)

The UC0CTL1 register is an 8-bit register that selects the UARTC0 base clock.

This register can be read or written in 8-bit units.

Reset sets this register to 00H.

Caution Clear the UC0CTL0.UC0PWR bit to 0 before rewriting the UC0CTL1 register.

After reset: 00H		R/W	Address: FFFFFAA1H					
	7	6	5	4	3	2	1	0
UC0CTL1	0	0	0	0	UC0CKS3	UC0CKS2	UC0CKS1	UC0CKS0
	UC0CKS3	UC0CKS2	UC0CKS1	UC0CKS0	Base clock (f _{CLK}) selection			
	0	0	0	0	fxx			
	0	0	0	1	fxx/2			
	0	0	1	0	fxx/4			
	0	0	1	1	fxx/8			
	0	1	0	0	fxx/16			
	0	1	0	1	fxx/32			
	0	1	1	0	fxx/64			
	0	1	1	1	fxx/128			
	1	0	0	0	fxx/256			
	1	0	0	1	fxx/512			
	1	0	1	0	fxx/1,024			
	Other than above				Setting prohibited			

Remark fxx: Main clock frequency

(3) UARTC0 control register 2 (UC0CTL2)

The UC0CTL2 register is an 8-bit register that selects the baud rate (serial transfer speed) clock of UARTC0.

The baud rate clock is generated by dividing the serial clock specified by this register by two.

This register can be read or written in 8-bit units.

Reset sets this register to FFH.

Caution Either clear the UC0CTL0.UC0PWR bit to 0, or clear the UC0TXE and UC0RXE bits to 0, 0, before rewriting the UC0CTL2 register.

After reset FFH R/W Address: FFFFFAA2H

7 6 5 4 3 2 1 0

UC0CTL2

UC0BRS7	UC0BRS6	UC0BRS5	UC0BRS4	UC0BRS3	UC0BRS2	UC0BRS1	UC0BRS0
---------	---------	---------	---------	---------	---------	---------	---------

UC0 BRS7	UC0 BRS6	UC0 BRS5	UC0 BRS4	UC0 BRS3	UC0 BRS2	UC0 BRS1	UC0 BRS0	Default (k)	Serial clock
0	0	0	0	0	0	×	×	×	Setting prohibited
0	0	0	0	0	1	0	0	4	f _{UCLK} /4
0	0	0	0	0	1	0	1	5	f _{UCLK} /5
0	0	0	0	0	1	1	0	6	f _{UCLK} /6
:	:	:	:	:	:	:	:	:	:
1	1	1	1	1	1	0	0	252	f _{UCLK} /252
1	1	1	1	1	1	0	1	253	f _{UCLK} /253
1	1	1	1	1	1	1	0	254	f _{UCLK} /254
1	1	1	1	1	1	1	1	255	f _{UCLK} /255

Remark f_{UCLK}: Clock frequency selected by the UC0CTL1.UC0CKS3 to UC0CTL1.UC0CKS0 bits

(4) Baud rate

The baud rate is obtained by the following equation.

$$\text{Baud rate} = \frac{f_{\text{XX}}}{2^{m+1} \times k} \text{ [bps]}$$

Remark f_{CLK} = Frequency of base clock selected by the UC0CTL1.UC0CKS3 to UC0CTL1.UC0CKS0 bits
 f_{XX} : Main clock frequency
 m = Value set using the UC0CTL1.UC0CKS3 to UC0CTL1.UC0CKS0 bits ($m = 0$ to 10)
 k = Value set using the UC0CTL2.UC0BRS7 to UC0CTL2.UC0BRS0 bits ($k = 4$ to 255)

The baud rate error is obtained by the following equation.

$$\text{Error (\%)} = \left(\frac{f_{\text{XX}}}{2^{m+1} \times k \times \text{Target baud rate}} - 1 \right) \times 100 \text{ [%]}$$

Cautions

1. The baud rate error during transmission must be within the error tolerance on the receiving side.
2. The baud rate error during reception must satisfy the range indicated in (5) Allowable baud rate range during reception.

To set the baud rate, perform the following calculation for setting the UC0CTL1 and UC0CTL2 registers (when using the internal clock).

- <1> Set k to $f_{xx}/(2 \times \text{target baud rate})$ and m to 0.
- <2> If k is 256 or greater ($k \geq 256$), reduce k to half ($k/2$) and increment m by 1 ($m + 1$).
- <3> Repeat Step <2> until k becomes less than 256 ($k < 256$).
- <4> Round off the first decimal point of k to the nearest whole number.
If k is 256 after round-off, reduce k to half ($k/2$) and increment m by 1 ($m + 1$) to obtain $k = 128$.
- <5> Set the value of m to the UC0CTL1 register and the value of k to the UC0CTL2 register.

Example: When $f_{xx} = 20$ MHz and target baud rate = 153,600 bps

$$\text{<1> } k = 20,000,000 / (2 \times 153,600) = 65.10\dots, m = 0$$

$$\text{<2>, <3> } k = 65.10\dots < 256, m = 0$$

$$\text{<4> } \text{Set value of UC0CTL2 register: } k = 65 = 41\text{H, set value of UC0CTL1 register: } m = 0$$

$$\begin{aligned} \text{Actual baud rate} &= 20,000,000 / (2 \times 65) \\ &= 153,846 \text{ [bps]} \end{aligned}$$

$$\begin{aligned} \text{Baud rate error} &= \{20,000,000 / (2 \times 65 \times 153,600) - 1\} \times 100 \\ &= 0.160 \text{ [%]} \end{aligned}$$

Representative examples of baud rate settings are shown below.

Table 17-7. Baud Rate Generator Setting Data

Baud Rate (bps)	$f_{xx} = 20$ MHz			$f_{xx} = 16$ MHz			$f_{xx} = 10$ MHz		
	UC0CTL1	UC0CTL2	ERR (%)	UC0CTL1	UC0CTL2	ERR (%)	UC0CTL1	UC0CTL2	ERR (%)
300	08H	82H	0.16	07H	D0H	0.16	07H	82H	0.16
600	07H	82H	0.16	06H	D0H	0.16	06H	82H	0.16
1200	06H	82H	0.16	05H	D0H	0.16	05H	82H	0.16
2400	05H	82H	0.16	04H	D0H	0.16	04H	82H	0.16
4800	04H	82H	0.16	03H	D0H	0.16	03H	82H	0.16
9600	03H	82H	0.16	02H	D0H	0.16	02H	82H	0.16
19200	02H	82H	0.16	01H	D0H	0.16	01H	82H	0.16
31250	01H	A0H	0	01H	80H	0	00H	A0H	0
38400	01H	82H	0.16	00H	D0H	0.16	00H	82H	0.16
76800	00H	82H	0.16	00H	68H	0.16	00H	41H	0.16
153600	00H	41H	0.16	00H	34H	0.16	00H	21H	-1.36
312500	00H	20H	0	00H	1AH	-1.54	00H	10H	0
625000	00H	10H	0	00H	0DH	-1.54	00H	08H	0

Remark f_{xx} : Main clock frequency

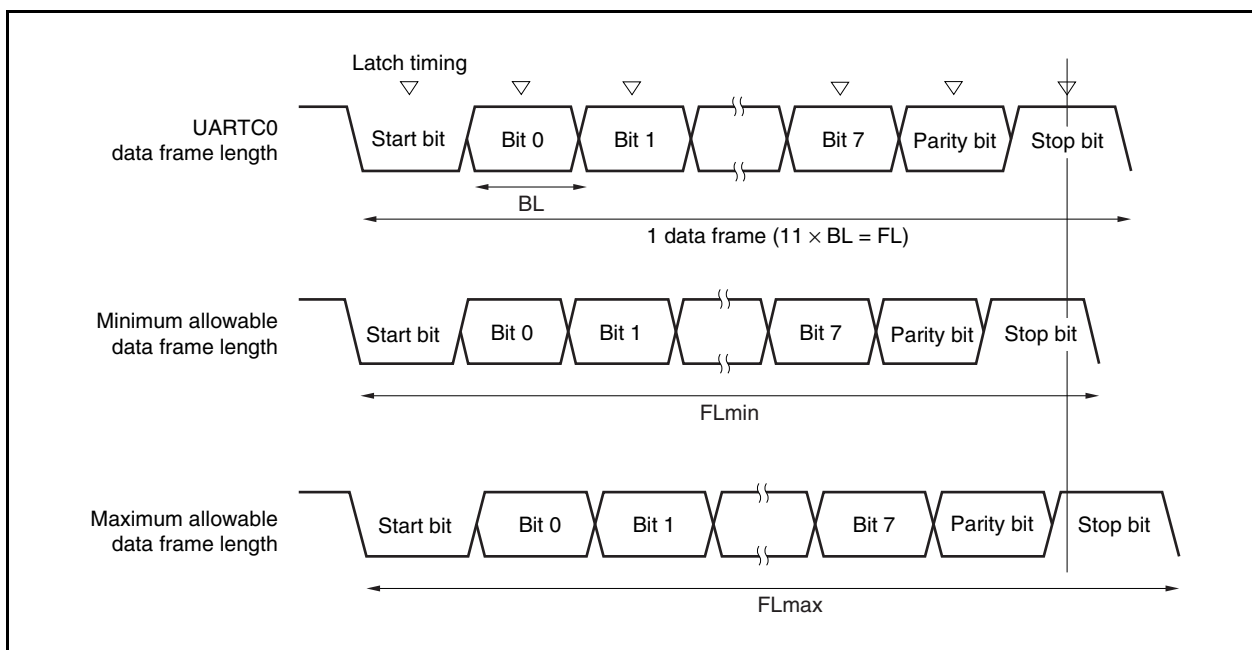
ERR: Baud rate error (%)

(5) Allowable baud rate range during reception

The baud rate error range at the destination that is allowable during reception is shown below.

Caution The baud rate error indicated below is a theoretical value. In practice, the signal might be distorted, or communication might not be performed normally even if the error is within the allowable range. Therefore, the error must be minimized.

Figure 17-16. Allowable Baud Rate Range During Reception



As shown in Figure 17-16, the receive data latch timing is determined by the counter set using the UC0CTL2 register following start bit detection. The transmit data can be received normally if up to the last data (stop bit) can be received in time for this latch timing.

When this is applied to 11-bit reception, the following is the theoretical result.

$$BL = (\text{Brate})^{-1}$$

Brate: UARTC0 baud rate (n = 0 to 2)

k: Setting value of UC0CTL2.UC0BRS7 to UC0CTL2.UC0BRS0 bits (n = 0 to 2)

BL: 1-bit data length

FL: Length of 1 data frame

Latch timing margin: 2 clock cycles

$$\text{Minimum allowable data frame length: } FL_{\min} = 11 \times BL - \frac{k-2}{2k} \times BL = \frac{21k+2}{2k} BL$$

Therefore, the maximum baud rate that can be received by the destination is as follows.

$$BR_{\max} = (FL_{\min}/11)^{-1} = \frac{22k}{21k + 2} \text{ Brate}$$

Similarly, obtaining the maximum allowable data frame length yields the following.

$$\frac{10}{11} \times FL_{\max} = 11 \times BL - \frac{k + 2}{2 \times k} \times BL = \frac{21k - 2}{2 \times k} BL$$

$$FL_{\max} = \frac{21k - 2}{20k} BL \times 11$$

Therefore, the minimum baud rate that can be received by the destination is as follows.

$$BR_{\min} = (FL_{\max}/11)^{-1} = \frac{20k}{21k - 2} \text{ Brate}$$

Obtaining the allowable baud rate error for UARTC0 and the destination from the above-described equations yields the following.

Table 17-8. Maximum/Minimum Allowable Baud Rate Error (11-Bit Length)

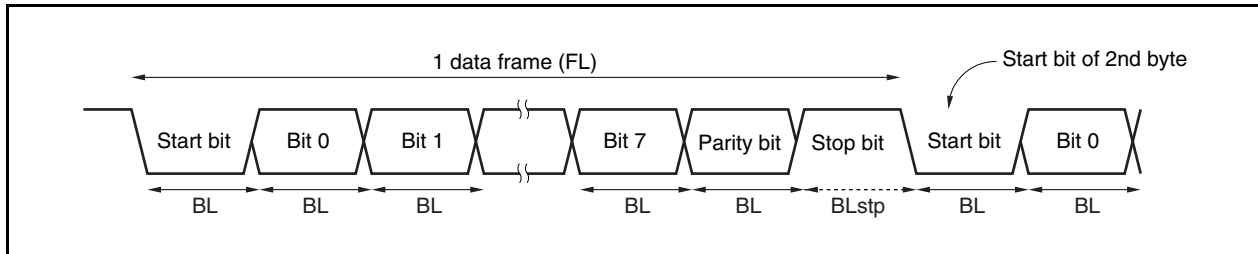
Division Ratio (k)	Maximum Allowable Baud Rate Error	Minimum Allowable Baud Rate Error
4	+2.32%	-2.43%
8	+3.53%	-3.61%
20	+4.26%	-4.31%
50	+4.56%	-4.58%
100	+4.66%	-4.67%
255	+4.72%	-4.73%

- Remarks 1.** The reception accuracy depends on the bit count in 1 frame, the base clock frequency (f_{CLK}), and the division ratio (k). The higher the base clock frequency (f_{CLK}) and the larger the division ratio (k), the higher the accuracy.
- 2.** k: Setting value of UC0CTL2.UC0BRS7 to UC0CTL2.UC0BRS0 bits (n = 0 to 2)

(6) Data frame length during continuous transmission

In continuous transmission, the data frame length from the stop bit to the next start bit is 2 base clock cycles longer than usual. However, timing initialization is performed via start bit detection by the receiving side, so this has no influence on the transfer result.

Figure 17-17. Data Frame Length During Continuous Transmission



Assuming a 1 bit data length of BL ; a stop bit length of BL_{stp} ; and a base clock frequency of f_{uCLK} , we obtain the following equation.

$$BL_{stp} = BL + 2/f_{uCLK}$$

Therefore, the transfer rate during continuous transmission is as follows.

$$\text{Data frame length} = 11 \times BL + (2/f_{uCLK})$$

17.8 Cautions

- (1) When the clock supply to UARTC0 is stopped (for example, in IDLE1, IDLE2, or STOP mode), the operation stops with each register retaining the value it had immediately before the clock supply was stopped. The TXDC0 pin output also holds and outputs the value it had immediately before the clock supply was stopped. However, the operation is not guaranteed after the clock supply is resumed. Therefore, after the clock supply is resumed, the circuits should be initialized by setting the UC0CTL0.UC0PWR, UC0CTL0.UC0RXEn, and UC0CTL0.UC0TXEn bits to 0, 0, 0.
- (2) In UARTC0, the interrupt caused by a communication error does not occur. When transferring transmit data and receive data using DMA transfer, error processing cannot be performed even if errors (parity, overrun, framing) occur during transfer. Either read the UC0STR register after DMA transfer has been completed to make sure that there are no errors, or read the UC0STR register during communication to check for errors.
- (3) Start up UARTC0 in the following sequence.
 - <1> Set the UC0CTL0.UC0PWR bit to 1.
 - <2> Set the ports.
 - <3> Set the UC0CTL0.UC0TXE bit to 1 and the UC0CTL0.UC0RXE bit to 1.
- (4) Stop UARTC0 in the following sequence.
 - <1> Set the UC0CTL0.UC0TXE bit to 0 and the UC0CTL0.UC0RXE bit to 0.
 - <2> Set the ports and set the UC0CTL0.UC0PWR bit to 0 (it is not a problem if the port settings are not changed).
- (5) In transmit mode (UC0CTL0.UC0PWR bit = 1 and UC0CTL0.UC0TXE bit = 1), do not overwrite the same value to the UC0TX register by software because transmission starts by writing to this register. To transmit the same value continuously, overwrite the same value.
- (6) In continuous transmission, the period from the stop bit to the next start bit is 2 base clock cycles longer than usual. However, the reception side initializes the timing by detecting the start bit, so the reception result is not affected.
- (7) UARTC cannot identify the start bit if low level signals are continuously input to the RXDC0 pin.
- (8) The RXDC0 and SIB1 pins cannot be used at the same time. When using the pin for RXDC0, stop CSIB0 reception. (clear the CB1CTL0.CB1RXE bit to 0.) When using the pin for SIB1, stop UARTC0 reception. (clear the UC0CTL0.UC0RXE bit to 0.)

CHAPTER 18 CLOCKED SERIAL INTERFACE B (CSIB)

18.1 Features

- 3-wire serial interface
 - SOBn: Serial data output
 - SIBn: Serial data input
 - $\overline{\text{SCKBn}}$: Serial clock I/O
- Transmission mode, reception mode, and transmission/reception mode can be specified.
- Transfer rate: 8 Mbps max
- Master mode and slave mode can be selected.
- Two interrupt request signals:
 - Reception complete interrupt (INTCBnR): This interrupt occurs when receive data is transferred to the CBnRX register with reception enabled, or when an overrun error occurs. In the single transfer mode, this interrupt occurs upon completion of transmission, even when only transmission is executed.
 - Transmission enable interrupt (INTCBnT): In continuous transmission or continuous transmission/reception mode, this interrupt occurs when transmit data is transferred from the CBnTX register and it becomes possible to write data to CBnTX.
- Timing of data reception/transmission via $\overline{\text{SCKBn}}$ can be specified
- Transfer data length can be selected in 1-bit units from between 8 and 16 bits
- Transfer data can be switched between MSB-first and LSB-first
- Double buffers for both transmission and reception
- Overrun error detection

Remark n = 0 to 4

18.2 Configuration

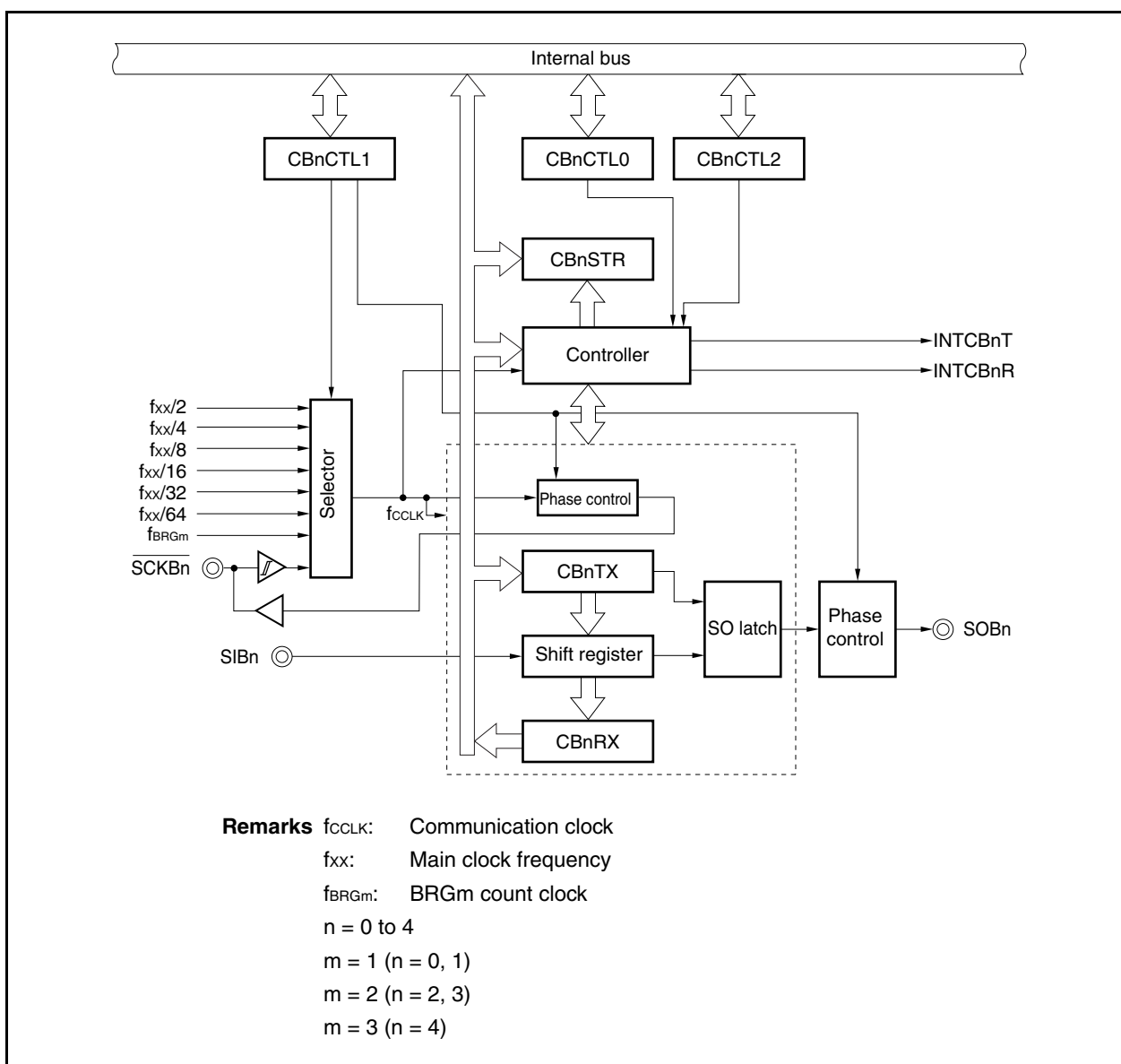
CSIBn includes the following hardware.

Table 18-1. Configuration of CSIBn

Item	Configuration
Registers	CSIBn receive data register (CBnRX) CSIBn transmit data register (CBnTX) CSIBn control register 0 (CBnCTL0) CSIBn control register 1 (CBnCTL1) CSIBn control register 2 (CBnCTL2) CSIBn status register (CBnSTR)

The following shows the block diagram of CSIBn.

Figure 18-1. Block Diagram of CSIBn



18.2.1 Pin functions of each channel

The SIB_n, SOB_n, and SCKB_n pins used by CSIB in the V850ES/JG3-L are used for other functions as shown in Table 18-2. To use these pins for CSIB, set the related registers as described in **Table 4-15 Settings When Pins Are Used for Alternate Functions**.

Table 18-2. Pins Used by CSIB

Channel	Pin No.		Port	CSIB Reception Input	CSIB Transmission Output	CSIB Clock I/O	Other Functions
	GC	F1					
CSIB0	22	K1	P40	SIB0	–	–	SDA01
	23	K2	P41	–	SOB0	–	SCL01
	24	L2	P42	–	–	SCKB0	–
CSIB1	50	J11	P97	SIB1	–	–	RXDC0/TIP20/TOP20
	51	J10	P98	–	SOB1	–	–
	52	H11	P99	–	–	SCKB1	–
CSIB2	40	L8	P53	SIB2	–	–	KR3/TIQ00/TOQ00/RTP03/DDO
	41	K8	P54	–	SOB2	–	KR4/RTP04/DCK
	42	J8	P55	–	–	SCKB2	KR5/RTP05/DMS
CSIB3	53	H10	P910	SIB3	–	–	–
	54	H9	P911	–	SOB3	–	–
	55	G11	P912	–	–	SCKB3	–
CSIB4	26	K4	P31	SIB4	–	–	RXDA0/INTP7
	25	L3	P30	–	SOB4	–	TXDA0
	27	L4	P32	–	–	SCKB4	ASCKA0/TIP00/TOP00

Remark GC: 100-pin plastic LQFP (fine-pitch) (14 × 14)
F1: 121-pin plastic FBGA (8 × 8)

18.3 Mode Switching of CSIB and Other Serial Interfaces

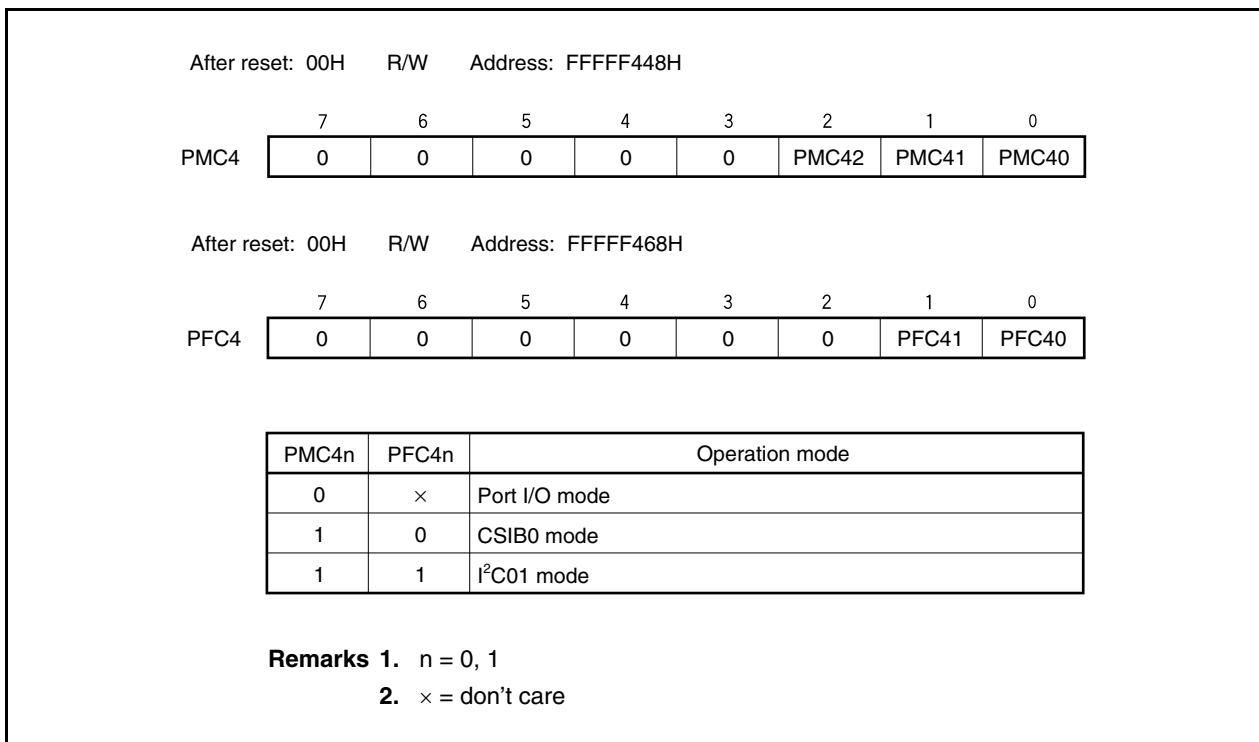
18.3.1 CSIB0 and I²C01 mode switching

In the V850ES/JG3-L, CSIB0 and I²C01 share pins and therefore cannot be used simultaneously. To use the CSIB0 function, specify the CSIB0 mode in advance by using the PMC4 and PFC4 registers.

Switching the operation mode between CSIB0 and I²C01 is described below.

Caution Transmission and reception by CSIB0 and I²C01 are not guaranteed if these operation modes are switched during transmission or reception. Be sure to disable the serial interface that is not being used.

Figure 18-2. Switching CSIB0 and I²C01 Operation Modes



18.3.2 CSIB4 and UARTA0 mode switching

In the V850ES/JG3-L, CSIB4 and UARTA0 share pins and therefore cannot be used simultaneously. To use the CSIB4 function, specify the CSIB4 mode in advance by using the PMC3, PFC3, and PFCE3L registers.

Switching the operation mode between CSIB4 and UARTA0 is described below.

Caution Transmission and reception by CSIB4 and UARTA0 are not guaranteed if these operation modes are switched during transmission or reception. Be sure to disable the serial interface that is not being used.

Figure 18-3. Switching CSIB4 and UARTA0 Operation Modes

After reset: 0000H R/W Address: FFFFF446H, FFFFF447H

	15	14	13	12	11	10	9	8
PMC3	0	0	0	0	0	0	PMC39	PMC38
	7	6	5	4	3	2	1	0
	0	0	PMC35	PMC34	PMC33	PMC32	PMC31	PMC30

After reset: 0000H R/W Address: FFFFF466H, FFFFF467H

	15	14	13	12	11	10	9	8
PFC3	0	0	0	0	0	0	PFC39	PFC38
	7	6	5	4	3	2	1	0
	0	0	PFC35	PFC34	PFC33	PFC32	PFC31	PFC30

After reset: 00H R/W Address: FFFFF706H

	7	6	5	4	3	2	1	0
PFCE3L	0	0	0	0	0	PFCE32	0	0

PMC32	PFCE32	PFC32	Operation mode
0	×	×	Port I/O mode
1	0	0	ASCKA0 mode
1	0	1	SCKB4 mode

PMC3n	PFC3n	Operation mode
0	×	Port I/O mode
1	0	UARTA0 mode
1	1	CSIB4 mode

Remarks 1. n = 0, 1
 2. × = don't care

18.4 Registers

The following registers are used to control CSIBn.

- CSIBn receive data register (CBnRX)
- CSIBn transmit data register (CBnTX)
- CSIBn control register 0 (CBnCTL0)
- CSIBn control register 1 (CBnCTL1)
- CSIBn control register 2 (CBnCTL2)
- CSIBn status register (CBnSTR)

(1) CSIBn receive data register (CBnRX)

The CBnRX register is a 16-bit buffer register that holds receive data.

This register is read-only, in 16-bit units.

The receive operation is started by reading the CBnRX register in reception mode.

If the transfer data length is 8 bits, the lower 8 bits of this register are read-only in 8-bit units as the CBnRXL register.

Reset sets this register to 0000H.

In addition to reset input, the CBnRX register can be initialized by clearing (to 0) the CBnPWR bit of the CBnCTL0 register.



(2) CSIBn transmit data register (CBnTX)

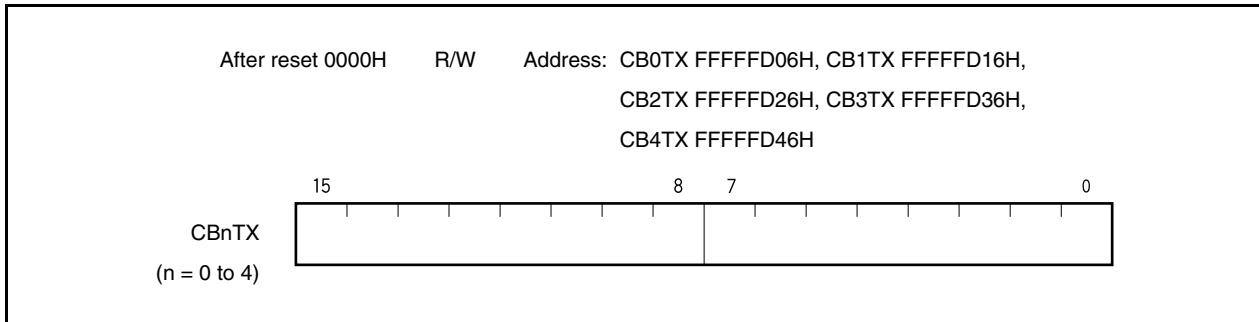
The CBnTX register is a 16-bit buffer register used to write the CSIBn transfer data.

This register can be read or written in 16-bit units.

The transmit operation is started by writing data to the CBnTX register when transmission is enabled.

If the transfer data length is 8 bits, the lower 8 bits of this register are read-only in 8-bit units as the CBnTXL register.

Reset sets this register to 0000H.



Remark The communication start conditions are shown below.

Transmission mode (CBnTXE bit = 1, CBnRXE bit = 0): Write to CBnTX register

Transmission/reception mode (CBnTXE bit = 1, CBnRXE bit = 1): Write to CBnTX register

Reception mode (CBnTXE bit = 0, CBnRXE bit = 1): Read from CBnRX register

(3) CSIBn control register 0 (CBnCTL0)

CBnCTL0 is an 8-bit register that controls CSIBn serial transfer.

This register can be read or written in 8-bit or 1-bit units.

Reset sets this register to 01H.

(1/3)

After reset: 01H R/W Address: CB0CTL0 FFFFFFFD00H, CB1CTL0 FFFFFFFD10H,
CB2CTL0 FFFFFFFD20H, CB3CTL0 FFFFFFFD30H,
CB4CTL0 FFFFFFFD40H

CBnCTL0 (n = 0 to 4)	<7>	<6>	<5>	<4>	3	2	1	<0>
	CBnPWR	CBnTXE ^{Note}	CBnRXE ^{Note}	CBnDIR ^{Note}	0	0	CBnTMS ^{Note}	CBnSCE

CBnPWR	Specification of CSIBn operation disable/enable
0	Disable CSIBn operation and reset the CBnSTR register
1	Enable CSIBn operation
• The CBnPWR bit controls the CSIBn operation and resets the internal circuit.	

CBnTXE ^{Note}	Specification of transmit operation disable/enable
0	Disable transmit operation
1	Enable transmit operation
• The SOBn output is low level when the CBnTXE bit is 0.	

CBnRXE ^{Note}	Specification of receive operation disable/enable
0	Disable receive operation
1	Enable receive operation
• When the CBnRXE bit is 0, no reception complete interrupt is output even when the specified data is transferred, and the receive data (in the CBnRX register) is not updated.	

Note These bits can only be rewritten when the CBnPWR bit is 0. However, the values of these bits can be changed to 0 or 1 at the same time the CBnPWR bit is set.

Caution To forcibly suspend transmission/reception, clear the CBnPWR bit to 0 instead of the CBnRXE and CBnTXE bits. At this time, the clock output is stopped.

CBnDIR ^{Note}	Specification of transfer direction mode (MSB/LSB)
0	MSB-first transfer
1	LSB-first transfer

CBnTMS ^{Note}	Transfer mode specification
0	Single transfer mode
1	Continuous transfer mode

[In single transfer mode]

- In this mode, the reception complete interrupt (INTCBnR) occurs upon completion of communication. The transmission enable interrupt (INTCBnT) does not occur even if transmission is enabled (CBnTXE bit = 1).
- After the reception complete interrupt (INTCBnR) occurs, writing/reading the next transmit/receive data triggers the next communication.
- The next communication does not start even if the next transmit/receive data is written/read during the preceding communication (CBnSTR.CBnTSF bit = 1).

[In continuous transfer mode]

- In this mode and with transmission enabled (CBnTXE bit = 1), the transmission enable interrupt (INTCBnT) occurs when writing the next transmit data becomes possible. With reception enabled (CBnRXE bit = 1), the reception complete interrupt (INTCBnR) occurs upon completion of transfer.
- Writing the next transmit data becomes possible after INTCBnT occurs. If new data is written at this time, continuous transfer can be performed.
- If reception-only is specified (CBnTXE bit = 0, CBnRXE bit = 1), the next transmission starts immediately after INTCBnR has occurred, regardless of the progress of reading the CBnRX register. Be sure to read receive data immediately after INTCBnR has occurred. If receive data is not read before the next INTCBnR occurs, an overrun error will occur (CBnSTR.CBnOVE bit = 1).

Note These bits can only be rewritten when the CBnPWR bit is 0. However, the values of these bits can be changed to 0 or 1 at the same time the CBnPWR bit is set.

CBnSCE	Specification of start transfer disable/enable
0	Communication start trigger invalid
1	Communication start trigger valid

This bit enables or disables the communication start trigger in reception mode.

- In master mode
 - (a) In single transmission or transmission/reception mode, or continuous transmission or continuous transmission/reception mode:
The setting of the CBnSCE bit has no effect on communication.
 - (b) In single reception mode:
Clear the CBnSCE bit to 0 before reading the last receive data to disable the start of reception because reception is started by reading the receive data (CBnRX register)^{Note 1}.
 - (c) In continuous reception mode
Clear the CBnSCE bit to 0 one communication clock cycle before reception of the last data is completed to disable the start of reception after the last data is received^{Note 2}.
- In slave mode
Set the CBnSCE bit to 1.

[Usage of CBnSCE bit]

- In single reception mode
 - <1> When reception of the last data is completed by INTCBnR interrupt servicing, clear the CBnSCE bit to 0 before reading the CBnRX register.
 - <2> After confirming that the CBnSTR.CBnTSF bit is 0, clear the CBnPWR and CBnRXE bits to 0 to disable reception.
To receive data again, set the CBnSCE bit to 1 to start the next reception by dummy-reading the CBnRX register.
- In continuous reception mode
 - <1> Clear the CBnSCE bit to 0 in the INTCBnR interrupt servicing for the receive data immediately before the last one.
 - <2> Read the CBnRX register.
 - <3> Read the last reception data by reading the CBnRX register after acknowledging the CBnTIR interrupt.
 - <4> After confirming that the CBnSTR.CBnTSF bit is 0, clear the CBnPWR and CBnRXE bits to 0 to disable reception.
To receive data again, set the CBnSCE bit to 1 to wait for the next reception by dummy-reading the CBnRX register.

- Notes 1.** If the CBnRX register is read with the CBnSCE bit set to 1, the next communication is started.
- 2.** If the CBnSCE bit is not cleared to 0, one communication clock cycle before reception of the last data is completed, the next communication is automatically started.

Caution Be sure to clear bits 3 and 2 to "0".

(4) CSIBn control register 1 (CBnCTL1)

CBnCTL1 is an 8-bit register that is used to specify the CSIBn serial transfer operation mode.

This register can be read or written in 8-bit or 1-bit units.

Reset sets this register to 00H.

Caution The CBnCTL1 register can be rewritten only when the CBnCTL0.CBnPWR bit is 0.

After reset 00H R/W Address: CB0CTL1 FFFFFFFD01H, CB1CTL1 FFFFFFFD11H,
 CB2CTL1 FFFFFFFD21H, CB3CTL1 FFFFFFFD31H,
 CB4CTL1 FFFFFFFD41H

	7	6	5	4	3	2	1	0
CBnCTL1 (n = 0 to 4)	0	0	0	CBnCKP	CBnDAP	CBnCKS2	CBnCKS1	CBnCKS0

	CBnCKP	CBnDAP	Specification of data transmission/ reception timing in relation to SCKBn
Communication type 1	0	0	
Communication type 2	0	1	
Communication type 3	1	0	
Communication type 4	1	1	

CBnCKS2	CBnCKS1	CBnCKS0	Communication clock (f _{CCLK}) ^{Note}	Mode
0	0	0	f _{xx} /2	Master mode
0	0	1	f _{xx} /4	Master mode
0	1	0	f _{xx} /8	Master mode
0	1	1	f _{xx} /16	Master mode
1	0	0	f _{xx} /32	Master mode
1	0	1	f _{xx} /64	Master mode
1	1	0	fBRG _m	Master mode
1	1	1	External clock (SCKBn)	Slave mode

Note Set the communication clock (f_{CCLK}) to 8 MHz or lower.

Remark When n = 0, 1, m = 1
 When n = 2, 3, m = 2
 When n = 4, m = 3
 For details of fBRG_m, see **18.8 Baud Rate Generator**.

(5) CSIBn control register 2 (CBnCTL2)

CBnCTL2 is an 8-bit register that is used to specify the CSIBn serial transfer data length.

This register can be read or written in 8-bit units.

Reset sets this register to 00H.

Caution The CBnCTL2 register can be rewritten only when the CBnCTL0.CBnPWR bit is 0 or when both the CBnTXE and CBnRXE bits are 0.

After reset: 00H R/W Address: CB0CTL2 FFFFFFFD02H, CB1CTL2 FFFFFFFD12H,
CB2CTL2 FFFFFFFD22H, CB3CTL2 FFFFFFFD32H,
CB4CTL2 FFFFFFFD42H

	7	6	5	4	3	2	1	0
CBnCTL2 (n = 0 to 4)	0	0	0	0	CBnCL3	CBnCL2	CBnCL1	CBnCL0

CBnCL3	CBnCL2	CBnCL1	CBnCL0	Transfer data length
0	0	0	0	8 bits
0	0	0	1	9 bits
0	0	1	0	10 bits
0	0	1	1	11 bits
0	1	0	0	12 bits
0	1	0	1	13 bits
0	1	1	0	14 bits
0	1	1	1	15 bits
1	×	×	×	16 bits

Remarks 1. If the transfer data length is other than 8 or 16 bits, set the data to the CBnTX or CBnRX register starting from the LSB.

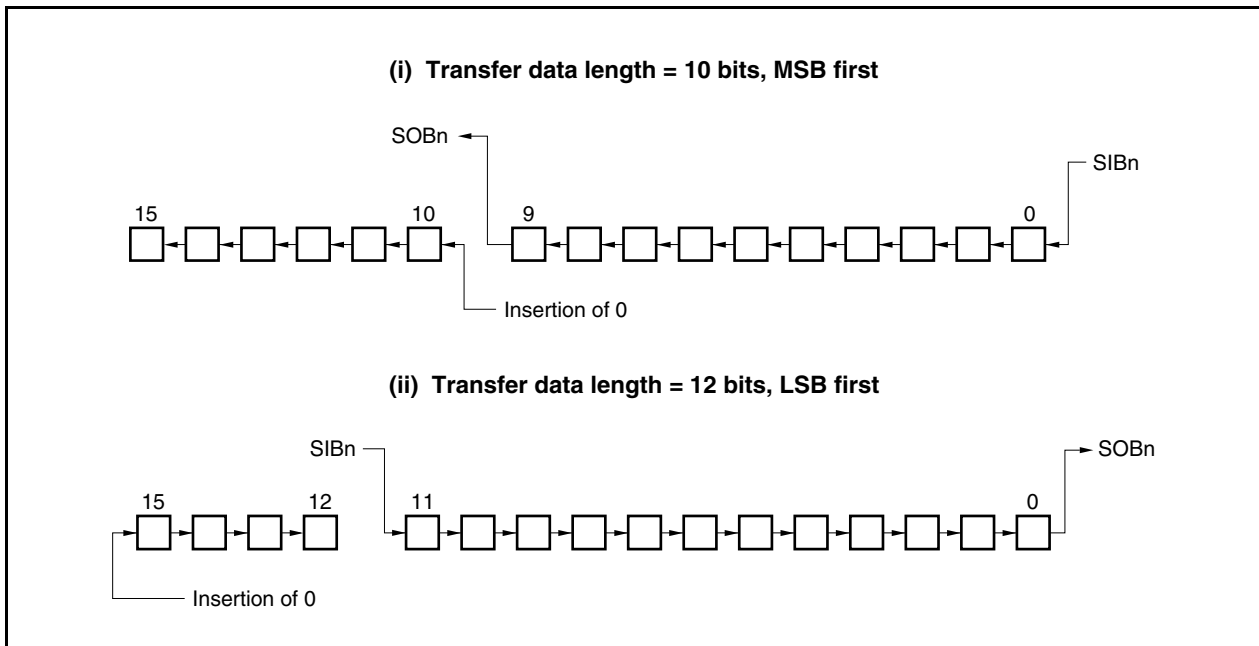
2. ×: don't care

(a) Changing the transfer data length

The CSIBn transfer data length can be set in 1-bit units between 8 and 16 bits using the CBnCTL2.CBnCL3 to CBnCTL2.CBnCL0 bits.

When the transfer data length is set to a value other than 16 bits, the data must be set to the CBnTX or CBnRX register starting from the LSB, regardless of whether the transfer start bit is the MSB or LSB. Any data can be set for the higher bits that are not used, but the received data becomes 0 following serial transfer.

Figure 18-4. Example of Operation with Transfer Data Length Set to Other Than 16 Bits



(6) CSIBn status register (CBnSTR)

CBnSTR is an 8-bit register that displays the CSIBn status.

This register can be read or written in 8-bit or 1-bit units, but the CBnTSF flag is read-only.

Reset sets this register to 00H.

In addition to reset input, the CBnSTR register can be initialized by clearing (0) the CBnCTL0.CBnPWR bit.

After reset 00H R/W Address: CB0STR FFFFFFFD03H, CB1STR FFFFFFFD13H,
 CB2STR FFFFFFFD23H, CB3STR FFFFFFFD33H,
 CB4STR FFFFFFFD43H

<7>	6	5	4	3	2	1	<0>
CBnSTR	CBnTSF	0	0	0	0	0	CBnOVE

(n = 0 to 4)

CBnTSF	Communication status flag
0	Communication stopped
1	Communicating

- During transmission, this register is set when data is prepared in the CBnTX register, and during reception, it is set when a dummy read of the CBnRX register is performed.
- When transfer ends, this flag is cleared to 0 at the last edge of the clock cycle.

CBnOVE	Overrun error flag
0	No overrun
1	Overrun

- An overrun error occurs when the next reception is completed without the CPU reading the value of the receive buffer, during reception or upon completion of a receive operation.
- The CBnOVE flag displays the overrun error occurrence status in this case.
- The CBnOVE bit is valid also in the single transfer mode. Therefore, when only using transmission, note the following.
 - Do not check the CBnOVE flag.
 - Read this bit even if reading the receive data is not required.
- The CBnOVE flag is cleared by writing 0 to it. It cannot be set even by writing 1 to it.

18.5 Interrupt Request Signals

CSIBn can generate the following two interrupt request signals.

- Reception complete interrupt request signal (INTCBnR)
- Transmission enable interrupt request signal (INTCBnT)

Of these two interrupt request signals, the reception complete interrupt request signal has the higher priority by default, and the priority of the transmission enable interrupt request signal is lower.

Table 18-3. Interrupts and Their Default Priority

Interrupt Request Signal	Priority
Reception complete	High
Transmission enable	Low

(1) Reception complete interrupt request signal (INTCBnR)

When receive data is transferred to the CBnRX register while reception is enabled, the reception complete interrupt request signal is generated.

This interrupt request signal can also be generated if an overrun error occurs.

When the reception complete interrupt request signal is acknowledged and the data is read, read the CBnSTR register to check that the result of reception is not an error.

In the single transfer mode, the INTCBnR interrupt request signal is generated upon completion of transmission, even when only transmission is executed.

(2) Transmission enable interrupt request signal (INTCBnT)

In the continuous transmission or continuous transmission/reception mode, transmit data is transferred from the CBnTX register and, as soon as writing to CBnTX has been enabled, the transmission enable interrupt request signal is generated.

In the single transmission and single transmission/reception modes, the INTCBnT interrupt is not generated.

18.6 Operation

18.6.1 Single transfer mode (master mode, transmission mode)

MSB first (CBnCTL0.CBnDIR bit = 0), communication type 1 (CBnCTL1.CBnCKP and CBnCTL1.CBnDAP bits = 00), communication clock (f_{CLK}) = $f_{\text{xx}}/2$ (CBnCTL1.CBnCKS2 to CBnCTL1.CBnCKS0 bits = 000), transfer data length = 8 bits (CBnCTL2.CBnCL3 to CBnCTL2.CBnCL0 bits = 0000)

Figure 18-5. Single Transfer Mode Operation (Master Mode, Transmission Mode)

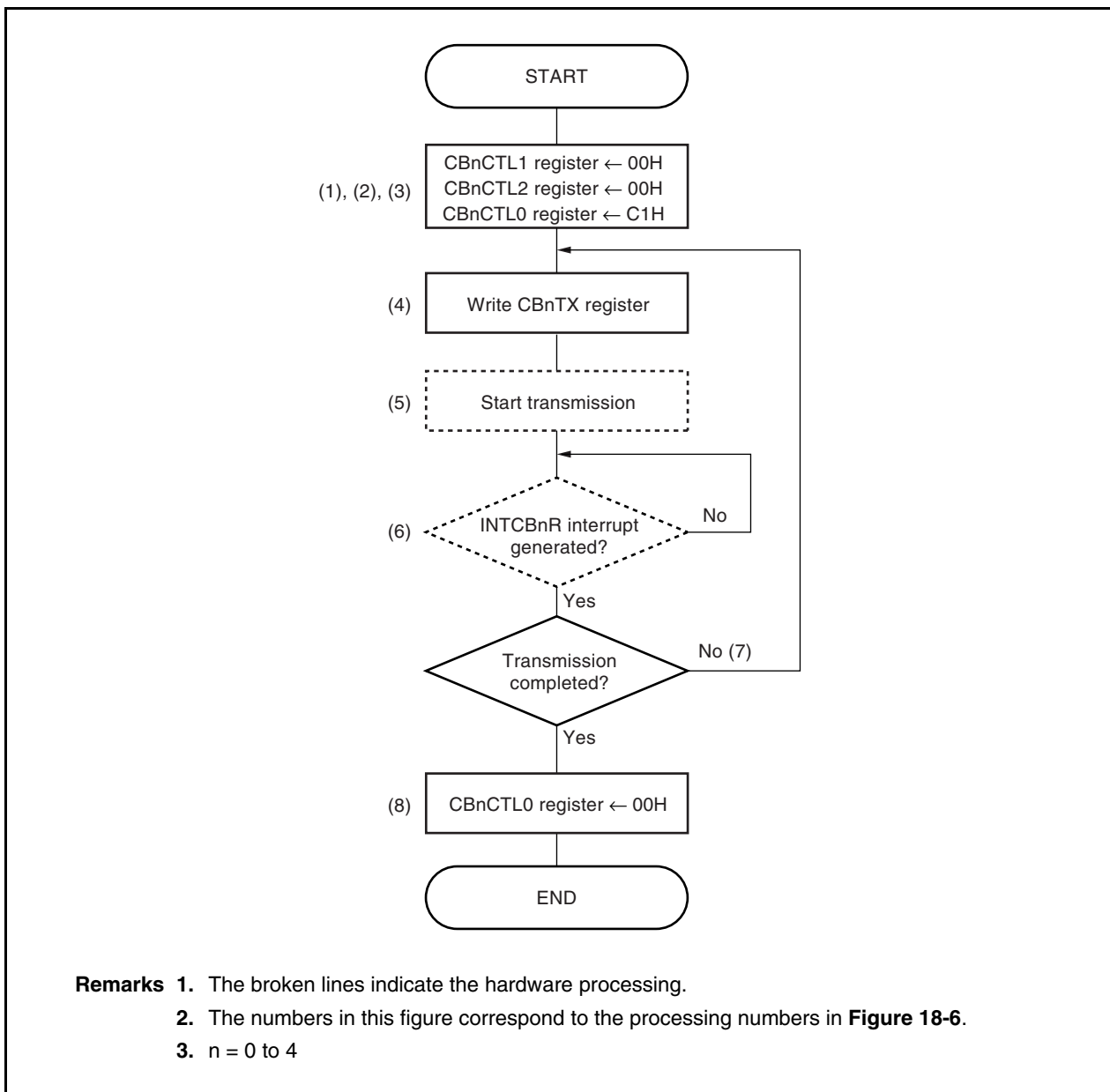
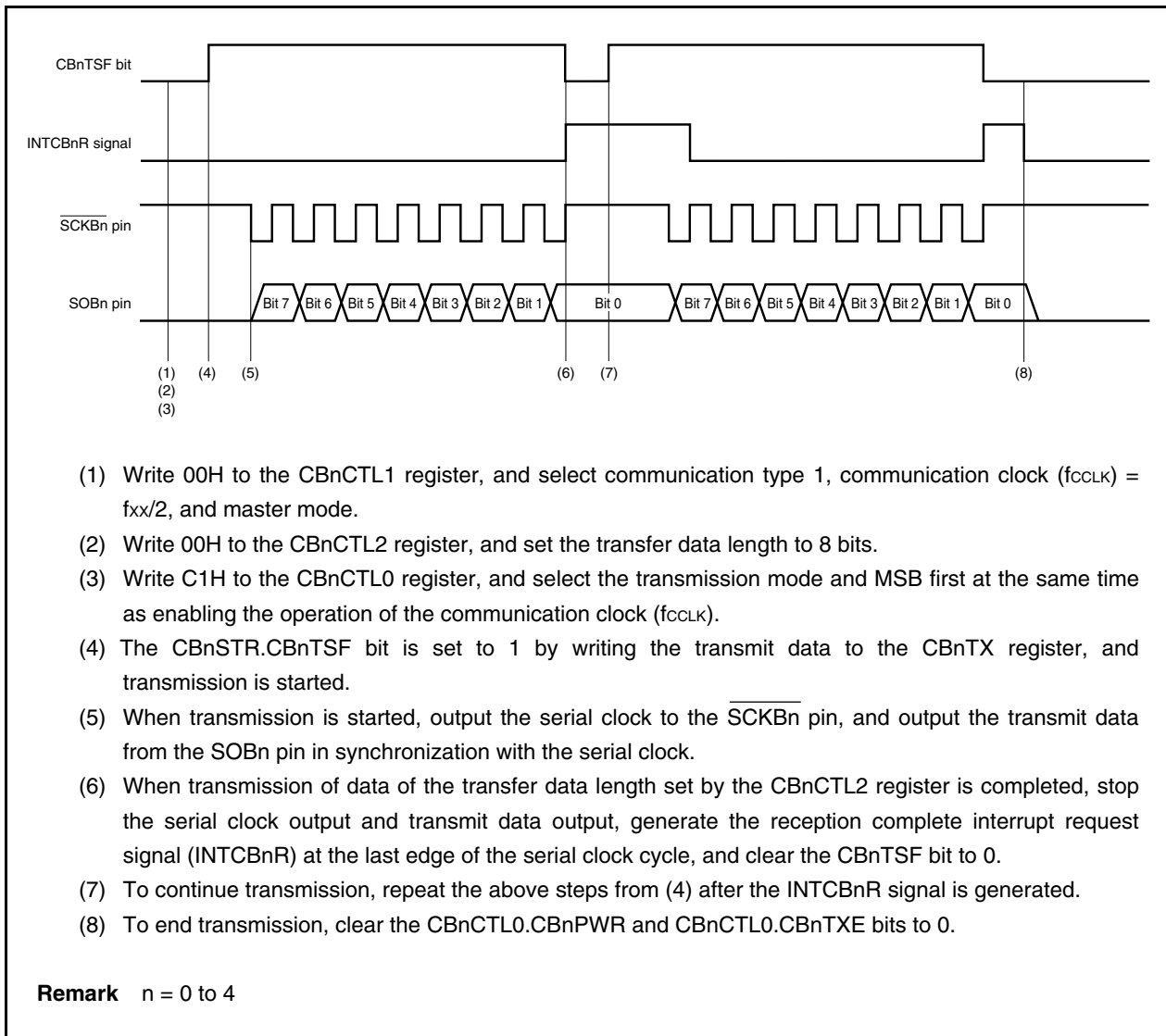


Figure 18-6. Single Transfer Mode Operation Timing (Master Mode, Transmission Mode)

18.6.2 Single transfer mode (master mode, reception mode)

MSB first (CBnCTL0.CBnDIR bit = 0), communication type 1 (CBnCTL1.CBnCKP and CBnCTL1.CBnDAP bits = 00), communication clock (f_{CLK}) = $f_{\text{xx}}/2$ (CBnCTL1.CBnCKS2 to CBnCTL1.CBnCKS0 bits = 000), transfer data length = 8 bits (CBnCTL2.CBnCL3 to CBnCTL2.CBnCL0 bits = 0000)

Figure 18-7. Single Transfer Mode Operation (Master Mode, Reception Mode)

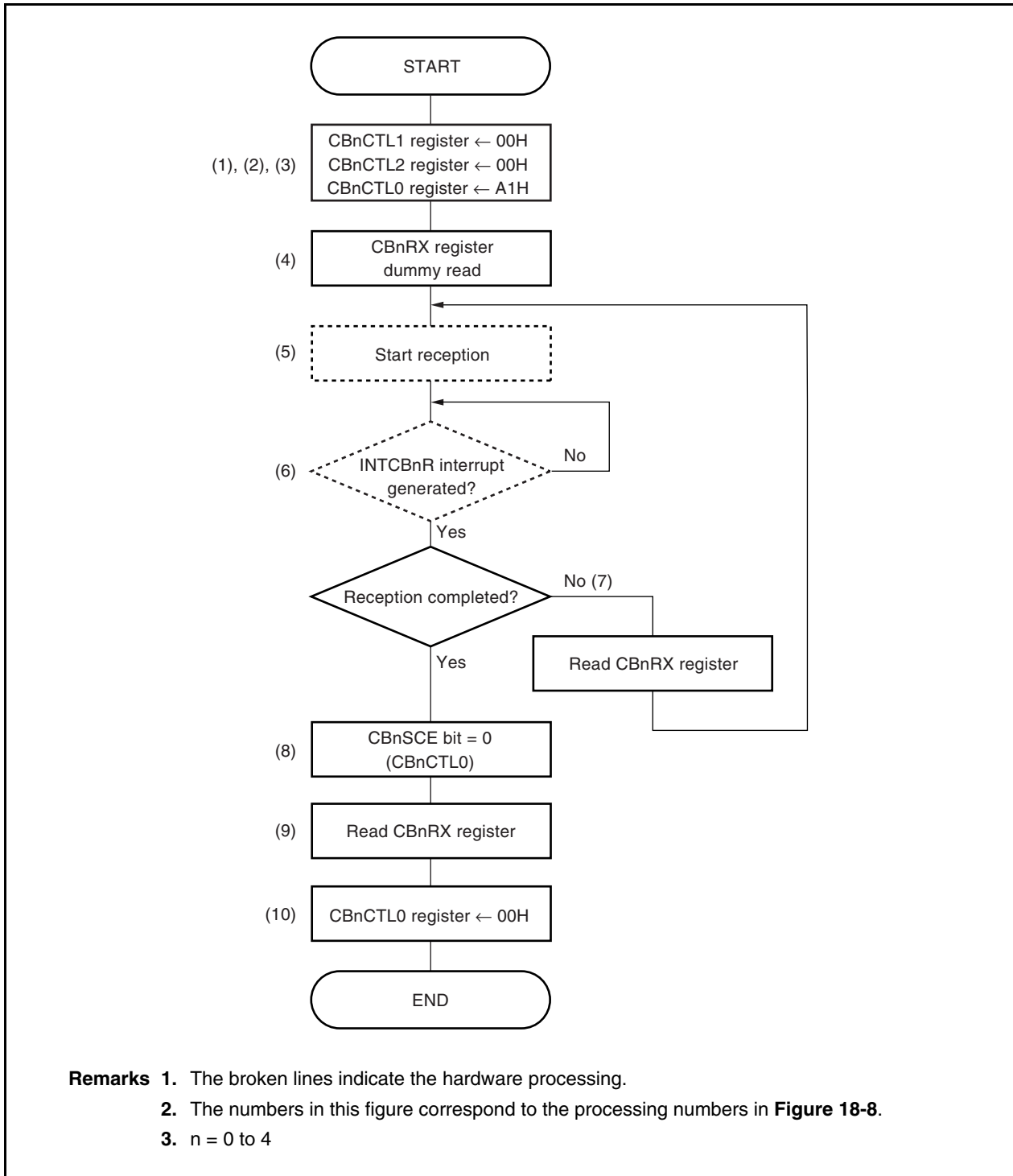
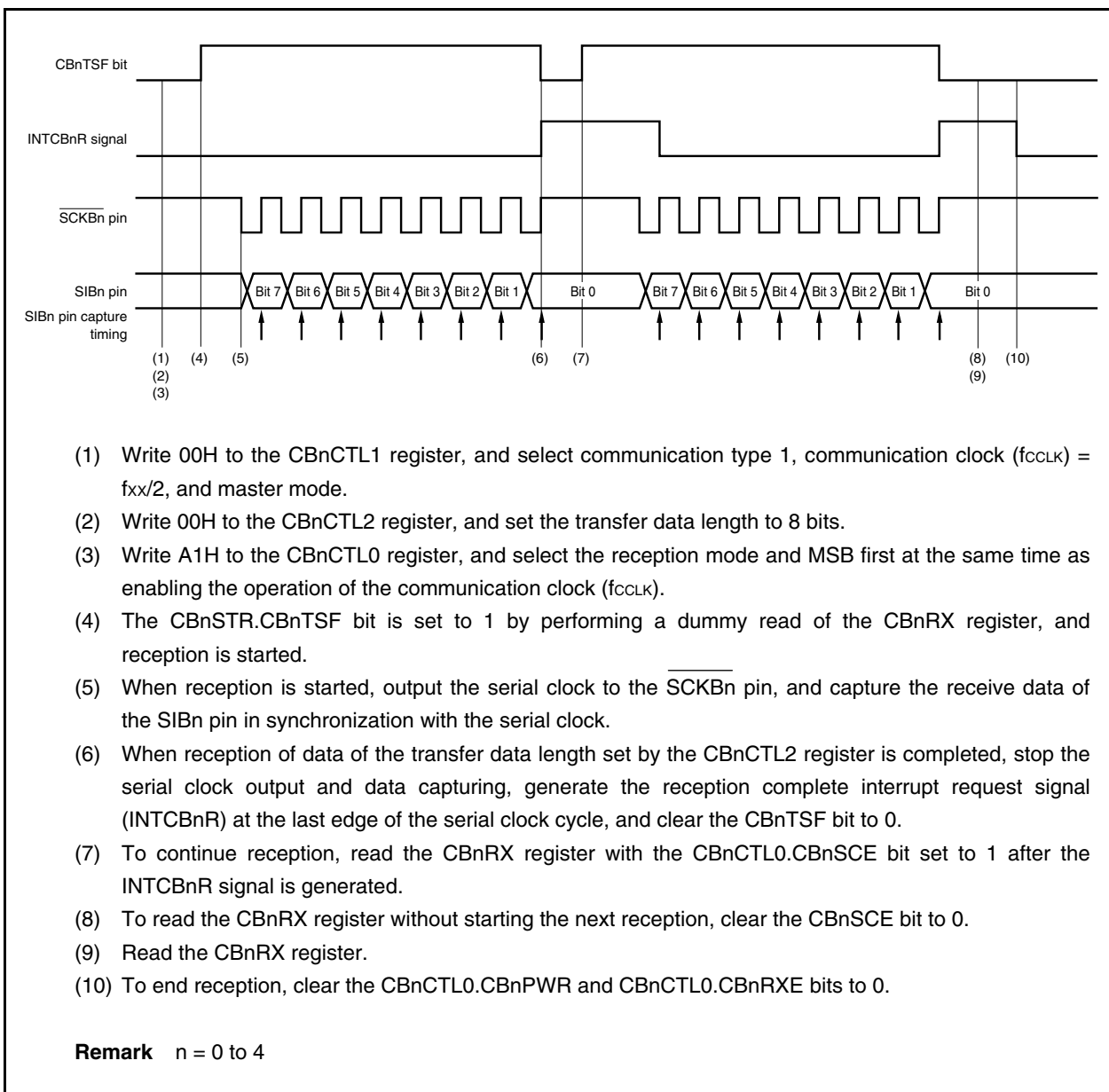


Figure 18-8. Single Transfer Mode Operation Timing (Master Mode, Reception Mode)



18.6.3 Single transfer mode (master mode, transmission/reception mode)

MSB first (CBnCTL0.CBnDIR bit = 0), communication type 1 (CBnCTL1.CBnCKP and CBnCTL1.CBnDAP bits = 00), communication clock (f_{CCLK}) = $f_{\text{xx}}/2$ (CBnCTL1.CBnCKS2 to CBnCTL1.CBnCKS0 bits = 000), transfer data length = 8 bits (CBnCTL2.CBnCL3 to CBnCTL2.CBnCL0 bits = 0000)

Figure 18-9. Single Transfer Mode Operation (Master Mode, Transmission/Reception Mode)

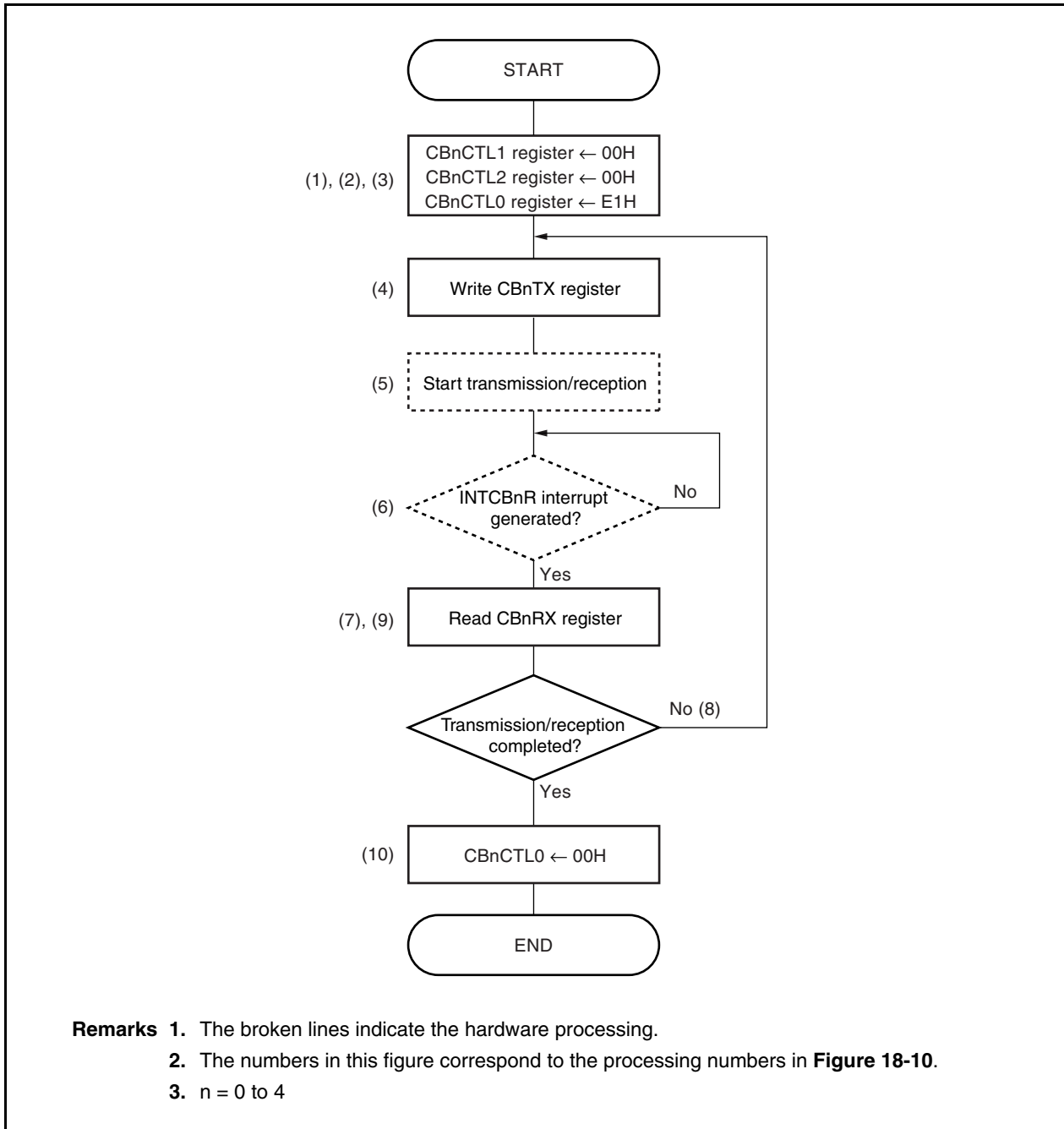
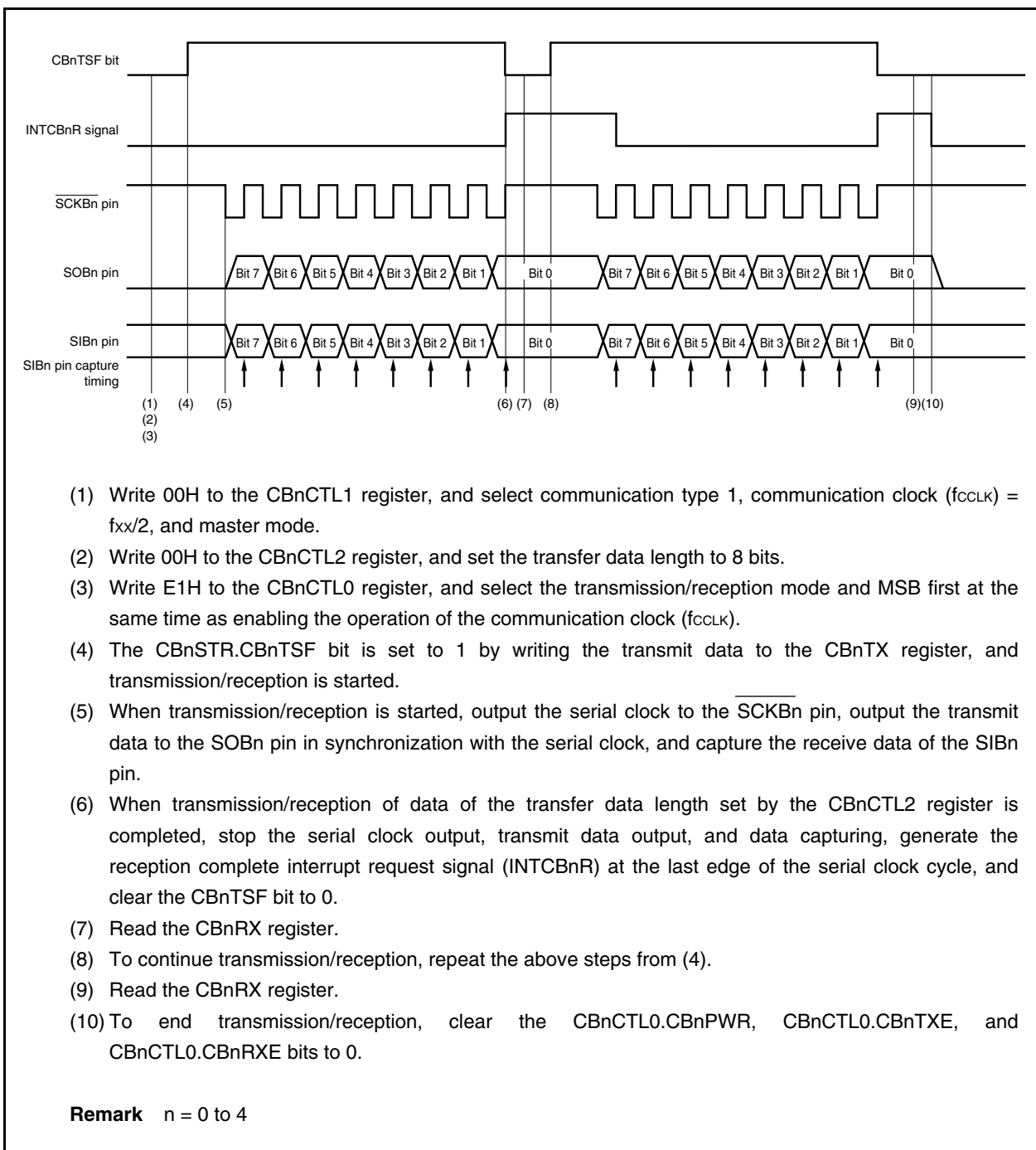


Figure 18-10. Single Transfer Mode Operation Timing (Master Mode, Transmission/Reception Mode)

18.6.4 Single transfer mode (slave mode, transmission mode)

MSB first (CBnCTL0.CBnDIR bit = 0), communication type 1 (CBnCTL1.CBnCKP and CBnCTL1.CBnDAP bits = 00), communication clock (f_{CLK}) = external clock ($\overline{\text{SCKBn}}$) (CBnCTL1.CBnCKS2 to CBnCTL1.CBnCKS0 bits = 111), transfer data length = 8 bits (CBnCTL2.CBnCL3 to CBnCTL2.CBnCL0 bits = 0000)

Figure 18-11. Single Transfer Mode Operation (Slave Mode, Transmission Mode)

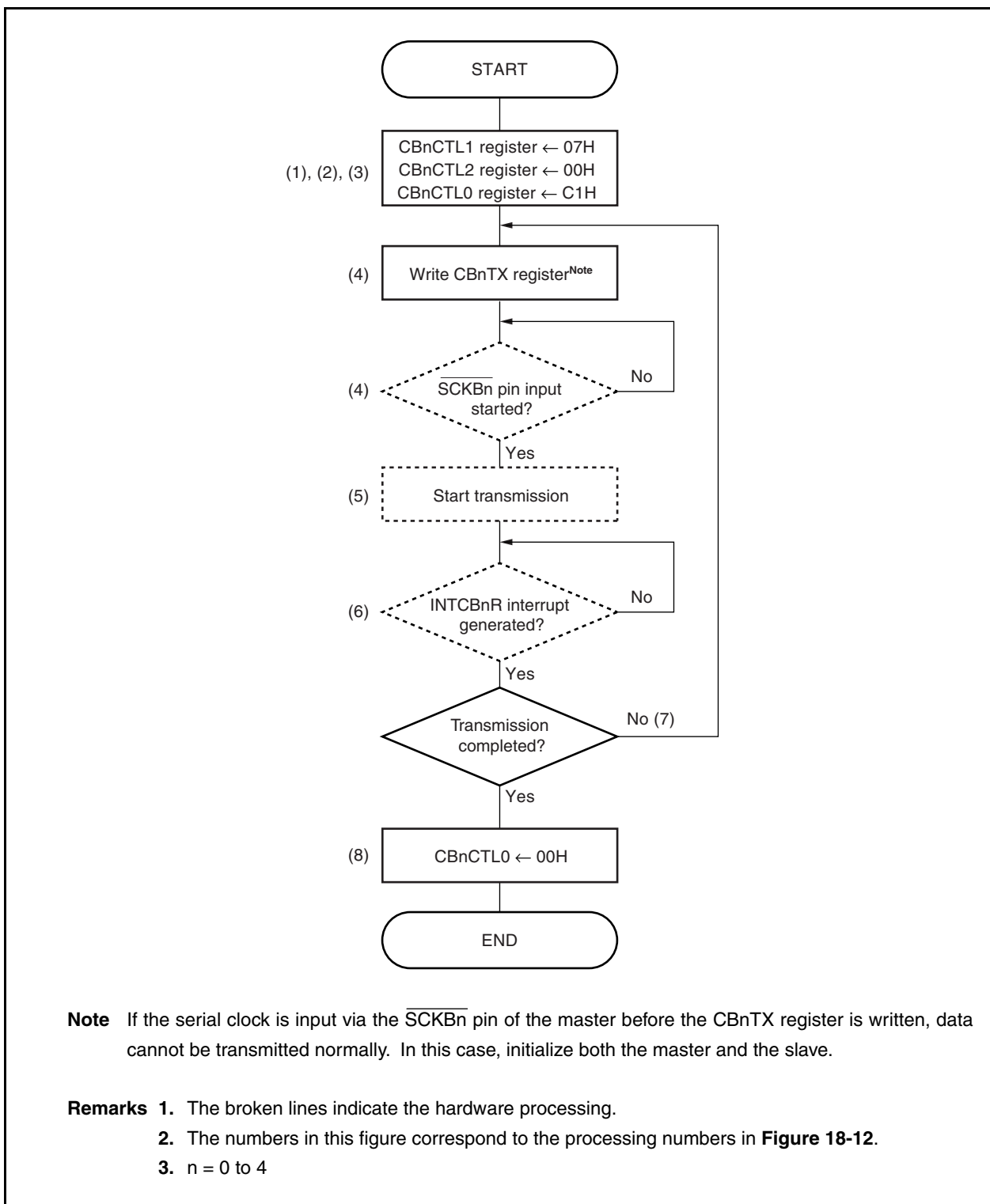
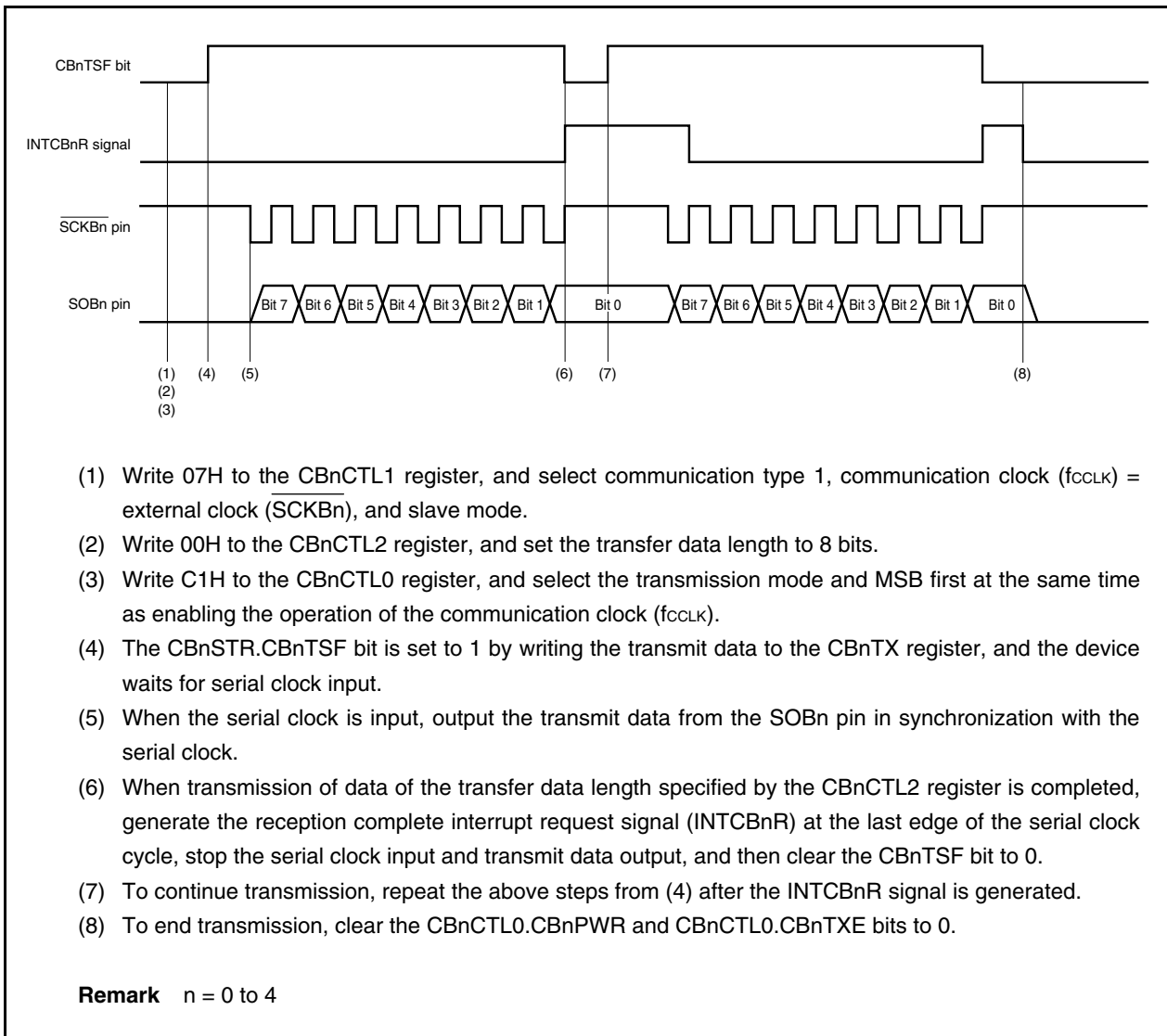


Figure 18-12. Single Transfer Mode Operation Timing (Slave Mode, Transmission Mode)



18.6.5 Single transfer mode (slave mode, reception mode)

MSB first (CBnCTL0.CBnDIR bit = 0), communication type 1 (CBnCTL1.CBnCKP and CBnCTL1.CBnDAP bits = 00), communication clock (f_{CLK}) = external clock ($\overline{\text{SCKBn}}$) (CBnCTL1.CBnCKS2 to CBnCTL1.CBnCKS0 bits = 111), transfer data length = 8 bits (CBnCTL2.CBnCL3 to CBnCTL2.CBnCL0 bits = 0000)

Figure 18-13. Single Transfer Mode Operation (Slave Mode, Reception Mode)

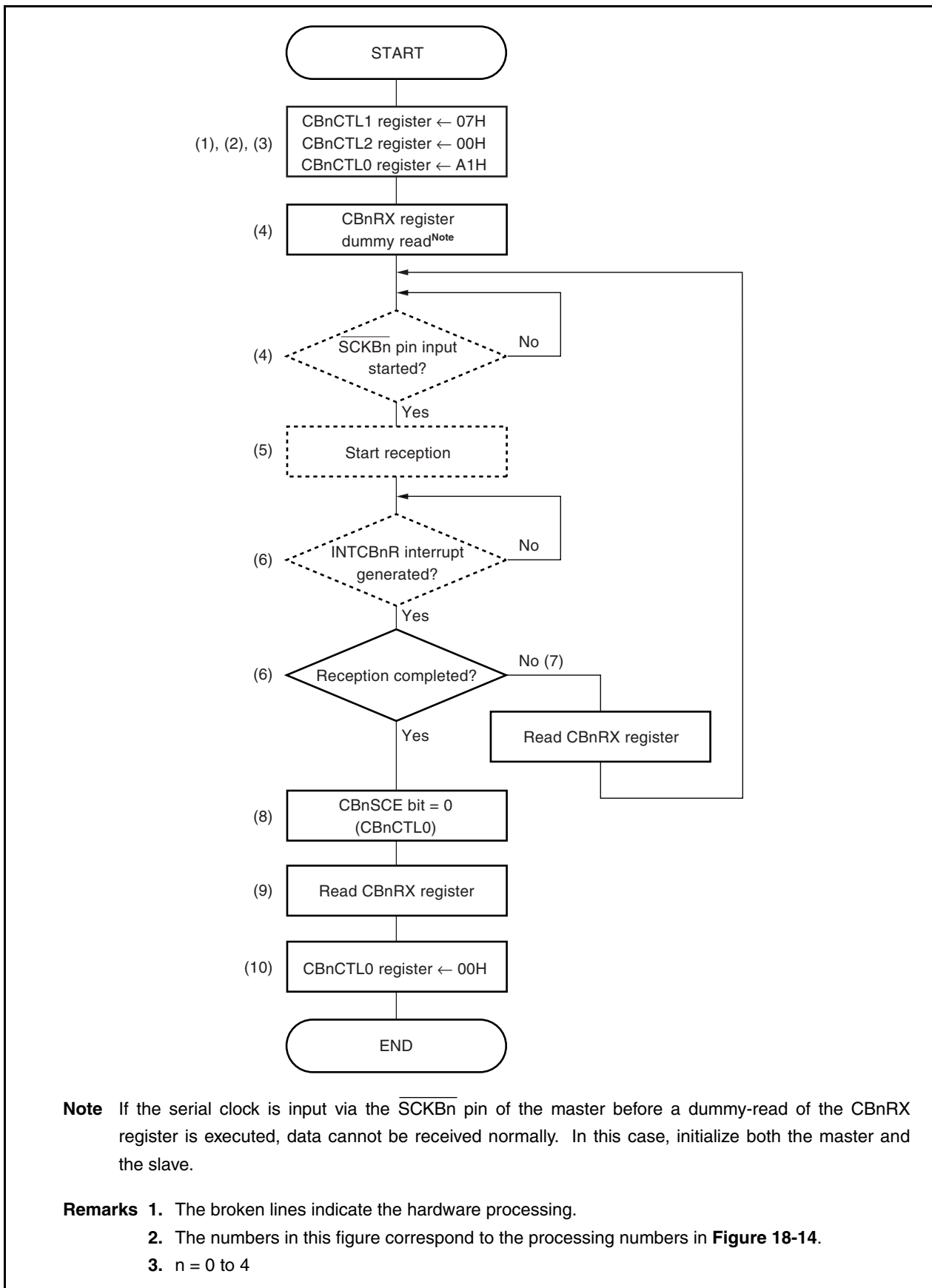
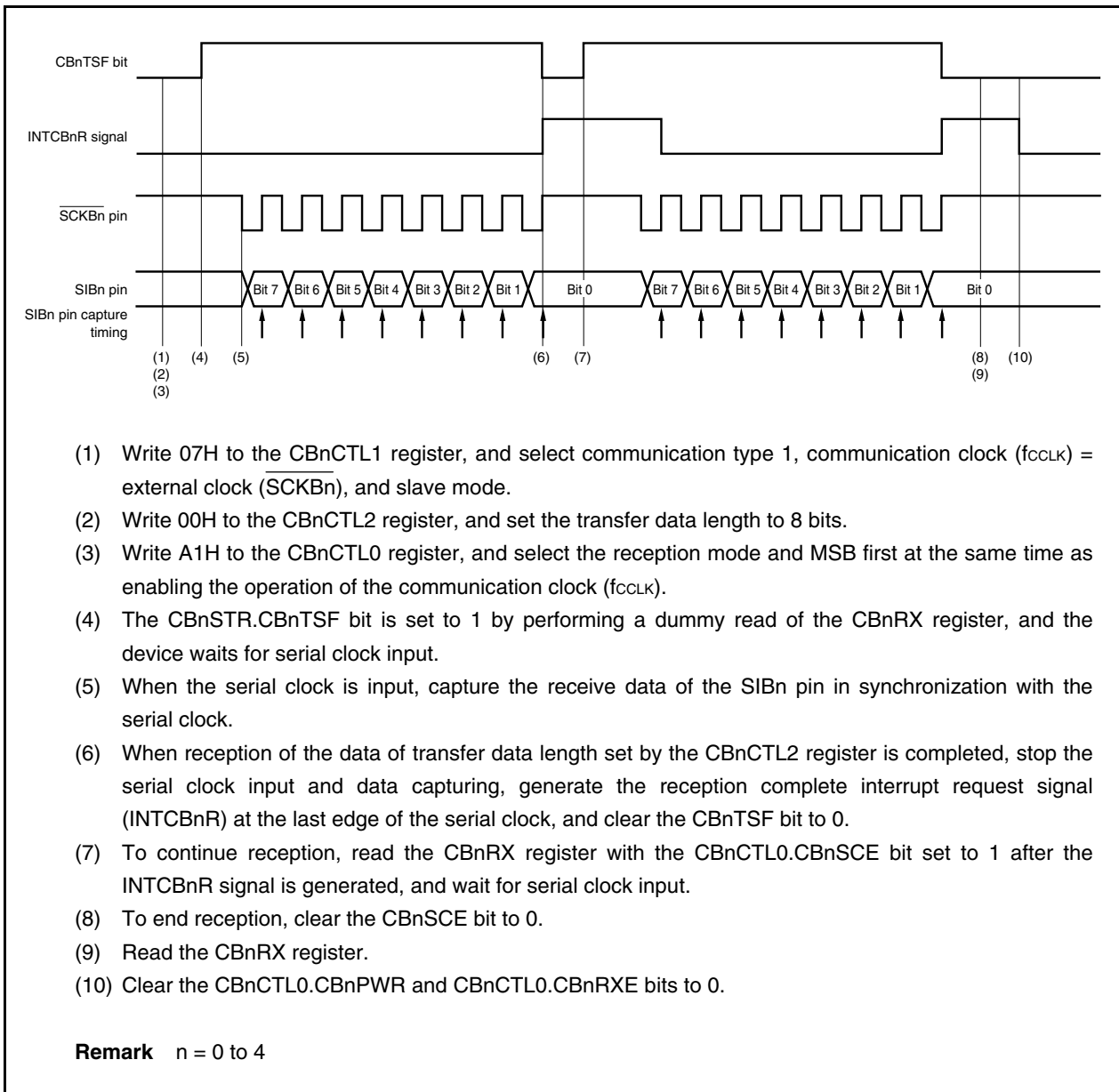


Figure 18-14. Single Transfer Mode Operation Timing (Slave Mode, Reception Mode)



18.6.6 Single transfer mode (slave mode, transmission/reception mode)

MSB first (CBnCTL0.CBnDIR bit = 0), communication type 1 (CBnCTL1.CBnCKP and CBnCTL1.CBnDAP bits = 00), communication clock (f_{CLK}) = external clock (\overline{SCKBn}) (CBnCTL1.CBnCKS2 to CBnCTL1.CBnCKS0 bits = 111), transfer data length = 8 bits (CBnCTL2.CBnCL3 to CBnCTL2.CBnCL0 bits = 0000)

Figure 18-15. Single Transfer Mode Operation (Slave Mode, Transmission/Reception Mode)

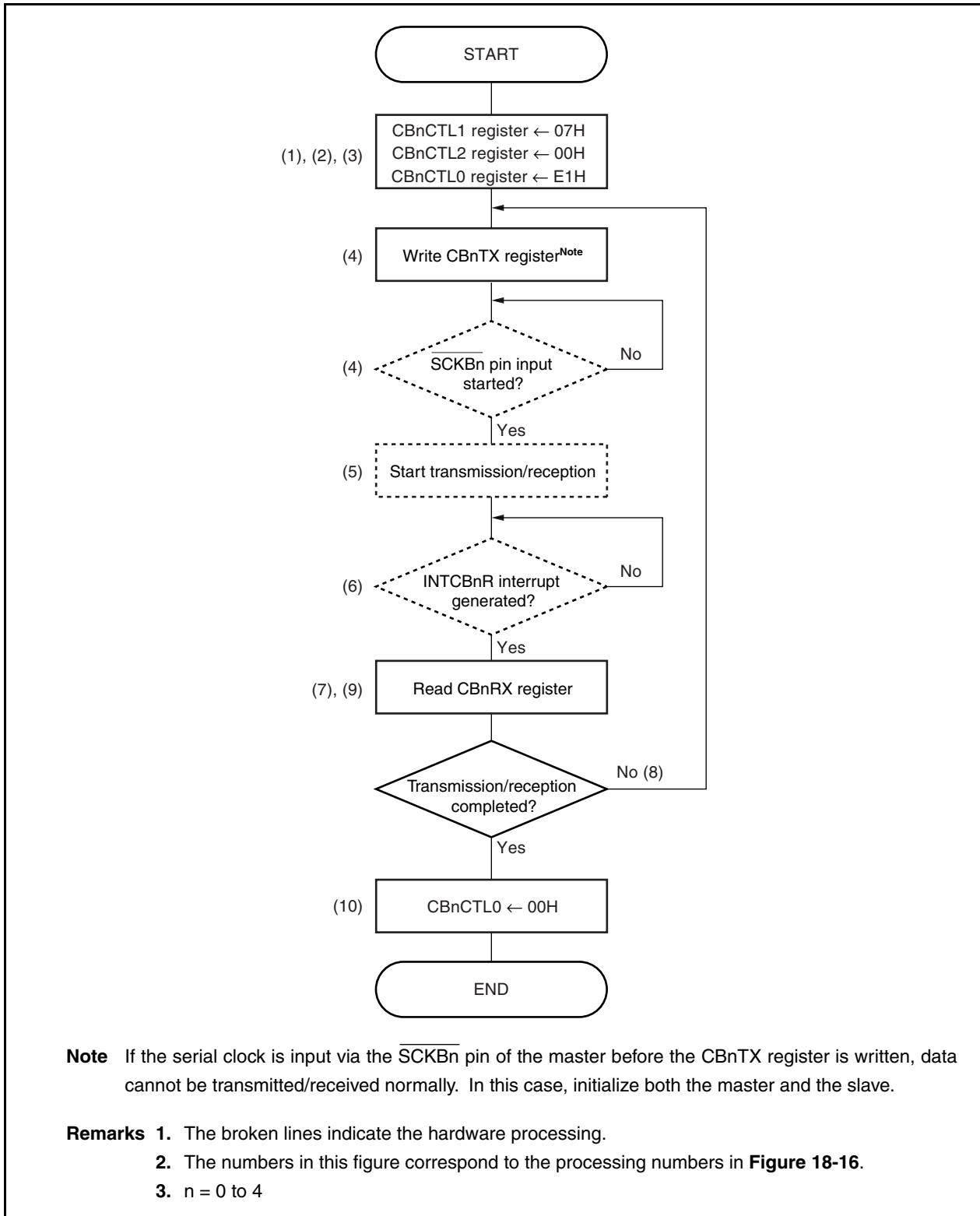
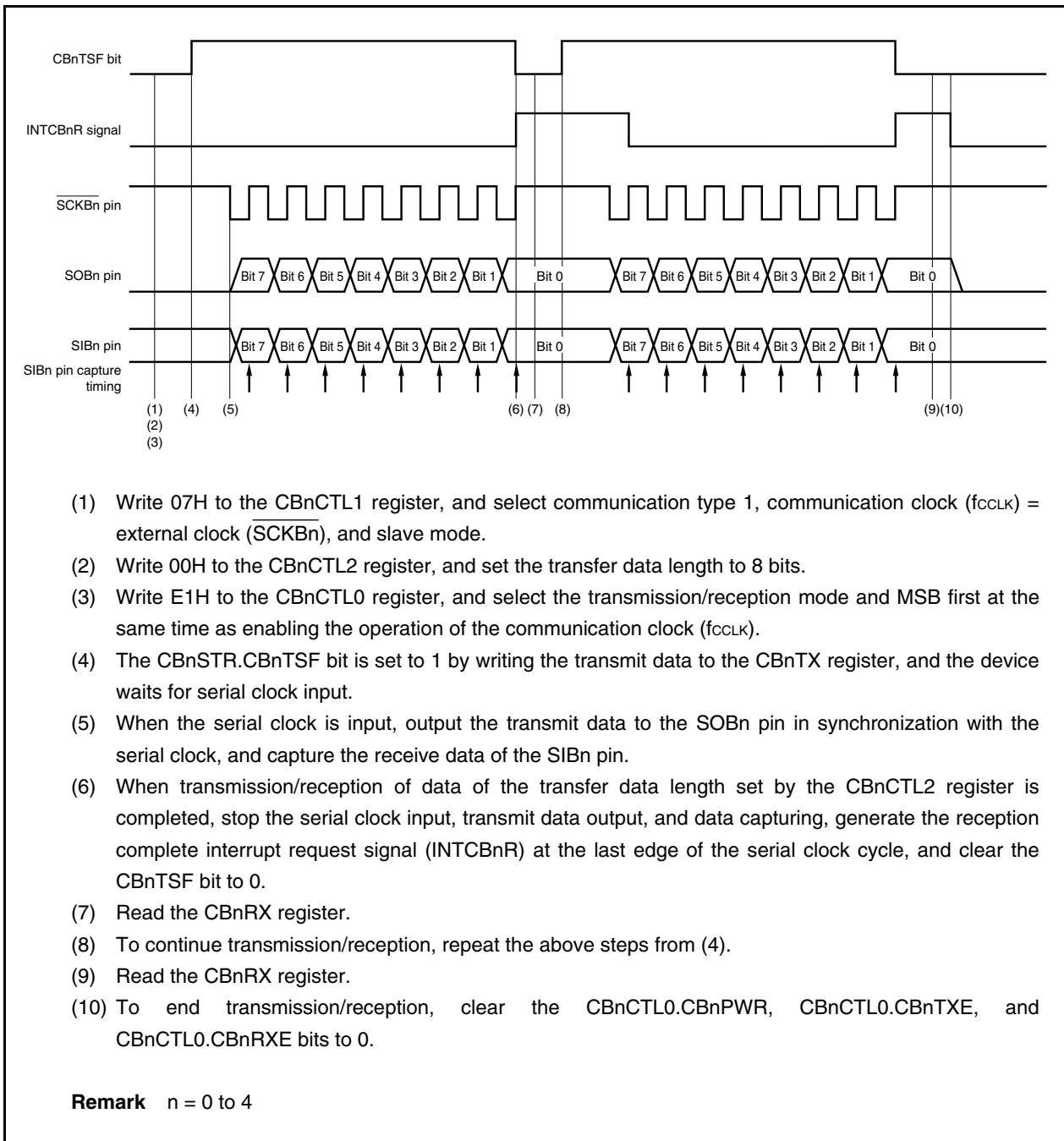


Figure 18-16. Single Transfer Mode Operation Timing (Slave Mode, Transmission/Reception Mode)



18.6.7 Continuous transfer mode (master mode, transmission mode)

MSB first (CBnCTL0.CBnDIR bit = 0), communication type 1 (CBnCTL1.CBnCKP and CBnCTL1.CBnDAP bits = 00), communication clock (f_{CCLK}) = f_{xx}/2 (CBnCTL1.CBnCKS2 to CBnCTL1.CBnCKS0 bits = 000), transfer data length = 8 bits (CBnCTL2.CBnCL3 to CBnCTL2.CBnCL0 bits = 0000)

Figure 18-17. Continuous Transfer Mode Operation (Master Mode, Transmission Mode)

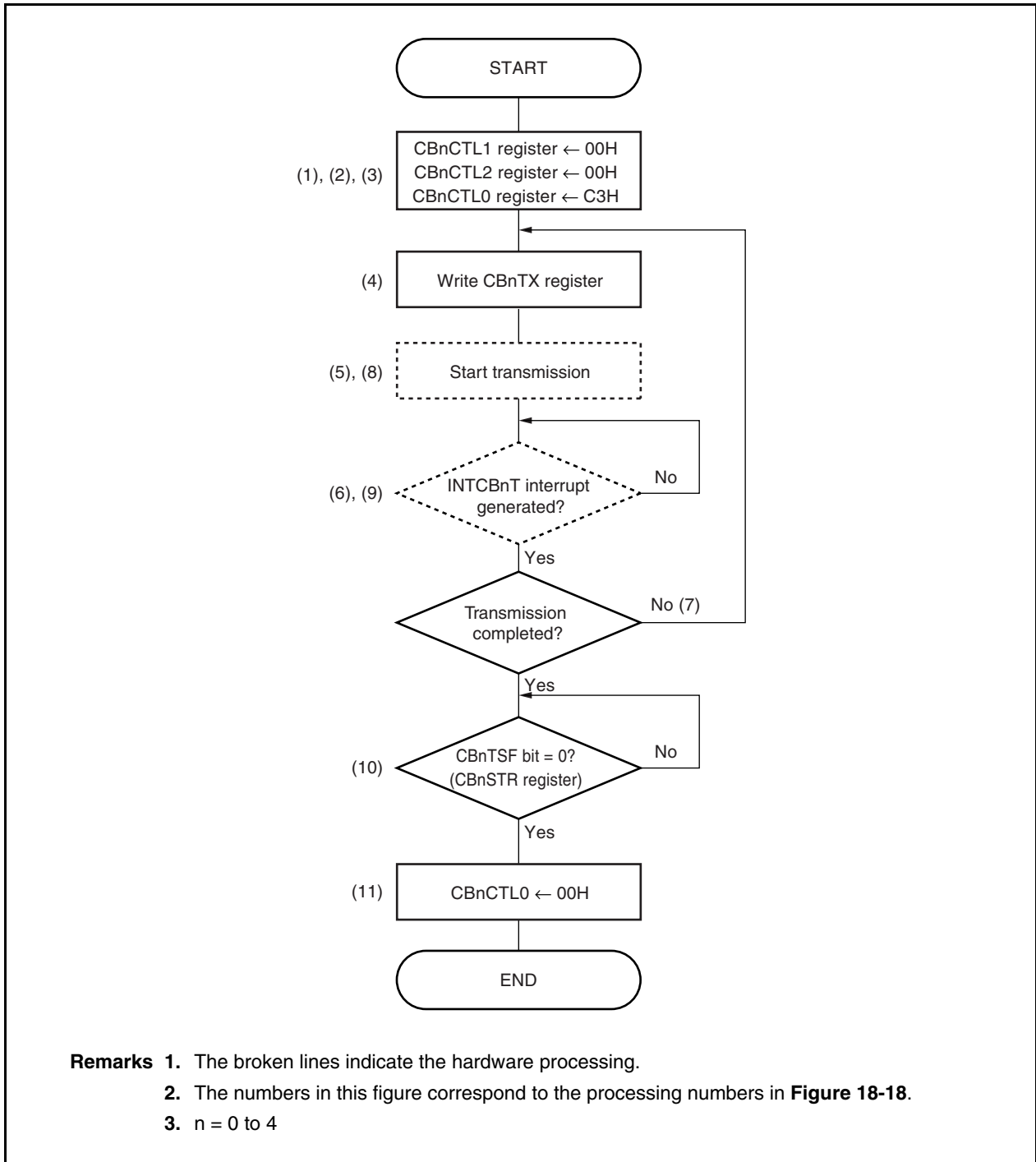
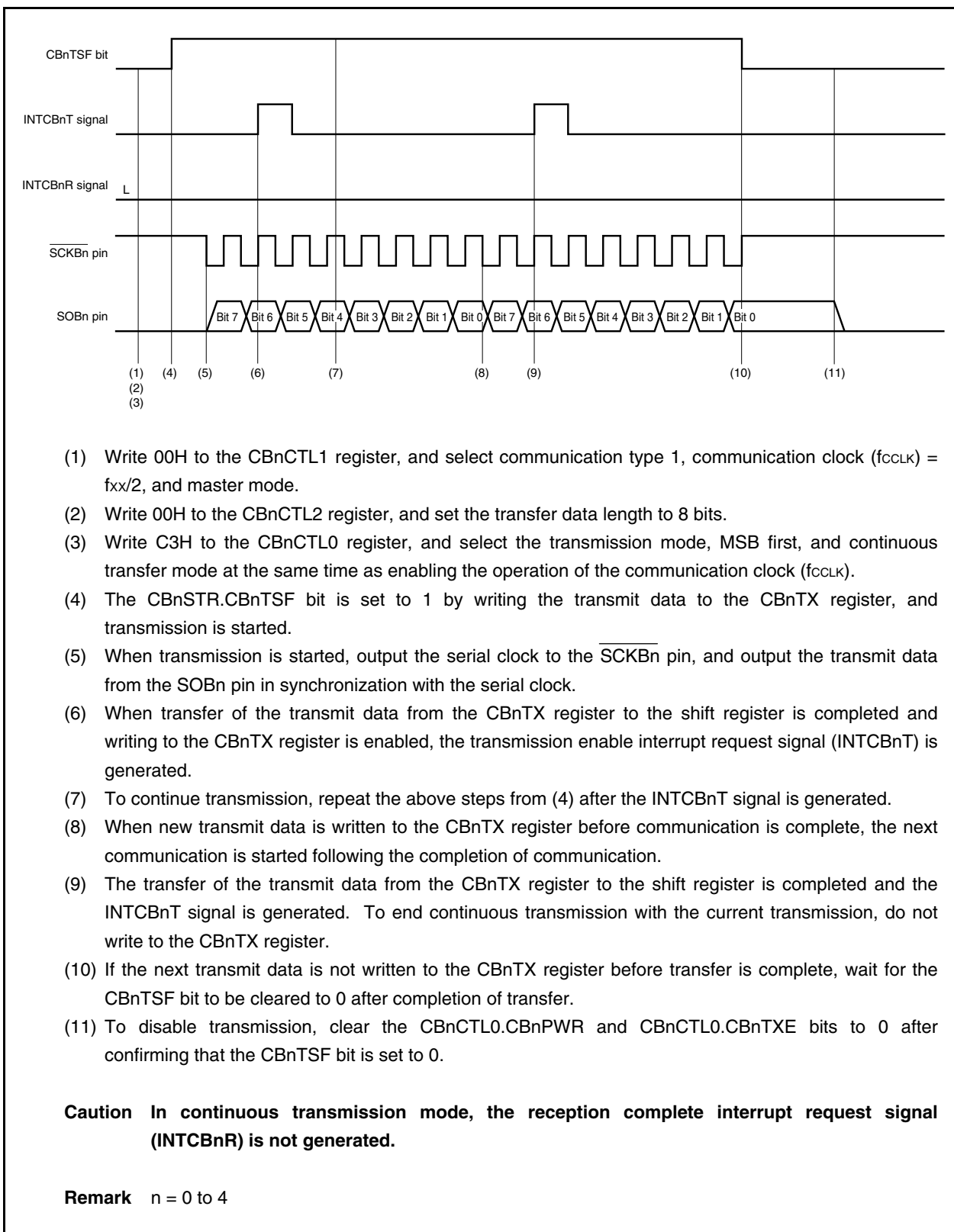


Figure 18-18. Continuous Transfer Mode Operation Timing (Master Mode, Transmission Mode)

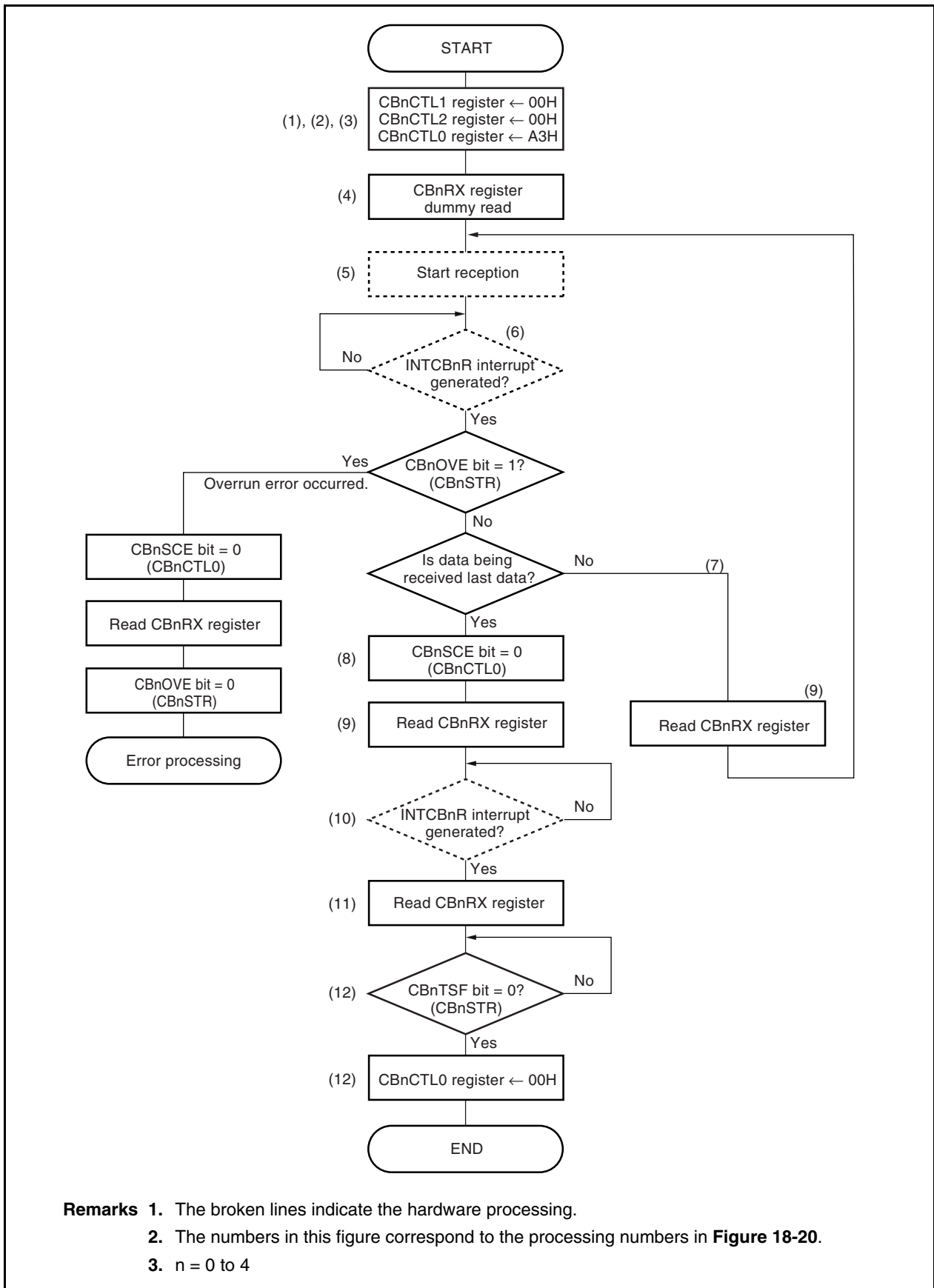
18.6.8 Continuous transfer mode (master mode, reception mode)

MSB first (CBnCTL0.CBnDIR bit = 0), communication type 1 (CBnCTL1.CBnCKP and CBnCTL1.CBnDAP bits = 00), communication clock ($f_{\text{CCLK}} = f_{\text{xx}}/2$) (CBnCTL1.CBnCKS2 to CBnCTL1.CBnCKS0 bits = 000), transfer data length = 8 bits (CBnCTL2.CBnCL3 to CBnCTL2.CBnCL0 bits = 0000)

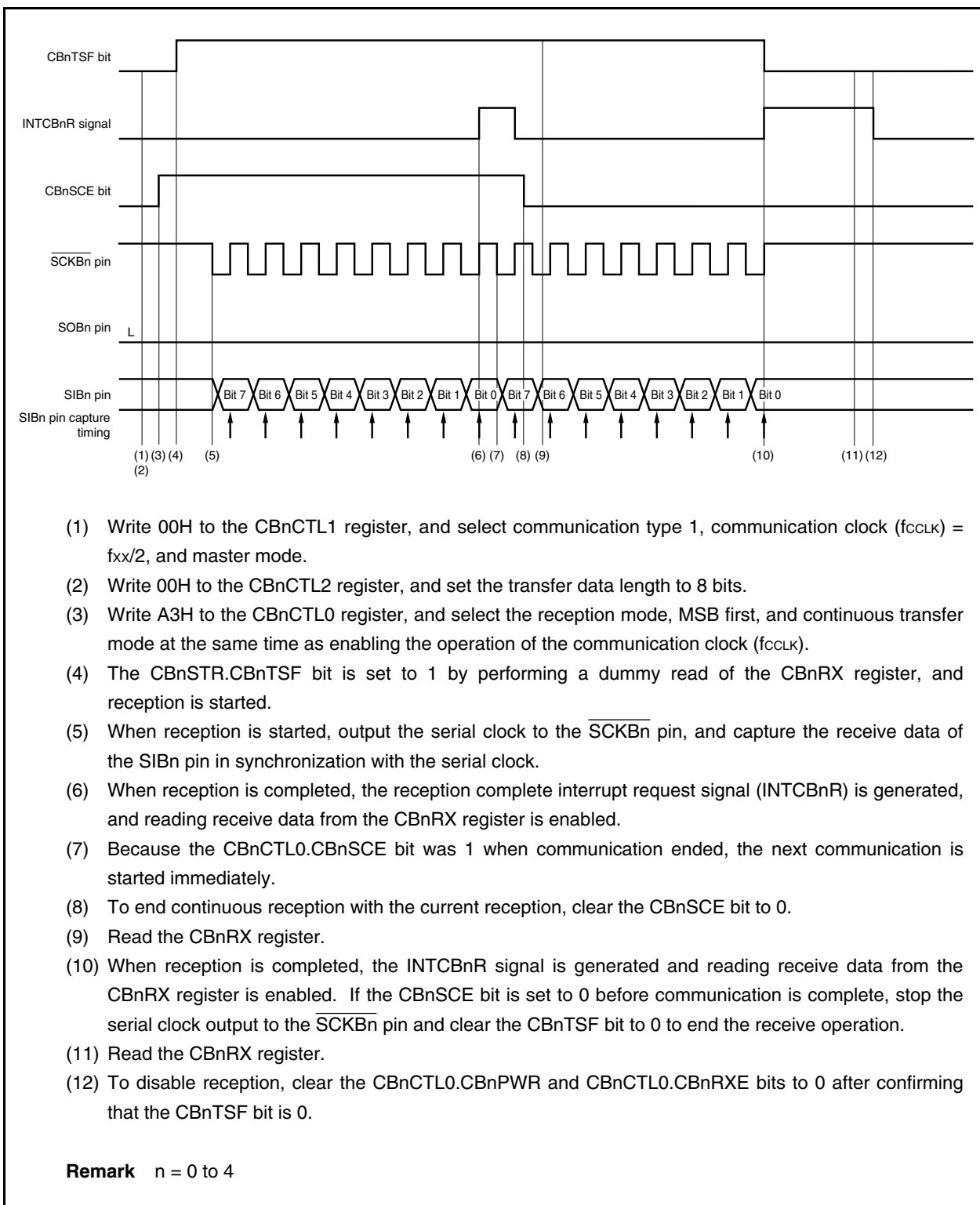
The flowchart in Figure 18-19 shows the operation where a specified number of data items are received in the master mode. Operations are repeated until all the specified data items are received. If an overrun error occurs, however, transfer ends. Perform error processing as necessary. For details about the overrun error, see **18.6.13 Reception errors**.

The operation timing in Figure 18-20 shows a case where no error occurred.

Figure 18-19. Continuous Transfer Mode Operation (Master Mode, Reception Mode)



Remarks 1. The broken lines indicate the hardware processing.
 2. The numbers in this figure correspond to the processing numbers in **Figure 18-20**.
 3. n = 0 to 4

Figure 18-20. Continuous Transfer Mode Operation Timing (Master Mode, Reception Mode)

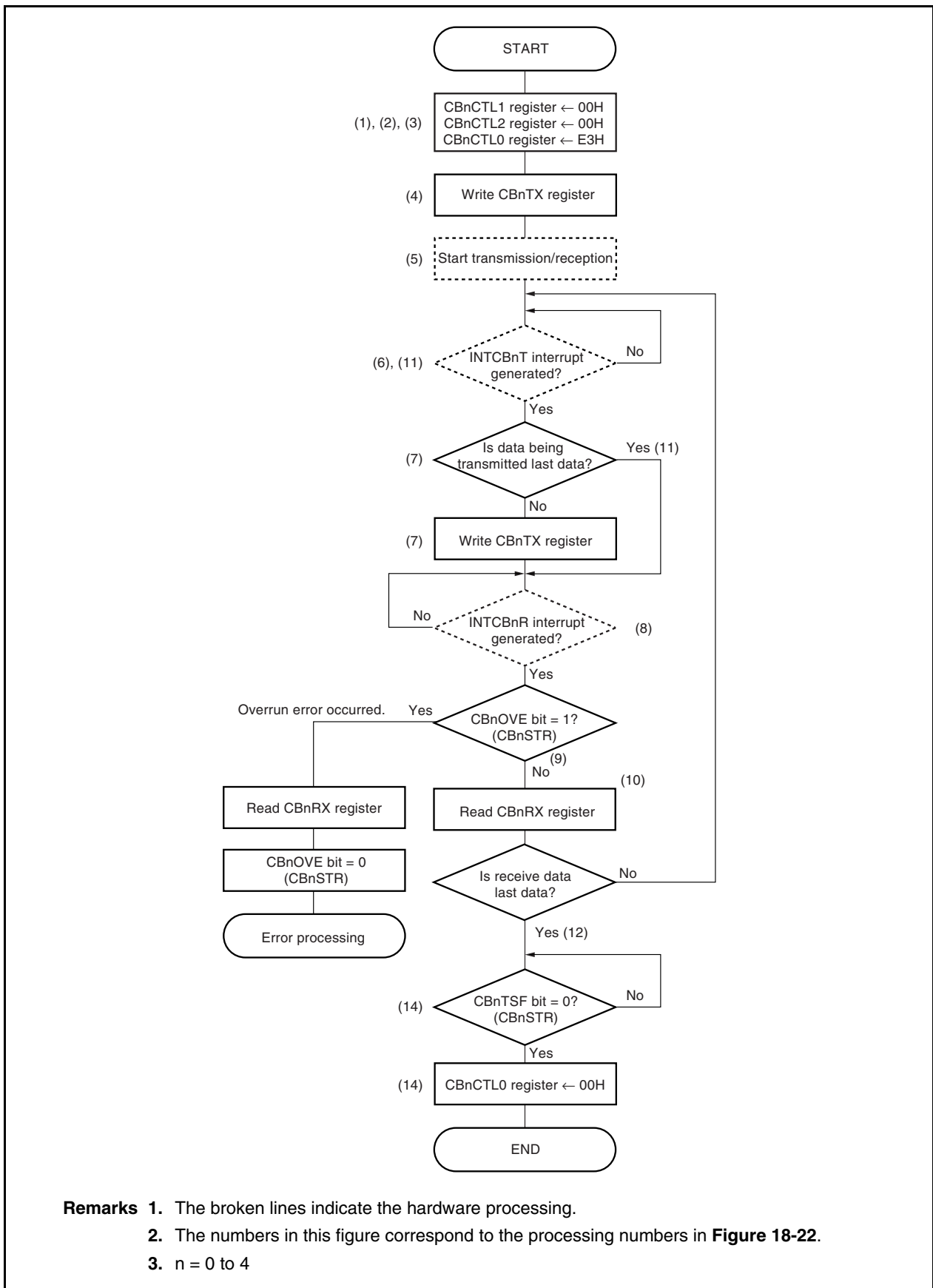
18.6.9 Continuous transfer mode (master mode, transmission/reception mode)

MSB first (CBnCTL0.CBnDIR bit = 0), communication type 1 (CBnCTL1.CBnCKP and CBnCTL1.CBnDAP bits = 00), communication clock ($f_{\text{CCLK}} = f_{\text{xx}}/2$) (CBnCTL1.CBnCKS2 to CBnCTL1.CBnCKS0 bits = 000), transfer data length = 8 bits (CBnCTL2.CBnCL3 to CBnCTL2.CBnCL0 bits = 0000)

The flowchart in Figure 18-21 shows the operation where the specified number of transmit/receive data items are transmitted/received in the master mode. Operations are repeated until all the specified data items are transmitted/received. If an overrun error occurs, however, transfer ends. Perform error processing as necessary. For details about the overrun error, see **18.6.13 Reception errors**.

The operation timing in Figure 18-22 shows a case where no error occurred.

Figure 18-21. Continuous Transfer Mode Operation (Master Mode, Transmission/Reception Mode)



- Remarks**
1. The broken lines indicate the hardware processing.
 2. The numbers in this figure correspond to the processing numbers in **Figure 18-22**.
 3. n = 0 to 4

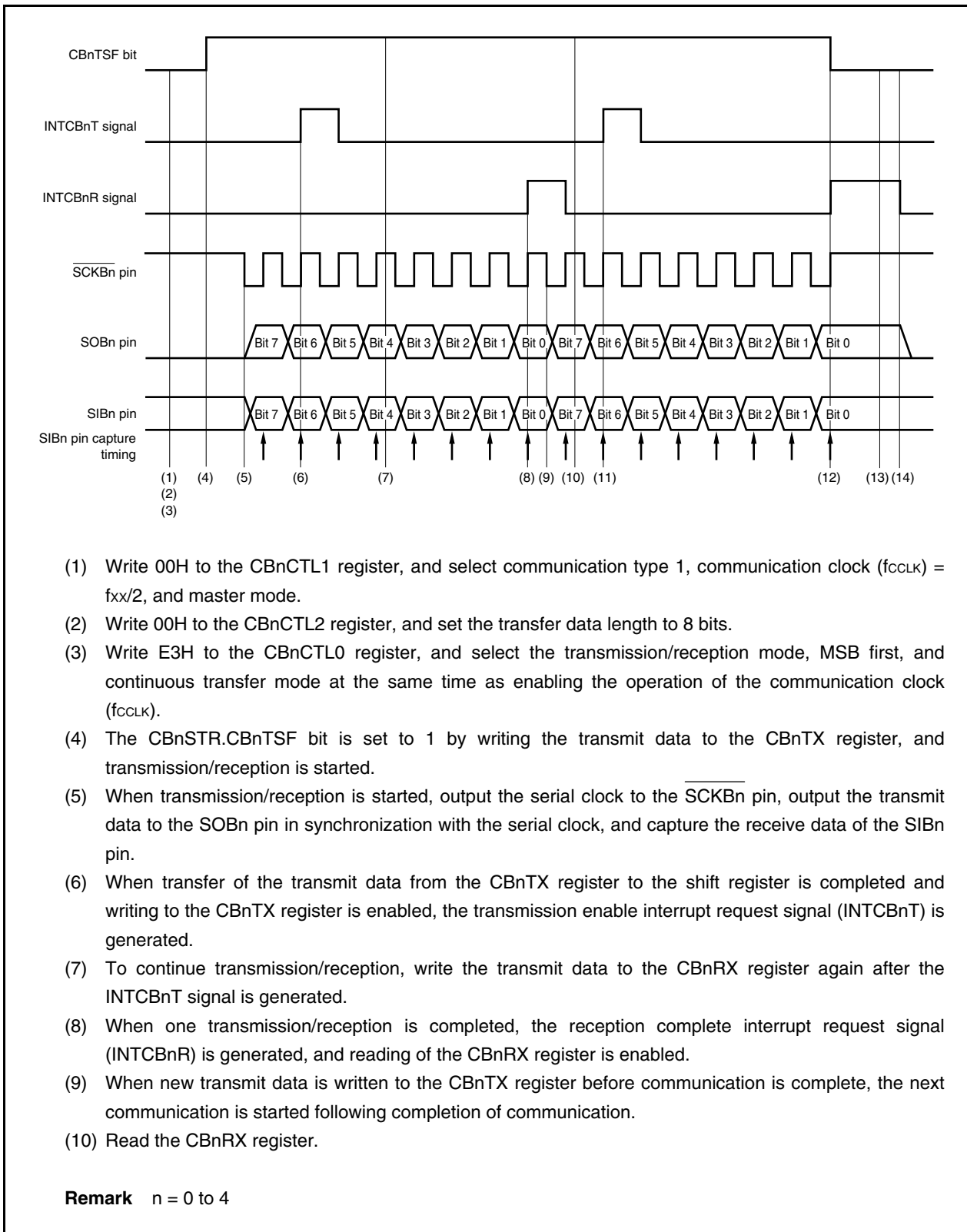
Figure 18-22. Continuous Transfer Mode Operation Timing (Master Mode, Transmission/Reception Mode) (1/2)

Figure 18-22. Continuous Transfer Mode Operation Timing (Master Mode, Transmission/Reception Mode) (2/2)

- (11) The transfer of the transmit data from the CBnTX register to the shift register is completed and the INTCBnT signal is generated. To end continuous transmission/reception with the current transmission/reception, do not write to the CBnTX register.
- (12) If the next transmit data is not written to the CBnTX register before transfer is complete, stop outputting the serial clock to the $\overline{\text{SCKBn}}$ pin and wait for the CBnTSF bit to be cleared to 0 after completion of transfer.
- (13) When the reception complete interrupt request signal (INTCBnR) is generated, read the CBnRX register.
- (14) To disable transmission/reception, clear the CBnCTL0.CBnPWR, CBnCTL0.CBnTXE, and CBnCTL0.CBnRXE bits to 0 after confirming that the CBnTSF bit is set to 0.

Remark n = 0 to 4

18.6.10 Continuous transfer mode (slave mode, transmission mode)

MSB first (CBnCTL0.CBnDIR bit = 0), communication type 1 (CBnCTL1.CBnCKP and CBnCTL1.CBnDAP bits = 00), communication clock (f_{CLK}) = external clock (\overline{SCKBn}) (CBnCTL1.CBnCKS2 to CBnCTL1.CBnCKS0 bits = 111), transfer data length = 8 bits (CBnCTL2.CBnCL3 to CBnCTL2.CBnCL0 bits = 0000)

Figure 18-23. Continuous Transfer Mode Operation (Slave Mode, Transmission Mode)

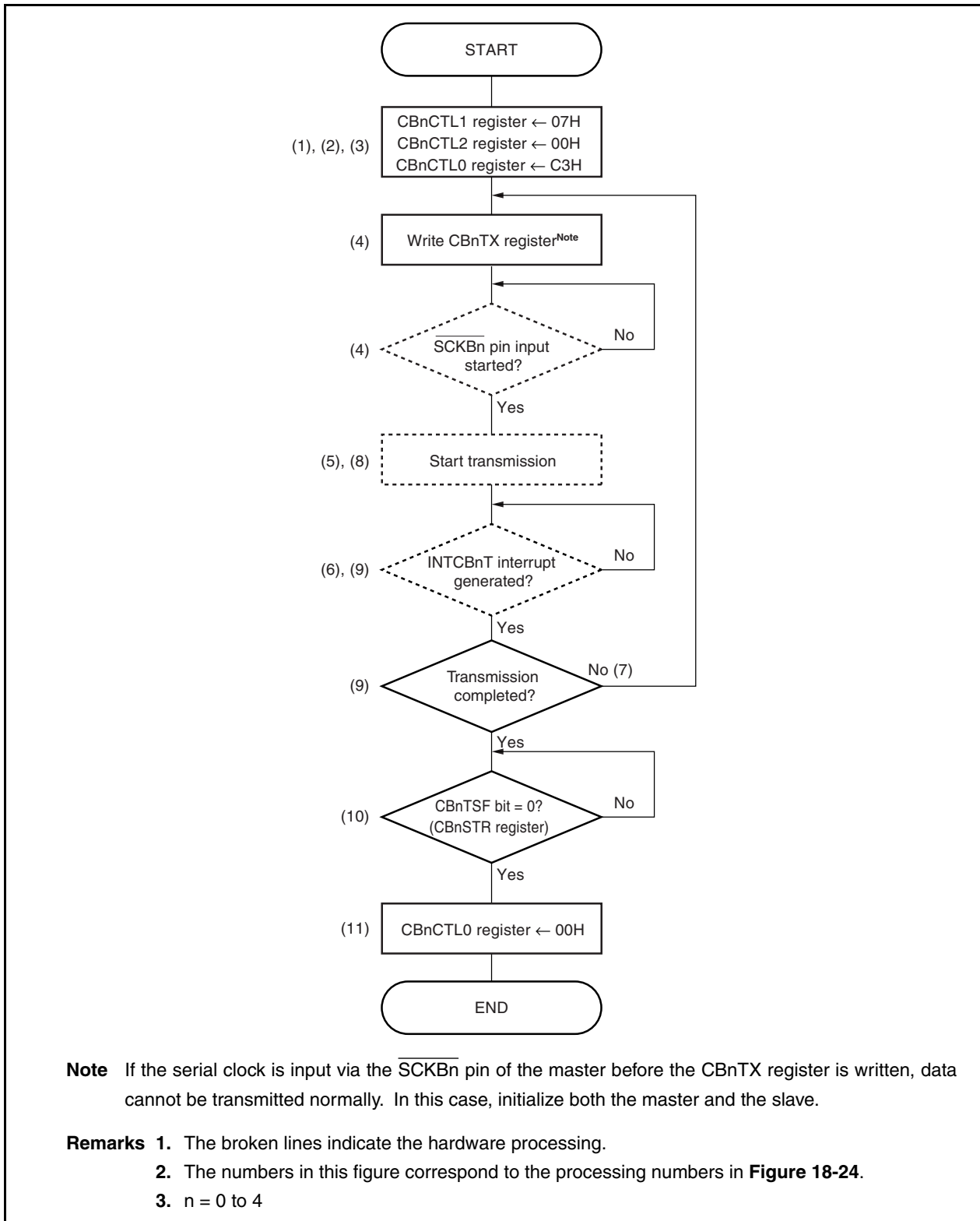
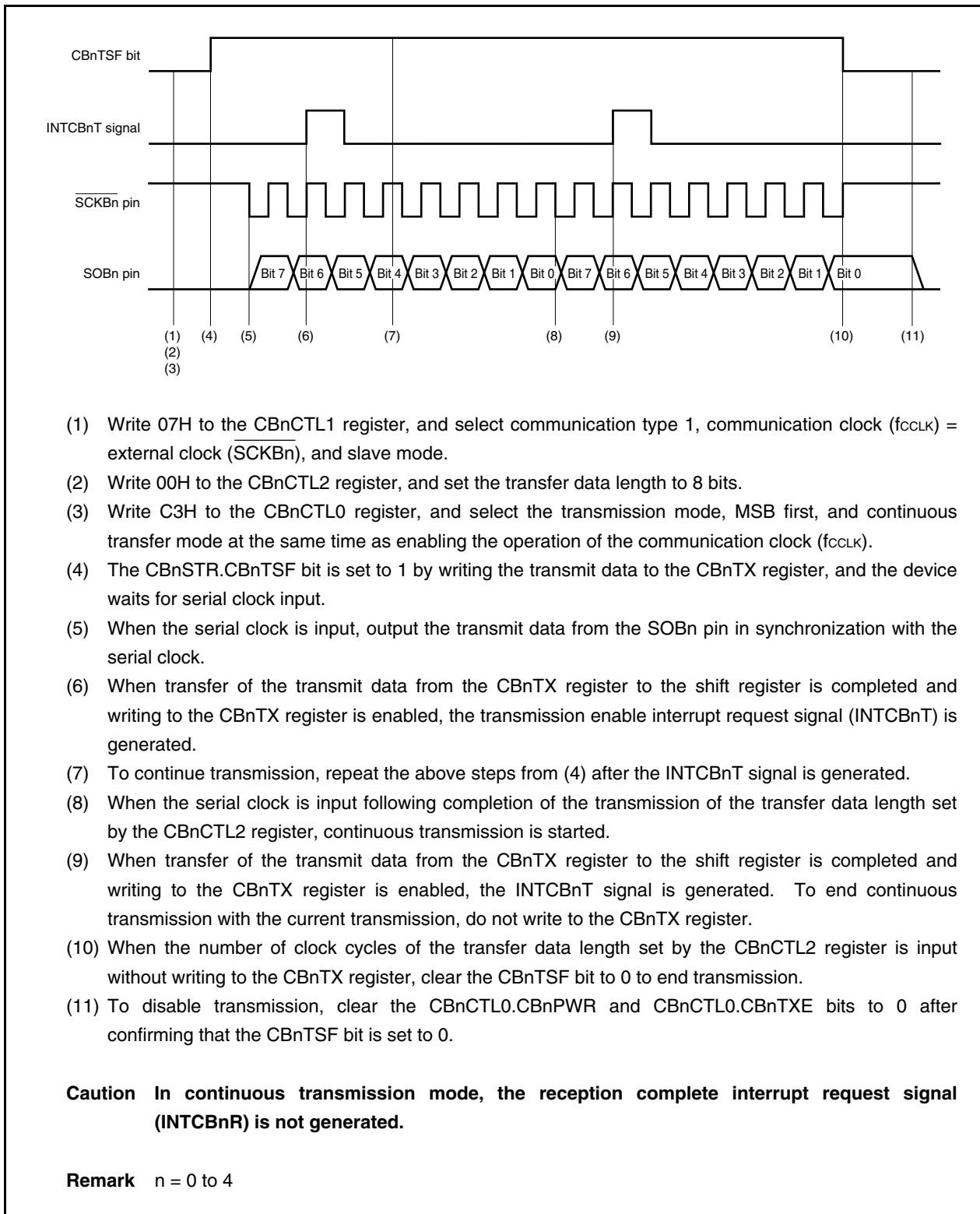


Figure 18-24. Continuous Transfer Mode Operation Timing (Slave Mode, Transmission Mode)

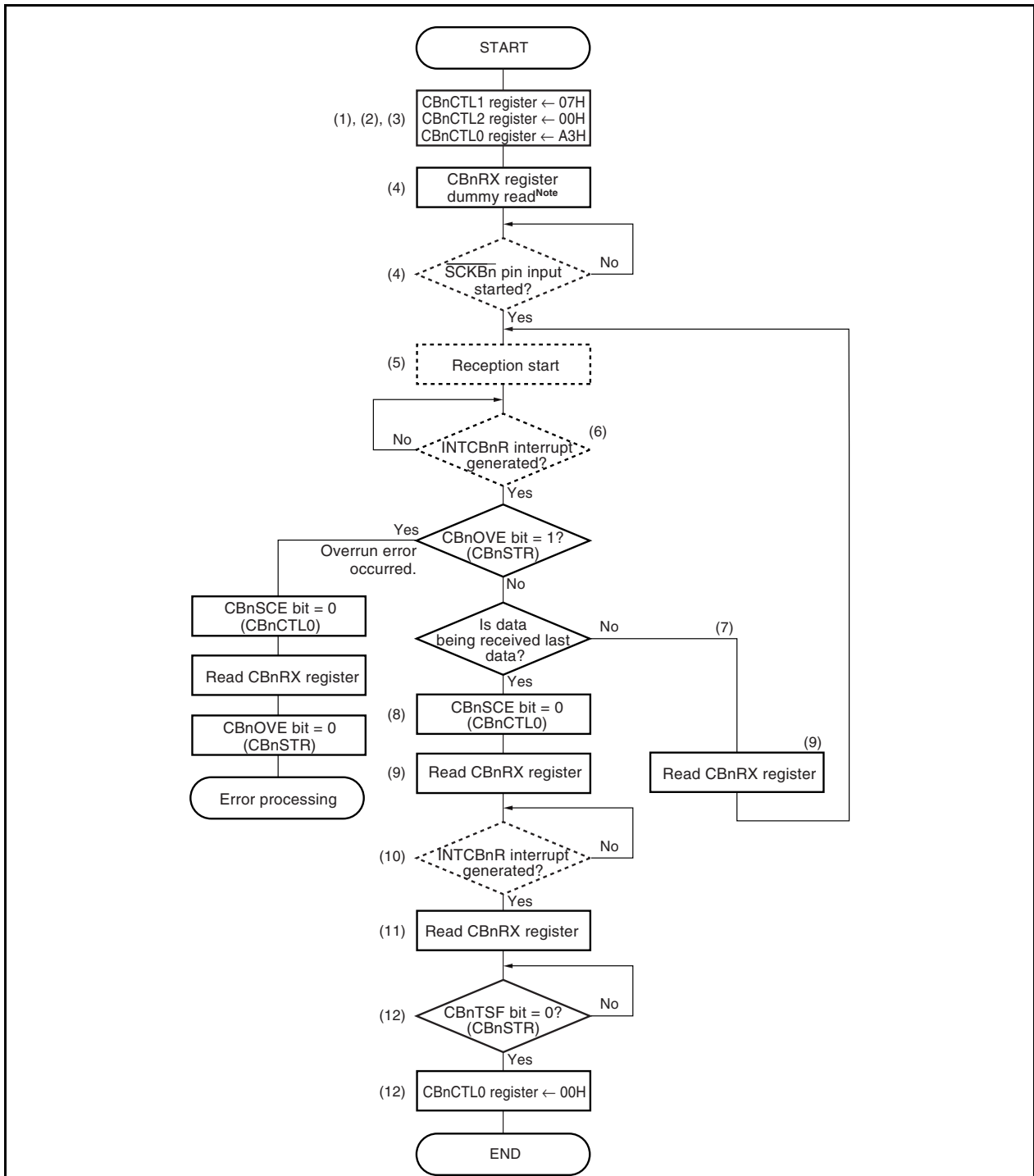
18.6.11 Continuous transfer mode (slave mode, reception mode)

MSB first (CBnCTL0.CBnDIR bit = 0), communication type 1 (CBnCTL1.CBnCKP and CBnCTL1.CBnDAP bits = 00), communication clock (f_{CCLK}) = external clock ($\overline{\text{SCKBn}}$) (CBnCTL1.CBnCKS2 to CBnCTL1.CBnCKS0 bits = 111), transfer data length = 8 bits (CBnCTL2.CBnCL3 to CBnCTL2.CBnCL0 bits = 0000)

The flowchart in Figure 18-25 shows the operation where the specified number of data items are received in the slave mode. Operations are repeated until all the specified data items are received. If an overrun error occurs, however, transfer ends. Perform error processing as necessary. For details about the overrun error, see **18.6.13 Reception errors**.

The operation timing in Figure 18-26 shows a case where no error occurred.

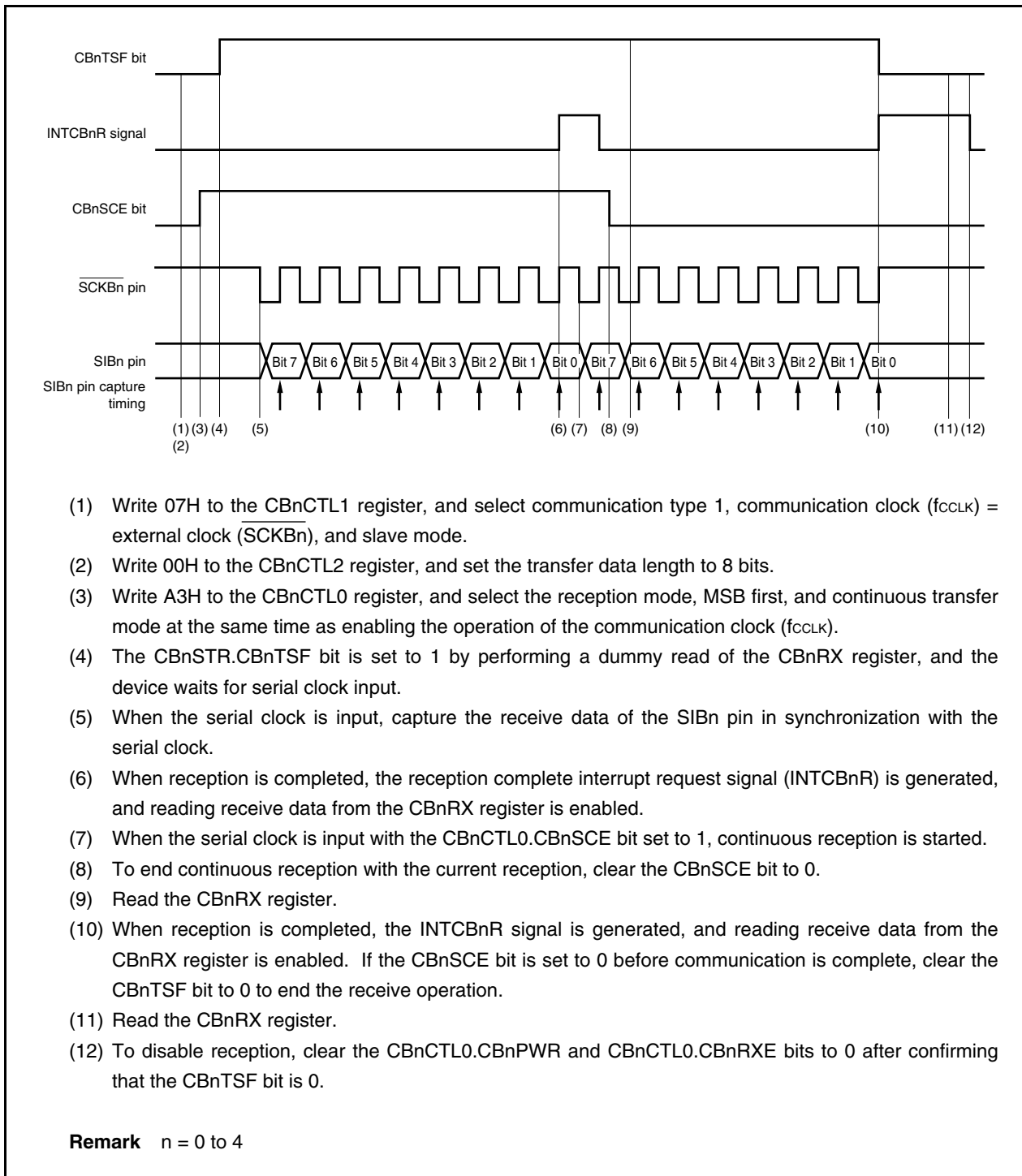
Figure 18-25. Continuous Transfer Mode Operation (Slave Mode, Reception Mode)



Note If the serial clock is input via the SCKBn pin of the master before a dummy-read of the CBnRX register is executed, data cannot be received normally. In this case, initialize both the master and the slave.

- Remarks**
1. The broken lines indicate the hardware processing.
 2. The numbers in this figure correspond to the processing numbers in **Figure 18-26**.
 3. n = 0 to 4

Figure 18-26. Continuous Transfer Mode Operation Timing (Slave Mode, Reception Mode)



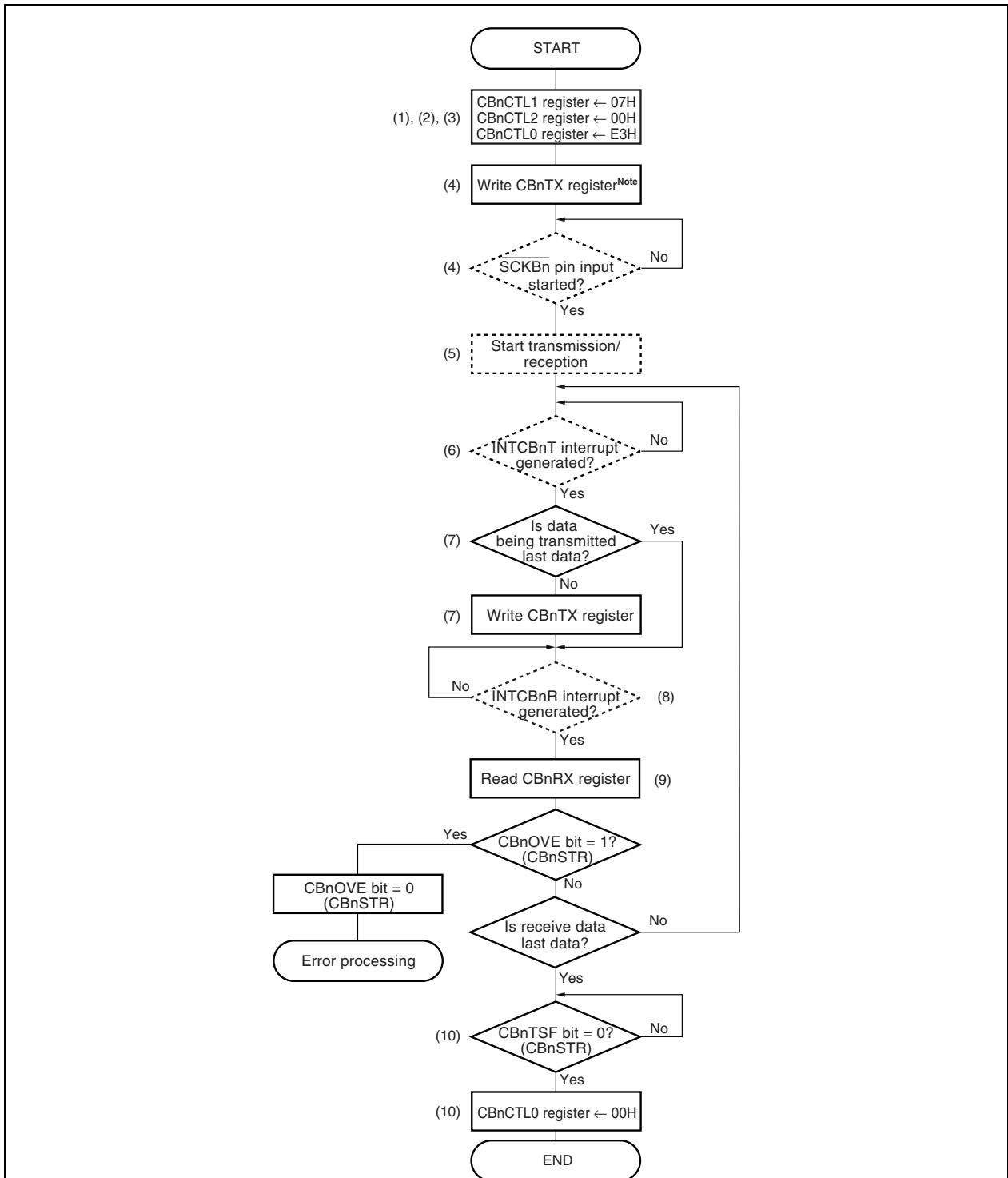
18.6.12 Continuous transfer mode (slave mode, transmission/reception mode)

MSB first (CBnCTL0.CBnDIR bit = 0), communication type 1 (CBnCTL1.CBnCKP and CBnCTL1.CBnDAP bits = 00), communication clock (f_{CLK}) = external clock ($\overline{\text{SCKBn}}$) (CBnCTL1.CBnCKS2 to CBnCTL1.CBnCKS0 bits = 111), transfer data length = 8 bits (CBnCTL2.CBnCL3 to CBnCTL2.CBnCL0 bits = 0000)

The flowchart in Figure 18-27 shows the operation where the specified number of transmit/receive data items are transmitted/received in the slave mode. Operations are repeated until all the specified data items are transmitted/received. If an overrun error occurs, however, transfer ends. Perform error processing as necessary. For details about the overrun error, see **18.6.13 Reception errors**.

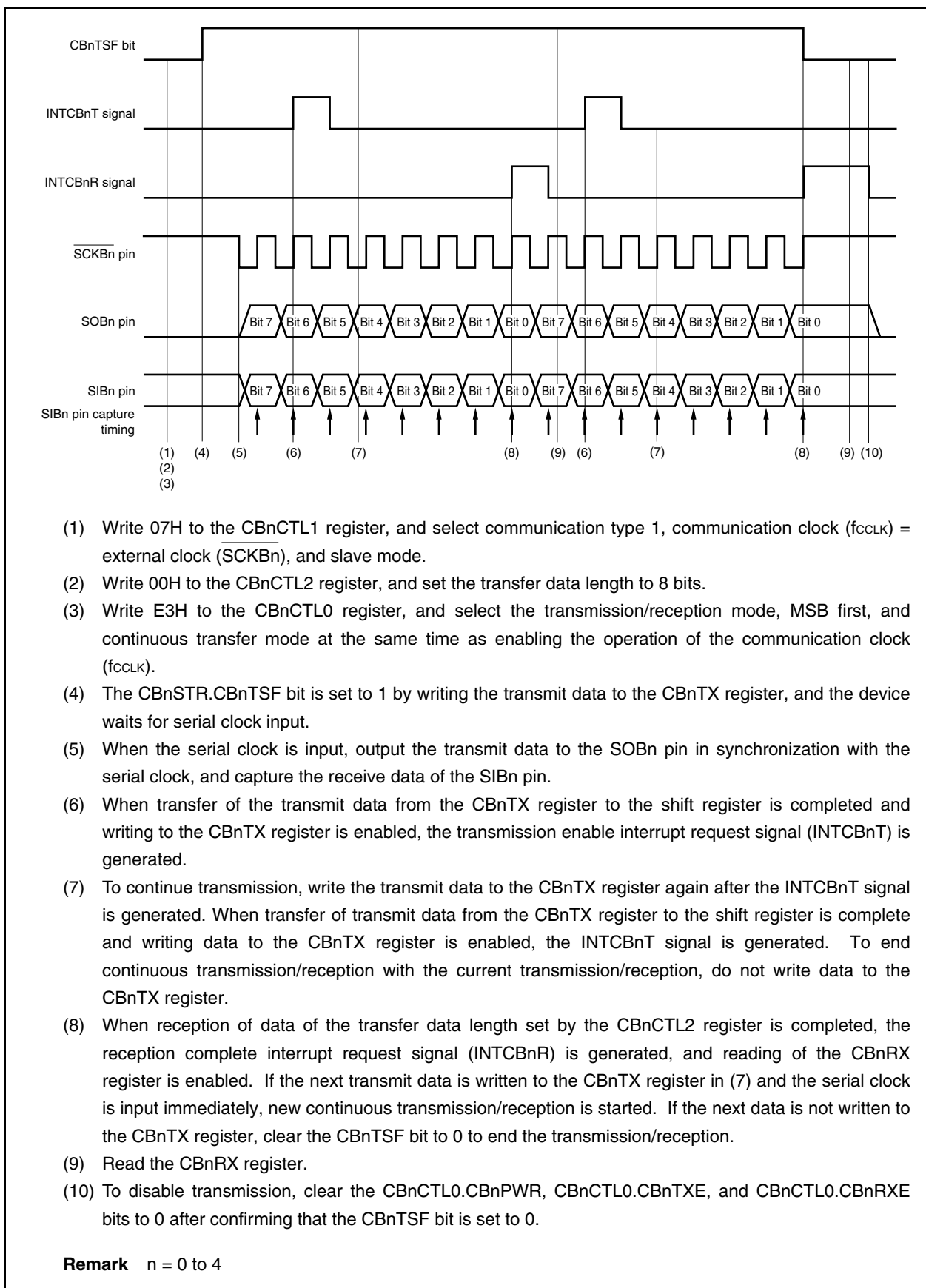
The operation timing in Figure 18-28 shows a case where no error occurred.

Figure 18-27. Continuous Transfer Mode Operation (Slave Mode, Transmission/Reception Mode)



Note If the serial clock is input via the \overline{SCKBn} pin of the master before the CBnTX register is written, data cannot be transmitted/received normally. In this case, initialize both the master and the slave.

- Remarks**
1. The broken lines indicate the hardware processing.
 2. The numbers in this figure correspond to the processing numbers in **Figure 18-28**.
 3. n = 0 to 4

Figure 18-28. Continuous Transfer Mode Operation Timing (Slave Mode, Transmission/Reception Mode)

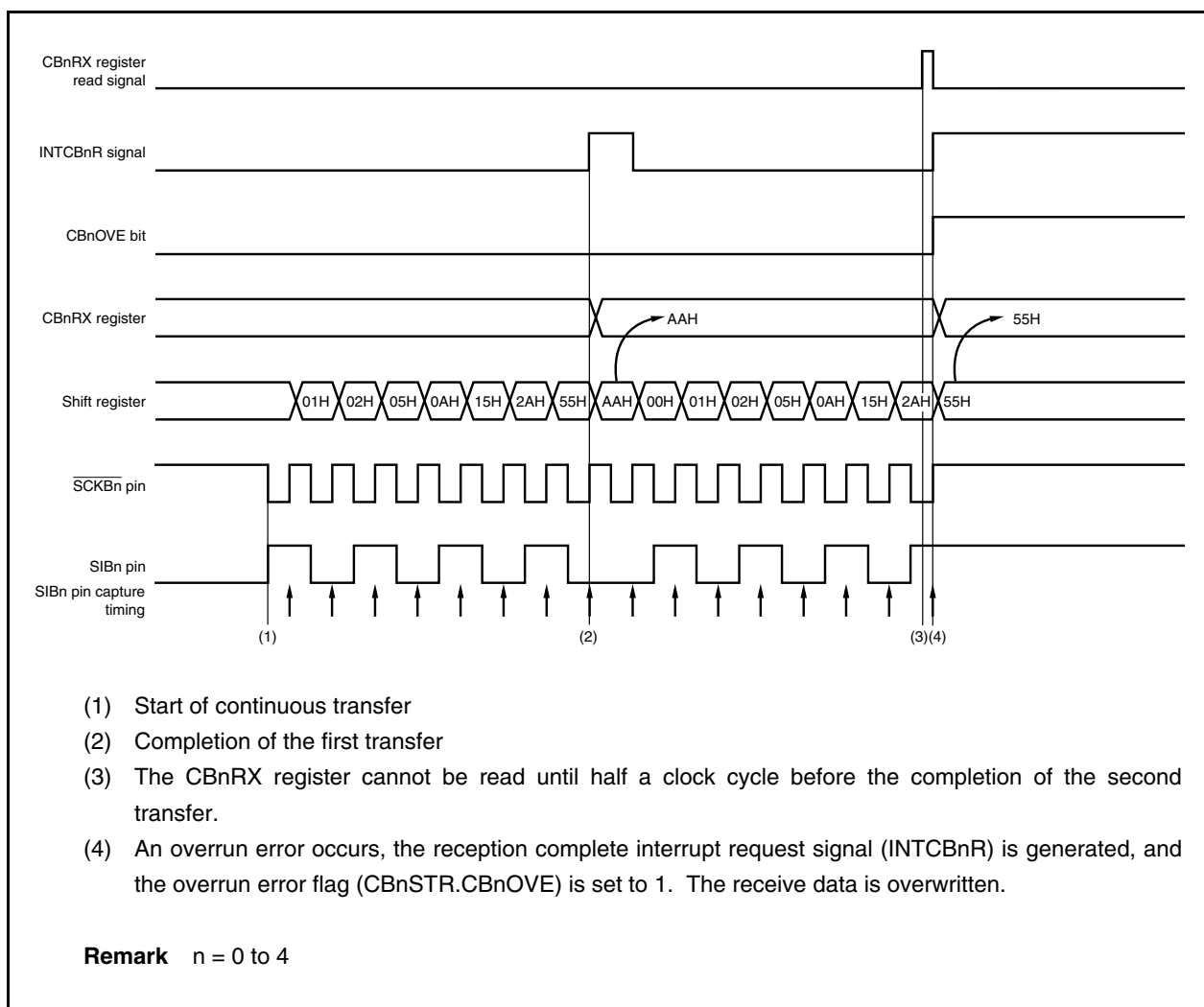
18.6.13 Reception errors

When transfer is performed with reception enabled (CBnCTL0.CBnRXE bit = 1) in the continuous transfer mode, the reception complete interrupt request signal (INTCBnR) is generated again if the next receive operation is completed before the CBnRX register is read after the INTCBnR signal is generated, and the overrun error flag (CBnSTR.CBnOVE) is set to 1.

If an overrun error occurs, the previous receive data is lost because the CBnRX register is updated. Even if a reception error occurs, the INTCBnR signal is generated again upon completion of the next reception if the CBnRX register is not read.

An overrun error occurs if reading the CBnRX register has not been completed half a clock cycle before the last bit of the next receive data is sampled after the INTCBnR signal is generated.

Figure 18-29. Overrun Error Timing



18.6.14 Clock timing

Figure 18-30. Clock Timing (1/2)

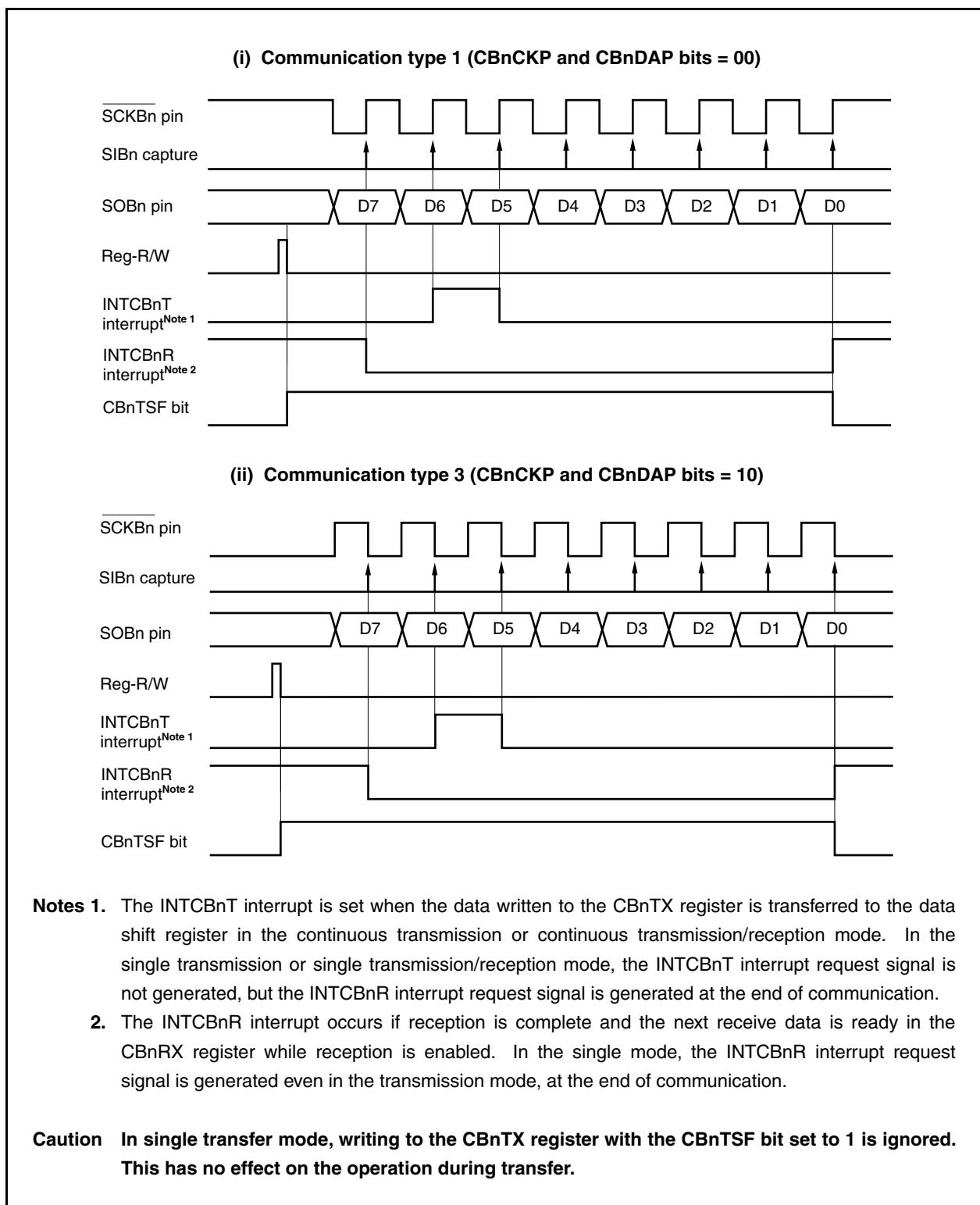
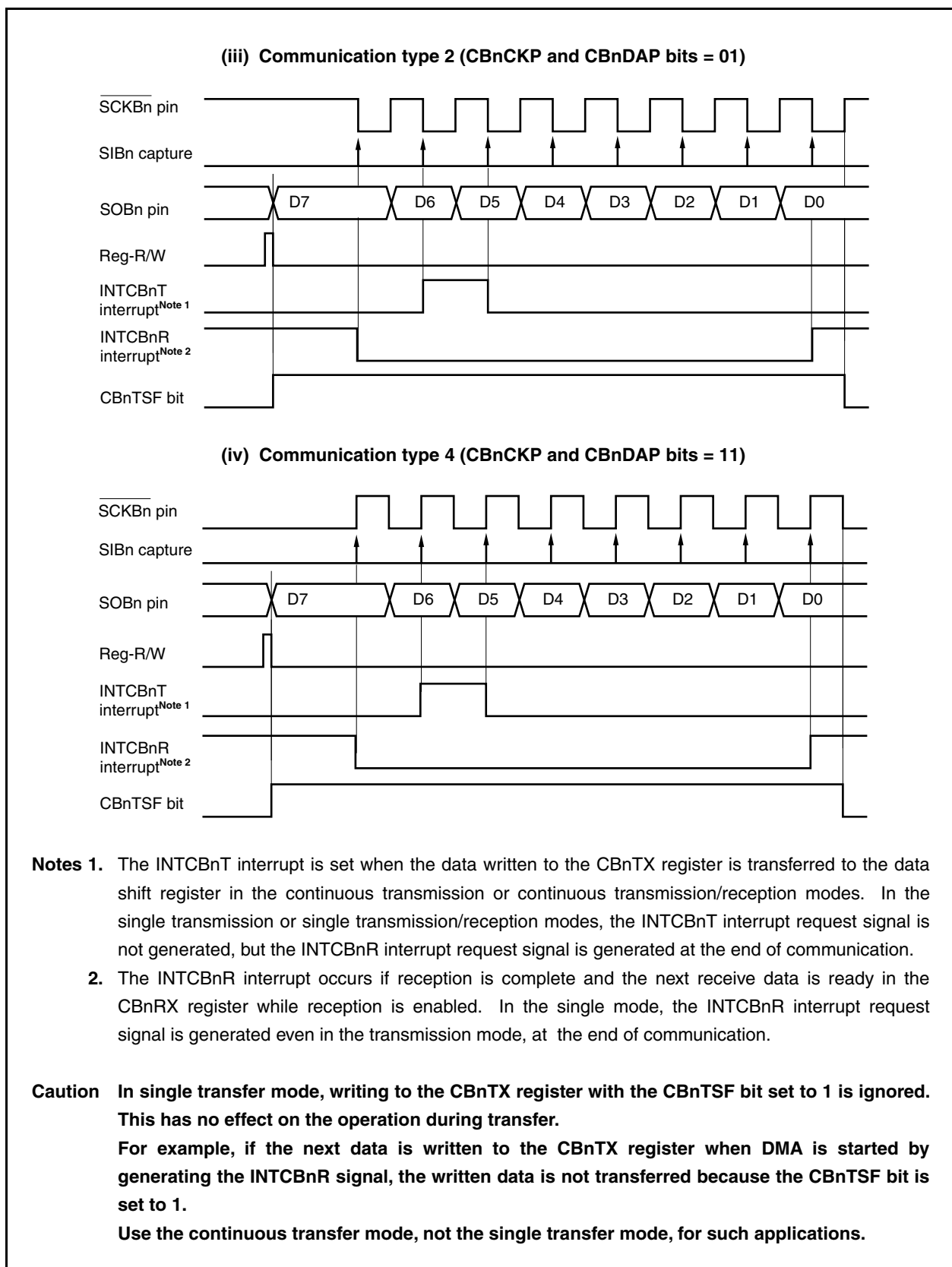


Figure 18-30. Clock Timing (2/2)



18.7 Output Pins

(1) $\overline{\text{SCKBn}}$ pin

When CSIBn is disabled (CBnCTL0.CBnPWR bit = 0), the $\overline{\text{SCKBn}}$ pin output status is as follows.

Table 18-4. $\overline{\text{SCKBn}}$ Pin Output Status with CSIBn Disabled

CBnCKP	CBnCKS2	CBnCKS1	CBnCKS0	$\overline{\text{SCKBn}}$ Pin Output
0	1	1	1	High impedance
	Other than above			High level
1	1	1	1	High impedance
	Other than above			Low level

Remarks 1. The output level of the $\overline{\text{SCKBn}}$ pin changes if any of the CBnCTL1.CBnCKP and CBnCKS2 to CBnCKS0 bits is rewritten.

2. n = 0 to 4

(2) SOBn pin

When CSIBn is disabled (CBnPWR bit = 0), the SOBn pin output status is as follows.

Table 18-5. SOBn Pin Output Status with CSIBn Disabled

CBnTXE	CBnDAP	CBnDIR	SOBn Pin Output
0	×	×	Low level
1	0	×	Low level
	1	0	CBnTX0 value (MSB)
		1	CBnTX0 value (LSB)

Remarks 1. The SOBn pin output changes when any one of the CBnCTL0.CBnTXE, CBnCTL0.CBnDIR, and CBnCTL1.CBnDAP bits is rewritten.

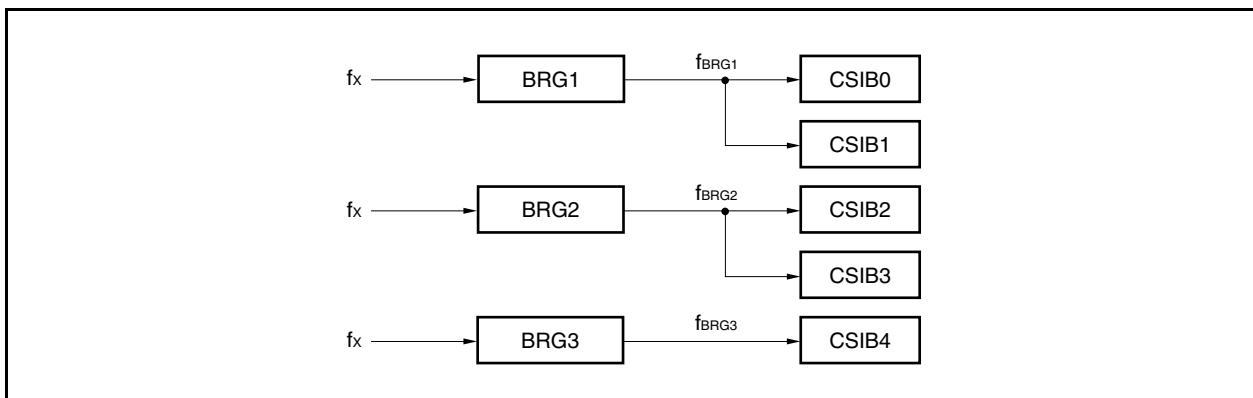
2. ×: Don't care

3. n = 0 to 4

18.8 Baud Rate Generator

The BRG1 to BRG3 and CSIB0 to CSIB4 baud rate generators are connected as shown in the following block diagram.

Figure 18-31. Baud Rate Generator Connection



(1) Prescaler mode registers 1 to 3 (PRSM1 to PRSM3)

The PRSM1 to PRSM3 registers control generation of the baud rate signal for CSIBn.

These registers can be read or written in 8-bit or 1-bit units.

Reset sets these registers to 00H.

After reset: 00H R/W Address: PRSM1 FFFFF320H, PRSM2 FFFFF324H, PRSM3 FFFFF328H

	7	6	5	<4>	3	2	1	0
PRSMm (m = 1 to 3)	0	0	0	BGCEm	0	0	BGCSm1	BGCSm0

BGCEm	Baud rate output
0	Disabled
1	Enabled

BGCSm1	BGCSm0	Input clock selection (f_{BGCSm})	Setting value (k)
0	0	f_{xx}	0
0	1	$f_{xx}/2$	1
1	0	$f_{xx}/4$	2
1	1	$f_{xx}/8$	3

Cautions

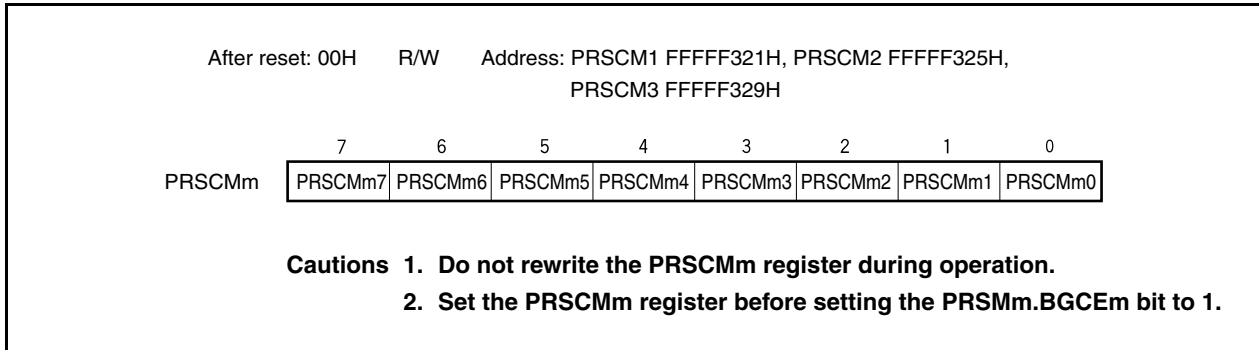
1. Do not rewrite the PRSMm register during operation.
2. Before setting the BGCEm bit to 1, set the BGCSm1 and BGCSm0 bits and prescaler compare registers 1 to 3 (PRSCM1 to PRSCM3).
3. Be sure to clear bits 7 to 5, 3 and 2 to "0".

(2) Prescaler compare registers 1 to 3 (PRSCM1 to PRSCM3)

The PRSCM1 to PRSCM3 registers are 8-bit compare registers.

These registers can be read or written in 8-bit units.

Reset sets these registers to 00H.

**18.8.1 Baud rate generation**

The transmission/reception clock is generated by dividing the main clock. The baud rate generated from the main clock is obtained by the following equation.

$$f_{BRGm} = \frac{f_{xx}}{2^{k+1} \times N}$$

Caution Set f_{BRGm} to 8 MHz or lower.

Remark f_{BRGm} : BRGm count clock

f_{xx} : Main clock oscillation frequency

k: PRSMm register setting value = 0 to 3

N: PRSCMm register setting value = 1 to 256

However, N = 256 only when PRSCMm register is set to 00H.

m = 1 to 3

18.9 Cautions

- (1) When transferring transmit data and receive data using DMA transfer, error processing cannot be performed even if an overrun error occurs during serial transfer. Check that the no overrun error has occurred by reading the CBnSTR.CBnOVE bit after DMA transfer is complete.
- (2) In regards to registers that are forbidden must not be rewritten during operations (when the CBnCTL0.CBnPWR bit is 1), if rewriting has been carried out by mistake, set the CBnCTL0.CBnPWR bit to 0 once, then initialize CSIBn.

The registers that must no be rewritten during operation are shown below.

- CBnCTL0 register: CBnTXE, CBnRXE, CBnDIR, CBnTMS bits
- CBnCTL1 register: CBnCKP, CBnDAP, CBnCKS2 to CBnCKS0 bits
- CBnCTL2 register: CBnCL3 to CBnCL0 bits

- (3) In communication type 2 or 4 (CBnCTL1.CBnDAP bit = 1), the CBnSTR.CBnTSF bit is cleared half a \overline{SCKBn} clock cycle after occurrence of a reception complete interrupt (INTCBnR).

In the single transfer mode, writing the next transmit data is ignored during communication (CBnTSF bit = 1), and the next communication is not started. Also if reception-only communication (CBnCTL0.CBnTXE bit = 0, CBnCTL0.CBnRXE bit = 1) is set, the next communication is not started even if the receive data is read during communication (CBnTSF bit = 1).

Therefore, when using the single transfer mode with communication type 2 or 4 (CBnDAP bit = 1), pay particular attention to the following.

- To start the next transmission, confirm that the CBnTSF bit is 0 and then write the transmit data to the CBnTX register.
- To perform the next reception continuously when reception-only communication (CBnTXE bit = 0, CBnRXE bit = 1) is set, confirm that the CBnTSF bit is 0 and then read the CBnRX register.

Or, use the continuous transfer mode instead of the single transfer mode. Use of the continuous transfer mode is recommended especially when using DMA.

- (4) The SIB1 and RXDC0 pins cannot be used at the same time. When using the pin for SIB1, stop UARTC0 reception. (clear the UC0CTL0.UC0RXE bit to 0.) When using the pin for RXDC0, stop CSIB1 reception. (clear the CB1CTL0.CB1RXE bit to 0.)

Remark n = 0 to 4

CHAPTER 19 I²C BUS

To use the I²C bus function, set the P38/SDA00, P39/SCL00, P40/SDA01, P41/SCL01, P90/SDA02, and P91/SCL02 pins as the serial transmit/receive data I/O pins (SDA00 to SDA02) and serial clock I/O pins (SCL00 to SCL02), and set them to N-ch open-drain output.

19.1 Mode Switching of I²C Bus and Other Serial Interfaces

19.1.1 UARTA2 and I²C00 mode switching

In the V850ES/JG3-L, UARTA2 and I²C00 share pins and therefore cannot be used simultaneously. Set the operation mode to I²C00 in advance, using the PMC3 and PFC3 registers.

Caution The transmit/receive operation of UARTA2 and I²C00 is not guaranteed if these functions are switched during transmission or reception. Be sure to disable the one that is not used.

Figure 19-1. Switching UARTA2 and I²C00 Mode

After reset: 0000H R/W Address: FFFFF446H, FFFFF447H

	15	14	13	12	11	10	9	8
PMC3	0	0	0	0	0	0	PMC39	PMC38
	7	6	5	4	3	2	1	0
	0	0	PMC35	PMC34	PMC33	PMC32	PMC31	PMC30

After reset: 0000H R/W Address: FFFFF466H, FFFFF467H

	15	14	13	12	11	10	9	8
PFC3	0	0	0	0	0	0	PFC39	PFC38
	7	6	5	4	3	2	1	0
	0	0	PFC35	PFC34	PFC33	PFC32	PFC31	PFC30

PMC3n	PFC3n	Operation mode
0	×	Port I/O mode
1	0	UARTA2 mode
1	1	I ² C00 mode

Remarks

1. n = 8, 9
2. × = don't care

19.1.2 CSIB0 and I²C01 mode switching

In the V850ES/JG3-L, CSIB0 and I²C01 share pins and therefore cannot be used simultaneously. Set the operation mode to I²C01 in advance, using the PMC4 and PFC4 registers.

Caution The transmit/receive operation of CSIB0 and I²C01 is not guaranteed if these functions are switched during transmission or reception. Be sure to disable the one that is not used.

Figure 19-2. Switching CSIB0 and I²C01 Mode

After reset: 00H		R/W	Address: FFFFF448H					
	7	6	5	4	3	2	1	0
PMC4	0	0	0	0	0	PMC42	PMC41	PMC40
After reset: 00H		R/W	Address: FFFFF468H					
	7	6	5	4	3	2	1	0
PFC4	0	0	0	0	0	0	PFC41	PFC40
	PMC4n	PFC4n	Operation mode					
	0	×	Port I/O mode					
	1	0	CSIB0 mode					
	1	1	I ² C01 mode					

Remarks

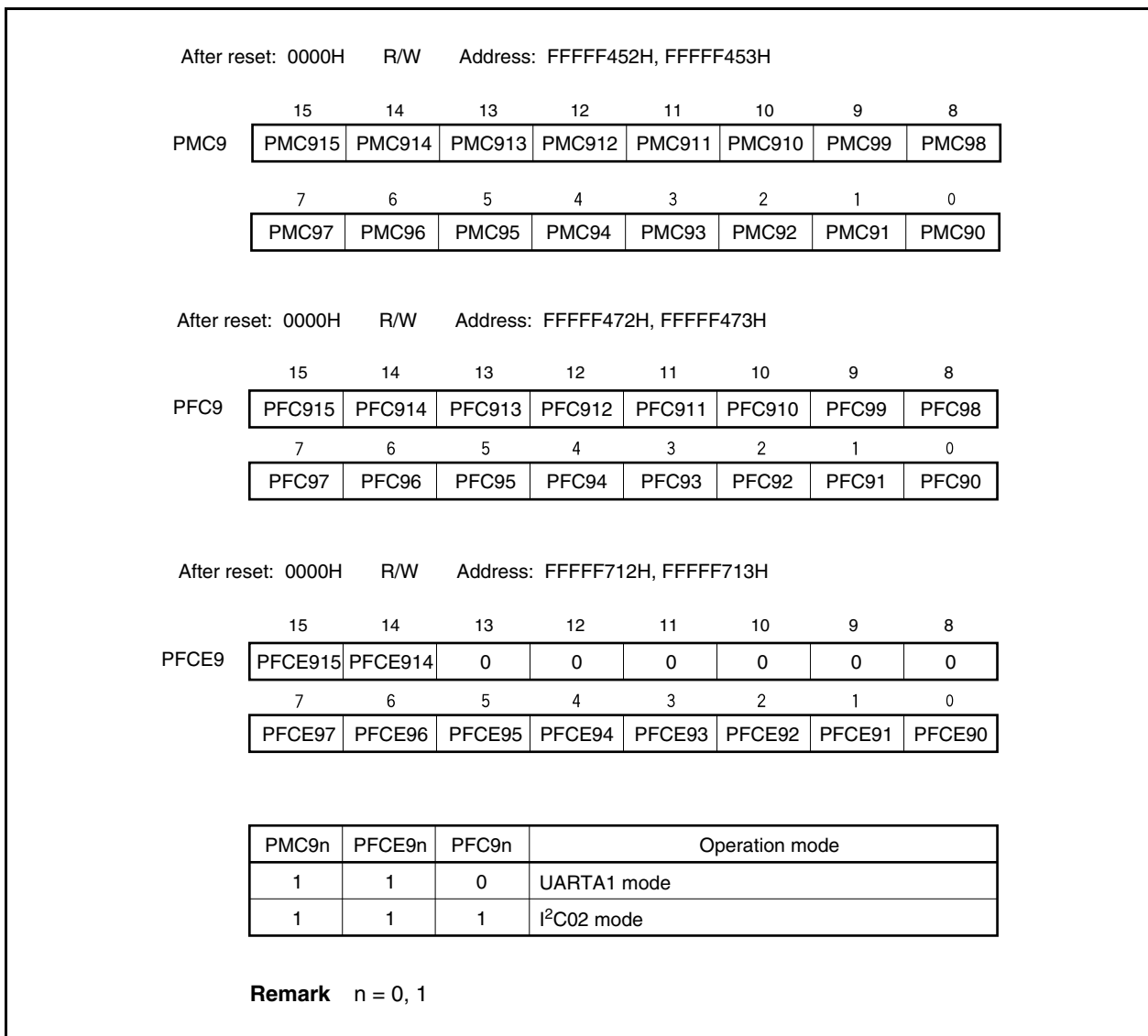
1. n = 0, 1
2. × = don't care

19.1.3 UARTA1 and I²C02 mode switching

In the V850ES/JG3-L, UARTA1 and I²C02 share pins and therefore cannot be used simultaneously. Set the operation mode to I²C02 in advance, using the PMC9, PFC9, and PFCE9 registers.

Caution The transmit/receive operation of UARTA1 and I²C02 is not guaranteed if these functions are switched during transmission or reception. Be sure to disable the one that is not used.

Figure 19-3. Switching UARTA1 and I²C02 Mode



19.2 Features

I²C00 to I²C02 have the following two modes.

- Operation stopped mode
- I²C (Inter IC) bus mode (multimasters supported)

(1) Operation stopped mode

In this mode, serial transfers are not performed, thus enabling a reduction in power consumption.

(2) I²C bus mode (multimaster support)

This mode is used for 8-bit data transfers with several devices via two lines: a serial clock pin (SCL0n) and a serial data bus pin (SDA0n).

This mode complies with the I²C bus format and the master device can generate “start condition”, “address”, “transfer direction specification”, “data”, and “stop condition” data to the slave device via the serial data bus. The slave device automatically detects the received statuses and data by hardware. This function can simplify the part of an application program that controls the I²C bus.

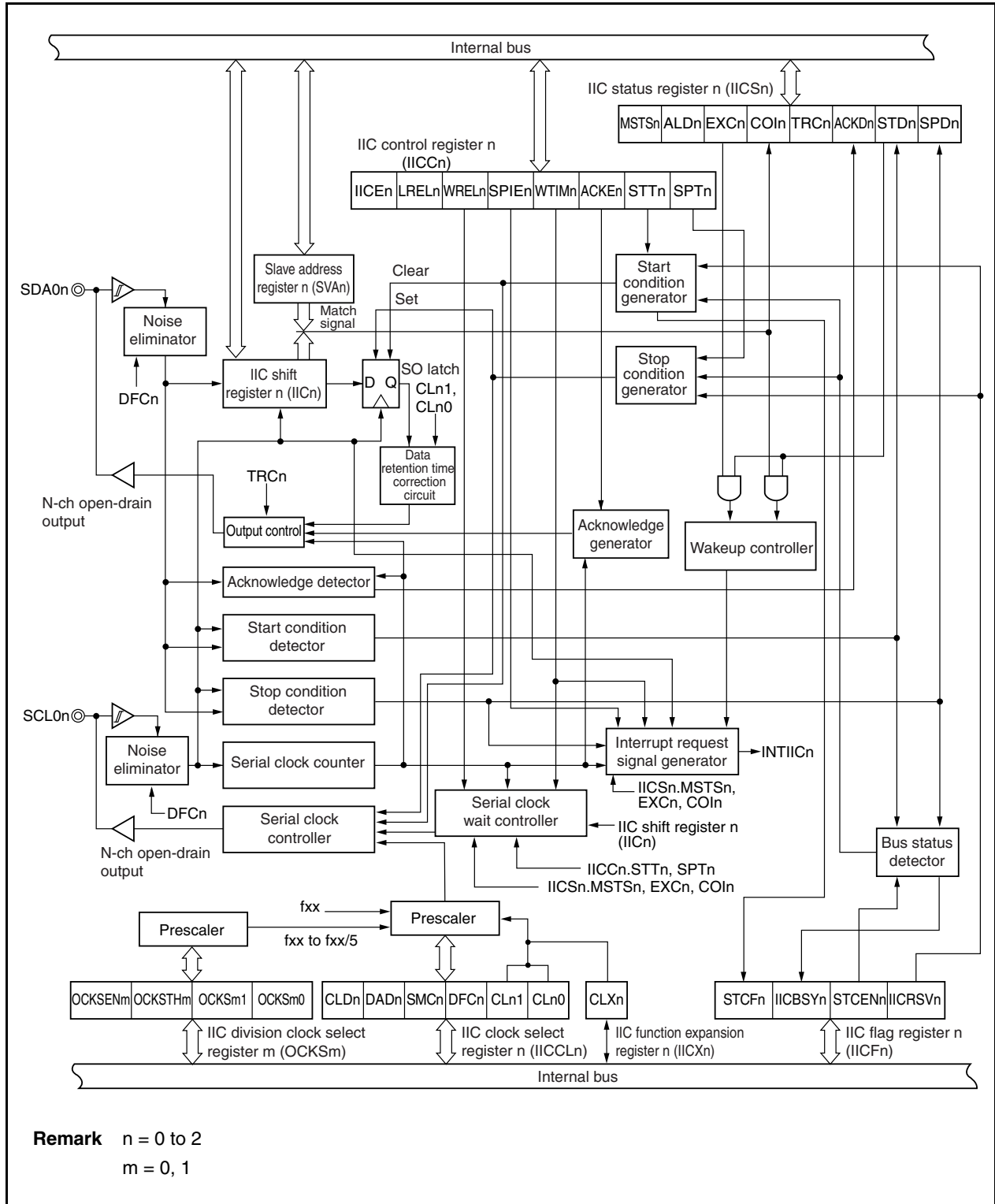
Since SCL0n and SDA0n pins are used for N-ch open-drain outputs, I²C0n requires pull-up resistors for the serial clock line and the serial data bus line.

Remark n = 0 to 2

19.3 Configuration

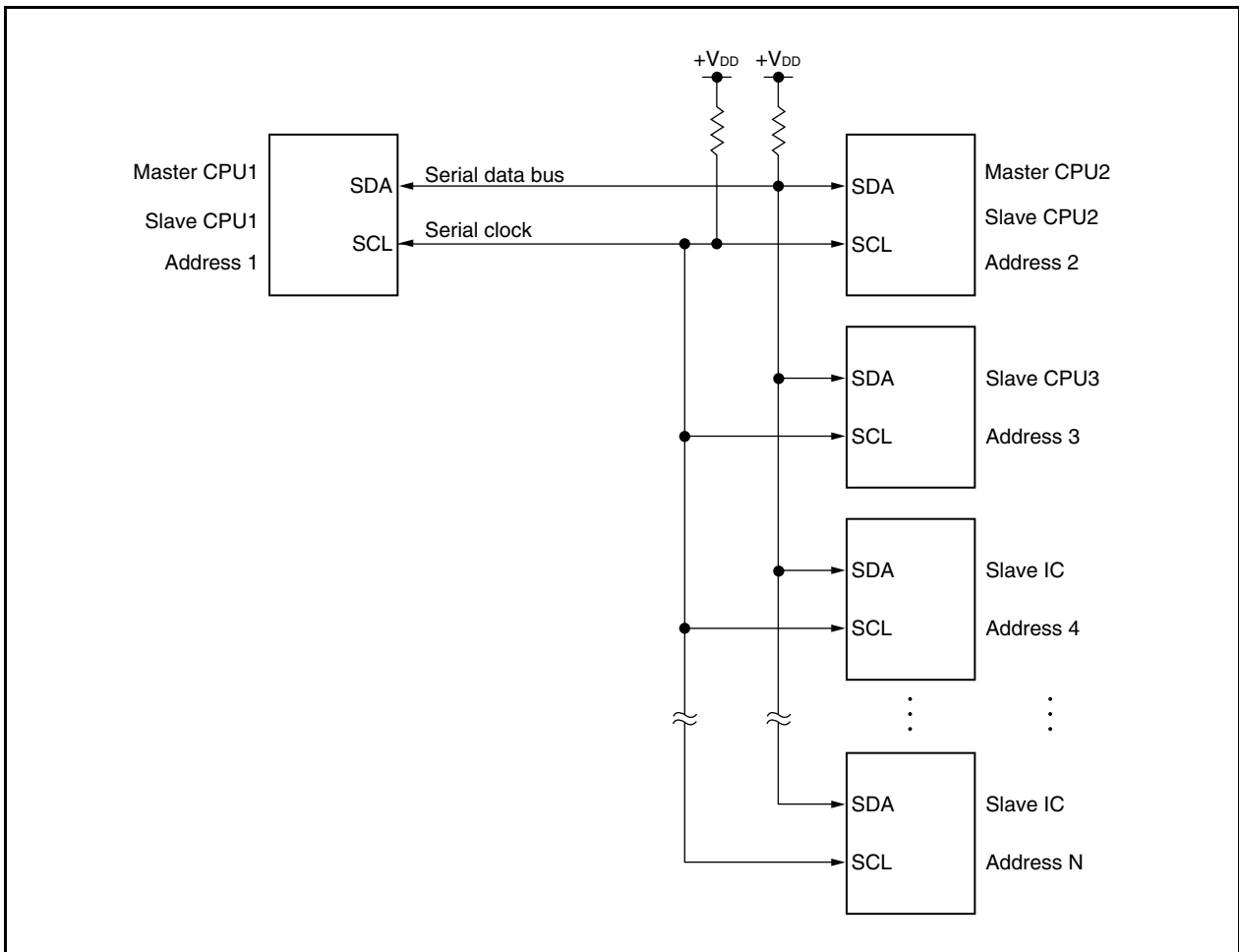
The block diagram of the I²C0n is shown below.

Figure 19-4. Block Diagram of I²C0n



A serial bus configuration example is shown below.

Figure 19-5. Serial Bus Configuration Example Using I²C Bus



I²C0n includes the following hardware (n = 0 to 2).

Table 19-1. Configuration of I²C0n

Item	Configuration
Registers	IIC shift register n (IICn) Slave address register n (SVAn)
Control registers	IIC control register n (IICCn) IIC status register n (IICSn) IIC flag register n (IICF0n) IIC clock select register n (IICCLn) IIC function expansion register n (IICXn) IIC division clock select registers 0, 1 (OCKS0, OCKS1)

(1) IIC shift register n (IICn)

The IICn register converts 8-bit serial data into 8-bit parallel data and vice versa, and can be used for both transmission and reception (n = 0 to 2).

Write and read operations to the IICn register are used to control the actual transmit and receive operations.

This register can be read or written in 8-bit units.

Reset sets this register to 00H.

(2) Slave address register n (SVAn)

The SVAn register sets local addresses when in slave mode (n = 0 to 2).

This register can be read or written in 8-bit units.

Reset sets this register to 00H.

(3) SO latch

The SO latch is used to retain the output level of the SDA0n pin (n = 0 to 2).

(4) Wakeup controller

This circuit generates an interrupt request signal (INTIICn) when the address received by this register matches the address value set to the SVAn register or when an extension code is received (n = 0 to 2).

(5) Prescaler

This selects the sampling clock to be used.

(6) Serial clock counter

This counter counts the serial clocks that are output and the serial clocks that are input during transmit/receive operations and is used to verify that 8-bit data was transmitted or received.

(7) Interrupt request signal generator

This circuit controls the generation of interrupt request signals (INTIICn).

An I²C interrupt is generated following either of two triggers.

- Falling edge of eighth or ninth clock of the serial clock (set by IICn.WTIMn bit)
- Interrupt occurrence due to stop condition detection (set by IICn.SPIEn bit)

Remark n = 0 to 2

(8) Serial clock controller

In master mode, this circuit generates the clock output via the SCL0n pin from the sampling clock (n = 0 to 2).

(9) Serial clock wait controller

This circuit controls the wait timing.

(10) $\overline{\text{ACK}}$ generator, stop condition detector, start condition detector, and $\overline{\text{ACK}}$ detector

These circuits are used to generate and detect various statuses.

(11) Data hold time correction circuit

This circuit generates the hold time for data corresponding to the falling edge of the SCL0n pin.

(12) Start condition generator

A start condition is generated when the IICn.STTn bit is set.

However, in the communication reservation disabled status (IICFn.IICRSVn bit = 1), this request is ignored and the IICFn.STCFn bit is set to 1 if the bus is not released (IICFn.IICBSYn bit = 1).

(13) Stop condition generator

A stop condition is generated when the IICn.SPTn bit is set.

(14) Bus status detector

Whether the bus is released or not is ascertained by detecting a start condition and stop condition.

However, the bus status cannot be detected immediately after operation, so set the bus status detector to the initial status by using the IICFn.STCENn bit.

19.4 Registers

I²C00 to I²C02 are controlled by the following registers.

- IIC control registers 0 to 2 (IICC0 to IICC2)
- IIC status registers 0 to 2 (IICS0 to IICS2)
- IIC flag registers 0 to 2 (IICF0 to IICF2)
- IIC clock select registers 0 to 2 (IICCL0 to IICCL2)
- IIC function expansion registers 0 to 2 (IICX0 to IICX2)
- IIC division clock select registers 0, 1 (OCKS0, OCKS1)

The following registers are also used.

- IIC shift registers 0 to 2 (IIC0 to IIC2)
- Slave address registers 0 to 2 (SVA0 to SVA2)

Remark For the alternate-function pin settings, see **Table 4-15 Settings When Pins Are Used for Alternate Functions**.

(1) IIC control registers 0 to 2 (IICC0 to IICC2)

The IICn register enables/stops I²Cn operations, sets the wait timing, and sets other I²C operations (n = 0 to 2).

These registers can be read or written in 8-bit or 1-bit units. However, set the SPIEn, WTIMn, and ACKEn bits when the IICEn bit is 0 or during the wait period. When setting the IICEn bit from “0” to “1”, these bits can also be set at the same time.

Reset sets these registers to 00H.

After reset: 00H R/W Address: IICC0 FFFFD82H, IICC1 FFFFD92H, IICC2 FFFFDFA2H

	<7>	<6>	<5>	<4>	<3>	<2>	<1>	<0>
IICn	IICEn	LRELn	WRELn	SPIEn	WTIMn	ACKEn	STTn	SPTn

(n = 0 to 2)

IICEn	Specification of I ² Cn operation enable/disable
0	Operation stopped. IICSn register reset ^{Note 1} . Internal operation stopped.
1	Operation enabled.
Be sure to set this bit to 1 when the SCL0n and SDA0n lines are high level.	
Condition for clearing (IICEn bit = 0)	
<ul style="list-style-type: none"> • Cleared by instruction • After reset 	Condition for setting (IICEn bit = 1)
<ul style="list-style-type: none"> • Set by instruction 	

LRELn ^{Note 2}	Exit from communications
0	Normal operation
1	This exits from the current communication operation and sets standby mode. This setting is automatically cleared after being executed. Its uses include cases in which a locally irrelevant extension code has been received. The SCL0n and SDA0n lines are set to high impedance. The STTn and SPTn bits and the MSTSn, EXCn, COIn, TRCn, ACKDn, and STDn bits of the IICSn register are cleared.
The standby mode following exit from communications remains in effect until the following communication entry conditions are met.	
<ul style="list-style-type: none"> • After a stop condition is detected, restart is in master mode. • An address match occurs or an extension code is received after the start condition. 	
Condition for clearing (LRELn bit = 0)	
<ul style="list-style-type: none"> • Automatically cleared after execution • After reset 	Condition for setting (LRELn bit = 1)
<ul style="list-style-type: none"> • Set by instruction 	

WRELn ^{Note 2}	Wait state cancellation control
0	Wait state not canceled
1	Wait state canceled. This setting is automatically cleared after wait state is canceled.
Condition for clearing (WRELn bit = 0)	
<ul style="list-style-type: none"> • Automatically cleared after execution • After reset 	Condition for setting (WRELn bit = 1)
<ul style="list-style-type: none"> • Set by instruction 	

- Notes**
1. The IICSn register, IICFn.STCFn and IICFn.IICBSYn bits, and IICCLn.CLDn and IICCLn.DADn bits are reset.
 2. This flag's signal is invalid when the IICEn bit = 0.

Caution If the I²Cn operation is enabled (IICEn bit = 1) when the SCL0n line is high level and the SDA0n line is low level, the start condition is detected immediately. To avoid this, after enabling the I²Cn operation, immediately set the LRELn bit to 1 with a bit manipulation instruction.

Remark The LRELn and WRELn bits are 0 when read after the data has been set.

(2/4)

SPIEn ^{Note}	Enable/disable generation of interrupt request when stop condition is detected	
0	Disabled	
1	Enabled	
Condition for clearing (SPIEn bit = 0)		Condition for setting (SPIEn bit = 1)
<ul style="list-style-type: none"> • Cleared by instruction • After reset 		<ul style="list-style-type: none"> • Set by instruction

WTIMn ^{Note}	Control of wait state and interrupt request generation	
0	Interrupt request is generated at the eighth clock's falling edge. Master mode: After output of eight clocks, clock output is set to low level and the wait state is set. Slave mode: After input of eight clocks, the clock is set to low level and the wait state is set for the master device.	
1	Interrupt request is generated at the ninth clock's falling edge. Master mode: After output of nine clocks, clock output is set to low level and the wait state is set. Slave mode: After input of nine clocks, the clock is set to low level and the wait state is set for the master device.	
During address transfer, an interrupt occurs at the falling edge of the ninth clock regardless of this bit setting. This bit setting becomes valid when the address transfer is completed. In master mode, a wait state is inserted at the falling edge of the ninth clock during address transfer. For a slave device that has received a local address, a wait state is inserted at the falling edge of the ninth clock after ACK is generated. When the slave device has received an extension code, however, a wait state is inserted at the falling edge of the eighth clock.		
Condition for clearing (WTIMn bit = 0)		Condition for setting (WTIMn bit = 1)
<ul style="list-style-type: none"> • Cleared by instruction • After reset 		<ul style="list-style-type: none"> • Set by instruction

ACKEn ^{Note}	Acknowledgment control	
0	Acknowledgment disabled.	
1	Acknowledgment enabled. During the ninth clock period, the SDA0n line is set to low level.	
The ACKEn bit setting is invalid for address reception by the slave device. In this case, $\overline{\text{ACK}}$ is generated when the addresses match. However, the ACKEn bit setting is valid for reception of the extension code. Set the ACKEn bit in the system that receives the extension code.		
Condition for clearing (ACKEn bit = 0)		Condition for setting (ACKEn bit = 1)
<ul style="list-style-type: none"> • Cleared by instruction • After reset 		<ul style="list-style-type: none"> • Set by instruction

Note This flag's signal is invalid when the IICEn bit = 0.

Remark n = 0 to 2

(3/4)

STTn	Start condition trigger	
0	Start condition is not generated.	
1	<p>When bus is released (in STOP mode): A start condition is generated (for starting as master). The SDA0n line is changed from high level to low level while the SCLn line is high level and then the start condition is generated. Next, after the rated amount of time has elapsed, the SCL0n line is changed to low level.</p> <p>During communication with a third party: If the communication reservation function is enabled (IICFn.IICRSVn bit = 0)</p> <ul style="list-style-type: none"> • This trigger functions as a start condition reserve flag. When set to 1, it releases the bus and then automatically generates a start condition. <p>If the communication reservation function is disabled (IICRSVn = 1)</p> <ul style="list-style-type: none"> • The IICFn.STCFn bit is set to 1 and information set (1) to the STTn bit is cleared. This trigger does not generate a start condition. <p>In the wait state (when master device): A restart condition is generated after the wait state is released.</p>	
<p>Cautions concerning set timing</p> <p>For master reception: Cannot be set to 1 during transfer. Can be set to 1 only when the ACKEn bit has been set to 0 and the slave has been notified of final reception.</p> <p>For master transmission: A start condition cannot be generated normally during the $\overline{\text{ACK}}$ period. Set to 1 during the wait period that follows output of the ninth clock.</p> <p>For slave: Even when the communication reservation function is disabled (IICRSVn bit = 1), the communication reservation status is entered.</p> <ul style="list-style-type: none"> • Setting to 1 at the same time as the SPTn bit is prohibited. • When the STTn bit is set to 1, setting the STTn bit to 1 again is disabled until the setting is cleared to 0. 		
Condition for clearing (STTn bit = 0)		Condition for setting (STTn bit = 1)
<ul style="list-style-type: none"> • When the STTn bit is set to 1 in the communication reservation disabled status • Cleared by loss in arbitration • Cleared after start condition is generated by master device • When the LRELn bit = 1 (communication save) • When the IICEn bit = 0 (operation stop) • After reset 		<ul style="list-style-type: none"> • Set by instruction

Remarks 1. The STTn bit is 0 if it is read immediately after data setting.
 2. n = 0 to 2

(4/4)

SPTn	Stop condition trigger				
0	Stop condition is not generated.				
1	Stop condition is generated (termination of master device's transfer). After the SDA0n line goes to low level, either set the SCL0n line to high level or wait until the SCL0n pin goes to high level. Next, after the rated amount of time has elapsed, the SDA0n line is changed from low level to high level and a stop condition is generated.				
<p>Cautions concerning set timing</p> <p>For master reception: Cannot be set to 1 during transfer. Can be set to 1 only when the ACKEn bit has been set to 0 and during the wait period after the slave has been notified of final reception.</p> <p>For master transmission: A stop condition cannot be generated normally during the $\overline{\text{ACK}}$ reception period. Set to 1 during the wait period that follows output of the ninth clock.</p> <ul style="list-style-type: none"> • Cannot be set to 1 at the same time as the STTn bit. • The SPTn bit can be set to 1 only when in master mode^{Note}. • When the WTIMn bit has been set to 0, if the SPTn bit is set to 1 during the wait period that follows output of eight clocks, note that a stop condition will be generated during the high-level period of the ninth clock. The WTIMn bit should be changed from 0 to 1 during the wait period following output of eight clocks, and the SPTn bit should be set to 1 during the wait period that follows output of the ninth clock. • When the SPTn bit is set to 1, setting the SPTn bit to 1 again is disabled until the setting is cleared to 0. 					
<table border="1"> <thead> <tr> <th>Condition for clearing (SPTn bit = 0)</th> <th>Condition for setting (SPTn bit = 1)</th> </tr> </thead> <tbody> <tr> <td> <ul style="list-style-type: none"> • Cleared by loss in arbitration • Automatically cleared after stop condition is detected • When the LRELn bit = 1 (communication save) • When the IICEn bit = 0 (operation stop) • After reset </td> <td> <ul style="list-style-type: none"> • Set by instruction </td> </tr> </tbody> </table>		Condition for clearing (SPTn bit = 0)	Condition for setting (SPTn bit = 1)	<ul style="list-style-type: none"> • Cleared by loss in arbitration • Automatically cleared after stop condition is detected • When the LRELn bit = 1 (communication save) • When the IICEn bit = 0 (operation stop) • After reset 	<ul style="list-style-type: none"> • Set by instruction
Condition for clearing (SPTn bit = 0)	Condition for setting (SPTn bit = 1)				
<ul style="list-style-type: none"> • Cleared by loss in arbitration • Automatically cleared after stop condition is detected • When the LRELn bit = 1 (communication save) • When the IICEn bit = 0 (operation stop) • After reset 	<ul style="list-style-type: none"> • Set by instruction 				

Note Set the SPTn bit to 1 only in master mode. However, when the IICRSVn bit is 0, the SPTn bit must be set to 1 and a stop condition generated before the first stop condition is detected following the switch to the operation enabled status. For details, see **19.15 Cautions**.

Caution When the TRCn bit = 1, the WRELn bit is set to 1 during the ninth clock and the wait state is canceled, after which the TRCn bit is cleared to 0 and the SDA0n line is set to high impedance.

Remarks

1. The SPTn bit is 0 if it is read immediately after data setting.
2. n = 0 to 2

(2) IIC status registers 0 to 2 (IICS0 to IICS2)

The IICS_n register indicates the status of I²C0_n (n = 0 to 2).

These registers are read-only, in 8-bit or 1-bit units. However, the IICS_n register can only be read when the IIC_n.STT_n bit is 1 or during the wait period.

Reset sets these registers to 00H.

Caution Accessing the IICS_n register is prohibited in the following statuses. For details, see 3.4.9 (1) Accessing special on-chip peripheral I/O registers.

- When the CPU operates on the subclock and main clock oscillation is stopped
- When the CPU operates on the internal oscillator clock

(1/3)

After reset: 00H	R	Address: IICS0 FFFFD86H, IICS1 FFFFD96H, IICS2 FFFFDA6H						
IICS _n	<7>	<6>	<5>	<4>	<3>	<2>	<1>	<0>
	MSTS _n	ALD _n	EXC _n	COL _n	TRC _n	ACKD _n	STD _n	SPD _n
(n = 0 to 2)								
MSTS _n	Master device status							
0	Slave device status or communication standby status							
1	Master device communication status							
Condition for clearing (MSTS _n bit = 0)					Condition for setting (MSTS _n bit = 1)			
<ul style="list-style-type: none"> • When a stop condition is detected • When the ALD_n bit = 1 (arbitration loss) • Cleared by LREL_n bit = 1 (communication save) • When the IICEn bit changes from 1 to 0 (operation stop) • After reset 					<ul style="list-style-type: none"> • When a start condition is generated 			
ALD _n	Arbitration loss detection							
0	This status means either that there was no arbitration or that the arbitration result was a “win”.							
1	This status indicates the arbitration result was a “loss”. The MSTS _n bit is cleared to 0.							
Condition for clearing (ALD _n bit = 0)					Condition for setting (ALD _n bit = 1)			
<ul style="list-style-type: none"> • Automatically cleared after the IICS_n register is read^{Note} • When the IICEn bit changes from 1 to 0 (operation stop) • After reset 					<ul style="list-style-type: none"> • When the arbitration result is a “loss”. 			
EXC _n	Detection of extension code reception							
0	Extension code was not received.							
1	Extension code was received.							
Condition for clearing (EXC _n bit = 0)					Condition for setting (EXC _n bit = 1)			
<ul style="list-style-type: none"> • When a start condition is detected • When a stop condition is detected • Cleared by LREL_n bit = 1 (communication save) • When the IICEn bit changes from 1 to 0 (operation stop) • After reset 					<ul style="list-style-type: none"> • When the higher four bits of the received address data are either “0000” or “1111” (set at the rising edge of the eighth clock). 			
<p>Note This bit is also cleared when a bit manipulation instruction is executed for another bit in the IICS_n register.</p>								

(2/3)

COIn	Matching address detection	
0	Addresses do not match.	
1	Addresses match.	
Condition for clearing (COIn bit = 0)		Condition for setting (COIn bit = 1)
<ul style="list-style-type: none"> • When a start condition is detected • When a stop condition is detected • Cleared by LRELn bit = 1 (communication save) • When the IICEn bit changes from 1 to 0 (operation stop) • After reset 		<ul style="list-style-type: none"> • When the received address matches the local address (SVAn register) (set at the rising edge of the eighth clock).

TRCn	Transmit/receive status detection	
0	Receive status (other than transmit status). The SDA0n line is set to high impedance.	
1	Transmit status. The value in the SO latch is enabled for output to the SDA0n line (valid starting at the falling edge of the first byte's ninth clock).	
Condition for clearing (TRCn bit = 0)		Condition for setting (TRCn bit = 1)
<ul style="list-style-type: none"> • When a stop condition is detected • Cleared by LRELn bit = 1 (communication save) • When the IICEn bit changes from 1 to 0 (operation stop) • Cleared by IICn.WRELn bit = 1^{Note} • When the ALDn bit changes from 0 to 1 (arbitration loss) • After reset <p>Master</p> <ul style="list-style-type: none"> • When "1" is output to the first byte's LSB (transfer direction specification bit) <p>Slave</p> <ul style="list-style-type: none"> • When a start condition is detected <p>When not used for communication</p>		<p>Master</p> <ul style="list-style-type: none"> • When a start condition is generated • When "0" is output to the first byte's LSB (transfer direction specification bit) <p>Slave</p> <ul style="list-style-type: none"> • When "1" is input by the first byte's LSB (transfer direction specification bit)

ACKDn	$\overline{\text{ACK}}$ detection	
0	$\overline{\text{ACK}}$ was not detected.	
1	$\overline{\text{ACK}}$ was detected.	
Condition for clearing (ACKDn bit = 0)		Condition for setting (ACKD bit = 1)
<ul style="list-style-type: none"> • When a stop condition is detected • At the rising edge of the next byte's first clock • Cleared by LRELn bit = 1 (communication save) • When the IICEn bit changes from 1 to 0 (operation stop) • After reset 		<ul style="list-style-type: none"> • After the SDA0n bit is set to low level at the rising edge of the SCL0n pin's ninth clock

Note The TRCn bit is cleared to 0 and SDA0n line becomes high impedance when the WRELn bit is set to 1 and the wait state is canceled to 0 at the ninth clock by TRCn bit = 1.

Remark n = 0 to 2

(3/3)

STDn	Start condition detection	
0	Start condition was not detected.	
1	Start condition was detected. This indicates that the address transfer period is in effect	
	Condition for clearing (STDn bit = 0)	Condition for setting (STDn bit = 1)
	<ul style="list-style-type: none"> • When a stop condition is detected • At the rising edge of the next byte's first clock following address transfer • Cleared by LRELn bit = 1 (communication save) • When the IICEn bit changes from 1 to 0 (operation stop) • After reset 	<ul style="list-style-type: none"> • When a start condition is detected

SPDn	Stop condition detection	
0	Stop condition was not detected.	
1	Stop condition was detected. The master device's communication is terminated and the bus is released.	
	Condition for clearing (SPDn bit = 0)	Condition for setting (SPDn bit = 1)
	<ul style="list-style-type: none"> • At the rising edge of the address transfer byte's first clock following setting of this bit and detection of a start condition • When the IICEn bit changes from 1 to 0 (operation stop) • After reset 	<ul style="list-style-type: none"> • When a stop condition is detected

Remark n = 0 to 2

(3) IIC flag registers 0 to 2 (IICF0 to IICF2)

The IICFn register sets the I²C0n operation mode and indicates the I²C bus status.

These registers can be read or written in 8-bit or 1-bit units. However, the STCFn and IICBSYn bits are read-only.

IICRSVn enables/disables the communication reservation function (see **19.14 Communication Reservation**).

The initial value of the IICBSYn bit is set by using the STCENn bit (see **19.15 Cautions**).

The IICRSVn and STCENn bits can be written only when operation of I²C0n is disabled (IICn.IICEn bit = 0). After operation is enabled, IICFn can be read (n = 0 to 2).

Reset sets these registers to 00H.

After reset: 00H R/W^{Note} Address: IICF0 FFFFFFFD8AH, IICF1 FFFFFFFD9AH, IICF2 FFFFFFFDAAH

	<7>	<6>	5	4	3	2	<1>	<0>
IICFn	STCFn	IICBSYn	0	0	0	0	STCENn	IICRSVn

(n = 0 to 2)

STCFn	STTn bit clear	
0	Start condition issued	
1	Start condition cannot be issued, STTn bit cleared	
Condition for clearing (STCFn bit = 0)		Condition for setting (STCFn bit = 1)
<ul style="list-style-type: none"> • Cleared by IICn.STTn bit = 1 • When the IICn.IICEn bit = 0 • After reset 		<ul style="list-style-type: none"> • When start condition is not issued and STTn flag is cleared to 0 during communication reservation is disabled (IICRSVn bit = 1).

IICBSYn	I ² C0n bus status	
0	Bus released status (default communication status when STCENn bit = 1)	
1	Bus communication status (default communication status when STCENn bit = 0)	
Condition for clearing (IICBSYn bit = 0)		Condition for setting (IICBSYn bit = 1)
<ul style="list-style-type: none"> • When stop condition is detected • When the IICEn bit = 0 • After reset 		<ul style="list-style-type: none"> • When start condition is detected • By setting the IICEn bit when the STCENn bit = 0

STCENn	Initial start enable trigger	
0	Start conditions cannot be generated until a stop condition is detected following operation enable (IICEn bit = 1).	
1	Start conditions can be generated even if a stop condition is not detected following operation enable (IICEn bit = 1).	
Condition for clearing (STCENn bit = 0)		Condition for setting (STCENn bit = 1)
<ul style="list-style-type: none"> • When start condition is detected • After reset 		<ul style="list-style-type: none"> • Setting by instruction

IICRSVn	Communication reservation function disable bit	
0	Communication reservation enabled	
1	Communication reservation disabled	
Condition for clearing (IICRSVn bit = 0)		Condition for setting (IICRSVn bit = 1)
<ul style="list-style-type: none"> • Clearing by instruction • After reset 		<ul style="list-style-type: none"> • Setting by instruction

Note Bits 6 and 7 are read-only bits.

- Cautions**
1. Write the STCENn bit only when operation is stopped (IICEn bit = 0).
 2. When the STCENn bit = 1, the bus released status (IICBSYn bit = 0) is recognized regardless of the actual bus status immediately after the I²Cn bus operation is enabled. Therefore, to issue the first start condition (STTn bit = 1), it is necessary to confirm that the bus has been released, so as to not disturb other communications.
 3. Write the IICRSVn bit only when operation is stopped (IICEn bit = 0).

(4) IIC clock select registers 0 to 2 (IICCL0 to IICCL2)

The IICCLn register sets the transfer clock for I²C0n.

These registers can be read or written in 8-bit or 1-bit units. However, the CLDn and DADn bits are read-only.

Set the IICCLn register when the IICCN.IICEn bit = 0.

The SMCn, CLn1, and CLn0 bits are set by the combination of the IICXn.CLXn bit and the OCKSTHm, OCKSm1, and OCKSm0 bits of the OCKSm register (see 19.4 (6) I²C0n transfer clock setting method) (n = 0 to 2, m = 0, 1).

Reset sets these registers to 00H.

After reset: 00H R/W^{Note} Address: IICCL0 FFFFFFFD84H, IICCL1 FFFFFFFD94H, IICCL2 FFFFFFFDA4H

	7	6	<5>	<4>	3	2	1	0
IICCLn	0	0	CLDn	DADn	SMCn	DFCn	CLn1	CLn0

(n = 0 to 2)

CLDn	Detection of SCL0n pin level (valid only when IICCN.IICEn bit = 1)
0	The SCL0n pin was detected at low level.
1	The SCL0n pin was detected at high level.
Condition for clearing (CLDn bit = 0)	
<ul style="list-style-type: none"> • When the SCL0n pin is at low level • When the IICEn bit = 0 (operation stop) • After reset 	
Condition for setting (CLDn bit = 1)	
<ul style="list-style-type: none"> • When the SCL0n pin is at high level 	

DADn	Detection of SDA0n pin level (valid only when IICEn bit = 1)
0	The SDA0n pin was detected at low level.
1	The SDA0n pin was detected at high level.
Condition for clearing (DADn bit = 0)	
<ul style="list-style-type: none"> • When the SDA0n pin is at low level • When the IICEn bit = 0 (operation stop) • After reset 	
Condition for setting (DADn bit = 1)	
<ul style="list-style-type: none"> • When the SDA0n pin is at high level 	

SMCn	Operation mode switching
0	Operation in standard mode
1	Operation in high-speed mode

DFCn	Digital filter operation control
0	Digital filter off
1	Digital filter on
<p>The digital filter can be used only in high-speed mode. In high-speed mode, the transfer clock does not vary regardless of the DFCn bit setting (on/off). The digital filter is used to eliminate noise in high-speed mode.</p>	

Note Bits 4 and 5 are read-only bits.

Caution Be sure to clear bits 7 and 6 to “0”.

Remark When the IICCN.IICEn bit = 0, 0 is read when reading the CLDn and DADn bits.

(5) IIC function expansion registers 0 to 2 (IICX0 to IICX2)

The IICXn register sets I²C0n function expansion (valid only in the high-speed mode).

These registers can be read or written in 8-bit or 1-bit units.

Setting of the CLXn bit is performed in combination with the SMCn, CLn1, and CLn0 bits of the IICCLn register and the OCKSTHm, OCKSm1, and OCKSm0 bits of the OCKSm register (see **19.4 (6) I²C0n transfer clock setting method**) (m = 0, 1).

Set the IICXn register when the IICCN.IICEn bit = 0.

Reset sets these registers to 00H.

After reset: 00H	R/W	Address: IICX0 FFFFD85H, IICX1 FFFFD95H, IICX2 FFFFD5H						
IICXn	7	6	5	4	3	2	1	<0>
	0	0	0	0	0	0	0	CLXn
(n = 0 to 2)								

(6) I²C0n transfer clock setting method

The I²C0n transfer clock frequency (f_{SCL}) is calculated using the following expression (n = 0 to 2).

$$f_{SCL} = 1/(m \times T + t_r + t_f)$$

m = 12, 18, 24, 36, 44, 48, 54, 60, 66, 72, 86, 88, 96, 132, 172, 176, 198, 220, 258, 344 (see **Table 19-2 Clock Settings**).

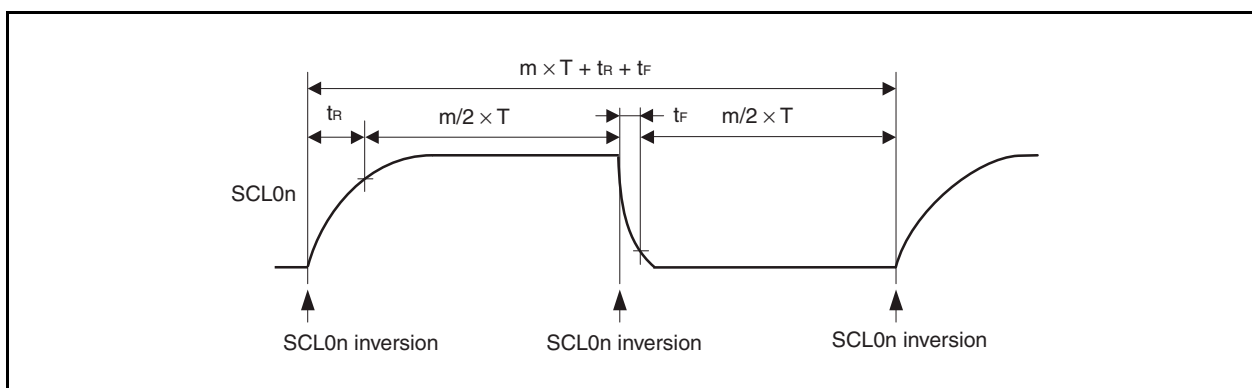
T: 1/f_{xx}

t_r: SCL0n pin rise time

t_f: SCL0n pin fall time

For example, the I²C0n transfer clock frequency (f_{SCL}) when f_{xx} = 19.2 MHz, m = 198, t_r = 200 ns, and t_f = 50 ns is calculated using following expression.

$$f_{SCL} = 1/(198 \times 52 \text{ ns} + 200 \text{ ns} + 50 \text{ ns}) \cong 94.7 \text{ kHz}$$



The clock to be selected can be set by the combination of the SMCn, CLn1, and CLn0 bits of the IICCLn register, the CLXn bit of the IICXn register, and the OCKSTHm, OCKSm1, and OCKSm0 bits of the OCKSm register (n = 0 to 2, m = 0, 1).

Table 19-2. Clock Settings (1/2)

IICX0	IICCL0			Selection Clock	Transfer Clock	Settable Main Clock Frequency (f _{xx}) Range	Operating Mode
	Bit 0	Bit 3	Bit 1				
CLX0	SMC0	CL01	CL00				
0	0	0	0	f _{xx} (when OCKS0 = 18H set)	f _{xx} /44	2.50 MHz ≤ f _{xx} ≤ 4.19 MHz	Standard mode (SMC0 bit = 0)
				f _{xx} /2 (when OCKS0 = 10H set)	f _{xx} /88	4.00 MHz ≤ f _{xx} ≤ 8.38 MHz	
				f _{xx} /3 (when OCKS0 = 11H set)	f _{xx} /132	6.00 MHz ≤ f _{xx} ≤ 12.57 MHz	
				f _{xx} /4 (when OCKS0 = 12H set)	f _{xx} /176	8.00 MHz ≤ f _{xx} ≤ 16.76 MHz	
				f _{xx} /5 (when OCKS0 = 13H set)	f _{xx} /220	10.00 MHz ≤ f _{xx} ≤ 20.00 MHz	
0	0	0	1	f _{xx} (when OCKS0 = 18H set)	f _{xx} /86	4.19 MHz ≤ f _{xx} ≤ 8.38 MHz	
				f _{xx} /2 (when OCKS0 = 10H set)	f _{xx} /172	8.38 MHz ≤ f _{xx} ≤ 16.76 MHz	
				f _{xx} /3 (when OCKS0 = 11H set)	f _{xx} /258	12.57 MHz ≤ f _{xx} ≤ 20.00 MHz	
				f _{xx} /4 (when OCKS0 = 12H set)	f _{xx} /344	16.76 MHz ≤ f _{xx} ≤ 20.00 MHz	
0	0	1	0	f _{xx} ^{Note}	f _{xx} /86	4.19 MHz ≤ f _{xx} ≤ 8.38 MHz	
0	0	1	1	f _{xx} (when OCKS0 = 18H set)	f _{xx} /66	f _{xx} = 6.40 MHz	
				f _{xx} /2 (when OCKS0 = 10H set)	f _{xx} /132	f _{xx} = 12.80 MHz	
				f _{xx} /3 (when OCKS0 = 11H set)	f _{xx} /198	f _{xx} = 19.20 MHz	
0	1	0	×	f _{xx} (when OCKS0 = 18H set)	f _{xx} /24	4.19 MHz ≤ f _{xx} ≤ 8.38 MHz	High-speed mode (SMC0 bit = 1)
				f _{xx} /2 (when OCKS0 = 10H set)	f _{xx} /48	8.00 MHz ≤ f _{xx} ≤ 16.76 MHz	
				f _{xx} /3 (when OCKS0 = 11H set)	f _{xx} /72	12.00 MHz ≤ f _{xx} ≤ 20.00 MHz	
				f _{xx} /4 (when OCKS0 = 12H set)	f _{xx} /96	16.00 MHz ≤ f _{xx} ≤ 20.00 MHz	
0	1	1	0	f _{xx} ^{Note}	f _{xx} /24	4.00 MHz ≤ f _{xx} ≤ 8.38 MHz	
0	1	1	1	f _{xx} (when OCKS0 = 18H set)	f _{xx} /18	f _{xx} = 6.40 MHz	
				f _{xx} /2 (when OCKS0 = 10H set)	f _{xx} /36	f _{xx} = 12.80 MHz	
				f _{xx} /3 (when OCKS0 = 11H set)	f _{xx} /54	f _{xx} = 19.20 MHz	
1	1	0	×	f _{xx} (when OCKS0 = 18H set)	f _{xx} /12	4.00 MHz ≤ f _{xx} ≤ 4.19 MHz	
				f _{xx} /2 (when OCKS0 = 10H set)	f _{xx} /24	8.00 MHz ≤ f _{xx} ≤ 8.38 MHz	
				f _{xx} /3 (when OCKS0 = 11H set)	f _{xx} /36	12.00 MHz ≤ f _{xx} ≤ 12.57 MHz	
				f _{xx} /4 (when OCKS0 = 12H set)	f _{xx} /48	16.00 MHz ≤ f _{xx} ≤ 16.67 MHz	
				f _{xx} /5 (when OCKS0 = 13H set)	f _{xx} /60	f _{xx} = 20.00 MHz	
1	1	1	0	f _{xx} ^{Note}	f _{xx} /12	4.00 MHz ≤ f _{xx} ≤ 4.19 MHz	
Other than above				Setting prohibited	–	–	–

Note Since the selection clock is f_{xx} regardless of the value set to the OCKS0 register, clear the OCKS0 register to 00H (I²C division clock stopped status).

Remark ×: don't care

Table 19-2. Clock Settings (2/2)

IICXm	IICCLm			Selection Clock	Transfer Clock	Settable Main Clock Frequency (f _{xx}) Range	Operating Mode	
	Bit 0	Bit 3	Bit 1					Bit 0
CLXm	SMCm	CLm1	CLm0					
0	0	0	0	f _{xx} (when OCKS1 = 18H set)	f _{xx} /44	2.50 MHz ≤ f _{xx} ≤ 4.19 MHz	Standard mode (SMCm bit = 0)	
				f _{xx} /2 (when OCKS1 = 10H set)	f _{xx} /88	4.00 MHz ≤ f _{xx} ≤ 8.38 MHz		
				f _{xx} /3 (when OCKS1 = 11H set)	f _{xx} /132	6.00 MHz ≤ f _{xx} ≤ 12.57 MHz		
				f _{xx} /4 (when OCKS1 = 12H set)	f _{xx} /176	8.00 MHz ≤ f _{xx} ≤ 16.76 MHz		
				f _{xx} /5 (when OCKS1 = 13H set)	f _{xx} /220	10.00 MHz ≤ f _{xx} ≤ 20.00 MHz		
0	0	0	1	f _{xx} (when OCKS1 = 18H set)	f _{xx} /86	4.19 MHz ≤ f _{xx} ≤ 8.38 MHz	Standard mode (SMCm bit = 0)	
				f _{xx} /2 (when OCKS1 = 10H set)	f _{xx} /172	8.38 MHz ≤ f _{xx} ≤ 16.76 MHz		
				f _{xx} /3 (when OCKS1 = 11H set)	f _{xx} /258	12.57 MHz ≤ f _{xx} ≤ 20.00 MHz		
				f _{xx} /4 (when OCKS1 = 12H set)	f _{xx} /344	16.76 MHz ≤ f _{xx} ≤ 20.00 MHz		
0	0	1	0	f _{xx} ^{Note}	f _{xx} /86	4.19 MHz ≤ f _{xx} ≤ 8.38 MHz		
0	0	1	1	f _{xx} (when OCKS1 = 18H set)	f _{xx} /66	f _{xx} = 6.40 MHz		
				f _{xx} /2 (when OCKS1 = 10H set)	f _{xx} /132	f _{xx} = 12.80 MHz		
				f _{xx} /3 (when OCKS1 = 11H set)	f _{xx} /198	f _{xx} = 19.20 MHz		
0	1	0	×	f _{xx} (when OCKS1 = 18H set)	f _{xx} /24	4.19 MHz ≤ f _{xx} ≤ 8.38 MHz		High-speed mode (SMCm bit = 1)
				f _{xx} /2 (when OCKS1 = 10H set)	f _{xx} /48	8.00 MHz ≤ f _{xx} ≤ 16.76 MHz		
				f _{xx} /3 (when OCKS1 = 11H set)	f _{xx} /72	12.00 MHz ≤ f _{xx} ≤ 20.00 MHz		
				f _{xx} /4 (when OCKS1 = 12H set)	f _{xx} /96	16.00 MHz ≤ f _{xx} ≤ 20.00 MHz		
0	1	1	0	f _{xx} ^{Note}	f _{xx} /24	4.00 MHz ≤ f _{xx} ≤ 8.38 MHz		
0	1	1	1	f _{xx} (when OCKS1 = 18H set)	f _{xx} /18	f _{xx} = 6.40 MHz		
				f _{xx} /2 (when OCKS1 = 10H set)	f _{xx} /36	f _{xx} = 12.80 MHz		
				f _{xx} /3 (when OCKS1 = 11H set)	f _{xx} /54	f _{xx} = 19.20 MHz		
1	1	0	×	f _{xx} (when OCKS1 = 18H set)	f _{xx} /12	4.00 MHz ≤ f _{xx} ≤ 4.19 MHz	High-speed mode (SMCm bit = 1)	
				f _{xx} /2 (when OCKS1 = 10H set)	f _{xx} /24	8.00 MHz ≤ f _{xx} ≤ 8.38 MHz		
				f _{xx} /3 (when OCKS1 = 11H set)	f _{xx} /36	12.00 MHz ≤ f _{xx} ≤ 12.57 MHz		
				f _{xx} /4 (when OCKS1 = 12H set)	f _{xx} /48	16.00 MHz ≤ f _{xx} ≤ 16.67 MHz		
				f _{xx} /5 (when OCKS1 = 13H set)	f _{xx} /60	f _{xx} = 20.00 MHz		
1	1	1	0	f _{xx} ^{Note}	f _{xx} /12	4.00 MHz ≤ f _{xx} ≤ 4.19 MHz		
Other than above				Setting prohibited	–	–	–	

Note Since the selection clock is f_{xx} regardless of the value set to the OCKS1 register, clear the OCKS1 register to 00H (I²C division clock stopped status).

- Remarks**
- m = 1, 2
 - ×: don't care

(7) IIC division clock select registers 0, 1 (OCKS0, OCKS1)

The OCKSm register controls the I²C0n division clock (n = 0 to 2, m = 0, 1).

These registers control the I²C00 division clock via the OCKS0 register and the I²C01 and I²C02 division clocks via the OCKS1 register.

These registers can be read or written in 8-bit units.

Reset sets these registers to 00H.

After reset: 00H R/W Address: OCKS0 FFFFF340H, OCKS1 FFFFF344H

	7	6	5	4	3	2	1	0
OCKSm	0	0	0	OCKSENm	OCKSTHm	0	OCKSm1	OCKSm0

(m = 0, 1)

OCKSENm	Operation setting of I ² C division clock
0	Disable I ² C division clock operation
1	Enable I ² C division clock operation

OCKSTHm	OCKSm1	OCKSm0	Selection of I ² C division clock
0	0	0	f _{xx} /2
0	0	1	f _{xx} /3
0	1	0	f _{xx} /4
0	1	1	f _{xx} /5
1	0	0	f _{xx}
Other than above			Setting prohibited

(8) IIC shift registers 0 to 2 (IIC0 to IIC2)

The IICn register is used for serial transmission/reception (shift operations) synchronized with the serial clock. These registers can be read or written in 8-bit units, but data should not be written to the IICn register during a data transfer.

Access (read/write) the IICn register only during the wait period. Accessing this register in communication states other than the wait period is prohibited. However, for the master device, the IICn register can be written once only after the transmission trigger bit (IICn.STTn bit) has been set to 1.

A wait state is released by writing the IICn register during the wait period, and data transfer is started (n = 0 to 2).

Reset sets these registers to 00H.

After reset: 00H R/W Address: IIC0 FFFFFD80H, IIC1 FFFFFD90H, IIC2 FFFFFDA0H

	7	6	5	4	3	2	1	0
IICn								

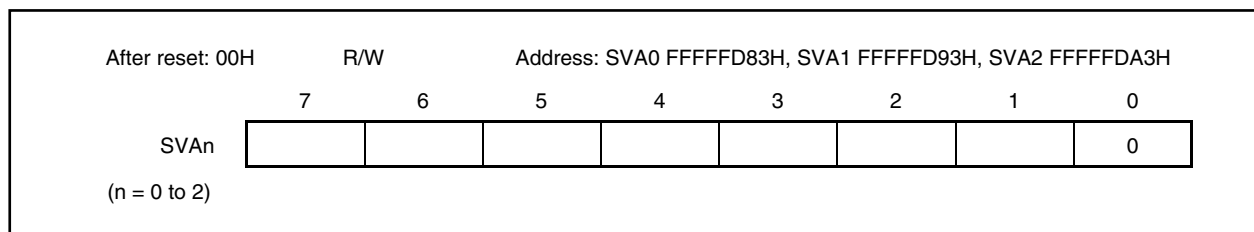
(n = 0 to 2)

(9) Slave address registers 0 to 2 (SVA0 to SVA2)

The SVAn register holds the I²C bus's slave address.

These registers can be read or written in 8-bit units, but bit 0 should be fixed to 0. However, rewriting this register is prohibited when the IICSn.STDn bit = 1 (start condition detection).

Reset sets these registers to 00H.



19.5 I²C Bus Mode Functions

19.5.1 Pin configuration

The serial clock pin (SCL0n) and serial data bus pin (SDA0n) are configured as follows (n = 0 to 2).

SCL0n This pin is used for serial clock input and output.

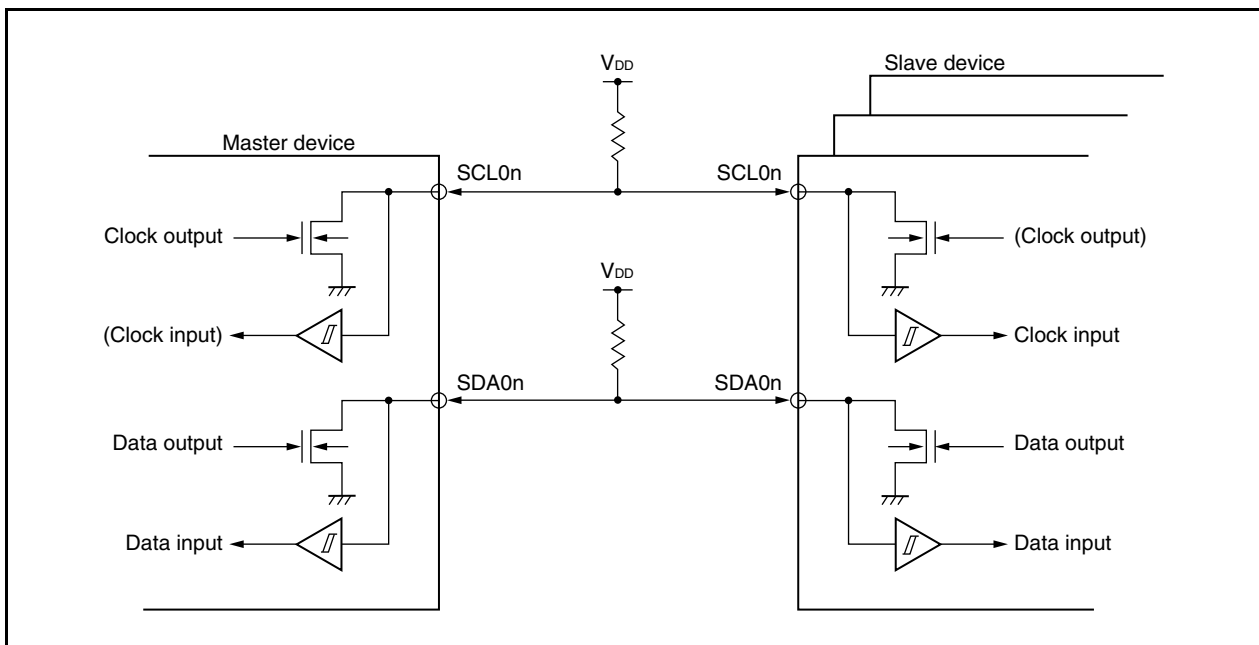
This pin is an N-ch open-drain output for both master and slave devices. Input is Schmitt input.

SDA0n This pin is used for serial data input and output.

This pin is an N-ch open-drain output for both master and slave devices. Input is Schmitt input.

Since outputs from the serial clock line and the serial data bus line are N-ch open-drain outputs, an external pull-up resistor is required.

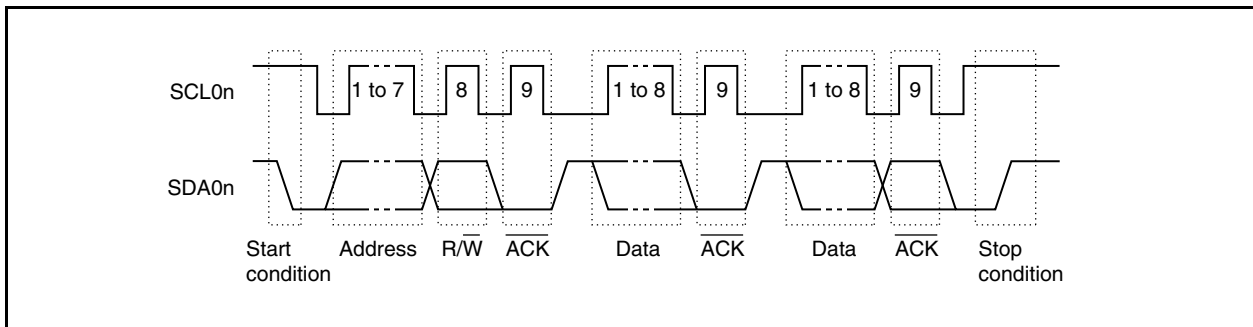
Figure 19-6. Pin Configuration Diagram



19.6 I²C Bus Definitions and Control Methods

The following section describes the I²C bus's serial data communication format and the signals used by the I²C bus. The transfer timing for the "start condition", "address", "transfer direction specification", "data", and "stop condition" generated on the I²C bus's serial data bus is shown below.

Figure 19-7. I²C Bus Serial Data Transfer Timing



The master device generates the start condition, slave address, and stop condition.

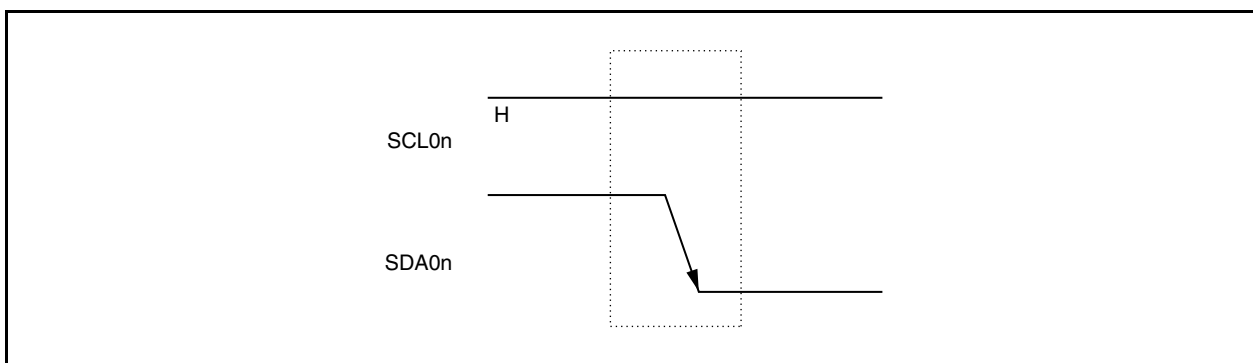
ACK can be generated by either the master or slave device (normally, it is generated by the device that receives 8-bit data).

The serial clock (SCL0n) is continuously output by the master device. However, in the slave device, the SCL0n pin's low-level period can be extended and a wait state can be inserted (n = 0 to 2).

19.6.1 Start condition

A start condition is met when the SCL0n pin is high level and the SDA0n pin changes from high level to low level. The start condition for the SCL0n and SDA0n pins is a signal that the master device outputs to the slave device when starting a serial transfer. The slave device can detect the start condition (n = 0 to 2).

Figure 19-8. Start Condition



A start condition is output when the IICn.STTn bit is set (1) after a stop condition has been detected (IICSn.SPDn bit = 1). When a start condition is detected, the IICSn.STDn bit is set (1) (n = 0 to 2).

Caution When the IICn.IICEn bit of the V850ES/JG3-L is set to 1 while communications with other devices are in progress, the start condition may be detected depending on the status of the communication line. Be sure to set the IICn.IICEn bit to 1 when the SCL0n and SDA0n lines are high level.

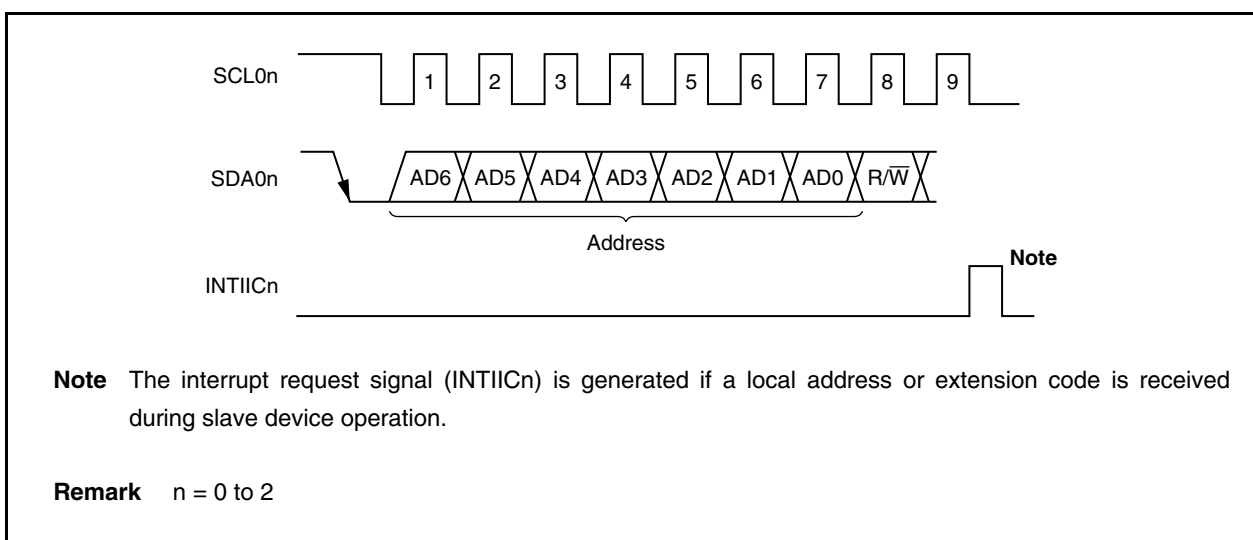
19.6.2 Addresses

The 7 bits of data that follow the start condition are defined as an address.

An address is a 7-bit data segment that is output in order to select one of the slave devices that are connected to the master device via the bus lines. Therefore, each slave device connected via the bus lines must have a unique address.

The slave devices include hardware that detects the start condition and checks whether or not the 7-bit address data matches the data values stored in the SVAn register. If the address data matches the values of the SVAn register, the slave device is selected and communicates with the master device until the master device generates a start condition or stop condition (n = 0 to 2).

Figure 19-9. Address



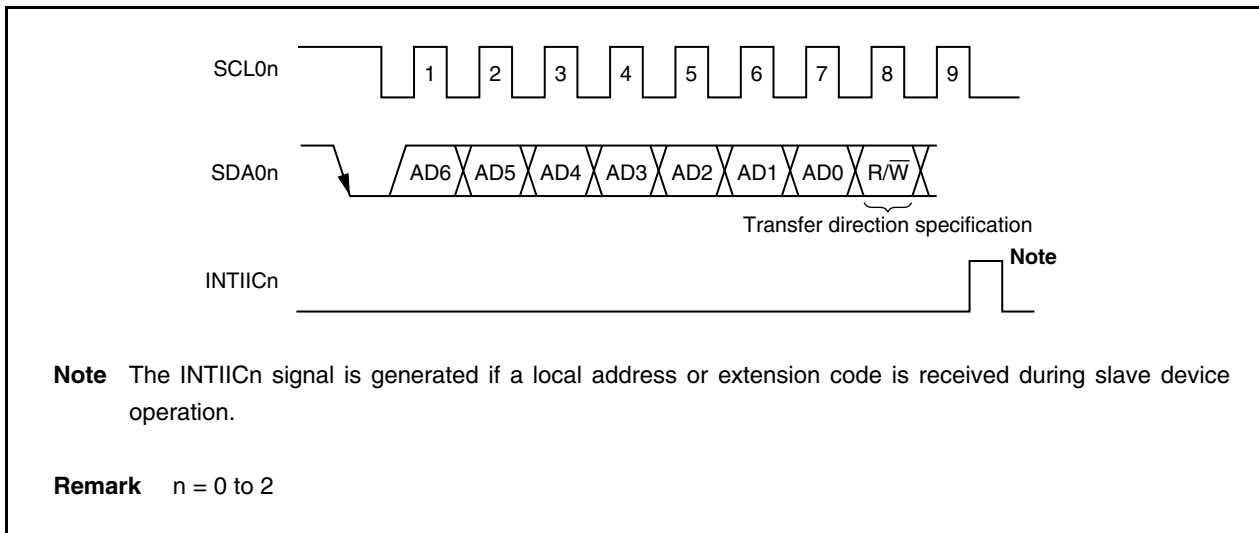
The slave address and the eighth bit, which specifies the transfer direction as described in **19.6.3 Transfer direction specification** below, are written together to IIC shift register n (IICn) and then output. Received addresses are written to the IICn register (n = 0 to 2).

The slave address is assigned to the higher 7 bits of the IICn register.

19.6.3 Transfer direction specification

In addition to the 7-bit address data, the master device sends 1 bit that specifies the transfer direction. When this transfer direction specification bit has a value of 0, it indicates that the master device is transmitting data to a slave device. When the transfer direction specification bit has a value of 1, it indicates that the master device is receiving data from a slave device.

Figure 19-10. Transfer Direction Specification



19.6.4 $\overline{\text{ACK}}$

$\overline{\text{ACK}}$ is used to confirm the serial data status of the transmitting and receiving devices.

The receiving device returns $\overline{\text{ACK}}$ for every 8 bits of data it receives.

The transmitting device normally receives $\overline{\text{ACK}}$ after transmitting 8 bits of data. When $\overline{\text{ACK}}$ is returned from the receiving device, the reception is judged as normal and processing continues. The detection of $\overline{\text{ACK}}$ is confirmed with the IICSn.ACKDn bit.

When the master device is the receiving device, after receiving the final data, it does not return $\overline{\text{ACK}}$ and generates the stop condition. When the slave device is the receiving device and does not return $\overline{\text{ACK}}$, the master device generates either a stop condition or a restart condition, and then stops the current transmission. Failure to return $\overline{\text{ACK}}$ may be caused by the following factors.

- (a) Reception was not performed normally.
- (b) The final data was received.
- (c) The receiving device (slave) does not exist for the specified address.

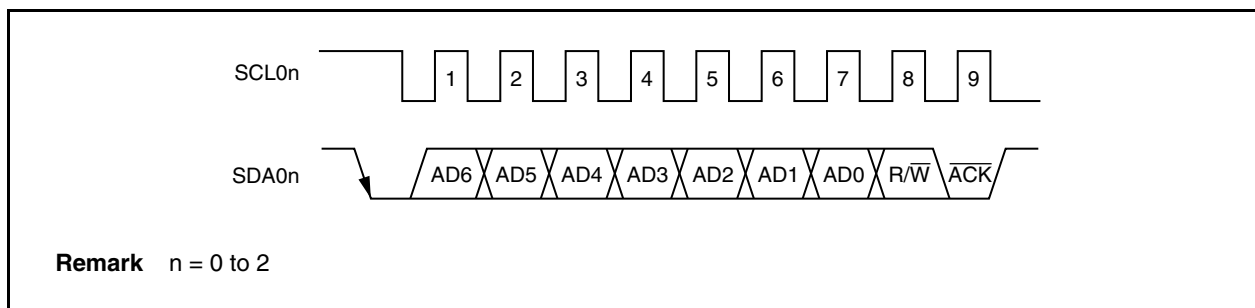
When the receiving device sets the SDA0n line to low level during the ninth clock, $\overline{\text{ACK}}$ is generated (normal reception).

When the IICn.ACKEn bit is set to 1, automatic $\overline{\text{ACK}}$ generation is enabled. Transmission of the eighth bit following the 7 address data bits causes the IICn.TRcN bit to be set. Normally, set the ACKEn bit to 1 for reception (TRcN bit = 0).

When the slave device is receiving (when TRcN bit = 0), if the slave device cannot receive data or does not need to receive any more data, clear the ACKEn bit to 0 to indicate to the master that no more data can be received.

Similarly, when the master device is receiving (when TRcN bit = 0) and the subsequent data is not needed, clear the ACKEn bit to 0 to prevent $\overline{\text{ACK}}$ from being generated. This notifies the slave device (transmitting device) of the end of the data transmission (transmission stopped).

Figure 19-11. $\overline{\text{ACK}}$



When the local address is received, $\overline{\text{ACK}}$ is automatically generated regardless of the value of the ACKEn bit. No $\overline{\text{ACK}}$ is generated if the received address is not a local address (NACK).

When receiving the extension code, set the ACKEn bit to 1 in advance to generate $\overline{\text{ACK}}$.

The $\overline{\text{ACK}}$ generation method during data reception is based on the wait timing setting, as described by the following.

- When 8-clock wait is selected (IICn.WTIMn bit = 0):
 $\overline{\text{ACK}}$ is generated at the falling edge of the SCL0n pin's eighth clock if the ACKEn bit is set to 1 before the wait state cancellation.
- When 9-clock wait is selected (IICn.WTIMn bit = 1):
 $\overline{\text{ACK}}$ is generated if the ACKEn bit is set to 1 in advance.

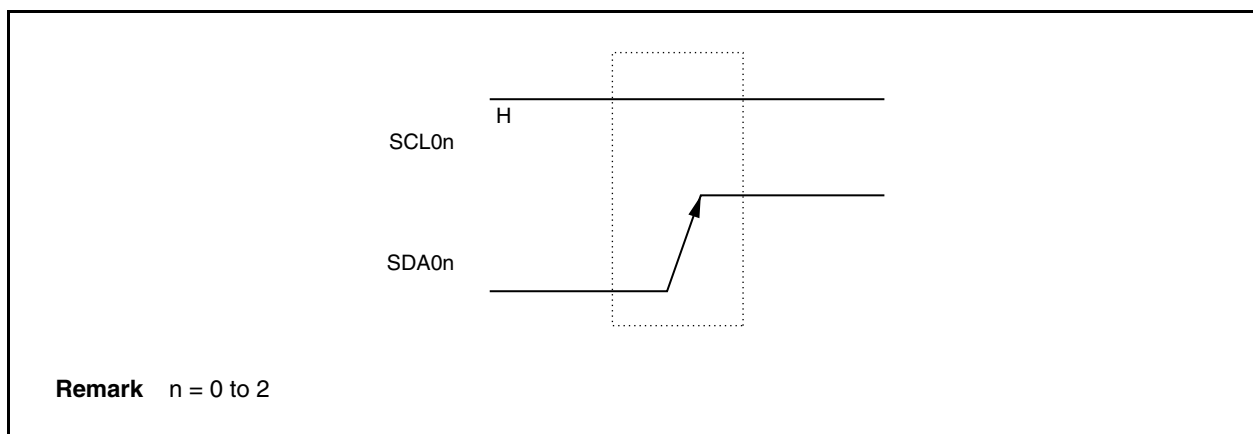
Remark n = 0 to 2

19.6.5 Stop condition

When the SCL0n pin is high level, changing the SDA0n pin from low level to high level generates a stop condition (n = 0 to 2).

A stop condition is generated when the master device outputs to the slave device when serial transfer has been completed. When used as the slave device, the start condition can be detected.

Figure 19-12. Stop Condition



A stop condition is generated when the IICn.SPTn bit is set to 1. When the stop condition is detected, the IICn.SPDn bit is set to 1 and the interrupt request signal (INTIICn) is generated when the IICn.SPIEn bit is set to 1 (n = 0 to 2).

19.6.6 Wait state

A wait state is used to notify the communication partner that a device (master or slave) is preparing to transmit or receive data (i.e., is in a wait state).

Setting the SCL0n pin to low level notifies the communication partner of the wait state. When the wait state has been canceled for both the master and slave devices, the next data transfer can begin (n = 0 to 2).

Figure 19-13. Wait State (1/2)

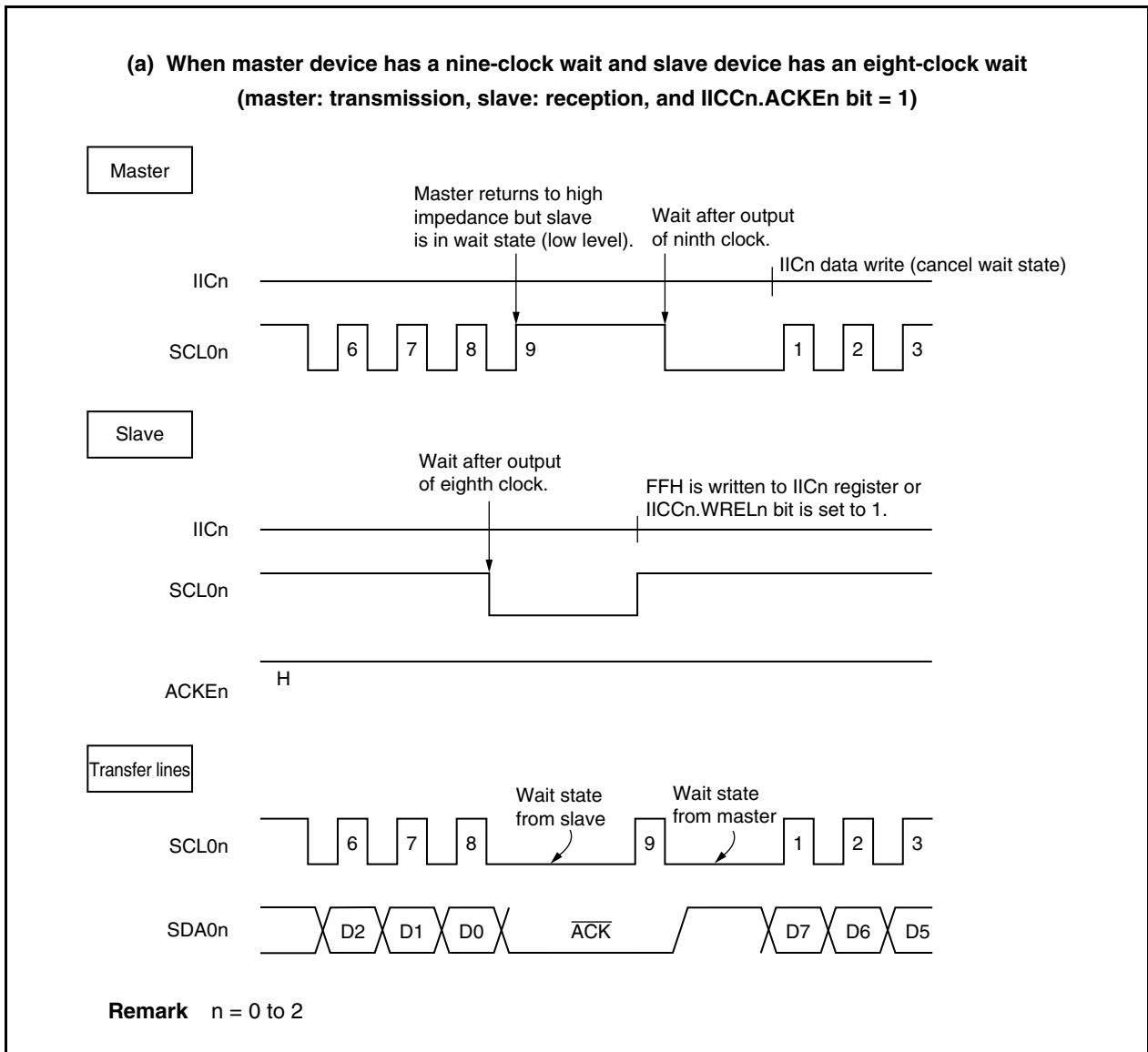
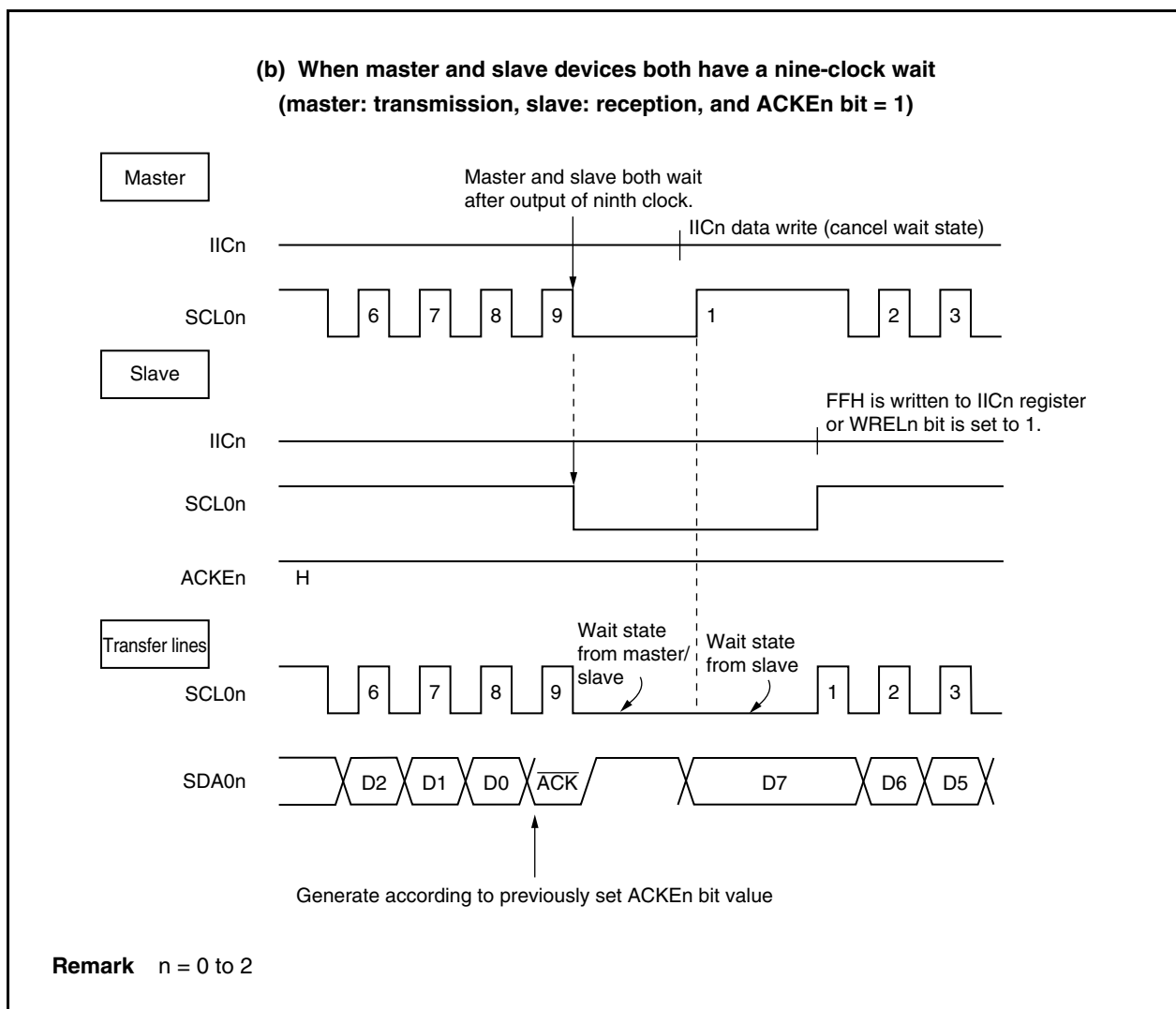


Figure 19-13. Wait State (2/2)



A wait state may be automatically generated depending on the setting of the IICn.WTIMn bit (n = 0 to 2).

Normally, when the IICn.WRELn bit is set to 1 or when FFH is written to the IICn register on the receiving side, the wait state is canceled and the transmitting side writes data to the IICn register to cancel the wait state.

The master device can also cancel the wait state via either of the following methods.

- By setting the IICn.STTn bit to 1
- By setting the IICn.SPTn bit to 1

19.6.7 Wait state cancellation method

In the case of I²C0n, a wait state can be canceled normally in the following ways (n = 0 to 2).

- By writing data to the IICn register
- By setting the IICn.WRELn bit to 1 (wait state cancellation)
- By setting the IICn.STTn bit to 1 (start condition generation)
- By setting the IICn.SPTn bit to 1 (stop condition generation)

If any of these wait state cancellation actions is performed, I²C0n will cancel the wait state and restart communication.

When canceling the wait state and sending data (including addresses), write data to the IICn register.

To receive data after canceling the wait state, or to complete data transmission, set the WRELn bit to 1.

To generate a restart condition after canceling the wait state, set the STTn bit to 1.

To generate a stop condition after canceling the wait state, set the SPTn bit to 1.

Cancel each wait state only once.

For example, if data is written to the IICn register following wait state cancellation by setting the WRELn bit to 1, a conflict between the SDA0n line change timing and the IICn register write timing may result in the data output to the SDA0n line being incorrect.

Even in other operations, if communication is stopped halfway, clearing the IICn.IICEn bit to 0 will stop communication, enabling the wait state to be cancelled.

If the I²C bus deadlocks due to noise, etc., setting the IICn.LRELn bit to 1 causes the communication to stop, enabling the wait state to be cancelled.

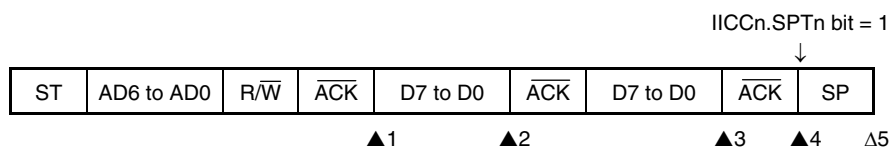
19.7 I²C Interrupt Request Signals (INTIICn)

The following shows the value of the IICSn register at the INTIICn interrupt request signal generation timing and at the INTIICn signal timing (n = 0 to 2).

19.7.1 Master device operation

(1) Start ~ Address ~ Data ~ Data ~ Stop (normal transmission/reception)

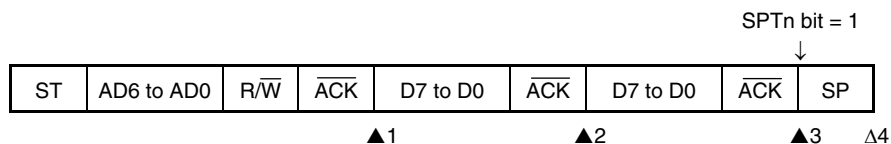
<1> When IICn.WTIMn bit = 0



- ▲1: IICSn register = 1000X110B
- ▲2: IICSn register = 1000X000B
- ▲3: IICSn register = 1000X000B (WTIMn bit = 1)
- ▲4: IICSn register = 1000XX00B
- Δ 5: IICSn register = 00000001B

Remarks 1. ▲: Always generated
 Δ: Generated only when SPIEn bit = 1
 X: don't care
2. n = 0 to 2

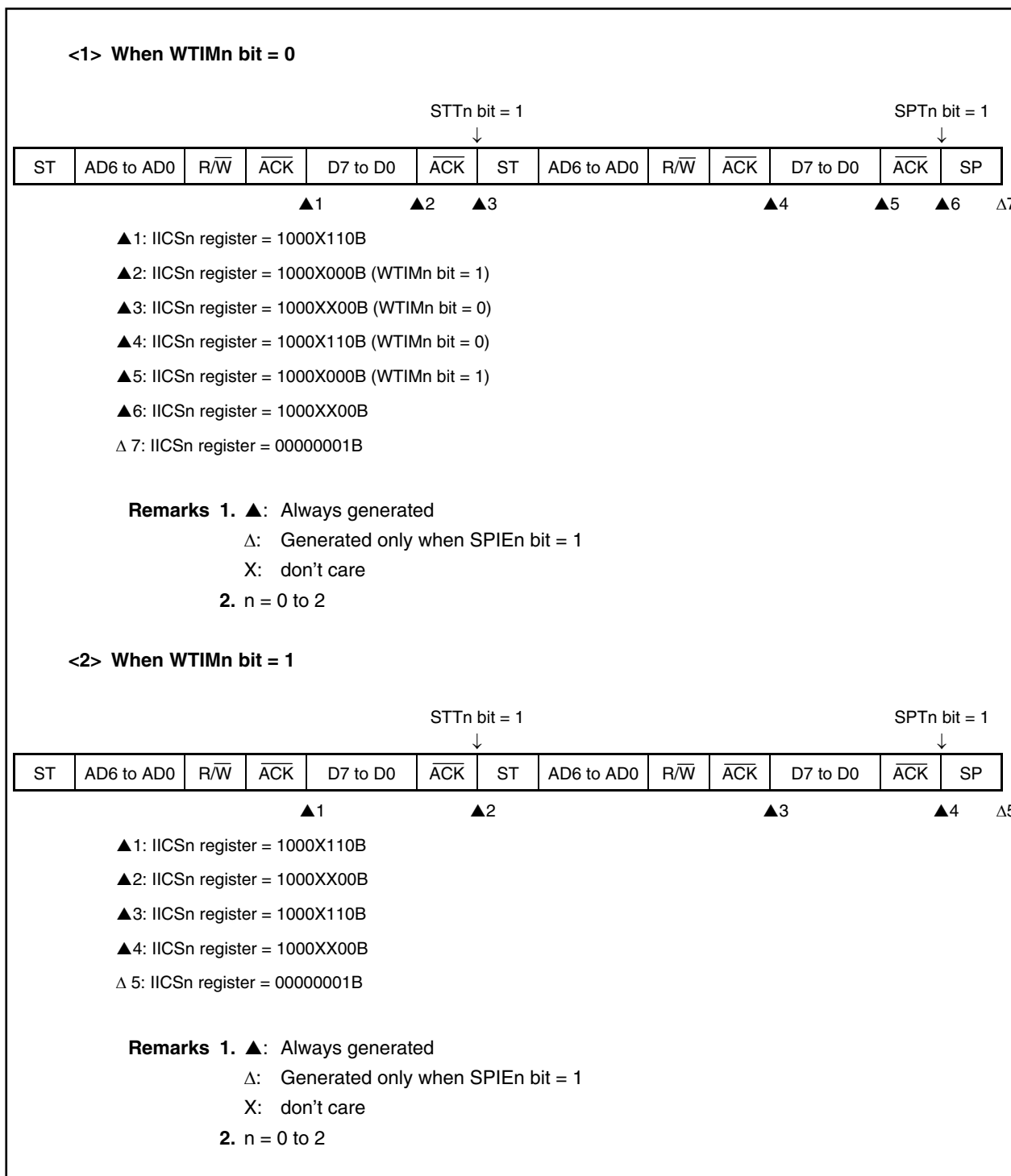
<2> When WTIMn bit = 1

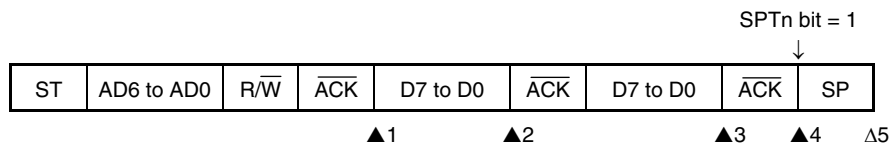


- ▲1: IICSn register = 1000X110B
- ▲2: IICSn register = 1000X100B
- ▲3: IICSn register = 1000XX00B
- Δ 4: IICSn register = 00000001B

Remarks 1. ▲: Always generated
 Δ: Generated only when SPIEn bit = 1
 X: don't care
2. n = 0 to 2

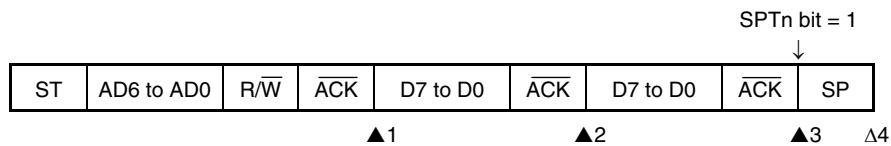
(2) Start ~ Address ~ Data ~ Start ~ Address ~ Data ~ Stop (restart)



(3) Start ~ Code ~ Data ~ Data ~ Stop (extension code transmission)**<1> When WTIMn bit = 0**

- ▲1: IICSn register = 1010X110B
- ▲2: IICSn register = 1010X000B
- ▲3: IICSn register = 1010X000B (WTIMn bit = 1)
- ▲4: IICSn register = 1010XX00B
- Δ5: IICSn register = 00000001B

- Remarks 1.** ▲: Always generated
 Δ: Generated only when SPIEn bit = 1
 X: don't care
- 2.** n = 0 to 2

<2> When WTIMn bit = 1

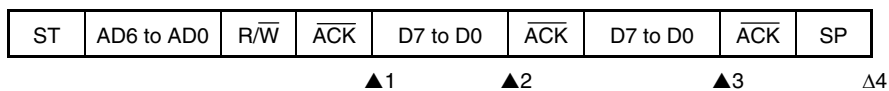
- ▲1: IICSn register = 1010X110B
- ▲2: IICSn register = 1010X100B
- ▲3: IICSn register = 1010XX00B
- Δ4: IICSn register = 00000001B

- Remarks 1.** ▲: Always generated
 Δ: Generated only when SPIEn bit = 1
 X: don't care
- 2.** n = 0 to 2

19.7.2 Slave device operation (when receiving slave address data (address match))

(1) Start ~ Address ~ Data ~ Data ~ Stop

<1> When IICn.WTIMn bit = 0



▲1: IICSn register = 0001X110B

▲2: IICSn register = 0001X000B

▲3: IICSn register = 0001X000B

Δ4: IICSn register = 00000001B

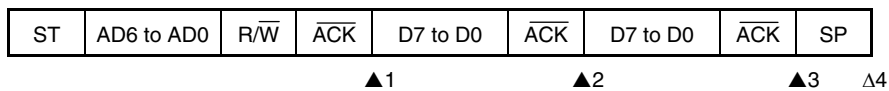
Remarks 1. ▲: Always generated

Δ: Generated only when IICn.SPIEn bit = 1

X: don't care

2. n = 0 to 2

<2> When WTIMn bit = 1



▲1: IICSn register = 0001X110B

▲2: IICSn register = 0001X100B

▲3: IICSn register = 0001XX00B

Δ4: IICSn register = 00000001B

Remarks 1. ▲: Always generated

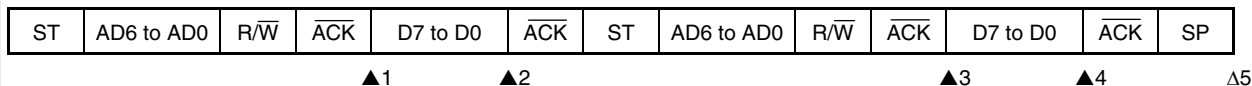
Δ: Generated only when SPIEn bit = 1

X: don't care

2. n = 0 to 2

(2) Start ~ Address ~ Data ~ Start ~ Address ~ Data ~ Stop

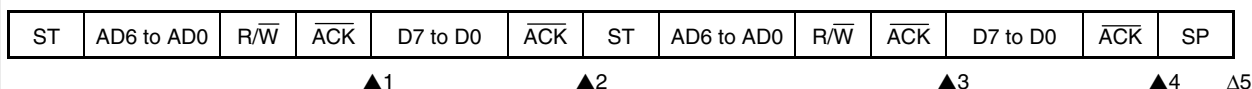
<1> When WTIMn bit = 0 (after restart, address match)



- ▲1: IICSn register = 0001X110B
- ▲2: IICSn register = 0001X000B
- ▲3: IICSn register = 0001X110B
- ▲4: IICSn register = 0001X000B
- Δ 5: IICSn register = 00000001B

Remarks 1. ▲: Always generated
 Δ: Generated only when SPIEn bit = 1
 X: don't care
 2. n = 0 to 2

<2> When WTIMn bit = 1 (after restart, address match)

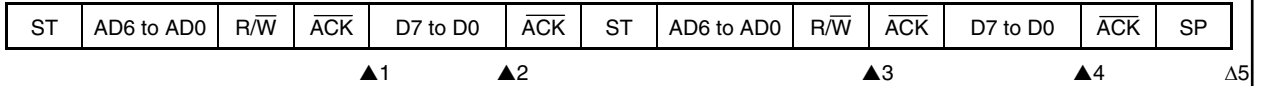


- ▲1: IICSn register = 0001X110B
- ▲2: IICSn register = 0001XX00B
- ▲3: IICSn register = 0001X110B
- ▲4: IICSn register = 0001XX00B
- Δ 5: IICSn register = 00000001B

Remarks 1. ▲: Always generated
 Δ: Generated only when SPIEn bit = 1
 X: don't care
 2. n = 0 to 2

(3) Start ~ Address ~ Data ~ Start ~ Code ~ Data ~ Stop

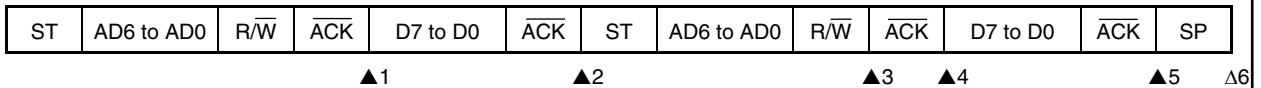
<1> When WTIMn bit = 0 (after restart, extension code reception)



- ▲1: IICSn register = 0001X110B
- ▲2: IICSn register = 0001X000B
- ▲3: IICSn register = 0010X010B
- ▲4: IICSn register = 0010X000B
- Δ 5: IICSn register = 00000001B

Remarks 1. ▲: Always generated
 Δ: Generated only when SPIEn bit = 1
 X: don't care
 2. n = 0 to 2

<2> When WTIMn bit = 1 (after restart, extension code reception)

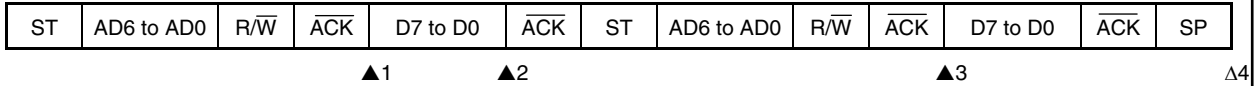


- ▲1: IICSn register = 0001X110B
- ▲2: IICSn register = 0001XX00B
- ▲3: IICSn register = 0010X010B
- ▲4: IICSn register = 0010X110B
- ▲5: IICSn register = 0010XX00B
- Δ 6: IICSn register = 00000001B

Remarks 1. ▲: Always generated
 Δ: Generated only when SPIEn bit = 1
 X: don't care
 2. n = 0 to 2

(4) Start ~ Address ~ Data ~ Start ~ Address ~ Data ~ Stop

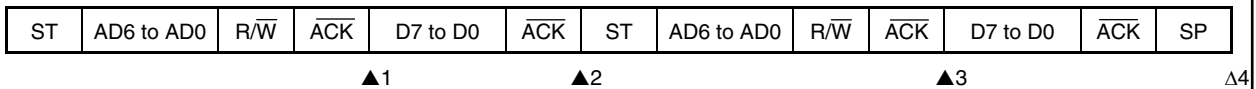
<1> When WTIMn bit = 0 (after restart, address mismatch (= not extension code))



- ▲1: IICSn register = 0001X110B
- ▲2: IICSn register = 0001X000B
- ▲3: IICSn register = 00000X10B
- Δ 4: IICSn register = 00000001B

Remarks 1. ▲: Always generated
 Δ: Generated only when SPIEn bit = 1
 X: don't care
 2. n = 0 to 2

<2> When WTIMn bit = 1 (after restart, address mismatch (= not extension code))



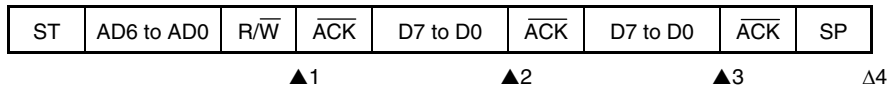
- ▲1: IICSn register = 0001X110B
- ▲2: IICSn register = 0001XX00B
- ▲3: IICSn register = 00000X10B
- Δ 4: IICSn register = 00000001B

Remarks 1. ▲: Always generated
 Δ: Generated only when SPIEn bit = 1
 X: don't care
 2. n = 0 to 2

19.7.3 Slave device operation (when receiving extension code)

(1) Start ~ Code ~ Data ~ Data ~ Stop

<1> When IICn.WTIMn bit = 0



▲1: IICSn register = 0010X010B

▲2: IICSn register = 0010X000B

▲3: IICSn register = 0010X000B

Δ4: IICSn register = 00000001B

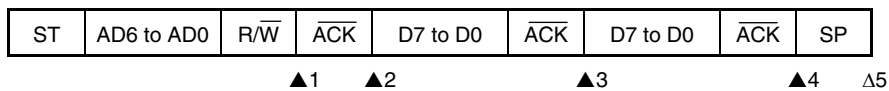
Remarks 1. ▲: Always generated

Δ: Generated only when IICn.SPIEn bit = 1

X: don't care

2. n = 0 to 2

<2> When WTIMn bit = 1



▲1: IICSn register = 0010X010B

▲2: IICSn register = 0010X110B

▲3: IICSn register = 0010X100B

▲4: IICSn register = 0010XX00B

Δ5: IICSn register = 00000001B

Remarks 1. ▲: Always generated

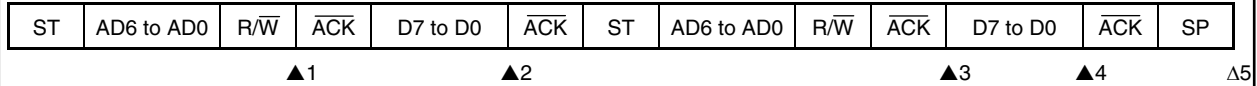
Δ: Generated only when SPIEn bit = 1

X: don't care

2. n = 0 to 2

(2) Start ~ Code ~ Data ~ Start ~ Address ~ Data ~ Stop

<1> When WTIMn bit = 0 (after restart, address match)



▲1: IICSn register = 0010X010B

▲2: IICSn register = 0010X000B

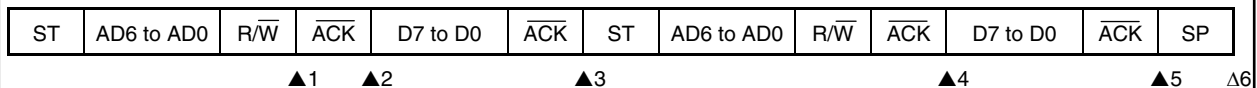
▲3: IICSn register = 0001X110B

▲4: IICSn register = 0001X000B

Δ 5: IICSn register = 00000001B

- Remarks 1.** ▲: Always generated
 Δ: Generated only when SPIEn bit = 1
 X: don't care
- 2.** n = 0 to 2

<2> When WTIMn bit = 1 (after restart, address match)



▲1: IICSn register = 0010X010B

▲2: IICSn register = 0010X110B

▲3: IICSn register = 0010XX00B

▲4: IICSn register = 0001X110B

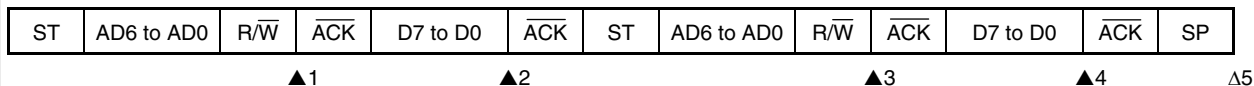
▲5: IICSn register = 0001XX00B

Δ 6: IICSn register = 00000001B

- Remarks 1.** ▲: Always generated
 Δ: Generated only when SPIEn bit = 1
 X: don't care
- 2.** n = 0 to 2

(3) Start ~ Code ~ Data ~ Start ~ Code ~ Data ~ Stop

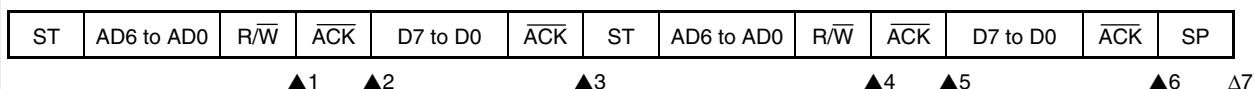
<1> When WTIMn bit = 0 (after restart, extension code reception)



- ▲1: IICSn register = 0010X010B
- ▲2: IICSn register = 0010X000B
- ▲3: IICSn register = 0010X010B
- ▲4: IICSn register = 0010X000B
- Δ 5: IICSn register = 00000001B

Remarks 1. ▲: Always generated
 Δ: Generated only when SPIEn bit = 1
 X: don't care
2. n = 0 to 2

<2> When WTIMn bit = 1 (after restart, extension code reception)

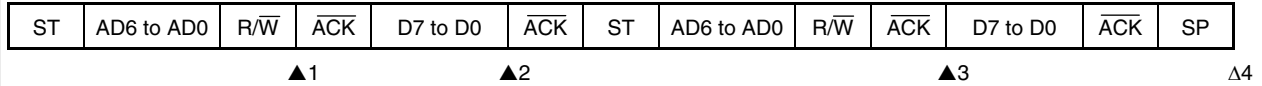


- ▲1: IICSn register = 0010X010B
- ▲2: IICSn register = 0010X110B
- ▲3: IICSn register = 0010XX00B
- ▲4: IICSn register = 0010X010B
- ▲5: IICSn register = 0010X110B
- ▲6: IICSn register = 0010XX00B
- Δ 7: IICSn register = 00000001B

Remarks 1. ▲: Always generated
 Δ: Generated only when SPIEn bit = 1
 X: don't care
2. n = 0 to 2

(4) Start ~ Code ~ Data ~ Start ~ Address ~ Data ~ Stop

<1> When WTIMn bit = 0 (after restart, address mismatch (= not extension code))



▲1: IICSn register = 0010X010B

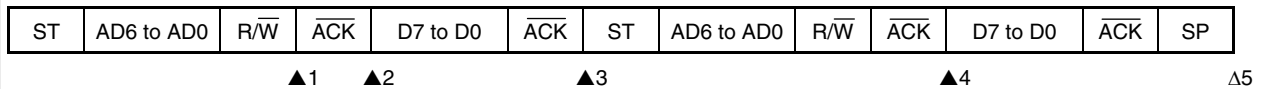
▲2: IICSn register = 0010X000B

▲3: IICSn register = 00000X10B

Δ 4: IICSn register = 00000001B

- Remarks 1.** ▲: Always generated
 Δ: Generated only when SPIEn bit = 1
 X: don't care
 2. n = 0 to 2

<2> When WTIMn bit = 1 (after restart, address mismatch (= not extension code))



▲1: IICSn register = 0010X010B

▲2: IICSn register = 0010X110B

▲3: IICSn register = 0010XX00B

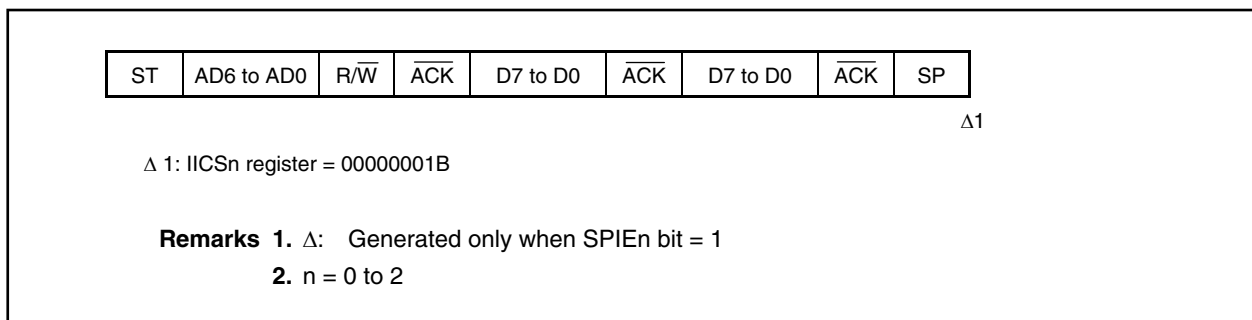
▲4: IICSn register = 00000X10B

Δ 5: IICSn register = 00000001B

- Remarks 1.** ▲: Always generated
 Δ: Generated only when SPIEn bit = 1
 X: don't care
 2. n = 0 to 2

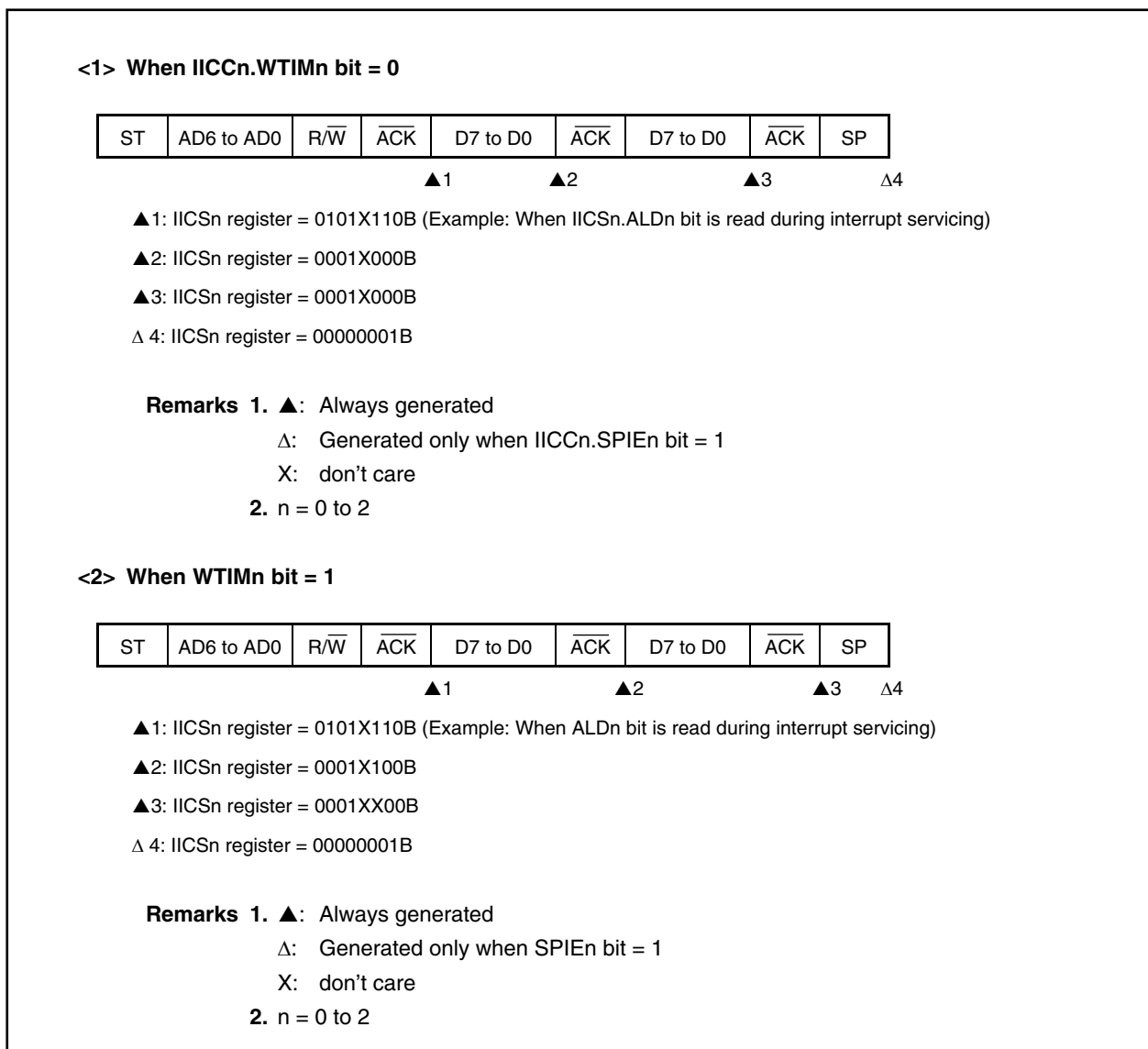
19.7.4 Operation without communication

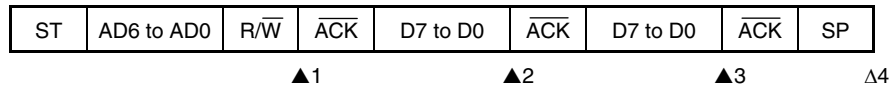
(1) Start ~ Code ~ Data ~ Data ~ Stop



19.7.5 Operation when arbitration loss occurs (operation as slave after arbitration loss)

(1) When arbitration loss occurs during transmission of slave address data



(2) When arbitration loss occurs during transmission of extension code**<1> When WTIMn bit = 0**

▲1: IICSn register = 0110X010B (Example: When ALDn bit is read during interrupt servicing)

▲2: IICSn register = 0010X000B

▲3: IICSn register = 0010X000B

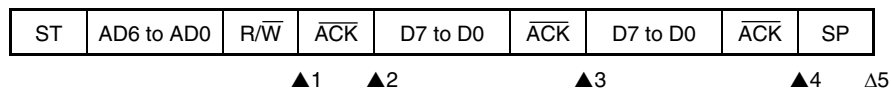
Δ 4: IICSn register = 00000001B

Remarks 1. ▲: Always generated

Δ: Generated only when SPIEn bit = 1

X: don't care

2. n = 0 to 2

<2> When WTIMn bit = 1

▲1: IICSn register = 0110X010B (Example: When ALDn bit is read during interrupt servicing)

▲2: IICSn register = 0010X110B

▲3: IICSn register = 0010X100B

▲4: IICSn register = 0010XX00B

Δ 5: IICSn register = 00000001B

Remarks 1. ▲: Always generated

Δ: Generated only when SPIEn bit = 1

X: don't care

2. n = 0 to 2

19.7.6 Operation when arbitration loss occurs (no communication after arbitration loss)

(1) When arbitration loss occurs during transmission of slave address data

ST	AD6 to AD0	R/W	$\overline{\text{ACK}}$	D7 to D0	$\overline{\text{ACK}}$	D7 to D0	$\overline{\text{ACK}}$	SP
----	------------	-----	-------------------------	----------	-------------------------	----------	-------------------------	----

▲1

Δ2

▲1: IICSn register = 01000110B (Example: When IICSn.ALDn bit is read during interrupt servicing)

Δ 2: IICSn register = 00000001B

Remarks 1. ▲: Always generated

Δ: Generated only when IICcn.SPIEn bit = 1

2. n = 0 to 2

(2) When arbitration loss occurs during transmission of extension code

ST	AD6 to AD0	R/W	$\overline{\text{ACK}}$	D7 to D0	$\overline{\text{ACK}}$	D7 to D0	$\overline{\text{ACK}}$	SP
----	------------	-----	-------------------------	----------	-------------------------	----------	-------------------------	----

▲1

Δ2

▲1: IICSn register = 0110X010B (Example: When ALDn bit is read during interrupt servicing)

IICcn.LRELn bit is set to 1 by software

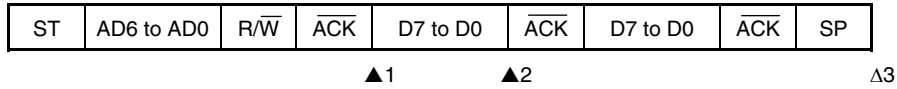
Δ 2: IICSn register = 00000001B

Remarks 1. ▲: Always generated

Δ: Generated only when SPIEn bit = 1

X: don't care

2. n = 0 to 2

(3) When arbitration loss occurs during data transfer**<1> When IICn.WTIMn bit = 0**

▲1: IICSn register = 10001110B

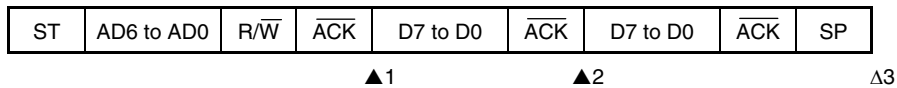
▲2: IICSn register = 01000000B (Example: When ALDn bit is read during interrupt servicing)

Δ3: IICSn register = 00000001B

Remarks 1. ▲: Always generated

Δ: Generated only when SPIEn bit = 1

2. n = 0 to 2

<2> When WTIMn bit = 1

▲1: IICSn register = 10001110B

▲2: IICSn register = 01000100B (Example: When ALDn bit is read during interrupt servicing)

Δ3: IICSn register = 00000001B

Remarks 1. ▲: Always generated

Δ: Generated only when SPIEn bit = 1

2. n = 0 to 2

(4) When arbitration loss occurs due to restart condition during data transfer**<1> Not extension code (Example: Address mismatch)**

ST	AD6 to AD0	R/W	ACK	D7 to Dn	ST	AD6 to AD0	R/W	ACK	D7 to D0	ACK	SP
----	------------	-----	-----	----------	----	------------	-----	-----	----------	-----	----

▲1

▲2

Δ3

▲1: IICSn register = 1000X110B

▲2: IICSn register = 01000110B (Example: When ALDn bit is read during interrupt servicing)

Δ3: IICSn register = 00000001B

Remarks 1. ▲: Always generated

Δ: Generated only when SPIEn bit = 1

X: don't care

2. Dn = D6 to D0

n = 0 to 2

<2> Extension code

ST	AD6 to AD0	R/W	ACK	D7 to Dn	ST	AD6 to AD0	R/W	ACK	D7 to D0	ACK	SP
----	------------	-----	-----	----------	----	------------	-----	-----	----------	-----	----

▲1

▲2

Δ3

▲1: IICSn register = 1000X110B

▲2: IICSn register = 0110X010B (Example: When ALDn bit is read during interrupt servicing)

IICn.LRELn bit is set to 1 by software

Δ3: IICSn register = 00000001B

Remarks 1. ▲: Always generated

Δ: Generated only when SPIEn bit = 1

X: don't care

2. Dn = D6 to D0

n = 0 to 2

(5) When arbitration loss occurs due to stop condition during data transfer

ST	AD6 to AD0	R/W	\overline{ACK}	D7 to Dn	SP
----	------------	-----	------------------	----------	----

▲1

Δ2

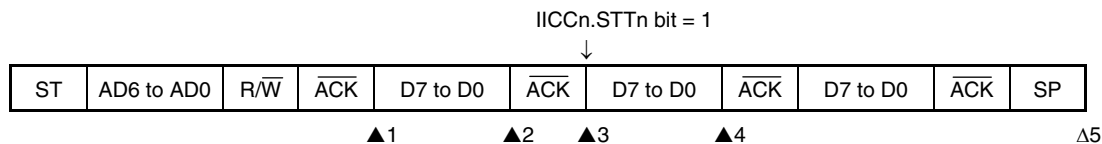
▲1: IICSn register = 1000X110B

Δ 2: IICSn register = 01000001B

- Remarks**
- ▲: Always generated
 Δ: Generated only when SPIEn bit = 1
 X: don't care
 - Dn = D6 to D0
 n = 0 to 2

(6) When arbitration loss occurs due to low level of SDA0n pin when attempting to generate a restart condition

<1> When WTIMn bit = 0



▲1: IICSn register = 1000X110B

▲2: IICSn register = 1000X000B (WTIMn bit = 1)

▲3: IICSn register = 1000XX00B (WTIMn bit = 0)

▲4: IICSn register = 01000000B (Example: When ALDn bit is read during interrupt servicing)

Δ5: IICSn register = 00000001B

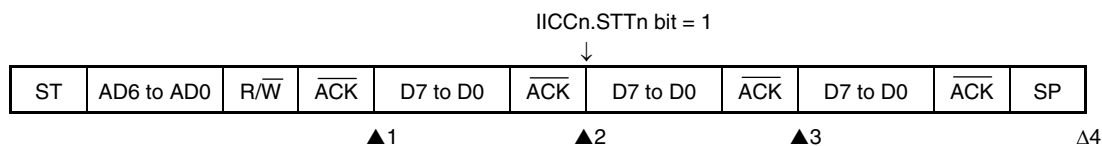
Remarks 1. ▲: Always generated

Δ: Generated only when SPIEn bit = 1

X: don't care

2. n = 0 to 2

<2> When WTIMn bit = 1



▲1: IICSn register = 1000X110B

▲2: IICSn register = 1000XX00B

▲3: IICSn register = 01000100B (Example: When ALDn bit is read during interrupt servicing)

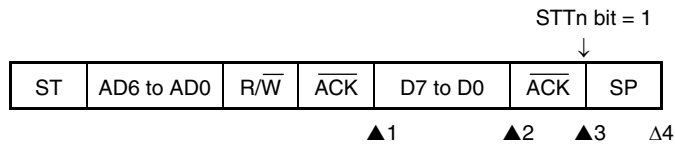
Δ4: IICSn register = 00000001B

Remarks 1. ▲: Always generated

Δ: Generated only when SPIEn bit = 1

X: don't care

2. n = 0 to 2

(7) When arbitration loss occurs due to a stop condition when attempting to generate a restart condition**<1> When WTIMn bit = 0**

▲1: IICSn register = 1000X110B

▲2: IICSn register = 1000X000B (WTIMn bit = 1)

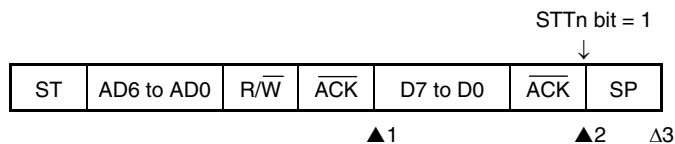
▲3: IICSn register = 1000XX00B

Δ4: IICSn register = 01000001B

Remarks 1. ▲: Always generated

Δ: Generated only when SPIEn bit = 1

X: don't care

2. n = 0 to 2**<2> When WTIMn bit = 1**

▲1: IICSn register = 1000X110B

▲2: IICSn register = 1000XX00B

Δ3: IICSn register = 01000001B

Remarks 1. ▲: Always generated

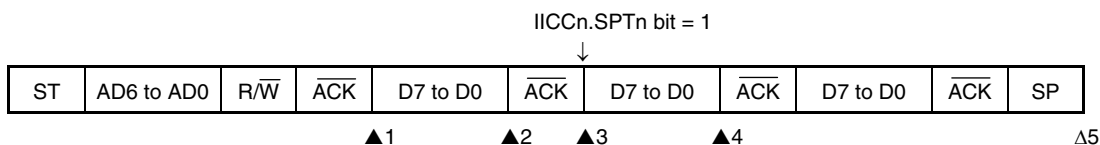
Δ: Generated only when SPIEn bit = 1

X: don't care

2. n = 0 to 2

(8) When arbitration loss occurs due to low level of SDA0n pin when attempting to generate a stop condition

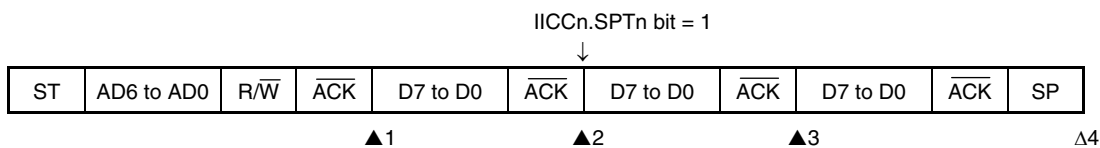
<1> When WTIMn bit = 0



- ▲1: IICSn register = 1000X110B
- ▲2: IICSn register = 1000X000B (WTIMn bit = 1)
- ▲3: IICSn register = 1000XX00B (WTIMn bit = 0)
- ▲4: IICSn register = 01000000B (Example: When ALDn bit is read during interrupt servicing)
- Δ5: IICSn register = 00000001B

Remarks 1. ▲: Always generated
 Δ: Generated only when SPIEn bit = 1
 X: don't care
 2. n = 0 to 2

<2> When WTIMn bit = 1



- ▲1: IICSn register = 1000X110B
- ▲2: IICSn register = 1000XX00B
- ▲3: IICSn register = 01000000B (Example: When ALDn bit is read during interrupt servicing)
- Δ4: IICSn register = 00000001B

Remarks 1. ▲: Always generated
 Δ: Generated only when SPIEn bit = 1
 X: don't care
 2. n = 0 to 2

19.8 Interrupt Request Signal (INTIICn) Generation Timing and Wait Control

The setting of the IICn.WTIMn bit determines the timing by which the INTIICn register is generated and the corresponding wait control, as shown below (n = 0 to 2).

Table 19-3. INTIICn Generation Timing and Wait Control

WTIMn Bit	During Slave Device Operation			During Master Device Operation		
	Address	Data Reception	Data Transmission	Address	Data Reception	Data Transmission
0	g ^{Notes 1, 2}	g ^{Note 2}	g ^{Note 2}	9	8	8
1	g ^{Notes 1, 2}	g ^{Note 2}	g ^{Note 2}	9	9	9

- Notes 1.** The slave device's INTIICn signal and wait period occur at the falling edge of the ninth clock only when there is a match with the address set to the SVAn register.
At this point, \overline{ACK} is generated regardless of the value set to the IICn.ACKEn bit. For a slave device that has received an extension code, the INTIICn signal occurs at the falling edge of the eighth clock.
When the address does not match after restart, the INTIICn signal is generated at the falling edge of the ninth clock, but no wait occurs.
- 2.** If the received address does not match the contents of the SVAn register and an extension code is not received, neither the INTIICn signal nor a wait occurs.

- Remarks 1.** The numbers in the table indicate the number of the serial clock's clock signals. Interrupt requests and wait control are both synchronized with the falling edge of these clock signals.
- 2.** n = 0 to 2

(1) During address transmission/reception

- Slave device operation: Interrupt and wait timing is determined in accordance with the conditions shown in notes 1 and 2 above regardless of the WTIMn bit setting.
- Master device operation: Interrupt and wait timing occurs at the falling edge of the ninth clock regardless of the WTIMn bit setting.

(2) During data reception

- Master/slave device operation: Interrupt and wait timing is determined according to the WTIMn bit setting.

(3) During data transmission

- Master/slave device operation: Interrupt and wait timing is determined according to the WTIMn bit setting.

(4) Wait cancellation method

The following four wait cancellation methods are available.

- By setting the IICn.WRELn bit to 1
- By writing to the IICn register
- By setting start condition (IICn.STTn bit = 1)^{Note}
- By setting stop condition (IICn.SPTn bit = 1)^{Note}

Note Master only

When an 8-clock wait has been selected (WTIMn bit = 0), whether or not $\overline{\text{ACK}}$ has been generated must be determined prior to wait cancellation.

Remark n = 0 to 2

(5) Stop condition detection

The INTIICn signal is generated when a stop condition is detected.

Remark n = 0 to 2

19.9 Address Match Detection Method

In I²C bus mode, the master device can select a particular slave device by transmitting the corresponding slave address.

Address match detection is performed automatically by hardware. The INTIICn signal occurs when a local address has been set to the SVAn register and when the address set to the SVAn register matches the slave address sent by the master device, or when an extension code has been received (n = 0 to 2).

19.10 Error Detection

In I²C bus mode, the status of the serial data bus pin (SDA0n) during data transmission is captured by the IICn register of the transmitting device, so the data of the IICn register prior to transmission can be compared with the transmitted IICn data to enable detection of transmission errors. A transmission error is judged as having occurred when the compared data values do not match (n = 0 to 2).

19.11 Extension Code

- (1) When the higher 4 bits of the receive address are either 0000 or 1111, the extension code flag (IICSn.EXCn bit) is set for extension code reception and an interrupt request signal (INTIICn) is issued at the falling edge of the eighth clock (n = 0 to 2).

The local address stored in the SVAn register is not affected.

- (2) If 11110xx0 is set to the SVAn register by a 10-bit address transfer and 11110xx0 is transferred from the master device, the results are as follows. Note that the INTIICn signal occurs at the falling edge of the eighth clock (n = 0 to 2)

- Higher 4 bits of data match: EXCn bit = 1
- 7 bits of data match: IICSn.COIn bit = 1

- (3) Since the processing after the interrupt request signal occurs differs according to the data that follows the extension code, such processing is performed by software.

For example, when operation as a slave is not desired after the extension code is received, set the IICn.LRELn bit to 1 and the CPU will enter the next communication wait state.

Table 19-4. Extension Code Bit Definitions

Slave Address	R/W Bit	Description
0000 000	0	General call address
0000 000	1	Start byte
0000 001	X	CBUS address
0000 010	X	Address that is reserved for different bus format
1111 0xx	X	10-bit slave address specification

19.12 Arbitration

When several master devices simultaneously generate a start condition (when the IICn.STTn bit is set to 1 before the IICn.STDn bit is set to 1), communication between the master devices is performed while the number of clocks is adjusted until the data differs. This kind of operation is called arbitration (n = 0 to 2).

When one of the master devices loses in arbitration, an arbitration loss flag (IICn.ALDn bit) is set to 1 at the timing at which the arbitration loss occurred, and the SCL0n and SDA0n lines are both set to high impedance, which releases the bus (n = 0 to 2).

Arbitration loss is detected based on the timing of the next interrupt request signal (INTIICn) (the eighth or ninth clock, when a stop condition is detected, etc.) and the setting of the ALDn bit to 1, which is made by software (n = 0 to 2).

For details of interrupt request timing, see 19.7 I²C Interrupt Request Signals (INTIICn).

Figure 19-14. Arbitration Timing Example

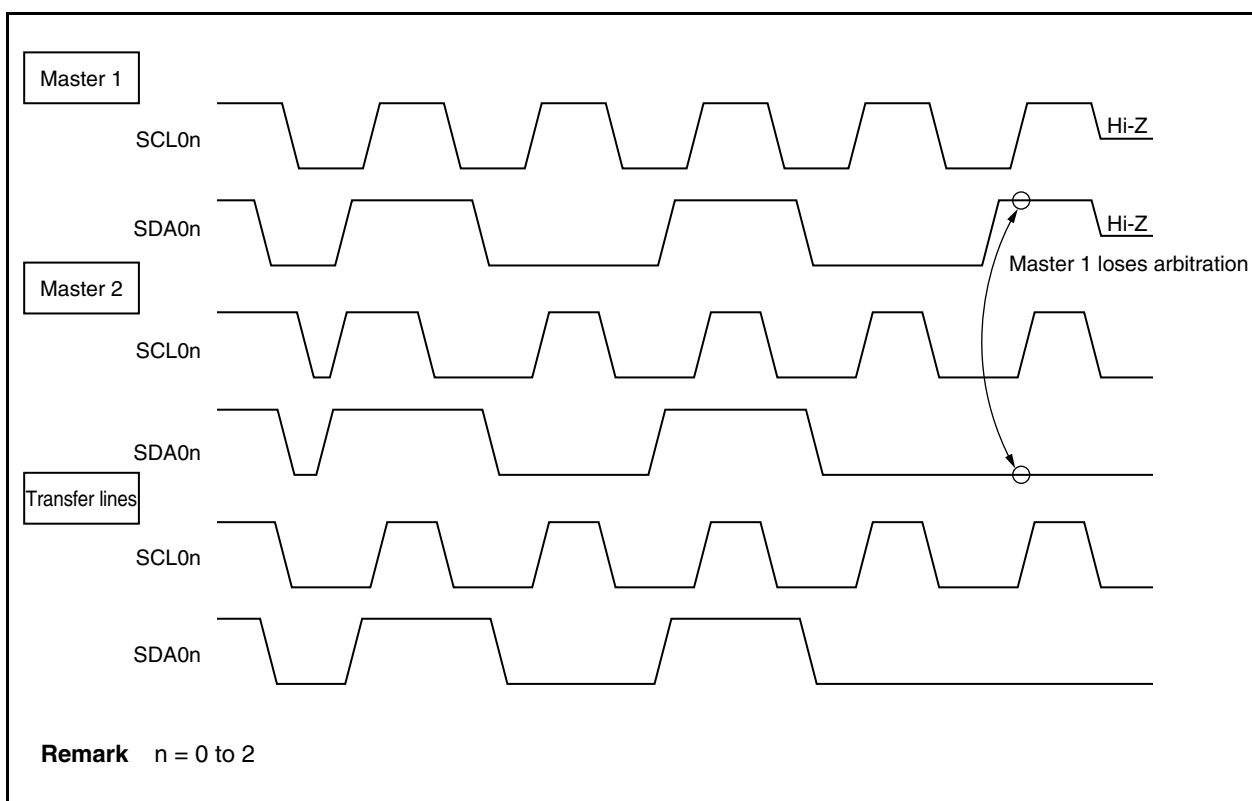


Table 19-5. Status During Arbitration and Interrupt Request Signal Generation Timing

Status During Arbitration	Interrupt Request Generation Timing
Transmitting address transmission	At falling edge of eighth or ninth clock following byte transfer ^{Note 1}
Read/write data after address transmission	
Transmitting extension code	
Read/write data after extension code transmission	
Transmitting data	
ACK transfer period after data reception	
When restart condition is detected during data transfer	
When stop condition is detected during data transfer	When stop condition is generated (when IICn.SPIEn bit = 1) ^{Note 2}
When SDA0n pin is low level while attempting to generate restart condition	At falling edge of eighth or ninth clock following byte transfer ^{Note 1}
When stop condition is detected while attempting to generate restart condition	When stop condition is generated (when IICn.SPIEn bit = 1) ^{Note 2}
When DSA0n pin is low level while attempting to generate stop condition	At falling edge of eighth or ninth clock following byte transfer ^{Note 1}
When SCL0n pin is low level while attempting to generate restart condition	

- Notes 1.** When the IICn.WTIMn bit = 1, an INTIICn signal occurs at the falling edge of the ninth clock. When the WTIMn bit = 0 and the extension code's slave address is received, an INTIICn signal occurs at the falling edge of the eighth clock (n = 0 to 2).
- 2.** When there is a possibility that arbitration will occur, set the SPIEn bit to 1 for master device operation (n = 0 to 2).

19.13 Wakeup Function

The I²C bus slave function is a function that generates an interrupt request signal (INTIICn) when a local address and extension code have been received.

This function makes processing more efficient by preventing unnecessary INTIICn signals from occurring when addresses do not match.

When a start condition is detected, wakeup standby mode is set. This wakeup standby mode is in effect while addresses are transmitted due to the possibility that an arbitration loss may change the master device (which has generated a start condition) to a slave device.

However, when a stop condition is detected, the IICn.SPIEn bit is set regardless of the wakeup function, and this determines whether INTIICn signal is enabled or disabled (n = 0 to 2).

19.14 Communication Reservation

19.14.1 When communication reservation function is enabled (IICFn.IICRSVn bit = 0)

To start master device communications when the V850ES/JG3-L is not currently using the bus, a communication reservation can be made to enable transmission of a start condition when the bus is released. There are two modes in which the bus is not used by the V850ES/JG3-L.

- When arbitration results in the V850ES/JG3-L being neither the master nor a slave
- When an extension code is received and slave operation is disabled (\overline{ACK} is not returned and the bus was released when the IICn.LRELn bit was set to 1) (n = 0 to 2).

If the IICn.STTn bit is set to 1 while the bus is not used by the V850ES/JG3-L, a start condition is automatically generated and a wait status is set after the bus is released (after a stop condition is detected).

When the bus release is detected (when a stop condition is detected), writing to the IICn register causes master address transfer to start. At this point, the IICn.SPIEn bit should be set to 1 (n = 0 to 2).

When STTn has been set to 1, the operation mode (as start condition or as communication reservation) is determined according to the bus status (n = 0 to 2).

If the bus has been releasedA start condition is generated

If the bus has not been released (standby mode).....Communication reservation

To detect which operation mode has been determined for the STTn bit, set the STTn bit to 1, wait for the wait period, then check the IICSn.MSTS_n bit (n = 0 to 2).

The wait periods, which should be set via software, are listed in Table 19-6. These wait periods can be set by using the SMCn, CLn1, and CLn0 bits of the IICCLn register and the IICXn.CLXn bit (n = 0 to 2).

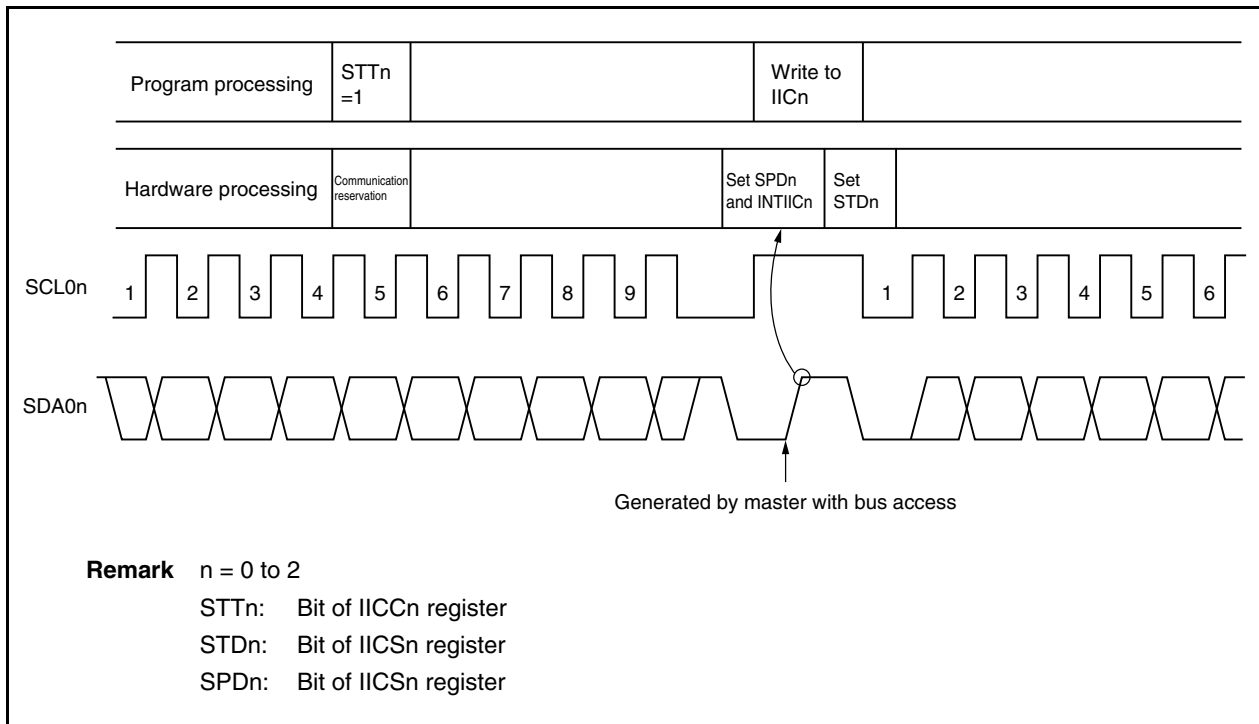
Table 19-6. Wait Periods

Clock Selection	CLXn	SMCn	CLn1	CLn0	Wait Period
f _{xx} (when OCKSm = 18H set)	0	0	0	0	26 clocks
f _{xx} /2 (when OCKSm = 10H set)	0	0	0	0	52 clocks
f _{xx} /3 (when OCKSm = 11H set)	0	0	0	0	78 clocks
f _{xx} /4 (when OCKSm = 12H set)	0	0	0	0	104 clocks
f _{xx} /5 (when OCKSm = 13H set)	0	0	0	0	130 clocks
f _{xx} (when OCKSm = 18H set)	0	0	0	1	47 clocks
f _{xx} /2 (when OCKSm = 10H set)	0	0	0	1	94 clocks
f _{xx} /3 (when OCKSm = 11H set)	0	0	0	1	141 clocks
f _{xx} /4 (when OCKSm = 12H set)	0	0	0	1	188 clocks
f _{xx}	0	0	1	0	47 clocks
f _{xx} (when OCKSm = 18H set)	0	0	1	1	37 clocks
f _{xx} /2 (when OCKSm = 10H set)	0	0	1	1	74 clocks
f _{xx} /3 (when OCKSm = 11H set)	0	0	1	1	111 clocks
f _{xx} (when OCKSm = 18H set)	0	1	0	×	16 clocks
f _{xx} /2 (when OCKSm = 10H set)	0	1	0	×	32 clocks
f _{xx} /3 (when OCKSm = 11H set)	0	1	0	×	48 clocks
f _{xx} /4 (when OCKSm = 12H set)	0	1	0	×	64 clocks
f _{xx}	0	1	1	0	16 clocks
f _{xx} (when OCKSm = 18H set)	0	1	1	1	13 clocks
f _{xx} /2 (when OCKSm = 10H set)	0	1	1	1	26 clocks
f _{xx} /3 (when OCKSm = 11H set)	0	1	1	1	39 clocks
f _{xx} (when OCKSm = 18H set)	1	1	0	×	10 clocks
f _{xx} /2 (when OCKSm = 10H set)	1	1	0	×	20 clocks
f _{xx} /3 (when OCKSm = 11H set)	1	1	0	×	30 clocks
f _{xx} /4 (when OCKSm = 12H set)	1	1	0	×	40 clocks
f _{xx} /5 (when OCKSm = 13H set)	1	1	0	×	50 clocks
f _{xx}	1	1	1	0	10 clocks

- Remarks**
1. n = 0 to 2
m = 0, 1
 2. × = don't care

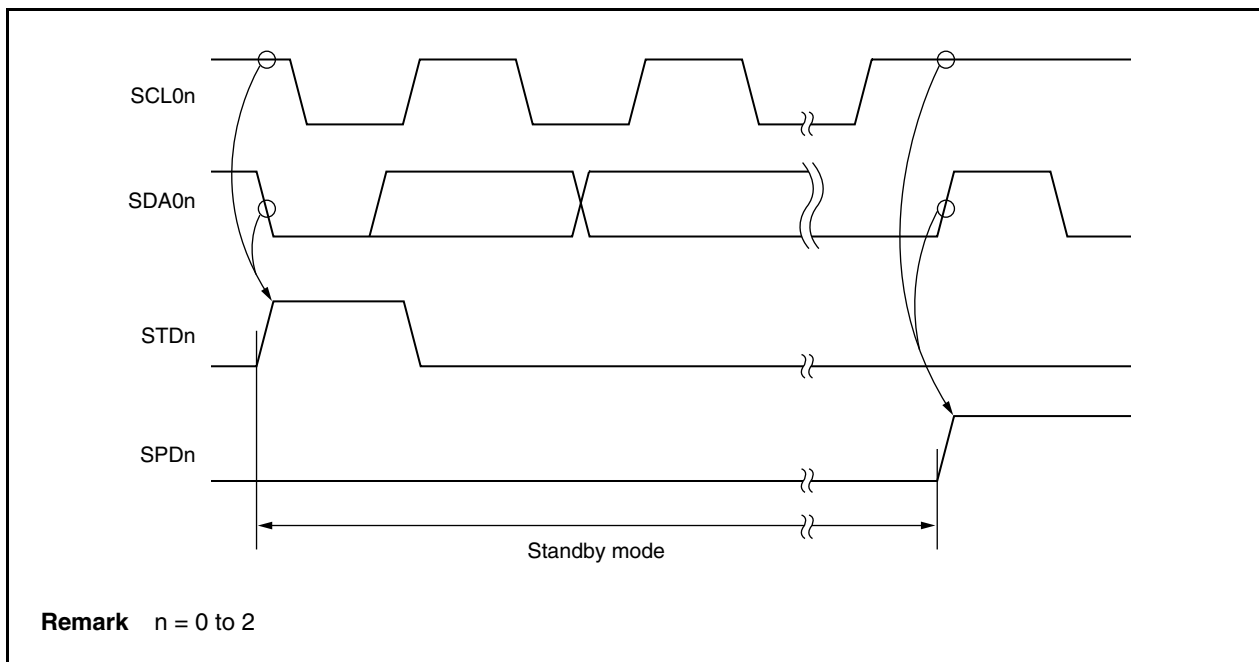
The communication reservation timing is shown below.

Figure 19-15. Communication Reservation Timing



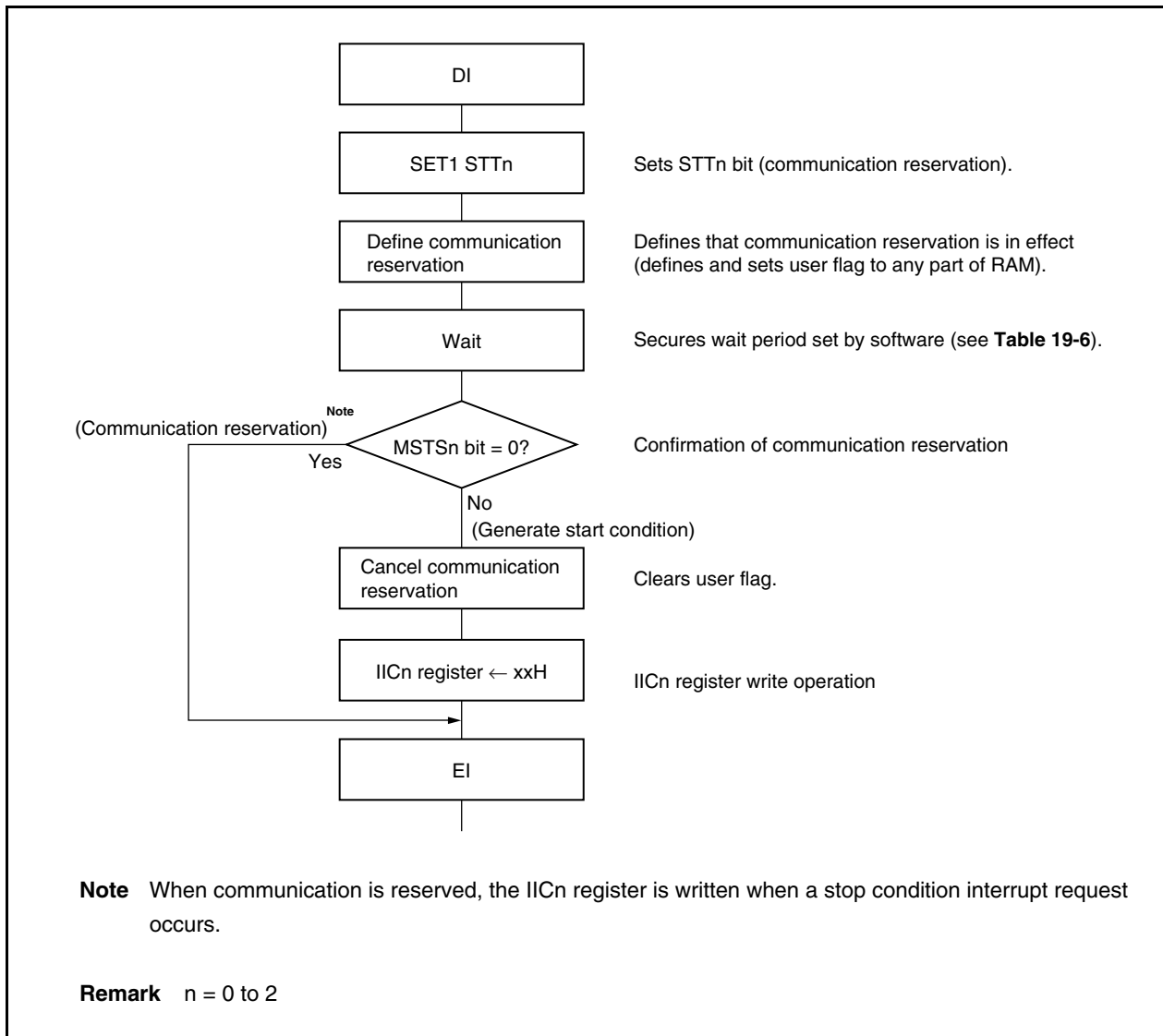
Communication reservations are accepted at the following timing. After the IICSn.STDn bit is set to 1, a communication reservation can be made by setting the IICn.STTn bit to 1 before a stop condition is detected (n = 0 to 2).

Figure 19-16. Timing for Accepting Communication Reservations



The communication reservation flowchart is illustrated below.

Figure 19-17. Communication Reservation Flowchart



19.14.2 When communication reservation function is disabled (IICFn.IICRSVn bit = 1)

If the IICn.STTn bit is set when the bus is not being used by the V850ES/JG3-L in a bus communication, this request is rejected and a start condition is not generated. There are two modes in which the bus is not used by the V850ES/JG3-L.

- When arbitration results in the V850ES/JG3-L being neither the master nor a slave
- When an extension code is received and slave operation is disabled (\overline{ACK} is not returned and the bus was released when the IICn.LRELn bit was set to 1) (n = 0 to 2).

To confirm whether the start condition was generated or request was rejected, check the IICFn.STCFn flag. The time shown in Table 19-7 is required until the STCFn flag is set after setting the STTn bit to 1. Therefore, secure the time by software.

Table 19-7. Wait Periods

OCKSENm	OCKSm1	OCKSm0	CLn1	CLn0	Wait Period
1	0	0	0	×	10 clocks
1	0	1	0	×	15 clocks
1	1	0	0	×	20 clocks
1	1	1	0	×	25 clocks
0	0	0	1	0	5 clocks

- Remarks**
1. ×: don't care
 2. n = 0 to 2
m = 0, 1

19.15 Cautions

- (1) When IICFn.STCENn bit = 0

Immediately after the I²C0n operation is enabled, the bus communication status (IICFn.IICBSYn bit = 1) is recognized regardless of the actual bus status. To execute master communication in the status where a stop condition has not been detected, generate a stop condition and then release the bus before starting the master communication.

Use the following sequence for generating a stop condition.

<1> Set the IICCLn register.

<2> Set the IICn.IICEn bit.

<3> Set the IICn.SPTn bit.

- (2) When IICFn.STCENn bit = 1

Immediately after I²C0n operation is enabled, the bus released status (IICBSYn bit = 0) is recognized regardless of the actual bus status. To generate the first start condition (IICn.STTn bit = 1), it is necessary to confirm that the bus has been released, so as to not disturb other communications.

- (3) When the IICn.IICEn bit of the V850ES/JG3-L is set to 1 while communications with other devices are in progress, the start condition may be detected depending on the status of the communication line. Be sure to set the IICn.IICEn bit to 1 when the SCL0n and SDA0n lines are high level.

- (4) Determine the operation clock frequency by the IICCLn, IICXn, and OCKSm registers before enabling the operation (IICn.IICEn bit = 1). To change the operation clock frequency, clear the IICn.IICEn bit to 0 once.

- (5) After the IICn.STTn and IICn.SPTn bits have been set to 1, they must not be re-set without being cleared to 0 first.

- (6) If transmission has been reserved, set the IICn.SPIEn bit to 1 so that an interrupt request is generated by the detection of a stop condition. After an interrupt request has been generated, the wait status will be released by writing communication data to I²Cn, then transferring will begin. If an interrupt is not generated by the detection of a stop condition, transmission will halt in the wait status because an interrupt request was not generated. However, it is not necessary to set the SPIEn bit to 1 for the software to detect the IICn.MSTS bit.

Remark n = 0 to 2
m = 0, 1

19.16 Communication Operations

Next the following three operations are shown using flowcharts.

(1) Master operation in single master system

The flowchart when using the V850ES/JG3-L as the master in a single master system is shown below.

This flowchart is broadly divided into the initial settings and communication processing. Execute the initial settings at startup. If communication with the slave is required, prepare the communication and then execute communication processing.

(2) Master operation in multimaster system

In the I²C_{0n} bus multimaster system, whether the bus is released or used cannot be judged by the I²C bus specifications when the bus takes part in a communication. Here, when data and clock are at a high level for a certain period (1 frame), the V850ES/JG3-L takes part in a communication with bus released state.

This flowchart is broadly divided into the initial settings, communication waiting, and communication processing. The processing when the V850ES/JG3-L loses in arbitration and is specified as the slave is omitted here, and only the processing as the master is shown. Execute the initial settings at startup to take part in a communication. Then, wait for the communication request as the master or wait for the specification as the slave. The actual communication is performed in the communication processing, and it supports the transmission/reception with the slave and the arbitration with other masters.

(3) Slave operation

An example of when the V850ES/JG3-L is used as the slave of the I²C_{0n} bus is shown below.

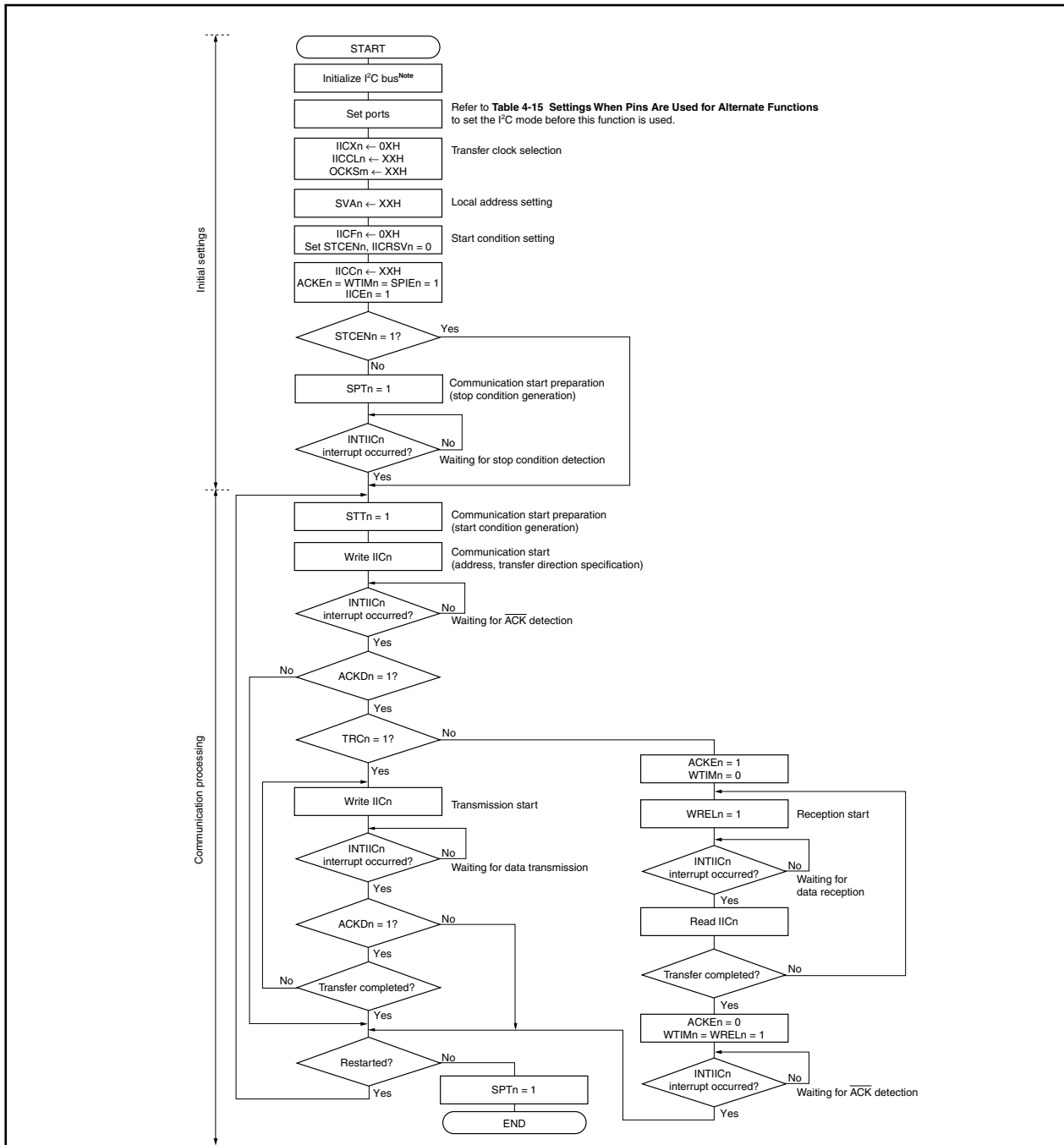
When used as the slave, operation is started by an interrupt. Execute the initial settings at startup, then wait for the INTIIC_n interrupt occurrence (communication waiting). When the INTIIC_n interrupt occurs, the communication status is judged and its result is passed as a flag over to the main processing.

By checking the flags, necessary communication processing is performed.

Remark n = 0 to 2

19.16.1 Master operation in single master system

Figure 19-18. Master Operation in Single Master System



Note Release the I²C_{0n} bus (SCL_{0n}, SDA_{0n} pins = high level) in compliance with the specifications of the product involved in the communication.
 For example, when the EEPROM™ outputs a low level to the SDA_{0n} pin, set the SCL_{0n} pin as an output pin and output clock pulses from that output pin until the SDA_{0n} pin is constantly high level.

- Remarks 1.** For the transmission and reception formats, conform to the specifications of the product involved in the communication.
2. n = 0 to 2, m = 0, 1

19.16.2 Master operation in multimaster system

Figure 19-19. Master Operation in Multimaster System (1/3)

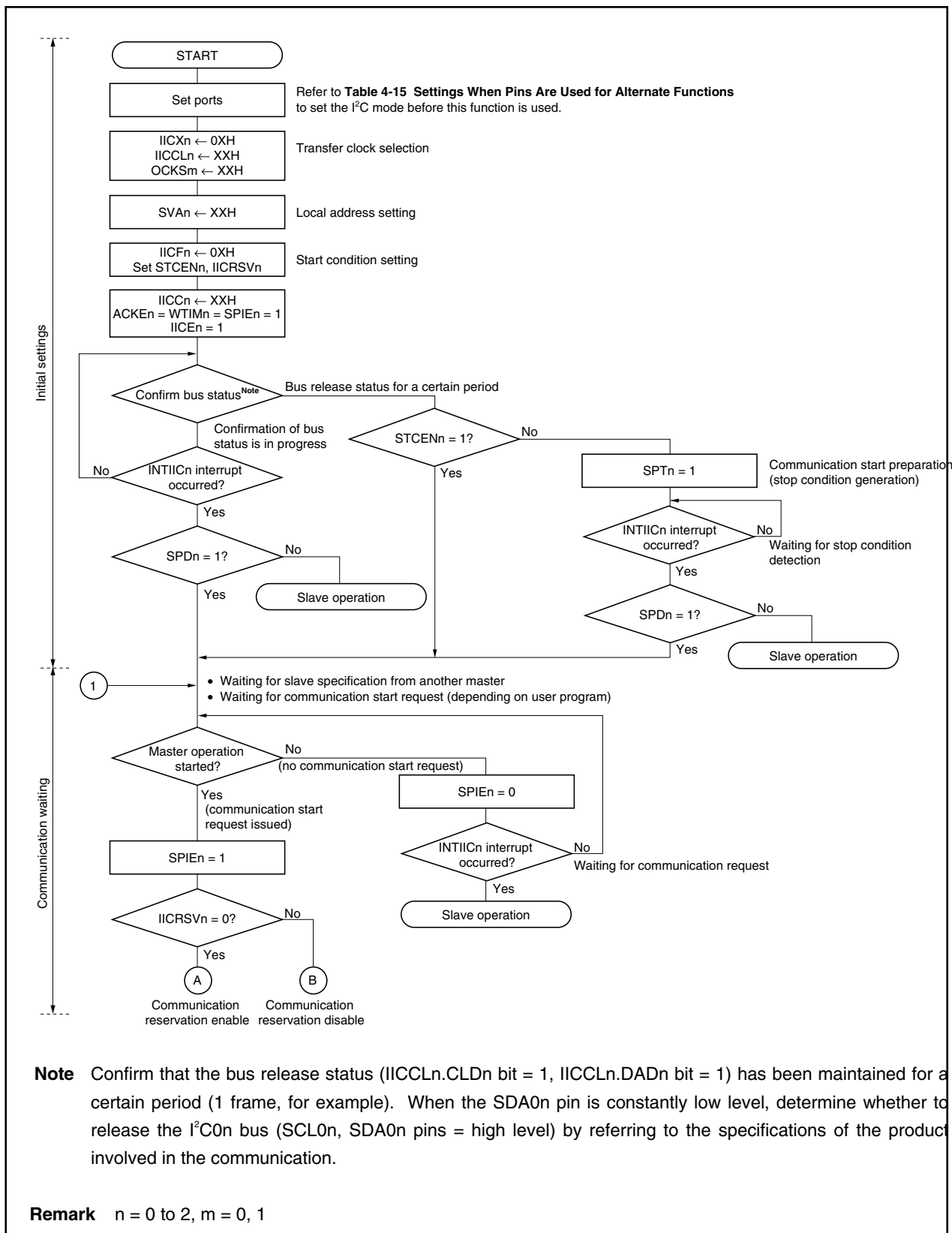


Figure 19-19. Master Operation in Multimaster System (2/3)

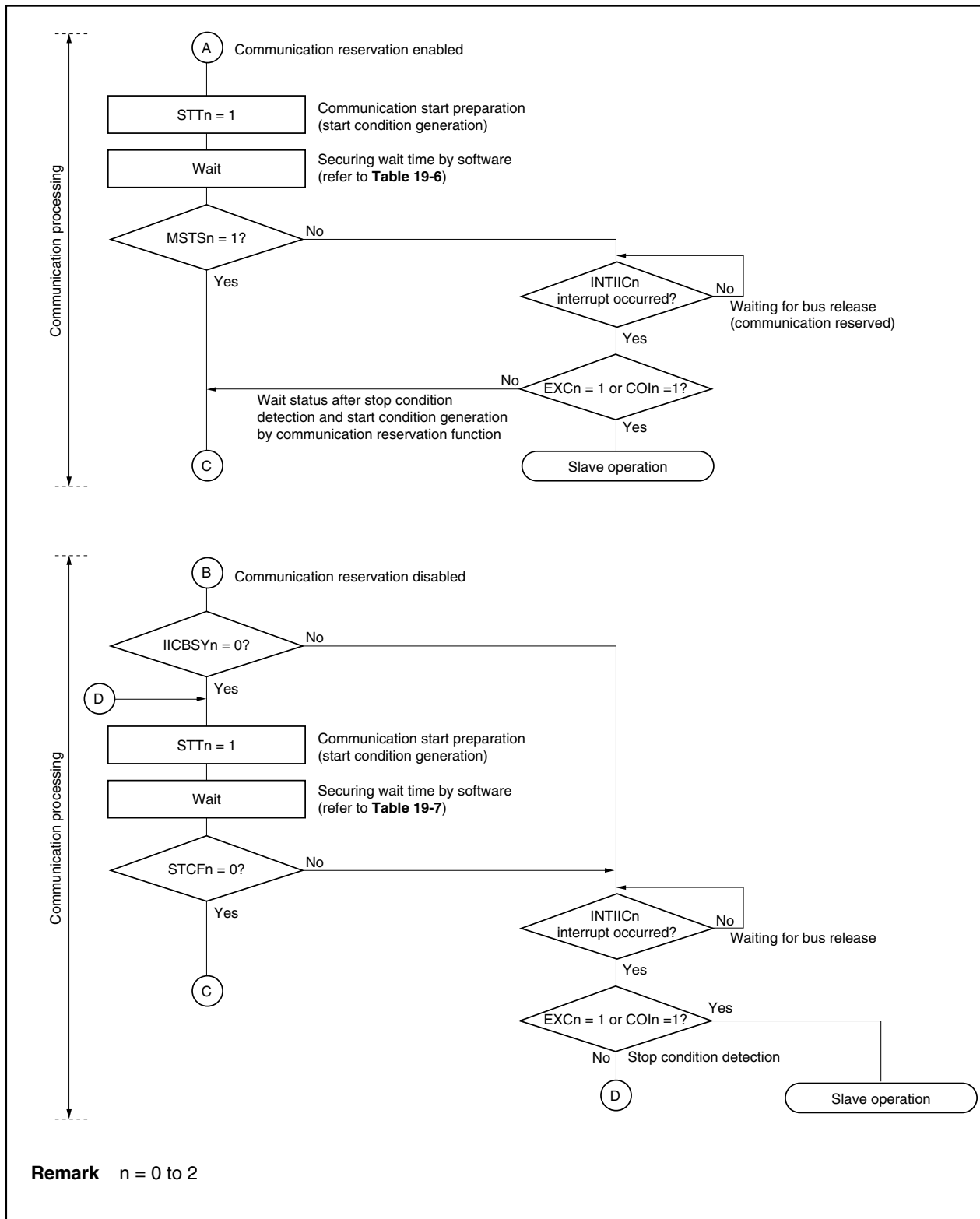
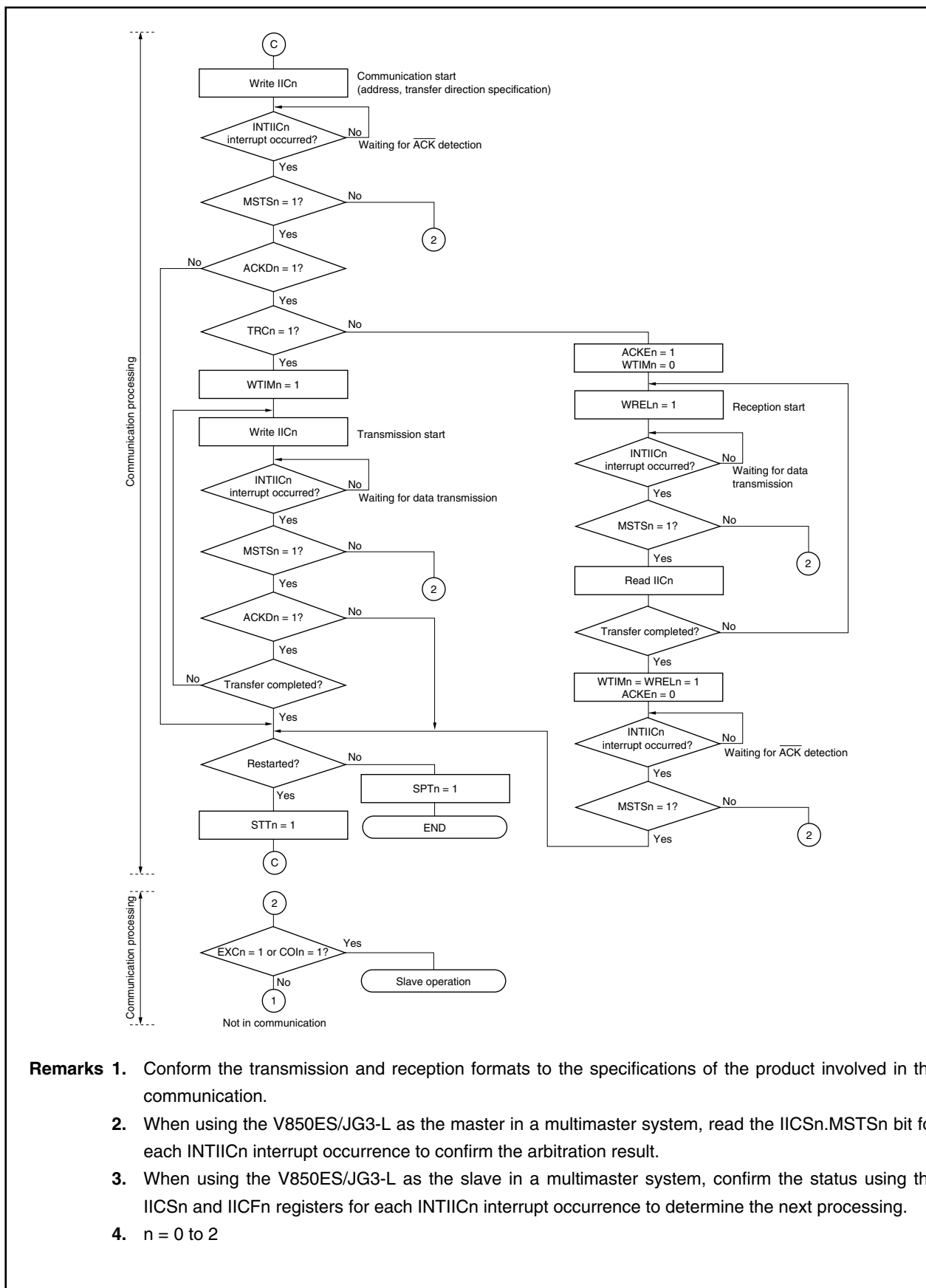


Figure 19-19. Master Operation in Multimaster System (3/3)



- Remarks**
1. Conform the transmission and reception formats to the specifications of the product involved in the communication.
 2. When using the V850ES/JG3-L as the master in a multimaster system, read the IICSn.MSTSn bit for each INTIICn interrupt occurrence to confirm the arbitration result.
 3. When using the V850ES/JG3-L as the slave in a multimaster system, confirm the status using the IICSn and IICFn registers for each INTIICn interrupt occurrence to determine the next processing.
 4. n = 0 to 2

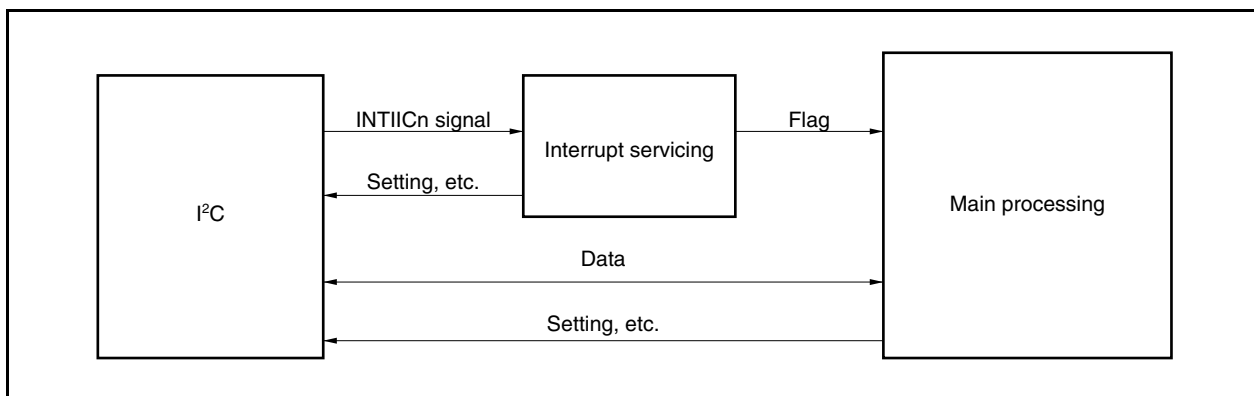
19.16.3 Slave operation

The following shows the processing procedure of the slave operation.

Basically, the operation of the slave device is event-driven. Therefore, processing by an INTIICn interrupt (processing requiring a significant change of the operation status, such as stop condition detection during communication) is necessary.

The following description assumes that data communication does not support extension codes. Also, it is assumed that the INTIICn interrupt servicing performs only status change processing and that the actual data communication is passing during the main processing.

Figure 19-20. Outline of Software During Slave Operation



Therefore, the following three flags are prepared so that the data transfer processing can be performed by passing these flags to the main processing instead of INTIICn signal.

(1) Communication mode flag

This flag indicates the following communication statuses.

Clear mode: Data communication not in progress

Communication mode: Data communication in progress (valid address detection stop condition detection, $\overline{\text{ACK}}$ from master not detected, address mismatch)

(2) Ready flag

This flag indicates that data communication is enabled. This is the same status as an INTIICn interrupt during normal data transfer. This flag is set in the interrupt processing block and cleared in the main processing block. The ready flag for the first data for transmission is not set in the interrupt processing block, so the first data is transmitted without clear processing (the address match is regarded as a request for the next data).

(3) Communication direction flag

This flag indicates the direction of communication and is the same as the value of IICSn.TRCn bit.

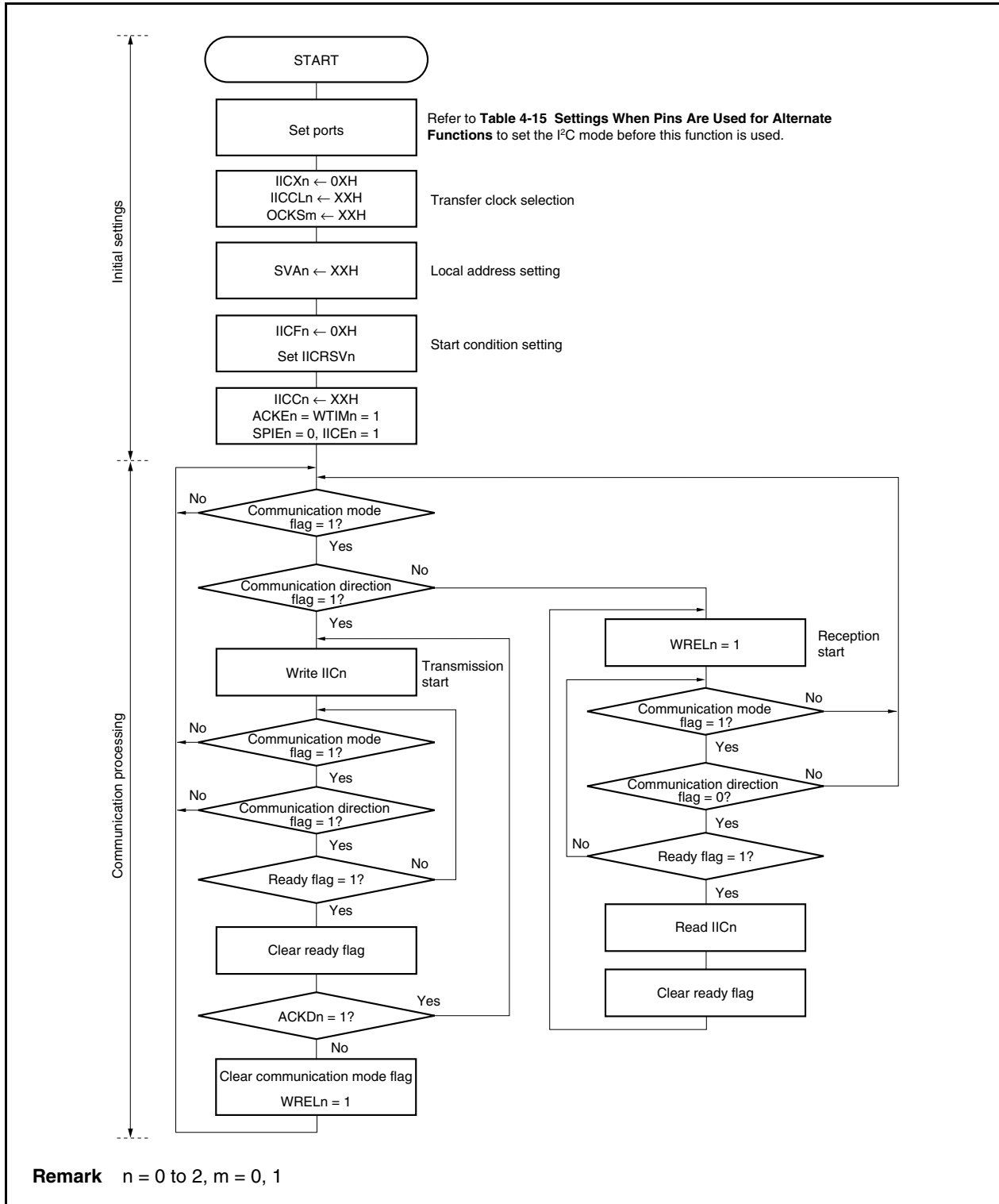
The following shows the operation of the main processing block during slave operation.

I²C0n is started and waits for the communication enabled status. When communication is enabled, transfer is executed using the communication mode flag and ready flag (the processing of the stop condition and start condition is performed by interrupts, conditions are confirmed by flags).

For transmission, transmission is repeated until the master device stops returning $\overline{\text{ACK}}$. When the master device stops returning $\overline{\text{ACK}}$, transfer is complete.

For reception, the required number of data items are received and $\overline{\text{ACK}}$ is not returned for the next data immediately after transfer is complete. After that, the master device generates the stop condition or restart condition. This causes exit from communications.

Figure 19-21. Slave Operation Flowchart (1)

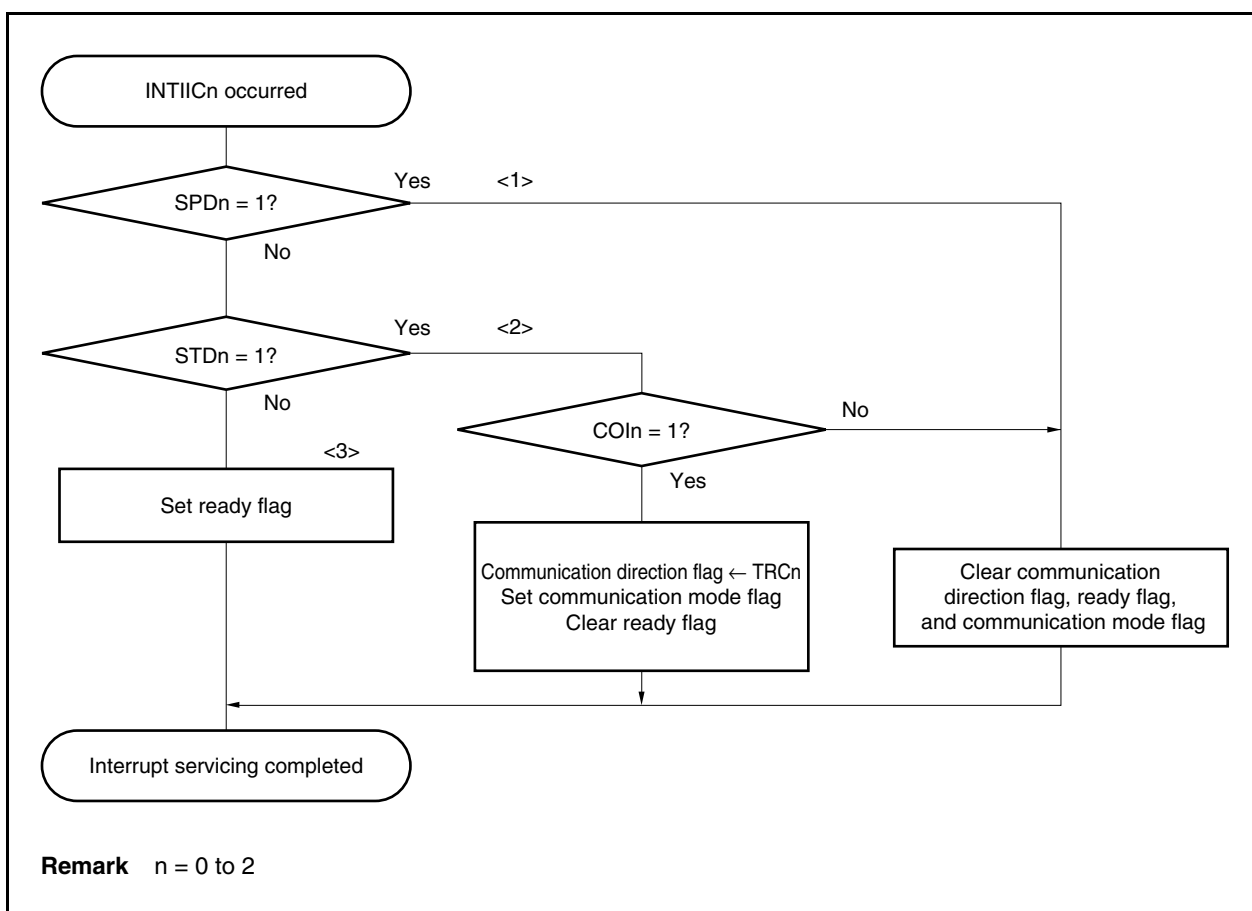


The following shows an example of the processing of the slave device by an INTIICn interrupt (it is assumed that no extension codes are used here). During an INTIICn interrupt, the status is confirmed and the following steps are executed.

- <1> When a stop condition is detected, communication is terminated.
- <2> When a start condition is detected, the address is confirmed. If the address does not match, communication is terminated. If the address matches, the communication mode is set and wait is released, and operation returns from the interrupt (the ready flag is cleared).
- <3> For data transmission/reception, when the ready flag is set, operation returns from the interrupt while the I²C0n bus remains in the wait status.

Remark <1> to <3> above correspond to <1> to <3> in **Figure 19-22 Slave Operation Flowchart (2)**.

Figure 19-22. Slave Operation Flowchart (2)



19.17 Timing of Data Communication

When using I²C bus mode, the master device outputs an address via the serial bus to select one of several slave devices as its communication partner.

After outputting the slave address, the master device transmits the IICSn.TRCn bit value, which specifies the data transfer direction, and then starts serial communication with the slave device.

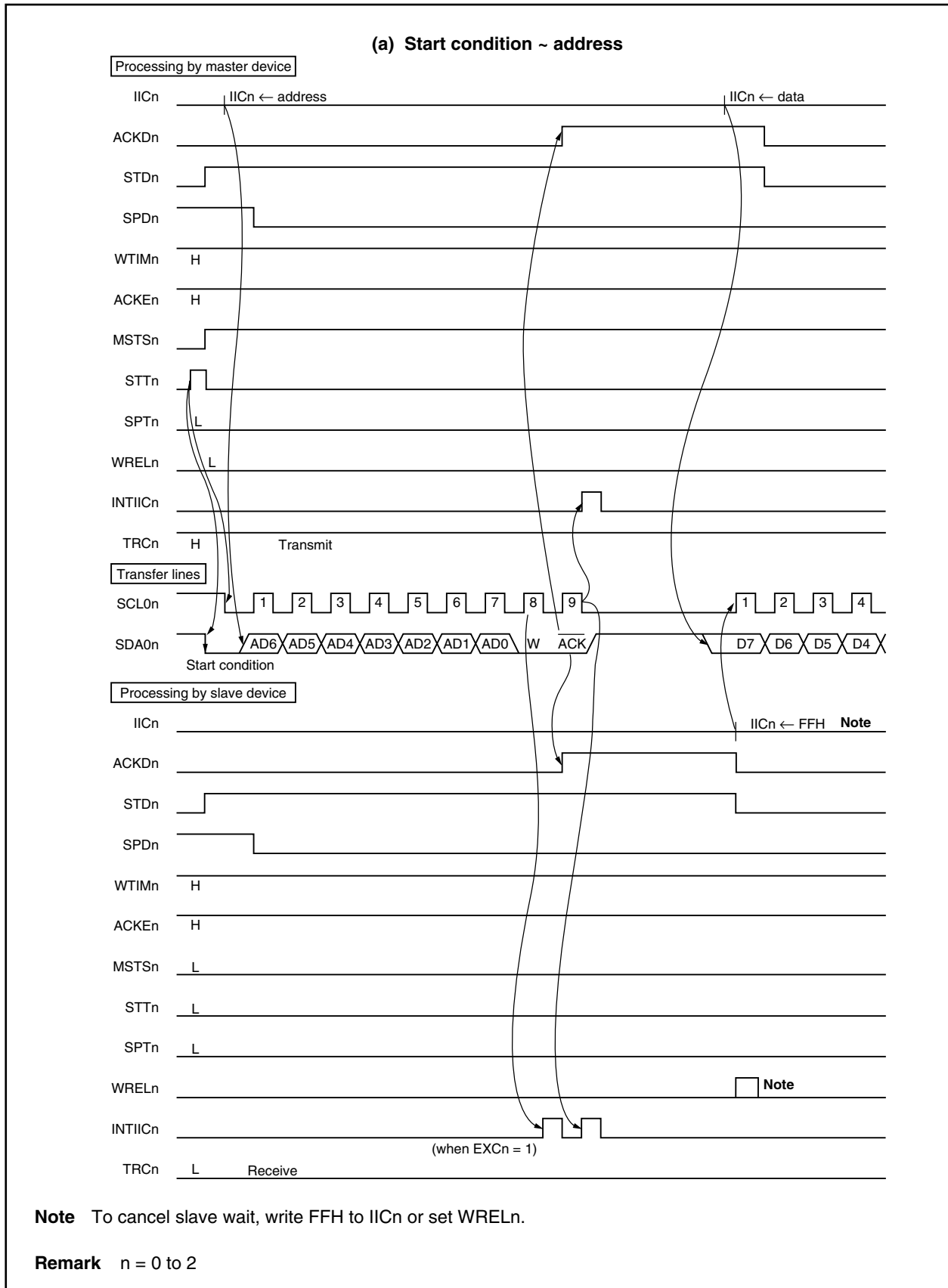
The shift operation of the IICn register is synchronized with the falling edge of the serial clock pin (SCL0n). The transmit data is transferred to the SO latch and is output (MSB first) via the SDA0n pin.

Data that is input via the SDA0n pin is captured by the IICn register at the rising edge of the SCL0n pin.

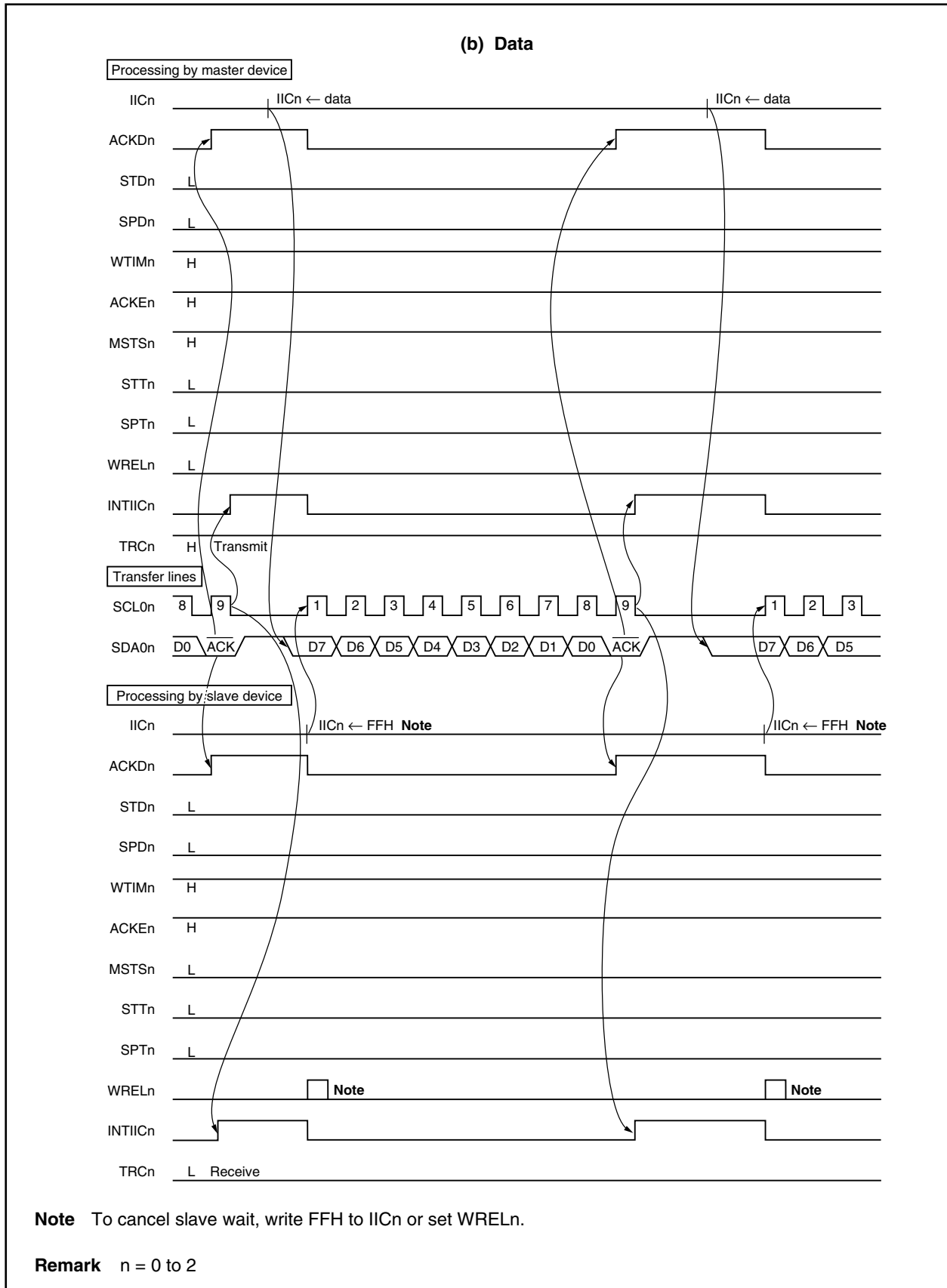
The data communication timing is shown below.

Remark n = 0 to 2

**Figure 19-23. Example of Master to Slave Communication
(When 9-Clock Wait Is Selected for Both Master and Slave) (1/3)**



**Figure 19-23. Example of Master to Slave Communication
(When 9-Clock Wait Is Selected for Both Master and Slave) (2/3)**



**Figure 19-23. Example of Master to Slave Communication
(When 9-Clock Wait Is Selected for Both Master and Slave) (3/3)**

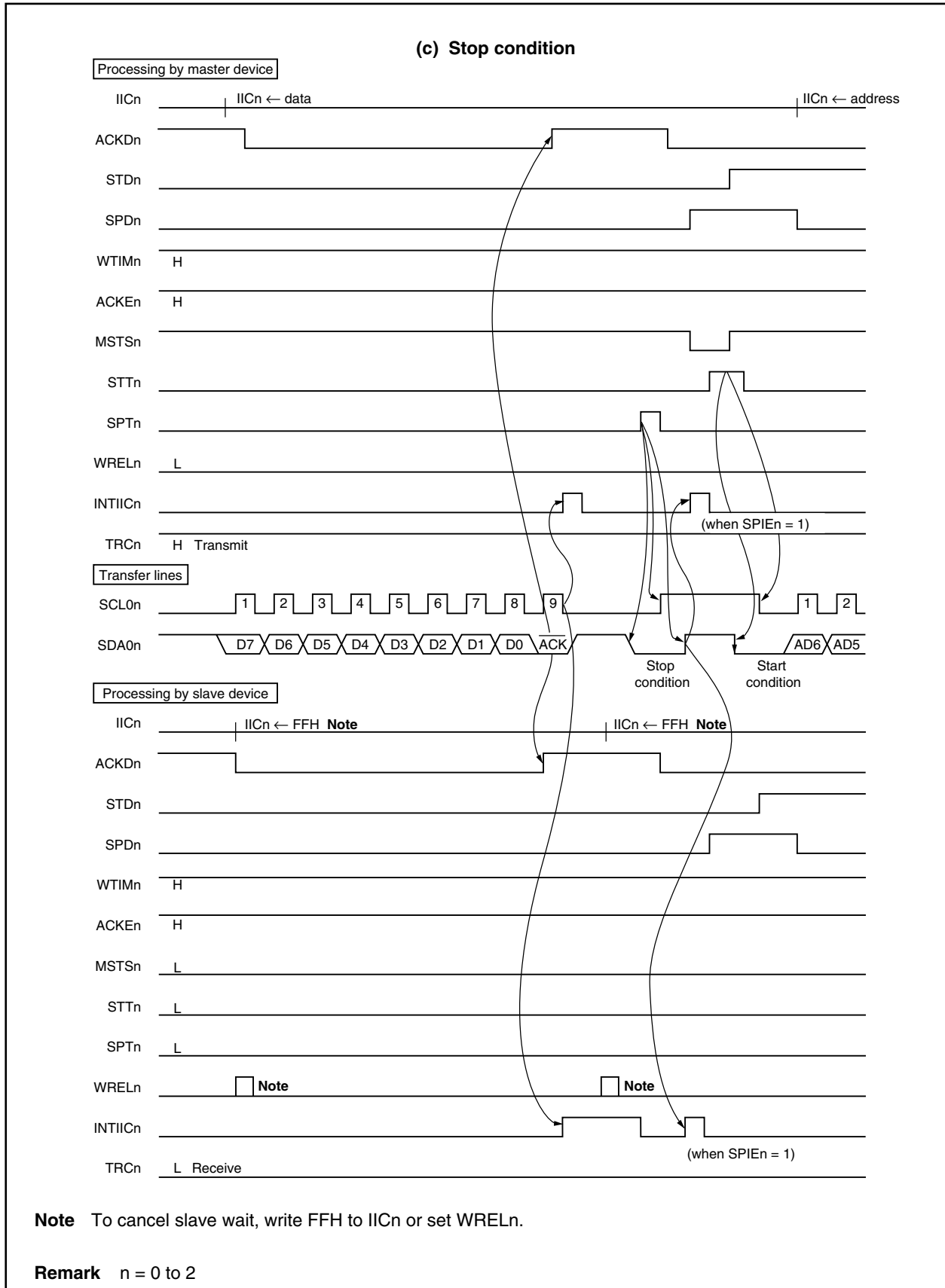


Figure 19-24. Example of Slave to Master Communication
(When 8-Clock Wait Is Selected for Master and 9-Clock Wait Is Selected for Slave) (1/3)

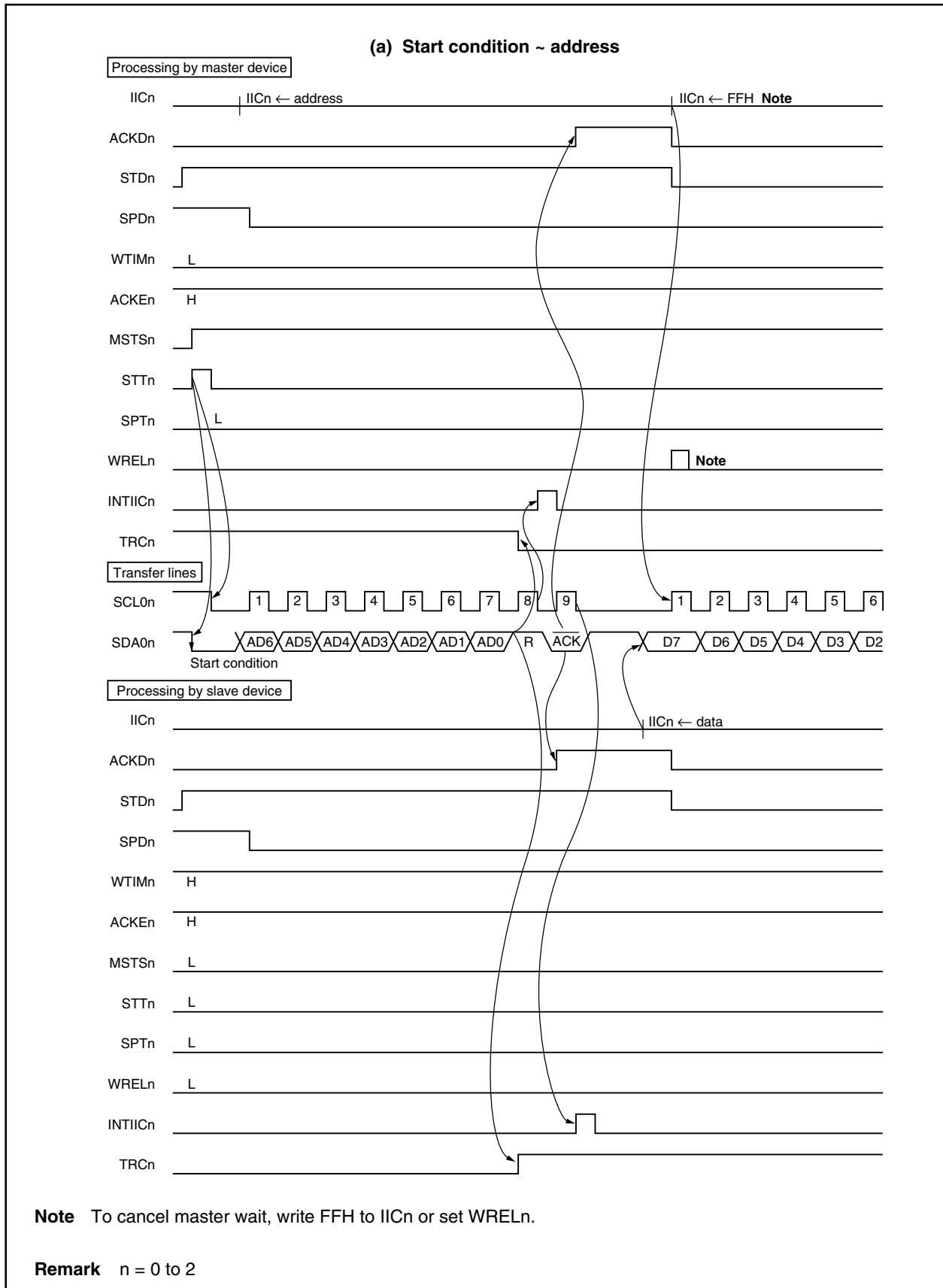


Figure 19-24. Example of Slave to Master Communication
(When 8-Clock Wait Is Selected for Master and 9-Clock Wait Is Selected for Slave (2/3))

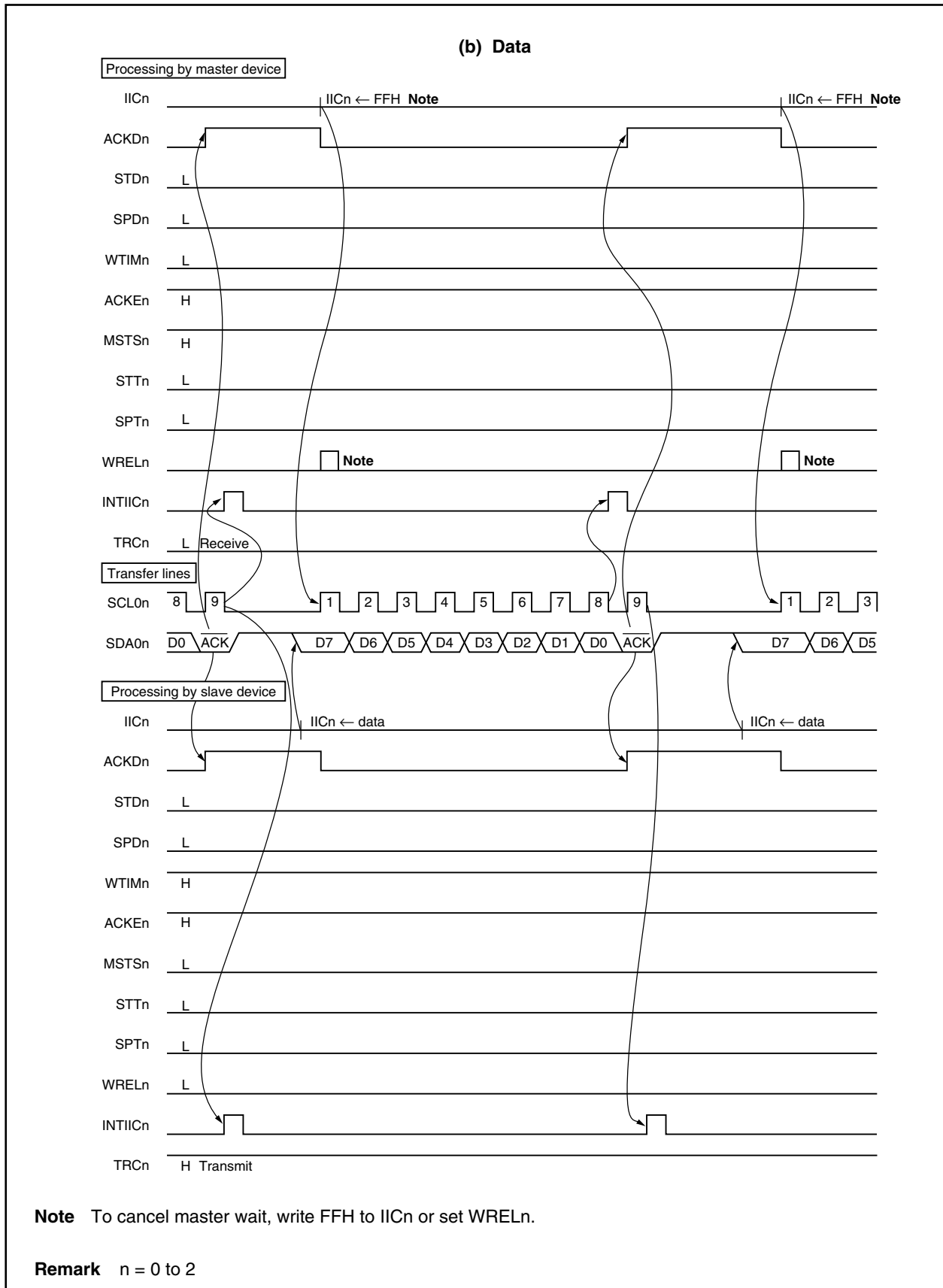
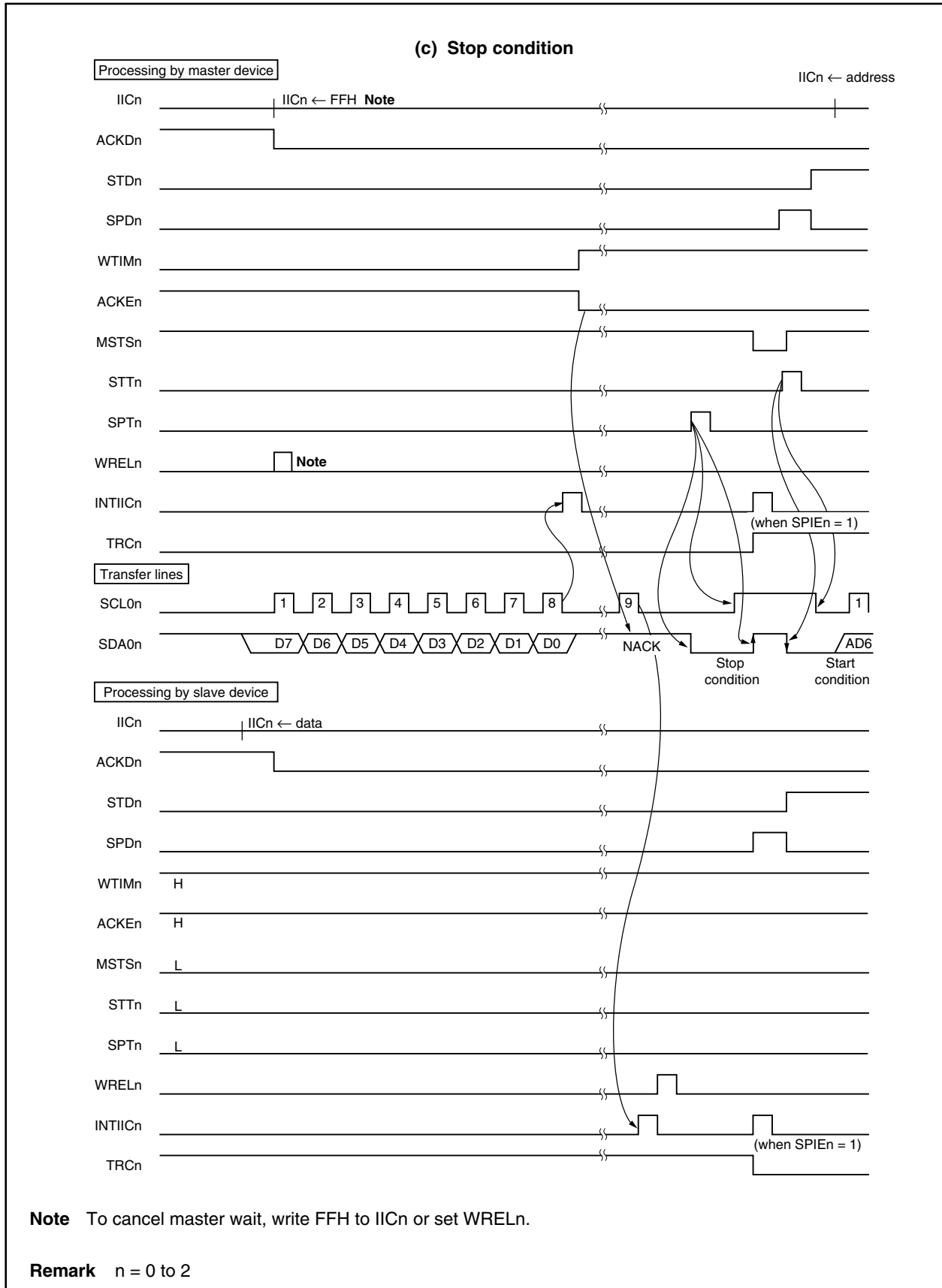


Figure 19-24. Example of Slave to Master Communication
(When Wait Is Changed from 8 Clocks to 9 Clocks for Master and 9-Clock Wait Is Selected for Slave) (3/3)



CHAPTER 20 USB FUNCTION CONTROLLER (USBF)

The V850ES/JG3-L have an internal USB function controller (USBF) conforming to the Universal Serial Bus Specification. Data communication using the polling method is performed between the USB function controller and external host device by using a token-based protocol.

20.1 Overview

- Conforms to the Universal Serial Bus Specification
- Supports 12 Mbps (full-speed) transfer
- Endpoint for transfer incorporated

Endpoint Name	FIFO Size (Bytes)	Transfer Type	Remark
Endpoint0 Read	64	Control transfer	–
Endpoint0 Write	64	Control transfer	–
Endpoint1	64 × 2	Bulk 1 transfer (IN)	2-buffer configuration
Endpoint2	64 × 2	Bulk 1 transfer (OUT)	2-buffer configuration
Endpoint3	64 × 2	Bulk 2 transfer (IN)	2-buffer configuration
Endpoint4	64 × 2	Bulk 2 transfer (OUT)	2-buffer configuration
Endpoint7	8	Interrupt transfer	–

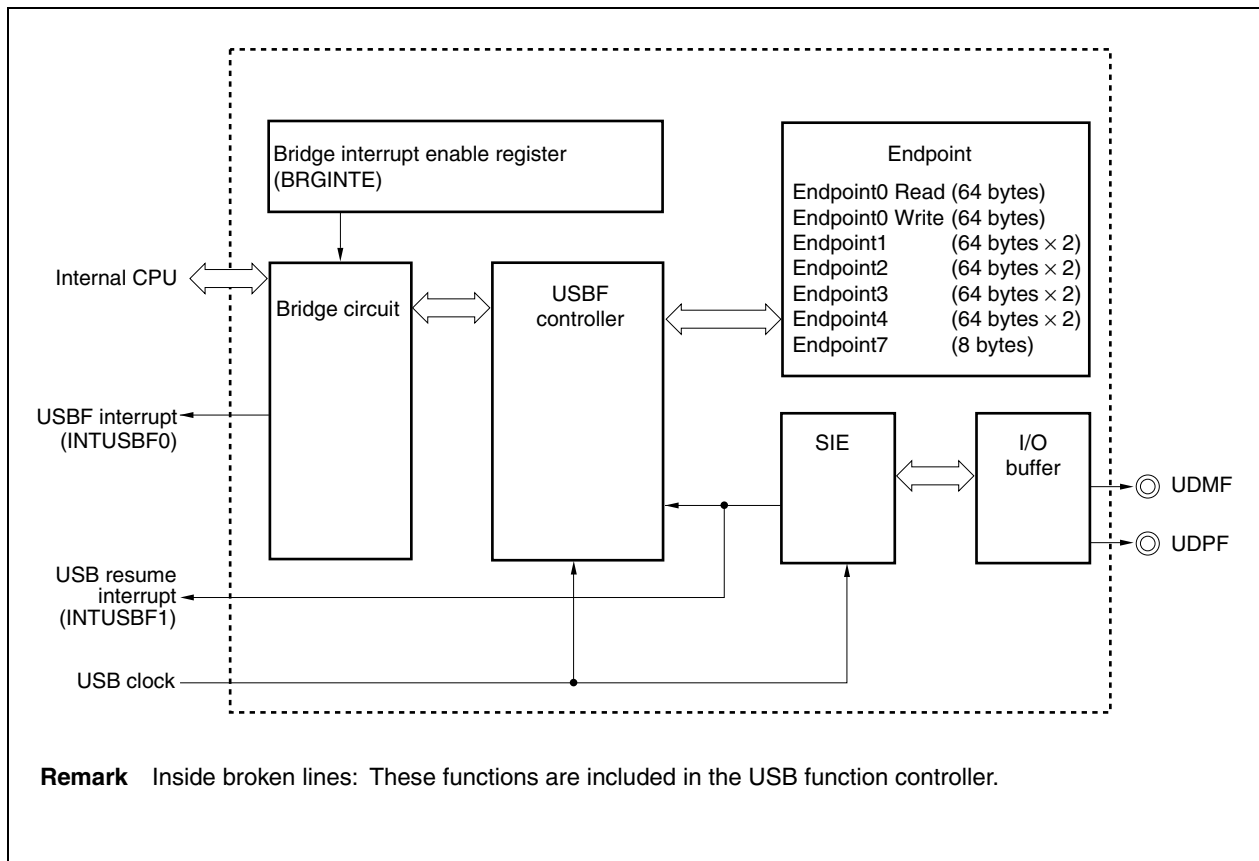
- Bulk transfer (IN/OUT) can be executed as DMA transfer (2-cycle single-transfer mode)
- Clock: Internal clock (6 MHz external clock × internal clock multiplied by 8 = 48 MHz internal clock) or external clock (external clock input to UCLK pin ($f_{USB} = 48$ MHz)) selectable

Caution The registers listed in 20.6.2 USB function controller register list must be accessed after specifying that the internal clock or the external clock is to be used as the USB clock and supplying clock to the USB function controller.

20.2 Configuration

20.2.1 Block diagram

Figure 20-1. Block Diagram of USB Function Controller



20.2.2 USB memory map

The USB function controller seen from the CPU is assigned to the 00200000H to 0024FFFFH memory space in the microcontroller. The memory space is divided for use as follows.

Table 20-1. Division of CPU Memory Space

Address	Area	
00200000H to 00200092H	EPC control register area	
00200100H to 00200114H	EPC data hold register area	
00200144H to 002003C4H	EPC request data register area	
00200400H to 00200408H	Bridge register area	
00200500H to 0020050EH	DMA register area	
00201000H	Bulk-in register area	EP1 (Bulk-IN1)
00202000H		EP3 (Bulk-IN2)
00210000H	Bulk-out register area	EP2 (Bulk-Out1)
00220000H		EP4 (Bulk-Out2)
00240000H	Peripheral control register area	

20.3 External Circuit Configuration

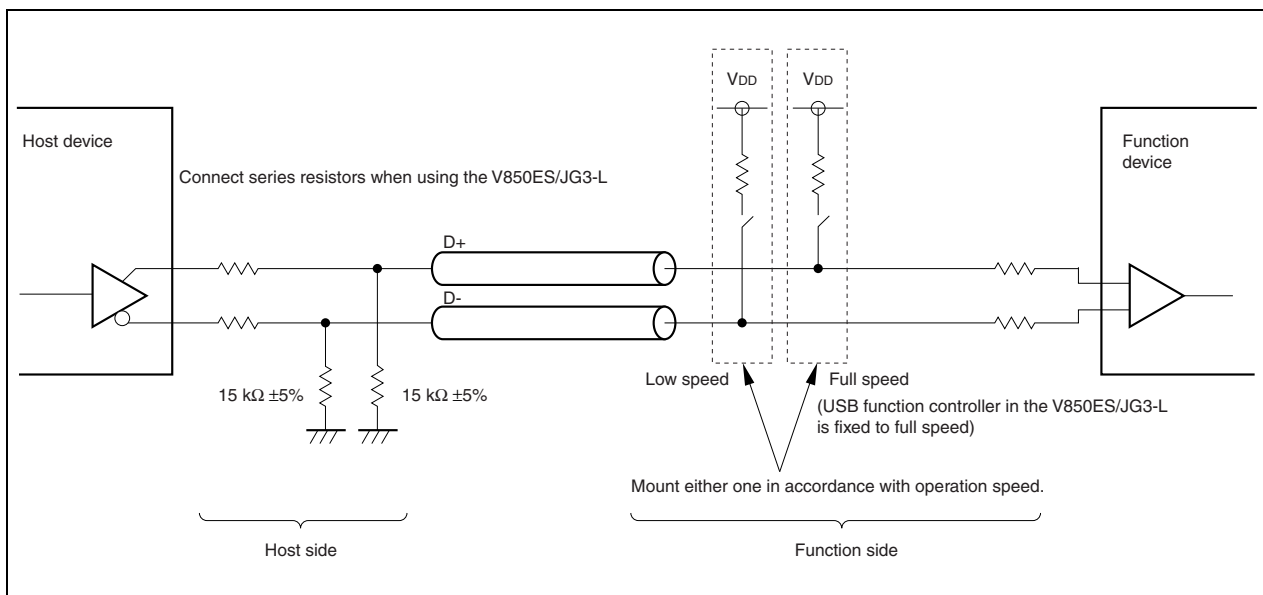
20.3.1 Outline

In USB transmission, when communication is performed with the host controller and function controller facing each other, pull-up/pull-down resistors must be connected to the USB signal (D+/D-) to identify the communication partner. Moreover in the V850ES/JG3-L, series resistors must also be connected.

Because the V850ES/JG3-L do not include these pull-up/pull-down resistors and series resistors, be sure to connect them externally.

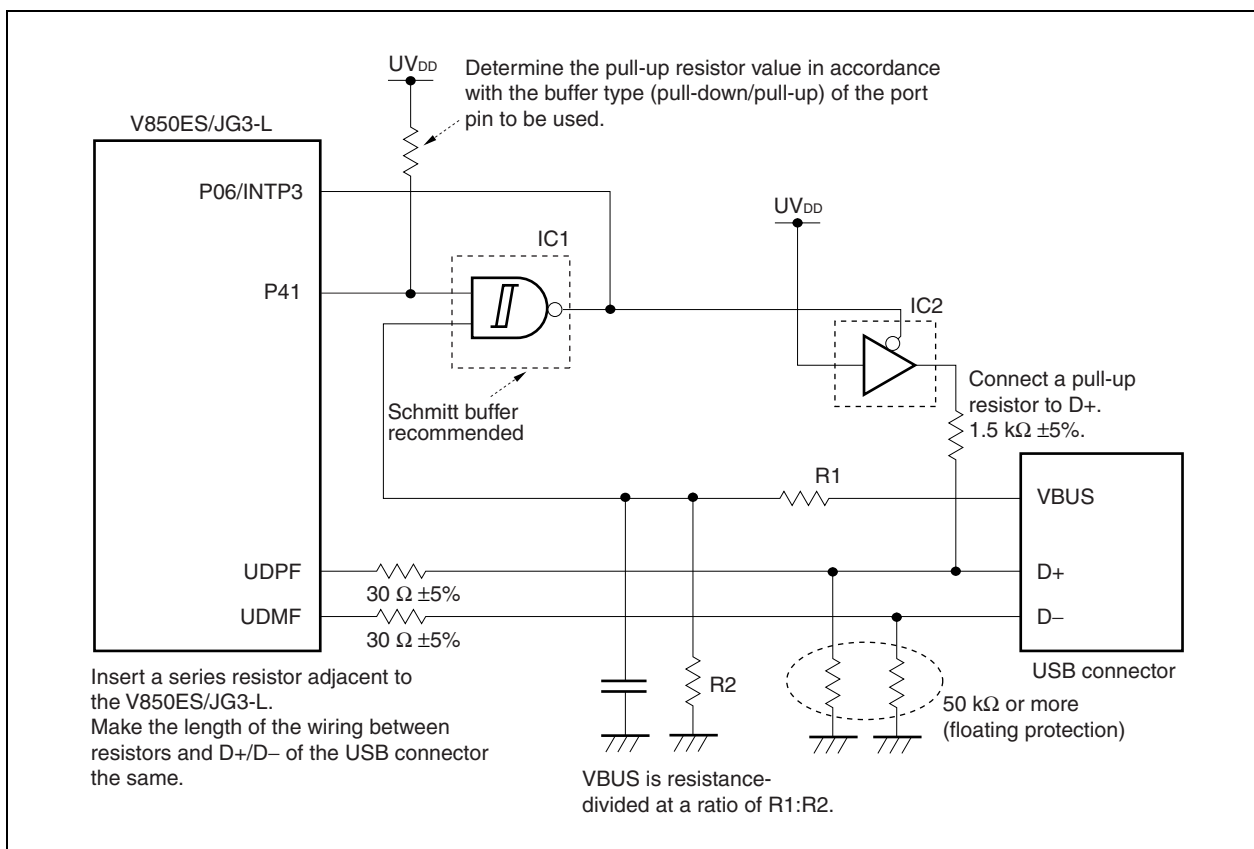
The following shows the outline configuration of the USB transmission line. For details of the external configuration, see the description provided in each section.

Figure 20-2. Outline Configuration of Pull-up, Pull-down, Series Resistors in USB Transmission Line



20.3.2 Connection configuration

Figure 20-3. Example of USB Function Controller Connection

**(1) Series resistor connection to D+/D-**

Connect series resistors of $30\ \Omega \pm 5\%$ to the D+/D- pins (UFDPM, UFDMP) of the USB function controller in the V850ES/JG3-L. If they are not connected, the impedance rating cannot be satisfied and the output waveform may be disturbed.

Allocate the series resistors adjacent to the V850ES/JG3-L and make the length of the wiring between the series resistors and the USB connectors the same, to make the impedance of D+ and D- equal (a differential with $90\ \Omega \pm 5\%$ is recommended).

(2) Pull-up control of D+

Because the function controller of the V850ES/JG3-L is fixed to full speed (FS), be sure to pull up the D+ pin (UFDPM) by $1.5\ \text{k}\Omega \pm 5\%$ to UV_{DD}.

To disable a connection report (D+ pull up) to the USB host/HUB (such as during high priority servicing or initialization), control the pull-up resistor of D+ via a general-purpose port in the system. For a circuit such as the one shown in Figure 20-3, control the pull-up control signal and the VBUS input signal of the D+ pin by using a general-purpose port and the USB cable VBUS (AND circuit). In Figure 20-3, if the general-purpose port is low level, pulling up of D+ is prohibited.

For the IC2 in Figure 20-3, use an IC to which voltage can be applied when the system power is off.

(3) Detection of USB cable connection/disconnection

The USB function controller (USBF) requires a VBUS input signal to recognize whether the USB cable is connected or disconnected, because the state of the USBF is controlled by hardware. The voltage from the USB host or HUB (5 V) is applied as the VBUS input signal when the USB cable VBUS is connected to the USB host or HUB while the USBF power is off. Therefore, for IC1 in Figure 20-3, use an IC to which voltage can be applied when the system power is off. When disconnecting the USB cable in the circuit in Figure 20-3, the input signal to INTP3 may be unstable while the VBUS voltage is dropping. It is therefore recommended to use a Schmitt buffer for IC1 in Figure 20-3.

(4) Floating protection during initialization or when USBF is unused

When the USB function controller is initialized or unused, to avoid a floating status, pull the D+/D- pins down using a resistor of 50 k Ω or higher.

20.4 Cautions

(1) Clock accuracy

To operate the USB function controller, the internal clock (6 MHz external clock \times internal clock multiplied by 8 = 48 MHz internal clock) or external clock (external clock input to UCLK pin ($f_{\text{USB}} = 48$ MHz)) must be used as the USB clock. When the internal clock is used as the USB clock, use a resonator with an accuracy of 6 MHz \pm 2500 ppm (max.). When the external clock is used, apply a clock with an accuracy of 48 MHz \pm 2500 ppm (max.) to the UCLK pin. If the USB clock accuracy drops, the transmission data cannot satisfy the USB rating.

(2) Stopping the USB clock

When the main clock (f_{xx}) has been selected as the USB function controller clock and it is necessary to stop the USB function controller, be sure to stop the USB function controller (by setting bits 1 and 0 of the UFCKMSK register to 1) first before stopping the main clock (f_{xx}).

If the main clock (f_{xx}) is stopped without first stopping the USB function controller, a malfunction might occur due to noise in the clock pulse when the main clock (f_{xx}) is restarted.

Similarly, when an external clock whose signal is input from the UCLK pin is selected as the USB function controller clock, measures must be taken to prevent noise from being generated in the clock pulse by the external circuit. If this is not feasible, then the USB function controller must be stopped first before stopping the main clock (f_{xx}).

20.5 Requests

The USB standard has a request command that reports requests from the host device to the function device to execute response processing.

The requests are received in the SETUP stage of control transfer, and most can be automatically processed via the hardware of the USB function controller (USBF).

20.5.1 Automatic requests

(1) Decode

The following tables show the request format and the correspondence between requests and decoded values.

Table 20-2. Request Format

Offset	Field Name	
0	bmRequestType	
1	bRequest	
2	wValue	Lower side
3		Higher side
4	wIndex	Lower side
5		Higher side
6	wLength	Lower side
7		Higher side

Table 20-3. Correspondence Between Requests and Decoded Values

Request	Offset	Decoded Value							Response			Data Stage	
		bmRequestType	bRequest	wValue		wIndex		wLength		Df	Ad		Cf
		0	1	3	2	5	4	7	6				
GET_INTERFACE	81H	0AH	00H	00H	00H	0nH	00H	01H	STALL	STALL	ACK NAK	√	
GET_CONFIGURATION	80H	08H	00H	00H	00H	00H	00H	01H	ACK NAK	ACK NAK	ACK NAK	√	
GET_DESCRIPTOR Device	80H	06H	01H	00H	00H	00H	XXH	XXH ^{Note 1}	ACK NAK	ACK NAK	ACK NAK	√	
GET_DESCRIPTOR Configuration	80H	06H	02H	00H	00H	00H	XXH	XXH ^{Note 1}	ACK NAK	ACK NAK	ACK NAK	√	
GET_STATUS Device	80H	00H	00H	00H	00H	00H	00H	02H	ACK NAK	ACK NAK	ACK NAK	√	
GET_STATUS Endpoint 0	82H	00H	00H	00H	00H	00H	00H 80H	02H	ACK NAK	ACK NAK	ACK NAK	√	
GET_STATUS Endpoint X	82H	00H	00H	00H	00H	\$\$H	00H	02H	STALL	STALL	ACK NAK	√	
CLEAR_FEATURE Device ^{Note 2}	00H	01H	00H	01H	00H	00H	00H	00H	ACK NAK	ACK NAK	ACK NAK	×	
CLEAR_FEATURE Endpoint 0 ^{Note 2}	02H	01H	00H	00H	00H	00H	00H 80H	00H	ACK NAK	ACK NAK	ACK NAK	×	
CLEAR_FEATURE Endpoint X ^{Note 2}	02H	01H	00H	00H	00H	\$\$H	00H	00H	STALL	STALL	ACK NAK	×	
SET_FEATURE Device ^{Note 3}	00H	03H	00H	01H	00H	00H	00H	00H	ACK NAK	ACK NAK	ACK NAK	×	
SET_FEATURE Endpoint 0 ^{Note 3}	02H	03H	00H	00H	00H	00H	00H 80H	00H	ACK NAK	ACK NAK	ACK NAK	×	
SET_FEATURE Endpoint X ^{Note 3}	02H	03H	00H	00H	00H	\$\$H	00H	00H	STALL	STALL	ACK NAK	×	
SET_INTERFACE	01H	0BH	00H	0#H	00H	0?H	00H	00H	STALL	STALL	ACK NAK	×	
SET_CONFIGURATION ^{Note 4}	00H	09H	00H	00H 01H	00H	00H	00H	00H	ACK NAK	ACK NAK	ACK NAK	×	
SET_ADDRESS	00H	05H	XXH	XXH	00H	00H	00H	00H	ACK NAK	ACK NAK	ACK NAK	×	

Remark √: Data stage
 ×: No data stage

- Notes 1.** If the wLength value is lower than the prepared value, the wLength value is returned; if the wLength value is the prepared value or higher, the prepared value is returned.
- 2.** The CLEAR_FEATURE request clears UF0 device status register L (UF0DSTL) and UF0 EPn status register L (UF0EnSL) (n = 0 to 4, 7) when ACK is received in the status stage.

- Notes 3.** The SET_FEATURE request sets the UF0 device status register L (UF0DSTL) and UF0 EPn status register L (UF0EnSL) (n = 0 to 4, 7) when ACK is received in the status stage. If the E0HALT bit of the UF0E0SL register is set, a STALL response is made in the status stage or data stage of control transfer for a request other than the GET_STATUS Endpoint0 request, SET_FEATURE Endpoint0 request, and a request generated by the CPUDEC interrupt request, until the CLEAR_FEATURE Endpoint0 request is received. A STALL response to an unsupported request does not set the E0HALT bit of the UF0E0SL register to 1, and the STALL response is cleared as soon as the next SETUP token has been received.
4. If the wValue is not the default value, an automatic STALL response is made.

Cautions 1. The sequence of control transfer defined by the Universal Serial Bus Specification is not satisfied under the following conditions. The operation is not guaranteed under these conditions.

- If an IN/OUT token is suddenly received without a SETUP stage
 - If DATA PID1 is sent in the data phase of the SETUP stage
 - If a token of 128 addresses or more is received
 - If the request data transmitted in the SETUP stage is of less than 8 bytes
2. An ACK response is made even when the host transmits data other than a Null packet in the status stage.
3. If the wLength value is 00H during control transfer (read) of FW processing, a Null packet is automatically transmitted for control transfer (without data). The FW request does not automatically transmit a Null packet.

Remarks 1. Df: Default state, Ad: Addressed state, Cf: Configured state

2. n = 0 to 4

It is determined by the setting of the UF0 active interface number register (UF0AIFN) whether a request with Interface number 1 to 4 is correctly responded to, depending on whether the Interface number of the target is valid or not.

3. \$\$: Valid endpoint number including transfer direction

The valid endpoint is determined by the currently set Alternate Setting number (see 20.6.3 (36) UF0 active alternative setting register (UF0AAS), (38) UF0 endpoint 1 interface mapping register (UF0E1IM) to (42) UF0 endpoint 7 interface mapping register (UF0E7IM)).

4. ? and #: Value transmitted from host (information on Interface numbers 0 to 4)

It is determined by the UF0 active interface number register (UF0AIFN) and UF0 active alternative setting register (UF0AAS) whether an Alternate Setting request corresponding to each Interface number is correctly responded to or not, depending on whether the Interface number and Alternate Setting of the target are valid or not.

(2) Processing

The processing of an automatic request in the Default state, Addressed state, and Configured state is described below.

Remark Default state: State in which an operation is performed with the Default address
 Addressed state: State after an address has been allocated
 Configured state: State after SET_CONFIGURATION wValue = 1 has been correctly received

(a) CLEAR_FEATURE() request

A STALL response is made in the status stage if the CLEAR_FEATURE() request cannot be cleared, if FEATURE does not exist, or if the target is an interface or an endpoint that does not exist. A STALL response is also made if the wLength value is other than 0.

- Default state: The correct response is made when the CLEAR_FEATURE() request has been received only if the target is a device or a request for Endpoint0; otherwise a STALL response is made in the status stage.
- Addressed state: The correct response is made when the CLEAR_FEATURE() request has been received only if the target is a device or a request for Endpoint0; otherwise a STALL response is made in the status stage.
- Configured state: The correct response is made when the CLEAR_FEATURE() request has been received only if the target is a device or a request for an endpoint that exists; otherwise a STALL response is made in the status stage.

When the CLEAR_FEATURE() request has been correctly processed, the corresponding bit of the UF0 CLR request register (UF0CLR) is set to 1, the EnHALT bit of the UF0 EPn status register L (UF0EnSL) is cleared to 0, and an interrupt is issued (n = 0 to 4, 7). If the CLEAR_FEATURE() request is received when the subject is an endpoint, the toggle bit (that controls switching between DATA0 and DATA1) of the corresponding endpoint is always re-set to DATA0.

(b) GET_CONFIGURATION() request

A STALL response is made in the data stage if any of wValue, wIndex, or wLength is other than the values shown in Table 20-3.

- Default state: The value stored in the UF0 configuration register (UF0CNF) is returned when the GET_CONFIGURATION() request has been received.
- Addressed state: The value stored in the UF0CNF register is returned when the GET_CONFIGURATION() request has been received.
- Configured state: The value stored in the UF0CNF register is returned when the GET_CONFIGURATION() request has been received.

(c) GET_DESCRIPTOR() request

If the subject descriptor has a length that is a multiple of `wMaxPacketSize`, a Null packet is returned to indicate the end of the data stage. If the length of the descriptor at this time is less than the `wLength` value, the entire descriptor is returned; if the length of the descriptor is greater than the `wLength` value, the descriptor up to the `wLength` value is returned.

- **Default state:** The value stored in UF0 device descriptor register `n` (`UF0DDn`) and UF0 configuration/interface/endpoint descriptor register `m` (`UF0CIEm`) is returned ($n = 0$ to 17, $m = 0$ to 255) when the `GET_DESCRIPTOR()` request has been received.
- **Addressed state:** The value stored in the `UF0DDn` register and `UF0CIEm` register is returned when the `GET_DESCRIPTOR()` request has been received.
- **Configured state:** The value stored in the `UF0DDn` register and `UF0CIEm` register is returned when the `GET_DESCRIPTOR()` request has been received.

A descriptor of up to 256 bytes can be stored in the `UF0CIEm` register. To return a descriptor of more than 256 bytes, set the `CDCGDST` bit of the `UF0MODC` register to 1 and process the `GET_DESCRIPTOR()` request by FW.

Store the value of the total number of bytes of the descriptor set by the `UF0CIEm` register – 1 in the UF0 descriptor length register (`UF0DSCL`). The transfer data is controlled by the value of this data + 1 and `wLength`.

(d) GET_INTERFACE() request

If either of `wValue` and `wLength` is other than that shown in Table 20-3, or if `wIndex` is other than that set by the UF0 active interface number register (`UF0AIFN`), a STALL response is made in the data stage.

- **Default state:** A STALL response is made in the data stage when the `GET_INTERFACE()` request has been received.
- **Addressed state:** A STALL response is made in the data stage when the `GET_INTERFACE()` request has been received.
- **Configured state:** The value stored in the UF0 interface `n` register (`UF0IFn`) corresponding to the `wIndex` value is returned ($n = 0$ to 4) when the `GET_INTERFACE()` request has been received.

(e) GET_STATUS() request

A STALL response is made in the data stage if any of wValue, wIndex, or wLength is other than the values shown in Table 20-3. A STALL response is also made in the data stage if the target is an interface or an endpoint that does not exist.

- **Default state:** The value stored in the target status register^{Note} is returned only when the GET_STATUS() request has been received and when the request is for a device or Endpoint0; otherwise a STALL response is made in the data stage.
- **Addressed state:** The value stored in the target status register^{Note} is returned only when the GET_STATUS() request has been received and when the request is for a device or Endpoint0; otherwise a STALL response is made in the data stage.
- **Configured state:** The value stored in the target status register^{Note} is returned only when the GET_STATUS() request has been received and when the request is for a device or an endpoint that exists; otherwise a STALL response is made in the data stage.

Note The target status register is as follows.

- If the target is a device: UF0 device status register L (UF0DSTL)
- If the target is endpoint 0: UF0 EP0 status register L (UF0E0SL)
- If the target is endpoint n: UF0 EPn status register L (UF0EnSL) (n = 1 to 4, 7)

(f) SET_ADDRESS() request

A STALL response is made in the status stage if either of wIndex or wLength is other than the values shown in Table 20-3. A STALL response is also made if the specified device address is greater than 127.

- **Default state:** The device enters the Addressed state and changes the USB Address value to be input to SIE into a specified address value if the specified address is other than 0 when the SET_ADDRESS() request has been received. If the specified address is 0, the device remains in the Default state.
- **Addressed state:** The device enters the Default state and returns the USB Address value to be input to SIE to the default address if the specified address is 0 when the SET_ADDRESS() request has been received. If the specified address is other than 0, the device remains in the Addressed state, and changes the USB Address value to be input to SIE into a specified new address value.
- **Configured state:** The device remains in the Configured state and returns the USB Address value to be input to SIE to the default address if the specified address is 0 when the SET_ADDRESS() request has been received. In this case, the endpoints other than endpoint 0 remain valid, and control transfer (IN), control transfer (OUT), bulk transfer and interrupt transfer for an endpoint other than endpoint 0 are also acknowledged. If the specified address is other than 0, the device remains in the Configured state and changes the USB Address value to be input to SIE into a specified new address value.

(g) SET_CONFIGURATION() request

If any of wValue, wIndex, or wLength is other than the values shown in Table 20-3, a STALL response is made in the status stage.

- **Default state:** The CONF bit of the UF0 mode status register (UF0MODS) and the UF0 configuration register (UF0CNF) are set to 1 if the specified configuration value is 1 when the SET_CONFIGURATION() request has been received. If the specified configuration value is 0, the CONF bit of the UF0MODS register and UF0CNF register are cleared to 0. In other words, the device skips the Addressed state and moves to the Configured state in which it responds to the Default address.
- **Addressed state:** The CONF bit of the UF0MODS register and UF0CNF register are set to 1 and the device enters the Configured state if the specified configuration value is 1 when the SET_CONFIGURATION() request has been received. If the specified configuration value is 0, the device remains in the Addressed state.
- **Configured state:** The CONF bit of the UF0MODS register and UF0CNF register are set to 1 and the device returns to the Addressed state if the specified configuration value is 0 when the SET_CONFIGURATION() request has been received. If the specified configuration value is 1, the device remains in the Configured state.

If the SET_CONFIGURATION() request has been correctly processed, the target bit of the UF0 SET request register (UF0SET) is set to 1, and an interrupt is issued. All Halt Features are cleared after the SET_CONFIGURATION() request has been completed even if the specified configuration value is the same as the current configuration value. If the SET_CONFIGURATION() request has been correctly processed, the data toggle of all endpoints is always initialized to DATA0 again (it is defined that the default status, Alternative Setting 0, is set from when the SET_CONFIGURATION request is received to when the SET_INTERFACE request is received).

(h) SET_FEATURE() request

A STALL response is made in the status stage if the SET_FEATURE() request is for a Feature that cannot be set or does not exist, or if the target is an interface or an endpoint that does not exist. A STALL response is also made if the wLength value is other than 0.

- **Default state:** The correct response is made when the SET_FEATURE() request has been received, only if the request is for a device or Endpoint0; otherwise a STALL response is made in the status stage.
- **Addressed state:** The correct response is made when the SET_FEATURE() request has been received, only if the request is for a device or Endpoint0; otherwise a STALL response is made in the status stage.
- **Configured state:** The correct response is made when the SET_FEATURE() request has been received, only if the request is for a device or an endpoint that exists; otherwise a STALL response is made in the status stage.

When the SET_FEATURE() request has been correctly processed, the target bit of the UF0 SET request register (UF0SET) and the EnHALT bit of the UF0 EPn status register L (UF0EnSL) are set to 1, and an interrupt is issued (n = 0 to 4, 7).

(i) SET_INTERFACE() request

If wLength is other than the values shown in Table 20-3, if wIndex is other than the value set to the UF0 active interface number register (UF0AIFN), or if wValue is other than the value set to the UF0 active alternative setting register (UF0AAS), a STALL response is made in the status stage.

- Default state: A STALL response is made in the status stage when the SET_INTERFACE() request has been received.
- Addressed state: A STALL response is made in the status stage when the SET_INTERFACE() request has been received.
- Configured state: Null packet is transmitted in the status stage when the SET_INTERFACE() request has been received.

When the SET_INTERFACE() request has been correctly processed, an interrupt is issued. All the Halt Features of the endpoint linked to the target Interface are cleared after the SET_INTERFACE() request has been cleared. The data toggle of all the endpoints related to the target Interface number is always initialized again to DATA0. When the currently selected Alternative Setting is to be changed by correctly processing the SET_INTERFACE() request, the FIFO of the endpoint that is affected is completely cleared, and all the related interrupt sources are also initialized.

When the SET_INTERFACE() request has been completed, the FIFO of all the endpoints linked to the target Interface are cleared. At the same time, Halt Feature and Data PID are initialized, and the related UF0 INT status n register (UF0ISn) is cleared to 0 (n = 0 to 4). (Only Halt Feature and Data PID are cleared when the SET_CONFIGURATION request has been completed.)

If the target Endpoint is not supported by the SET_INTERFACE() request during DMA transfer, the DMA request signal is immediately deasserted, and the FIFO of the Endpoint that has been linked when the SET_INTERFACE() request has been completed is completely cleared. As a result of this clearing of the FIFO, data transferred by DMA is not correctly processed.

20.5.2 Other requests**(1) Response and processing**

The following table shows how other requests are responded to and processed.

Table 20-4. Response and Processing of Other Requests

Request	Response and Processing
GET_DESCRIPTOR String	Generation of CPUDEC interrupt request
GET_STATUS Interface	Automatic STALL response
CLEAR_FEATURE Interface	Automatic STALL response
SET_FEATURE Interface	Automatic STALL response
all SET_DESCRIPTOR	Generation of CPUDEC interrupt request
All other requests	Generation of CPUDEC interrupt request

20.6 Register Configuration

20.6.1 USB control registers

(1) USB clock select register (UCKSEL)

The UCKSEL register selects the operation clock of the USB controller.

The UCKSEL register can be read or written in 8-bit or 1-bit units.

Reset sets this register to 00H.

After reset: 00H		R/W	Address: FFFFFFF40H					
UCKSEL	7	6	5	4	3	2	1	0
	0	0	0	0	0	0	UUSEL1	0
UUSEL1		Selection of USB controller operation clock						
0		External clock input from UCLK pin ($f_{USB} = 48$ MHz)						
1		PLL clock						
<p>Caution Be sure to set bits 7 to 2, and 0 to "0".</p>								

(2) USB function control register (UFCKMSK)

The UFCKMSK register controls enable/disable of USB function controller operation.

The UFCKMSK register can be read or written in 8-bit or 1-bit units.

Reset sets this register to 03H.

After reset: 03H		R/W	Address: FFFFFFF41H					
UFCKMSK	7	6	5	4	3	2	1	0
	0	0	0	0	0	0	UFBUFMSK	UFMSK
UFBUFMSK		UFMSK	USB function controller operation enable/stop					
0		0	Operation enabled					
0		1	Operation stopped (set while USB is suspended)					
1		1	Operation stopped					
Other than above		Setting prohibited						

20.6.2 USB function controller register list

(1) EPC control register

(1/2)

Address	Function Register Name	Symbol	R/W	Manipulatable Bits			Default Value
				1	8	16	
00200000H	UF0 EP0NAK register	UF0E0N	R/W		√		00H
00200002H	UF0 EP0NAKALL register	UF0E0NA	R/W		√		00H
00200004H	UF0 EPNAK register	UF0EN	R/W		√		00H
00200006H	UF0 EPNAK mask register	UF0ENM	R/W		√		00H
00200008H	UF0 SNDSIE register	UF0SDS	R/W		√		00H
0020000AH	UF0 CLR request register	UF0CLR	R		√		00H
0020000CH	UF0 SET request register	UF0SET	R		√		00H
0020000EH	UF0 EP status 0 register	UF0EPS0	R		√		00H
00200010H	UF0 EP status 1 register	UF0EPS1	R		√		00H
00200012H	UF0 EP status 2 register	UF0EPS2	R		√		00H
00200020H	UF0 INT status 0 register	UF0IS0	R		√		00H
00200022H	UF0 INT status 1 register	UF0IS1	R		√		00H
00200024H	UF0 INT status 2 register	UF0IS2	R		√		00H
00200026H	UF0 INT status 3 register	UF0IS3	R		√		00H
00200028H	UF0 INT status 4 register	UF0IS4	R		√		00H
0020002EH	UF0 INT mask 0 register	UF0IM0	R/W		√		00H
00200030H	UF0 INT mask 1 register	UF0IM1	R/W		√		00H
00200032H	UF0 INT mask 2 register	UF0IM2	R/W		√		00H
00200034H	UF0 INT mask 3 register	UF0IM3	R/W		√		00H
00200036H	UF0 INT mask 4 register	UF0IM4	R/W		√		00H
0020003CH	UF0 INT clear 0 register	UF0IC0	W		√		FFH
0020003EH	UF0 INT clear 1 register	UF0IC1	W		√		FFH
00200040H	UF0 INT clear 2 register	UF0IC2	W		√		FFH
00200042H	UF0 INT clear 3 register	UF0IC3	W		√		FFH
00200044H	UF0 INT clear 4 register	UF0IC4	W		√		FFH
0020004CH	UF0 INT & DMARQ register	UF0IDR	R/W		√		00H
0020004EH	UF0 DMA status 0 register	UF0DMS0	R		√		00H
00200050H	UF0 DMA status 1 register	UF0DMS1	R		√		00H
00200060H	UF0 FIFO clear 0 register	UF0FIC0	W		√		00H
00200062H	UF0 FIFO clear 1 register	UF0FIC1	W		√		00H
0020006AH	UF0 data end register	UF0DEND	R/W		√		00H
0020006EH	UF0 GPR register	UF0GPR	W		√		00H
00200074H	UF0 mode control register	UF0MODC	R/W		√		00H
00200078H	UF0 mode status register	UF0MODS	R		√		00H

(2/2)

Address	Function Register Name	Symbol	R/W	Manipulatable Bits			Default Value
				1	8	16	
00200080H	UF0 active interface number register	UF0AIFN	R/W		√		00H
00200082H	UF0 active alternative setting register	UF0AAS	R/W		√		00H
00200084H	UF0 alternative setting status register	UF0ASS	R		√		00H
00200086H	UF0 endpoint 1 interface mapping register	UF0E1IM	R/W		√		00H
00200088H	UF0 endpoint 2 interface mapping register	UF0E2IM	R/W		√		00H
0020008AH	UF0 endpoint 3 interface mapping register	UF0E3IM	R/W		√		00H
0020008CH	UF0 endpoint 4 interface mapping register	UF0E4IM	R/W		√		00H
00200092H	UF0 endpoint 7 interface mapping register	UF0E7IM	R/W		√		00H

(2) EPC data hold register

Address	Function Register Name	Symbol	R/W	Manipulatable Bits			Default Value
				1	8	16	
00200100 H	UF0 EP0 read register	UF0E0R	R		√		Undefined
00200102H	UF0 EP0 length register	UF0E0L	R		√		00H
00200104H	UF0 EP0 setup register	UF0E0ST	R		√		00H
00200106H	UF0 EP0 write register	UF0E0W	W		√		Undefined
00200108H	UF0 bulk-out 1 register	UF0BO1	R		√		Undefined
0020010AH	UF0 bulk-out 1 length register	UF0BO1L	R		√		00H
0020010CH	UF0 bulk-out 2 register	UF0BO2	R		√		Undefined
0020010EH	UF0 bulk-out 2 length register	UF0BO2L	R		√		00H
00200110H	UF0 bulk-in 1 register	UF0BI1	W		√		Undefined
00200112H	UF0 bulk-in 2 register	UF0BI2	W		√		Undefined
00200114H	UF0 interrupt 1 register	UF0INT1	W		√		Undefined

(3) EPC request data register

(1/13)

Address	Function Register Name	Symbol	R/W	Manipulatable Bits			Default Value
				1	8	16	
00200144H	UF0 device status register L	UF0DSTL	R/W		√		00H
0020014CH	UF0 EP0 status register L	UF0E0SL	R/W		√		00H
00200150H	UF0 EP1 status register L	UF0E1SL	R/W		√		00H
00200154H	UF0 EP2 status register L	UF0E2SL	R/W		√		00H
00200158H	UF0 EP3 status register L	UF0E3SL	R/W		√		00H
0020015CH	UF0 EP4 status register L	UF0E4SL	R/W		√		00H
00200168H	UF0 EP7 status register L	UF0E7SL	R/W		√		00H
00200180H	UF0 address register	UF0ADRS	R		√		00H
00200182H	UF0 configuration register	UF0CNF	R		√		00H
00200184H	UF0 interface 0 register	UF0IF0	R		√		00H
00200186H	UF0 interface 1 register	UF0IF1	R		√		00H
00200188H	UF0 interface 2 register	UF0IF2	R		√		00H
0020018AH	UF0 interface 3 register	UF0IF3	R		√		00H
0020018CH	UF0 interface 4 register	UF0IF4	R		√		00H
002001A0H	UF0 descriptor length register	UF0DSC L	R/W		√		00H
002001A2H	UF0 device descriptor register 0	UF0DD0	R/W		√		Undefined
002001A4H	UF0 device descriptor register 1	UF0DD1	R/W		√		Undefined
002001A6H	UF0 device descriptor register 2	UF0DD2	R/W		√		Undefined
002001A8H	UF0 device descriptor register 3	UF0DD3	R/W		√		Undefined
002001AAH	UF0 device descriptor register 4	UF0DD4	R/W		√		Undefined
002001ACH	UF0 device descriptor register 5	UF0DD5	R/W		√		Undefined
002001AEH	UF0 device descriptor register 6	UF0DD6	R/W		√		Undefined
002001B0H	UF0 device descriptor register 7	UF0DD7	R/W		√		Undefined
002001B2H	UF0 device descriptor register 8	UF0DD8	R/W		√		Undefined
002001B4H	UF0 device descriptor register 9	UF0DD9	R/W		√		Undefined
002001B6H	UF0 device descriptor register 10	UF0DD10	R/W		√		Undefined
002001B8H	UF0 device descriptor register 11	UF0DD11	R/W		√		Undefined
002001BAH	UF0 device descriptor register 12	UF0DD12	R/W		√		Undefined
002001BCH	UF0 device descriptor register 13	UF0DD13	R/W		√		Undefined
002001BEH	UF0 device descriptor register 14	UF0DD14	R/W		√		Undefined
002001C0H	UF0 device descriptor register 15	UF0DD15	R/W		√		Undefined
002001C2H	UF0 device descriptor register 16	UF0DD16	R/W		√		Undefined
002001C4H	UF0 device descriptor register 17	UF0DD17	R/W		√		Undefined
002001C6H	UF0 configuration/interface/endpoint descriptor register 0	UF0CIE0	R/W		√		Undefined
002001C8H	UF0 configuration/interface/endpoint descriptor register 1	UF0CIE1	R/W		√		Undefined
002001CAH	UF0 configuration/interface/endpoint descriptor register 2	UF0CIE2	R/W		√		Undefined
002001CCH	UF0 configuration/interface/endpoint descriptor register 3	UF0CIE3	R/W		√		Undefined

(2/13)

Address	Function Register Name	Symbol	R/W	Manipulatable Bits			Default Value
				1	8	16	
002001CEH	UF0 configuration/interface/endpoint descriptor register 4	UF0CIE4	R/W		√		Undefined
002001D0H	UF0 configuration/interface/endpoint descriptor register 5	UF0CIE5	R/W		√		Undefined
002001D2H	UF0 configuration/interface/endpoint descriptor register 6	UF0CIE6	R/W		√		Undefined
002001D4H	UF0 configuration/interface/endpoint descriptor register 7	UF0CIE7	R/W		√		Undefined
002001D6H	UF0 configuration/interface/endpoint descriptor register 8	UF0CIE8	R/W		√		Undefined
002001D8H	UF0 configuration/interface/endpoint descriptor register 9	UF0CIE9	R/W		√		Undefined
002001DAH	UF0 configuration/interface/endpoint descriptor register 10	UF0CIE10	R/W		√		Undefined
002001DCH	UF0 configuration/interface/endpoint descriptor register 11	UF0CIE11	R/W		√		Undefined
002001DEH	UF0 configuration/interface/endpoint descriptor register 12	UF0CIE12	R/W		√		Undefined
002001E0H	UF0 configuration/interface/endpoint descriptor register 13	UF0CIE13	R/W		√		Undefined
002001E2H	UF0 configuration/interface/endpoint descriptor register 14	UF0CIE14	R/W		√		Undefined
002001E4H	UF0 configuration/interface/endpoint descriptor register 15	UF0CIE15	R/W		√		Undefined
002001E6H	UF0 configuration/interface/endpoint descriptor register 16	UF0CIE16	R/W		√		Undefined
002001E8H	UF0 configuration/interface/endpoint descriptor register 17	UF0CIE17	R/W		√		Undefined
002001EAH	UF0 configuration/interface/endpoint descriptor register 18	UF0CIE18	R/W		√		Undefined
002001ECH	UF0 configuration/interface/endpoint descriptor register 19	UF0CIE19	R/W		√		Undefined
002001EEH	UF0 configuration/interface/endpoint descriptor register 20	UF0CIE20	R/W		√		Undefined
002001F0H	UF0 configuration/interface/endpoint descriptor register 21	UF0CIE21	R/W		√		Undefined
002001F2H	UF0 configuration/interface/endpoint descriptor register 22	UF0CIE22	R/W		√		Undefined
002001F4H	UF0 configuration/interface/endpoint descriptor register 23	UF0CIE23	R/W		√		Undefined
002001F6H	UF0 configuration/interface/endpoint descriptor register 24	UF0CIE24	R/W		√		Undefined
002001F8H	UF0 configuration/interface/endpoint descriptor register 25	UF0CIE25	R/W		√		Undefined

(3/13)

Address	Function Register Name	Symbol	R/W	Manipulatable Bits			Default Value
				1	8	16	
002001FAH	UF0 configuration/interface/endpoint descriptor register 26	UF0CIE26	R/W		√		Undefined
002001FCH	UF0 configuration/interface/endpoint descriptor register 27	UF0CIE27	R/W		√		Undefined
002001FEH	UF0 configuration/interface/endpoint descriptor register 28	UF0CIE28	R/W		√		Undefined
00200200H	UF0 configuration/interface/endpoint descriptor register 29	UF0CIE29	R/W		√		Undefined
00200202H	UF0 configuration/interface/endpoint descriptor register 30	UF0CIE30	R/W		√		Undefined
00200204H	UF0 configuration/interface/endpoint descriptor register 31	UF0CIE31	R/W		√		Undefined
00200206H	UF0 configuration/interface/endpoint descriptor register 32	UF0CIE32	R/W		√		Undefined
00200208H	UF0 configuration/interface/endpoint descriptor register 33	UF0CIE33	R/W		√		Undefined
0020020AH	UF0 configuration/interface/endpoint descriptor register 34	UF0CIE34	R/W		√		Undefined
0020020CH	UF0 configuration/interface/endpoint descriptor register 35	UF0CIE35	R/W		√		Undefined
0020020EH	UF0 configuration/interface/endpoint descriptor register 36	UF0CIE36	R/W		√		Undefined
00200210H	UF0 configuration/interface/endpoint descriptor register 37	UF0CIE37	R/W		√		Undefined
00200212H	UF0 configuration/interface/endpoint descriptor register 38	UF0CIE38	R/W		√		Undefined
00200214H	UF0 configuration/interface/endpoint descriptor register 39	UF0CIE39	R/W		√		Undefined
00200216H	UF0 configuration/interface/endpoint descriptor register 40	UF0CIE40	R/W		√		Undefined
00200218H	UF0 configuration/interface/endpoint descriptor register 41	UF0CIE41	R/W		√		Undefined
0020021AH	UF0 configuration/interface/endpoint descriptor register 42	UF0CIE42	R/W		√		Undefined
0020021CH	UF0 configuration/interface/endpoint descriptor register 43	UF0CIE43	R/W		√		Undefined
0020021EH	UF0 configuration/interface/endpoint descriptor register 44	UF0CIE44	R/W		√		Undefined
00200220H	UF0 configuration/interface/endpoint descriptor register 45	UF0CIE45	R/W		√		Undefined
00200222H	UF0 configuration/interface/endpoint descriptor register 46	UF0CIE46	R/W		√		Undefined
00200224H	UF0 configuration/interface/endpoint descriptor register 47	UF0CIE47	R/W		√		Undefined

(4/13)

Address	Function Register Name	Symbol	R/W	Manipulatable Bits			Default Value
				1	8	16	
00200226H	UF0 configuration/interface/endpoint descriptor register 48	UF0CIE48	R/W		√		Undefined
00200228H	UF0 configuration/interface/endpoint descriptor register 49	UF0CIE49	R/W		√		Undefined
0020022AH	UF0 configuration/interface/endpoint descriptor register 50	UF0CIE50	R/W		√		Undefined
0020022CH	UF0 configuration/interface/endpoint descriptor register 51	UF0CIE51	R/W		√		Undefined
0020022EH	UF0 configuration/interface/endpoint descriptor register 52	UF0CIE52	R/W		√		Undefined
00200230H	UF0 configuration/interface/endpoint descriptor register 53	UF0CIE53	R/W		√		Undefined
00200232H	UF0 configuration/interface/endpoint descriptor register 54	UF0CIE54	R/W		√		Undefined
00200234H	UF0 configuration/interface/endpoint descriptor register 55	UF0CIE55	R/W		√		Undefined
00200236H	UF0 configuration/interface/endpoint descriptor register 56	UF0CIE56	R/W		√		Undefined
00200238H	UF0 configuration/interface/endpoint descriptor register 57	UF0CIE57	R/W		√		Undefined
0020023AH	UF0 configuration/interface/endpoint descriptor register 58	UF0CIE58	R/W		√		Undefined
0020023CH	UF0 configuration/interface/endpoint descriptor register 59	UF0CIE59	R/W		√		Undefined
0020023EH	UF0 configuration/interface/endpoint descriptor register 60	UF0CIE60	R/W		√		Undefined
00200240H	UF0 configuration/interface/endpoint descriptor register 61	UF0CIE61	R/W		√		Undefined
00200242H	UF0 configuration/interface/endpoint descriptor register 62	UF0CIE62	R/W		√		Undefined
00200244H	UF0 configuration/interface/endpoint descriptor register 63	UF0CIE63	R/W		√		Undefined
00200246H	UF0 configuration/interface/endpoint descriptor register 64	UF0CIE64	R/W		√		Undefined
00200248H	UF0 configuration/interface/endpoint descriptor register 65	UF0CIE65	R/W		√		Undefined
0020024AH	UF0 configuration/interface/endpoint descriptor register 66	UF0CIE66	R/W		√		Undefined
0020024CH	UF0 configuration/interface/endpoint descriptor register 67	UF0CIE67	R/W		√		Undefined
0020024EH	UF0 configuration/interface/endpoint descriptor register 68	UF0CIE68	R/W		√		Undefined
00200250H	UF0 configuration/interface/endpoint descriptor register 69	UF0CIE69	R/W		√		Undefined

(5/13)

Address	Function Register Name	Symbol	R/W	Manipulatable Bits			Default Value
				1	8	16	
00200252H	UF0 configuration/interface/endpoint descriptor register 70	UF0CIE70	R/W		√		Undefined
00200254H	UF0 configuration/interface/endpoint descriptor register 71	UF0CIE71	R/W		√		Undefined
00200256H	UF0 configuration/interface/endpoint descriptor register 72	UF0CIE72	R/W		√		Undefined
00200258H	UF0 configuration/interface/endpoint descriptor register 73	UF0CIE73	R/W		√		Undefined
0020025AH	UF0 configuration/interface/endpoint descriptor register 74	UF0CIE74	R/W		√		Undefined
0020025CH	UF0 configuration/interface/endpoint descriptor register 75	UF0CIE75	R/W		√		Undefined
0020025EH	UF0 configuration/interface/endpoint descriptor register 76	UF0CIE76	R/W		√		Undefined
00200260H	UF0 configuration/interface/endpoint descriptor register 77	UF0CIE77	R/W		√		Undefined
00200262H	UF0 configuration/interface/endpoint descriptor register 78	UF0CIE78	R/W		√		Undefined
00200264H	UF0 configuration/interface/endpoint descriptor register 79	UF0CIE79	R/W		√		Undefined
00200266H	UF0 configuration/interface/endpoint descriptor register 80	UF0CIE80	R/W		√		Undefined
00200268H	UF0 configuration/interface/endpoint descriptor register 81	UF0CIE81	R/W		√		Undefined
0020026AH	UF0 configuration/interface/endpoint descriptor register 82	UF0CIE82	R/W		√		Undefined
0020026CH	UF0 configuration/interface/endpoint descriptor register 83	UF0CIE83	R/W		√		Undefined
0020026EH	UF0 configuration/interface/endpoint descriptor register 84	UF0CIE84	R/W		√		Undefined
00200270H	UF0 configuration/interface/endpoint descriptor register 85	UF0CIE85	R/W		√		Undefined
00200272H	UF0 configuration/interface/endpoint descriptor register 86	UF0CIE86	R/W		√		Undefined
00200274H	UF0 configuration/interface/endpoint descriptor register 87	UF0CIE87	R/W		√		Undefined
00200276H	UF0 configuration/interface/endpoint descriptor register 88	UF0CIE88	R/W		√		Undefined
00200278H	UF0 configuration/interface/endpoint descriptor register 89	UF0CIE89	R/W		√		Undefined
0020027AH	UF0 configuration/interface/endpoint descriptor register 90	UF0CIE90	R/W		√		Undefined
0020027CH	UF0 configuration/interface/endpoint descriptor register 91	UF0CIE91	R/W		√		Undefined

(6/13)

Address	Function Register Name	Symbol	R/W	Manipulatable Bits			Default Value
				1	8	16	
0020027EH	UF0 configuration/interface/endpoint descriptor register 92	UF0CIE92	R/W		√		Undefined
00200280H	UF0 configuration/interface/endpoint descriptor register 93	UF0CIE93	R/W		√		Undefined
00200282H	UF0 configuration/interface/endpoint descriptor register 94	UF0CIE94	R/W		√		Undefined
00200284H	UF0 configuration/interface/endpoint descriptor register 95	UF0CIE95	R/W		√		Undefined
00200286H	UF0 configuration/interface/endpoint descriptor register 96	UF0CIE96	R/W		√		Undefined
00200288H	UF0 configuration/interface/endpoint descriptor register 97	UF0CIE97	R/W		√		Undefined
0020028AH	UF0 configuration/interface/endpoint descriptor register 98	UF0CIE98	R/W		√		Undefined
0020028CH	UF0 configuration/interface/endpoint descriptor register 99	UF0CIE99	R/W		√		Undefined
0020028EH	UF0 configuration/interface/endpoint descriptor register 100	UF0CIE100	R/W		√		Undefined
00200290H	UF0 configuration/interface/endpoint descriptor register 101	UF0CIE101	R/W		√		Undefined
00200292H	UF0 configuration/interface/endpoint descriptor register 102	UF0CIE102	R/W		√		Undefined
00200294H	UF0 configuration/interface/endpoint descriptor register 103	UF0CIE103	R/W		√		Undefined
00200296H	UF0 configuration/interface/endpoint descriptor register 104	UF0CIE104	R/W		√		Undefined
00200298H	UF0 configuration/interface/endpoint descriptor register 105	UF0CIE105	R/W		√		Undefined
0020029AH	UF0 configuration/interface/endpoint descriptor register 106	UF0CIE106	R/W		√		Undefined
0020029CH	UF0 configuration/interface/endpoint descriptor register 107	UF0CIE107	R/W		√		Undefined
0020029EH	UF0 configuration/interface/endpoint descriptor register 108	UF0CIE108	R/W		√		Undefined
002002A0H	UF0 configuration/interface/endpoint descriptor register 109	UF0CIE109	R/W		√		Undefined
002002A2H	UF0 configuration/interface/endpoint descriptor register 110	UF0CIE110	R/W		√		Undefined
002002A4H	UF0 configuration/interface/endpoint descriptor register 111	UF0CIE111	R/W		√		Undefined
002002A6H	UF0 configuration/interface/endpoint descriptor register 112	UF0CIE112	R/W		√		Undefined
002002A8H	UF0 configuration/interface/endpoint descriptor register 113	UF0CIE113	R/W		√		Undefined

(7/13)

Address	Function Register Name	Symbol	R/W	Manipulatable Bits			Default Value
				1	8	16	
002002AAH	UF0 configuration/interface/endpoint descriptor register 114	UF0CIE114	R/W		√		Undefined
002002ACH	UF0 configuration/interface/endpoint descriptor register 115	UF0CIE115	R/W		√		Undefined
002002AEH	UF0 configuration/interface/endpoint descriptor register 116	UF0CIE116	R/W		√		Undefined
002002B0H	UF0 configuration/interface/endpoint descriptor register 117	UF0CIE117	R/W		√		Undefined
002002B2H	UF0 configuration/interface/endpoint descriptor register 118	UF0CIE118	R/W		√		Undefined
002002B4H	UF0 configuration/interface/endpoint descriptor register 119	UF0CIE119	R/W		√		Undefined
002002B6H	UF0 configuration/interface/endpoint descriptor register 120	UF0CIE120	R/W		√		Undefined
002002B8H	UF0 configuration/interface/endpoint descriptor register 121	UF0CIE121	R/W		√		Undefined
002002BAH	UF0 configuration/interface/endpoint descriptor register 122	UF0CIE122	R/W		√		Undefined
002002BCH	UF0 configuration/interface/endpoint descriptor register 123	UF0CIE123	R/W		√		Undefined
002002BEH	UF0 configuration/interface/endpoint descriptor register 124	UF0CIE124	R/W		√		Undefined
002002C0H	UF0 configuration/interface/endpoint descriptor register 125	UF0CIE125	R/W		√		Undefined
002002C2H	UF0 configuration/interface/endpoint descriptor register 126	UF0CIE126	R/W		√		Undefined
002002C4H	UF0 configuration/interface/endpoint descriptor register 127	UF0CIE127	R/W		√		Undefined
002002C6H	UF0 configuration/interface/endpoint descriptor register 128	UF0CIE128	R/W		√		Undefined
002002C8H	UF0 configuration/interface/endpoint descriptor register 129	UF0CIE129	R/W		√		Undefined
002002CAH	UF0 configuration/interface/endpoint descriptor register 130	UF0CIE130	R/W		√		Undefined
002002CCH	UF0 configuration/interface/endpoint descriptor register 131	UF0CIE131	R/W		√		Undefined
002002CEH	UF0 configuration/interface/endpoint descriptor register 132	UF0CIE132	R/W		√		Undefined
002002D0H	UF0 configuration/interface/endpoint descriptor register 133	UF0CIE133	R/W		√		Undefined
002002D2H	UF0 configuration/interface/endpoint descriptor register 134	UF0CIE134	R/W		√		Undefined
002002D4H	UF0 configuration/interface/endpoint descriptor register 135	UF0CIE135	R/W		√		Undefined

(8/13)

Address	Function Register Name	Symbol	R/W	Manipulatable Bits			Default Value
				1	8	16	
002002D6H	UF0 configuration/interface/endpoint descriptor register 136	UF0CIE136	R/W		√		Undefined
002002D8H	UF0 configuration/interface/endpoint descriptor register 137	UF0CIE137	R/W		√		Undefined
002002DAH	UF0 configuration/interface/endpoint descriptor register 138	UF0CIE138	R/W		√		Undefined
002002DCH	UF0 configuration/interface/endpoint descriptor register 139	UF0CIE139	R/W		√		Undefined
002002DEH	UF0 configuration/interface/endpoint descriptor register 140	UF0CIE140	R/W		√		Undefined
002002E0H	UF0 configuration/interface/endpoint descriptor register 141	UF0CIE141	R/W		√		Undefined
002002E2H	UF0 configuration/interface/endpoint descriptor register 142	UF0CIE142	R/W		√		Undefined
002002E4H	UF0 configuration/interface/endpoint descriptor register 143	UF0CIE143	R/W		√		Undefined
002002E6H	UF0 configuration/interface/endpoint descriptor register 144	UF0CIE144	R/W		√		Undefined
002002E8H	UF0 configuration/interface/endpoint descriptor register 145	UF0CIE145	R/W		√		Undefined
002002EAH	UF0 configuration/interface/endpoint descriptor register 146	UF0CIE146	R/W		√		Undefined
002002ECH	UF0 configuration/interface/endpoint descriptor register 147	UF0CIE147	R/W		√		Undefined
002002EEH	UF0 configuration/interface/endpoint descriptor register 148	UF0CIE148	R/W		√		Undefined
002002F0H	UF0 configuration/interface/endpoint descriptor register 149	UF0CIE149	R/W		√		Undefined
002002F2H	UF0 configuration/interface/endpoint descriptor register 150	UF0CIE150	R/W		√		Undefined
002002F4H	UF0 configuration/interface/endpoint descriptor register 151	UF0CIE151	R/W		√		Undefined
002002F6H	UF0 configuration/interface/endpoint descriptor register 152	UF0CIE152	R/W		√		Undefined
002002F8H	UF0 configuration/interface/endpoint descriptor register 153	UF0CIE153	R/W		√		Undefined
002002FAH	UF0 configuration/interface/endpoint descriptor register 154	UF0CIE154	R/W		√		Undefined
002002FCH	UF0 configuration/interface/endpoint descriptor register 155	UF0CIE155	R/W		√		Undefined
002002FEH	UF0 configuration/interface/endpoint descriptor register 156	UF0CIE156	R/W		√		Undefined
00200300H	UF0 configuration/interface/endpoint descriptor register 157	UF0CIE157	R/W		√		Undefined

(9/13)

Address	Function Register Name	Symbol	R/W	Manipulatable Bits			Default Value
				1	8	16	
00200302H	UF0 configuration/interface/endpoint descriptor register 158	UF0CIE158	R/W		√		Undefined
00200304H	UF0 configuration/interface/endpoint descriptor register 159	UF0CIE159	R/W		√		Undefined
00200306H	UF0 configuration/interface/endpoint descriptor register 160	UF0CIE160	R/W		√		Undefined
00200308H	UF0 configuration/interface/endpoint descriptor register 161	UF0CIE161	R/W		√		Undefined
0020030AH	UF0 configuration/interface/endpoint descriptor register 162	UF0CIE162	R/W		√		Undefined
0020030CH	UF0 configuration/interface/endpoint descriptor register 163	UF0CIE163	R/W		√		Undefined
0020030EH	UF0 configuration/interface/endpoint descriptor register 164	UF0CIE164	R/W		√		Undefined
00200310H	UF0 configuration/interface/endpoint descriptor register 165	UF0CIE165	R/W		√		Undefined
00200312H	UF0 configuration/interface/endpoint descriptor register 166	UF0CIE166	R/W		√		Undefined
00200314H	UF0 configuration/interface/endpoint descriptor register 167	UF0CIE167	R/W		√		Undefined
00200316H	UF0 configuration/interface/endpoint descriptor register 168	UF0CIE168	R/W		√		Undefined
00200318H	UF0 configuration/interface/endpoint descriptor register 169	UF0CIE169	R/W		√		Undefined
0020031AH	UF0 configuration/interface/endpoint descriptor register 170	UF0CIE170	R/W		√		Undefined
0020031CH	UF0 configuration/interface/endpoint descriptor register 171	UF0CIE171	R/W		√		Undefined
0020031EH	UF0 configuration/interface/endpoint descriptor register 172	UF0CIE172	R/W		√		Undefined
00200320H	UF0 configuration/interface/endpoint descriptor register 173	UF0CIE173	R/W		√		Undefined
00200322H	UF0 configuration/interface/endpoint descriptor register 174	UF0CIE174	R/W		√		Undefined
00200324H	UF0 configuration/interface/endpoint descriptor register 175	UF0CIE175	R/W		√		Undefined
00200326H	UF0 configuration/interface/endpoint descriptor register 176	UF0CIE176	R/W		√		Undefined
00200328H	UF0 configuration/interface/endpoint descriptor register 177	UF0CIE177	R/W		√		Undefined
0020032AH	UF0 configuration/interface/endpoint descriptor register 178	UF0CIE178	R/W		√		Undefined
0020032CH	UF0 configuration/interface/endpoint descriptor register 179	UF0CIE179	R/W		√		Undefined

(10/13)

Address	Function Register Name	Symbol	R/W	Manipulatable Bits			Default Value
				1	8	16	
0020032EH	UF0 configuration/interface/endpoint descriptor register 180	UF0CIE180	R/W		√		Undefined
00200330H	UF0 configuration/interface/endpoint descriptor register 181	UF0CIE181	R/W		√		Undefined
00200332H	UF0 configuration/interface/endpoint descriptor register 182	UF0CIE182	R/W		√		Undefined
00200334H	UF0 configuration/interface/endpoint descriptor register 183	UF0CIE183	R/W		√		Undefined
00200336H	UF0 configuration/interface/endpoint descriptor register 184	UF0CIE184	R/W		√		Undefined
00200338H	UF0 configuration/interface/endpoint descriptor register 185	UF0CIE185	R/W		√		Undefined
0020033AH	UF0 configuration/interface/endpoint descriptor register 186	UF0CIE186	R/W		√		Undefined
0020033CH	UF0 configuration/interface/endpoint descriptor register 187	UF0CIE187	R/W		√		Undefined
0020033EH	UF0 configuration/interface/endpoint descriptor register 188	UF0CIE188	R/W		√		Undefined
00200340H	UF0 configuration/interface/endpoint descriptor register 189	UF0CIE189	R/W		√		Undefined
00200342H	UF0 configuration/interface/endpoint descriptor register 190	UF0CIE190	R/W		√		Undefined
00200344H	UF0 configuration/interface/endpoint descriptor register 191	UF0CIE191	R/W		√		Undefined
00200346H	UF0 configuration/interface/endpoint descriptor register 192	UF0CIE192	R/W		√		Undefined
00200348H	UF0 configuration/interface/endpoint descriptor register 193	UF0CIE193	R/W		√		Undefined
0020034AH	UF0 configuration/interface/endpoint descriptor register 194	UF0CIE194	R/W		√		Undefined
0020034CH	UF0 configuration/interface/endpoint descriptor register 195	UF0CIE195	R/W		√		Undefined
0020034EH	UF0 configuration/interface/endpoint descriptor register 196	UF0CIE196	R/W		√		Undefined
00200350H	UF0 configuration/interface/endpoint descriptor register 197	UF0CIE197	R/W		√		Undefined
00200352H	UF0 configuration/interface/endpoint descriptor register 198	UF0CIE198	R/W		√		Undefined
00200354H	UF0 configuration/interface/endpoint descriptor register 199	UF0CIE199	R/W		√		Undefined
00200356H	UF0 configuration/interface/endpoint descriptor register 200	UF0CIE200	R/W		√		Undefined
00200358H	UF0 configuration/interface/endpoint descriptor register 201	UF0CIE201	R/W		√		Undefined

(11/13)

Address	Function Register Name	Symbol	R/W	Manipulatable Bits			Default Value
				1	8	16	
0020035AH	UF0 configuration/interface/endpoint descriptor register 202	UF0CIE202	R/W		√		Undefined
0020035CH	UF0 configuration/interface/endpoint descriptor register 203	UF0CIE203	R/W		√		Undefined
0020035EH	UF0 configuration/interface/endpoint descriptor register 204	UF0CIE204	R/W		√		Undefined
00200360H	UF0 configuration/interface/endpoint descriptor register 205	UF0CIE205	R/W		√		Undefined
00200362H	UF0 configuration/interface/endpoint descriptor register 206	UF0CIE206	R/W		√		Undefined
00200364H	UF0 configuration/interface/endpoint descriptor register 207	UF0CIE207	R/W		√		Undefined
00200366H	UF0 configuration/interface/endpoint descriptor register 208	UF0CIE208	R/W		√		Undefined
00200368H	UF0 configuration/interface/endpoint descriptor register 209	UF0CIE209	R/W		√		Undefined
0020036AH	UF0 configuration/interface/endpoint descriptor register 210	UF0CIE210	R/W		√		Undefined
0020036CH	UF0 configuration/interface/endpoint descriptor register 211	UF0CIE211	R/W		√		Undefined
0020036EH	UF0 configuration/interface/endpoint descriptor register 212	UF0CIE212	R/W		√		Undefined
00200370H	UF0 configuration/interface/endpoint descriptor register 213	UF0CIE213	R/W		√		Undefined
00200372H	UF0 configuration/interface/endpoint descriptor register 214	UF0CIE214	R/W		√		Undefined
00200374H	UF0 configuration/interface/endpoint descriptor register 215	UF0CIE215	R/W		√		Undefined
00200376H	UF0 configuration/interface/endpoint descriptor register 216	UF0CIE216	R/W		√		Undefined
00200378H	UF0 configuration/interface/endpoint descriptor register 217	UF0CIE217	R/W		√		Undefined
0020037AH	UF0 configuration/interface/endpoint descriptor register 218	UF0CIE218	R/W		√		Undefined
0020037CH	UF0 configuration/interface/endpoint descriptor register 219	UF0CIE219	R/W		√		Undefined
0020037EH	UF0 configuration/interface/endpoint descriptor register 220	UF0CIE220	R/W		√		Undefined
00200380H	UF0 configuration/interface/endpoint descriptor register 221	UF0CIE221	R/W		√		Undefined
00200382H	UF0 configuration/interface/endpoint descriptor register 222	UF0CIE222	R/W		√		Undefined
00200384H	UF0 configuration/interface/endpoint descriptor register 223	UF0CIE223	R/W		√		Undefined

(12/13)

Address	Function Register Name	Symbol	R/W	Manipulatable Bits			Default Value
				1	8	16	
00200386H	UF0 configuration/interface/endpoint descriptor register 224	UF0CIE224	R/W		√		Undefined
00200388H	UF0 configuration/interface/endpoint descriptor register 225	UF0CIE225	R/W		√		Undefined
0020038AH	UF0 configuration/interface/endpoint descriptor register 226	UF0CIE226	R/W		√		Undefined
0020038CH	UF0 configuration/interface/endpoint descriptor register 227	UF0CIE227	R/W		√		Undefined
0020038EH	UF0 configuration/interface/endpoint descriptor register 228	UF0CIE228	R/W		√		Undefined
00200390H	UF0 configuration/interface/endpoint descriptor register 229	UF0CIE229	R/W		√		Undefined
00200392H	UF0 configuration/interface/endpoint descriptor register 230	UF0CIE230	R/W		√		Undefined
00200394H	UF0 configuration/interface/endpoint descriptor register 231	UF0CIE231	R/W		√		Undefined
00200396H	UF0 configuration/interface/endpoint descriptor register 232	UF0CIE232	R/W		√		Undefined
00200398H	UF0 configuration/interface/endpoint descriptor register 233	UF0CIE233	R/W		√		Undefined
0020039AH	UF0 configuration/interface/endpoint descriptor register 234	UF0CIE234	R/W		√		Undefined
0020039CH	UF0 configuration/interface/endpoint descriptor register 235	UF0CIE235	R/W		√		Undefined
0020039EH	UF0 configuration/interface/endpoint descriptor register 236	UF0CIE236	R/W		√		Undefined
002003A0H	UF0 configuration/interface/endpoint descriptor register 237	UF0CIE237	R/W		√		Undefined
002003A2H	UF0 configuration/interface/endpoint descriptor register 238	UF0CIE238	R/W		√		Undefined
002003A4H	UF0 configuration/interface/endpoint descriptor register 239	UF0CIE239	R/W		√		Undefined
002003A6H	UF0 configuration/interface/endpoint descriptor register 240	UF0CIE240	R/W		√		Undefined
002003A8H	UF0 configuration/interface/endpoint descriptor register 241	UF0CIE241	R/W		√		Undefined
002003AAH	UF0 configuration/interface/endpoint descriptor register 242	UF0CIE242	R/W		√		Undefined
002003ACH	UF0 configuration/interface/endpoint descriptor register 243	UF0CIE243	R/W		√		Undefined
002003AEH	UF0 configuration/interface/endpoint descriptor register 244	UF0CIE244	R/W		√		Undefined
002003B0H	UF0 configuration/interface/endpoint descriptor register 245	UF0CIE245	R/W		√		Undefined

(13/13)

Address	Function Register Name	Symbol	R/W	Manipulatable Bits			Default Value
				1	8	16	
002003B2H	UF0 configuration/interface/endpoint descriptor register 246	UF0CIE246	R/W		√		Undefined
002003B4H	UF0 configuration/interface/endpoint descriptor register 247	UF0CIE247	R/W		√		Undefined
002003B6H	UF0 configuration/interface/endpoint descriptor register 248	UF0CIE248	R/W		√		Undefined
002003B8H	UF0 configuration/interface/endpoint descriptor register 249	UF0CIE249	R/W		√		Undefined
002003BAH	UF0 configuration/interface/endpoint descriptor register 250	UF0CIE250	R/W		√		Undefined
002003BCH	UF0 configuration/interface/endpoint descriptor register 251	UF0CIE251	R/W		√		Undefined
002003BEH	UF0 configuration/interface/endpoint descriptor register 252	UF0CIE252	R/W		√		Undefined
002003C0H	UF0 configuration/interface/endpoint descriptor register 253	UF0CIE253	R/W		√		Undefined
002003C2H	UF0 configuration/interface/endpoint descriptor register 254	UF0CIE254	R/W		√		Undefined
002003C4H	UF0 configuration/interface/endpoint descriptor register 255	UF0CIE255	R/W		√		Undefined

(4) Bridge register

Address	Function Register Name	Symbol	R/W	Manipulatable Bits			Default Value
				1	8	16	
00200400H	Bridge interrupt control register	BRGINTT	R/W			√	0000H
00200402H	Bridge interrupt enable register	BRGINTE	R/W			√	0000H
00200404H	EPC macro control register	EPCCLT	R/W			√	0000H
00200408H	CPU I/F bus control register	CPUBCTL	R/W			√	0000H

(5) DMA register

Address	Function Register Name	Symbol	R/W	Manipulatable Bits			Default Value
				1	8	16	
00200500H	EP1 DMA control register 1	UF0E1DC1	R/W			√	0000H
00200502H	EP1 DMA control register 2	UF0E1DC2	R/W			√	0000H
00200504H	EP2 DMA control register 1	UF0E2DC1	R/W			√	0000H
00200506H	EP2 DMA control register 2	UF0E2DC2	R/W			√	0000H
00200508H	EP3 DMA control register 1	UF0E3DC1	R/W			√	0000H
0020050AH	EP3 DMA control register 2	UF0E3DC2	R/W			√	0000H
0020050CH	EP4 DMA control register 1	UF0E4DC1	R/W			√	0000H
0020050EH	EP4 DMA control register 2	UF0E4DC2	R/W			√	0000H

(6) Bulk-in register

Address	Function Register Name	Symbol	R/W	Manipulatable Bits			Default Value
				1	8	16	
00201000H	UF0 EP1 bulk-in transfer data register	UF0EP1BI	W			√	0000H
00202000H	UF0 EP3 bulk-in transfer data register	UF0EP3BI	W			√	0000H

(7) Bulk-out register

Address	Function Register Name	Symbol	R/W	Manipulatable Bits			Default Value
				1	8	16	
00210000H	UF0 EP2 bulk-out transfer data register	UF0EP2BO	R		√	√	0000H
00220000H	UF0 EP4 bulk-out transfer data register	UF0EP4BO	R		√	√	0000H

(8) Peripheral control register

Address	Function Register Name	Symbol	R/W	Manipulatable Bits			Default Value
				1	8	16	
00240000H	USBF DMA request enable register	UFDRQEN	R/W		√	√	0000H

20.6.3 EPC control registers

(1) UF0 EP0NAK register (UF0E0N)

This register controls NAK of Endpoint0 (except an automatically executed request).

This register can be read or written in 8-bit units (however, bit 0 can only be read).

It takes five USB clocks to reflect the status on this register after the UF0FIC0 and UF0FIC1 registers have been set. If it is necessary to read the status correctly, therefore, separate a write signal that accesses the UF0FIC0 and UF0FIC1 registers from a read signal that accesses the UF0EPS0, UF0EPS1, UF0EPS2, UF0E0N, and UF0EN registers by at least four USB clocks.

While NAK is being transmitted to Endpoint0 Read, Endpoint2, and Endpoint4, a write access to the EP0NKR bit is ignored.

	7	6	5	4	3	2	1	0	Address	After reset
UF0E0N	0	0	0	0	0	0	EP0NKR	EP0NKW	00200000H	00H

Bit position	Bit name	Function
1	EP0NKR	<p>This bit controls NAK to the OUT token to Endpoint0 (except an automatically executed request). It is automatically set to 1 by hardware when Endpoint0 has correctly received data. It is also cleared to 0 by hardware when the data of the UF0E0R register has been read by FW (counter value = 0).</p> <p>1: Transmit NAK. 0: Do not transmit NAK (default value).</p> <p>Set this bit to 1 by FW when data should not be received from the USB bus for some reason even when USBF is ready for receiving data. In this case, USBF continues transmitting NAK until this bit is cleared to 0 by FW. This bit is also cleared to 0 as soon as the UF0E0R register has been cleared.</p>
0	EP0NKW	<p>This bit indicates how NAK to the IN token to Endpoint0 is controlled (except an automatically executed request). This bit is automatically cleared to 0 by hardware when the data of Endpoint0 is transmitted and the host correctly receives the transmitted data. The data of the UF0E0W register is retained until this bit is cleared. Therefore, it is not necessary to rewrite this bit even in the case of a retransmission request that is made if the host could not receive data correctly. To send a short packet, be sure to set the E0DED bit of the UF0DEND register to 1. This bit is automatically set to 1 when the FIFO is full. As soon as the E0DED bit of the UF0DEND register is set to 1, the EP0NKW bit is automatically set to 1 at the same time.</p> <p>1: Do not transmit NAK. 0: Transmit NAK (default value).</p> <p>If control transfer enters the status stage while ACK cannot be correctly received in the data stage, this bit is cleared to 0 as soon as the UF0E0W register is cleared. This bit is also cleared to 0 when UF0E0W is cleared by FW.</p>

Next, the procedure of a SETUP transaction that uses IN/OUT tokens is explained below.

(a) When IN token is used (except a request automatically executed by hardware)

FW should be used to clear the PROT bit of the UF0IS1 register to 0 after receiving the CPUDEC interrupt and before reading data from the UF0E0ST register. Next, perform processing in accordance with the request and, if it is necessary to return data by an IN token, write data to the UF0E0W register. Confirm that the PROT bit of the UF0IS1 register is 0 after writing has been completed, and set the E0DED bit of the UF0DEND register to 1. The hardware sends out data at the first IN token after the EP0NKW bit has been set to 1. If the PROT bit of the UF0IS1 register is 1, it indicates that a SETUP transaction has occurred again before completion of control transfer. In this case, clear the PROT bit of the UF0IS1 register to 0 by clearing the PROTC bit of the UF0IC1 register to 0, and then read data from the UF0E0ST register again. A request received later can be read.

(b) When OUT token is used (except a request automatically executed by hardware)

FW should be used to clear the PROT bit of the UF0IS1 register after receiving the CPUDEC interrupt and before reading data from the UF0E0ST register. Confirm that the PROT bit of the UF0IS1 register is 0 before reading data from the UF0E0R register. If the PROT bit is 1, it means that invalid data is retained. Clear the FIFO by FW (the EP0NKR bit is automatically cleared to 0). If the PROT bit of the UF0IS1 register is 0, read the data of the UF0E0L register and read as many data from the UF0E0R register as set. When reading data from the UF0E0R register has been completed (when the counter of the UF0E0R register has been cleared to 0), the hardware automatically clears the EP0NKR bit to 0.

(2) UF0 EP0NAKALL register (UF0E0NA)

This register controls NAK to all the requests of Endpoint0. It is also valid for automatically executed requests. This register can be read or written in 8-bit units.

								7	6	5	4	3	2	1	0	Address	After reset
UF0E0NA								0	0	0	0	0	0	0	EP0NKA	00200002H	00H

Bit position	Bit name	Function
0	EP0NKA	<p>This bit controls NAK to a transaction other than a SETUP transaction to Endpoint0 (including an automatically executed request). This bit is manipulated by FW.</p> <p>1: Transmit NAK. 0: Do not transmit NAK (default value).</p> <p>This register is used to prevent a conflict between a write access by FW and a read access from SIE when the data used for an automatically executed request is to be changed. It postpones reflecting a write access on this bit from FW while an access from SIE is being made. Before rewriting the request data register from FW, confirm that this bit has been correctly set to 1.</p> <p>Setting this bit to 1 is reflected only in the following cases.</p> <ul style="list-style-type: none"> Immediately after USBF has been reset and a SETUP token has never been received Immediately after reception of Bus Reset and a SETUP token has never been received PID of a SETUP token has been detected The stage has been changed to the status stage <p>Clearing this bit to 0 is reflected immediately, except while an IN token is being received and a NAK response is being made.</p> <p>Setting the EP0NKA bit to 1 is reflected in the above four cases during Endpoint0 transfer, but it is reflected immediately after data has been written to the bit while Endpoint0 is transferring no data.</p>

(3) UF0 EPNAK register (UF0EN)

This register controls NAK of endpoints other than Endpoint0.

This register can be read or written in 8-bit units (however, bits 4, 1, and 0 can only be read).

The BKO2NK bit can be written only when the BKO2NKM bit of the UF0ENM register is 1 and the BKO1NK bit can be written only when the BKO1NKM bit of the UF0ENM register is 1.

The related bits are invalid if each endpoint is not supported by the setting of the UF0EnIM register (n = 1 to 4, 7) and the current setting of the interface.

It takes five USB clocks to reflect the status on this register after the UF0FIC0 and UF0FIC1 registers have been set. If it is necessary to read the status correctly, therefore, separate a write signal that accesses the UF0FIC0 and UF0FIC1 registers from a read signal that accesses the UF0EPS0, UF0EPS1, UF0EPS2, UF0E0N, and UF0EN registers by at least four USB clocks.

While NAK is being transmitted to Endpoint0 Read, Endpoint2, and Endpoint4, a write access to the BKO1NK and BKO2NK bits is ignored.

Be sure to clear bits 7 to 5 to "0". If it is set to 1, the operation is not guaranteed.

(1/4)

	7	6	5	4	3	2	1	0		
UF0EN	0	0	0	IT1NK	BKO2NK	BKO1NK	BKI2NK	BKI1NK	00200004H	00H

Bit position	Bit name	Function
4	IT1NK	This bit controls NAK to Endpoint7 (interrupt 1 transfer). It is automatically set to 1 and transmission is started when the UF0INT1 register has become full as a result of writing data to it. To send a short packet that does not make the FIFO full, set the IT1DEND bit of the UF0DEND register to 1. As soon as the IT1DEND bit has been set to 1, this bit is automatically set to 1. 1: Do not transmit NAK. 0: Transmit NAK (default value). This bit is also cleared to 0 when the UF0INT1 register has been cleared.

(2/4)

Bit position	Bit name	Function
3	BKO2NK	<p>This bit controls NAK to Endpoint4 (bulk 2 transfer (OUT)).</p> <p>1: Transmit NAK. 0: Do not transmit NAK (default value).</p> <p>This bit is set to 1 only when the FIFO connected to the SIE side of the UF0BO2 register (64-byte FIFO of bank configuration) cannot receive data. It is cleared to 0 when a toggle operation is performed. The bank is changed (toggle operation) when the following conditions are satisfied.</p> <ul style="list-style-type: none"> • Data correctly received is stored in the FIFO connected to the SIE side. • The value of the FIFO counter connected to the CPU side is 0 (completion of reading). <p>FW should be used to read data of the UF0BO2L register when it has received the BLKO2DT interrupt request and read as many data from the UF0BO2 register as the value of that data. To not receive data from the USB bus for some reason even if USBF is ready to receive data, set this bit to 1 by FW. In this case, USBF keeps transmitting NAK until the FW clears this bit to 0. This bit is also cleared to 0 as soon as the UF0BO2 register has been cleared.</p>
2	BKO1NK	<p>This bit controls NAK to Endpoint2 (bulk 1 transfer (OUT)).</p> <p>1: Transmit NAK. 0: Do not transmit NAK (default value).</p> <p>This bit is set to 1 only when the FIFO connected to the SIE side of the UF0BO1 register (64-byte FIFO of bank configuration) cannot receive data. It is cleared to 0 when a toggle operation is performed. The bank is changed (toggle operation) when the following conditions are satisfied.</p> <ul style="list-style-type: none"> • Data correctly received is stored in the FIFO connected to the SIE side. • The value of the FIFO counter connected to the CPU side is 0 (completion of reading). <p>FW should be used to read data of the UF0BO1L register when it has received the BLKO1DT interrupt request and read as many data from the UF0BO1 register as the value of that data. To not receive data from the USB bus for some reason even if USBF is ready to receive data, set this bit to 1 by FW. In this case, USBF keeps transmitting NAK until the FW clears this bit to 0. This bit is also cleared to 0 as soon as the UF0BO1 register has been cleared.</p>

- Cautions**
1. If DMA is enabled while data is being read from the UF0BO2 register in the PIO mode, a DMA request is immediately issued.
 2. If the last data of the FIFO on the CPU side is read in the DMA transfer mode, the DMA request signal becomes inactive.
 3. If the TC signal is received in the DMA transfer mode, the DMA request signal becomes inactive.

(3/4)

Bit position	Bit name	Function
1	BKI2NK	<p>This bit controls NAK to Endpoint3 (bulk 2 transfer (IN)).</p> <p>1: Do not transmit NAK. 0: Transmit NAK (default value).</p> <p>This bit is cleared to 0 only when the FIFO connected to the SIE side of the UF0BI2 register (64-byte FIFO of bank configuration) cannot receive data. It is set to 1 when a toggle operation is performed (the data of the UF0BI2 register is retained until transmission has been correctly completed). The bank is changed (toggle operation) when the following conditions are satisfied.</p> <ul style="list-style-type: none"> • Data is correctly written to the FIFO connected to the CPU bus side (writing has been completed and the FIFO is full or the UF0DEND register is set). • The value of the FIFO counter connected to the SIE side is 0. <p>This bit is automatically set to 1 and data transmission is started when the FIFO on the CPU side becomes full and a FIFO toggle operation is performed as a result of writing data to the FIFO. However, if the FIFO on the CPU side becomes full as a result of writing data to it by DMA while the BKI2T bit of the UF0DEND register is cleared to 0, the toggle operation is not performed because the condition of the toggle operation is not satisfied until the BKI2DED bit of the UF0DEND register is set to 1. To send a short packet that does not make the FIFO on the CPU side full, set the BKI2DED bit to 1 after completing writing data. When the BKI2DED bit is set to 1, a toggle operation is performed and at the same time, this bit is automatically set to 1. This bit is also cleared to 0 as soon as the UF0BI2 register has been cleared.</p>

- Cautions**
1. If DMA is enabled while data is being written to the UF0BI2 register in the PIO mode, a DMA request is immediately issued.
 2. If 64-byte data is written in the DMA transfer mode, the DMA request signal becomes inactive. If the BKI2NK bit is then set to 1, data is transmitted in synchronization with an IN token. The DMA request signal becomes active again as long as the DMA request is not masked as soon as the FIFO is toggled. If the BKI2NK bit is not set, data is not transmitted even if an IN token has been received. In this case, set the BKI2DED bit of the UF0DEND register to 1.
 3. If the TC signal is received in the DMA transfer mode, the DMA request signal becomes inactive. At the same time, the DMA request is masked. If the BKI2NK bit is not set to 1, data is not transmitted even if an IN token is received. When the BKI2DED bit of the UF0DEND register is set to 1 by FW, data is transmitted in synchronization with the IN token. To execute DMA transfer again, unmask the DMA request.

(4/4)

Bit position	Bit name	Function
0	BKI1NK	<p>This bit controls NAK to Endpoint1 (bulk 1 transfer (IN)).</p> <p>1: Do not transmit NAK. 0: Transmit NAK (default value).</p> <p>This bit is cleared to 0 only when the FIFO connected to the SIE side of the UF0B11 register (64-byte FIFO of bank configuration) cannot receive data. It is set to 1 when a toggle operation is performed (the data of the UF0B11 register is retained until transmission has been correctly completed). The bank is changed (toggle operation) when the following conditions are satisfied.</p> <ul style="list-style-type: none"> • Data is correctly written to the FIFO connected to the CPU bus side (writing has been completed and the FIFO is full or the UF0DEND register is set). • The value of the FIFO counter connected to the SIE side is 0. <p>This bit is automatically set to 1 and data transmission is started when the FIFO on the CPU side becomes full and a FIFO toggle operation is performed as a result of writing data to the FIFO. However, if the FIFO on the CPU side becomes full as a result of writing data to it by DMA while the BKI1T bit of the UF0DEND register is cleared to 0, the toggle operation is not performed because the condition of the toggle operation is not satisfied until the BKI1DED bit of the UF0DEND register is set to 1. To send a short packet that does not make the FIFO on the CPU side full, set the BKI1DED bit to 1 after completing writing data. When the BKI1DED bit is set to 1, a toggle operation is performed and at the same time, this bit is automatically set to 1. This bit is also cleared to 0 as soon as the UF0B11 register has been cleared.</p>

- Cautions**
1. If DMA is enabled while data is being written to the UF0B11 register in the PIO mode, a DMA request is immediately issued.
 2. If 64-byte data is written in the DMA transfer mode, the DMA request signal becomes inactive. If the BKI1NK bit is then set to 1, data is transmitted in synchronization with an IN token. The DMA request signal becomes active again as long as the DMA request is not masked as soon as the FIFO is toggled. If the BKI1NK bit is not set, data is not transmitted even if an IN token has been received. In this case, set the BKI1DED bit of the UF0DEND register to 1.
 3. If the TC signal is received in the DMA transfer mode, the DMA request signal becomes inactive. At the same time, the DMA request is masked. If the BKI1NK bit is not set to 1, data is not transmitted even if an IN token is received. When the BKI1DED bit of the UF0DEND register is set to 1 by FW, data is transmitted in synchronization with the IN token. To execute DMA transfer again, unmask the DMA request.

(4) UF0 EPNAK mask register (UF0ENM)

This register controls masking a write access to the UF0EN register.

This register can be read or written in 8-bit units.

Be sure to clear bits 7 to 4, 1, and 0 to "0". If it is set to 1, the operation is not guaranteed.

	7	6	5	4	3	2	1	0	Address	After reset
UF0ENM	0	0	0	0	BKO2NKM	BKO1NKM	0	0	00200006H	00H

Bit position	Bit name	Function
3	BKO2NKM	This bit specifies whether a write access to bit 3 (BKO2NK) of the UF0EN register is masked or not. 1: Do not mask. 0: Mask (default value).
2	BKO1NKM	This bit specifies whether a write access to bit 2 (BKO1NK) of the UF0EN register is masked or not. 1: Do not mask. 0: Mask (default value).

(5) UF0 SNDSIE register (UF0SDS)

This register performs manipulation such as no handshake. It can directly manipulate the pins of SIE.

This register can be read or written in 8-bit units.

Be sure to clear bit 2 to "0". If it is set to 1, the operation is not guaranteed.

	7	6	5	4	3	2	1	0	Address	After reset
UF0SDS	0	0	0	0	SNDSTL	0	0	RSUMIN	00200008H	00H

Bit position	Bit name	Function
3	SNDSTL	<p>This bit makes Endpoint0 issue a STALL handshake. Setting this bit to 1 if a request for CPUDEC processing is not supported by the system results in a STALL handshake response. If an unsupported wValue is sent by the SET_CONFIGURATION or SET_INTERFACE request, the hardware sets this bit to 1. If a problem occurs in Endpoint0 due to overrun of an automatically executed request, this bit is also set to 1. However, the E0HALT bit of the UF0E0SL register is not set to 1.</p> <p>1: Respond with STALL handshake. 0: Do not respond with STALL handshake (default value).</p> <p>This bit is cleared to 0 and the handshake response to the bus is other than STALL when the next SETUP token is received. To set the SNDSTL bit to 1 by FW, do not write data to the UF0E0W register. Depending on the timing of setting this bit, the STALL response is not made in time, and it may be made to the next transfer after a NAK response has been made.</p> <p>Setting this bit is valid only while an FW-executed request is under execution when this bit is set to 1. It is automatically cleared to 0 when the next SETUP token is received.</p> <p>Remark The SNDSTL bit is valid only for an FW-executed request.</p>
0	RSUMIN	<p>This bit outputs the Resume signal onto the USB bus. Writing this bit is invalid unless the RMWK bit of the UF0DSTL register is set to 1.</p> <p>1: Generate the Resume signal. 0: Do not generate the Resume signal (default value).</p> <p>While this bit is set to 1, the Resume signal continues to be generated. Clear this bit to 0 by FW after a specific time has elapsed. Because the signal is internally sampled at the clock, the operation is guaranteed only while CLK is supplied. Care must be exercised when CLK of the system is stopped.</p>

(6) UF0 CLR request register (UF0CLR)

This register indicates the target of the received CLEAR_FEATURE request.

This register is read-only, in 8-bit units.

This register is meaningful only when an interrupt request is generated. Each bit is set to 1 after completion of the status stage, and automatically cleared to 0 when this register is read.

The related bits are invalid if each endpoint is not supported by the setting of the UF0EnIM register ($n = 1$ to 4, 7) and the current setting of the interface.

								Address	After reset
	7	6	5	4	3	2	1	0	
UF0CLR	0	CLREP7	CLREP4	CLREP3	CLREP2	CLREP1	CLREP0	CLRDEV	0020000AH 00H

Bit position	Bit name	Function
6 to 1	CLREPN	These bits indicate that a CLEAR_FEATURE Endpoint n request is received and automatically processed. 1: Automatically processed 0: Not automatically processed (default value)
0	CLRDEV	This bit indicates that a CLEAR_FEATURE Device request is received and automatically processed. 1: Automatically processed 0: Not automatically processed (default value)

Remark $n = 0$ to 4, 7

(7) UF0 SET request register (UF0SET)

This register indicates the target of the automatically processed SET_XXXX (except SET_INTERFACE) request.

This register is read-only, in 8-bit units.

This register is meaningful only when an interrupt request is generated. Each bit is set to 1 after completion of the status stage, and automatically cleared to 0 when this register is read.

	7	6	5	4	3	2	1	0	Address	After reset
UF0SET	SETCON	0	0	0	0	SETEP	0	SETDEV	0020000CH	00H

Bit position	Bit name	Function
7	SETCON	This bit indicates that a SET_CONFIGURATION request is received and automatically processed. 1: Automatically processed 0: Not automatically processed (default value)
2	SETEP	This bit indicates that a SET_FEATURE Endpoint n request (n = 0 to 4, 7) is received and automatically processed. 1: Automatically processed 0: Not automatically processed (default value)
0	SETDEV	This bit indicates that a SET_FEATURE Device request is received and automatically processed. 1: Automatically processed 0: Not automatically processed (default value)

(8) UF0 EP status 0 register (UF0EPS0)

This register indicates the USB bus status and the presence or absence of register data.

This register is read-only, in 8-bit units.

The related bits are invalid if each endpoint is not supported by the setting of the UF0EnIM register (n = 1 to 4, 7) and the current setting of the interface.

It takes five USB clocks to reflect the status on this register after the UF0FIC0 and UF0FIC1 registers have been set. If it is necessary to read the status correctly, therefore, separate writing to the UF0FIC0 and UF0FIC1 registers from reading from the UF0EPS0, UF0EPS1, UF0EPS2, UF0E0N, and UF0EN registers by at least four USB clocks.

(1/2)

	7	6	5	4	3	2	1	0	Address	After reset
UF0EPS0	0	IT1	BKOUT2	BKOUT1	BKIN2	BKIN1	EP0W	EP0R	0020000EH	00H

Bit position	Bit name	Function
6	IT1	These bits indicate that data is in the UF0INT1 register (FIFO). By setting the IT1DEND bit of the UF0DEND register to 1, the status in which data is in the UF0INT1 register can be created even if data is not written to the register (Null data transmission). As soon as the IT1DEND bit of the UF0DEND register is set to 1 even when the counter of the UF0INT1 register is 0, this bit is set to 1 by hardware. It is cleared to 0 after correct transmission. 1: Data is in the register. 0: No data is in the register (default value).
5, 4	BKOUTn	These bits indicate that data is in the UF0BOn register (FIFO) connected to the CPU side. When the FIFO configuring the UF0BOn register is toggled, this bit is automatically set to 1 by hardware. It is automatically cleared to 0 by hardware when reading the UF0BOn register (FIFO) connected to the CPU side has been completed (counter value = 0). It is not set to 1 when Null data is received (toggling the FIFO does not take place either). 1: Data is in the register. 0: No data is in the register (default value).
3, 2	BKINn	These bits indicate that data is in the UF0BIn register (FIFO) connected to the CPU side. By setting the BKInDED bit of the UF0DEND register to 1, the status in which data is in the UF0BIn register can be created even if data is not written to the register (Null data transmission). As soon as the BKInDED bit of the UF0DEND register has been set to 1 while the counter of the UF0BIn register is 0, this bit is set to 1 by hardware. It is cleared to 0 when a toggle operation is performed. 1: Data is in the register. 0: No data is in the register (default value).

Remark n = 1, 2

(2/2)

Bit position	Bit name	Function
1	EP0W	<p>This bit indicates that data is in the UF0E0W register (FIFO). By setting the E0DED bit of the UF0DEND register to 1, the status in which data is in the UF0E0W register can be created even if data is not written to the register (Null data transmission). As soon as the E0DED bit of the UF0DEND register is set to 1 even when the counter of the UF0E0W register is 0, this bit is set to 1 by hardware. It is cleared to 0 after correct transmission.</p> <p>1: Data is in the register. 0: No data is in the register (default value).</p>
0	EP0R	<p>This bit indicates that data is in the UF0E0R register (FIFO). It is automatically cleared to 0 by hardware when reading the UF0E0R register (FIFO) has been completed (counter value = 0). It is not set to 1 if Null data is received.</p> <p>1: Data is in the register. 0: No data is in the register (default value).</p>

(9) UF0 EP status 1 register (UF0EPS1)

This register indicates the USB bus status and the presence or absence of register data.

This register is read-only, in 8-bit units.

								Address	After reset
	7	6	5	4	3	2	1	0	
UF0EPS1	RSUM	0	0	0	0	0	0	0	00200010H 00H

Bit position	Bit name	Function
7	RSUM	<p>This bit indicates that the USB bus is in the Resume status. This bit is meaningful only when an interrupt request is generated.</p> <p>1: Suspend status 0: Resume status (default value)</p> <p>Because sampling is internally performed with the clock, the operation is guaranteed only when CLK is supplied. Care must be exercised when CLK of the system is stopped. The INTUSBF1 signal of SIE operates even when CLK is stopped. It can therefore be supported by making the interrupt control register (UFIC1) valid or lowering the frequency of CLK to the USBF.</p> <p>This bit is automatically cleared to 0 when it is read.</p>

(10) UF0 EP status 2 register (UF0EPS2)

This register indicates the USB bus status and the presence or absence of register data.

This register is read-only, in 8-bit units.

The related bits are invalid if each endpoint is not supported by the setting of the UF0EnIM register (n = 1 to 4, 7) and the current setting of the interface.

	7	6	5	4	3	2	1	0	Address	After reset
UF0EPS2	0	0	HALT7	HALT4	HALT3	HALT2	HALT1	HALT0	00200012H	00H

Bit position	Bit name	Function
5 to 0	HALTn	<p>These bits indicate that Endpoint n is currently stalled. They are set to 1 when a stall condition, such as occurrence of an overrun and reception of an undefined request, is satisfied. These bits are automatically set to 1 by hardware.</p> <p>1: Endpoint is stalled. 0: Endpoint is not stalled (default value).</p> <p>The SNDSTL bit is set to 1 as soon as the HALT0 bit has been set to 1 as a result of occurrence of an overrun or reception of an undefined request. If the next SETUP token is received in this status, the SNDSTL bit is cleared to 0 and, therefore, the HALT0 bit is also cleared to 0. If Endpoint0 is stalled by the SET_FEATURE Endpoint0 request, this bit is not cleared to 0 until the CLEAR_FEATURE Endpoint0 request is received or Halt Feature is cleared by FW. If the GET_STATUS Endpoint0, CLEAR_FEATURE Endpoint0, or SET_FEATURE Endpoint0 request is received, or if a request to be processed by FW is received due to the CPUDEC interrupt request, the HALT0 bit is masked and cleared to 0, until the next SETUP token is received.</p> <p>The HALTn bit is not cleared to 0 until Endpoint n receives the CLEAR_FEATURE Endpoint request, Halt Feature is cleared by the SET_INTERFACE or SET_CONFIGURATION request to the interface to which the endpoint is linked, or Halt Feature is cleared by FW. When the SET_INTERFACE or SET_CONFIGURATION request is correctly processed, the Halt Feature of all the target endpoints, except Endpoint0, is cleared after the request has been processed, even if the wValue is the same as the currently set value, and these bits are also cleared to 0. Halt Feature of Endpoint0 cannot be cleared if it is set because the STALL response is made in response to the SET_INTERFACE and SET_CONFIGURATION requests.</p>

Remark n = 0 to 4, 7, 8

(11) UF0 INT status 0 register (UF0IS0)

This register indicates the interrupt source. If the contents of this register are changed, the EPCINT0B signal becomes active.

This register is read-only, in 8-bit units.

If an interrupt request (INTUSBF0) is generated from USBF, the FW must read this register to identify the interrupt source.

Each bit of this register is forcibly cleared to 0 when 0 is written to the corresponding bit of the UF0IC0 register.

Caution In the USBF, multiple interrupt sources, such as Bus Reset, Resume, and Short, are ORed internally and are issued as a single interrupt request (INTUSBF0). Therefore, in the case of the occurrence of multiple interrupt sources, they are ORed and issued as an INTUSBF0 interrupt request.

For example, if a Bus Reset interrupt source and Resume interrupt source occur, the two sources are ORed and an INTUSBF0 interrupt request is issued.

Under these conditions, if the Bus Reset interrupt source is cleared to 0 (UF0IC0.BUSRSTC = 0), the V850ES/JG3-L internal INTUSBF0 interrupt request may remain set to 1 since the Resume interrupt source will still remain. The new interrupt request flag (US0BIC.US0BIF), therefore, might not be set to 1.

In this case, after performing clear processing for each interrupt request with the INTUSBF0 interrupt servicing routine, confirm the flag status for the UF0IS0 and UF0IS1 registers again, and if there are any interrupt sources with flags set to 1, perform flag clearing (only the applicable bits need to be cleared (do not perform a batch clearing)).

(1/2)

7	6	5	4	3	2	1	0	Address	After reset	
UF0IS0	BUSRST	RSUSPD	0	SHORT	DMAED	SETRQ	CLRRQ	EPHALT	00200020H	00H

Bit position	Bit name	Function
7	BUSRST	This bit indicates that Bus Reset has occurred. 1: Bus Reset has occurred (interrupt request is generated). 0: Not Bus Reset status (default value)
6	RSUSPD	This bit indicates that the Resume or Suspend status has occurred. Reference bit 7 of the UF0EPS1 register by FW. 1: Resume or Suspend status has occurred (interrupt request is generated). 0: Resume or Suspend status has not occurred (default value).
4	SHORT	This bit indicates that data is read from the FIFO of either the UF0BO1 or UF0BO2 register and that the USBSPnB signal (n = 2, 4) is active. It is valid only when the FIFO is full in the DMA mode. 1: USBSPnB signal is active (interrupt request is generated). 0: USBSPnB signal is not active (default value). Identify on which endpoint the operation is performed, by using the UF0DMS1 register. This bit is not automatically cleared to 0 even when the UF0DMS1 register is read by FW.

(2/2)

Bit position	Bit name	Function
3	DMAED	<p>This bit indicates that the DMA end (TC) signal for Endpoint n (n = 1 to 4, 7) is active.</p> <p>1: DMA end signal for Endpoint n has been input (interrupt request is generated).</p> <p>0: DMA end signal for Endpoint n has not been input (default value).</p> <p>When this bit is set to 1, the DMA request signal for Endpoint n becomes inactive. The DMA request signal for Endpoint n does not become active unless FW enables DMA transfer.</p> <p>Use the UF0DMS0 register to confirm on which endpoint the operation is actually performed. However, this bit is not automatically cleared to 0 even if the UF0DMS0 register is read by FW.</p>
2	SETRQ	<p>This bit indicates that the SET_XXXX request to be automatically processed has been received and automatically processed (XXXX = CONFIGURATION or FEATURE).</p> <p>1: SET_XXXX request to be automatically processed has been received (interrupt request is generated).</p> <p>0: SET_XXXX request to be automatically processed has not been received (default value).</p> <p>This bit is set to 1 after completion of the status stage. Reference the UF0SET register to identify what is the target of the request. This bit is not automatically cleared to 0 even if the UF0SET register is read by FW.</p> <p>The EPHALT bit is also set to 1 when the SET_FEATURE Endpoint request has been received.</p>
1	CLRRQ	<p>This bit indicates that the CLEAR_FEATURE request has been received and automatically processed.</p> <p>1: CLEAR_FEATURE request has been received (interrupt request is generated).</p> <p>0: CLEAR_FEATURE request has not been received (default value).</p> <p>This bit is set to 1 after completion of the status stage. Reference the UF0CLR register to identify what is the target of the request. This bit is not automatically cleared to 0 even if the UF0CLR register is read by FW.</p>
0	EPHALT	<p>This bit indicates that an endpoint has stalled.</p> <p>1: Endpoint has stalled (interrupt request is generated).</p> <p>0: Endpoint has not stalled (default value).</p> <p>This bit is also set to 1 when an endpoint has stalled by setting FW.</p> <p>Identify the endpoint that has stalled, by referencing the UF0EPS2 register. This bit is not automatically cleared to 0 even when the CLEAR_FEATURE Endpoint, SET_INTERFACE, or SET_CONFIGURATION request is received. It is not automatically cleared to 0, either, if the next SETUP token is received in case of overrun of Endpoint0.</p> <p>Caution Even if Halt Feature of Endpoint0 is set and this interrupt request is generated, bit 0 of the UF0EPS2 register is masked and cleared to 0 between when a SET_FEATURE Endpoint0, CLEAR_FEATURE Endpoint0, or GET_STATUS Endpoint0 request, or FW-processed request is received and when a SETUP token other than the above is received.</p>

(12) UF0 INT status 1 register (UF0IS1)

This register indicates the interrupt source. If the contents of this register are changed, the EPCINT0B signal becomes active.

This register is read-only, in 8-bit units.

If an interrupt request (INTUSBF0) is generated from USBF, the FW must read this register to identify the interrupt source.

Each bit of this register is forcibly cleared to 0 when 0 is written to the corresponding bit of the UF0IC1 register. However, the SUCES and STG bits of the UF0IS1 register are automatically cleared to 0 when the next SETUP token has been received.

Caution In the USBF, multiple interrupt sources, such as Bus Reset, Resume, and Short, are ORed internally and are issued as a single interrupt request (INTUSBF0). Therefore, in the case of the occurrence of multiple interrupt sources, they are ORed and issued as an INTUSBF0 interrupt request.

For example, if a Bus Reset interrupt source and Resume interrupt source occur, the two sources are ORed and an INTUSBF0 interrupt request is issued.

Under these conditions, if the Bus Reset interrupt source is cleared to 0 (UF0IC0.BUSRSTC = 0), the V850ES/JG3-L internal INTUSBF0 interrupt request may remain set to 1 since the Resume interrupt source will still be remaining. The new interrupt request flag (US0BIC.US0BIF), therefore, might not be set to 1.

In this case, after performing clear processing for each interrupt request with the INTUSBF0 interrupt servicing routine, confirm the flag status for the UF0IS0 and UF0IS1 registers again, and if there are any interrupt sources with flags set to 1, perform flag clearing (only the applicable bits need to be cleared (do not perform a batch clearing)).

(1/2)

	7	6	5	4	3	2	1	0	Address	After reset
UF0IS1	0	E0IN	E0INDT	E0ODT	SUCES	STG	PROT	CPU DEC	00200022H	00H

Bit position	Bit name	Function
6	E0IN	This bit indicates that an IN token for Endpoint0 has been received and that the hardware has automatically transmitted NAK. 1: IN token is received and NAK is transmitted (interrupt request is generated). 0: IN token is not received (default value).
5	E0INDT	This bit indicates that data has been correctly transmitted from the UF0E0W register. 1: Transmission from UF0E0W register is completed (interrupt request is generated). 0: Transmission from UF0E0W register is not completed (default value). Data is transmitted in synchronization with the IN token next to the one that set the EP0NKW bit of the UF0E0N register to 1. This bit is automatically set to 1 by hardware when the host correctly receives that data. It is also set to 1 even if the data is a Null packet. This bit is automatically cleared to 0 by hardware when the first write access is made to the UF0E0W register.

(2/2)

Bit position	Bit name	Function
4	EODT	<p>This bit indicates that data has been correctly received in the UF0E0R register.</p> <p>1: Data is in UF0E0R register (interrupt request is generated). 0: Data is not in UF0E0R register (default value).</p> <p>This bit is automatically set to 1 by hardware when data has been correctly received. At the same time, the EPOR bit of the UF0EPS0 register is also set to 1. If a Null packet has been received, this bit is not set to 1. It is automatically cleared to 0 by hardware when the FW reads the UF0E0R register and the value of the UF0E0L register becomes 0.</p>
3	SUCES	<p>This bit indicates that either an FW-processed or hardware-processed request has been received and that the status stage has been correctly completed.</p> <p>1: Control transfer has been correctly processed (interrupt request is generated). 0: Control transfer has not been processed correctly (default value).</p> <p>This bit is set to 1 upon completion of the status stage. It is automatically cleared to 0 by hardware when the next SETUP token is received.</p> <p>This bit is also set to 1 when data with Data PID of 0 (Null data) is received in the status stage of control transfer.</p>
2	STG	<p>This bit is set to 1 when the stage of control transfer has changed to the status stage. It is valid for both FW-processed and hardware-processed requests. This bit is also set to 1 when the stage of control transfer (without data) has changed to the status stage.</p> <p>1: Status stage (interrupt request is generated) 0: Not status stage (default value)</p> <p>This bit is automatically cleared to 0 by hardware when the next SETUP token is received. It is also set to 1 when the stage of control transfer has changed to the status stage while ACK cannot be correctly received in the data stage. In this case, the EP0NKW bit of the UF0E0N register is also cleared to 0 as soon as the UF0E0W register has been cleared, if the FW is processing control transfer (read).</p>
1	PROT	<p>This bit indicates that a SETUP token has been received. It is valid for both FW-processed and hardware-processed requests.</p> <p>1: SETUP token is correctly received (interrupt request is generated). 0: SETUP token is not received (default value).</p> <p>This bit is set to 1 when data has been correctly received in the UF0E0ST register. Clear this bit to 0 by FW when the first read access is made to the UF0E0ST register. If it is not cleared to 0 by FW, reception of the next SETUP token cannot be correctly recognized.</p> <p>This bit is used to accurately recognize that a SETUP transaction has been executed again during control transfer. If the SETUP transaction is re-executed during control transfer and if a second request is executed by hardware, the CPUDEC bit is not set to 1, but the PROT bit can be used for recognition of the re-execution.</p>
0	CPUDEC	<p>This bit indicates that the UF0E0ST register has a request that is to be decoded by FW.</p> <p>1: Data is in UF0E0ST register (interrupt request is generated). 0: Data is not in UF0E0ST register (default value).</p> <p>This bit is automatically cleared to 0 by hardware when all the data of the UF0E0ST register is read.</p>

(13) UF0 INT status 2 register (UF0IS2)

This register indicates the interrupt source. If the contents of this register are changed, the EPCINT1B signal becomes active.

This register is read-only, in 8-bit units.

If an interrupt request (INTUSBF0) is generated from USBF, the FW must read this register to identify the interrupt source.

Each bit of this register is forcibly cleared to 0 when 0 is written to the corresponding bit of the UF0IC2 register.

The related bits are invalid if each endpoint is not supported by the setting of the UF0EnIM register (n = 1, 3, 7) and the current setting of the interface.

	7	6	5	4	3	2	1	0	Address	After reset
UF0IS2	BKI2IN	BKI2DT	BKI1IN	BKI1DT	0	0	0	IT1DT	00200024H	00H

Bit position	Bit name	Function
7, 5	BKInIN	These bits indicate that an IN token has been received in the UF0BIn register (Endpoint m) and that NAK has been returned. 1: IN token is received and NAK is transmitted (interrupt request is generated). 0: IN token is not received (default value).
6, 4	BKInDT	These bits indicate that the FIFO of the UF0BIn register (Endpoint m) has been toggled. This means that data can be written to Endpoint m. 1: FIFO has been toggled (interrupt request is generated). 0: FIFO has not been toggled (default value). The data written to Endpoint m is transmitted in synchronization with the IN token next to the one that set the BKInNK bit of the UF0EN register to 1. When the FIFO has been toggled and then data can be written from the CPU, this bit is automatically set to 1 by hardware. It is also set to 1 when the FIFO has been toggled, even if the data is a Null packet. This bit is automatically cleared to 0 by hardware when the first write access is made to the UF0BIn register.
0	IT1DT	These bits indicate that data has been correctly received from the UF0INT1 register (Endpoint x). 1: Transmission is completed (interrupt request is generated). 0: Transmission is not completed (default value). Data is transmitted in synchronization with the IN token next to the one that set the ITnNK bit of the UF0EN register to 1. This bit is automatically set to 1 by hardware when the host has correctly received that data. It is automatically cleared to 0 by hardware when the first write access is made to the UF0INT1 register. This bit is also set to 1 even when the data is a Null packet.

Remark n = 1, 2
 m = 1 and x = 7 where n = 1
 m = 3 where n = 2

(14) UF0 INT status 3 register (UF0IS3)

This register indicates the interrupt source. If the contents of this register are changed, the EPCINT1B signal becomes active.

This register is read-only, in 8-bit units.

If an interrupt request (INTUSBF0) is generated from USBF, the FW must read this register to identify the interrupt source.

Each bit of this register is forcibly cleared to 0 when 0 is written to the corresponding bit of the UF0IC3 register.

The related bits are invalid if each endpoint is not supported by the setting of the UF0EnIM register (n = 2, 4) and the current setting of the interface.

(1/2)

	7	6	5	4	3	2	1	0	Address	After reset
UF0IS3	BKO2FL	BKO2NL	BKO2 NAK	BKO2DT	BKO1FL	BKO1NL	BKO1 NAK	BKO1DT	00200026H	00H

Bit position	Bit name	Function
7, 3	BKOnFL	<p>These bits indicate that data has been correctly received in the UF0BOn register (Endpoint m) and that both the FIFOs of the CPU and SIE hold the data.</p> <p>1: Received data is in both the FIFOs of the UF0BOn register (interrupt request is generated).</p> <p>0: Received data is not in the FIFO on the SIE side of the UF0BOn register (default value).</p> <p>If data is held in both the FIFOs of the CPU and SIE, these bits are automatically set to 1 by hardware. They are automatically cleared to 0 by hardware when the FIFO is toggled.</p>
6, 2	BKOnNL	<p>These bits indicate that a Null packet (packet with a length of 0) has been received in the UF0BOn register (Endpoint m).</p> <p>1: Null packet is received (interrupt request is generated).</p> <p>0: Null packet is not received (default value).</p> <p>These bits are set to 1 immediately after reception of a Null packet when the FIFO is empty. They are set to 1 when the FIFO on the CPU side has been completely read if data is in that FIFO.</p>
5, 1	BKOnNAK	<p>These bits indicate that an OUT token has been received to the UF0BOn register (Endpoint m) and that NAK has been returned.</p> <p>1: OUT token is received and NAK is transmitted (interrupt request is generated).</p> <p>0: OUT token is not received (default value).</p>

Remark n = 1, 2
 m = 2 where n = 1
 m = 4 where n = 2

(2/2)

Bit position	Bit name	Function
4, 0	BKOnDT	<p>These bits indicate that data has been correctly received in the UF0BOn register (Endpoint m).</p> <p>1: Reception has been completed correctly (interrupt request is generated). 0: Reception has not been completed (default value).</p> <p>These bits are automatically set to 1 by hardware when data has been correctly received and the FIFO has been toggled. At the same time, the corresponding bits of the UF0EPS0 register are also set to 1. They are not set to 1 when the data is a Null packet. These bits are automatically cleared to 0 by hardware when the value of the UF0BOnL register becomes 0 as a result of reading the UF0BOn register by FW.</p> <p>These bits are automatically cleared to 0 when all the contents of the FIFO on the CPU side have been read. However, the interrupt request is not cleared if data is in the FIFO on the SIE side at this time, and the INTUSBF1 signal does not become inactive. The signal is kept active if data is successively received.</p>

Remark n = 1, 2
m = 2 where n = 1
m = 4 where n = 2

(15) UF0 INT status 4 register (UF0IS4)

This register indicates the interrupt source. If the contents of this register are changed, the EPCINT2B signal becomes active.

This register is read-only, in 8-bit units.

If an interrupt request (INTUSBF0) is generated from USBF, the FW must read this register to identify the interrupt source.

Each bit of this register is forcibly cleared to 0 when 0 is written to the corresponding bit of the UF0IC4 register.

The related bits are invalid if each endpoint is not supported by the setting of the UF0EnIM register (n = 1 to 4, 7) and the current setting of the interface.

	7	6	5	4	3	2	1	0	Address	After reset
UF0IS4	0	0	SETINT	0	0	0	0	0	00200028H	00H

Bit position	Bit name	Function
5	SETINT	<p>This bit indicates that the SET_INTERFACE request has been received and automatically processed.</p> <p>1: The request has been automatically processed (interrupt request is generated).</p> <p>0: The request has not been automatically processed (default value).</p> <p>The current setting of this bit can be identified by reading the UF0ASS or UF0IFn register (n = 0 to 4).</p>

(16) UF0 INT mask 0 register (UF0IM0)

This register controls masking of the interrupt sources indicated by the UF0IS0 register.

This register can be read or written in 8-bit units.

FW can mask occurrence of an interrupt request from USBF (INTUSBF0) by writing 1 to the corresponding bit of this register.

								Address	After reset									
UF0IM0	7	BUS	6	RSU	5	0	4	SHORTM	3	DMA	2	SET	1	CLR	0	EP	0020002EH	00H
		RSTM		SPDM						EDM		RQM		RQM		HALTM		

Bit position	Bit name	Function
7	BUSRSTM	This bit masks the Bus Reset interrupt. 1: Mask 0: Do not mask (default value)
6	RSUSPDM	This bit masks the Resume/Suspend interrupt. 1: Mask 0: Do not mask (default value)
4	SHORTM	This bit masks the Short interrupt. 1: Mask 0: Do not mask (default value)
3	DMAEDM	This bit masks the DMA_END interrupt. 1: Mask 0: Do not mask (default value)
2	SETRQM	This bit masks the SET_RQ interrupt. 1: Mask 0: Do not mask (default value)
1	CLRRQM	This bit masks the CLR_RQ interrupt. 1: Mask 0: Do not mask (default value)
0	EPHALTM	This bit masks the EP_Halt interrupt. 1: Mask 0: Do not mask (default value)

(17) UF0 INT mask 1 register (UF0IM1)

This register controls masking of the interrupt sources indicated by the UF0IS1 register.

This register can be read or written in 8-bit units.

FW can mask occurrence of an interrupt request from USBF (INTUSBF0) by writing 1 to the corresponding bit of this register.

	7	6	5	4	3	2	1	0	Address	After reset
UF0IM1	0	E0INM	E0 INDTM	E0 ODTM	SUCESM	STGM	PROTM	CPU DECM	00200030H	00H

Bit position	Bit name	Function
6	E0INM	This bit masks the EPOIN interrupt. 1: Mask 0: Do not mask (default value)
5	E0INDTM	This bit masks the EPOINDT interrupt. 1: Mask 0: Do not mask (default value)
4	E0ODTM	This bit masks the EPOOUTDT interrupt. 1: Mask 0: Do not mask (default value)
3	SUCESM	This bit masks the Success interrupt. 1: Mask 0: Do not mask (default value)
2	STGM	This bit masks the Stg interrupt. 1: Mask 0: Do not mask (default value)
1	PROTM	This bit masks the Protect interrupt. 1: Mask 0: Do not mask (default value)
0	CPUDECM	This bit masks the CPUDEC interrupt. 1: Mask 0: Do not mask (default value)

(18) UF0 INT mask 2 register (UF0IM2)

This register controls masking of the interrupt sources indicated by the UF0IS2 register.

This register can be read or written in 8-bit units.

FW can mask occurrence of an interrupt request from USBF (INTUSBF0) by writing 1 to the corresponding bit of this register.

The related bits are invalid if each endpoint is not supported by the setting of the UF0EnIM register (n = 1, 3, 7) and the current setting of the interface.

	7	6	5	4	3	2	1	0	Address	After reset
UF0IM2	BKI2INM	BKI2 DTM	BKI1INM	BKI1 DTM	0	0	0	IT1DTM	00200032H	00H

Bit position	Bit name	Function
7, 5	BKInINM	These bits mask the BLKInIN interrupt. 1: Mask 0: Do not mask (default value)
6, 4	BKInDTM	These bits mask the BLKInDT interrupt. 1: Mask 0: Do not mask (default value)
0	IT1DTM	These bits mask the INTnDT interrupt. 1: Mask 0: Do not mask (default value)

Remark n = 1, 2

(19) UF0 INT mask 3 register (UF0IM3)

This register controls masking of the interrupt sources indicated by the UF0IS3 register.

This register can be read or written in 8-bit units.

FW can mask occurrence of an interrupt request from USBF (INTUSBF0) by writing 1 to the corresponding bit of this register.

The related bits are invalid if each endpoint is not supported by the setting of the UF0EnIM register ($n = 2, 4$) and the current setting of the interface.

	7	6	5	4	3	2	1	0	Address	After reset
UF0IM3	BKO2	BKO2	BKO2	BKO2	BKO1	BKO1	BKO1	BKO1	00200034H	00H
	FLM	NLM	NAKM	DTM	FLM	NLM	NAKM	DTM		

Bit position	Bit name	Function
7, 3	BKOnFLM	These bits mask the BLKOnFL interrupt. 1: Mask 0: Do not mask (default value)
6, 2	BKOnNLM	These bits mask the BLKOnNL interrupt. 1: Mask 0: Do not mask (default value)
5, 1	BKOnNAKM	These bits mask the BLKOnNK interrupt. 1: Mask 0: Do not mask (default value)
4, 0	BKOnDTM	These bits mask the BLKOnDT interrupt. 1: Mask 0: Do not mask (default value)

Remark $n = 1, 2$

(20) UF0 INT mask 4 register (UF0IM4)

This register controls masking of the interrupt sources indicated by the UF0IS4 register.

This register can be read or written in 8-bit units.

FW can mask occurrence of an interrupt request from USBF (INTUSBF0) by writing 1 to the corresponding bit of this register.

The related bits are invalid if each endpoint is not supported by the setting of the UF0EnIM register (n = 1 to 4, 7) and the current setting of the interface.

	7	6	5	4	3	2	1	0	Address	After reset
UF0IM4	0	0	SETINTM	0	0	0	0	0	00200036H	00H

Bit position	Bit name	Function
5	SETINTM	This bit masks the SET_INT interrupt. 1: Mask 0: Do not mask (default value)

(21) UF0 INT clear 0 register (UF0IC0)

This register controls clearing the interrupt sources indicated by the UF0IS0 register.

This register is write-only, in 8-bit units. If this register is read, the value FFH is read.

FW can clear an interrupt source by writing 0 to the corresponding bit of this register. Even a bit that is automatically cleared to 0 by hardware can be cleared by FW before it is cleared by hardware. Writing 0 to a bit of this register automatically sets the bit to 1. Writing 1 is invalid.

								Address	After reset									
UF0IC0	7	BUS	6	RSU	5	1	4	SHORTC	3	DMA	2	SET	1	CLR	0	EP	0020003CH	FFH
	RSTC	SPDC			EDC	RQC	RQC	HALTC										

Bit position	Bit name	Function
7	BUSRSTC	This bit clears the Bus Reset interrupt. 0: Clear
6	RSUSPDC	This bit clears the Resume/Suspend interrupt. 0: Clear
4	SHORTC	This bit clears the Short interrupt. 0: Clear
3	DMAEDC	This bit clears the DMA_END interrupt. 0: Clear
2	SETRQC	This bit clears the SET_RQ interrupt. 0: Clear
1	CLRRQC	This bit clears the CLR_RQ interrupt. 0: Clear
0	EPHALTC	This bit clears the EP_Halt interrupt. 0: Clear

(22) UF0 INT clear 1 register (UF0IC1)

This register controls clearing the interrupt sources indicated by the UF0IS1 register.

This register is write-only, in 8-bit units. If this register is read, the value FFH is read.

FW can clear an interrupt source by writing 0 to the corresponding bit of this register. Even a bit that is automatically cleared to 0 by hardware can be cleared by FW before it is cleared by hardware. Writing 0 to a bit of this register automatically sets the bit to 1. Writing 1 is invalid.

	7	6	5	4	3	2	1	0	Address	After reset
UF0IC1	1	E0INC	E0 INDTC	E0ODTC	SUCESC	STGC	PROTC	CPU DECC	0020003EH	FFH

Bit position	Bit name	Function
6	E0INC	This bit clears the EP0IN interrupt. 0: Clear
5	E0INDTC	This bit clears the EP0INDT interrupt. 0: Clear
4	E0ODTC	This bit clears the EP0OUTDT interrupt. 0: Clear
3	SUCESC	This bit clears the Success interrupt. 0: Clear
2	STGC	This bit clears the Stg interrupt. 0: Clear
1	PROTC	This bit clears the Protect interrupt. 0: Clear
0	CPUDECC	This bit clears the CPUDEC interrupt. 0: Clear

(23) UF0 INT clear 2 register (UF0IC2)

This register controls clearing the interrupt sources indicated by the UF0IS2 register.

This register is write-only, in 8-bit units. If this register is read, the value FFH is read.

FW can clear an interrupt source by writing 0 to the corresponding bit of this register. Even a bit that is automatically cleared to 0 by hardware can be cleared by FW before it is cleared by hardware. Writing 0 to a bit of this register automatically sets the bit to 1. Writing 1 is invalid.

The related bits are invalid if each endpoint is not supported by the setting of the UF0EnIM register ($n = 1, 3, 7$) and the current setting of the interface.

	7	6	5	4	3	2	1	0	Address	After reset
UF0IC2	BKI2INC	BKI2 DTC	BKI1INC	BKI1 DTC	1	1	1	IT1DTC	00200040H	FFH

Bit position	Bit name	Function
7, 5	BKInINC	These bits clear the BLKInIN interrupt. 0: Clear
6, 4	BKInDTC	These bits clear the BLKInDT interrupt. 0: Clear
0	IT1DTC	These bits clear the INTnDT interrupt. 0: Clear

Remark $n = 1, 2$

(24) UF0 INT clear 3 register (UF0IC3)

This register controls clearing the interrupt sources indicated by the UF0IS3 register.

This register is write-only, in 8-bit units. If this register is read, the value FFH is read.

FW can clear an interrupt source by writing 0 to the corresponding bit of this register. Even a bit that is automatically cleared to 0 by hardware can be cleared by FW before it is cleared by hardware. Writing 0 to a bit of this register automatically sets the bit to 1. Writing 1 is invalid.

The related bits are invalid if each endpoint is not supported by the setting of the UF0EnIM register ($n = 2, 4$) and the current setting of the interface.

	7	6	5	4	3	2	1	0	Address	After reset
UF0IC3	BKO2	BKO2	BKO2	BKO2	BKO1	BKO1	BKO1	BKO1	00200042H	FFH
	FLC	NLC	NAKC	DTC	FLC	NLC	NAKC	DTC		

Bit position	Bit name	Function
7, 3	BKOnFLC	These bits clear the BLKOnFL interrupt. 0: Clear
6, 2	BKOnNLC	These bits clear the BLKOnNL interrupt. 0: Clear
5, 1	BKOnNAKC	These bits clear the BLKOnNK interrupt. 0: Clear
4, 0	BKOnDTC	These bits clear the BLKOnDT interrupt. 0: Clear

Remark $n = 1, 2$

(25) UF0 INT clear 4 register (UF0IC4)

This register controls clearing the interrupt sources indicated by the UF0IS4 register.

This register is write-only, in 8-bit units. If this register is read, the value FFH is read.

FW can clear an interrupt source by writing 0 to the corresponding bit of this register. Even a bit that is automatically cleared to 0 by hardware can be cleared by FW before it is cleared by hardware. Writing 0 to a bit of this register automatically sets the bit to 1. Writing 1 is invalid.

The related bits are invalid if each endpoint is not supported by the setting of the UF0EnIM register (n = 1 to 4, 7) and the current setting of the interface.

	7	6	5	4	3	2	1	0	Address	After reset
UF0IC4	1	1	SETINTC	1	1	1	1	1	00200044H	FFH

Bit position	Bit name	Function
5	SETINTC	This bit clears the SET_INT interrupt. 0: Clear

(26) UF0 INT & DMARQ register (UF0IDR)

This register selects reporting via an interrupt request or starting DMA.

This register can be read or written in 8-bit units.

If data exists in either the UF0BO1 or UF0BO1 register, or if data can be written to the UF0BI1 or UF0BI2 register, this register selects whether it is reported to the FW by an interrupt request, or whether starting DMA is requested. If starting DMA is requested, the DMA transfer mode can be selected according to the setting of bits 0 and 1.

The related bits are invalid if each endpoint is not supported by the setting of the UF0EnIM register (n = 1 to 4) and the current setting of the interface.

Be sure to clear bits 3 and 2 to "0". If they are set to 1, the operation is not guaranteed.

Caution If the target endpoint is not supported by the SET_INTERFACE request under DMA transfer, the DMA request signal becomes inactive immediately, and the corresponding bit is automatically cleared to 0 by hardware.

(1/2)

	7	6	5	4	3	2	1	0	Address	After reset
UF0IDR	DQBI2	DQBI1	DQBO2	DQBO1	0	0	MODE1	MODE0	0020004CH	00H
	MS	MS	MS	MS						

Bit position	Bit name	Function
7, 6	DQBI _n MS	<p>These bits enable (mask) a write DMA transfer request (DMA request signal for Endpoint m) to the UF0BI_n register. When these bits are set to 1, the DMA request signal for Endpoint m becomes active while writing data can be acknowledged. If the DMA end signal for Endpoint m is input (if the DMA controller issues TC), these bits are automatically cleared to 0 by hardware. To continue DMA transfer, re-set these bits to 1 by FW.</p> <p>1: Enables active DMA request signal for Endpoint m (masks BKInDT interrupt). 0: Disables active DMA request signal for Endpoint m (default value).</p>
5, 4	DQBO _n MS	<p>These bits enable (mask) a read DMA transfer request (DMA request signal for Endpoint x) to the UF0BO_n register. When these bits are set to 1, the DMA request signal for Endpoint x becomes active if the data to be read is prepared in the UF0BO_n register. If the DMA end signal for Endpoint x is input (if the DMA controller issues TC), these bits are automatically cleared to 0 by hardware. They are also cleared to 0 when the USBSPxB signal is active. To continue DMA transfer, re-set these bits to 1 by FW.</p> <p>1: Enables active DMA request signal for Endpoint x (masks BKOnDT interrupt). 0: Disables active DMA request signal for Endpoint x (default value).</p>

Remark n = 1, 2
 m = 1 and x = 2 where n = 1
 m = 3 and x = 4 where n = 2

(2/2)

Bit position	Bit name	Function	
1, 0	MODE1, MODE0	These bits select the DMA transfer mode.	
		MODE1	MODE0
		Mode	Remark
		1	0
		Demand mode	DMA request signal becomes active as long as there is data. It becomes inactive if there is no more data.
		Other than above	Setting prohibited

(27) UF0 DMA status 0 register (UF0DMS0)

This register indicates the DMA status of Endpoint1 to Endpoint4.

This register is read-only, in 8-bit units.

The related bits are invalid if each endpoint is not supported by the setting of the UF0EnIM register (n = 1 to 4) and the current setting of the interface.

	7	6	5	4	3	2	1	0	Address	After reset
UF0DMS0	0	0	DQE4	DQE3	DQE2	DQE1	0	0	0020004EH	00H

Bit position	Bit name	Function
5	DQE4	This bit indicates that a DMA read request is being issued from Endpoint4 to memory. 1: DMA read request from Endpoint4 is being issued. 0: DMA read request from Endpoint4 is not being issued (default value).
4	DQE3	This bit indicates that a DMA write request is being issued from memory to Endpoint3. Note that, even if data is in Endpoint3 (when the FIFO is not full and after the BK12DED bit has been set to 1), the DMA request signal becomes active immediately and DMA transfer is started when the DQB12MS bit of the UF0IDR register is set to 1. 1: DMA write request for Endpoint3 is being issued. 0: DMA write request for Endpoint3 is not being issued (default value).
3	DQE2	This bit indicates that a DMA read request is being issued from Endpoint2 to memory. 1: DMA read request from Endpoint2 is being issued. 0: DMA read request from Endpoint2 is not being issued (default value).
2	DQE1	This bit indicates that a DMA write request is being issued from memory to Endpoint1. Note that, even if data is in Endpoint1 (when the FIFO is not full and after the BK11DED bit has been set to 1), the DMA request signal becomes active immediately and DMA transfer is started when the DQB11MS bit of the UF0IDR register is set to 1. 1: DMA write request for Endpoint1 is being issued. 0: DMA write request for Endpoint1 is not being issued (default value).

(28) UF0 DMA status 1 register (UF0DMS1)

This register indicates the DMA status of Endpoint1 to Endpoint4.

This register is read-only, in 8-bit units.

The related bits are invalid if each endpoint is not supported by the setting of the UF0EnIM register (n = 1 to 4) and the current setting of the interface.

Each bit is automatically cleared to 0 when this register is read. Even when this register is read, however, bits 4 and 3 of the UF0IS0 register are not cleared to 0. If the target endpoint is no longer supported by the SET_INTERFACE request, each bit is automatically cleared to 0 by hardware (however, the DMA_END interrupt request and Short interrupt request are not cleared).

	7	6	5	4	3	2	1	0	Address	After reset
UF0DMS1	DEDE4	DSPE4	DEDE3	DEDE2	DSPE2	DEDE1	0	0	00200050H	00H

Bit position	Bit name	Function
7, 5, 4, 2	DEDEn	These bits indicate that the DMA end (TC) signal for Endpoint n becomes active and DMA is stopped while a DMA read request is being issued from Endpoint n to memory. 1: DMA end signal for Endpoint n is active. 0: DMA end signal for Endpoint n is inactive (default value).
6, 3	DSPEm	These bits indicate that, although a DMA read request was being issued from Endpoint m to memory, DMA has been stopped because the received data is a short packet and there is no more data to be transferred. 1: DMASTOP_EPm signal is active. 0: DMASTOP_EPm signal is inactive (default value).

Remark n = 1 to 4
m = 2, 4

(29) UF0 FIFO clear 0 register (UF0FIC0)

This register clears each FIFO.

This register is write-only, in 8-bit units. If this register is read, 00H is read.

FW can clear the target FIFO by writing 1 to the corresponding bit of this register. The bit to which 1 has been written is automatically cleared to 0. Writing 0 to the bit is invalid.

The related bits are invalid if each endpoint is not supported by the setting of the UF0EnIM register (n = 1, 3, 7) and the current setting of the interface.

	7	6	5	4	3	2	1	0	Address	After reset
UF0FIC0	BKI2SC	BKI2CC	BKI1SC	BKI1CC	ITR2C	ITR1C	EP0WC	EP0RC	00200060H	00H

Bit position	Bit name	Function
7, 5	BKInSC	These bits clear only the FIFO on the SIE side of the UF0BIn register (reset the counter). 1: Clear Writing these bits is invalid while an IN token for Endpoint m is being processed with the BKInNK bit set to 1. The BKInNK bit is automatically cleared to 0 by clearing the FIFO. Make sure that the FIFO on the CPU side is empty when these bits are used.
6, 4	BKInCC	These bits clear only the FIFO on the CPU side of the UF0BIn register (reset the counter). 1: Clear
2	ITR1C	These bits clear the UF0INT1 register (reset the counter). 1: Clear Writing these bits is invalid while an IN token for Endpoint 7 is being processed with the IT1NK bit set to 1. The IT1NK bit is automatically cleared to 0 by clearing the FIFO.
1	EP0WC	This bit clears the UF0E0W register (resets the counter). 1: Clear Writing this bit is invalid while an IN token for Endpoint0 is being processed with the EP0NKW bit set to 1. The EP0NKW bit is automatically cleared to 0 by clearing the FIFO.
0	EP0RC	This bit clears the UF0E0R register (resets the counter). 1: Clear When the EP0NKR bit is set to 1 (except when it has been set by FW), the EP0NKR bit is automatically cleared to 0 by clearing the FIFO.

Remark n = 1, 2
 m = 1 where n = 1
 m = 3 where n = 2

(30) UF0 FIFO clear 1 register (UF0FIC1)

This register clears each FIFO.

This register is write-only, in 8-bit units. If this register is read, 00H is read.

FW can clear the target FIFO by writing 1 to the corresponding bit of this register. The bit to which 1 has been written is automatically cleared to 0. Writing 0 to the bit is invalid.

The related bits are invalid if each endpoint is not supported by the setting of the UF0EnIM register ($n = 2, 4$) and the current setting of the interface.

	7	6	5	4	3	2	1	0	Address	After reset
UF0FIC1	0	0	0	0	BKO2C	BKO2CC	BKO1C	BKO1CC	00200062H	00H

Bit position	Bit name	Function
3, 1	BKOnC	These bits clear the FIFOs on both the SIE and CPU sides of the UF0BOn register (reset the counter). 1: Clear When the BKOnNK bit is set to 1 (except when it has been set by FW), the BKOnNK bit is automatically cleared to 0 by clearing the FIFO.
2, 0	BKOnCC	These bits clear only the FIFO on the CPU side of the UF0BOn register (reset the counter). 1: Clear When the BKOnNK bit is set to 1 (except when it has been set by FW), the BKOnNK bit is automatically cleared to 0 by clearing the FIFO.

Remark $n = 1, 2$

(31) UF0 data end register (UF0DEND)

This register reports the end of writing to the transmission system.

This register is write-only, in 8-bit units (however, bits 7 and 6 can be read and written). If this register is read, 00H is read.

FW can start data transfer of the target endpoint by writing 1 to the corresponding bit of this register. The bit to which 1 has been written is automatically cleared to 0. Writing 0 to the bit is invalid.

The related bits are invalid if each endpoint is not supported by the setting of the UF0EnIM register (n = 1, 3, 7) and the current setting of the interface.

(1/2)

	7	6	5	4	3	2	1	0	Address	After reset
UF0DEND	BKI2T	BKI1T	0	0	IT1DEND	BKI2DED	BKI1DED	E0DED	0020006AH	00H

Bit position	Bit name	Function
7, 6	BKInT	These bits specify whether toggling the FIFO is automatically executed if the FIFO on the CPU side of the UF0BIn register becomes full as a result of DMA. 1: Automatically execute a toggle operation of the FIFO as soon as the FIFO has become full. 0: Do not automatically execute a toggle operation of the FIFO even if the FIFO becomes full (default value).
3	IT1DEND	Set these bits to 1 to transmit the data of the UF0INT1 register. When these bits are set to 1, the IT1NK bit is set to 1 and data transfer is executed. 1: Transmit a short packet. 0: Do not transmit a short packet (default value). If the ITR1C bit of the UF0FIC0 register is set to 1 and then these bits are set to 1 (counter of UF0INT1 register = 0 and the corresponding bit of the UF0EPS1 register = 1), a Null packet (with a data length of 0) is transmitted. If data exists in the UF0INT1 register and if these bits are set to 1 (counter of UF0INT1 register ≠ 0 and the corresponding bit of the UF0EPS0 register = 1), a short packet is transmitted. These bits are automatically controlled by hardware when the FIFO is full.

Remark n = 1, 2

(2/2)

Bit position	Bit name	Function
2, 1	BKInDED	<p>Set these bits to 1 when writing transmit data to the UF0BIn register has been completed. When these bits are set to 1, the FIFO is toggled as soon as possible, the BKInNK bit is set to 1, and data is transferred.</p> <p>1: Transmit a short packet. 0: Do not transmit a short packet (default value).</p> <p>These bits control the FIFO on the CPU side.</p> <p>If the BKInCC bit of the UF0FIC0 register is set to 1 and then these bits are set to 1 (counter of UF0BIn register = 0), a Null packet (with a data length of 0) is transmitted.</p> <p>If data exists in the UF0BIn register and if these bits are set to 1 (counter of UF0BIn register ≠ 0), and if the FIFO is not full, a short packet is transmitted.</p> <p>If the FIFO on the CPU side of the UF0BIn register becomes full as a result of DMA, with the PIO or BKInT bit set to 1, the hardware starts data transmission even if these bits are not set to 1.</p> <p>If the FIFO on the CPU side of the UF0BIn register becomes full as a result of DMA, with the BKInT bit cleared to 0, be sure to set these bits to 1 (see 20.6.3 (3) UF0 EPNAK register (UF0EN)).</p>
0	E0DED	<p>Set this bit to 1 to transmit data of the UF0E0W register. When this bit is set to 1, the EP0NKW bit is set to 1 and data is transferred.</p> <p>1: Transmit a short packet. 0: Do not transmit a short packet (default value).</p> <p>If the EP0WC bit of the UF0FIC0 register is set to 1 and if this bit is set to 1 (counter of UF0E0W register = 0 and bit 1 of UF0EPS0 register = 1), a Null packet (with a data length of 0) is transmitted.</p> <p>If data exists in the UF0E0W register and if this bit is set to 1 (counter of UF0E0W register ≠ 0 and bit 1 of the UF0EPS0 register = 1), and if the FIFO is not full, a short packet is transmitted.</p>

Remark n = 1, 2

(32) UF0 GPR register (UF0GPR)

This register controls USBF and the USB interface.

This register is write-only, in 8-bit units. If this register is read, 00H is read. Be sure to clear bits 7 to 1 to "0".

FW can reset the USBF by writing 1 to bit 0 of this register. This bit is automatically cleared to 0 after 1 has been written to it. Writing 0 to this bit is invalid.

	7	6	5	4	3	2	1	0	Address	After reset
UF0GPR	0	0	0	0	0	0	0	MRST	0020006EH	00H

Bit position	Bit name	Function
0	MRST	Set this bit to 1 to reset USBF. 1: Reset Actually, USBF is reset two USB clocks after this bit has been set to 1 by FW and the write signal has become inactive. Resetting USBF by the MRST bit while the system clock is operating has the same result as resetting by the $\overline{\text{RESET}}$ pin (hardware reset) (register value back to default value).

(33) UF0 mode control register (UF0MODC)

This register controls CPUDEC processing.

This register can be read or written in 8-bit units.

By setting each bit of this register, the setting of the UF0MODS register can be changed. The bit of this register is automatically cleared to 0 only at hardware reset and when the MRST bit of the UF0GRP register has been set to 1.

Even if the bit of this register has automatically been set to 1 by hardware, the setting by FW takes precedence.

Be sure to clear bits 7 and 5 to 2 to "0". If they are set to 1, the operation is not guaranteed.

Caution This register is provided for debugging purposes. Usually, do not set this register except for verifying the operation or when a special mode is used.

	7	6	5	4	3	2	1	0	Address	After reset
UF0MODC	0	CDC GDST	0	0	0	0	0	0	00200074H	00H

Bit position	Bit name	Function
6	CDCGDST	Set this bit to 1 to switch the GET_DESCRIPTOR Configuration request to CPUDEC processing. By setting this bit to 1, the CDCGD bit of the UF0MODS register can be forcibly set to 1. 1: Forcibly change the GET_DESCRIPTOR Configuration request to CPUDEC processing (sets the CDCGD bit of the UF0MODS register to 1). 0: Automatically process the GET_DESCRIPTOR Configuration request (default value).

(34) UF0 mode status register (UF0MODS)

This register indicates the configuration status.

This register is read-only, in 8-bit units.

	7	6	5	4	3	2	1	0	Address	After reset
UF0MODS	0	CDCGD	0	MPACK	DFLT	CONF	0	0	00200078H	00H

Bit position	Bit name	Function
6	CDCGD	<p>This bit specifies whether CPUDEC processing is performed for the GET_DESCRIPTOR Configuration request.</p> <p>1: Forcibly change the GET_DESCRIPTOR Configuration request to CPUDEC processing.</p> <p>0: Automatically process the GET_DESCRIPTOR Configuration request (default value).</p>
4	MPACK	<p>This bit indicates the transmit packet size of Endpoint0.</p> <p>1: Transmit a packet of other than 8 bytes.</p> <p>0: Transmit a packet of 8 bytes (default value).</p> <p>This bit is automatically set to 1 by hardware after the GET_DESCRIPTOR Device request has been processed (on normal completion of the status stage). It is not cleared to 0 until the USBF has been reset (it is not cleared to 0 by Bus Reset).</p> <p>If this bit is not set to 1, the hardware transfers only the automatically-executed request in 8-byte units. Therefore, even if data of more than 8 bytes is sent by the OUT token to be processed by FW before completion of the GET_DESCRIPTOR Device request, the data is correctly received.</p> <p>This bit is ignored if the size of Endpoint0 is 8 bytes.</p>
3	DFLT	<p>This bit indicates the default status (DFLT bit = 1).</p> <p>1: Enables response.</p> <p>0: Disables response (always no response) (default value).</p> <p>This bit is automatically set to 1 by Bus Reset. The transaction for all the endpoints is not responded to until this bit is set to 1.</p>
2	CONF	<p>This bit indicates whether the SET_CONFIGURATION request has been completed.</p> <p>1: SET_CONFIGURATION request has been completed.</p> <p>0: SET_CONFIGURATION request has not been completed (default value).</p> <p>This bit is set to 1 when Configuration value = 1 is received by the SET_CONFIGURATION request.</p> <p>Unless this bit is set to 1, access to an endpoint other than Endpoint0 is ignored.</p> <p>This bit is cleared to 0 when Configuration value = 0 is received by the SET_CONFIGURATION request. It is also cleared to 0 when Bus Reset is detected.</p>

(35) UF0 active interface number register (UF0AIFN)

This register sets the valid Interface number that correctly responds to the GET/SET_INTERFACE request. Because Interface 0 is always valid, Interfaces 1 to 4 can be selected.

This register can be read or written in 8-bit units.

	7	6	5	4	3	2	1	0	Address	After reset
UF0AIFN	ADDIF	0	0	0	0	0	IFNO1	IFNO0	00200080H	00H

Bit position	Bit name	Function															
7	ADDIF	This bit allows use of Interfaces numbered other than 0. 1: Support up to the Interface number specified by the IFNO1 and IFNO0 bits. 0: Support only Interface 0 (default value). Setting bits 1 and 0 of this register is invalid when this bit is not set to 1.															
1, 0	IFNO1, IFNO0	These bits specify the range of Interface numbers to be supported. <table border="1" style="width: 100%; border-collapse: collapse; margin-top: 5px;"> <thead> <tr> <th style="width: 10%;">IFNO1</th> <th style="width: 10%;">IFNO0</th> <th style="width: 80%;">Valid Interface No.</th> </tr> </thead> <tbody> <tr> <td style="text-align: center;">1</td> <td style="text-align: center;">1</td> <td style="text-align: center;">0, 1, 2, 3, 4</td> </tr> <tr> <td style="text-align: center;">1</td> <td style="text-align: center;">0</td> <td style="text-align: center;">0, 1, 2, 3</td> </tr> <tr> <td style="text-align: center;">0</td> <td style="text-align: center;">1</td> <td style="text-align: center;">0, 1, 2</td> </tr> <tr> <td style="text-align: center;">0</td> <td style="text-align: center;">0</td> <td style="text-align: center;">0, 1</td> </tr> </tbody> </table>	IFNO1	IFNO0	Valid Interface No.	1	1	0, 1, 2, 3, 4	1	0	0, 1, 2, 3	0	1	0, 1, 2	0	0	0, 1
IFNO1	IFNO0	Valid Interface No.															
1	1	0, 1, 2, 3, 4															
1	0	0, 1, 2, 3															
0	1	0, 1, 2															
0	0	0, 1															

(36) UF0 active alternative setting register (UF0AAS)

This register specifies a link between the Interface number and Alternative Setting.

This register can be read or written in 8-bit units.

USBF of the V850ES/JG3-L can set a five-series Alternative Setting (Alternate Setting 0, 1, 2, 3, and 4 can be defined) and a two-series Alternative Setting (Alternative Setting 0 and 1 can be defined) for one Interface.

	7	6	5	4	3	2	1	0	Address	After reset
UF0AAS	ALT2	IFAL21	IFAL20	ALT2EN	ALT5	IFAL51	IFAL50	ALT5EN	00200082H	00H

Bit position	Bit name	Function															
7, 3	ALTn	These bits specify whether an n-series Alternative Setting is linked with Interface 0. When these bits are set to 1, the setting of the IFALn1 and IFALn0 bits is invalid. 1: Link n-series Alternative Setting with Interface 0. 0: Do not link n-series Alternative Setting with Interface 0 (default value).															
6, 5, 2, 1	IFALn1, IFALn0	These bits specify the Interface number to be linked with the n-series Alternative Setting. If the linked Interface number is outside the range specified by the UF0AIFN register, the n-series Alternative Setting is invalid (ALTnEN bit = 0). <table border="1" style="width: 100%; margin-top: 10px;"> <thead> <tr> <th style="width: 10%;">IFALn1</th> <th style="width: 10%;">IFALn0</th> <th style="width: 80%;">Interface number to be linked</th> </tr> </thead> <tbody> <tr> <td style="text-align: center;">1</td> <td style="text-align: center;">1</td> <td>Links Interface 4.</td> </tr> <tr> <td style="text-align: center;">1</td> <td style="text-align: center;">0</td> <td>Links Interface 3.</td> </tr> <tr> <td style="text-align: center;">0</td> <td style="text-align: center;">1</td> <td>Links Interface 2.</td> </tr> <tr> <td style="text-align: center;">0</td> <td style="text-align: center;">0</td> <td>Links Interface 1.</td> </tr> </tbody> </table> Do not link a five-series Alternative Setting and a two-series Alternative Setting with the same Interface number.	IFALn1	IFALn0	Interface number to be linked	1	1	Links Interface 4.	1	0	Links Interface 3.	0	1	Links Interface 2.	0	0	Links Interface 1.
IFALn1	IFALn0	Interface number to be linked															
1	1	Links Interface 4.															
1	0	Links Interface 3.															
0	1	Links Interface 2.															
0	0	Links Interface 1.															
4, 0	ALTnEN	These bits validate the n-series Alternative Setting. Unless these bits are set to 1, the setting of the ALTn, IFALn1, and IFALn0 bits is invalid. 1: Validate the n-series Alternative Setting. 0: Do not validate the n-series Alternative Setting (default value).															

Remark n = 2, 5

For example, when the UF0AIFN register is set to 82H and the UF0AAS register is set to 15H, Interfaces 0, 1, 2, and 3 are valid. Interfaces 0 and 2 support only Alternative Setting 0. Interface 1 supports Alternative Setting 0 and 1, and Interface 3 supports Alternative Setting 0, 1, 2, 3, and 4. With this setting, requests GET_INTERFACE wIndex = 0/1/2/3, SET_INTERFACE wValue = 0 & wIndex = 0/2, SET_INTERFACE wValue = 0/1 & wIndex = 1, and SET_INTERFACE wValue = 0/1/2/3/4 & wIndex = 3 are automatically responded to, and a STALL response is made to the other GET/SET_INTERFACE requests.

(37) UF0 alternative setting status register (UF0ASS)

This register indicates the current status of the Alternative Setting.

This register is read-only, in 8-bit units.

Check this register when the SET_INT interrupt request has been issued. The value received by the SET_INTERFACE request is reflected on the UF0IFn register (n = 0 to 4) as well as on this register.

								7	6	5	4	3	2	1	0	Address	After reset
UF0ASS								0	0	0	0	AL5ST3	AL5ST2	AL5ST1	AL2ST	00200084H	00H

Bit position	Bit name	Function																								
3 to 1	AL5ST3 to AL5ST1	<p>These bits indicate the current status of the five-series Alternative Setting.</p> <table border="1"> <thead> <tr> <th>AL5ST3</th> <th>AL5ST2</th> <th>AL5ST1</th> <th>Selected Alternative Setting number</th> </tr> </thead> <tbody> <tr> <td>1</td> <td>0</td> <td>0</td> <td>Alternative Setting 4</td> </tr> <tr> <td>0</td> <td>1</td> <td>1</td> <td>Alternative Setting 3</td> </tr> <tr> <td>0</td> <td>1</td> <td>0</td> <td>Alternative Setting 2</td> </tr> <tr> <td>0</td> <td>0</td> <td>1</td> <td>Alternative Setting 1</td> </tr> <tr> <td>0</td> <td>0</td> <td>0</td> <td>Alternative Setting 0</td> </tr> </tbody> </table>	AL5ST3	AL5ST2	AL5ST1	Selected Alternative Setting number	1	0	0	Alternative Setting 4	0	1	1	Alternative Setting 3	0	1	0	Alternative Setting 2	0	0	1	Alternative Setting 1	0	0	0	Alternative Setting 0
AL5ST3	AL5ST2	AL5ST1	Selected Alternative Setting number																							
1	0	0	Alternative Setting 4																							
0	1	1	Alternative Setting 3																							
0	1	0	Alternative Setting 2																							
0	0	1	Alternative Setting 1																							
0	0	0	Alternative Setting 0																							
0	AL2ST	<p>This bit indicates the current status of the two-series Alternative Setting (selected Alternative Setting number).</p> <p>1: Alternative Setting 1 0: Alternative Setting 0</p>																								

(38) UF0 endpoint 1 interface mapping register (UF0E1IM)

This register specifies for which Interface and Alternative Setting Endpoint1 is valid.

This register can be read or written in 8-bit units.

The setting of this register and the Alternative Setting selected by the SET_INTERFACE request indicate whether Endpoint1 is currently valid, and the hardware determines how the GET_STATUS/CLEAR_FEATURE/SET_FEATURE Endpoint1 request and the IN transaction to Endpoint1 are responded to, and whether the related bits are valid or invalid.

	7	6	5	4	3	2	1	0	Address	After reset
UF0E1IM	E1EN2	E1EN1	E1EN0	E12AL1	E15AL4	E15AL3	E15AL2	E15AL1	00200086H	00H

Bit position	Bit name	Function																																			
7 to 5	E1EN2 to E1EN0	<p>These bits set a link between the Interface of Endpoint1 and the two-/five-series Alternative Setting. The endpoint is linked with Alternative Setting 0. The endpoint linked with Alternative Setting 0 cannot be excluded from Alternative Setting 1 to 4.</p> <table border="1" style="width: 100%; border-collapse: collapse; margin: 10px 0;"> <thead> <tr> <th style="width: 10%;">E1EN2</th> <th style="width: 10%;">E1EN1</th> <th style="width: 10%;">E1EN0</th> <th style="width: 70%;">Link status</th> </tr> </thead> <tbody> <tr> <td style="text-align: center;">1</td> <td style="text-align: center;">1</td> <td style="text-align: center;">1</td> <td>Not linked with Interface</td> </tr> <tr> <td style="text-align: center;">1</td> <td style="text-align: center;">1</td> <td style="text-align: center;">0</td> <td rowspan="2">Linked with Interface 4 and Alternative Setting 0</td> </tr> <tr> <td style="text-align: center;">1</td> <td style="text-align: center;">0</td> <td style="text-align: center;">1</td> </tr> <tr> <td style="text-align: center;">1</td> <td style="text-align: center;">0</td> <td style="text-align: center;">0</td> <td>Linked with Interface 3 and Alternative Setting 0</td> </tr> <tr> <td style="text-align: center;">0</td> <td style="text-align: center;">1</td> <td style="text-align: center;">1</td> <td>Linked with Interface 2 and Alternative Setting 0</td> </tr> <tr> <td style="text-align: center;">0</td> <td style="text-align: center;">1</td> <td style="text-align: center;">0</td> <td>Linked with Interface 1 and Alternative Setting 0</td> </tr> <tr> <td style="text-align: center;">0</td> <td style="text-align: center;">0</td> <td style="text-align: center;">1</td> <td>Linked with Interface 0 and Alternative Setting 0</td> </tr> <tr> <td style="text-align: center;">0</td> <td style="text-align: center;">0</td> <td style="text-align: center;">0</td> <td>Not linked with Interface (default value)</td> </tr> </tbody> </table> <p>When these bits are set to 110 or 111, they are invalid even if the E12AL1 bit is cleared to 0. If the endpoint is linked, setting of the CONF bit of the UF0MODS register to 1 indicates that Endpoint1 is valid.</p>	E1EN2	E1EN1	E1EN0	Link status	1	1	1	Not linked with Interface	1	1	0	Linked with Interface 4 and Alternative Setting 0	1	0	1	1	0	0	Linked with Interface 3 and Alternative Setting 0	0	1	1	Linked with Interface 2 and Alternative Setting 0	0	1	0	Linked with Interface 1 and Alternative Setting 0	0	0	1	Linked with Interface 0 and Alternative Setting 0	0	0	0	Not linked with Interface (default value)
E1EN2	E1EN1	E1EN0	Link status																																		
1	1	1	Not linked with Interface																																		
1	1	0	Linked with Interface 4 and Alternative Setting 0																																		
1	0	1																																			
1	0	0	Linked with Interface 3 and Alternative Setting 0																																		
0	1	1	Linked with Interface 2 and Alternative Setting 0																																		
0	1	0	Linked with Interface 1 and Alternative Setting 0																																		
0	0	1	Linked with Interface 0 and Alternative Setting 0																																		
0	0	0	Not linked with Interface (default value)																																		
4	E12AL1	<p>This bit validates Endpoint1 when the two-series Alternative Setting and the Alternative Setting of the linked Interface are set to 1.</p> <p style="margin-left: 20px;">1: Validate the endpoint when Alternative Setting 1 is set with CONF bit = 1. 0: Do not validate the endpoint even when Alternative Setting 1 is set with CONF bit = 1 (default value).</p> <p>This bit is valid when the E15AL4 to E15AL1 bits are 0000.</p>																																			
3 to 0	E15ALn	<p>These bits validate Endpoint1 when the five-series Alternative Setting and the Alternative Setting of the linked Interface are set to n.</p> <p style="margin-left: 20px;">1: Validate the endpoint when Alternative Setting n is set with CONF bit = 1. 0: Do not validate the endpoint even when Alternative Setting n is set with CONF bit = 1 (default value).</p>																																			

Remark n = 1 to 4

(39) UF0 endpoint 2 interface mapping register (UF0E2IM)

This register specifies for which Interface and Alternative Setting Endpoint2 is valid.

This register can be read or written in 8-bit units.

The setting of this register and the Alternative Setting selected by the SET_INTERFACE request indicate whether Endpoint2 is currently valid, and the hardware determines how the GET_STATUS/CLEAR_FEATURE/SET_FEATURE Endpoint2 request and the OUT transaction to Endpoint2 are responded to, and whether the related bits are valid or invalid.

	7	6	5	4	3	2	1	0	Address	After reset
UF0E2IM	E2EN2	E2EN1	E2EN0	E22AL1	E25AL4	E25AL3	E25AL2	E25AL1	00200088H	00H

Bit position	Bit name	Function																																				
7 to 5	E2EN2 to E2EN0	<p>These bits set a link between the Interface of Endpoint2 and the two-/five-series Alternative Setting. The endpoint is linked with Alternative Setting 0. The endpoint linked with Alternative Setting 0 cannot be excluded from Alternative Setting 1 to 4.</p> <table border="1" style="width: 100%; border-collapse: collapse; margin: 10px 0;"> <thead> <tr> <th style="width: 10%;">E2EN2</th> <th style="width: 10%;">E2EN1</th> <th style="width: 10%;">E2EN0</th> <th style="width: 70%;">Link status</th> </tr> </thead> <tbody> <tr> <td style="text-align: center;">1</td> <td style="text-align: center;">1</td> <td style="text-align: center;">1</td> <td>Not linked with Interface</td> </tr> <tr> <td style="text-align: center;">1</td> <td style="text-align: center;">1</td> <td style="text-align: center;">0</td> <td></td> </tr> <tr> <td style="text-align: center;">1</td> <td style="text-align: center;">0</td> <td style="text-align: center;">1</td> <td>Linked with Interface 4 and Alternative Setting 0</td> </tr> <tr> <td style="text-align: center;">1</td> <td style="text-align: center;">0</td> <td style="text-align: center;">0</td> <td>Linked with Interface 3 and Alternative Setting 0</td> </tr> <tr> <td style="text-align: center;">0</td> <td style="text-align: center;">1</td> <td style="text-align: center;">1</td> <td>Linked with Interface 2 and Alternative Setting 0</td> </tr> <tr> <td style="text-align: center;">0</td> <td style="text-align: center;">1</td> <td style="text-align: center;">0</td> <td>Linked with Interface 1 and Alternative Setting 0</td> </tr> <tr> <td style="text-align: center;">0</td> <td style="text-align: center;">0</td> <td style="text-align: center;">1</td> <td>Linked with Interface 0 and Alternative Setting 0</td> </tr> <tr> <td style="text-align: center;">0</td> <td style="text-align: center;">0</td> <td style="text-align: center;">0</td> <td>Not linked with Interface (default value)</td> </tr> </tbody> </table> <p>When these bits are set to 110 or 111, they are invalid even if the E22AL1 bit is cleared to 0. If the endpoint is linked, setting of the CONF bit of the UF0MODS register to 1 indicates that Endpoint2 is valid.</p>	E2EN2	E2EN1	E2EN0	Link status	1	1	1	Not linked with Interface	1	1	0		1	0	1	Linked with Interface 4 and Alternative Setting 0	1	0	0	Linked with Interface 3 and Alternative Setting 0	0	1	1	Linked with Interface 2 and Alternative Setting 0	0	1	0	Linked with Interface 1 and Alternative Setting 0	0	0	1	Linked with Interface 0 and Alternative Setting 0	0	0	0	Not linked with Interface (default value)
E2EN2	E2EN1	E2EN0	Link status																																			
1	1	1	Not linked with Interface																																			
1	1	0																																				
1	0	1	Linked with Interface 4 and Alternative Setting 0																																			
1	0	0	Linked with Interface 3 and Alternative Setting 0																																			
0	1	1	Linked with Interface 2 and Alternative Setting 0																																			
0	1	0	Linked with Interface 1 and Alternative Setting 0																																			
0	0	1	Linked with Interface 0 and Alternative Setting 0																																			
0	0	0	Not linked with Interface (default value)																																			
4	E22AL1	<p>This bit validates Endpoint2 when the two-series Alternative Setting and the Alternative Setting of the linked Interface are set to 1.</p> <p>1: Validate the endpoint when Alternative Setting 1 is set with CONF bit = 1. 0: Do not validate the endpoint even when Alternative Setting 1 is set with CONF bit = 1 (default value).</p> <p>This bit is valid when the E25AL4 to E25AL1 bits are 0000.</p>																																				
3 to 0	E25ALn	<p>These bits validate Endpoint2 when the five-series Alternative Setting and the Alternative Setting of the linked Interface are set to n.</p> <p>1: Validate the endpoint when Alternative Setting n is set with CONF bit = 1. 0: Do not validate the endpoint even when Alternative Setting n is set with CONF bit = 1 (default value).</p>																																				

Remark n = 1 to 4

(40) UF0 endpoint 3 interface mapping register (UF0E3IM)

This register specifies for which Interface and Alternative Setting Endpoint3 is valid.

This register can be read or written in 8-bit units.

The setting of this register and the Alternative Setting selected by the SET_INTERFACE request indicate whether Endpoint3 is currently valid, and the hardware determines how the GET_STATUS/CLEAR_FEATURE/SET_FEATURE Endpoint3 request and the IN transaction to Endpoint3 are responded to, and whether the related bits are valid or invalid.

	7	6	5	4	3	2	1	0	Address	After reset
UF0E3IM	E3EN2	E3EN1	E3EN0	E32AL1	E35AL4	E35AL3	E35AL2	E35AL1	0020008AH	00H

Bit position	Bit name	Function																																			
7 to 5	E3EN2 to E3EN0	<p>These bits set a link between the Interface of Endpoint3 and the two-/five-series Alternative Setting. The endpoint is linked with Alternative Setting 0. The endpoint linked with Alternative Setting 0 cannot be excluded from Alternative Setting 1 to 4.</p> <table border="1" style="width: 100%; border-collapse: collapse; margin: 10px 0;"> <thead> <tr> <th style="width: 10%;">E3EN2</th> <th style="width: 10%;">E3EN1</th> <th style="width: 10%;">E3EN0</th> <th style="width: 70%;">Link status</th> </tr> </thead> <tbody> <tr> <td style="text-align: center;">1</td> <td style="text-align: center;">1</td> <td style="text-align: center;">1</td> <td>Not linked with Interface</td> </tr> <tr> <td style="text-align: center;">1</td> <td style="text-align: center;">1</td> <td style="text-align: center;">0</td> <td rowspan="2">Linked with Interface 4 and Alternative Setting 0</td> </tr> <tr> <td style="text-align: center;">1</td> <td style="text-align: center;">0</td> <td style="text-align: center;">1</td> </tr> <tr> <td style="text-align: center;">1</td> <td style="text-align: center;">0</td> <td style="text-align: center;">0</td> <td>Linked with Interface 3 and Alternative Setting 0</td> </tr> <tr> <td style="text-align: center;">0</td> <td style="text-align: center;">1</td> <td style="text-align: center;">1</td> <td>Linked with Interface 2 and Alternative Setting 0</td> </tr> <tr> <td style="text-align: center;">0</td> <td style="text-align: center;">1</td> <td style="text-align: center;">0</td> <td>Linked with Interface 1 and Alternative Setting 0</td> </tr> <tr> <td style="text-align: center;">0</td> <td style="text-align: center;">0</td> <td style="text-align: center;">1</td> <td>Linked with Interface 0 and Alternative Setting 0</td> </tr> <tr> <td style="text-align: center;">0</td> <td style="text-align: center;">0</td> <td style="text-align: center;">0</td> <td>Not linked with Interface (default value)</td> </tr> </tbody> </table> <p>When these bits are set to 110 or 111, they are invalid even if the E32AL1 bit is cleared to 0. If the endpoint is linked, setting of the CONF bit of the UF0MODS register to 1 indicates that Endpoint3 is valid.</p>	E3EN2	E3EN1	E3EN0	Link status	1	1	1	Not linked with Interface	1	1	0	Linked with Interface 4 and Alternative Setting 0	1	0	1	1	0	0	Linked with Interface 3 and Alternative Setting 0	0	1	1	Linked with Interface 2 and Alternative Setting 0	0	1	0	Linked with Interface 1 and Alternative Setting 0	0	0	1	Linked with Interface 0 and Alternative Setting 0	0	0	0	Not linked with Interface (default value)
E3EN2	E3EN1	E3EN0	Link status																																		
1	1	1	Not linked with Interface																																		
1	1	0	Linked with Interface 4 and Alternative Setting 0																																		
1	0	1																																			
1	0	0	Linked with Interface 3 and Alternative Setting 0																																		
0	1	1	Linked with Interface 2 and Alternative Setting 0																																		
0	1	0	Linked with Interface 1 and Alternative Setting 0																																		
0	0	1	Linked with Interface 0 and Alternative Setting 0																																		
0	0	0	Not linked with Interface (default value)																																		
4	E32AL1	<p>This bit validates Endpoint3 when the two-series Alternative Setting and the Alternative Setting of the linked Interface are set to 1.</p> <p>1: Validate the endpoint when Alternative Setting 1 is set with CONF bit = 1. 0: Do not validate the endpoint even when Alternative Setting 1 is set with CONF bit = 1 (default value).</p> <p>This bit is valid when the E35AL4 to E35AL1 bits are 0000.</p>																																			
3 to 0	E35ALn	<p>These bits validate Endpoint3 when the five-series Alternative Setting and the Alternative Setting of the linked Interface are set to n.</p> <p>1: Validate the endpoint when Alternative Setting n is set with CONF bit = 1. 0: Do not validate the endpoint even when Alternative Setting n is set with CONF bit = 1 (default value).</p>																																			

Remark n = 1 to 4

(41) UF0 endpoint 4 interface mapping register (UF0E4IM)

This register specifies for which Interface and Alternative Setting Endpoint4 is valid.

This register can be read or written in 8-bit units.

The setting of this register and the Alternative Setting selected by the SET_INTERFACE request indicate whether Endpoint4 is currently valid, and the hardware determines how the GET_STATUS/CLEAR_FEATURE/SET_FEATURE Endpoint4 request and the OUT transaction to Endpoint4 are responded to, and whether the related bits are valid or invalid.

	7	6	5	4	3	2	1	0	Address	After reset
UF0E4IM	E4EN2	E4EN1	E4EN0	E42AL1	E45AL4	E45AL3	E45AL2	E45AL1	0020008CH	00H

Bit position	Bit name	Function																																				
7 to 5	E4EN2 to E4EN0	<p>These bits set a link between the Interface of Endpoint4 and the two-/five-series Alternative Setting. The endpoint is linked with Alternative Setting 0. The endpoint linked with Alternative Setting 0 cannot be excluded from Alternative Setting 1 to 4.</p> <table border="1" style="width: 100%; border-collapse: collapse; margin: 10px 0;"> <thead> <tr> <th style="width: 10%;">E4EN2</th> <th style="width: 10%;">E4EN1</th> <th style="width: 10%;">E4EN0</th> <th style="width: 70%;">Link status</th> </tr> </thead> <tbody> <tr> <td style="text-align: center;">1</td> <td style="text-align: center;">1</td> <td style="text-align: center;">1</td> <td>Not linked with Interface</td> </tr> <tr> <td style="text-align: center;">1</td> <td style="text-align: center;">1</td> <td style="text-align: center;">0</td> <td></td> </tr> <tr> <td style="text-align: center;">1</td> <td style="text-align: center;">0</td> <td style="text-align: center;">1</td> <td>Linked with Interface 4 and Alternative Setting 0</td> </tr> <tr> <td style="text-align: center;">1</td> <td style="text-align: center;">0</td> <td style="text-align: center;">0</td> <td>Linked with Interface 3 and Alternative Setting 0</td> </tr> <tr> <td style="text-align: center;">0</td> <td style="text-align: center;">1</td> <td style="text-align: center;">1</td> <td>Linked with Interface 2 and Alternative Setting 0</td> </tr> <tr> <td style="text-align: center;">0</td> <td style="text-align: center;">1</td> <td style="text-align: center;">0</td> <td>Linked with Interface 1 and Alternative Setting 0</td> </tr> <tr> <td style="text-align: center;">0</td> <td style="text-align: center;">0</td> <td style="text-align: center;">1</td> <td>Linked with Interface 0 and Alternative Setting 0</td> </tr> <tr> <td style="text-align: center;">0</td> <td style="text-align: center;">0</td> <td style="text-align: center;">0</td> <td>Not linked with Interface (default value)</td> </tr> </tbody> </table> <p>When these bits are set to 110 or 111, they are invalid even if the E42AL1 bit is cleared to 0. If the endpoint is linked, setting of the CONF bit of the UF0MODS register to 1 indicates that Endpoint4 is valid.</p>	E4EN2	E4EN1	E4EN0	Link status	1	1	1	Not linked with Interface	1	1	0		1	0	1	Linked with Interface 4 and Alternative Setting 0	1	0	0	Linked with Interface 3 and Alternative Setting 0	0	1	1	Linked with Interface 2 and Alternative Setting 0	0	1	0	Linked with Interface 1 and Alternative Setting 0	0	0	1	Linked with Interface 0 and Alternative Setting 0	0	0	0	Not linked with Interface (default value)
E4EN2	E4EN1	E4EN0	Link status																																			
1	1	1	Not linked with Interface																																			
1	1	0																																				
1	0	1	Linked with Interface 4 and Alternative Setting 0																																			
1	0	0	Linked with Interface 3 and Alternative Setting 0																																			
0	1	1	Linked with Interface 2 and Alternative Setting 0																																			
0	1	0	Linked with Interface 1 and Alternative Setting 0																																			
0	0	1	Linked with Interface 0 and Alternative Setting 0																																			
0	0	0	Not linked with Interface (default value)																																			
4	E42AL1	<p>This bit validates Endpoint4 when the two-series Alternative Setting and the Alternative Setting of the linked Interface are set to 1.</p> <p style="margin-left: 20px;">1: Validate the endpoint when Alternative Setting 1 is set with CONF bit = 1. 0: Do not validate the endpoint even when Alternative Setting 1 is set with CONF bit = 1 (default value).</p> <p>This bit is valid when the E45AL4 to E45AL1 bits are 0000.</p>																																				
3 to 0	E45ALn	<p>These bits validate Endpoint4 when the five-series Alternative Setting and the Alternative Setting of the linked Interface are set to n.</p> <p style="margin-left: 20px;">1: Validate the endpoint when Alternative Setting n is set with CONF bit = 1. 0: Do not validate the endpoint even when Alternative Setting n is set with CONF bit = 1 (default value).</p>																																				

Remark n = 1 to 4

(42) UF0 endpoint 7 interface mapping register (UF0E7IM)

This register specifies for which Interface and Alternative Setting Endpoint7 is valid.

This register can be read or written in 8-bit units.

The setting of this register and the Alternative Setting selected by the SET_INTERFACE request indicate whether Endpoint7 is currently valid, and the hardware determines how the GET_STATUS/CLEAR_FEATURE/SET_FEATURE Endpoint7 request and the IN transaction to Endpoint7 are responded to, and whether the related bits are valid or invalid.

	7	6	5	4	3	2	1	0	Address	After reset
UF0E7IM	E7EN2	E7EN1	E7EN0	E72AL1	E75AL4	E75AL3	E75AL2	E75AL1	00200092H	00H

Bit position	Bit name	Function																																			
7 to 5	E7EN2 to E7EN0	<p>These bits set a link between the Interface of Endpoint7 and the two-/five-series Alternative Setting. The endpoint is linked with Alternative Setting 0. The endpoint linked with Alternative Setting 0 cannot be excluded from Alternative Setting 1 to 4.</p> <table border="1" style="width: 100%; border-collapse: collapse; margin: 10px 0;"> <thead> <tr> <th style="width: 10%;">E7EN2</th> <th style="width: 10%;">E7EN1</th> <th style="width: 10%;">E7EN0</th> <th style="width: 70%;">Link status</th> </tr> </thead> <tbody> <tr> <td style="text-align: center;">1</td> <td style="text-align: center;">1</td> <td style="text-align: center;">1</td> <td>Not linked with Interface</td> </tr> <tr> <td style="text-align: center;">1</td> <td style="text-align: center;">1</td> <td style="text-align: center;">0</td> <td rowspan="2">Linked with Interface 4 and Alternative Setting 0</td> </tr> <tr> <td style="text-align: center;">1</td> <td style="text-align: center;">0</td> <td style="text-align: center;">1</td> </tr> <tr> <td style="text-align: center;">1</td> <td style="text-align: center;">0</td> <td style="text-align: center;">0</td> <td>Linked with Interface 3 and Alternative Setting 0</td> </tr> <tr> <td style="text-align: center;">0</td> <td style="text-align: center;">1</td> <td style="text-align: center;">1</td> <td>Linked with Interface 2 and Alternative Setting 0</td> </tr> <tr> <td style="text-align: center;">0</td> <td style="text-align: center;">1</td> <td style="text-align: center;">0</td> <td>Linked with Interface 1 and Alternative Setting 0</td> </tr> <tr> <td style="text-align: center;">0</td> <td style="text-align: center;">0</td> <td style="text-align: center;">1</td> <td>Linked with Interface 0 and Alternative Setting 0</td> </tr> <tr> <td style="text-align: center;">0</td> <td style="text-align: center;">0</td> <td style="text-align: center;">0</td> <td>Not linked with Interface (default value)</td> </tr> </tbody> </table> <p>When these bits are set to 110 or 111, they are invalid even if the E72AL1 bit is cleared to 0. If the endpoint is linked, setting of the CONF bit of the UF0MODS register to 1 indicates that Endpoint7 is valid.</p>	E7EN2	E7EN1	E7EN0	Link status	1	1	1	Not linked with Interface	1	1	0	Linked with Interface 4 and Alternative Setting 0	1	0	1	1	0	0	Linked with Interface 3 and Alternative Setting 0	0	1	1	Linked with Interface 2 and Alternative Setting 0	0	1	0	Linked with Interface 1 and Alternative Setting 0	0	0	1	Linked with Interface 0 and Alternative Setting 0	0	0	0	Not linked with Interface (default value)
E7EN2	E7EN1	E7EN0	Link status																																		
1	1	1	Not linked with Interface																																		
1	1	0	Linked with Interface 4 and Alternative Setting 0																																		
1	0	1																																			
1	0	0	Linked with Interface 3 and Alternative Setting 0																																		
0	1	1	Linked with Interface 2 and Alternative Setting 0																																		
0	1	0	Linked with Interface 1 and Alternative Setting 0																																		
0	0	1	Linked with Interface 0 and Alternative Setting 0																																		
0	0	0	Not linked with Interface (default value)																																		
4	E72AL1	<p>This bit validates Endpoint7 when the two-series Alternative Setting and the Alternative Setting of the linked Interface are set to 1.</p> <p style="margin-left: 20px;">1: Validate the endpoint when Alternative Setting 1 is set with CONF bit = 1. 0: Do not validate the endpoint even when Alternative Setting 1 is set with CONF bit = 1 (default value).</p> <p>This bit is valid when the E75AL4 to E75AL1 bits are 0000.</p>																																			
3 to 0	E75ALn	<p>These bits validate Endpoint7 when the five-series Alternative Setting and the Alternative Setting of the linked Interface are set to n.</p> <p style="margin-left: 20px;">1: Validate the endpoint when Alternative Setting n is set with CONF bit = 1. 0: Do not validate the endpoint even when Alternative Setting n is set with CONF bit = 1 (default value).</p>																																			

Remark n = 1 to 4

20.6.4 Data hold registers

(1) UF0 EP0 read register (UF0E0R)

The UF0E0R register is a 64-byte FIFO that stores the OUT data sent from the host in the data stage of control transfer to/from Endpoint0.

This register is read-only, in 8-bit units. A write access to this register is ignored.

The hardware automatically transfers data to the UF0E0R register when it has received the data from the host. When the data has been correctly received, the E0ODT bit of the UF0IS1 register is set to 1. The UF0E0L register holds the quantity of the received data, and an interrupt request (INTUSBF0) is issued. The UF0E0L register always updates the length of the received data while it is receiving data. If the final transfer is correct reception, the interrupt request is generated. If the reception is abnormal, the UF0E0L register is cleared to 0 and the interrupt request is not generated.

The data held by the UF0E0R register must be read by FW up to the value of the amount of data read by the UF0E0L register. Check that all data has been read by using the EP0R bit of the UF0EPS0 register (EP0R bit = 0 when all data has been read). If the value of the UF0E0L register is 0, the EP0NKR bit of the UF0E0N register is cleared to 0, and the UF0E0R register is ready for reception. The UF0E0R register is cleared when the next SETUP token has been received.

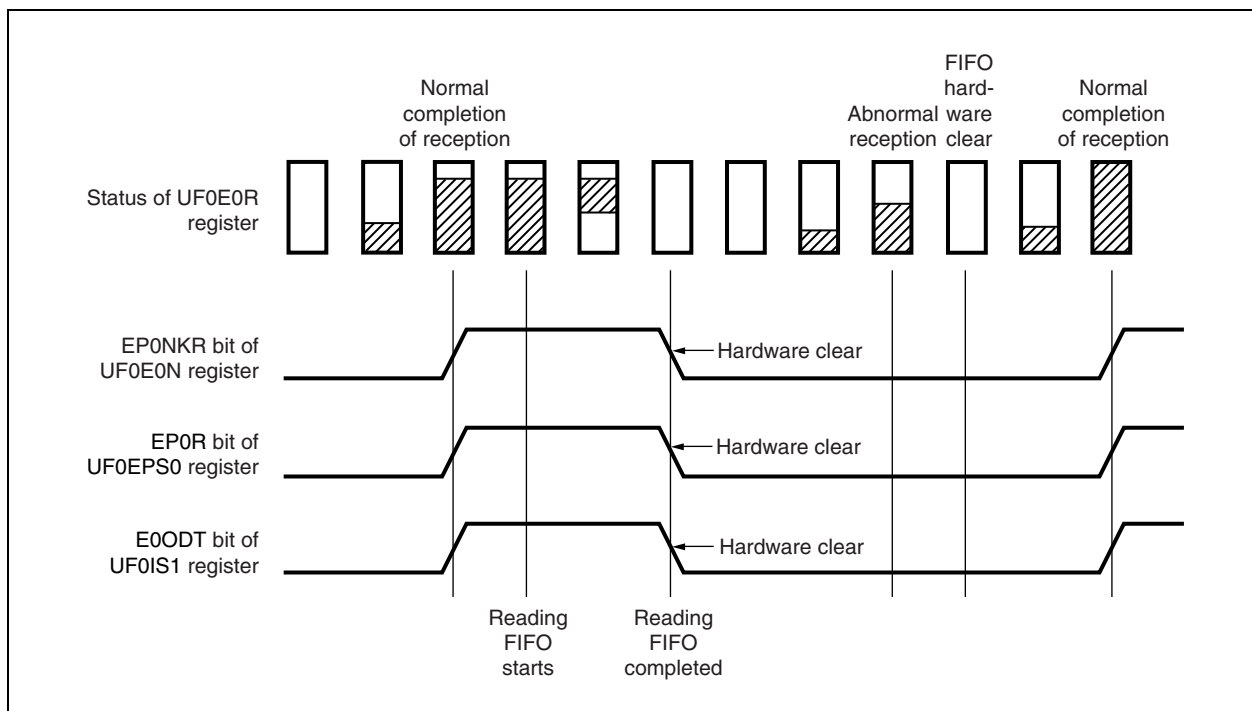
Caution Read all the data stored. Clear the FIFO to discard some data.

	7	6	5	4	3	2	1	0			
UF0E0R	E0R7	E0R6	E0R5	E0R4	E0R3	E0R2	E0R1	E0R0	00200100H	After reset	Undefined

Bit position	Bit name	Function
7 to 0	E0R7 to E0R0	These bits store the OUT data sent from the host in the data stage of control transfer to/from Endpoint0.

The operation of the UF0E0R register is illustrated below.

Figure 20-4. Operation of UF0E0R Register



(2) UF0 EP0 length register (UF0E0L)

The UF0E0L register stores the data length held by the UF0E0R register.

This register is read-only, in 8-bit units. A write access to this register is ignored.

The UF0E0L register always updates the length of the received data while it is receiving data. If the final transfer is abnormal reception, the UF0E0L register is cleared to 0 and the interrupt request is not generated. The interrupt request is generated only when the reception is normal, and the FW can read as many data from the UF0E0R register as the value read from the UF0E0L register. The value of the UF0E0L register is decremented each time the UF0E0R register has been read.

	7	6	5	4	3	2	1	0	Address	After reset
UF0E0L	E0L7	E0L6	E0L5	E0L4	E0L3	E0L2	E0L1	E0L0	00200102H	00H

Bit position	Bit name	Function
7 to 0	E0L7 to E0L0	These bits store the data length held by the UF0E0R register.

(3) UF0 EP0 setup register (UF0E0ST)

The UF0E0ST register holds the SETUP data sent from the host.

This register is read-only, in 8-bit units. A write access to this register is ignored.

The UF0E0ST register always writes data when a SETUP transaction has been received. The hardware sets the PROT bit of the UF0IS1 register when it has correctly received the SETUP transaction. It sets the CPUDEC bit of the UF0IS1 register in the case of an FW-processed request. Then an interrupt request (INTUSBF0) is issued. In the case of an FW-processed request, be sure to read the request in 8-byte units. If it is not read in 8-byte units, the subsequent requests cannot be correctly decoded. The read counter of the UF0E0ST register is not cleared even when Bus Reset is received. Always read this counter in 8-byte units regardless of whether Bus Reset is received or not.

Because the UF0E0ST register always enables writing, the hardware overwrites data to this register even if a SETUP transaction is received while the data of the register is being read. Even if the SETUP transaction cannot be correctly received, the CPUDEC interrupt request and Protect interrupt request are not generated, but the previous data is discarded. If a SETUP token of less than 8 bytes is received, however, the received SETUP token is discarded, and the previously received SETUP data is retained. If the SETUP token is received more than once when control transfer is executed once, be sure to check the PROT bit of the UF0IS1 register under the conditions below. If PROT bit = 1, read the UF0E0ST register again because the SETUP transaction has been received more than once.

<1> If a request is decoded by FW and the UF0E0R register is read or the UF0E0W register is written

<2> When preparing for a STALL response for the request to which the decode result does not correspond

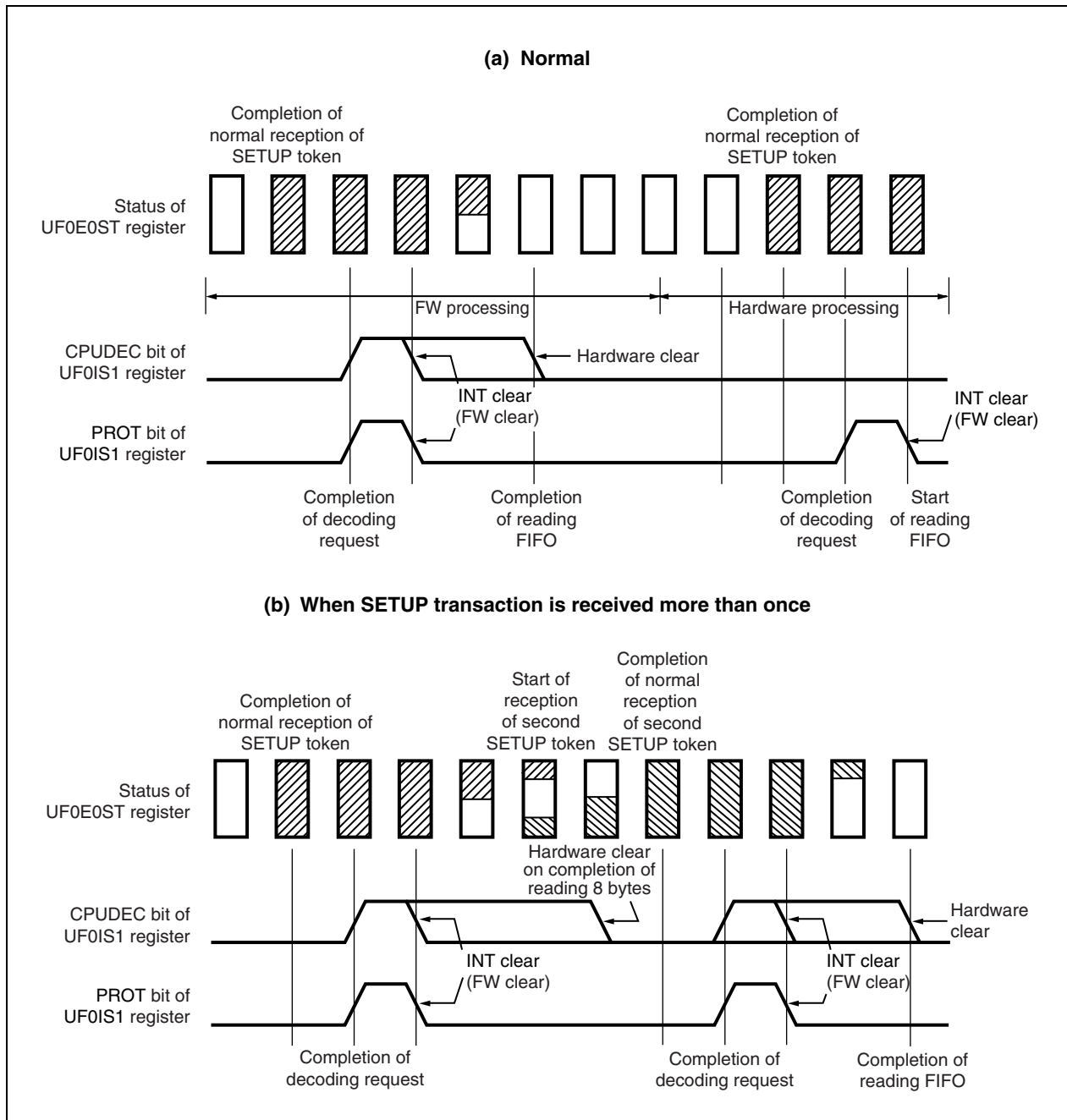
Caution Be sure to read all the stored data. The UF0E0ST register is always updated by the request in the SETUP transaction.

	7	6	5	4	3	2	1	0	Address	After reset
UF0E0ST	E0S7	E0S6	E0S5	E0S4	E0S3	E0S2	E0S1	E0S0	00200104H	00H

Bit position	Bit name	Function
7 to 0	E0S7 to E0S0	These bits hold the SETUP data sent from the host.

The operation of the UF0E0ST register is illustrated below.

Figure 20-5. Operation of UF0E0ST Register



(4) UF0E0W write register (UF0E0W)

The UF0E0W register is a 64-byte FIFO that stores the IN data (passes it to SIE) sent to the host in the data stage to Endpoint0.

This register is write-only, in 8-bit units. When this register is read, 00H is read.

The hardware transmits data to the USB bus in synchronization with an IN token only when the EP0NKW bit of the UF0E0N register is set to 1 (when NAK is not transmitted). When data is transmitted and when the host correctly receives the data, the EP0NKW bit of the UF0E0N register is automatically cleared to 0 by hardware. A short packet is transmitted when data is written to the UF0E0W register and the E0DED bit of the UF0DEND register is set to 1 (EP0W bit of the UF0EPS0 register = 1 (data exists)). A Null packet is transmitted when the UF0E0W register is cleared and the E0DED bit of the UF0DEND register is set to 1 (EP0W bit of the UF0EPS0 register = 1 (data exists)).

The UF0E0W register is cleared to 0 when the next SETUP token is received while transmission has not been completed yet. If the stage of control transfer (read) changes to the status stage while ACK has not been correctly received in the data stage, the UF0E0W register is automatically cleared to 0. At the same time, it is also cleared to 0 if the EP0NKW bit of the UF0E0N register is 1.

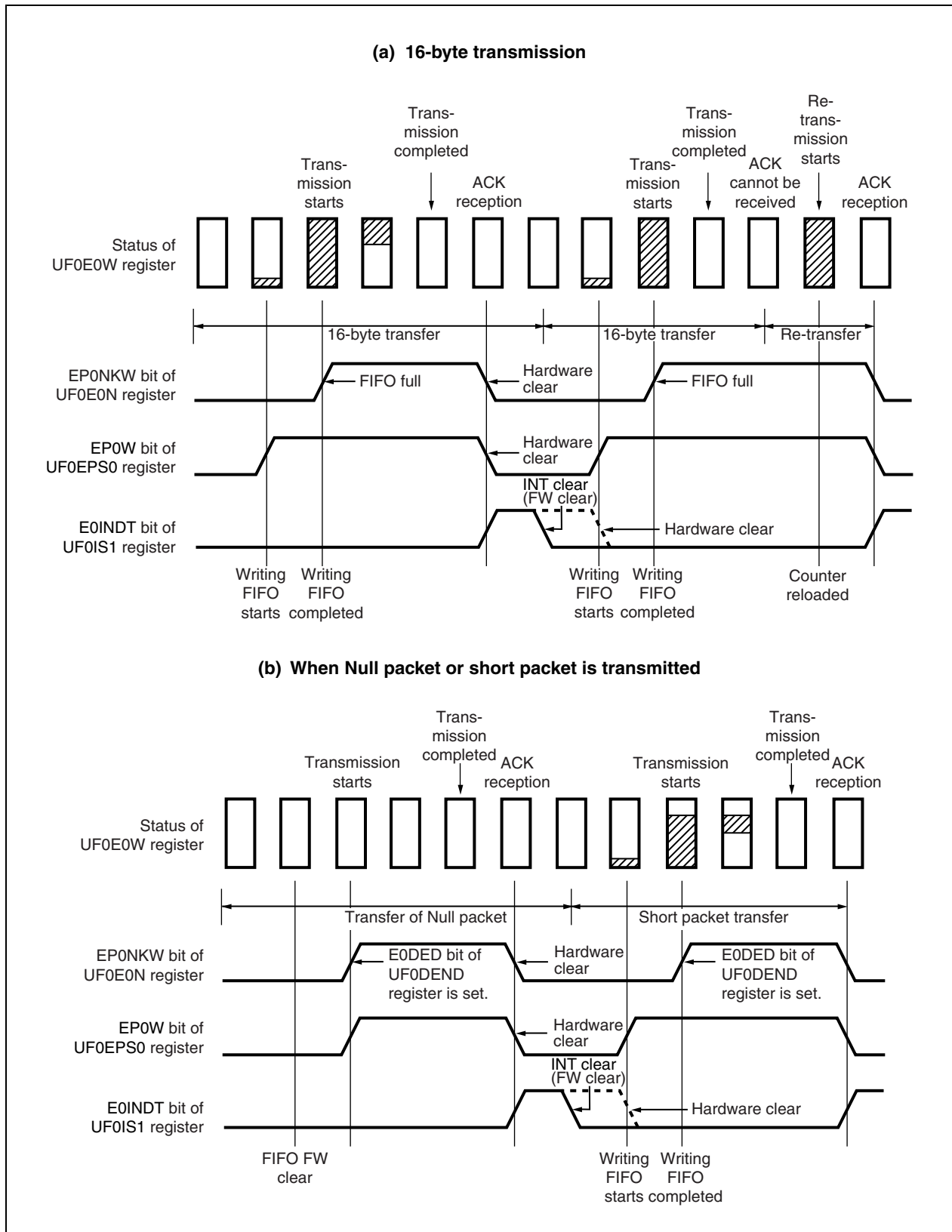
If the UF0E0W register is read while no data is in it, 00H is read.

	7	6	5	4	3	2	1	0		
UF0E0W	E0W7	E0W6	E0W5	E0W4	E0W3	E0W2	E0W1	E0W0	Address	After reset
									00200106H	Undefined

Bit position	Bit name	Function
7 to 0	E0W7 to E0W0	These bits store the IN data sent to the host in the data stage to Endpoint0.

The operation of the UF0E0W register is illustrated below.

Figure 20-6. Operation of UF0E0W Register



(5) UF0 bulk-out 1 register (UF0BO1)

The UF0BO1 register is a 64-byte × 2 FIFO that stores data for Endpoint2. This register consists of two banks of 64-byte FIFOs each of which performs a toggle operation and repeatedly connects the buses on the SIE and CPU sides. The toggle operation takes place when data is in the FIFO on the SIE side and when no data is in the FIFO on the CPU side (counter value = 0).

This register is read-only, in 8-bit units. A write access to this register is ignored.

When the hardware receives data for Endpoint2 from the host, it automatically transfers the data to the UF0BO1 register. When the register correctly receives the data, a FIFO toggle operation occurs. As a result, the BKO1DT bit of the UF0IS3 register is set to 1, the quantity of the received data is held by the UF0BO1L register, and an interrupt request or DMA request is issued to the CPU. Whether the interrupt request or DMA request is issued can be selected by using the DQBO1MS bit of the UF0IDR register.

Read the data held by the UF0BO1 register by FW, up to the value of the amount of data read by the UF0BO1L register. When the correct received data is held by the FIFO connected to the SIE side and the value of the UF0BO1L register reaches 0, the toggle operation of the FIFO occurs, and the BKO1NK bit of the UF0EN register is automatically cleared to 0. If data greater than the value of the UF0BO1L register is read and if the FIFO toggle condition is satisfied, the toggle operation of the FIFO occurs. As a result, the next packet may be read by mistake. Note that, if the toggle condition is not satisfied, the first data is repeatedly read.

If overrun data is received while data is held by the FIFO connected to the CPU side, Endpoint2 stalls, and the FIFO on the CPU side is cleared.

When the UF0BO1 register is read while no data is in it, an undefined value is read.

Caution Be sure to read all the data stored in this register.

	7	6	5	4	3	2	1	0	Address	After reset
UF0BO1	BKO17	BKO16	BKO15	BKO14	BKO13	BKO12	BKO11	BKO10	00200108H	Undefined

Bit position	Bit name	Function
7 to 0	BKO17 to BKO10	These bits store data for Endpoint2.

The operation of the UF0BO1 register is illustrated below.

Figure 20-7. Operation of UF0BO1 Register (1/2)

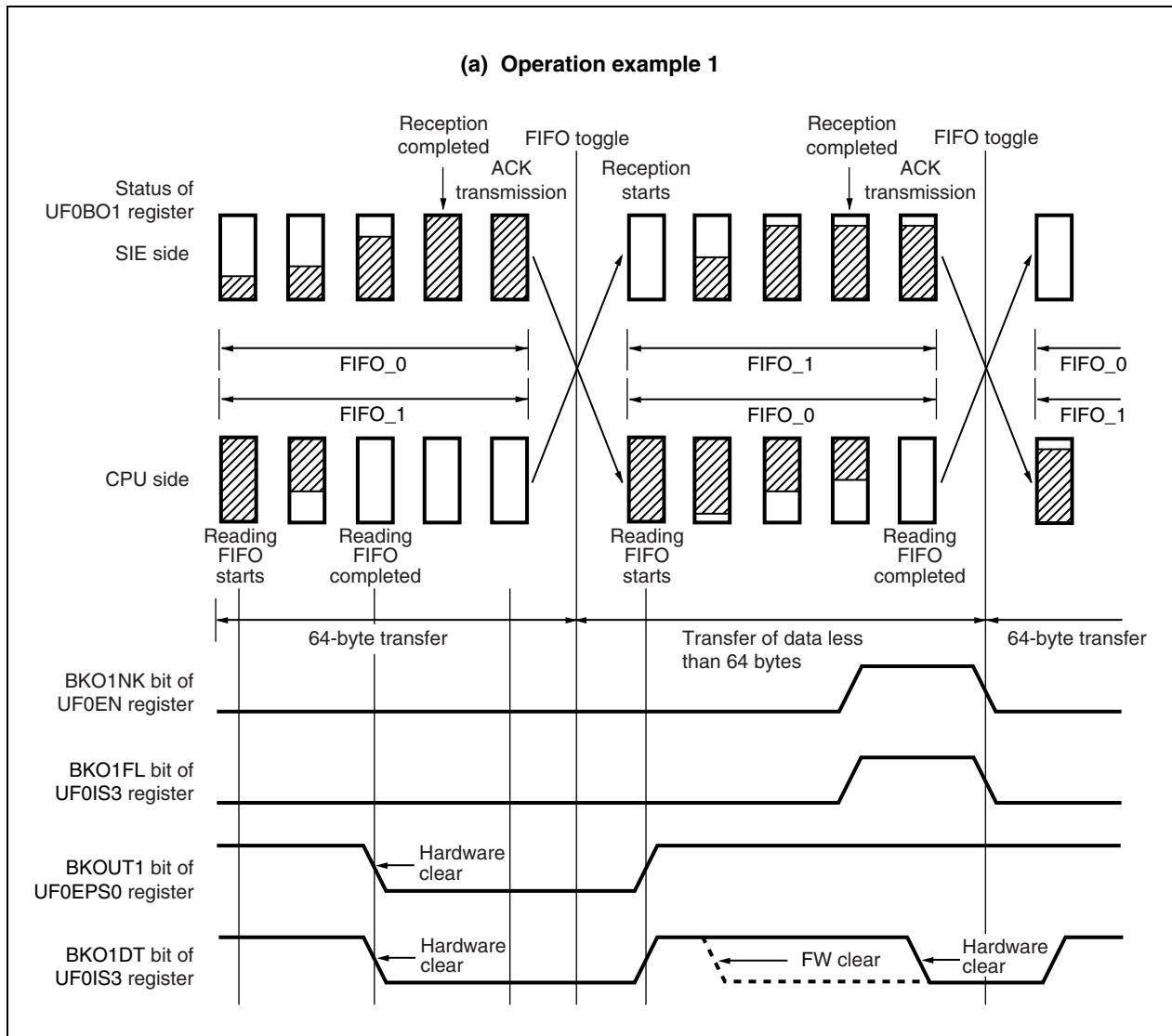
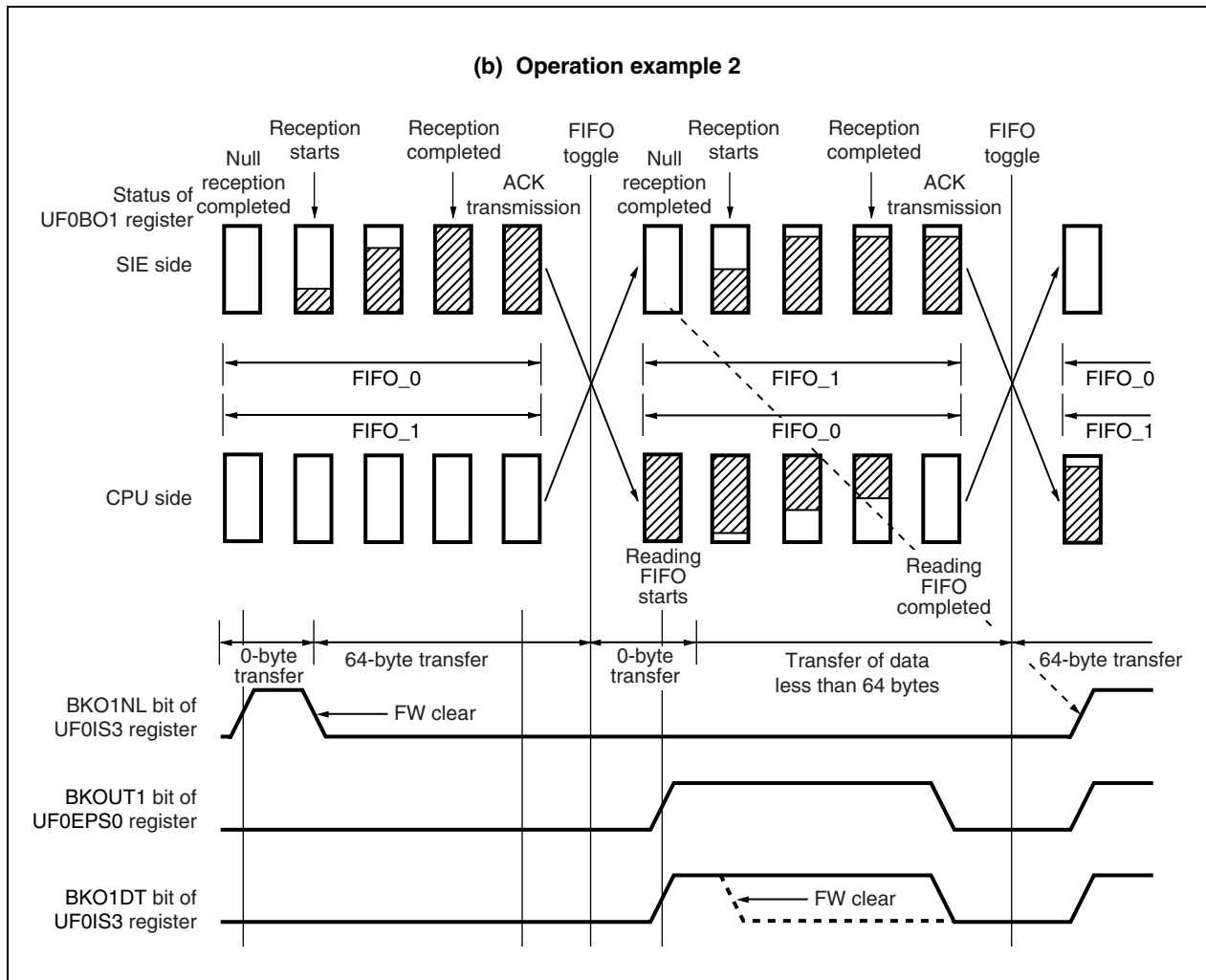


Figure 20-7. Operation of UF0BO1 Register (2/2)



(6) UF0 bulk-out 1 length register (UF0BO1L)

The UF0BO1L register stores the length of the data held by the UF0BO1 register.

This register is read-only, in 8-bit units. A write access to this register is ignored.

The UF0BO1L register always updates the received data length while it is receiving data. If the final transfer is abnormal reception, the UF0BO1L register is cleared to 00H, and an interrupt request is not generated. Only if the reception is normal, the interrupt request is generated, and FW can read as much data from the UF0BO1 register as the value read from the UF0BO1L register. The value of the UF0BO1L register is decremented each time the UF0BO1 register has been read.

	7	6	5	4	3	2	1	0	Address	After reset
UF0BO1L	BKO1L7	BKO1L6	BKO1L5	BKO1L4	BKO1L3	BKO1L2	BKO1L1	BKO1L0	0020010AH	00H
Bit position	Bit name	Function								
7 to 0	BKO1L7 to BKO1L0	These bits store the length of the data held by the UF0BO1 register.								

(7) UF0 bulk-out 2 register (UF0BO2)

The UF0BO2 register is a 64-byte × 2 FIFO that stores data for Endpoint4. This register consists of two banks of 64-byte FIFOs each of which performs a toggle operation and repeatedly connects the buses on the SIE and CPU sides. The toggle operation takes place when data is in the FIFO on the SIE side and when no data is in the FIFO on the CPU side (counter value = 0).

This register is read-only, in 8-bit units. A write access to this register is ignored.

When the hardware receives data for Endpoint4 from the host, it automatically transfers the data to the UF0BO2 register. When the register correctly receives the data, a FIFO toggle operation occurs. As a result, the BKO2DT bit of the UF0IS3 register is set to 1, the quantity of the received data is held by the UF0BO2L register, and an interrupt request or DMA request is issued to the CPU. Whether the interrupt request or DMA request is issued can be selected by using the DQBO2MS bit of the UF0IDR register.

Read the data held by the UF0BO2 register by FW, up to the value of the amount of data read by the UF0BO2L register. When the correct received data is held by the FIFO connected to the SIE side and the value of the UF0BO2L register reaches 0, the toggle operation of the FIFO occurs, and the BKO2NK bit of the UF0EN register is automatically cleared to 0. If data greater than the value of the UF0BO2L register is read and if the FIFO toggle condition is satisfied, the toggle operation of the FIFO occurs. As a result, the next packet may be read by mistake. Note that, if the toggle condition is not satisfied, the first data is repeatedly read.

If overrun data is received while data is held by the FIFO connected to the CPU side, Endpoint4 stalls, and the FIFO on the CPU side is cleared.

When the UF0BO2 register is read while no data is in it, an undefined value is read.

Caution Be sure to read all the data stored in this register.

	7	6	5	4	3	2	1	0	Address	After reset
UF0BO2	BKO27	BKO26	BKO25	BKO24	BKO23	BKO22	BKO21	BKO20	0020010CH	Undefined

Bit position	Bit name	Function
7 to 0	BKO27 to BKO20	These bits store data for Endpoint4.

The operation of the UF0BO2 register is illustrated below.

Figure 20-8. Operation of UF0BO2 Register (1/2)

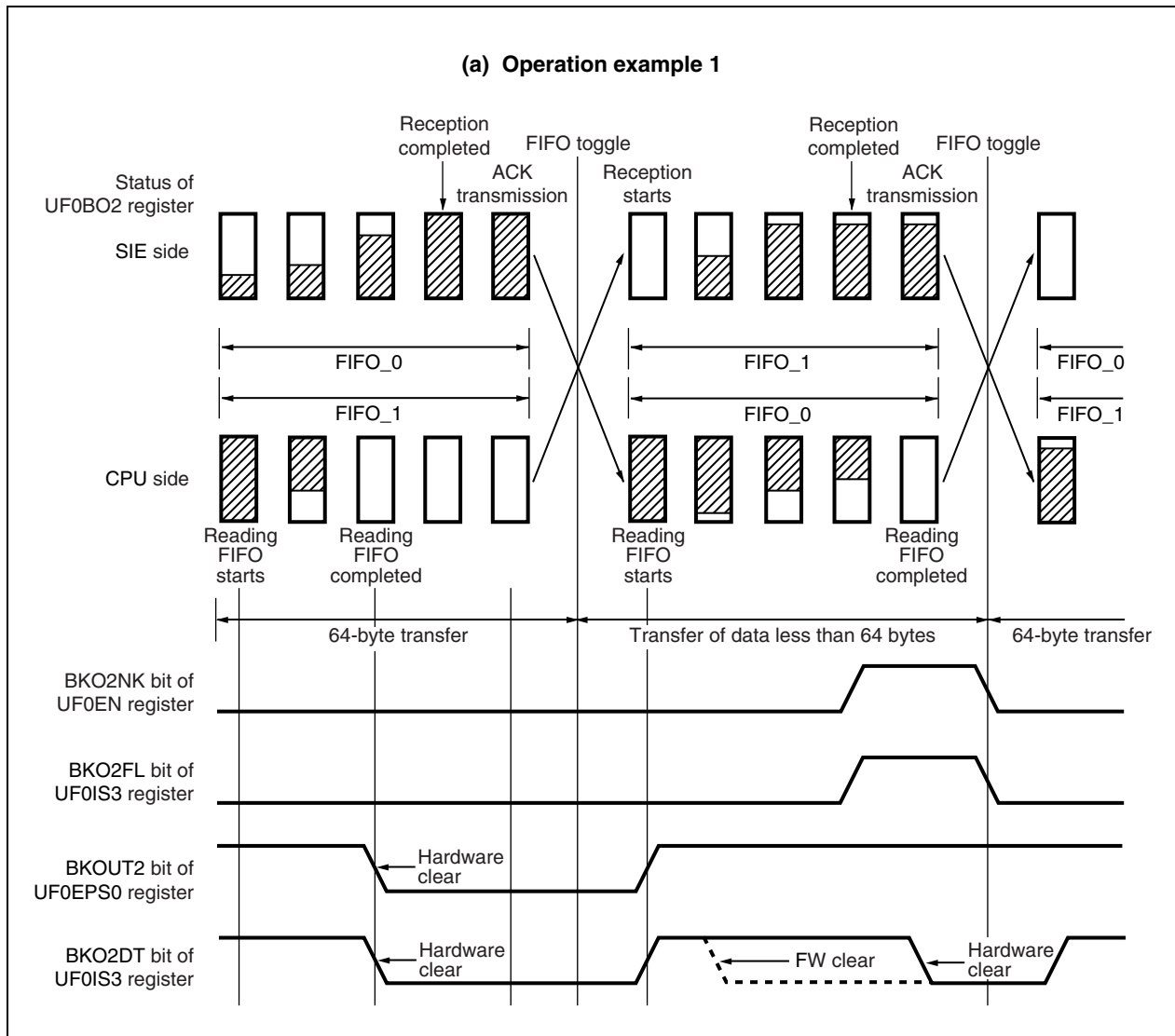
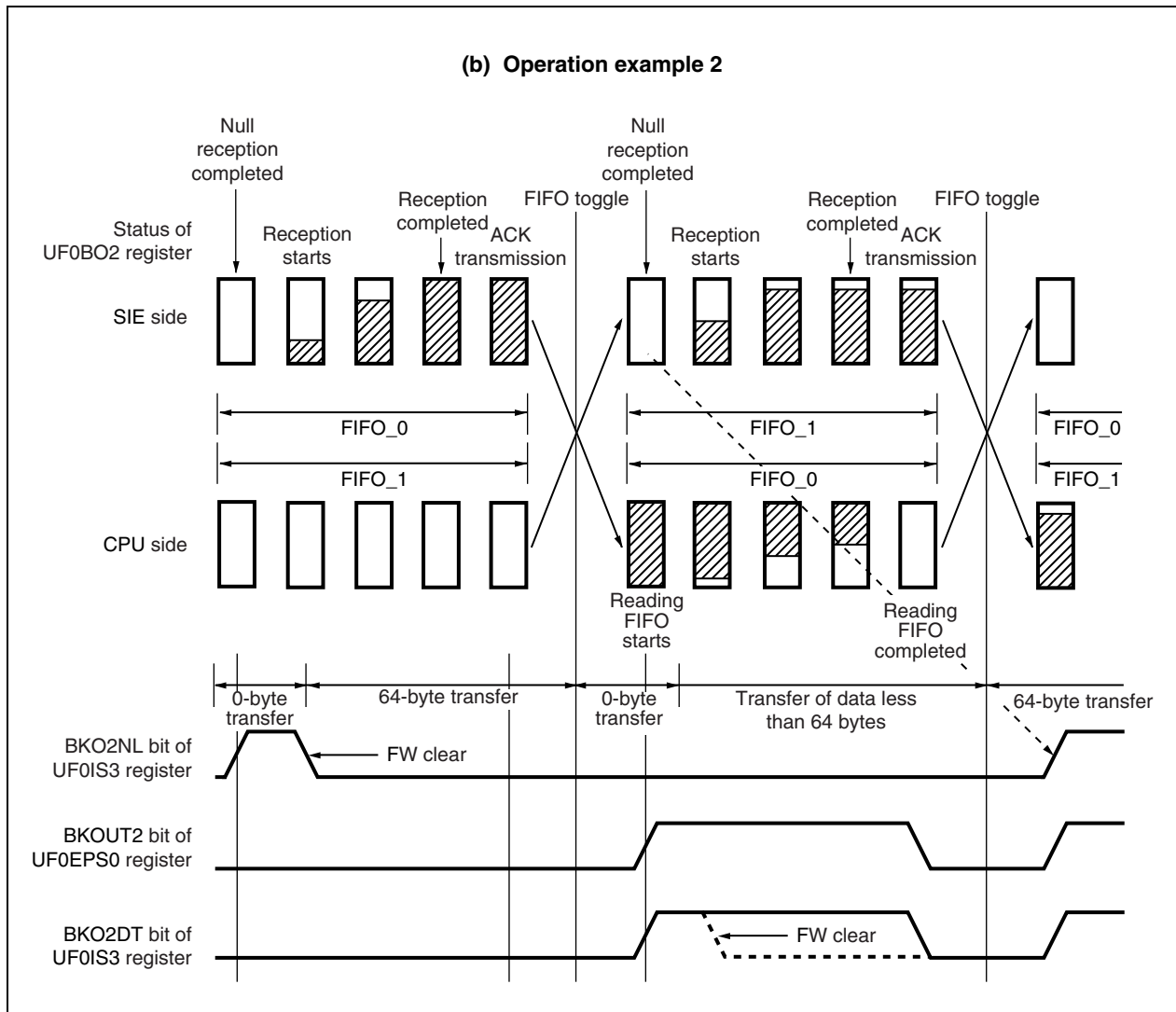


Figure 20-8. Operation of UF0BO2 Register (2/2)



(8) UF0 bulk-out 2 length register (UF0BO2L)

The UF0BO2L register stores the length of the data held by the UF0BO2 register.

This register is read-only, in 8-bit units. A write access to this register is ignored.

The UF0BO2L register always updates the received data length while it is receiving data. If the final transfer is abnormal reception, the UF0BO2L register is cleared to 00H, and an interrupt request is not generated. Only if the reception is normal, the interrupt request is generated, and FW can read as much data from the UF0BO2 register as the value read from the UF0BO2L register. The value of the UF0BO2L register is decremented each time the UF0BO2 register has been read.

	7	6	5	4	3	2	1	0	Address	After reset
UF0BO2L	BKO2L7	BKO2L6	BKO2L5	BKO2L4	BKO2L3	BKO2L2	BKO2L1	BKO2L0	0020010EH	00H

Bit position	Bit name	Function
7 to 0	BKO2L7 to BKO2L0	These bits store the length of the data held by the UF0BO2 register.

(9) UF0 bulk-in 1 register (UF0BI1)

The UF0BI1 register is a 64-byte × 2 FIFO that stores data for Endpoint1. This register consists of two banks of 64-byte FIFOs each of which performs a toggle operation and repeatedly connects the buses on the SIE and CPU sides. The toggle operation takes place when no data is in the FIFO on the SIE side (counter value = 0) and when the FIFO on the CPU side is correctly written (FIFO full or BKI1DED bit = 1).

This register is write-only, in 8-bit units. When this register is read, 00H is read.

The hardware transmits data to the USB bus in synchronization with the IN token for Endpoint1 only when the BKI1NK bit of the UF0EN register is set to 1 (when NAK is not transmitted). The address at which data is to be written or read is managed by the hardware. Therefore, FW can transmit data to the host only by writing the data to the UF0BI1 register sequentially. A short packet is transmitted when data is written to the UF0BI1 register and the BKI1DED bit of the UF0DEND register is set to 1 (BKIN1 bit of UF0EPS0 register = 1 (data exists)). A Null packet is transmitted when the UF0BI1 register is cleared and the BKI1DED bit of the UF0DEND register is set to 1 (BKIN1 bit of the UF0EPS0 register = 1 (data exists)). When the data is transmitted correctly, a FIFO toggle operation occurs. The BKI1DT bit of the UF0IS2 register is set to 1, and an interrupt request is generated for the CPU. An interrupt request or DMA request can be selected by using the DQBI1MS bit of the UF0IDR register.

	7	6	5	4	3	2	1	0	Address	After reset
UF0BI1	BKI17	BKI16	BKI15	BKI14	BKI13	BKI12	BKI11	BKI10	00200110H	Undefined

Bit position	Bit name	Function
7 to 0	BKI17 to BKI10	These bits store data for Endpoint1.

The operation of the UF0BI1 register is illustrated below.

Figure 20-9. Operation of UF0B11 Register (1/3)

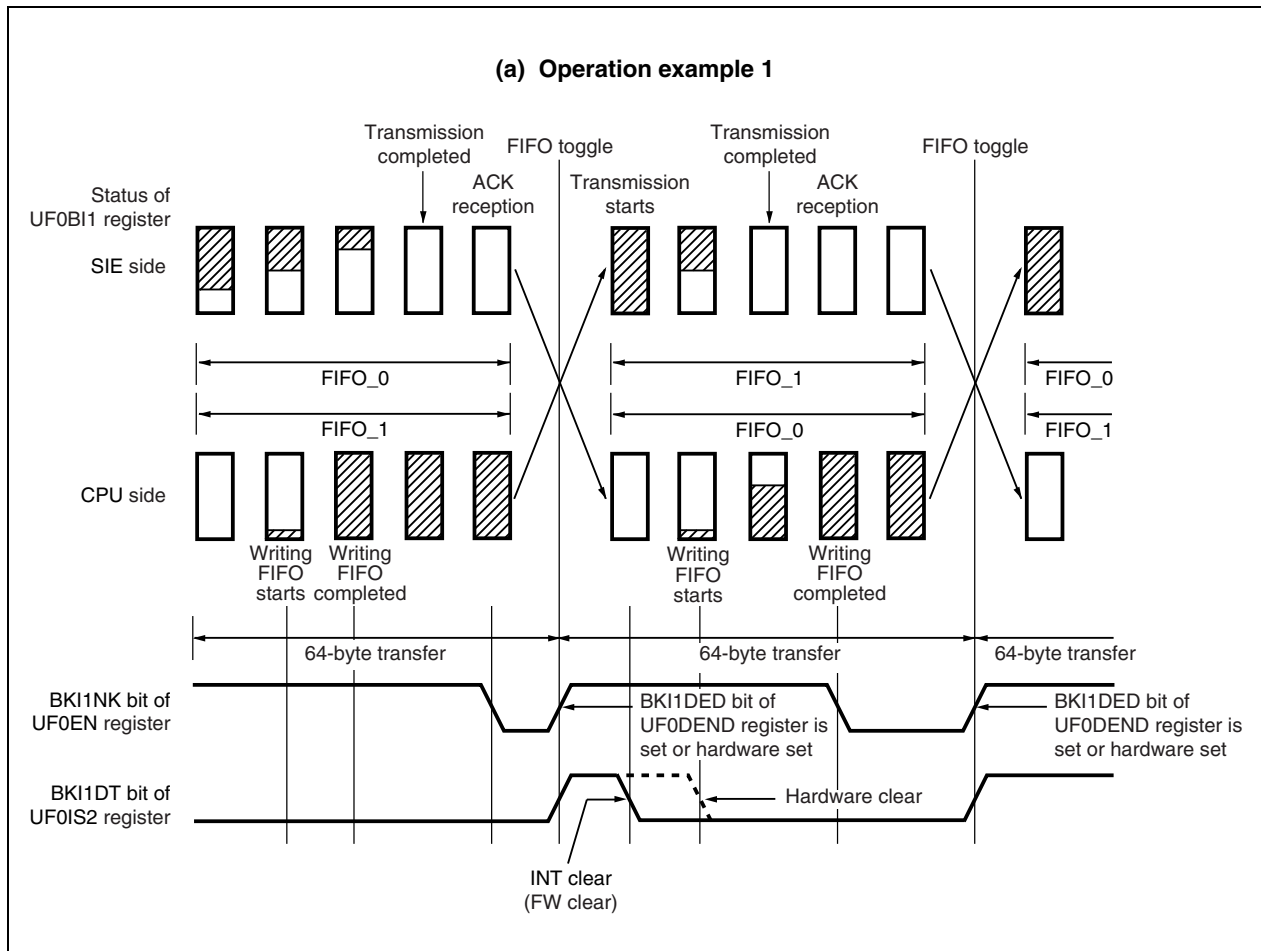


Figure 20-9. Operation of UF0BI1 Register (2/3)

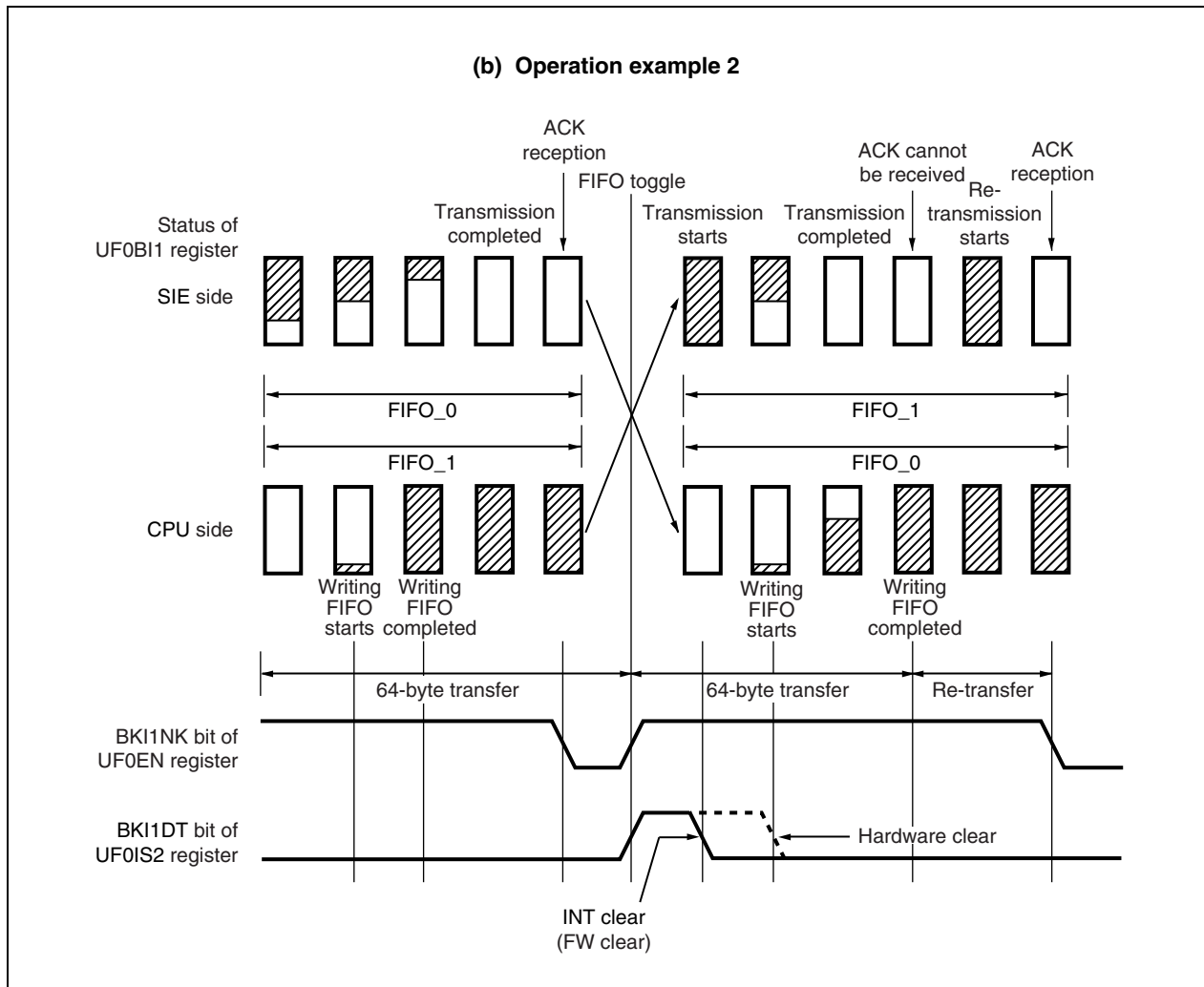
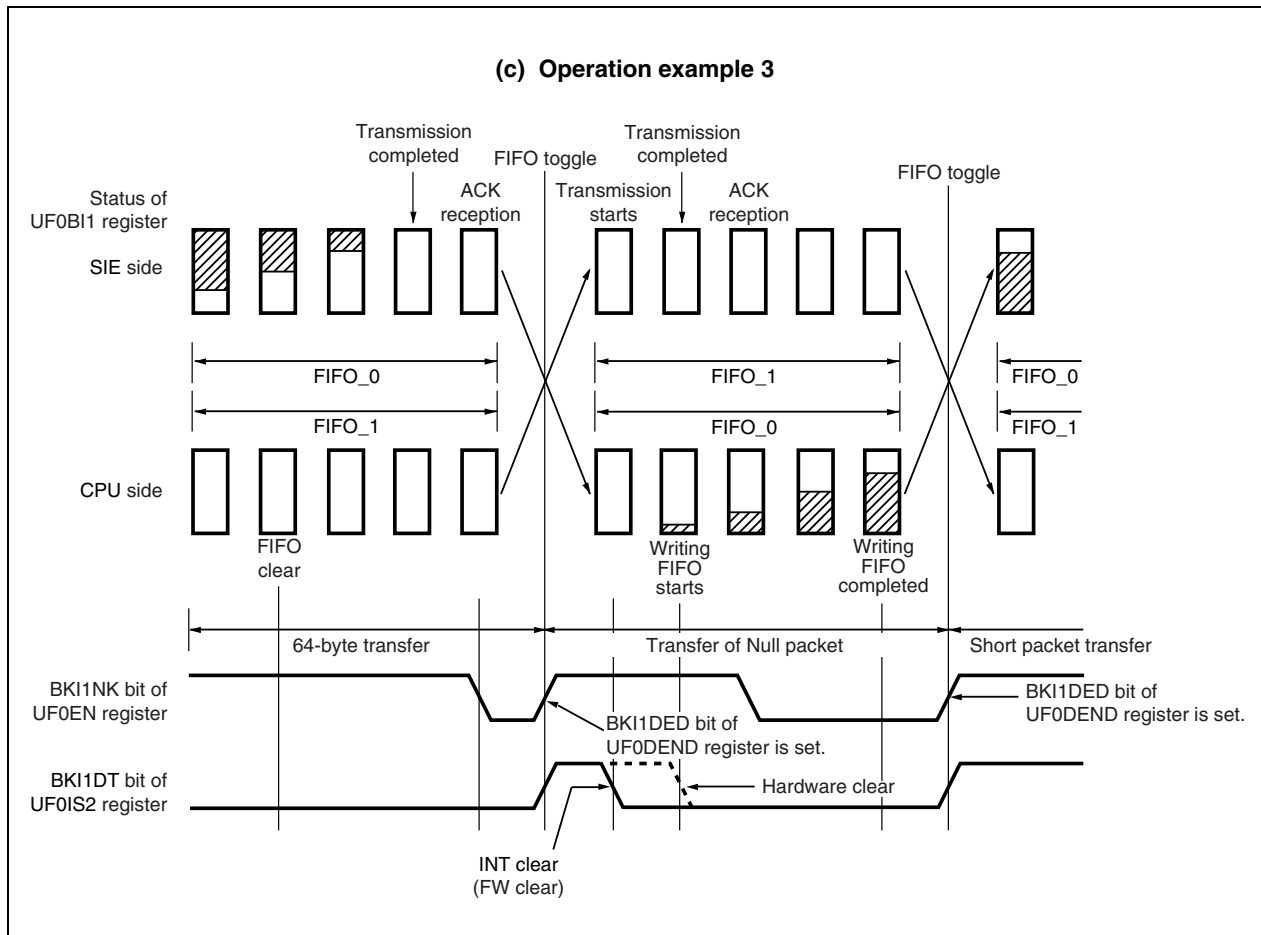


Figure 20-9. Operation of UF0B11 Register (3/3)



(10) UF0 bulk-in 2 register (UF0BI2)

The UF0BI2 register is a 64-byte × 2 FIFO that stores data for Endpoint3. This register consists of two banks of 64-byte FIFOs each of which performs a toggle operation and repeatedly connects the buses on the SIE and CPU sides. The toggle operation takes place when no data is in the FIFO on the SIE side (counter value = 0) and when the FIFO on the CPU side is correctly written (FIFO full or BKI2DED bit = 1).

This register is write-only, in 8-bit units. When this register is read, 00H is read.

The hardware transmits data to the USB bus in synchronization with the IN token for Endpoint3 only when the BKI2NK bit of the UF0EN register is set to 1 (when NAK is not transmitted). The address at which data is to be written or read is managed by the hardware. Therefore, FW can transmit data to the host only by writing the data to the UF0BI2 register sequentially. A short packet is transmitted when data is written to the UF0BI2 register and the BKI2DED bit of the UF0DEND register is set to 1 (BKIN2 bit of UF0EPS0 register = 1 (data exists)). A Null packet is transmitted when the UF0BI2 register is cleared and the BKI2DED bit of the UF0DEND register is set to 1 (BKIN2 bit of the UF0EPS0 register = 1 (data exists)). When the data is transmitted correctly, a FIFO toggle operation occurs. The BKI2DT bit of the UF0IS2 register is set to 1, and an interrupt request is generated for the CPU. An interrupt request or DMA request can be selected by using the DQBI2MS bit of the UF0IDR register.

	7	6	5	4	3	2	1	0	Address	After reset
UF0BI2	BKI27	BKI26	BKI25	BKI24	BKI23	BKI22	BKI21	BKI20	00200112H	Undefined

Bit position	Bit name	Function
7 to 0	BKI27 to BKI20	These bits store data for Endpoint3.

The operation of the UF0BI2 register is illustrated below.

Figure 20-10. Operation of UF0BI2 Register (1/3)

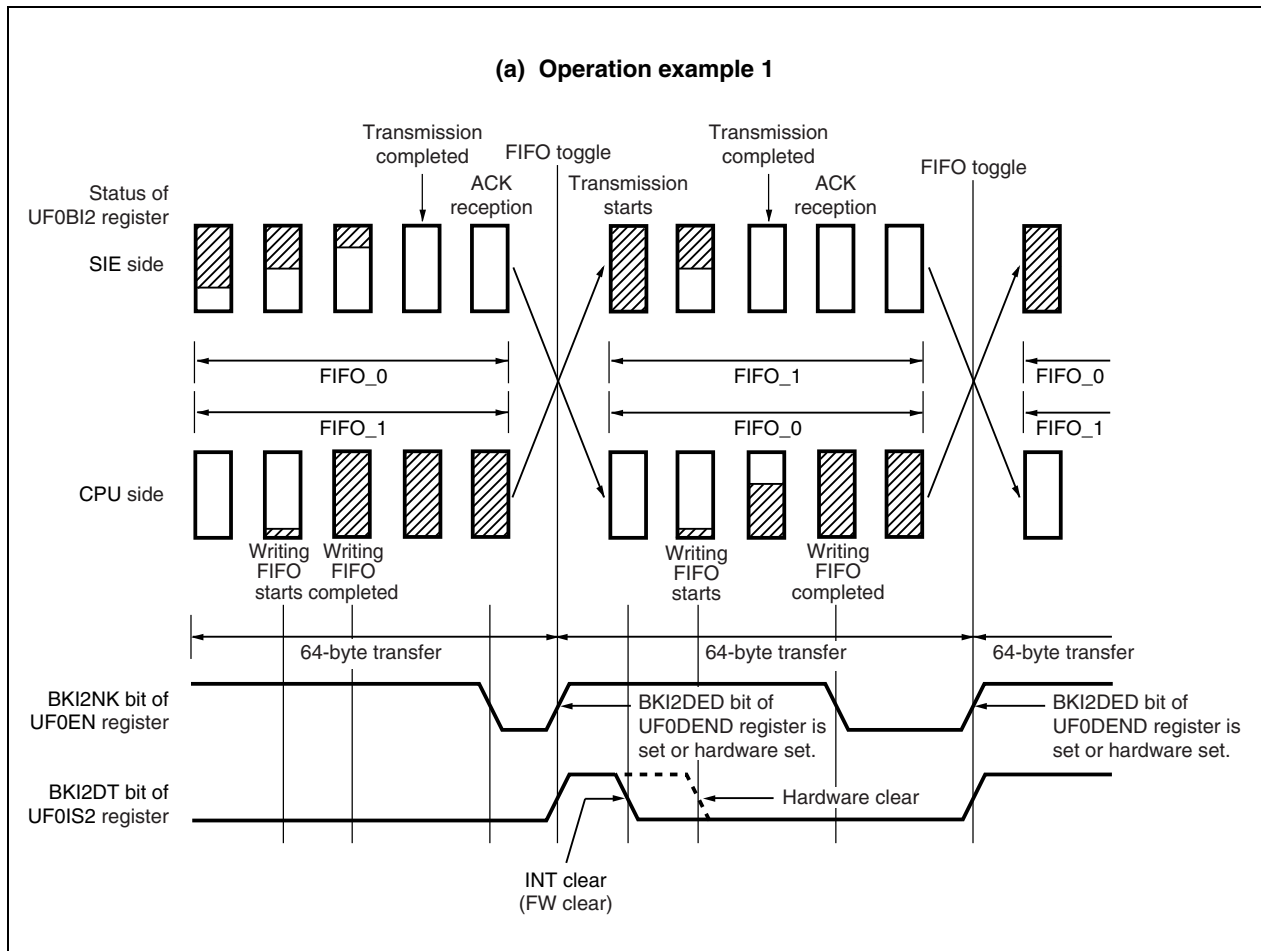


Figure 20-10. Operation of UF0BI2 Register (2/3)

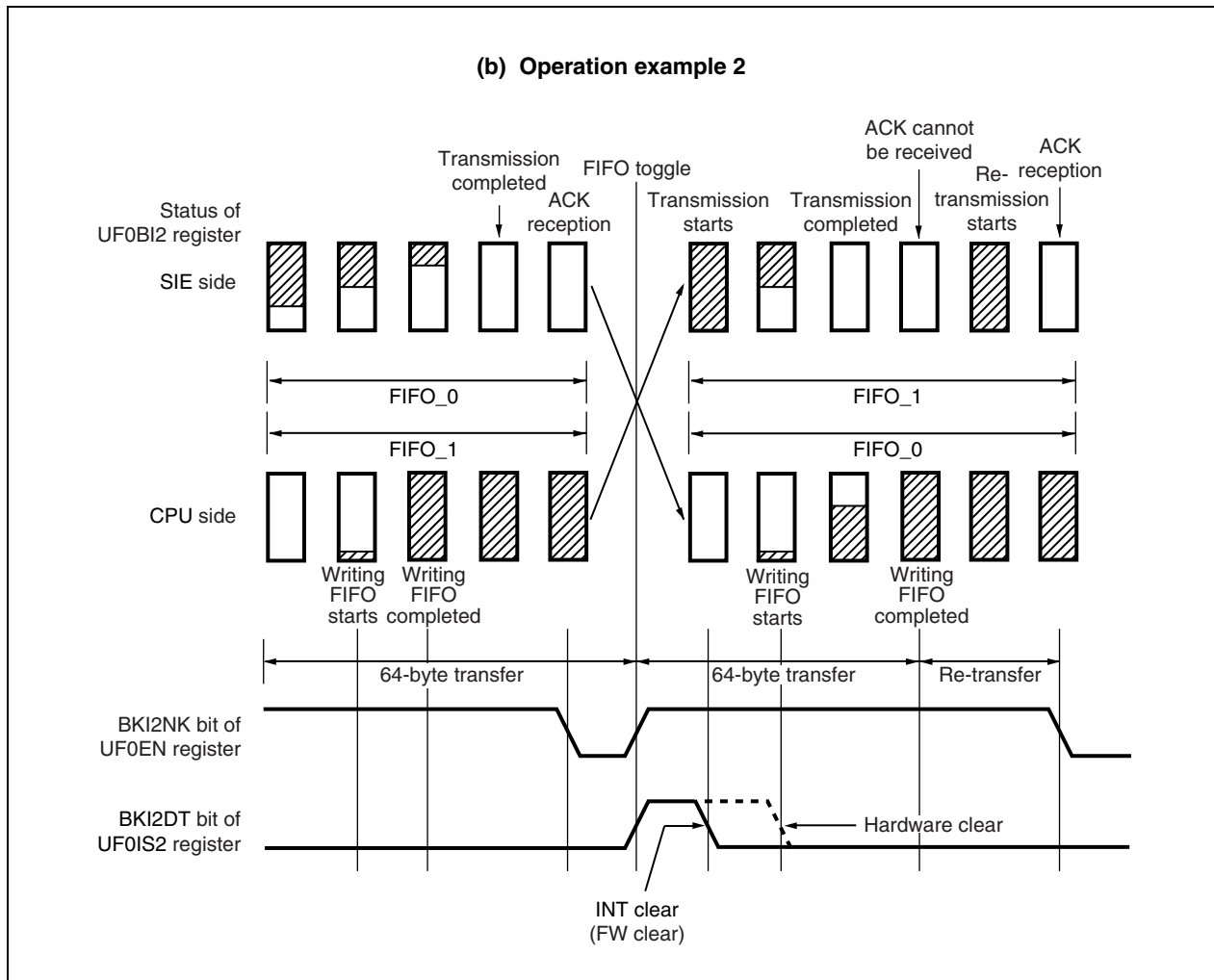
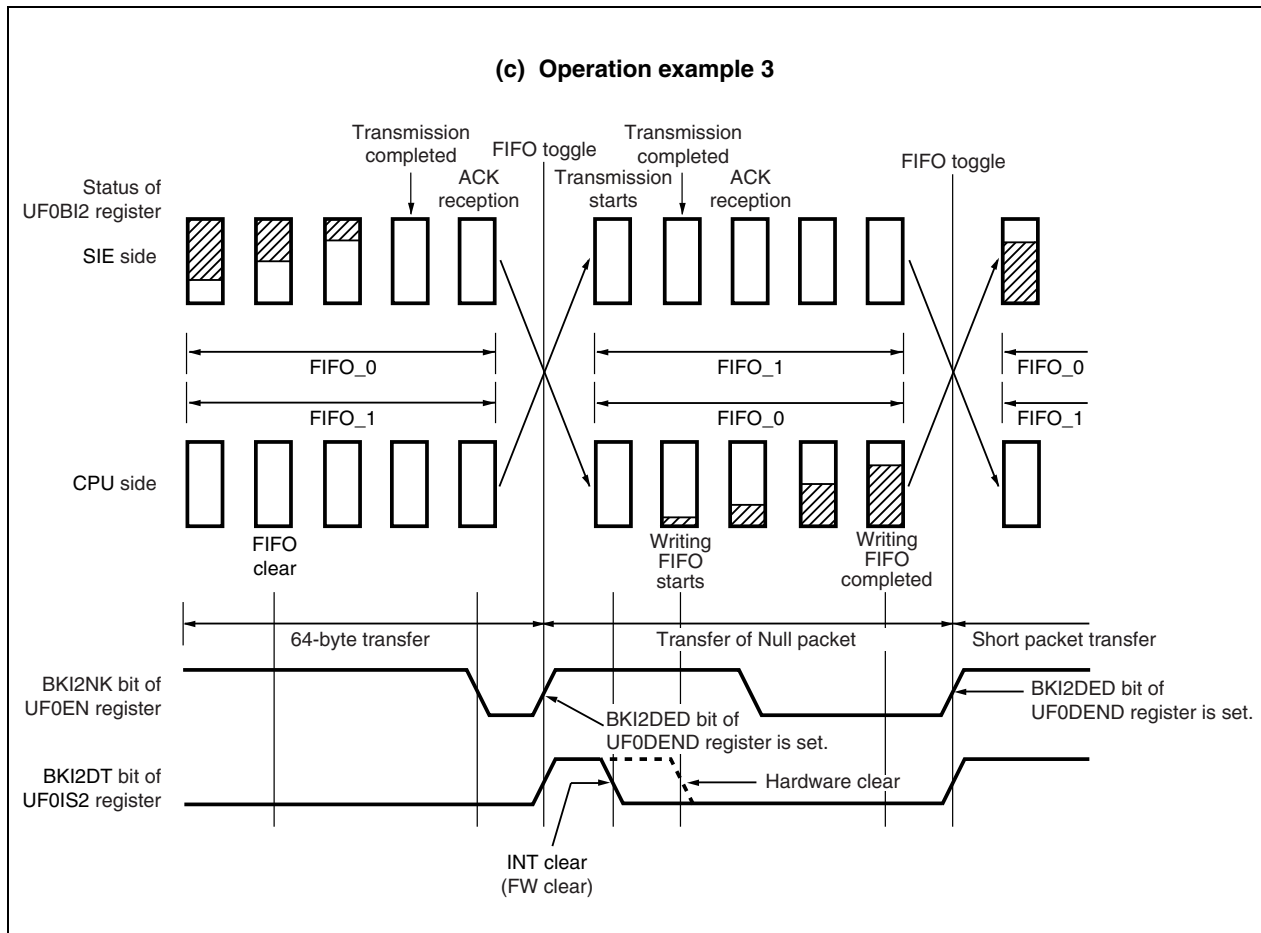


Figure 20-10. Operation of UF0BI2 Register (3/3)



(11) UF0 interrupt 1 register (UF0INT1)

The UF0INT1 register is an 8-byte FIFO that stores data for Endpoint7 (to be passed to SIE).

This register is write-only, in 8-bit units. When this register is read, 00H is read.

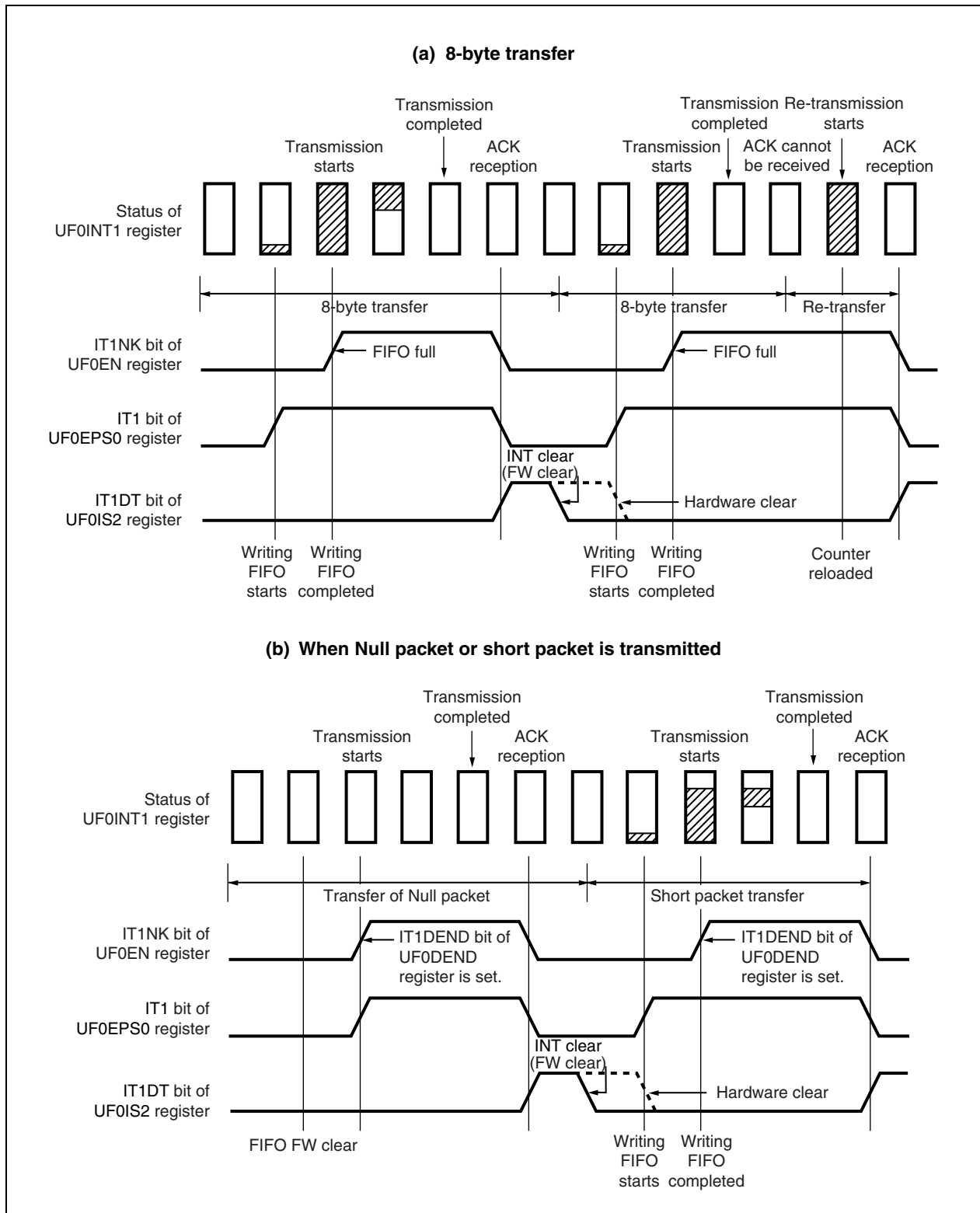
The hardware transmits data to the USB bus in synchronization with the IN token for Endpoint7 only when the IT1NK bit of the UF0EN register is set to 1 (when NAK is not transmitted). When the data is transmitted and the host correctly receives it, the IT1NK bit of the UF0EN register is automatically cleared to 0 by hardware. A short packet is transmitted when data is written to the UF0INT1 register and the IT1DEND bit of the UF0DEND register is set to 1 (IT1 bit of the UF0EPS0 register = 1 (data exists)). A Null packet is transmitted when the UF0INT1 register is cleared and the IT1DEND bit of the UF0DEND register is set to 1 (IT1 bit of the UF0EPS0 register = 1 (data exists)).

	7	6	5	4	3	2	1	0	Address	After reset
UF0INT1	IT17	IT16	IT15	IT14	IT13	IT12	IT11	IT10	00200114H	Undefined

Bit position	Bit name	Function
7 to 0	IT17 to IT10	These bits store data for Endpoint7.

The operation of the UF0INT1 register is illustrated below.

Figure 20-11. Operation of UF0INT1 Register



20.6.5 EPC request data registers

(1) UF0 device status register L (UF0DSTL)

This register stores the value that is to be returned in response to the GET_STATUS Device request.

This register can be read or written in 8-bit units.

The hardware automatically transmits the contents of this register to the host when it has received the GET_STATUS Device request.

Caution To rewrite this register, set the EP0NKA bit to 1 before reading the register contents, and rewrite the register contents after confirming that the bit has been set, in order to prevent conflict between a read access and a write access.

	7	6	5	4	3	2	1	0	Address	After reset
UF0DSTL	0	0	0	0	0	0	RMWK	SFPW	00200144H	00H

Bit position	Bit name	Function
1	RMWK	<p>This bit specifies whether the remote wakeup function of the device is used.</p> <p>1: Enabled 0: Disabled</p> <p>If the device supports a remote wakeup function, this bit is set to 1 by hardware when the SET_FEATURE Device request has been received, and is cleared to 0 by hardware when the CLEAR_FEATURE Device request has been received. If the device does not support a remote wakeup function, make sure that the SET_FEATURE Device request is not issued from the host.</p>
0	SFPW	<p>This bit indicates whether the device is self-powered or bus-powered.</p> <p>1: Self-powered 0: Bus-powered</p>

(2) UF0 EP0 status register L (UF0E0SL)

This register stores the value that is to be returned in response to the GET_STATUS Endpoint0 request.

This register can be read or written in 8-bit units. Note, however, that data can be written to this register only when the EP0NKA bit is set to 1.

If an error occurs in USBF, the E0HALT bit is set to 1 by FW. A write access to this register is ignored while a USB-side access to Endpoint0 is being received.

When the E0HALT bit is set to 1 by FW, it is not reflected until the next SETUP token is received if the control transfer immediately before is for the SET_FEATURE Endpoint0, CLEAR_FEATURE Endpoint0, GET_STATUS Endpoint0 request, or an FW-processed request.

The hardware automatically transmits the contents of this register to the host when it has received the GET_STATUS Endpoint0 request. If Endpoint0 has stalled, the UF0E0W and UF0E0R registers are cleared, and the EP0NKW and EP0NKR bits of the UF0E0N register are cleared to 0.

Caution To rewrite this register, set the EP0NKA bit to 1 before reading the register contents, and rewrite the register contents after confirming that the bit has been set, in order to prevent conflict between a read access and a write access.

	7	6	5	4	3	2	1	0	Address	After reset
UF0E0SL	0	0	0	0	0	0	0	E0HALT	0020014CH	00H

Bit position	Bit name	Function
0	E0HALT	This bit indicates the status of Endpoint0. 1: Stalled 0: Not stalled This bit is set to 1 by hardware when the SET_FEATURE Endpoint0 request has been received, and cleared to 0 by hardware when the CLEAR_FEATURE Endpoint0 request has been received. DATA PID is initialized to DATA0.

(3) UF0 EP1 status register L (UF0E1SL)

This register stores the value that is to be returned in response to the GET_STATUS Endpoint1 request.

This register can be read or written in 8-bit units. Note, however, that data can be written to this register only when the EPONKA bit is set to 1.

If an error occurs in Endpoint1, the E1HALT bit is set to 1. A write access to this register is ignored while a USB-side access to Endpoint1 is being received.

The hardware automatically transmits the contents of this register to the host when it has received the GET_STATUS Endpoint1 request. If Endpoint1 has stalled, the UF0BI1 register is cleared and the BKI1NK bit is cleared to 0.

Because writing this register is always masked when transfer to Endpoint1, rather than control transfer, is executed, be sure to check this register to see if data has been correctly written to it.

Caution To rewrite this register, set the EPONKA bit to 1 before reading the register contents, and rewrite the register contents after confirming that the bit has been set, in order to prevent conflict between a read access and a write access.

	7	6	5	4	3	2	1	0	Address	After reset
UF0E1SL	0	0	0	0	0	0	0	E1HALT	00200150H	00H

Bit position	Bit name	Function
0	E1HALT	<p>This bit indicates the status of Endpoint1.</p> <p>1: Stalled 0: Not stalled</p> <p>This bit is set to 1 by hardware when the SET_FEATURE Endpoint1 request has been received. It is cleared to 0 by hardware when the CLEAR_FEATURE Endpoint1 request, SET_CONFIGURATION request, or the SET_INTERFACE request for the Interface to which Endpoint1 is linked has correctly been received. DATA PID is initialized to DATA0.</p>

(4) UF0 EP2 status register L (UF0E2SL)

This register stores the value that is to be returned in response to the GET_STATUS Endpoint2 request.

This register can be read or written in 8-bit units. Note, however, that data can be written to this register only when the EPONKA bit is set to 1.

If an error occurs in Endpoint2, the E2HALT bit is set to 1. A write access to this register is ignored while a USB-side access to Endpoint2 is being received.

The hardware automatically transmits the contents of this register to the host when it has received the GET_STATUS Endpoint2 request. If Endpoint2 has stalled, the UF0BO1 register is cleared and the BKO1NK bit is cleared to 0.

Because writing this register is always masked when transfer to Endpoint2, rather than control transfer, is executed, be sure to check this register to see if data has been correctly written to it.

Caution To rewrite this register, set the EPONKA bit to 1 before reading the register contents, and rewrite the register contents after confirming that the bit has been set, in order to prevent conflict between a read access and a write access.

	7	6	5	4	3	2	1	0	Address	After reset
UF0E2SL	0	0	0	0	0	0	0	E2HALT	00200154H	00H

Bit position	Bit name	Function
0	E2HALT	This bit indicates the status of Endpoint2. 1: Stalled 0: Not stalled This bit is set to 1 by hardware when the SET_FEATURE Endpoint2 request has been received. It is cleared to 0 by hardware when the CLEAR_FEATURE Endpoint2 request, SET_CONFIGURATION request, or the SET_INTERFACE request for the Interface to which Endpoint2 is linked has correctly been received. DATA PID is initialized to DATA0.

(5) UF0 EP3 status register L (UF0E3SL)

This register stores the value that is to be returned in response to the GET_STATUS Endpoint3 request.

This register can be read or written in 8-bit units. Note, however, that data can be written to this register only when the EPONKA bit is set to 1.

If an error occurs in Endpoint3, the E3HALT bit is set to 1. A write access to this register is ignored while a USB-side access to Endpoint3 is being received.

The hardware automatically transmits the contents of this register to the host when it has received the GET_STATUS Endpoint3 request. If Endpoint3 has stalled, the UF0BI2 register is cleared and the BKI2NK bit is cleared to 0.

Because writing this register is always masked when transfer to Endpoint3, rather than control transfer, is executed, be sure to check this register to see if data has been correctly written to it.

Caution To rewrite this register, set the EPONKA bit to 1 before reading the register contents, and rewrite the register contents after confirming that the bit has been set, in order to prevent conflict between a read access and a write access.

	7	6	5	4	3	2	1	0	Address	After reset
UF0E3SL	0	0	0	0	0	0	0	E3HALT	00200158H	00H

Bit position	Bit name	Function
0	E3HALT	This bit indicates the status of Endpoint3. 1: Stalled 0: Not stalled This bit is set to 1 by hardware when the SET_FEATURE Endpoint3 request has been received. It is cleared to 0 by hardware when the CLEAR_FEATURE Endpoint3 request, SET_CONFIGURATION request, or the SET_INTERFACE request for the Interface to which Endpoint3 is linked has correctly been received. DATA PID is initialized to DATA0.

(6) UF0 EP4 status register L (UF0E4SL)

This register stores the value that is to be returned in response to the GET_STATUS Endpoint4 request.

This register can be read or written in 8-bit units. Note, however, that data can be written to this register only when the EPONKA bit is set to 1.

If an error occurs in Endpoint4, the E4HALT bit is set to 1. A write access to this register is ignored while a USB-side access to Endpoint4 is being received.

The hardware automatically transmits the contents of this register to the host when it has received the GET_STATUS Endpoint4 request. If Endpoint4 has stalled, the UF0BO2 register is cleared and the BKO2NK bit is cleared to 0.

Because writing this register is always masked when transfer to Endpoint4, rather than control transfer, is executed, be sure to check this register to see if data has been correctly written to it.

Caution To rewrite this register, set the EPONKA bit to 1 before reading the register contents, and rewrite the register contents after confirming that the bit has been set, in order to prevent conflict between a read access and a write access.

	7	6	5	4	3	2	1	0	Address	After reset
UF0E4SL	0	0	0	0	0	0	0	E4HALT	0020015CH	00H

Bit position	Bit name	Function
0	E4HALT	This bit indicates the status of Endpoint4. 1: Stalled 0: Not stalled This bit is set to 1 by hardware when the SET_FEATURE Endpoint4 request has been received. It is cleared to 0 by hardware when the CLEAR_FEATURE Endpoint4 request, SET_CONFIGURATION request, or the SET_INTERFACE request for the Interface to which Endpoint4 is linked has correctly been received. DATA PID is initialized to DATA0.

(7) UF0 EP7 status register L (UF0E7SL)

This register stores the value that is to be returned in response to the GET_STATUS Endpoint7 request.

This register can be read or written in 8-bit units. Note, however, that data can be written to this register only when the EPONKA bit is set to 1.

If an error occurs in Endpoint7, the E7HALT bit is set to 1. A write access to this register is ignored while a USB-side access to Endpoint7 is being received.

The hardware automatically transmits the contents of this register to the host when it has received the GET_STATUS Endpoint7 request. If Endpoint7 has stalled, the UF0INT1 register is cleared and the IT1NK bit is cleared to 0.

Because writing this register is always masked when transfer to Endpoint7, rather than control transfer, is executed, be sure to check this register to see if data has been correctly written to it.

Caution To rewrite this register, set the EPONKA bit to 1 before reading the register contents, and rewrite the register contents after confirming that the bit has been set, in order to prevent conflict between a read access and a write access.

	7	6	5	4	3	2	1	0	Address	After reset
UF0E7SL	0	0	0	0	0	0	0	E7HALT	00200168H	00H

Bit position	Bit name	Function
0	E7HALT	This bit indicates the status of Endpoint7. 1: Stalled 0: Not stalled This bit is set to 1 by hardware when the SET_FEATURE Endpoint7 request has been received. It is cleared to 0 by hardware when the CLEAR_FEATURE Endpoint7 request, SET_CONFIGURATION request, or the SET_INTERFACE request for the Interface to which Endpoint7 is linked has correctly been received. DATA PID is initialized to DATA0.

(8) UF0 address register (UF0ADRS)

This register stores the device address.

This register is read-only, in 8-bit units.

The device address sent by the SET_ADDRESS request is analyzed and the resultant value is automatically written to this register. If the SET_ADDRESS request is processed by FW, the value of this register is reflected as the device address when the SUCCESS signal is received in the status stage.

Caution Do not execute a write access to this register. If written, the operation is not guaranteed.

	7	6	5	4	3	2	1	0	Address	After reset
UF0ADRS	0	ADRS6	ADRS5	ADRS4	ADRS3	ADRS2	ADRS1	ADRS0	00200180H	00H
	Bit position	Bit name	Function							
	6 to 0	ADRS6 to ADRS0	These bits hold the device address of SIE.							

(9) UF0 configuration register (UF0CNF)

This register stores the value that is to be returned in response to the GET_CONFIGURATION request.

This register is read-only, in 8-bit units.

When the SET_CONFIGURATION request is received, its wValue is automatically written to this register.

When a change of the value of this register from 00H to other than 00H is detected, the CONF bit of the UF0MODS register is set to 1. If the SET_CONFIGURATION request is processed by FW, the status of this register is immediately reflected on the UF0MODS register as soon as data has been written to this register (CONF bit = 1 before completion of the status stage).

Caution Do not execute a write access to this register. If written, the operation is not guaranteed.

	7	6	5	4	3	2	1	0	Address	After reset
UF0CNF	0	0	0	0	0	0	CONF1	CONF0	00200182H	00H

Bit position	Bit name	Function
1, 0	CONF1, CONF0	These bits hold the data to be returned in response to the GET_CONFIGURATION request.

(10) UF0 interface 0 register (UF0IF0)

This register stores the value that is to be returned in response to the GET_INTERFACE wIndex = 0 request.

This register is read-only, in 8-bit units.

When the SET_INTERFACE request is received, its wValue is automatically written to this register.

If the SET_INTERFACE request is processed by FW, wIndex and wValue are decoded, and the setting of endpoint is automatically changed. At this time, the status bit of the target endpoint and DPID are automatically cleared to 0, depending on the setting. The FIFO is not cleared automatically.

Caution Do not execute a write access to this register. If written, the operation is not guaranteed.

	7	6	5	4	3	2	1	0	Address	After reset
UF0IF0	0	0	0	0	0	IF02	IF01	IF00	00200184H	00H

Bit position	Bit name	Function
2 to 0	IF02 to IF00	These bits hold the data to be returned in response to GET_INTERFACE wIndex = 0 request.

(11) UF0 interface 1 to 4 registers (UF0IF1 to UF0IF4)

These registers store the value that is to be returned in response to the GET_INTERFACE wIndex = n request (n = 1 to 4).

These registers are read-only, in 8-bit units.

When the SET_INTERFACE request is received, its wValue is automatically written to these registers.

These registers are invalidated according to the setting of the UF0AIFN and UF0AAS registers.

If the SET_INTERFACE request is processed by FW, wIndex and wValue are decoded, and the setting of endpoint is automatically changed. At this time, the status bit of the target endpoint and DPID are automatically cleared to 0, depending on the setting. The FIFO is not cleared automatically.

Caution Do not execute a write access to this register. If written, the operation is not guaranteed.

	7	6	5	4	3	2	1	0	Address	After reset
UF0IF1	0	0	0	0	0	IF12	IF11	IF10	00200186H	00H
UF0IF2	0	0	0	0	0	IF22	IF21	IF20	00200188H	00H
UF0IF3	0	0	0	0	0	IF32	IF31	IF30	0020018AH	00H
UF0IF4	0	0	0	0	0	IF42	IF41	IF40	0020018CH	00H

Bit position	Bit name	Function
2 to 0	IFn2 to IFn0	These bits hold the data to be returned in response to GET_INTERFACE wIndex = n request.

Remark n = 1 to 4

(12) UF0 descriptor length register (UF0DSCL)

This register stores the length of the value that is to be returned in response to the GET_DESCRIPTOR Configuration request. The value of this register is the number of bytes of all the descriptors set by the UF0CIEn register minus 1 (n = 0 to 255). The total descriptor length that is to be returned in response to the GET_DESCRIPTOR Configuration request is determined according to the value of this register.

This register can be read or written in 8-bit units. However, data can be written to this register only when the EP0NKA bit is set to 1.

Processing of wLength is automatically controlled. If this register is set to 00H, it means that the descriptor to be returned is 1 byte long. If the register is set to FFH, a descriptor length of 256 bytes is returned. When a descriptor exceeding 256 bytes in length is used, set the CDCGDST bit of the UF0MODC register to 1 and process the GET_DESCRIPTOR request by FW (at this time, the CDCGD bit of the UF0MODS register is also set to 1).

Caution To rewrite this register, set the EP0NKA bit to 1 before reading the register contents, and rewrite the register contents after confirming that the bit has been set, in order to prevent conflict between a read access and a write access.

	7	6	5	4	3	2	1	0		
UF0DSCL	DPL7	DPL6	DPL5	DPL4	DPL3	DPL2	DPL1	DPL0	Address	After reset
									002001A0H	00H

Bit position	Bit name	Function
7 to 0	DPL7 to DPL0	These bits set the value of the number of bytes of all the descriptors to be returned in response to the GET_DESCRIPTOR Configuration request minus 1.

(13) UF0 device descriptor registers 0 to 17 (UF0DD0 to UF0DD17)

These registers store the value to be returned in response to the GET_DESCRIPTOR Device request.

These registers can be read or written in 8-bit units. However, data can be written to these registers only when the EP0NKA bit is set to 1.

- Cautions 1.** To rewrite these registers, set the EP0NKA bit to 1 before reading the register contents, and rewrite the register contents after confirming that the bit has been set, in order to prevent conflict between a read access and a write access.
- 2.** Use the value defined by USB Specification Ver. 2.0 and the latest Class Specification as the set value.

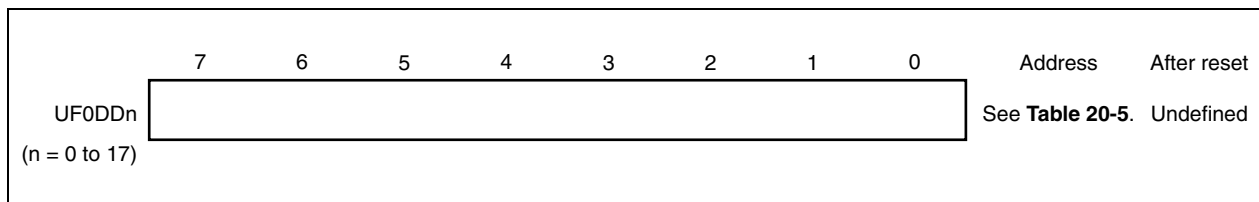


Table 20-5. Mapping and Data of UF0 Device Descriptor Registers

Symbol	Address	Field Name	Contents
UF0DD0	002001A2H	bLength	Size of this descriptor
UF0DD1	002001A4H	bDescriptorType	Device descriptor type
UF0DD2	002001A6H	bcdUSB	Value below decimal point of Rev. number of USB specification
UF0DD3	002001A8H		Value above decimal point of Rev. number of USB specification
UF0DD4	002001AAH	bDeviceClass	Class code
UF0DD5	002001ACH	bDeviceSubClass	Subclass code
UF0DD6	002001AEH	bDeviceProtocol	Protocol code
UF0DD7	002001B0H	bMaxPacketSize0	Maximum packet size of Endpoint0
UF0DD8	002001B2H	idVendor	Lower value of vendor ID
UF0DD9	002001B4H		Higher value of vendor ID
UF0DD10	002001B6H	idProduct	Lower value of product ID
UF0DD11	002001B8H		Higher value of product ID
UF0DD12	002001BAH	bcdDevice	Lower value of device release number
UF0DD13	002001BCH		Higher value of device release number
UF0DD14	002001BEH	iManufacturer	Index of string descriptor describing manufacturer
UF0DD15	002001C0H	iProduct	Index of string descriptor describing product
UF0DD16	002001C2H	iSerialNumber	Index of string descriptor describing device serial number
UF0DD17	002001C4H	BNumConfigurations	Number of settable configurations

(14) UF0 configuration/interface/endpoint descriptor registers 0 to 255 (UF0CIE0 to UF0CIE255)

These registers store the value to be returned in response to the GET_DESCRIPTOR Configuration request. These registers can be read or written in 8-bit units. However, data can be written to these registers only when the EP0NKA bit is set to 1.

Descriptor information of up to 256 bytes can be stored in these registers. Store each descriptor in the order of Configuration, Interface, and Endpoint (see **Table 20-6**). If there are two or more Interfaces, repeatedly store the data following the Interface descriptor.

Table 20-6. Mapping of UF0CIEn Register

Address	Descriptor Stored
002001C6H	Configuration descriptor (9 bytes)
002001D8H	Interface descriptor (9 bytes)
002001EAH	Endpoint1 descriptor (7 bytes)
002001F8H	Endpoint2 descriptor (7 bytes)
00200206H	Endpoint3 descriptor (7 bytes)
:	:
002002xxH	Interface descriptor (9 bytes)
002002xxH+9	Endpoint1 descriptor (7 bytes)
002002xxH+16	Endpoint2 descriptor (7 bytes)
002002xxH+23	Endpoint3 descriptor (7 bytes)
:	:

The range of the valid data that can be set to these registers varies according to the setting of the UF0DSCLE register. In addition to the descriptors listed in Table 20-7, descriptors peculiar to classes and vendors can also be stored.

If all the values are fixed, they can be stored in ROM.

- Cautions 1. To rewrite these registers, set the EP0NKA bit to 1 before reading the register contents, and rewrite the register contents after confirming that the bit has been set, in order to prevent conflict between a read access and a write access.**
- 2. Use the value defined by USB Specification Ver. 2.0 and the latest Class Specification as the set value.**

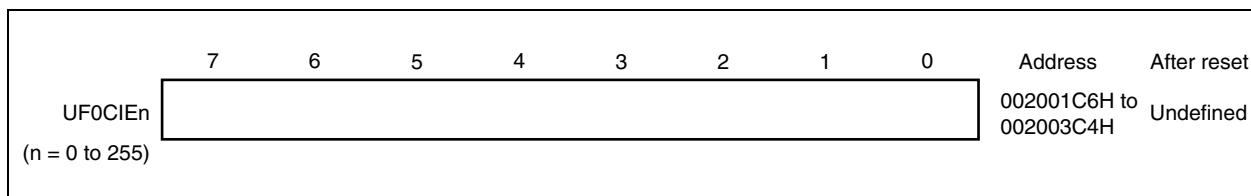


Table 20-7. Data of UF0CIEn Register**(a) Configuration descriptor (9 bytes)**

Offset	Field Name	Contents
0	bLength	Size of this descriptor
1	bDescriptorType	Descriptor type
2	wTotalLength	Lower value of the total number of bytes of Configuration, all Interface, and all Endpoint descriptors
3		Higher value of the total number of bytes of Configuration, all Interface, and all Endpoint descriptors
4	bNumInterface	Number of Interfaces
5	bConfigurationValue	Value to select this Configuration
6	iConfiguration	Index of string descriptor describing this Configuration
7	bmAttributes	Features of this Configuration (self-powered, without remote wakeup)
8	MaxPower	Maximum power consumption of this Configuration (unit: mA) ^{Note}

Note Shown in 2 mA units. (example: 50 = 100 mA)

(b) Interface descriptor (9 bytes)

Offset	Field Name	Contents
0	bLength	Size of this descriptor
1	bDescriptorType	Descriptor type
2	bInterfaceNumber	Value of this Interface
3	bAlternateSetting	Value to select alternative setting of Interface
4	bNumEndpoints	Number of usable Endpoints
5	bInterfaceClass	Class code
6	bInterfaceSubClass	Subclass code
7	bInterfaceProtocol	Protocol code
8	Interface	Index of string descriptor describing this Interface

(c) Endpoint descriptor (7 bytes)

Offset	Field Name	Contents
0	bLength	Size of this descriptor
1	bDescriptorType	Descriptor type
2	bEndpointAddress	Address/transfer direction of this Endpoint
3	bmAttributes	Transfer type
4	wMaxPaketSize	Lower value of maximum number of transfer data
5		Higher value of maximum number of transfer data
6	bInterval	Transfer interval

20.6.6 Bridge register

(1) Bridge interrupt control register (BRGINTT)

The BRGINTT register controls the DMA transfer status of the interrupt generate status, and each end point (EP1 to EP4) from EPC to bridge circuit.

The BRGINTT register can be read or written in 16-bit units.

After reset: 0000H R/W Address: 00200400H

	15	14	13	12	11	10	9	8
BRGINTT	0	0	0	0	EP4INT	EP3INT	EP2INT	EP1INT
	7	6	5	4	3	2	1	0
	0	0	0	0	0	EPCINT2B	EPCINT1B	EPCINT0B

Bit position	Bit name	Function
11	EP4INT	In EP4, when the DMA transfer is normal terminate, or the error finished in the DMA transferring, this bit is setting. Clearing to "0" by writing "1". 0: DMA transfer not completion 1: DMA transfer completion
10	EP3INT	In EP3, when the DMA transfer is normal terminate, or the error finished in the DMA transferring, this bit is setting. Clearing to "0" by writing "1". 0: DMA transfer not completion 1: DMA transfer completion
9	EP2INT	In EP2, when the DMA transfer is normal terminate, or the error finished in the DMA transferring, this bit is setting. Clearing to "0" by writing "1". 0: DMA transfer not completion 1: DMA transfer completion
8	EP1INT	In EP1, when the DMA transfer is normal terminate, or the error finished in the DMA transferring, this bit is setting. Clearing to "0" by writing "1". 0: DMA transfer not completion 1: DMA transfer completion
2	EPCINT2B	Showing the status of the interrupt signal "EPC_INT2B" from EPC. Clear controlling from the request of EPC register 0: Interrupt not issued 1: Interrupt issued
1	EPCINT1B	Showing the status of the interrupt signal "EPC_INT1B" from EPC. Clear controlling from the request of EPC register 0: Interrupt not issued 1: Interrupt issued
0	EPCINT0B	Showing the status of the interrupt signal "EPC_INT0B" from EPC. Clear controlling from the request of EPC register 0: Interrupt not issued 1: Interrupt issued

(2) Bridge interrupt enable register (BRGINTE)

The BRGINTE register controls whether the interrupt generated in the bridge circuit is enabled or disabled.

The BRGINTE register can be read or written in 16-bit units.

After reset: 0000H R/W Address: 00200402H

	15	14	13	12	11	10	9	8
BRGINTE	0	0	0	0	EP4INTN	EP3INTN	EP2INTN	EP1INTN
	7	6	5	4	3	2	1	0
	0	0	0	0	0	EPC INT2BEN	EPC INT1BEN	EPC INT0BEN

Bit position	Bit name	Function
11	EP4INTN	Setting the interrupt occur enable or disable when EP4INT bit is setting. 0: Interrupt disabled 1: Interrupt enabled
10	EP3INTN	Setting the interrupt occur enable or disable when EP3INT bit is setting. 0: Interrupt disabled 1: Interrupt enabled
9	EP2INTN	Setting the interrupt occur enable or disable when EP2INT bit is setting. 0: Interrupt disabled 1: Interrupt enabled
8	EP1INTN	Setting the interrupt occur enable or disable when EP1INT bit is setting. 0: Interrupt disabled 1: Interrupt enabled
2	EPCINT2BEN	Setting the interrupt occur enable or disable when EPCINT2BEN bit is setting. 0: Interrupt disabled 1: Interrupt enabled
1	EPCINT1BEN	Setting the interrupt occur enable or disable when EPCINT1BEN bit is setting. 0: Interrupt disabled 1: Interrupt enabled
0	EPCINT0BEN	Setting the interrupt occur enable or disable when EPCINT0BEN bit is setting. 0: Interrupt disabled 1: Interrupt enabled

(3) EPC macro control register (EPCCLT)

The EPCCLT register controls the reset generator to the EPC macro.

The EPCCLT register can be read or written in 16-bit units.

After reset: 0000H R/W Address: 00200404H								
	15	14	13	12	11	10	9	8
EPCCLT	0	0	0	0	0	0	0	0
	7	6	5	4	3	2	1	0
	0	0	0	0	0	0	0	EPCRST
Bit position	Bit name	Function						
0	EPCRST	Setting the reset occurs to EPC. 0: Reset released 1: Reset issued						

(4) CPU I/F bus control register (CPUBCTL)

The CPUBCTL register controls the interface between bridge circuit and CPU.

The CPUBCTL register can be read or written in 16-bit units.

After reset: Undefined R/W Address: 00200408H

	15	14	13	12	11	10	9	8
CPUBCTL	0	0	0	0	0	0	0	0
	7	6	5	4	3	2	1	0
	0	0	0	0	0	BULKWAIT	DATAWAIT	NOWAIT

Bit position	Bit name	Function
2	BULKWAIT	Forcibly inserting the 1 wait (bulk wait) when the bulk register is accessed. 0: No forcibly insert the bulk wait ^{Note} (default value) 1: Forcibly insert the bulk wait Note The setting is invalid in write accessing, the bulk wait is forcibly inserted.
1	DATAWAIT	Forcibly inserting the 1 wait (data wait) after the CPU bus cycle. 0: No forcibly insert the data wait (default value) 1: Forcibly insert the data wait
0	NOWAIT	Setting enables/disable the no wait operation of CPU bus cycle. 0: No wait disables ^{Note} (default value) 1: No wait enables Note 1 wait or more is inserted.

20.6.7 DMA register

(1) EPn DMA control register 1 (UF0E1DC1 to UF0E4DC1)

The UF0E1DC1 to UF0E4DC1 register controls the DMA transfer of end point n (EPn). (n = 1 to 4)

The UF0E1DC1 to UF0E4DC1 register can be read or written in 16-bit units.

(1/2)

After reset: 0000H R/W Address: 00200500H								
UF0E1DC1	15	14	13	12	11	10	9	8
	0	0	0	0	0	0	0	0
	7	6	5	4	3	2	1	0
	0	0	EP1BULK2	EP1BULK1	EP1BULK0	EP1STOP	EP1REQ	EP1DMAEN
After reset: 0000H R/W Address: 00200504H								
UF0E2DC1	15	14	13	12	11	10	9	8
	0	0	0	0	0	0	0	0
	7	6	5	4	3	2	1	0
	0	0	EP2BULK2	EP2BULK1	EP2BULK0	EP2STOP	EP2REQ	EP2DMAEN
After reset: 0000H R/W Address: 00200508H								
UF0E3DC1	15	14	13	12	11	10	9	8
	0	0	0	0	0	0	0	0
	7	6	5	4	3	2	1	0
	0	0	EP3BULK2	EP3BULK1	EP3BULK0	EP3STOP	EP3REQ	EP3DMAEN
After reset: 0000H R/W Address: 0020050CH								
UF0E4DC1	15	14	13	12	11	10	9	8
	0	0	0	0	0	0	0	0
	7	6	5	4	3	2	1	0
	0	0	EP4BULK2	EP4BULK1	EP4BULK0	EP4STOP	EP4REQ	EP4DMAEN

(2/2)

Bit position	Bit name	Function																								
5 to 3	EPnBULK2, EPnBULK1, EPnBULK0	<p>Shown the status the state machine "BIN_STATE" for bulk transfer of the internal bridge</p> <table border="1"> <thead> <tr> <th>EPnBULK2</th> <th>EPnBULK1</th> <th>EPnBULK0</th> <th>"BIN_STATE" status</th> </tr> </thead> <tbody> <tr> <td>0</td> <td>0</td> <td>0</td> <td>BIN_IDLE</td> </tr> <tr> <td>0</td> <td>0</td> <td>1</td> <td>BIN_CPU</td> </tr> <tr> <td>0</td> <td>1</td> <td>0</td> <td>BIN_EPC</td> </tr> <tr> <td>0</td> <td>1</td> <td>1</td> <td>BIN_CMP</td> </tr> <tr> <td>1</td> <td>0</td> <td>0</td> <td>BIN_END</td> </tr> </tbody> </table>	EPnBULK2	EPnBULK1	EPnBULK0	"BIN_STATE" status	0	0	0	BIN_IDLE	0	0	1	BIN_CPU	0	1	0	BIN_EPC	0	1	1	BIN_CMP	1	0	0	BIN_END
EPnBULK2	EPnBULK1	EPnBULK0	"BIN_STATE" status																							
0	0	0	BIN_IDLE																							
0	0	1	BIN_CPU																							
0	1	0	BIN_EPC																							
0	1	1	BIN_CMP																							
1	0	0	BIN_END																							
2	EPnSTOP	<p>Showing the status (end factor of DMA transfer) of DMA transfer end from EPC</p> <p>0: End of DMA transfer by EPn_TCNT value "0"</p> <p>1: End of DMA transfer by negate of "EPC_DMARQ_EPnB"</p> <p>Automatically clear (0) by setting next EP1_DMAEN to "1".</p>																								
1	EPnREQ	<p>Showing the status of "EPC_DMARQ_EPnB" signal from EPC</p> <p>0: No DMA request signal</p> <p>1: DMA request signal</p>																								
0	EPnDMAEN	<p>Setting the control of DMA request from EPC</p> <p>0: Masks DMA request</p> <p>1: Enables DMA request</p> <p>Automatically clear (0) by complete number of packet transfer setting in EPn_TCNT, or complete the DMA transfer by the negate of DMARQ_EPnB.</p> <p>Caution The setting value is not guaranteed in forcibly end.</p>																								

Remark n = 1 to 4

(2) EPn DMA control register 2 (UF0E1DC2 to UF0E4DC2)

The UF0E1DC2 to UF0E4DC2 register controls the DMA transfer of end point n (EPn). (n = 1 to 4)

The UF0E1DC2 to UF0E4DC2 register can be read or written in 16-bit units.

(1/2)

After reset: 0000H R/W Address: 00200502H								
	15	14	13	12	11	10	9	8
UF0E1DC2	EP1 TCNT15	EP1 TCNT14	EP1 TCNT13	EP1 TCNT12	EP1 TCNT11	EP1 TCNT10	EP1 TCNT9	EP1 TCNT8
	7	6	5	4	3	2	1	0
	EP1 TCNT7	EP1 TCNT6	EP1 TCNT5	EP1 TCNT4	EP1 TCNT3	EP1 TCNT2	EP1 TCNT1	EP1 TCNT0
After reset: 0000H R/W Address: 00200506H								
	15	14	13	12	11	10	9	8
UF0E2DC2	EP2 TCNT15	EP2 TCNT14	EP2 TCNT13	EP2 TCNT12	EP2 TCNT11	EP2 TCNT10	EP2 TCNT9	EP2 TCNT8
	7	6	5	4	3	2	1	0
	EP2 TCNT7	EP2 TCNT6	EP2 TCNT5	EP2 TCNT4	EP2 TCNT3	EP2 TCNT2	EP2 TCNT1	EP2 TCNT0
After reset: 0000H R/W Address: 0020050AH								
	15	14	13	12	11	10	9	8
UF0E3DC2	EP3 TCNT15	EP3 TCNT14	EP3 TCNT13	EP3 TCNT12	EP3 TCNT11	EP3 TCNT10	EP3 TCNT9	EP3 TCNT8
	7	6	5	4	3	2	1	0
	EP3 TCNT7	EP3 TCNT6	EP3 TCNT5	EP3 TCNT4	EP3 TCNT3	EP3 TCNT2	EP3 TCNT1	EP3 TCNT0
After reset: 0000H R/W Address: 0020050EH								
	15	14	13	12	11	10	9	8
UF0E4DC2	EP4 TCNT15	EP4 TCNT14	EP4 TCNT13	EP4 TCNT12	EP4 TCNT11	EP4 TCNT10	EP4 TCNT9	EP4 TCNT8
	7	6	5	4	3	2	1	0
	EP4 TCNT7	EP4 TCNT6	EP4 TCNT5	EP4 TCNT4	EP4 TCNT3	EP4 TCNT2	EP4 TCNT1	EP4 TCNT0

(2/2)

Bit position	Bit name	Function
15 to 0	EPnTCNT15 to EPnTCNT0	<p>Setting the number of byte to DMA transfer in EPn. End the DMA transfer after the value of EPn_TCNT is "0" to decrement each transfer.</p> <p>Cautions</p> <ol style="list-style-type: none"> 1. Set this register when EPn_DMAEN = 0. 2. Setting this register to "0" is prohibited. Be sure to set this register +1 value for the value of DMA transfer count register DBC0 to DBC3. 3. The setting value of this register is reflected the counter BIN_TCNT for bulk transfer of the bridge inside. And the value of BIN_TCNT is "0", EPn_TCN is "0", too. 4. Update the value of the counter BIN_TCNT for bulk transfer is stopped when forcibly terminated.

Remark n = 1 to 4

20.6.8 Bulk-in register

(1) UF0 EP1 bulk-in transfer data register (UF0EP1BI)

The UF0EP1BI register writes the bulk-in transfer data of EP1.

The UF0EP1BI register can be read or written in 8-bit or 16-bit units.

After reset: 0000H R/W Address: 00201000H								
	15	14	13	12	11	10	9	8
UF0EP1BI	0	0	0	0	0	0	0	0
	7	6	5	4	3	2	1	0
	EP1BI7	EP1BI6	EP1BI5	EP1BI4	EP1BI3	EP1BI2	EP1BI1	EP1BI0
Bit position	Bit name	Function						
7 to 0	EP1BI7 to EP1BI0	Writing the bulk-out transfer data of EP1. Data outputting to the EPC macro by writing data to this register. If using this register, setting the address (00201000H) in DMA destination address register (DDAn (n = 0 to 3)) of DMAC. In addition, set the RQnUR1E (n = 0 to 3) bit of the UFDRQEN register to 1 to assign a DMA channel.						

(2) UF0 EP3 bulk-in transfer data register (UF0EP3BI)

The UF0EP3BI register writes the bulk-in transfer data of EP1.

The UF0EP3BI register can be read or written in 8-bit or 16-bit units.

After reset: 0000H R/W Address: 00202000H								
	15	14	13	12	11	10	9	8
UF0EP3BI	0	0	0	0	0	0	0	0
	7	6	5	4	3	2	1	0
	EP3BI7	EP3BI6	EP3BI5	EP3BI4	EP3BI3	EP3BI2	EP3BI1	EP3BI0
Bit position	Bit name	Function						
7 to 0	EP3BI7 to EP3BI0	Writing the bulk-out transfer data of EP3. Data outputting to the EPC macro by writing data to this register. If using this register, setting the address (00202000H) in DMA destination address register (DDAn (n = 0 to 3)) of DMAC. In addition, set the RQnUR3E (n = 0 to 3) bit of the UFDRQEN register to 1 to assign a DMA channel.						

20.6.9 Bulk-out register

(1) UF0 EP2 bulk-out transfer data register (UF0EP2BO)

The UF0EP2BO register writes the bulk-out transfer data of EP2.

The UF0EP2BO register can be read or written in 8-bit or 16-bit units.

After reset: 0000H R Address: 00210000H

	15	14	13	12	11	10	9	8
UF0EP2BO	0	0	0	0	0	0	0	0

	7	6	5	4	3	2	1	0
	EP2BO7	EP2BO6	EP2BO5	EP2BO4	EP2BO3	EP2BO2	EP2BO1	EP2BO0

Bit position	Bit name	Function
7 to 0	EP2BO7 to EP2BO0	Reading the bulk-out transfer data of EP2. Reading the input data from the EPC macro from this register. If using this register, setting the address (00210000H) in DMA source address register (DSAn (n = 0 to 3)) of DMAC. In addition, set the RQnUR0E (n = 0 to 3) bit of the UFDRQEN register to 1 to assign a DMA channel.

Caution If either of the following operations is performed, the data stored in this register is read out and the next bulk-out transfer data is stored into this register.

- The UF0EP2BO register is read during program execution.
- The UF0EP2BO register is monitored on the memory window while the debugger is being used.

(2) UF0 EP4 bulk-out transfer data register (UF0EP4BO)

The UF0EP4BO register writes the bulk-out transfer data of EP4.

The UF0EP4BO register can be read or written in 8-bit or 16-bit units.

After reset: 0000H R Address: 00220000H

	15	14	13	12	11	10	9	8
UF0EP4BO	0	0	0	0	0	0	0	0

	7	6	5	4	3	2	1	0
	EP4BO7	EP4BO6	EP4BO5	EP4BO4	EP4BO3	EP4BO2	EP4BO1	EP4BO0

Bit position	Bit name	Function
7 to 0	EP4BO7 to EP4BO0	Reading the bulk-out transfer data of EP4. Reading the input data from the EPC macro from this register. If using this register, setting the address (00220000H) in DMA source address register (DSAn (n = 0 to 3)) of DMAC. In addition, set the RQnUR2E (n = 0 to 3) bit of the UFDRQEN register to 1 to assign a DMA channel.

Caution If either of the following operations is performed, the data stored in this register is read out and the next bulk-out transfer data is stored into this register.

- The UF0EP4BO register is read during program execution.
- The UF0EP4BO register is monitored on the memory window while the debugger is being used.

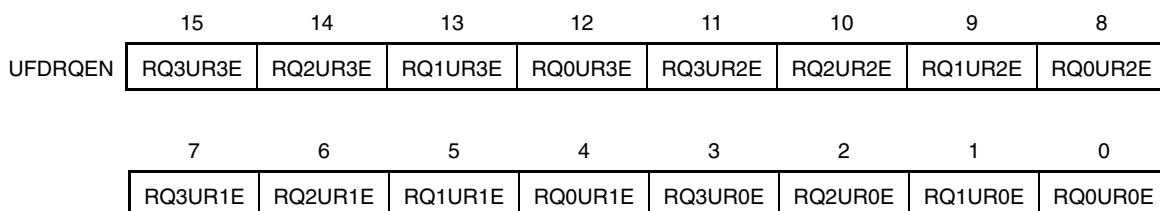
20.6.10 Peripheral control registers

(1) USBF DMA request enable register (UFDRQEN)

The UFDRQEN register specifies the DMA channel to be used and the endpoint to be transferred.
 The UFDRQEN register can be read or written in 8-bit or 16-bit units.

(1/2)

After reset: 0000H R/W Address: 00240000H



Bit position	Bit name	Function																														
15, 11, 7, 3	RQ3UR3E, RQ3UR2E, RQ3UR1E, RQ3UR0E	Specify the endpoint n (EPn) to be transferred by DMA channel 3. (n = 1 to 4) <table border="1" style="margin-left: 20px;"> <thead> <tr> <th>RQ3UR3E</th> <th>RQ3UR2E</th> <th>RQ3UR1E</th> <th>RQ3UR0E</th> <th>EP transferred by DMA3</th> </tr> </thead> <tbody> <tr> <td>1</td> <td>0</td> <td>0</td> <td>0</td> <td>EP4</td> </tr> <tr> <td>0</td> <td>1</td> <td>0</td> <td>0</td> <td>EP3</td> </tr> <tr> <td>0</td> <td>0</td> <td>1</td> <td>0</td> <td>EP2</td> </tr> <tr> <td>0</td> <td>0</td> <td>0</td> <td>1</td> <td>EP1</td> </tr> <tr> <td colspan="4">Other than above</td> <td>DMA3 does not transfer EPn (DMA3 not used)</td> </tr> </tbody> </table>	RQ3UR3E	RQ3UR2E	RQ3UR1E	RQ3UR0E	EP transferred by DMA3	1	0	0	0	EP4	0	1	0	0	EP3	0	0	1	0	EP2	0	0	0	1	EP1	Other than above				DMA3 does not transfer EPn (DMA3 not used)
RQ3UR3E	RQ3UR2E	RQ3UR1E	RQ3UR0E	EP transferred by DMA3																												
1	0	0	0	EP4																												
0	1	0	0	EP3																												
0	0	1	0	EP2																												
0	0	0	1	EP1																												
Other than above				DMA3 does not transfer EPn (DMA3 not used)																												
14, 10, 6, 2	RQ2UR3E, RQ2UR2E, RQ2UR1E, RQ2UR0E	Specify the endpoint n (EPn) to be transferred by DMA channel 2. (n = 1 to 4) <table border="1" style="margin-left: 20px;"> <thead> <tr> <th>RQ2UR3E</th> <th>RQ2UR2E</th> <th>RQ2UR1E</th> <th>RQ2UR0E</th> <th>EP transferred by DMA2</th> </tr> </thead> <tbody> <tr> <td>1</td> <td>0</td> <td>0</td> <td>0</td> <td>EP4</td> </tr> <tr> <td>0</td> <td>1</td> <td>0</td> <td>0</td> <td>EP3</td> </tr> <tr> <td>0</td> <td>0</td> <td>1</td> <td>0</td> <td>EP2</td> </tr> <tr> <td>0</td> <td>0</td> <td>0</td> <td>1</td> <td>EP1</td> </tr> <tr> <td colspan="4">Other than above</td> <td>DMA2 does not transfer EPn (DMA2 not used)</td> </tr> </tbody> </table>	RQ2UR3E	RQ2UR2E	RQ2UR1E	RQ2UR0E	EP transferred by DMA2	1	0	0	0	EP4	0	1	0	0	EP3	0	0	1	0	EP2	0	0	0	1	EP1	Other than above				DMA2 does not transfer EPn (DMA2 not used)
RQ2UR3E	RQ2UR2E	RQ2UR1E	RQ2UR0E	EP transferred by DMA2																												
1	0	0	0	EP4																												
0	1	0	0	EP3																												
0	0	1	0	EP2																												
0	0	0	1	EP1																												
Other than above				DMA2 does not transfer EPn (DMA2 not used)																												

(2/2)

Bit position	Bit name	Function																														
13, 9, 5, 1	RQ1UR3E, RQ1UR2E, RQ1UR1E, RQ1UR0E	Specify the endpoint n (EPn) to be transferred by DMA channel 1. (n = 1 to 4) <table border="1"> <thead> <tr> <th>RQ1UR3E</th> <th>RQ1UR2E</th> <th>RQ1UR1E</th> <th>RQ1UR0E</th> <th>EP transferred by DMA1</th> </tr> </thead> <tbody> <tr> <td>1</td> <td>0</td> <td>0</td> <td>0</td> <td>EP4</td> </tr> <tr> <td>0</td> <td>1</td> <td>0</td> <td>0</td> <td>EP3</td> </tr> <tr> <td>0</td> <td>0</td> <td>1</td> <td>0</td> <td>EP2</td> </tr> <tr> <td>0</td> <td>0</td> <td>0</td> <td>1</td> <td>EP1</td> </tr> <tr> <td colspan="4">Other than above</td> <td>DMA1 does not transfer EPn (DMA1 not used)</td> </tr> </tbody> </table>	RQ1UR3E	RQ1UR2E	RQ1UR1E	RQ1UR0E	EP transferred by DMA1	1	0	0	0	EP4	0	1	0	0	EP3	0	0	1	0	EP2	0	0	0	1	EP1	Other than above				DMA1 does not transfer EPn (DMA1 not used)
RQ1UR3E	RQ1UR2E	RQ1UR1E	RQ1UR0E	EP transferred by DMA1																												
1	0	0	0	EP4																												
0	1	0	0	EP3																												
0	0	1	0	EP2																												
0	0	0	1	EP1																												
Other than above				DMA1 does not transfer EPn (DMA1 not used)																												
12, 8, 4, 0	RQ0UR3E, RQ0UR2E, RQ0UR1E, RQ0UR0E	Specify the endpoint n (EPn) to be transferred by DMA channel 0. (n = 1 to 4) <table border="1"> <thead> <tr> <th>RQ0UR3E</th> <th>RQ0UR2E</th> <th>RQ0UR1E</th> <th>RQ0UR0E</th> <th>EP transferred by DMA0</th> </tr> </thead> <tbody> <tr> <td>1</td> <td>0</td> <td>0</td> <td>0</td> <td>EP4</td> </tr> <tr> <td>0</td> <td>1</td> <td>0</td> <td>0</td> <td>EP3</td> </tr> <tr> <td>0</td> <td>0</td> <td>1</td> <td>0</td> <td>EP2</td> </tr> <tr> <td>0</td> <td>0</td> <td>0</td> <td>1</td> <td>EP1</td> </tr> <tr> <td colspan="4">Other than above</td> <td>DMA0 does not transfer EPn (DMA0 not used)</td> </tr> </tbody> </table>	RQ0UR3E	RQ0UR2E	RQ0UR1E	RQ0UR0E	EP transferred by DMA0	1	0	0	0	EP4	0	1	0	0	EP3	0	0	1	0	EP2	0	0	0	1	EP1	Other than above				DMA0 does not transfer EPn (DMA0 not used)
RQ0UR3E	RQ0UR2E	RQ0UR1E	RQ0UR0E	EP transferred by DMA0																												
1	0	0	0	EP4																												
0	1	0	0	EP3																												
0	0	1	0	EP2																												
0	0	0	1	EP1																												
Other than above				DMA0 does not transfer EPn (DMA0 not used)																												

- Cautions**
- Setting the same DMA transfer target to multiple DMA channels, and setting multiple DMA transfer targets to the same DMA channel are prohibited.
 - If using the function of this register, set the DMA trigger factor register (DTFRn (n = 0 to 3)) to disable DMA requests by interrupt (00H).

The following flowcharts illustrate the program execution when the host is disconnected and then reconnected, and the program execution when power is supplied.

Figure 20-12. Flowchart of Program When Host Is Disconnected and Then Reconnected

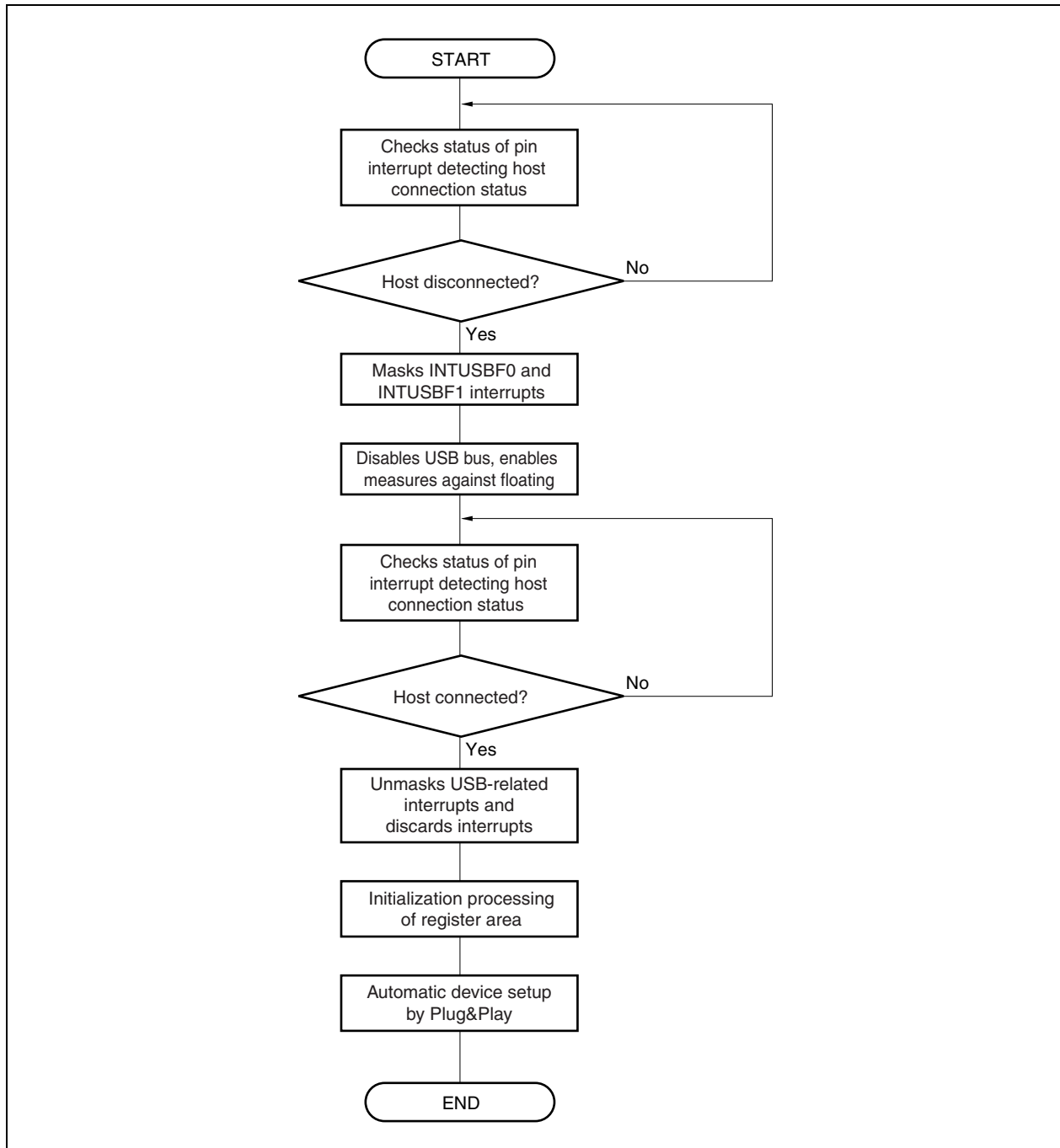
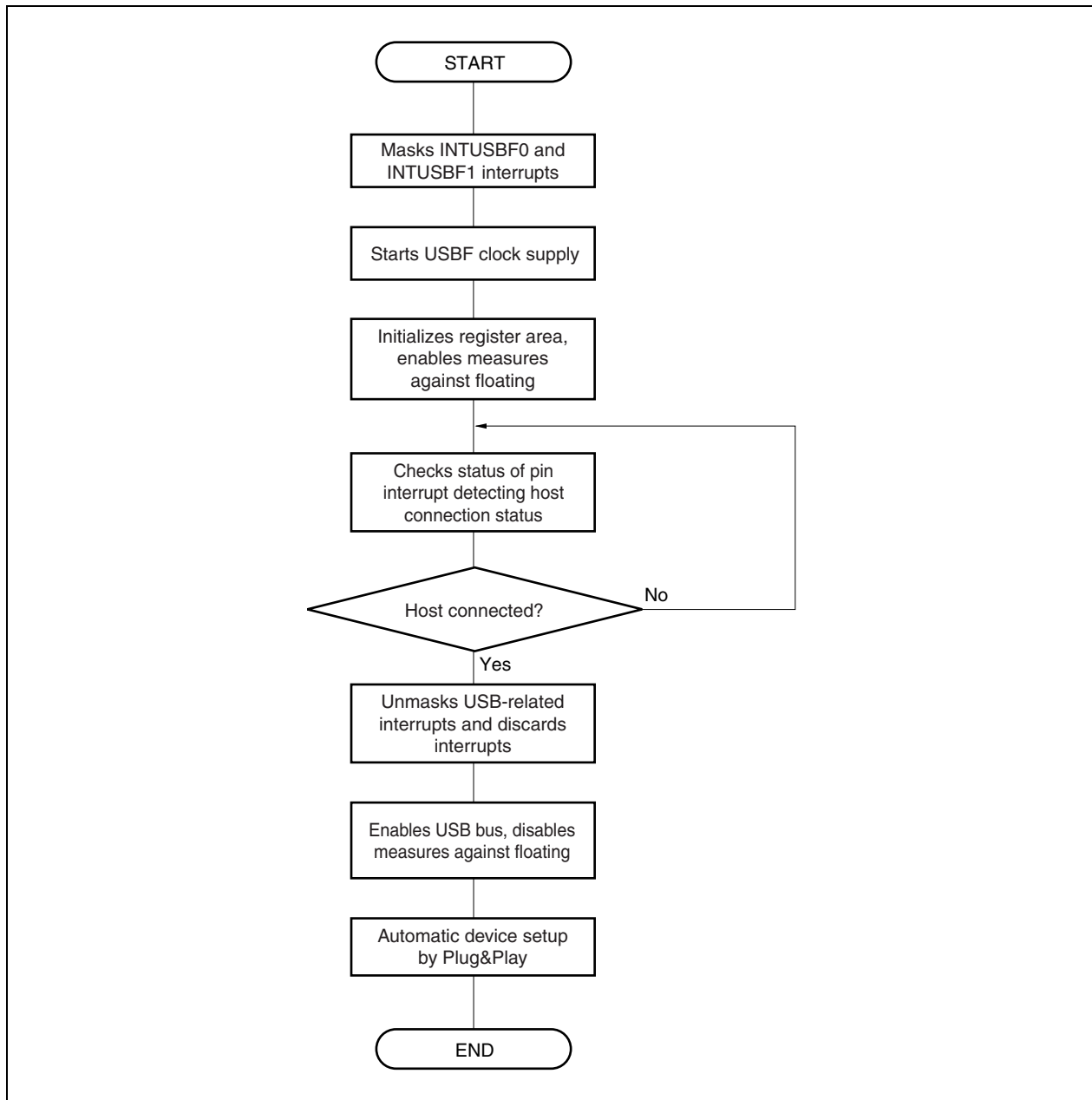


Figure 20-13. Flowchart of Program When Power Is Supplied



20.7 STALL Handshake or No Handshake

Errors of USBF are defined to be handled as follows.

Transfer Type	Transaction	Target Packet	Error Type	Function Response	Processing
Control transfer/ bulk transfer/ interrupt transfer	IN/OUT/SETUP	Token	Endpoint not supported	No response	None
			Endpoint transfer direction mismatch	No response	None
			CRC error	No response	None
			Bit stuffing error	No response	None
Control transfer/ bulk transfer	OUT/SETUP	Data	Timeout	No response	None
			PID check error	No response	None
			Unsupported PID (other than Data PID)	No response	None
			CRC error	No response	Discard received data
	Bit stuffing error	No response	Discard received data		
	OUT	Data	Data PID mismatch	ACK	Discard received data
Control transfer (SETUP stage)	SETUP	Data	Overrun	No response	Discard received data
Control transfer (data stage)	OUT	Data	Overrun	No response ^{Note 1}	Set SNDSTL bit of UF0SDS register to 1 and discard received data
Control transfer (status stage)	OUT	Data	Overrun	ACK or no response ^{Note 2}	Set SNDSTL bit of UF0SDS register to 1 and discard received data
Bulk transfer	OUT	Data	Overrun	No response ^{Note 1}	Set EnHALT bit of UF0EnSL register (n = 0 to 4, 7) to 1
Control transfer/ bulk transfer/ interrupt transfer	IN	Handshake	PID check error	–	Hold transferred data and re-transfer data ^{Note 3}
			Unsupported PID (other than ACK PID)	–	Hold transferred data and re-transfer data ^{Note 3}
			Timeout	–	Hold transferred data and re-transfer data ^{Note 3}

Notes 1. A STALL response is made to re-transfer by the host.

2. An ACK response is made if the transfer data is of less than MaxPacketSize and the data received in the status stage is discarded. If MaxPacketSize is exceeded, no response is made, the SNDSTL bit of the UF0SDS register is set to 1, and the received data is discarded.

3. If an OUT transaction indicating a change from the data stage to the status stage is received during control transfer, an error is not handled and it is assumed that reception has been correctly completed.

Cautions 1. It is judged by the Alternative Setting number currently set whether the target Endpoint is valid or invalid.

2. For the response to the request included in control transfer to/from Endpoint0, see 20.5 Requests.

20.8 Register Values in Specific Status

Table 20-8. Register Values in Specific Status (1/2)

Register Name	After CPU Reset ($\overline{\text{RESET}}$)	After Bus Reset
UF0E0N register	00H	Value is held.
UF0E0NA register	00H	Value is held.
UF0EN register	00H	Value is held.
UF0ENM register	00H	Value is held.
UF0SDS register	00H	Value is held.
UF0CLR register	00H	Value is held.
UF0SET register	00H	Value is held.
UF0EPS0 register	00H	Value is held.
UF0EPS1 register	00H	Value is held.
UF0EPS2 register	00H	Value is held.
UF0IS0 register	00H	Value is held.
UF0IS1 register	00H	Value is held.
UF0IS2 register	00H	Value is held.
UF0IS3 register	00H	Value is held.
UF0IS4 register	00H	Value is held.
UF0IM0 register	00H	Value is held.
UF0IM1 register	00H	Value is held.
UF0IM2 register	00H	Value is held.
UF0IM3 register	00H	Value is held.
UF0IM4 register	00H	Value is held.
UF0IC0 register	FFH	Value is held.
UF0IC1 register	FFH	Value is held.
UF0IC2 register	FFH	Value is held.
UF0IC3 register	FFH	Value is held.
UF0IC4 register	FFH	Value is held.
UF0IDR register	00H	Value is held.
UF0DMS0 register	00H	Value is held.
UF0DMS1 register	00H	Value is held.
UF0FIC0 register	00H	Value is held.
UF0FIC1 register	00H	Value is held.
UF0DEND register	00H	Value is held.
UF0GPR register	00H	Value is held.
UF0MODC register	00H	Value is held.
UF0MODS register	00H	Bit 2 (CONF): Cleared (0), Other bits: Value is held.
UF0AIFN register	00H	Value is held.
UF0AAS register	00H	Value is held.
UF0ASS register	00H	00H
UF0E1IM register	00H	Value is held.
UF0E2IM register	00H	Value is held.

Table 20-8. Register Values in Specific Status (2/2)

Register Name	After CPU Reset (RESET)	After Bus Reset
UF0E3IM register	00H	Value is held.
UF0E4IM register	00H	Value is held.
UF0E7IM register	00H	Value is held.
UF0E0R register	Undefined ^{Note 1}	Value is held.
UF0E0L register	00H	Value is held.
UF0E0ST register	00H	00H
UF0E0W register	Undefined ^{Note 1}	Value is held.
UF0BO1 register	Undefined ^{Note 1}	Value is held.
UF0BO1L register	00H	Value is held.
UF0BO2 register	Undefined ^{Note 1}	Value is held.
UF0BO2L register	00H	Value is held.
UF0B11 register	Undefined ^{Note 1}	Value is held.
UF0B12 register	Undefined ^{Note 1}	Value is held.
UF0INT1 register	Undefined	Value is held.
UF0DSTL register	00H	00H
UF0E0SL register	00H	00H
UF0E1SL register	00H	00H
UF0E2SL register	00H	00H
UF0E3SL register	00H	00H
UF0E4SL register	00H	00H
UF0E7SL register	00H	00H
UF0ADRS register	00H	00H
UF0CNF register	00H	00H
UF0IF0 register	00H	00H
UF0IF1 register	00H	00H
UF0IF2 register	00H	00H
UF0IF3 register	00H	00H
UF0IF4 register	00H	00H
UF0DSCL register	00H	Value is held.
UF0DDn register (n = 0 to 17)	Note 2	Note 2
UF0CIEn register (n = 0 to 255)	Note 2	Note 2

- Notes 1.** This register can be cleared to 0 by the $\overline{\text{RESET}}$ signal because its write pointer, counter, and read pointer are cleared to 0 when the $\overline{\text{RESET}}$ signal becomes active, in the same manner as clearing by the UF0FICn register, as the register is controlled by FIFO.
- 2.** This register cannot be cleared to 0. Because data can be written to it by FW, however, any value can be written to the register (before doing so, however, be sure to set the EP0NKA bit of the UF0E0NA register to 1).

20.9 FW Processing

The following FW processing is performed.

- Setting processing on device side for the SET_CONFIGURATION, SET_INTERFACE, SET_FEATURE, and CLEAR_FEATURE requests during enumeration processing
- Analysis and processing of XXXXStandard, XXXXClass, and XXXXVendor requests not subject to automatic processing
- Reading data following bulk-transferred OUT token from receive buffer
- Writing data to be returned in response to bulk-transferred IN token
- Writing data to be returned in response to interrupt-transferred token

The following table lists the requests supported by FW.

Table 20-9. FW-Supported Standard Requests

Request	Reception Side	Processing/ Frequency	Explanation
CLEAR_FEATURE	Interface	Automatic STALL response	It is considered that this request does not come to Interface because there is no function selector value, though it is reserved for bmRequestType. When this request is received, the hardware makes an automatic STALL response.
SET_FEATURE	Interface	Automatic STALL response	It is considered that this request does not come to Interface because there is no function selector value, though it is reserved for bmRequestType. When this request is received, the hardware makes an automatic STALL response.
GET_DESCRIPTOR	String	FW	Returns the string descriptor. When this request is received by the SETUP token, the hardware generates the CPUDEC interrupt request for FW. FW decodes the contents of the request from the CPUDEC interrupt request, and writes the data to be returned to the host, to the UF0E0W register.
SET_DESCRIPTOR	Device	FW	Rewrites the device descriptor. When this request is received by the SETUP token, the hardware generates the CPUDEC interrupt request for FW. FW decodes the contents of the request from the CPUDEC interrupt request, and the writes the data for the next control transfer (OUT) to the UF0DDn register (n = 0 to 17).
SET_DESCRIPTOR	Configuration	FW	Rewrites the configuration descriptor. When this request is received by the SETUP token, the hardware generates the CPUDEC interrupt request for FW. FW decodes the contents of the request from the CPUDEC interrupt request, and the writes the data for the next control transfer (OUT) to the UF0CIEn register (n = 0 to 255).
SET_DESCRIPTOR	String	FW	Rewrites the string descriptor. When this request is received by the SETUP token, the hardware generates the CPUDEC interrupt request for FW. FW decodes the contents of the request from the CPUDEC interrupt request, and loads the data for the next control transfer (OUT).
Other	NA	FW	When this request is received by the SETUP token, the hardware generates the CPUDEC interrupt request for FW. FW decodes the contents of the request from the CPUDEC interrupt request, and performs the necessary processing.

20.9.1 Initialization processing

Initialization processing is executed in the following two ways.

- Initialization of request data register
- Setting of interrupt

When a request data register is initialized, data for the GET_XXXX request to which a value is to be automatically returned is written and an endpoint is allocated to an interface. In the interrupt settings, the interrupt sources that do not have to be checked can be masked by using the UF0IMn register (n = 0 to 4).

The following flowcharts illustrate the above processing.

Figure 20-14. Initializing Request Data Register

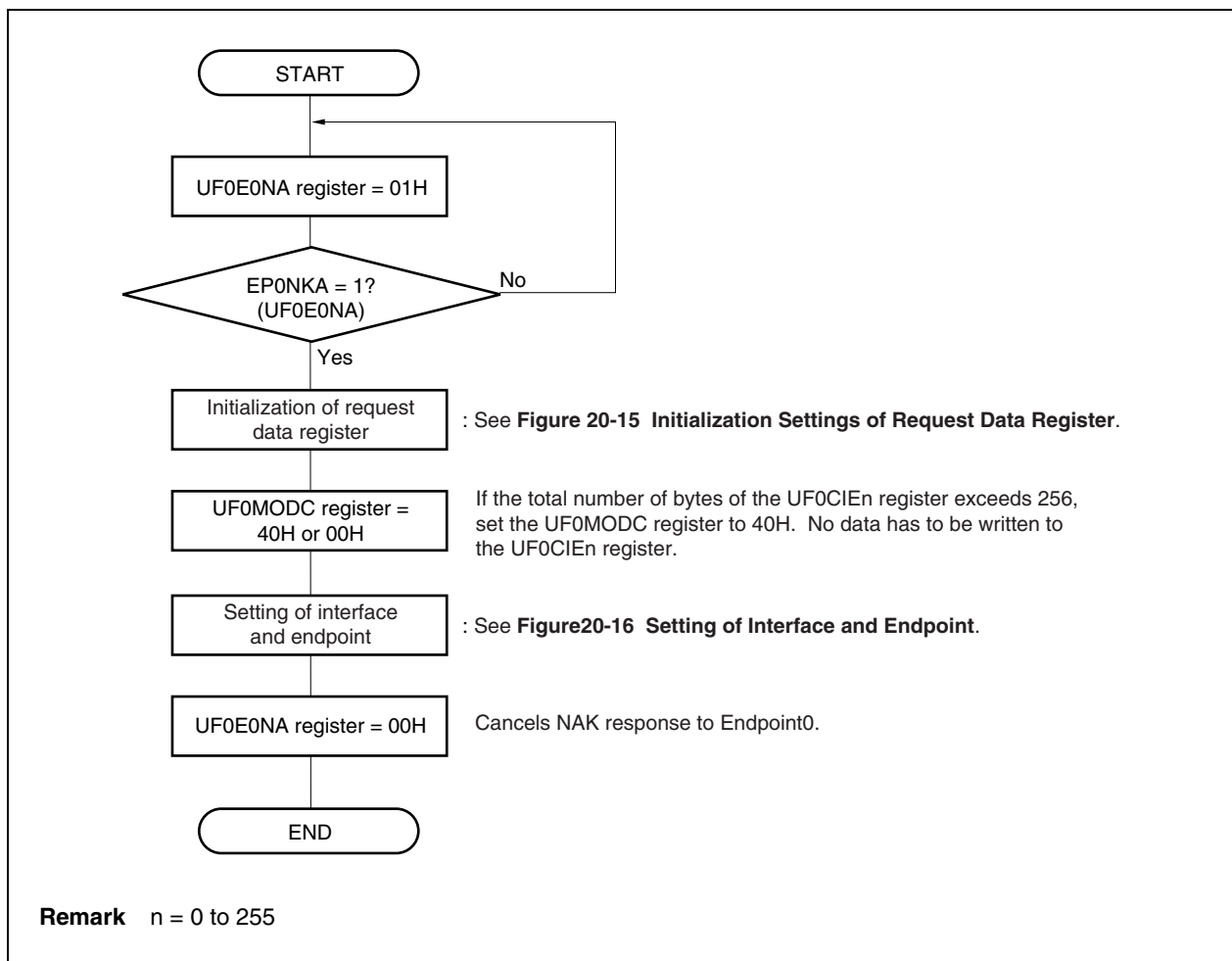


Figure 20-15. Initialization Settings of Request Data Register

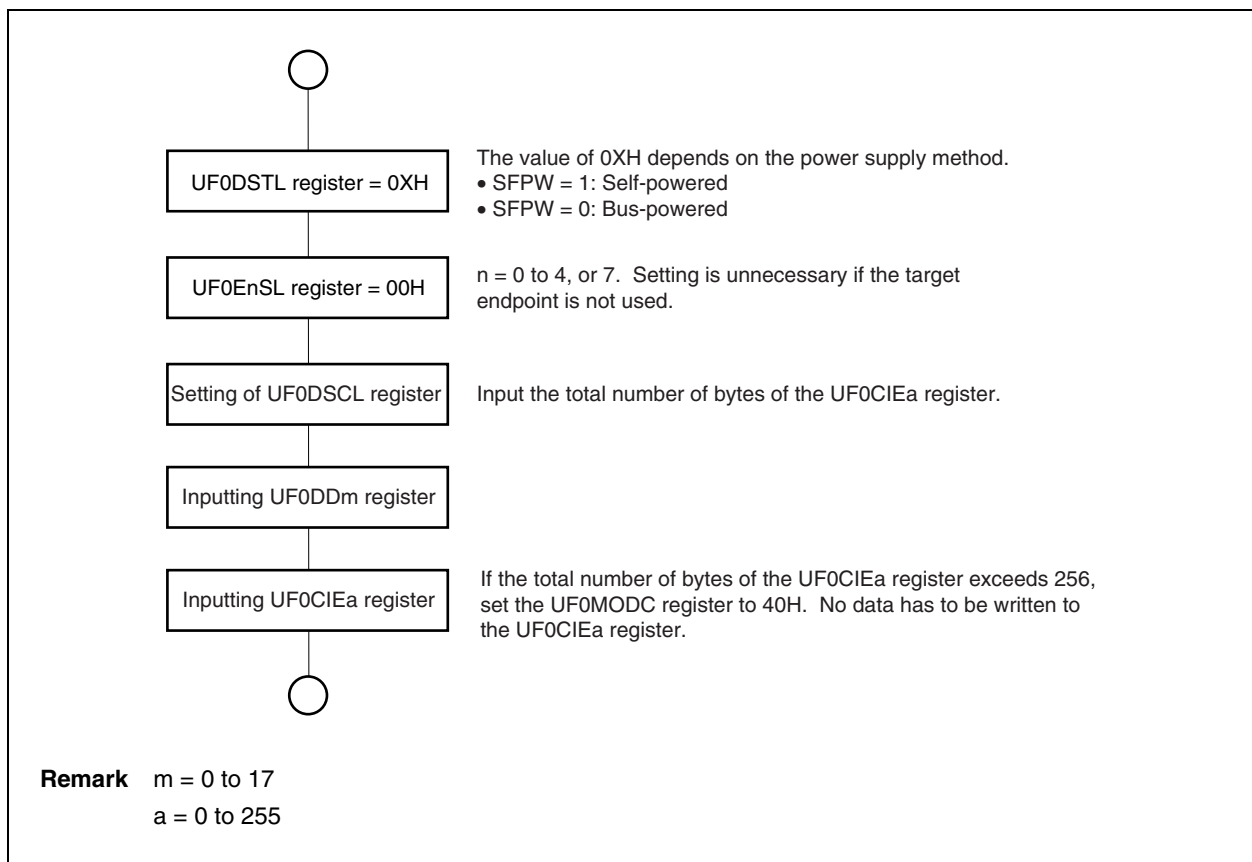


Figure 20-16. Setting of Interface and Endpoint

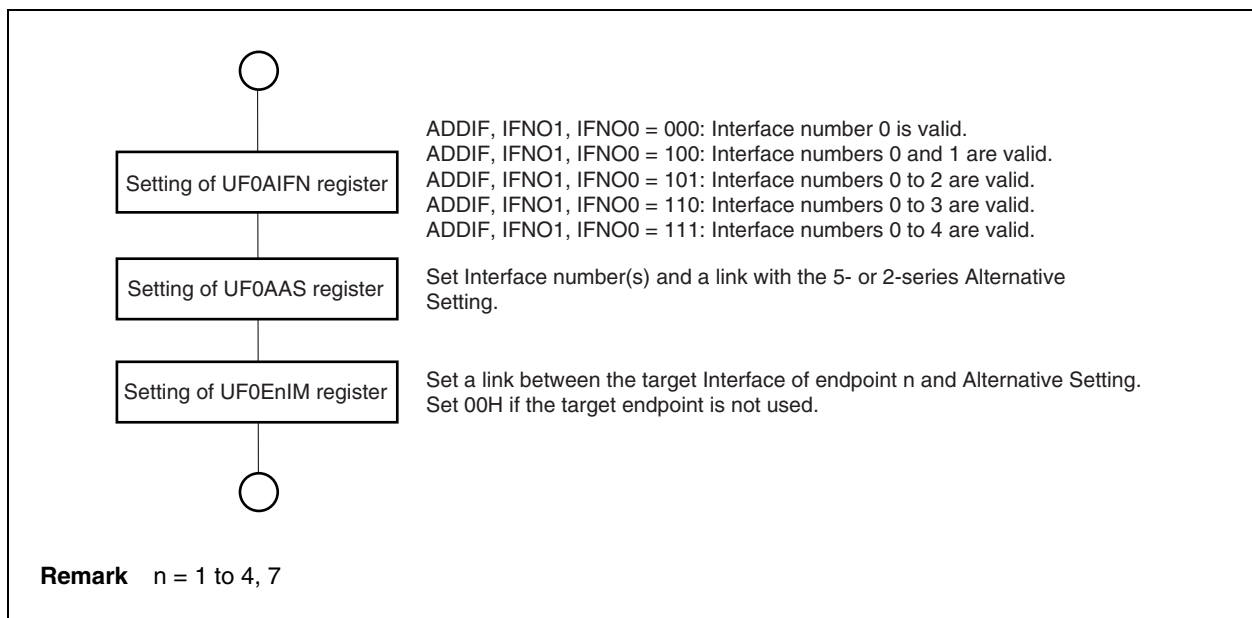
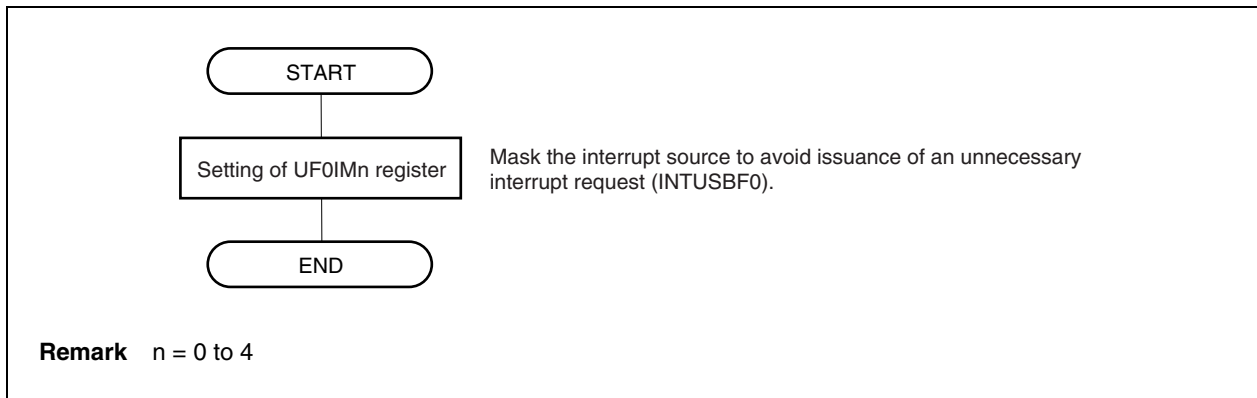


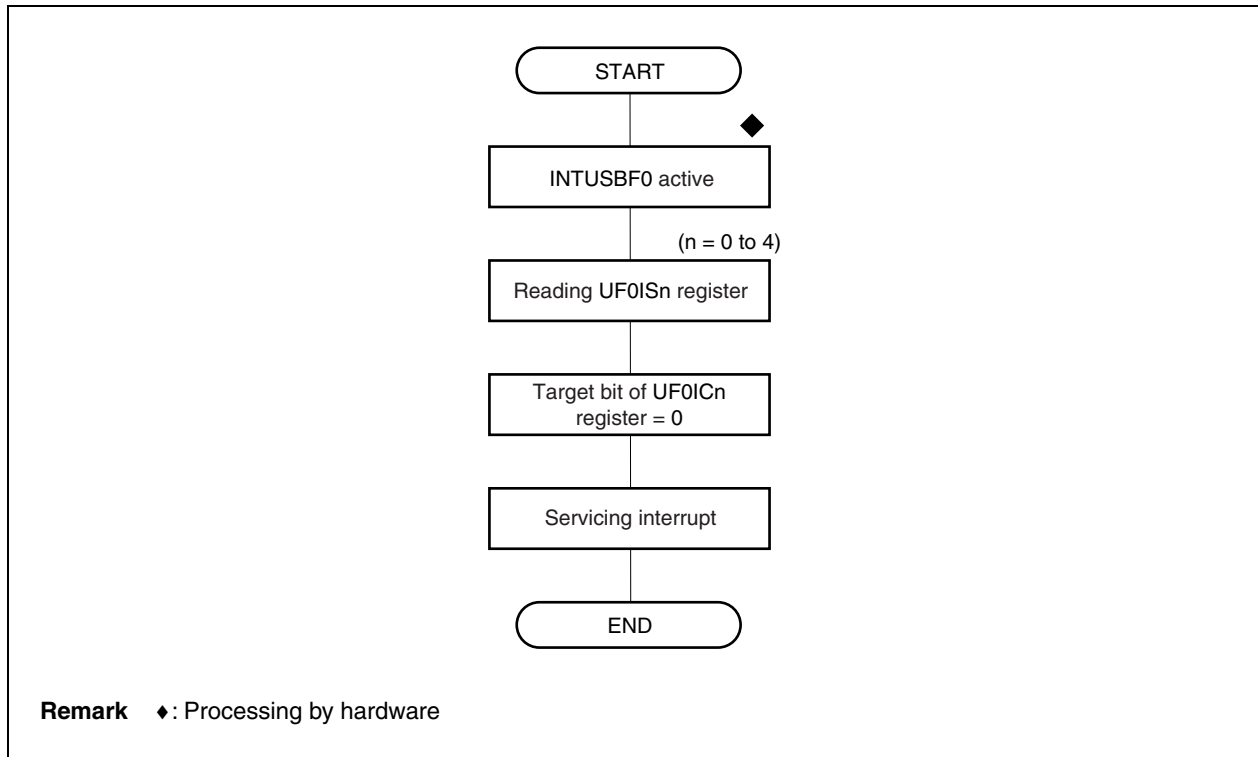
Figure 20-17. Setting of Interrupt



20.9.2 Interrupt servicing

The following flowchart illustrates how an interrupt is serviced.

Figure 20-18. Interrupt Servicing



The following bits of the UF0ISn register are automatically cleared by hardware when a given condition is satisfied (n = 0 to 4).

- E0INDT, E0ODT, SUCES, STG, and CPUDEC bits of UF0IS1 register
- BKI2DT, BKI1DT, and IT1DT bits of UF0IS2 register
- BKO2FL, BKO2DT, BKO1FL, and BKO1DT bits of UF0IS3 register

Because clearing an interrupt source by the UF0ICn register is given a lower priority than setting an interrupt source by hardware, the interrupt source may not be cleared depending on the timing (n = 0 to 4).

20.9.3 USB main processing

USB main processing involves processing USB transactions. The types of transactions to be processed are as follows.

- Fully automatically processed request for control transfer
- Automatically processed requests for control transfer
(SET_CONFIGURATION, SET_INTERFACE, SET_FEATURE, CLEAR_FEATURE)
- CPUDEC request for control transfer
- Processing for bulk transfer (IN)
- Processing for bulk transfer (OUT)
- Processing for interrupt transfer (IN)

Processing for endpoint n involves writing or reading for data transfer. The flowchart shown below is for PIO.

(1) Fully automatically processed request for control transfer

Because the fully automatically processed request for control transfer is executed by hardware, it cannot be referenced by FW. Therefore, FW does not have to perform any special processing for this request.

(2) Automatically processed requests for control transfer

(SET_CONFIGURATION, SET_INTERFACE, SET_FEATURE, CLEAR_FEATURE)

Processing to write a register for automatically processed requests for control transfer, such as SET_CONFIGURATION, SET_INTERFACE, SET_FEATURE, and CLEAR_FEATURE requests, is automatically executed by hardware, but an interrupt request is issued for recognition on the device side. This processing may be ignored if there is no special processing to be executed.

The flowcharts are shown below.

Figure 20-19. Automatically Processed Requests for Control Transfer

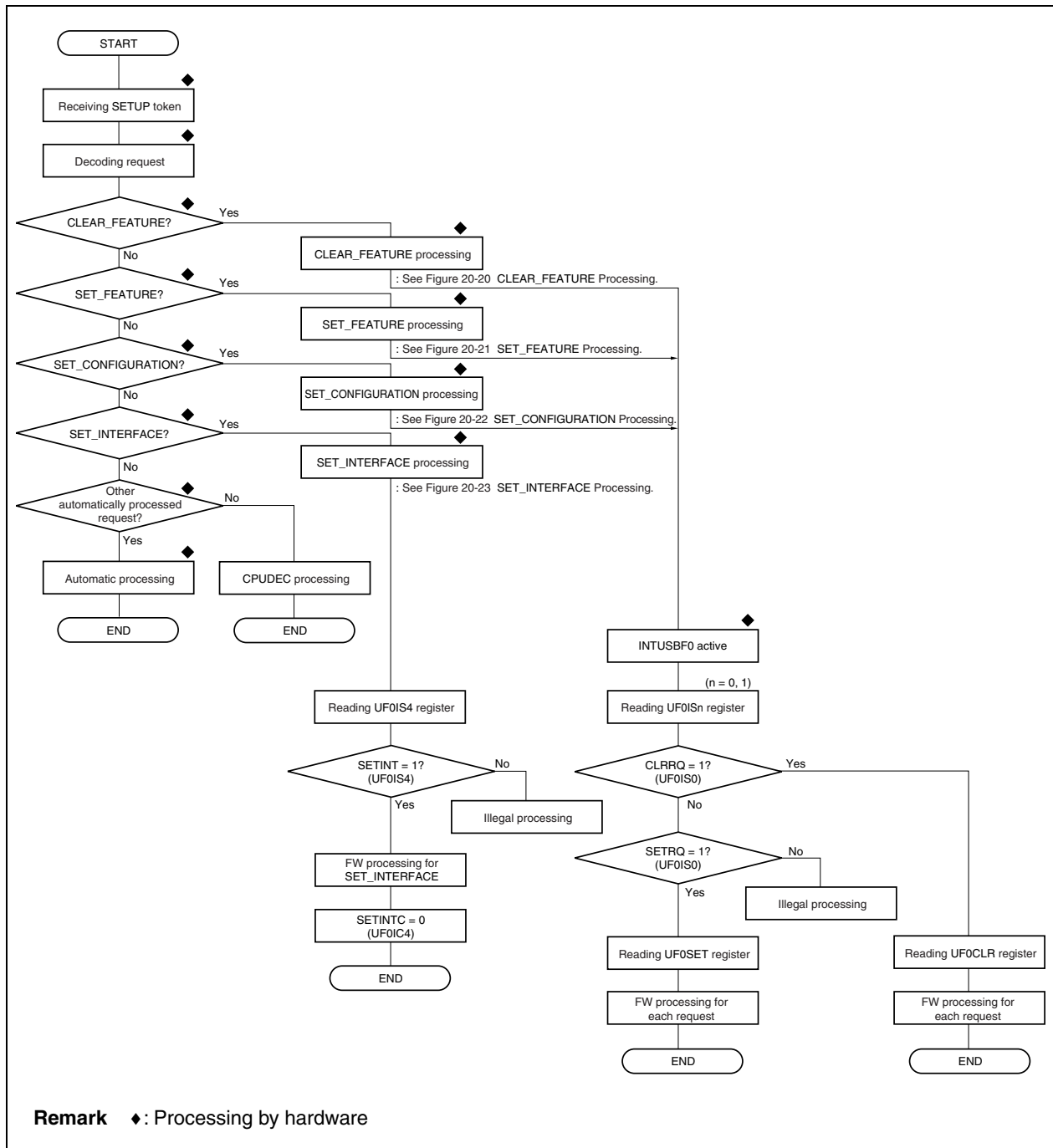


Figure 20-20. CLEAR_FEATURE Processing

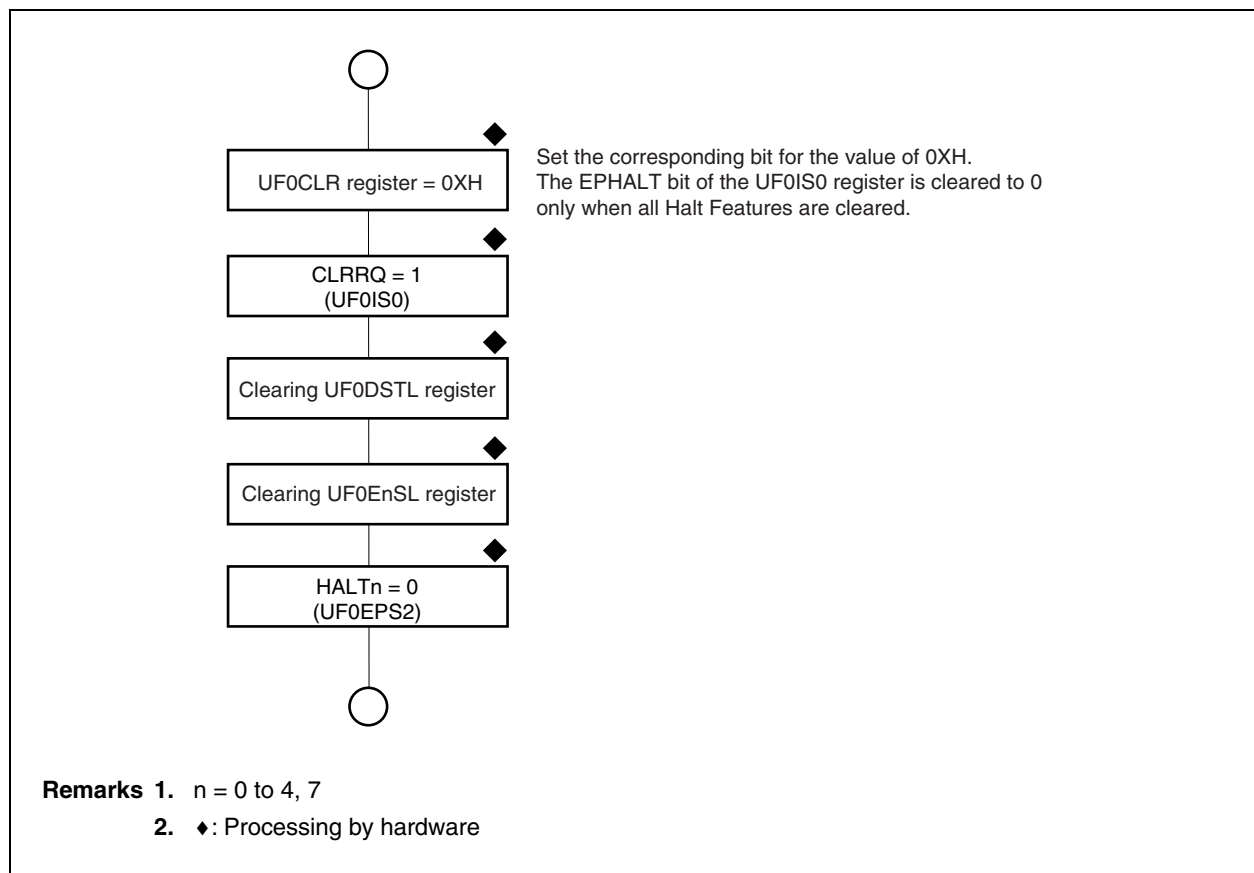


Figure 20-21. SET_FEATURE Processing

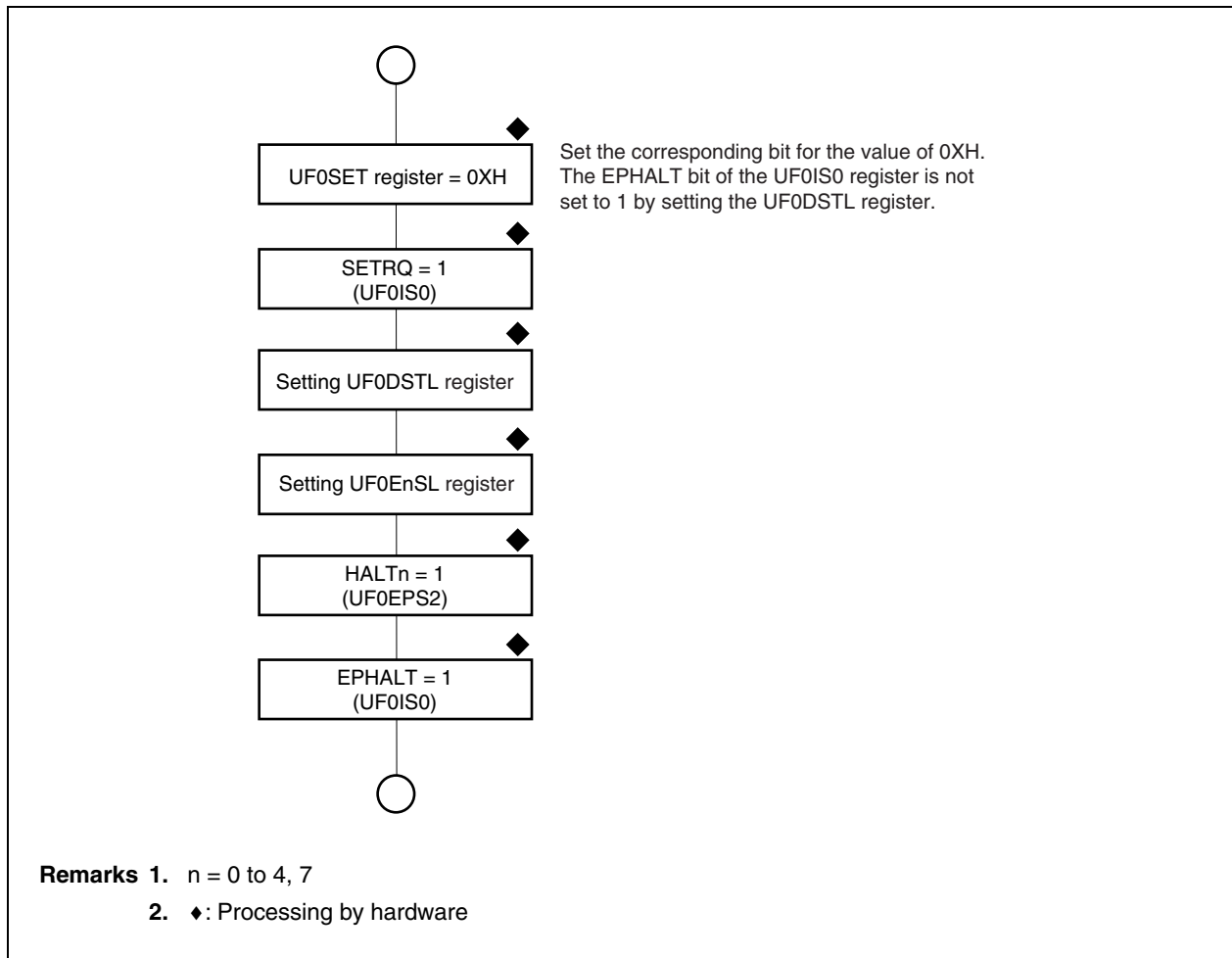


Figure 20-22. SET_CONFIGURATION Processing

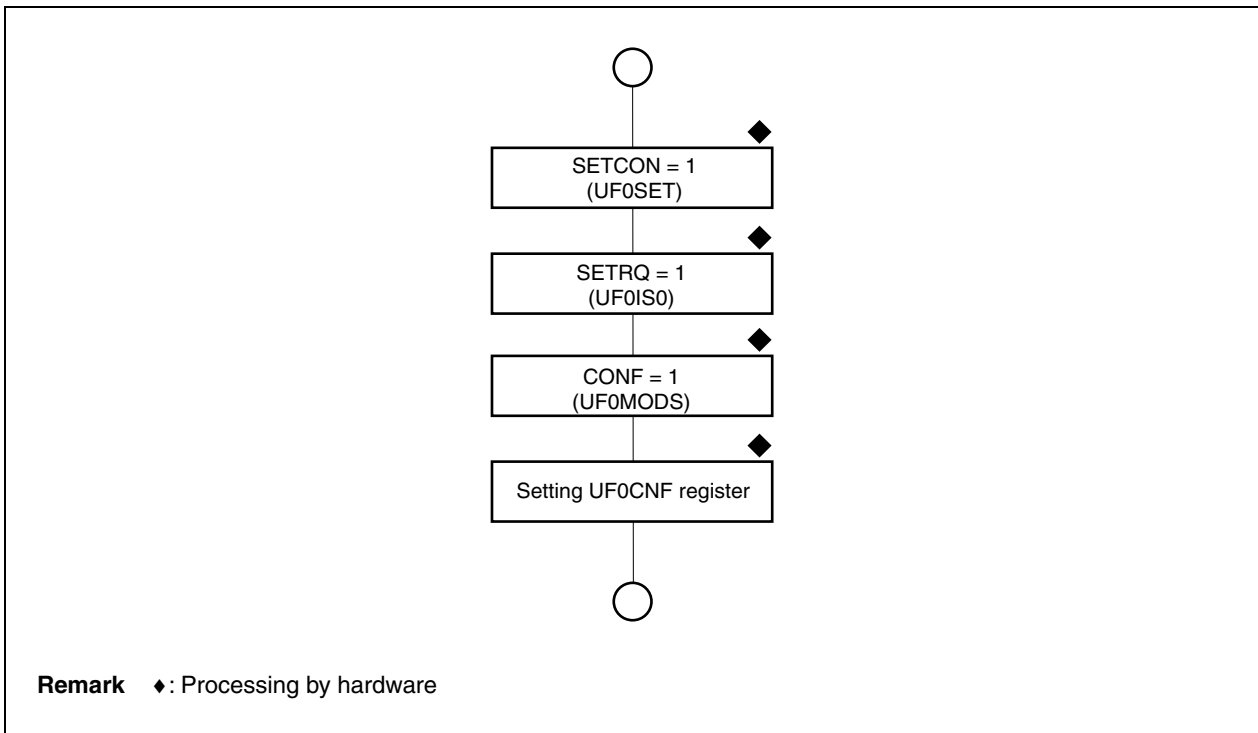
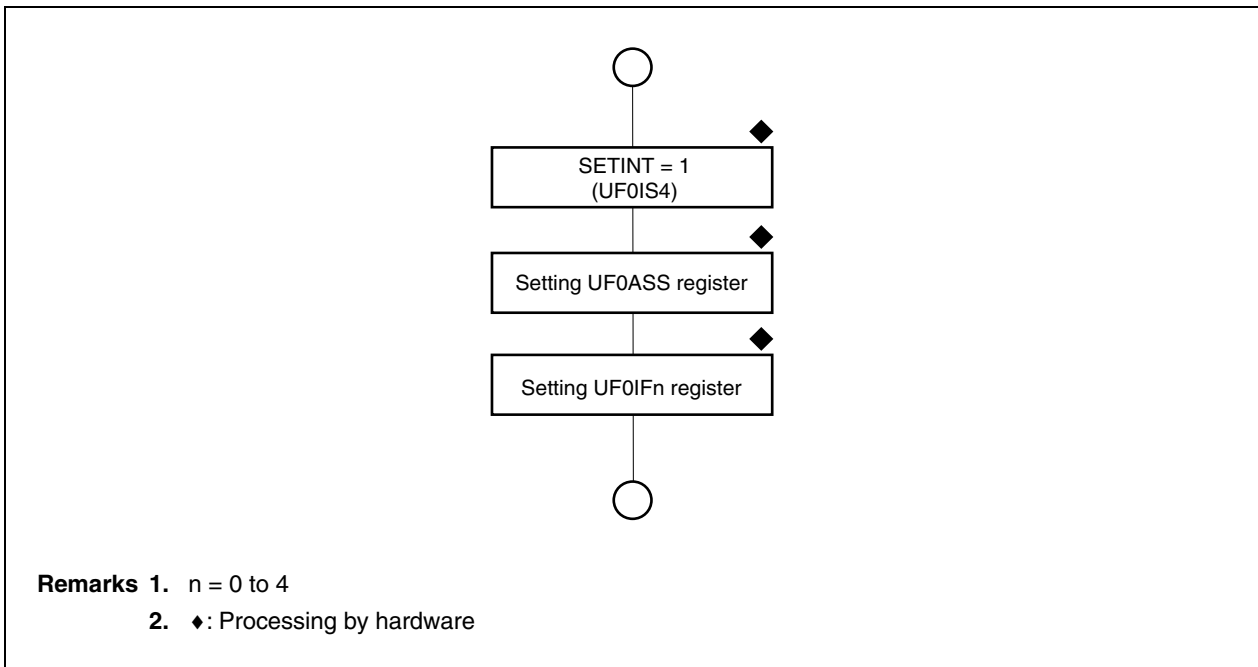


Figure 20-23. SET_INTERFACE Processing



(3) CPUDEC request for control transfer

The CPUDEC request can be classified into three types of processing: control transfer (write), control transfer (read), and control transfer (without data). Control transfer (write) indicates a request that uses the OUT transaction in the data stage (e.g., SET_DESCRIPTOR), and control transfer (read) indicates a request that uses the IN transaction in the data stage (e.g., GET_DESCRIPTOR). Control transfer (without data) indicates a request that has no data stage (e.g., SET_CONFIGURATION).

The flowcharts are shown below.

Figure 20-24. CPUDEC Request for Control Transfer (1/12)

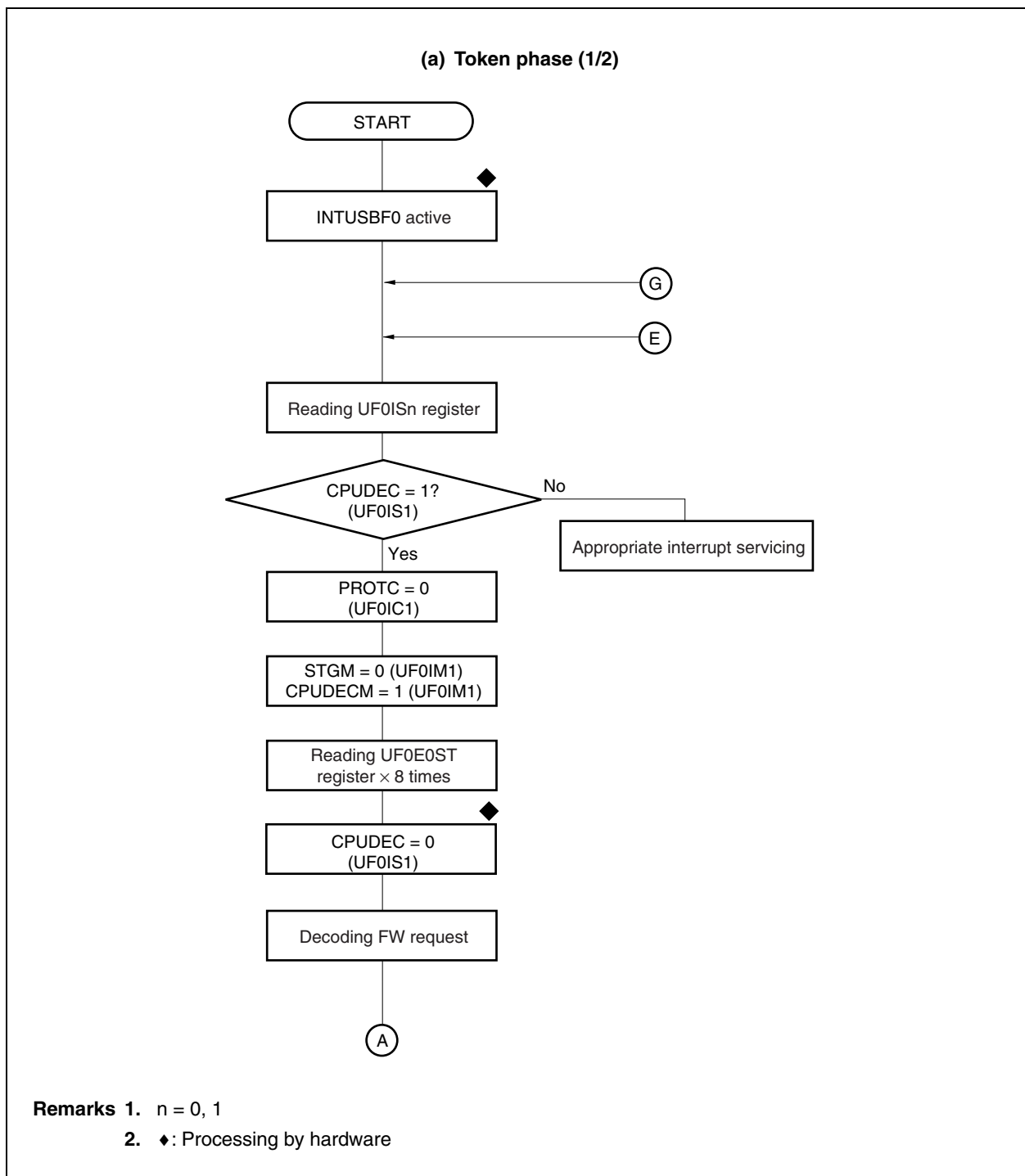


Figure 20-24. CPUDEC Request for Control Transfer (2/12)

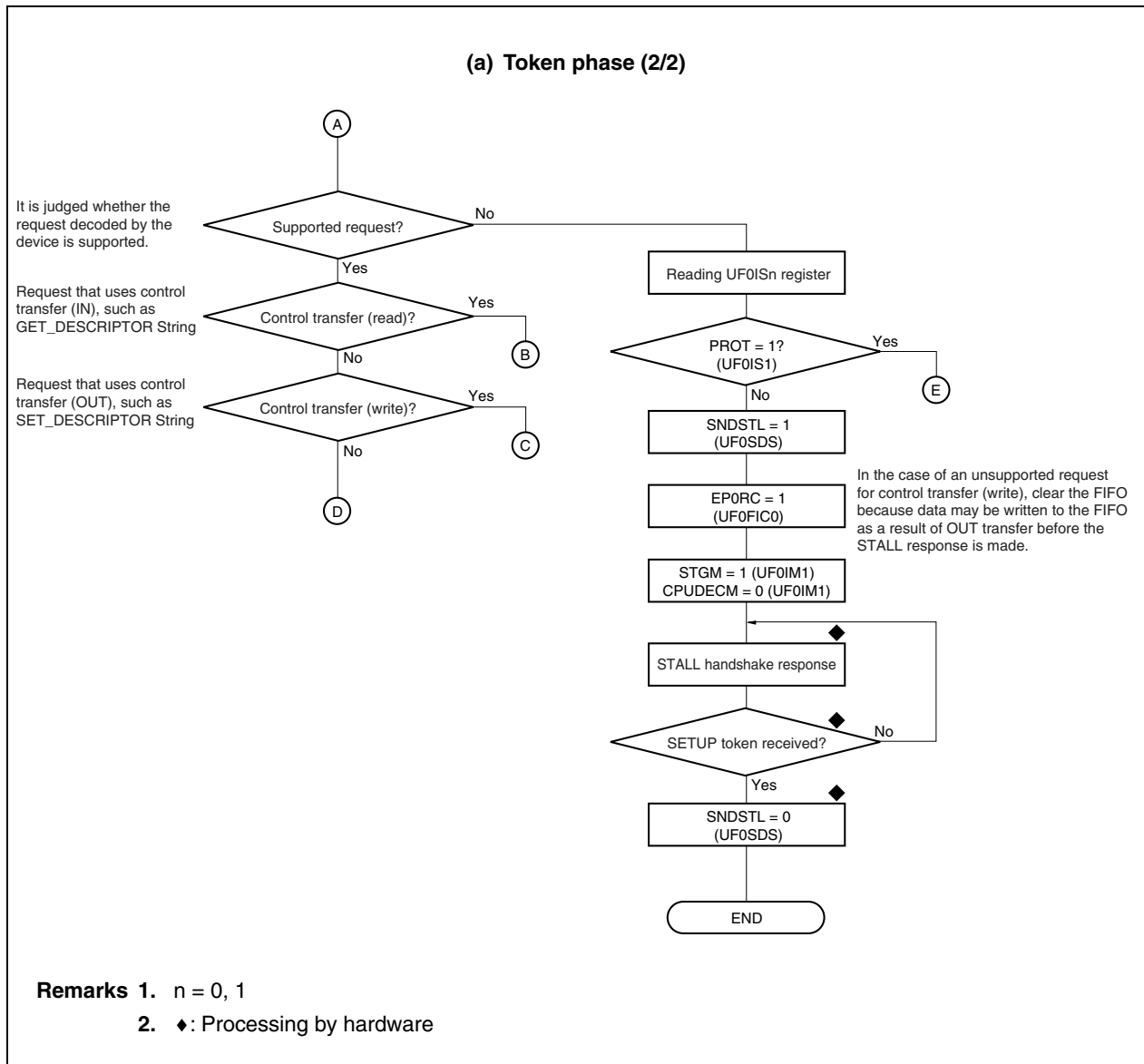


Figure 20-24. CPUDEC Request for Control Transfer (3/12)

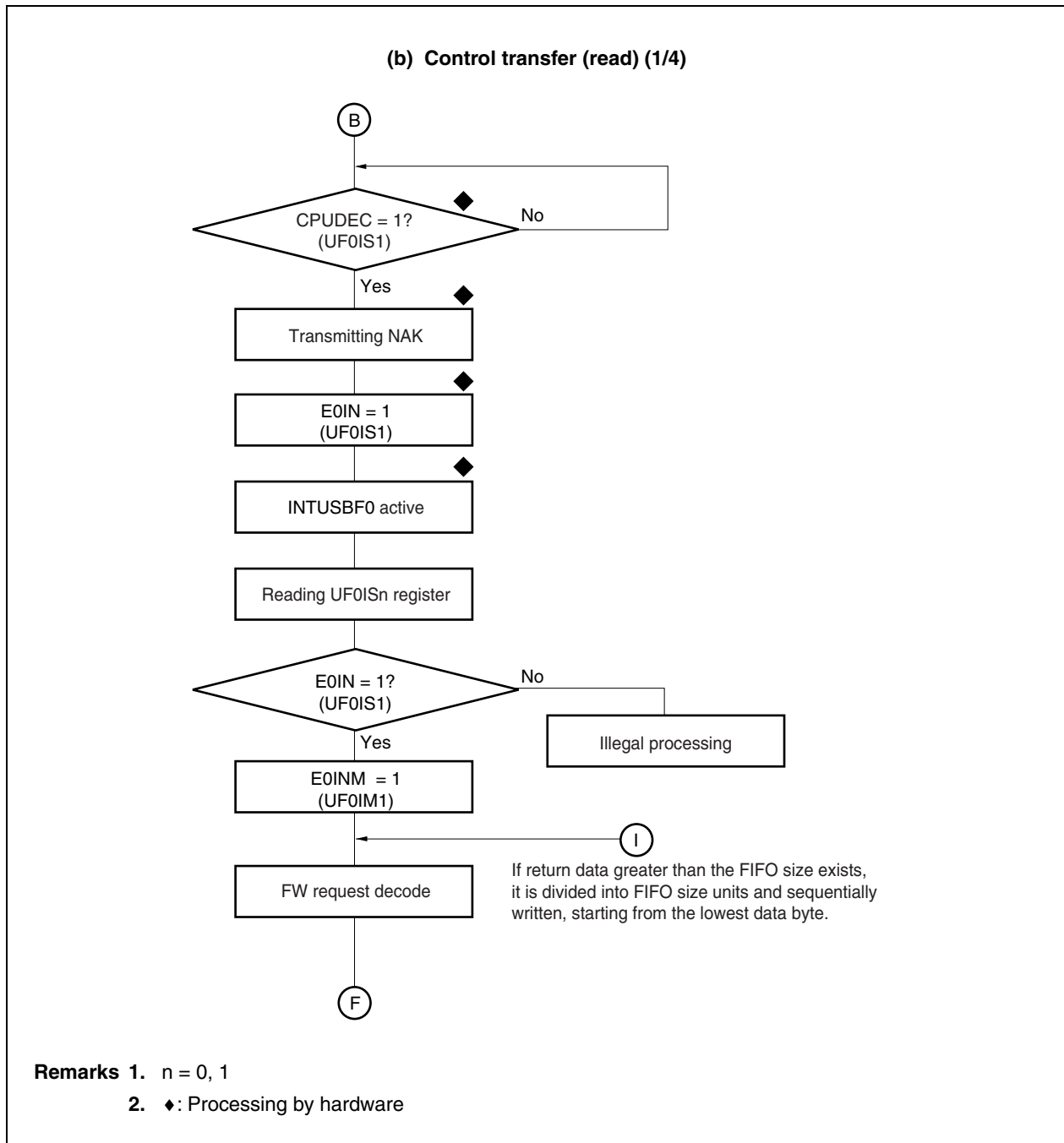


Figure 20-24 CPUDEC Request for Control Transfer (4/12)

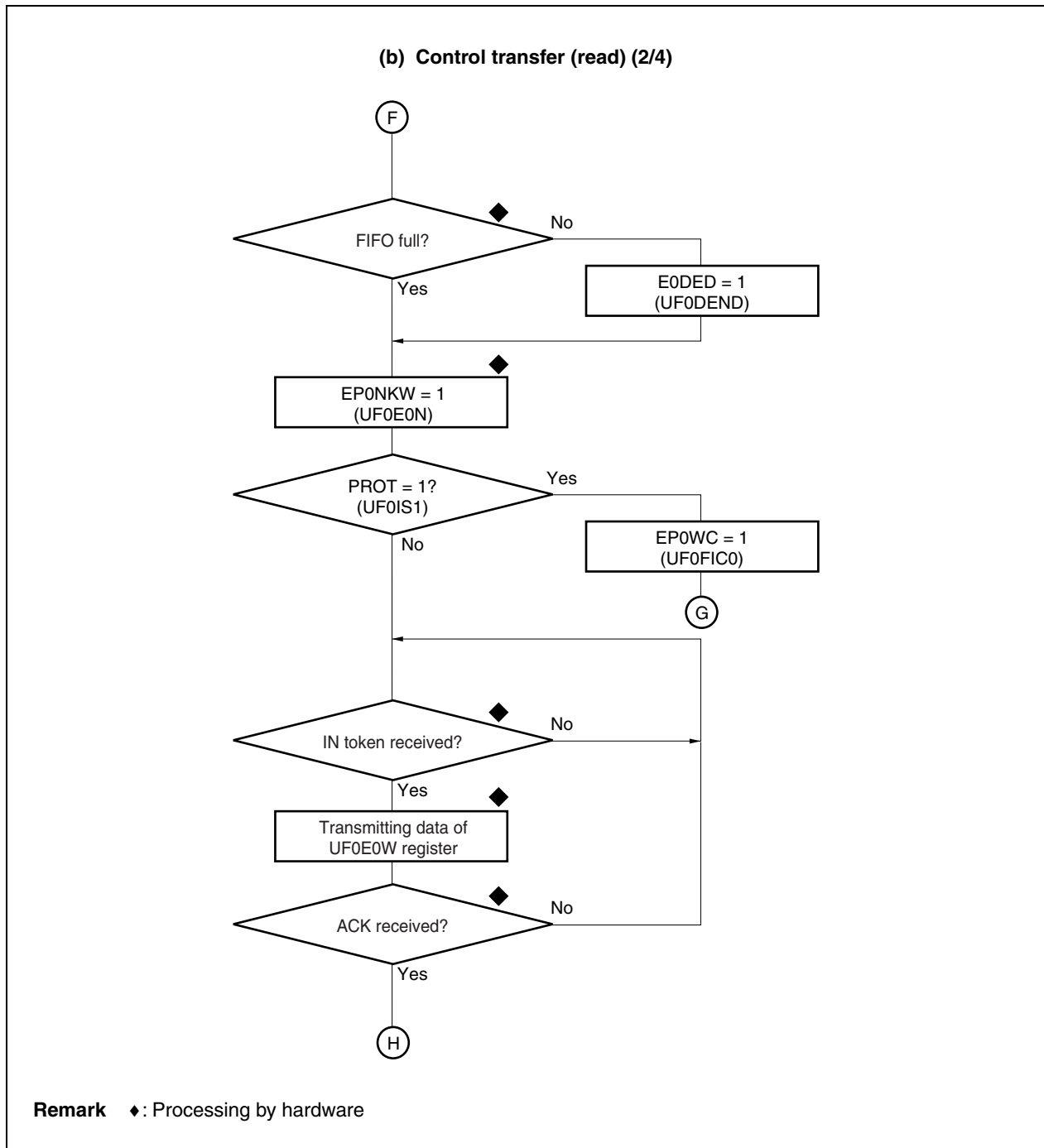


Figure 20-24. CPUDEC Request for Control Transfer (5/12)

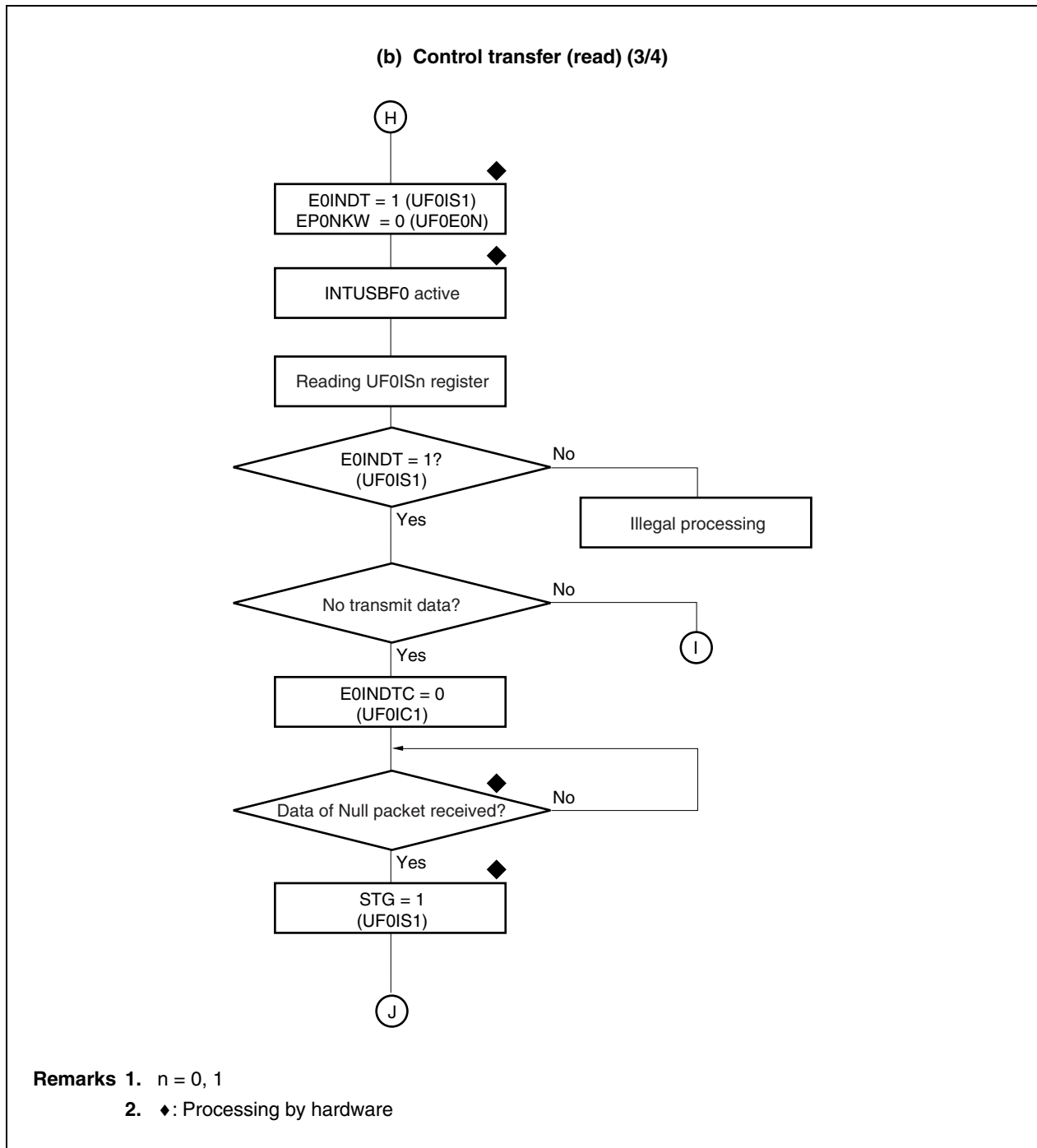


Figure 20-24. CPUDEC Request for Control Transfer (6/12)

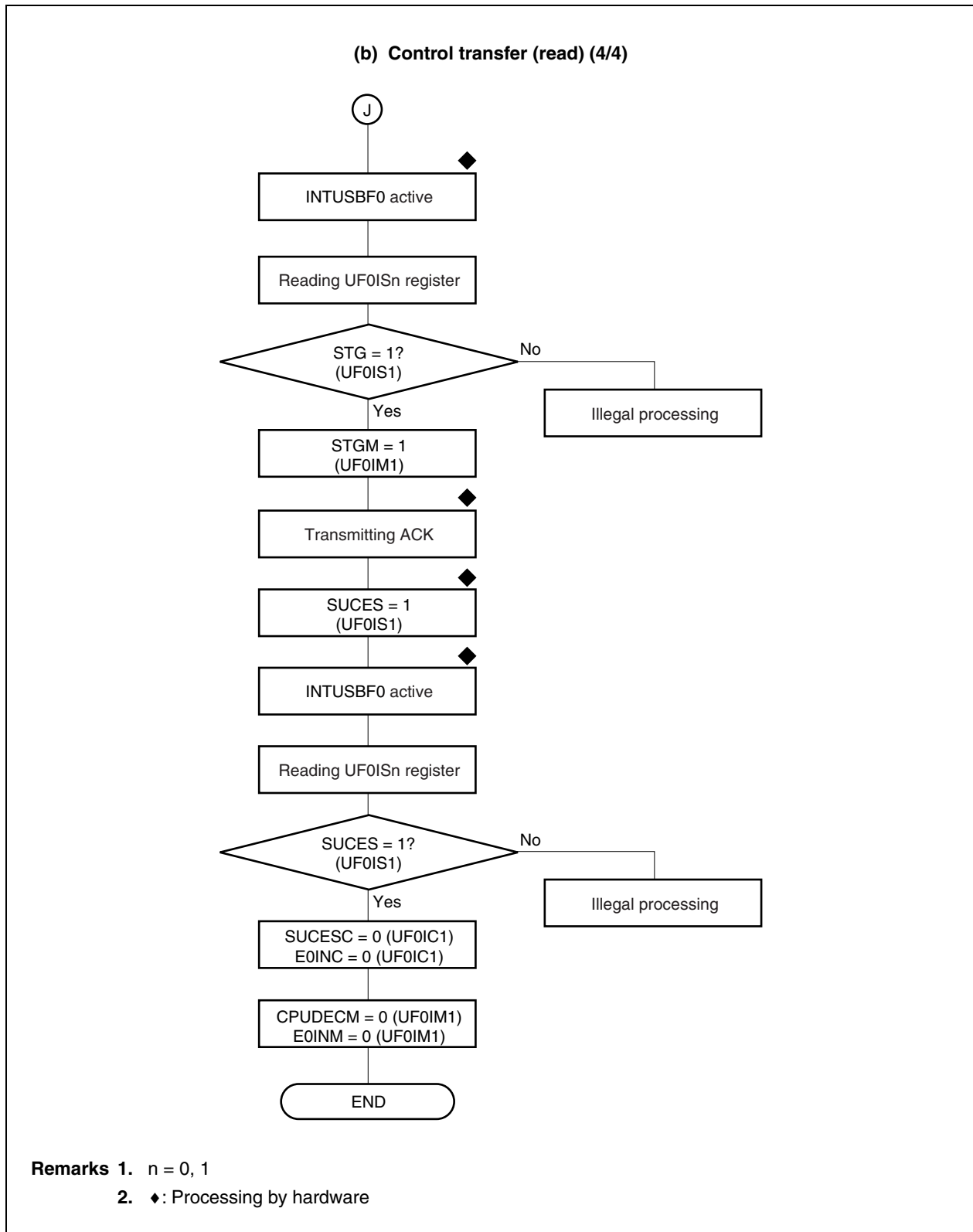


Figure 20-24. CPUDEC Request for Control Transfer (7/12)

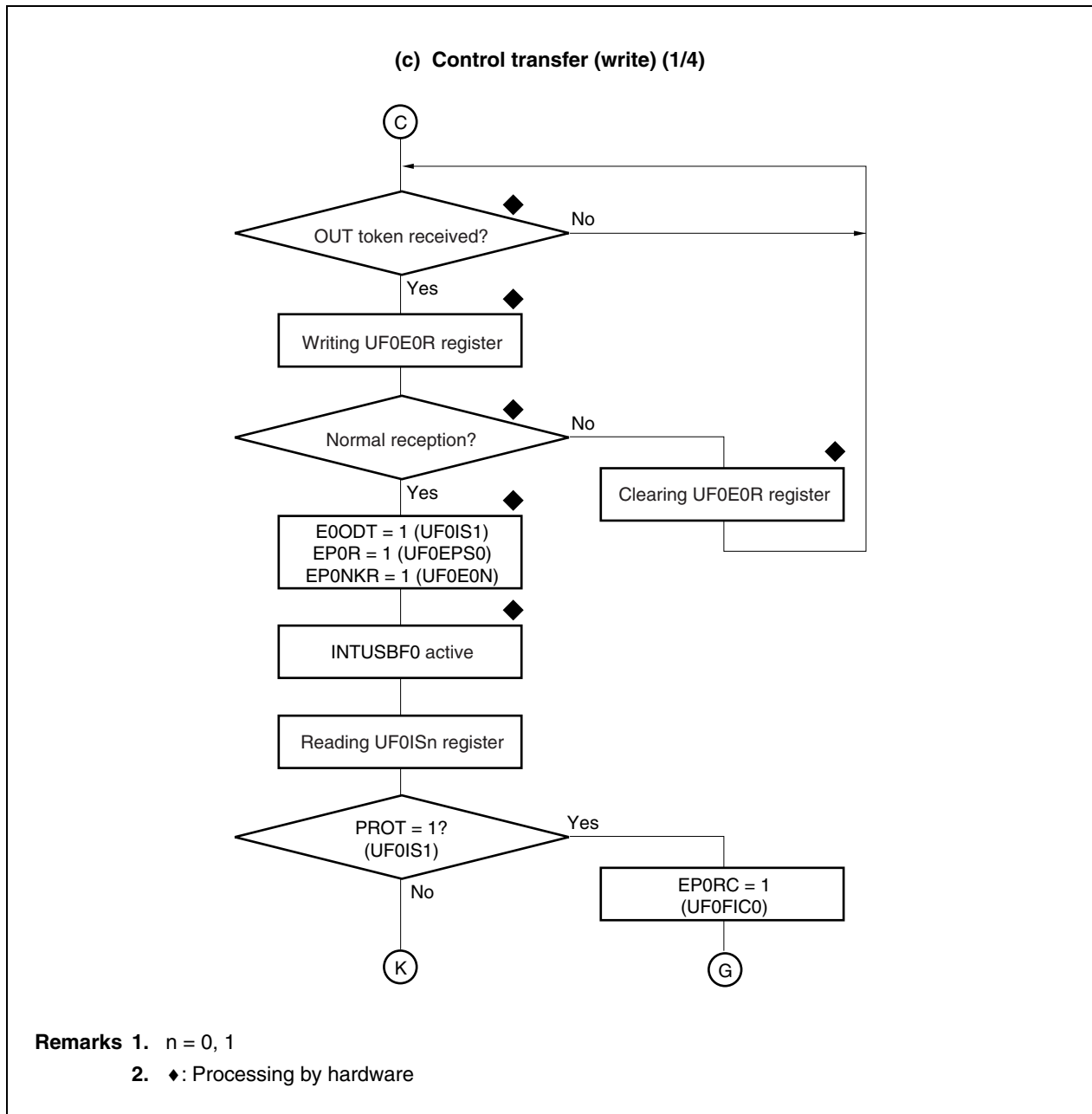


Figure 20-24. CPUDEC Request for Control Transfer (8/12)

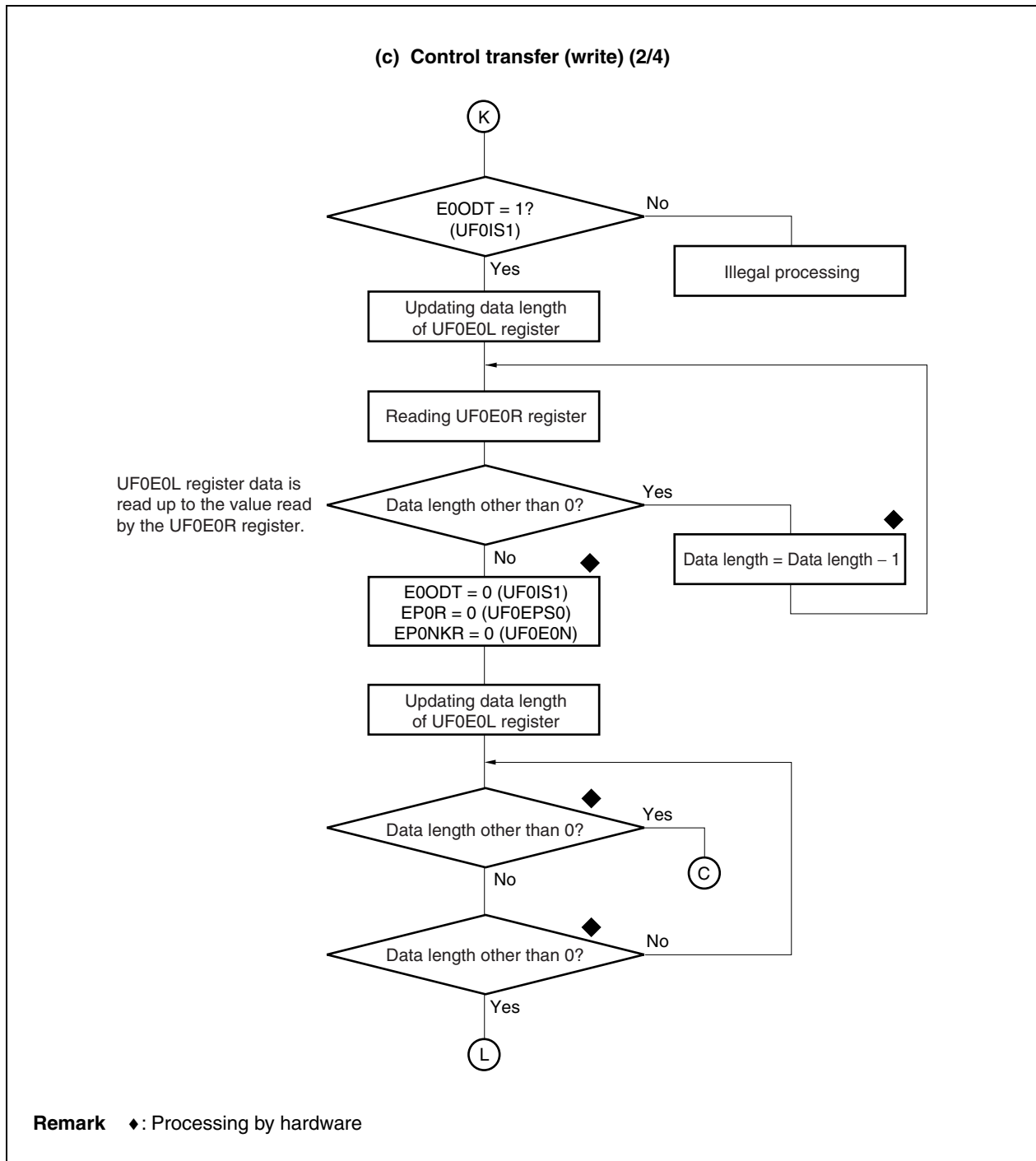


Figure 20-24. CPUDEC Request for Control Transfer (9/12)

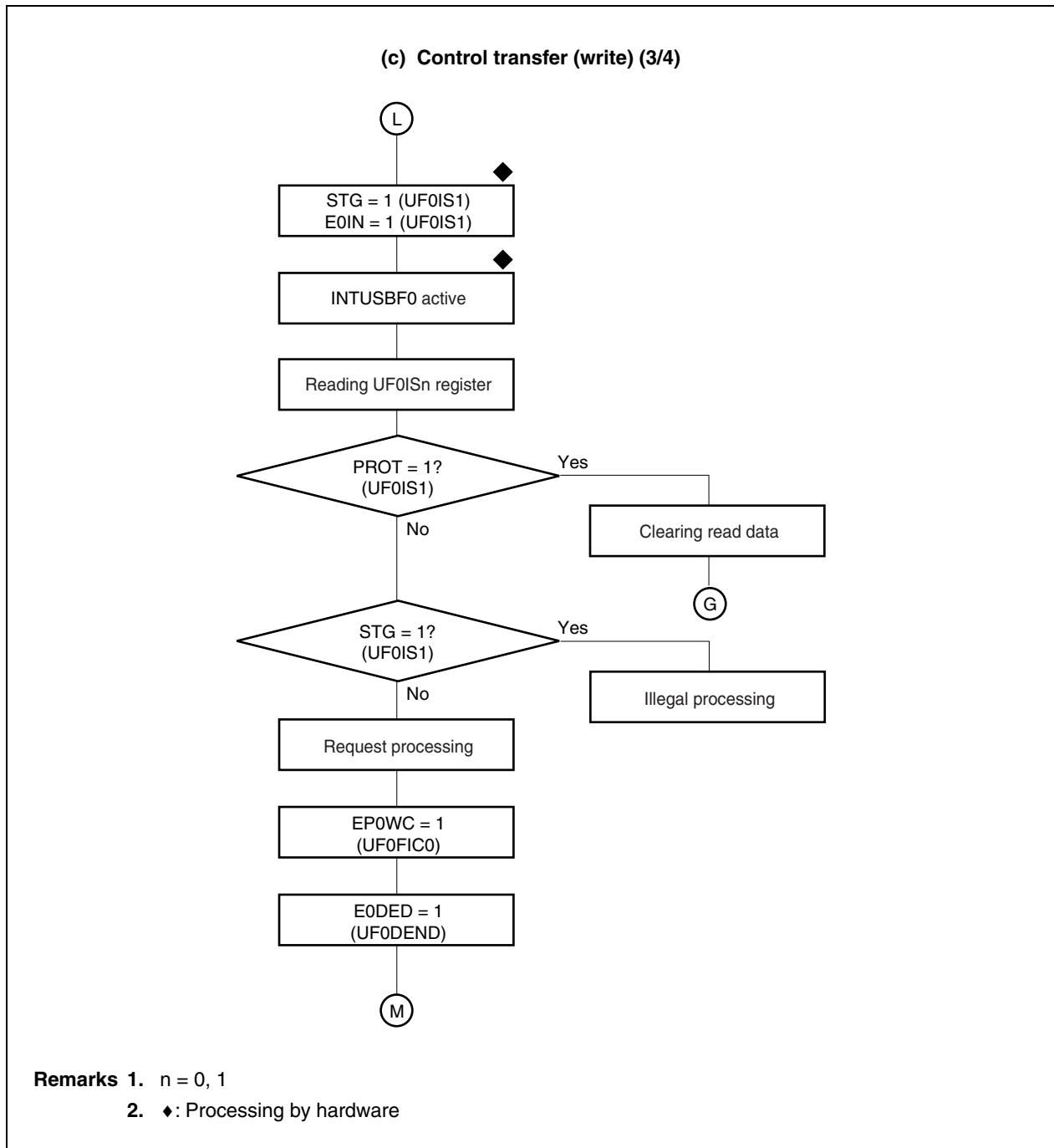


Figure 20-24. CPUDEC Request for Control Transfer (10/12)

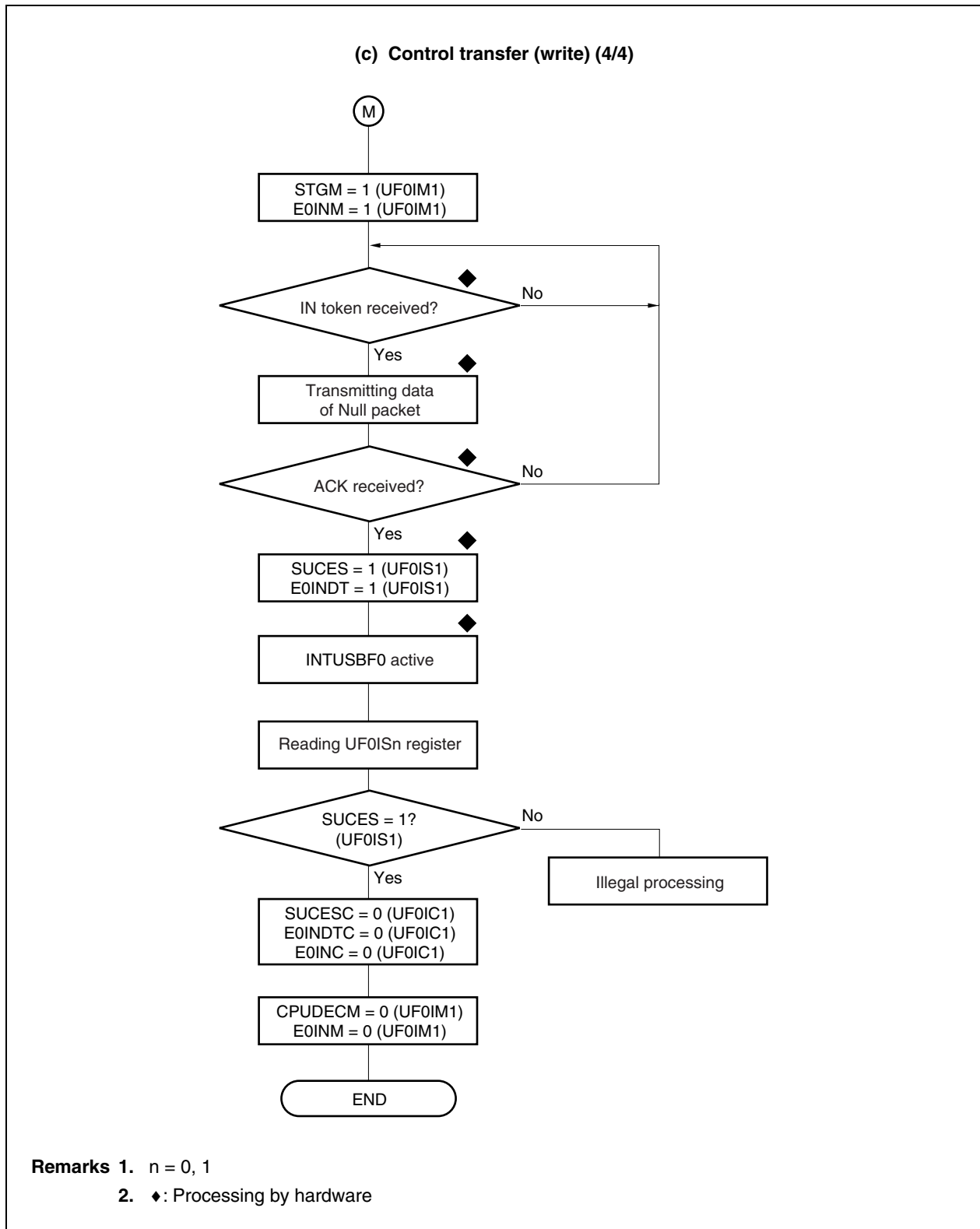


Figure 20-24. CPUDEC Request for Control Transfer (11/12)

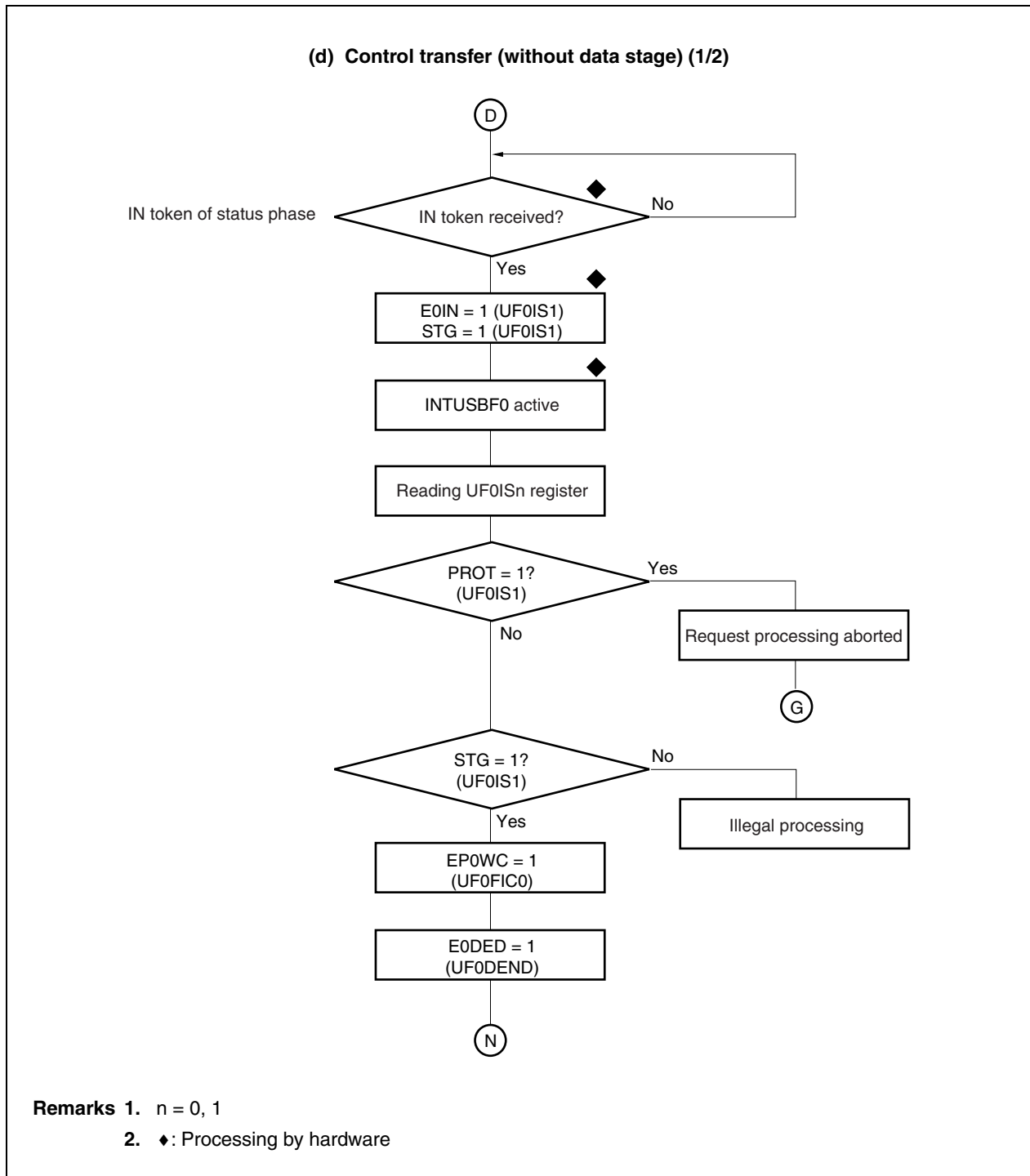
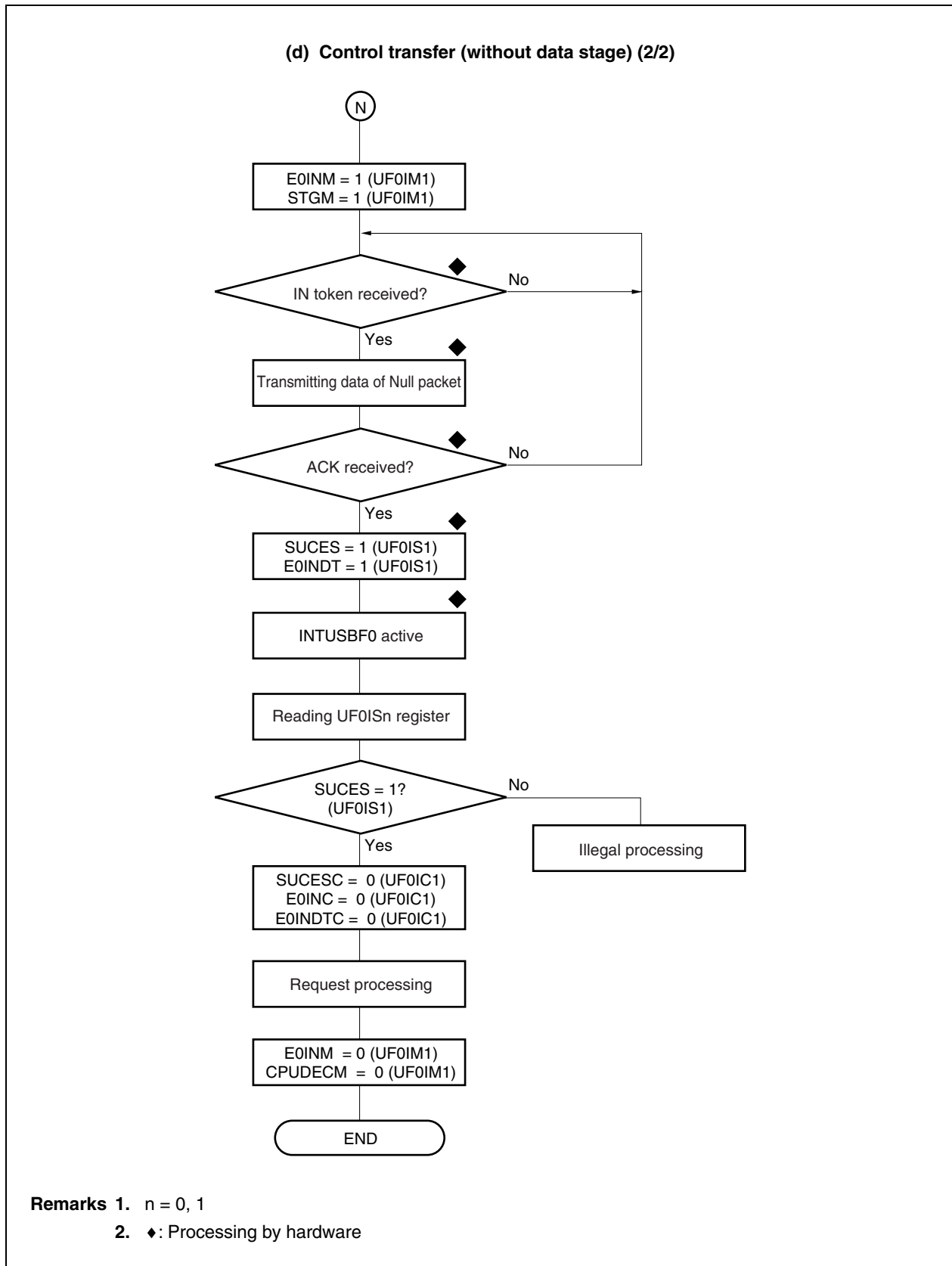


Figure 20-24. CPUDEC Request for Control Transfer (12/12)



(4) Processing for bulk transfer (IN)

Bulk transfer (IN) is allocated to Endpoint1 and Endpoint3. The flowchart shown below illustrates how Endpoint1 is controlled. Endpoint3 can also be controlled in the same sequence. To use this flowchart as the control flow of Endpoint3, therefore, read the bit names of Endpoint1 in the flowchart as those of Endpoint3.

Figure 20-25. Processing for Bulk Transfer (IN) (Endpoint1)

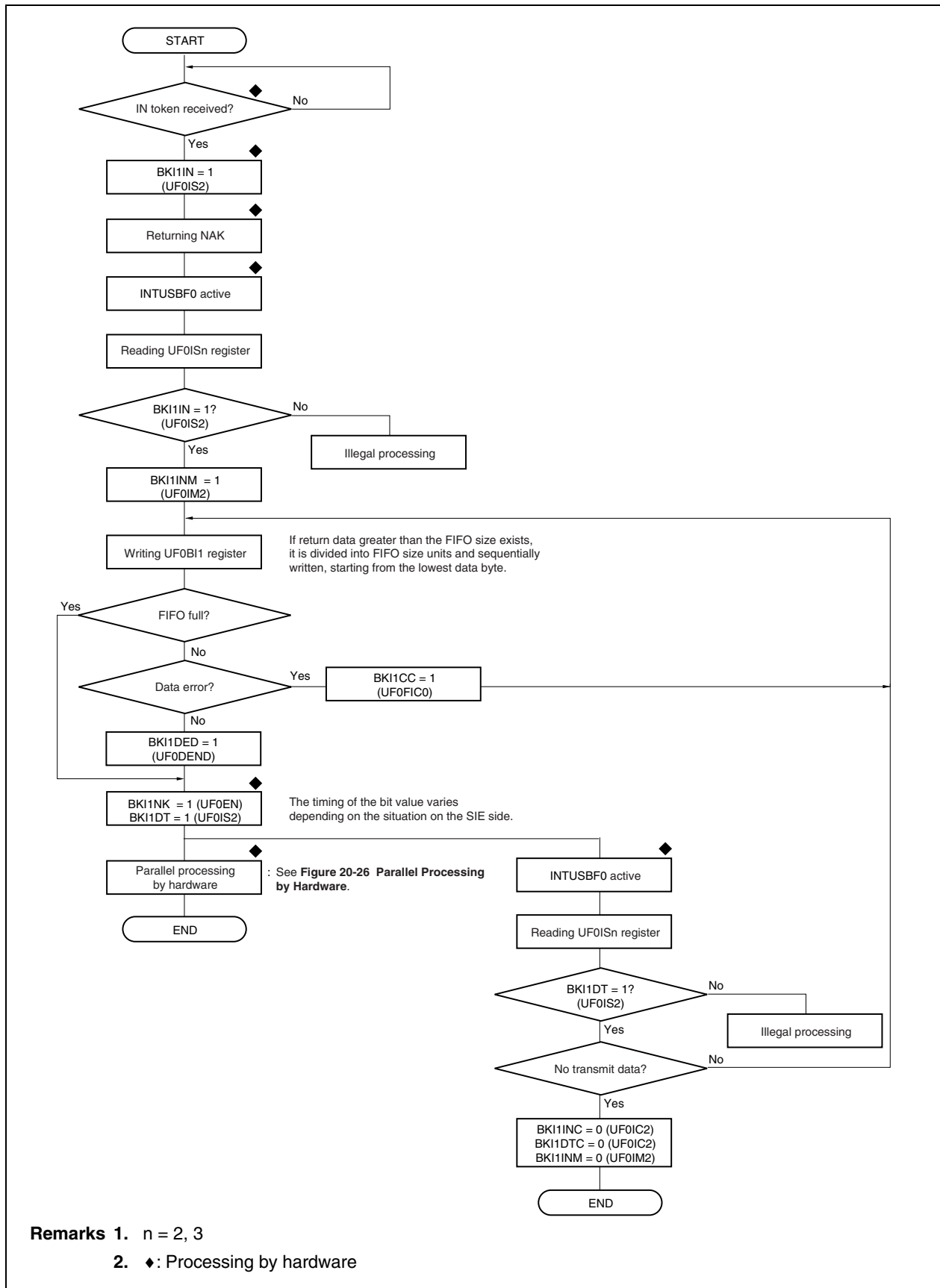
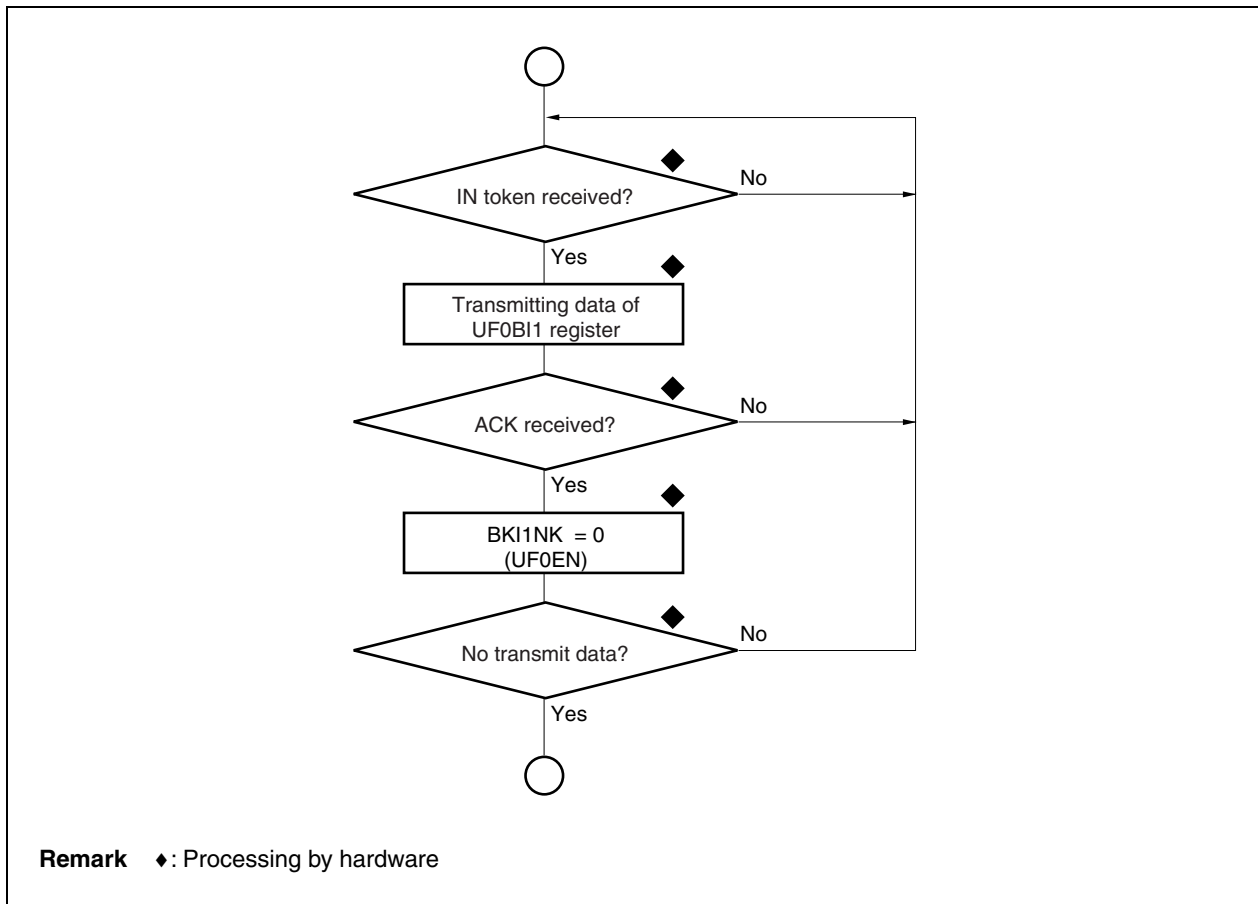


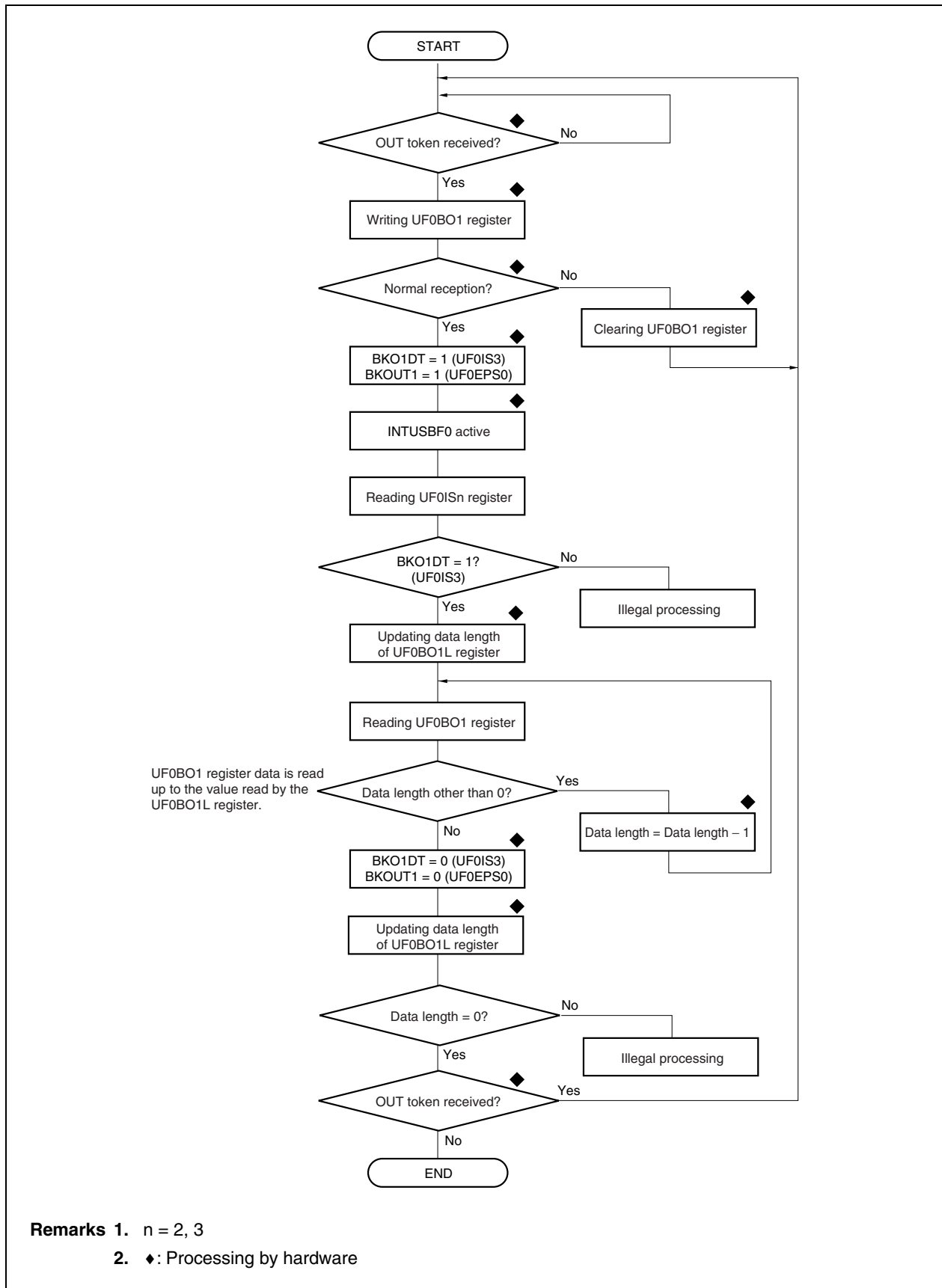
Figure 20-26. Parallel Processing by Hardware



(5) Processing for bulk transfer (OUT)

Bulk transfer (OUT) is allocated to Endpoint2 and Endpoint4. The flowchart shown below illustrates how Endpoint2 is controlled. Endpoint4 can also be controlled in the same sequence. To use this flowchart as the control flow of Endpoint4, therefore, read the bit names of Endpoint2 in the flowchart as those of Endpoint4.

Figure 20-27. Normal Processing for Bulk Transfer (OUT) (Endpoint2)



During bulk transfer (OUT), more data may be transmitted from the host than expected by the system. Endpoint2 and Endpoint4 for bulk transfer (OUT) of the V850ES/JG3-L consist of two 64-byte buffers so that NAK responses are suppressed as much as possible and data can be read from the CPU side even while the bus side is being accessed as the transfer rate of the USB bus increases. Consequently, if the host sends more data than expected by the system, up to 128 bytes of extra data may be automatically received in the worst case. In this case, change the control flow from that of the normal processing of Endpoint2 and Endpoint4 to the flow illustrated below when the quantity of data expected by the system has decreased to two packets. This flowchart illustrates how Endpoint2 is controlled. Endpoint4 can also be controlled in the same sequence. To use this flowchart as the control flow of Endpoint4, therefore, read the bit names of Endpoint2 in the flowchart as those of Endpoint4.

Figure 20-28. Processing If More Data Than Expected by System Is Transmitted (Endpoint2) (1/2)

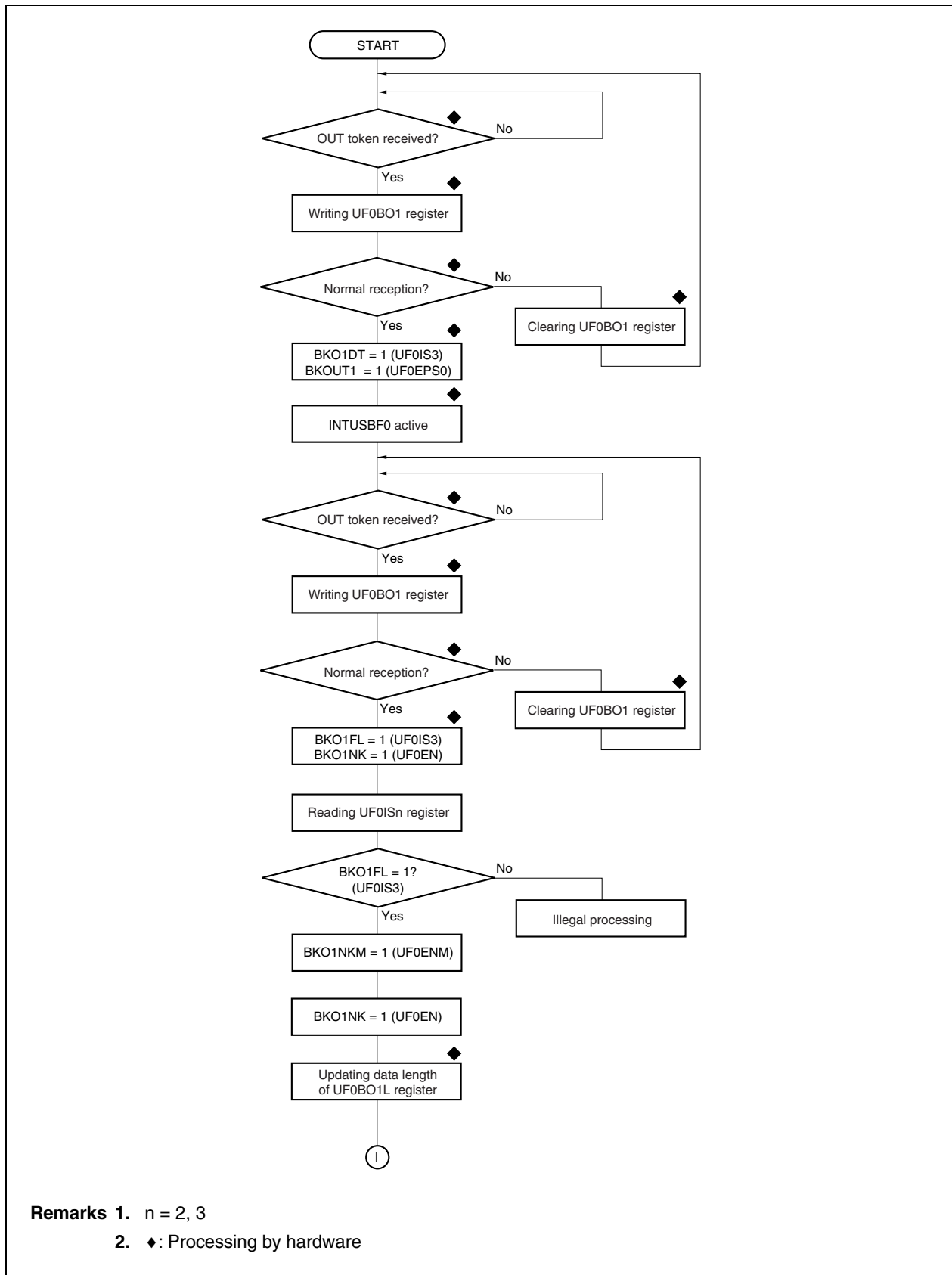
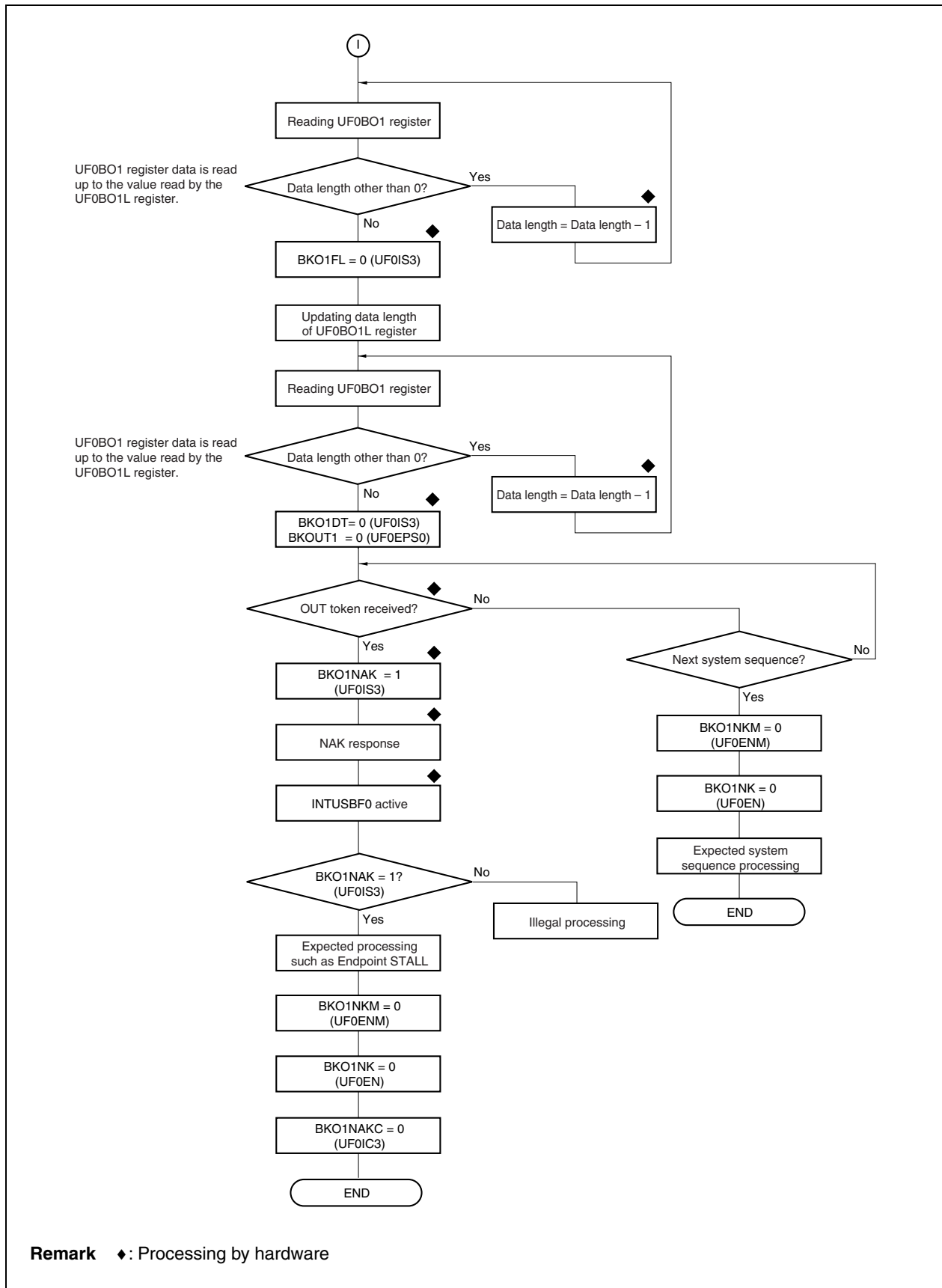


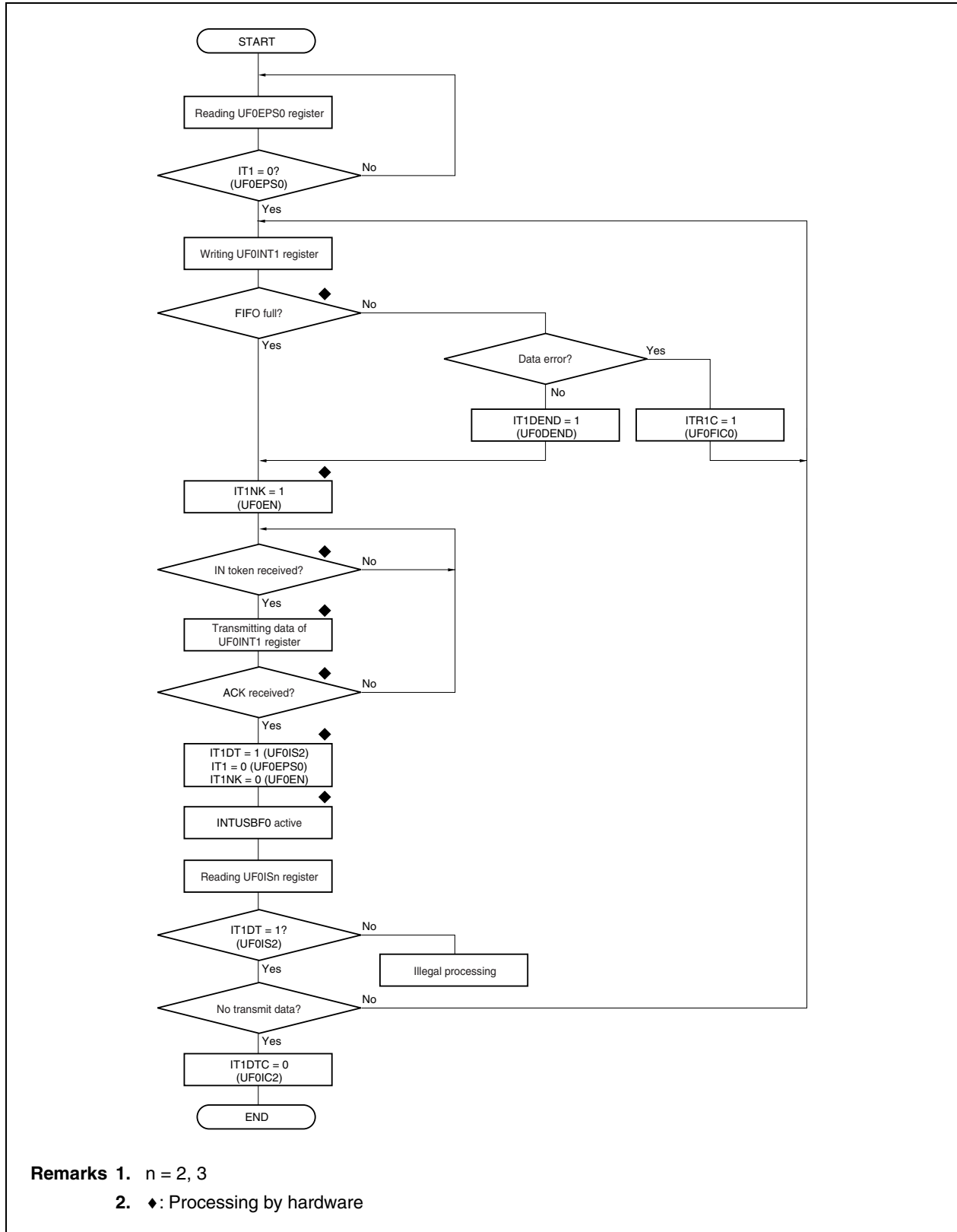
Figure 20-28. Processing If More Data Than Expected by System Is Transmitted (Endpoint2) (2/2)



(6) Processing for interrupt transfer (IN)

Interrupt transfer (IN) is allocated to Endpoint7. The flowchart is shown in **Figure 20-29**.

Figure 20-29. Processing for Interrupt Transfer (IN) (Endpoint7)



20.9.4 Suspend/Resume processing

How Suspend/Resume processing is performed differs depending on the configuration of the system. One example is given below.

Figure 20-30. Example of Suspend/Resume Processing (1/3)

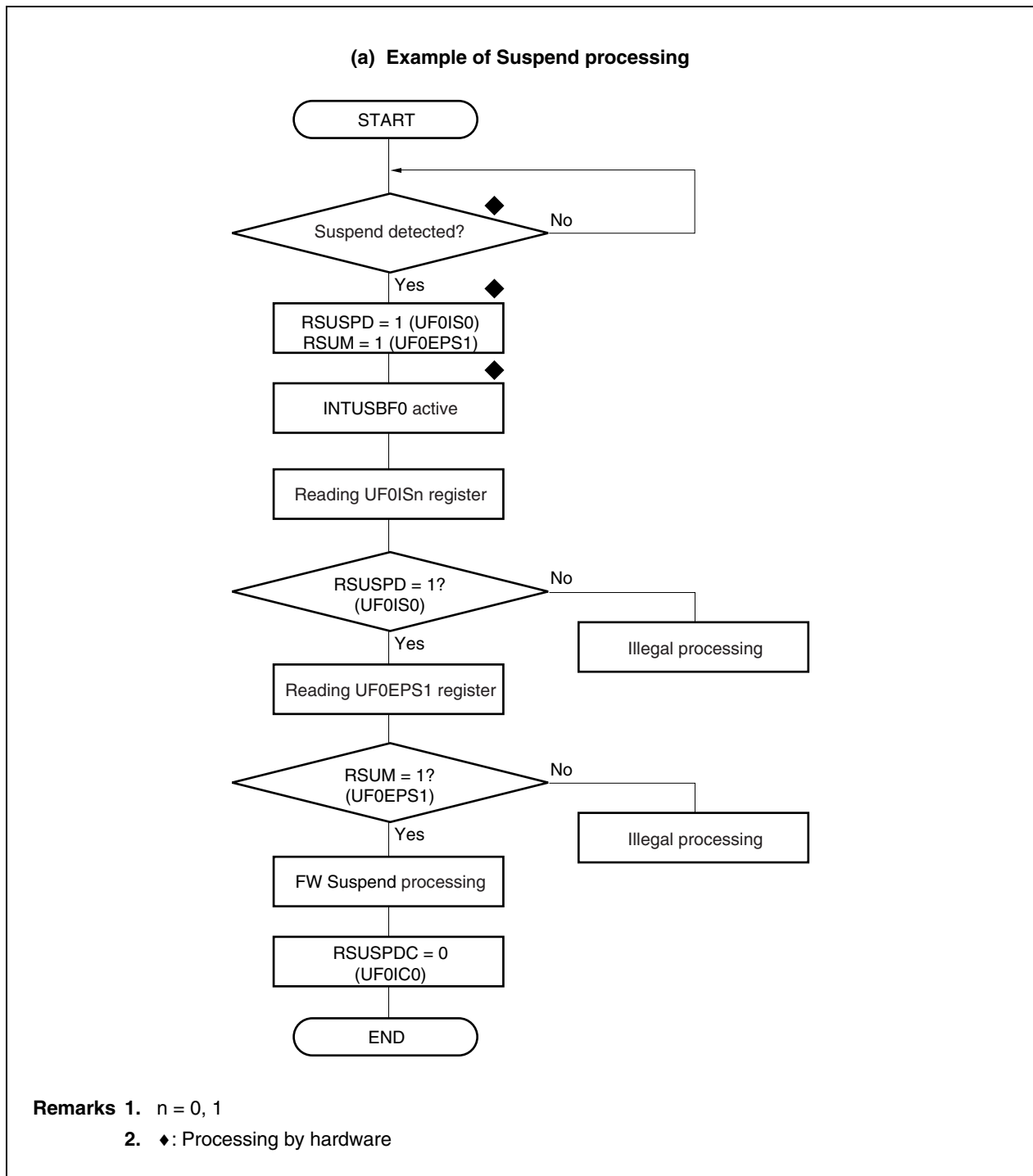


Figure 20-30. Example of Suspend/Resume Processing (2/3)

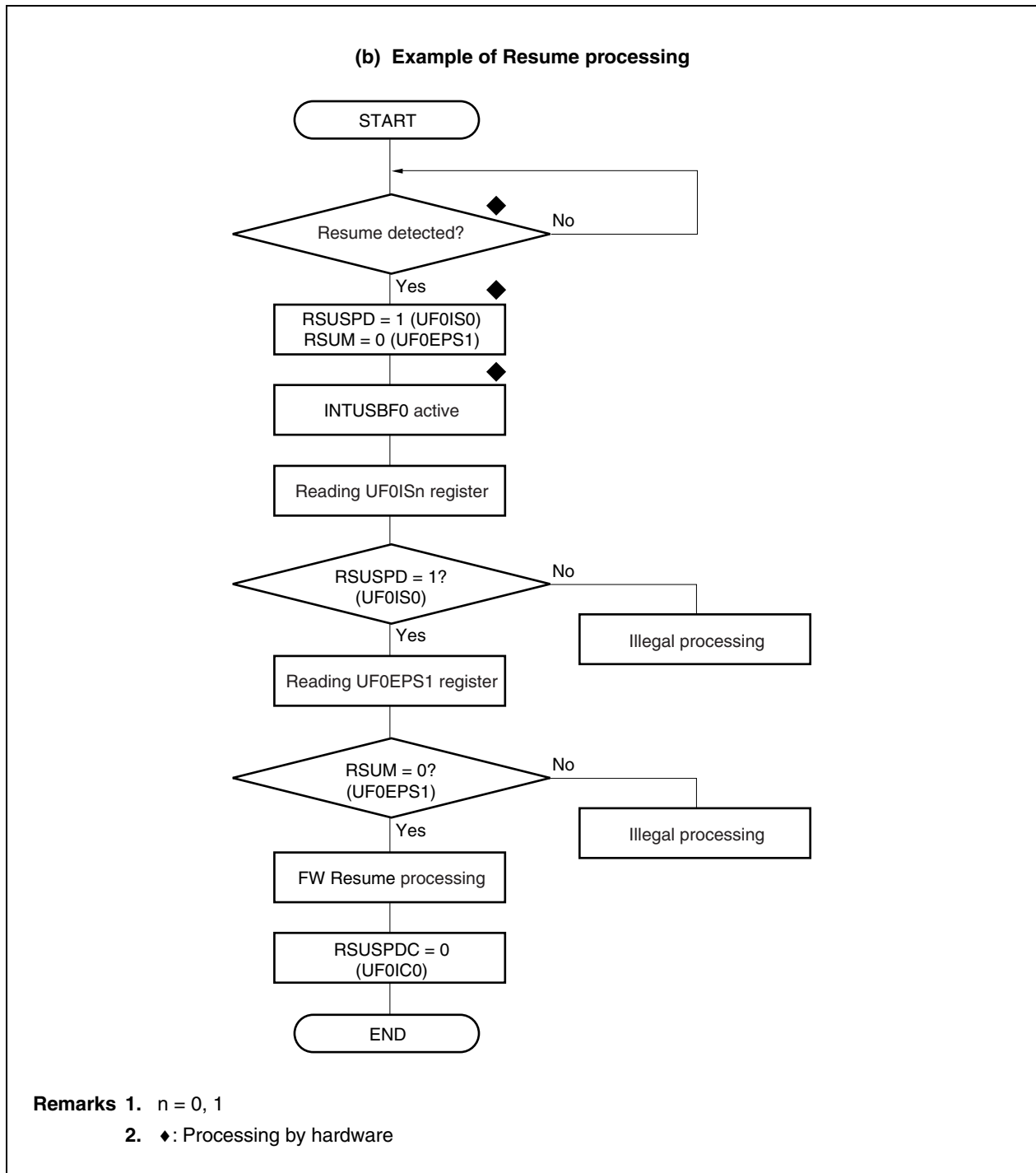
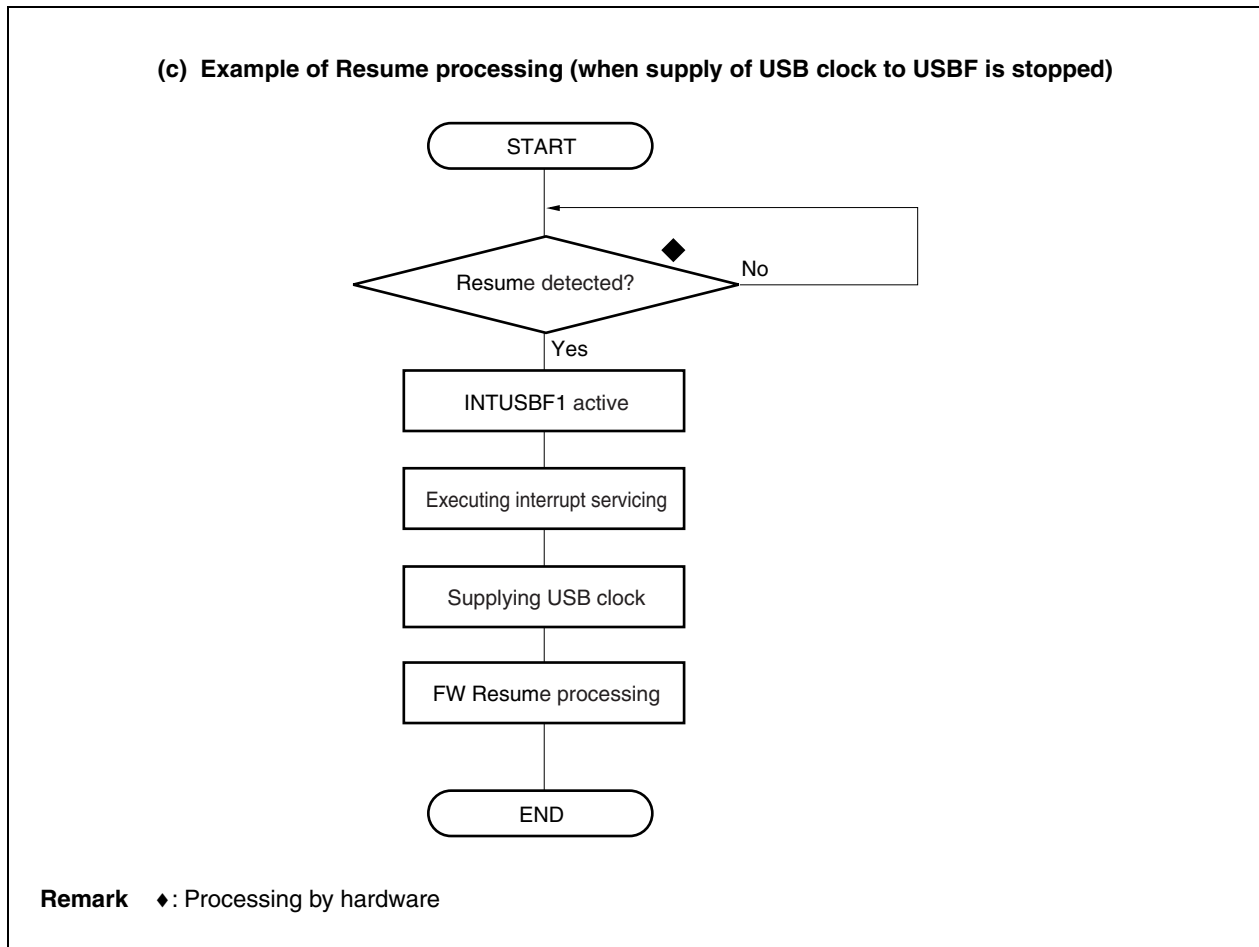


Figure 20-30. Example of Suspend/Resume Processing (3/3)



20.9.5 Processing after power application

The processing to be performed after power application differs depending on the configuration of the system. One example is given below.

Figure 20-31. Example of Processing After Power Application/Power Failure (1/3)

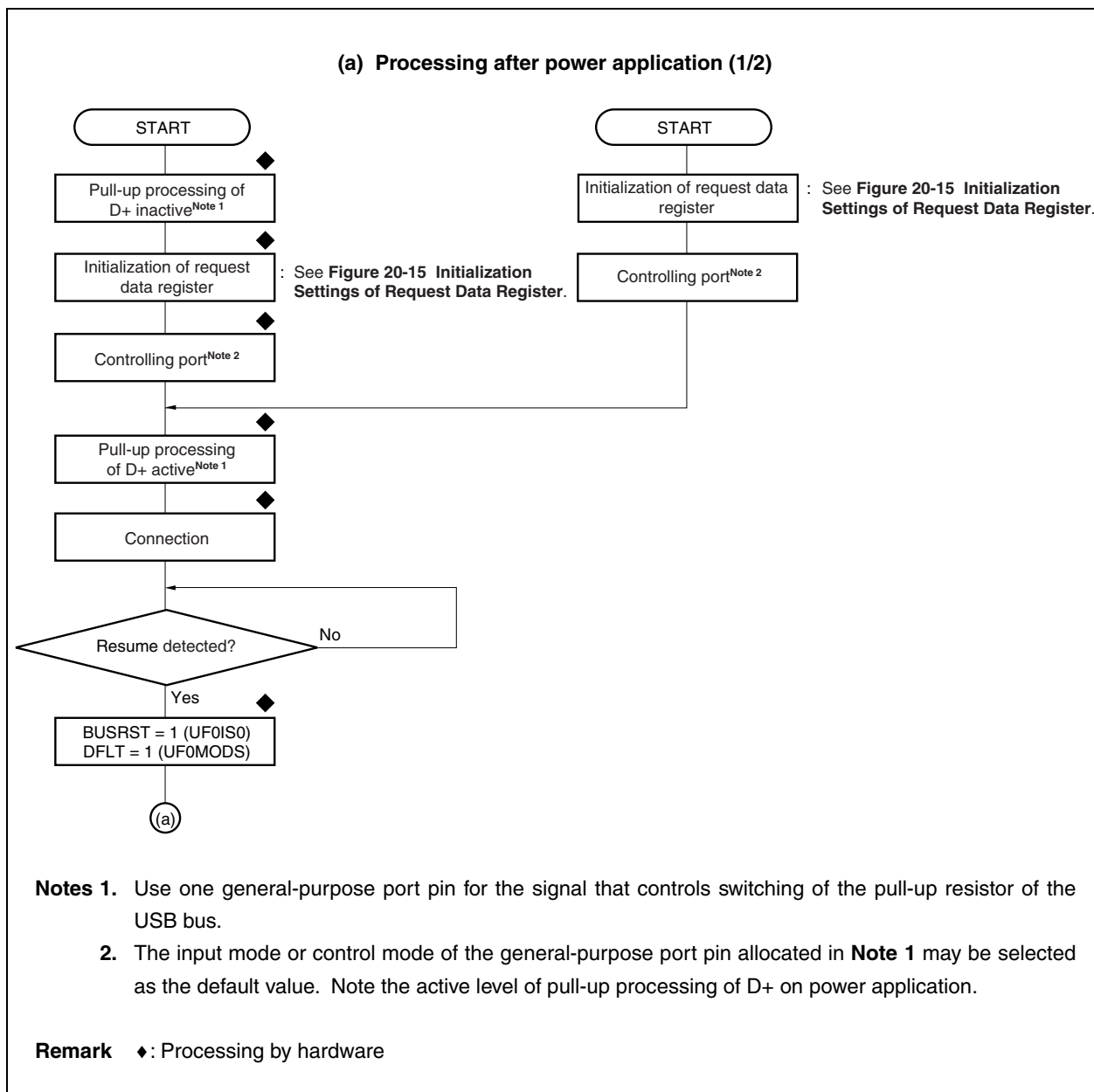


Figure 20-31. Example of Processing After Power Application/Power Failure (2/3)

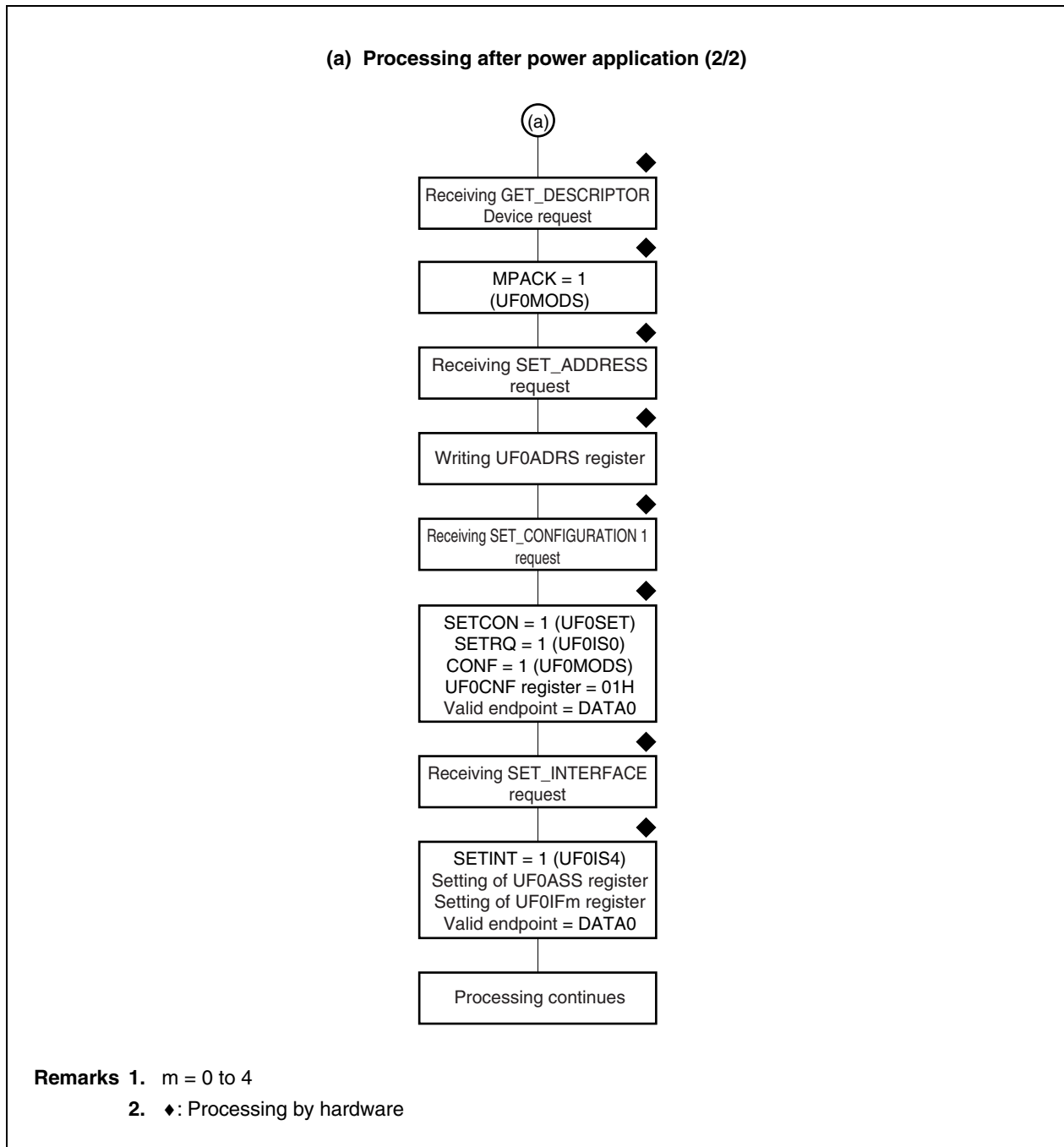
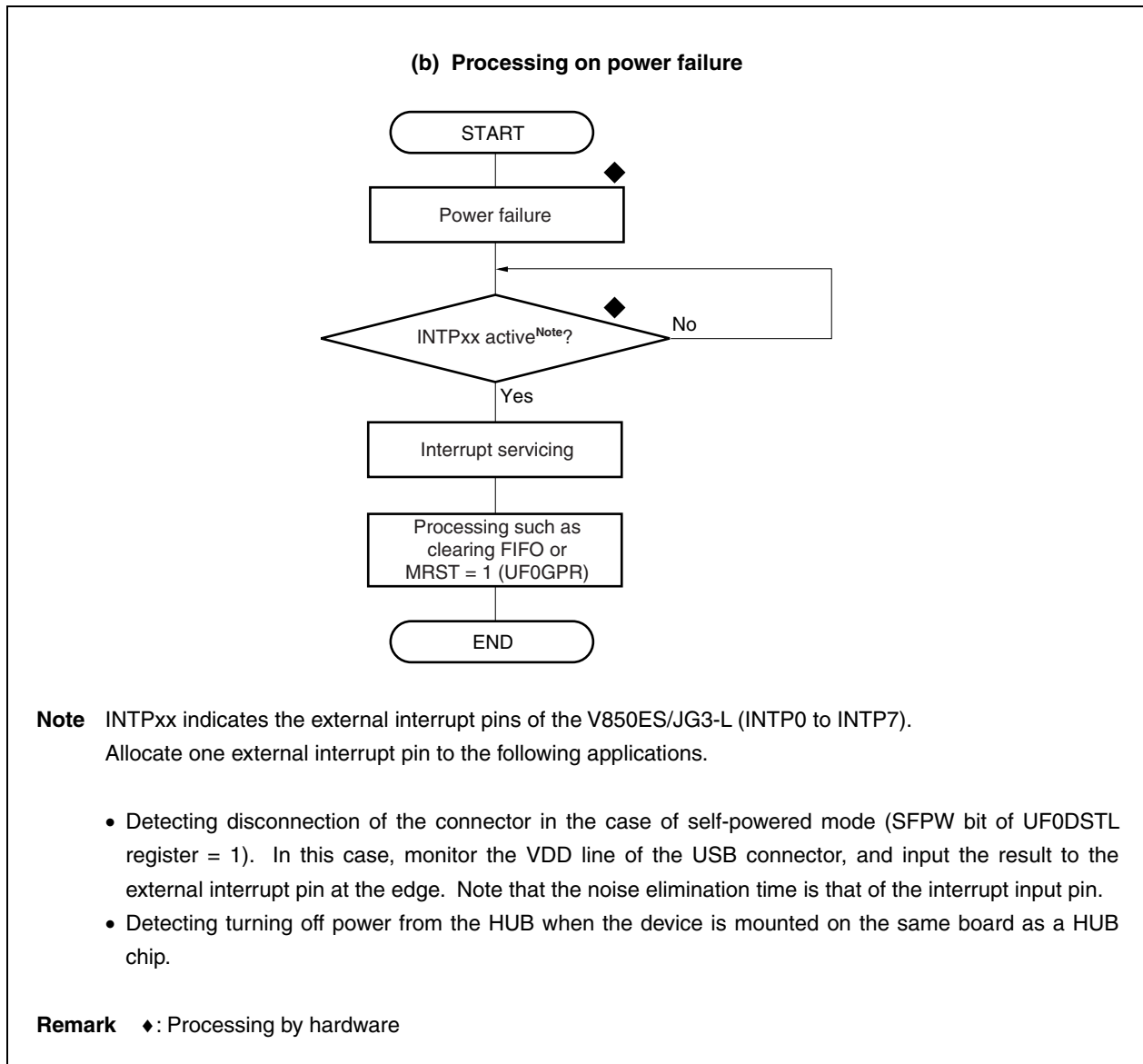


Figure 20-31. Example of Processing After Power Application/Power Failure (3/3)



20.9.6 Receiving data for bulk transfer (OUT) in DMA mode

Bulk transfer (OUT) is allocated to Endpoint2 and Endpoint4. The flowchart shown below illustrates how Endpoint2 is controlled when DMA is used. Endpoint4 can also be controlled in the same sequence. To use this flowchart as the control flow of Endpoint4, therefore, read the bit names of Endpoint2 in the flowchart as those of Endpoint4. The control flowchart shown below illustrates how remaining data is read by the CPU.

If data for bulk transfer (OUT) has been correctly received by setting the DQBO1MS bit of the UF0IDR register to 1, the DMA request signal for Endpoint2, instead of an interrupt request (INTUSBF0), becomes active. This DMA request signal for Endpoint2 operates according to the setting of the MODEn bit of the UF0IDR register (n = 0, 1). If all the data stored in the UF0BO1 register has been read by DMA, the DMA request signal for Endpoint2 becomes inactive. In this status, if data for the next bulk transfer (OUT) has been correctly received, the DMA request signal for Endpoint2 becomes active again. If the data for bulk transfer (OUT) that has been received is equal to or less than the FIFO size, a Short interrupt request is issued and the INTUSBF0 (EP2_ENDINT) signal becomes active, as soon as reading the data by DMA is completed. To read data by DMA again, set the DQBO1MS bit to 1 again. If DMA is completed by the DMA end signal for Endpoint2, the DQBO1MS bit of the UF0IDR register is cleared to 0, and the DMA request signal for Endpoint2 becomes inactive. At the same time, the DMA_END interrupt request is issued. If data remains in the UF0BO1 register at this time, DMA can be started again by setting the DQBO1MS bit of the UF0IDR register again. However, the data for bulk transfer (OUT) is always equal to or less than the FIFO size. Consequently, a Short interrupt request is issued, the INTUSBF0 (EP2_ENDINT) signal becomes active, the DQBO1MS bit is cleared, and the DMA request signal for Endpoint2 becomes inactive, as soon as the data is read by DMA.

- Cautions**
- 1. The DMA request signal for Endpoint n (n = 2, 4) becomes active in the demand mode (MODE1 and MODE0 bits of the UF0IDR register = 10), as long as there is data to be transferred.**
 - 2. For a DMA transfer for which the data for a bulk transfer (OUT) is a Short packet (63 bytes or less), after the transfer finishes, clear the UF0IC0.SHORTC and UF0IS0.SHORT bits.
If the SHORT bits are not cleared, the DMASTOP_EPnB signal is asserted and the next DMA transfer operation is not performed.**

(1) Initial settings for a bulk transfer (OUT: EP2, EP4)**(a) Initial settings for DMAC**

- The DSAn registers (n = 0 to 3) are set to 00210000H (for EP2) or 00220000H (for EP4).
- The DADCn registers (n = 0 to 3) are set to 0080H.
(8-bit transfer, transfer source address: fixed, transfer destination address: incremental)
- The DTFRn registers (n = 0 to 3) are set to 0000H.
- The UFDRQEN register is set up according to the DMA channel to be used.
(For details, see 20.6.10 (1) USBF DMA request enable register (UFDRQEN).)

(b) Initial settings for EPC

- The UF0IDR register is set to 12H (for EP2) or 22H (for EP4) (demand mode).
- The UF0IM0.DMAEDM bit = 0
- The UF0IM3.BKO1NLM bit = 0 (for EP2)
- The UF0IM3.BKO1DTM bit = 0 (for EP2)
- The UF0IM3.BKO2NLM bit = 0 (for EP4)
- The UF0IM3.BKO2DTM bit = 0 (for EP4)

Figure 20-32. DMA Processing by Bulk Transfer (OUT) (1/3)

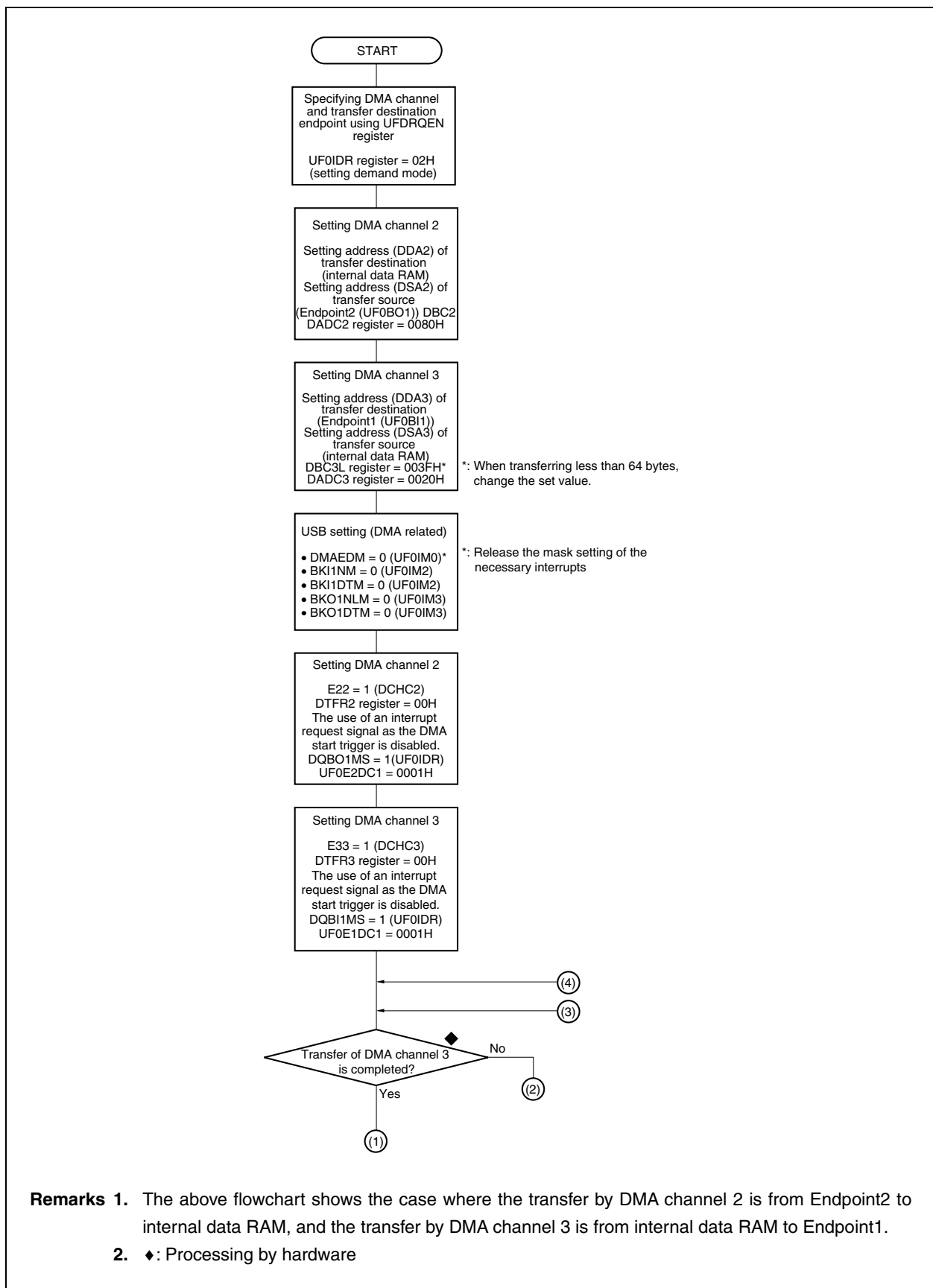


Figure 20-32. DMA Processing by Bulk Transfer (OUT) (2/3)

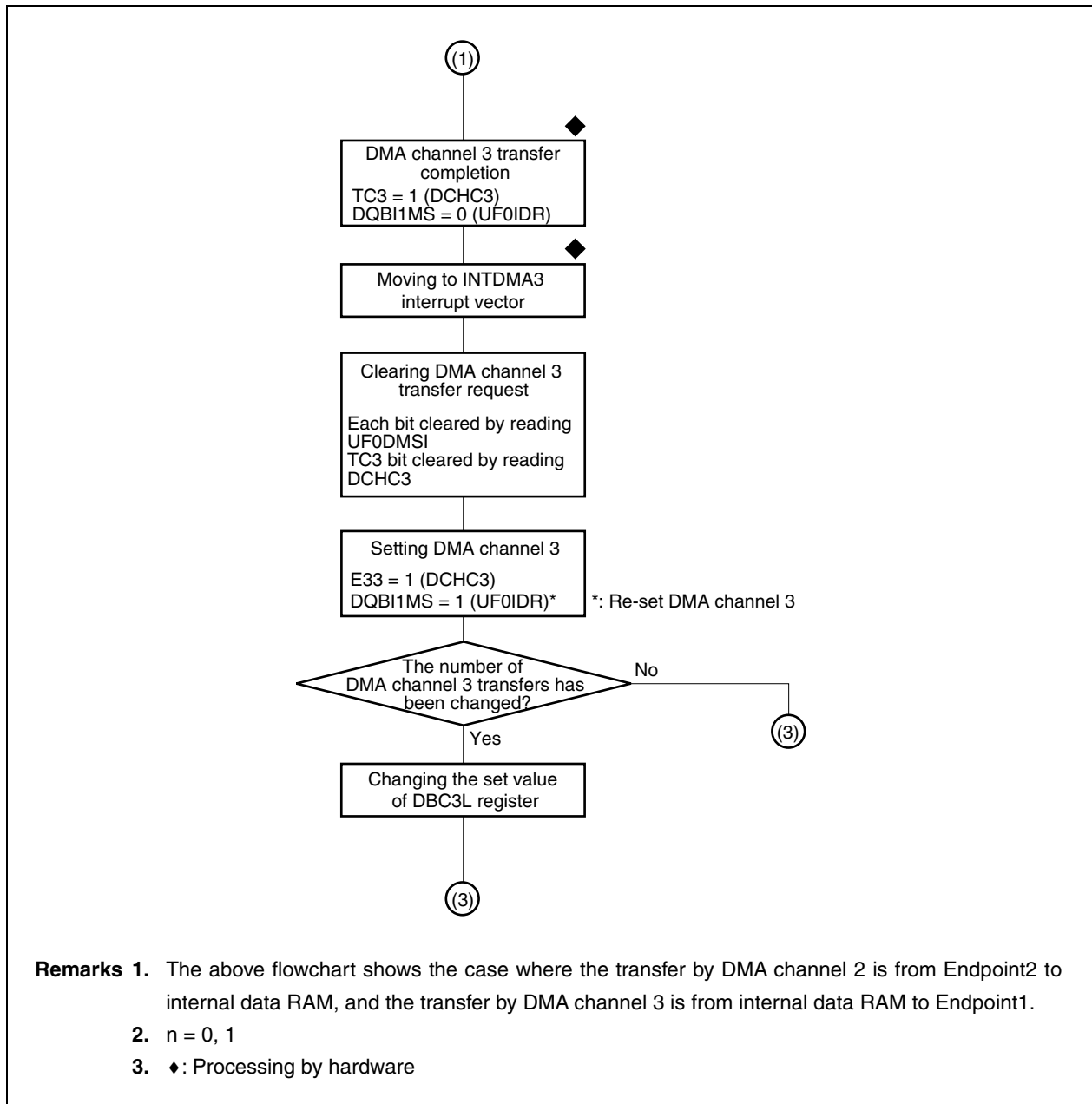
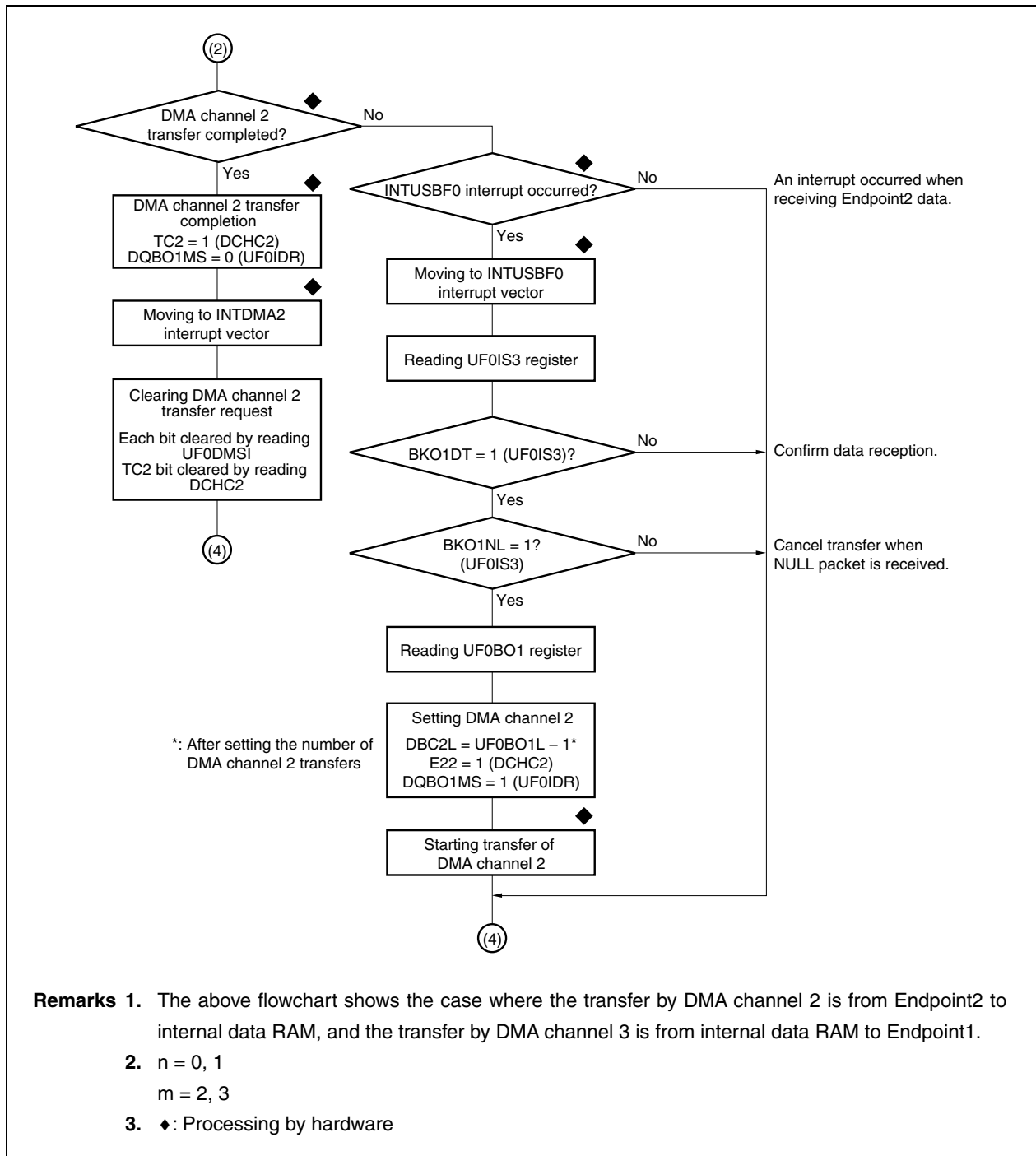


Figure 20-32. DMA Processing by Bulk Transfer (OUT) (3/3)



20.9.7 Transmitting data for bulk transfer (IN) in DMA mode

Bulk transfer (IN) is allocated to Endpoint1 and Endpoint3. The flowchart shown below illustrates how Endpoint1 is controlled when DMA is used. Endpoint3 can also be controlled in the same sequence. To use this flowchart as the control flow of Endpoint3, therefore, read the bit names of Endpoint1 in the flowchart as those of Endpoint3.

If data for bulk transfer (IN) can be written by setting the DQB11MS bit of the UF0IDR register to 1, the DMA request signal for Endpoint1, instead of an interrupt request (INTUSBF0), becomes active. This DMA request signal for Endpoint1 operates according to the setting of the MODEn bit of the UF0IDR register (n = 0, 1). If all the data that can be written to the UF0B11 register has been written by DMA, the DMA request signal for Endpoint1 becomes inactive. In this status, the toggle operation of the FIFO takes place and, if data for bulk transfer (IN) can be written, the DMA request signal for Endpoint1 becomes active again. The automatic toggle operation of the FIFO is not executed even if the FIFO has become full as a result of DMA transfer, unless the BK11T bit of the UF0DEND register is set to 1. Therefore, be sure to set the BK11DED bit of the UF0DEND register to 1 to transfer data. If DMA is completed by the DMA end signal for Endpoint1, the DQB11MS bit of the UF0IDR register is cleared to 0, and the DMA request signal for Endpoint1 becomes inactive. At the same time, the DMA_END interrupt request is issued. To transmit a short packet at this time when the FIFO is not full, set the BK11DED bit of the UF0DEND register to 1.

Caution The DMA request signal for Endpoint n (n = 1, 3) becomes active in the demand mode (MODE1 and MODE0 bits of the UF0IDR register = 10), as long as data can be transferred.

(1) Initial settings for a bulk transfer (IN: EP1, EP3)

(a) Initial settings for DMAC

- The DSAn registers (n = 0 to 3) are set to 00201000H (for EP1) or 00202000H (for EP3).
- The DADCn registers (n = 0 to 3) are set to 0020H.
(8-bit transfer, transfer source address: incremental, transfer destination address: fixed)
- The DTFRn registers (n = 0 to 3) are set to 0000H.
- The UFDRQEN register is set up according to the DMA channel to be used.
(For details, see 20.6.10 (1) USBF DMA request enable register (UFDRQEN).)

(b) Initial settings for EPC

- The UF0IDR register is set to 42H (for EP1) or 82H (for EP3) (demand mode).
- The UF0IM0.DMAEDM bit = 0
- The UF0IM2.BK11NLM bit = 0 (for EP1)
- The UF0IM2.BK11DTM bit = 0 (for EP1)
- The UF0IM2.BK12NLM bit = 0 (for EP3)
- The UF0IM2.BK12DTM bit = 0 (for EP3)

Figure 20-33. DMA Processing by Bulk Transfer (IN) (1/4)

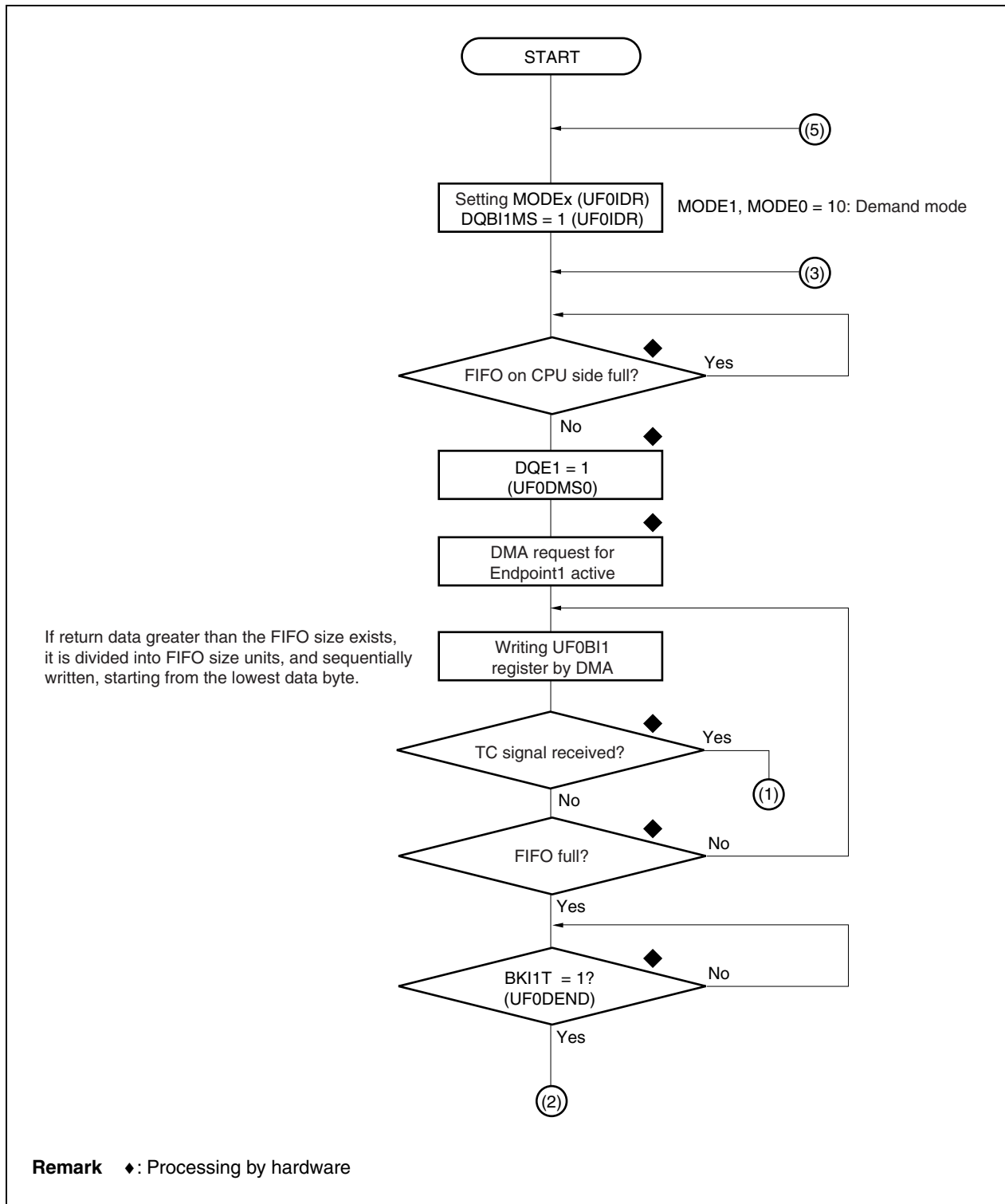


Figure 20-33. DMA Processing by Bulk Transfer (IN) (2/4)

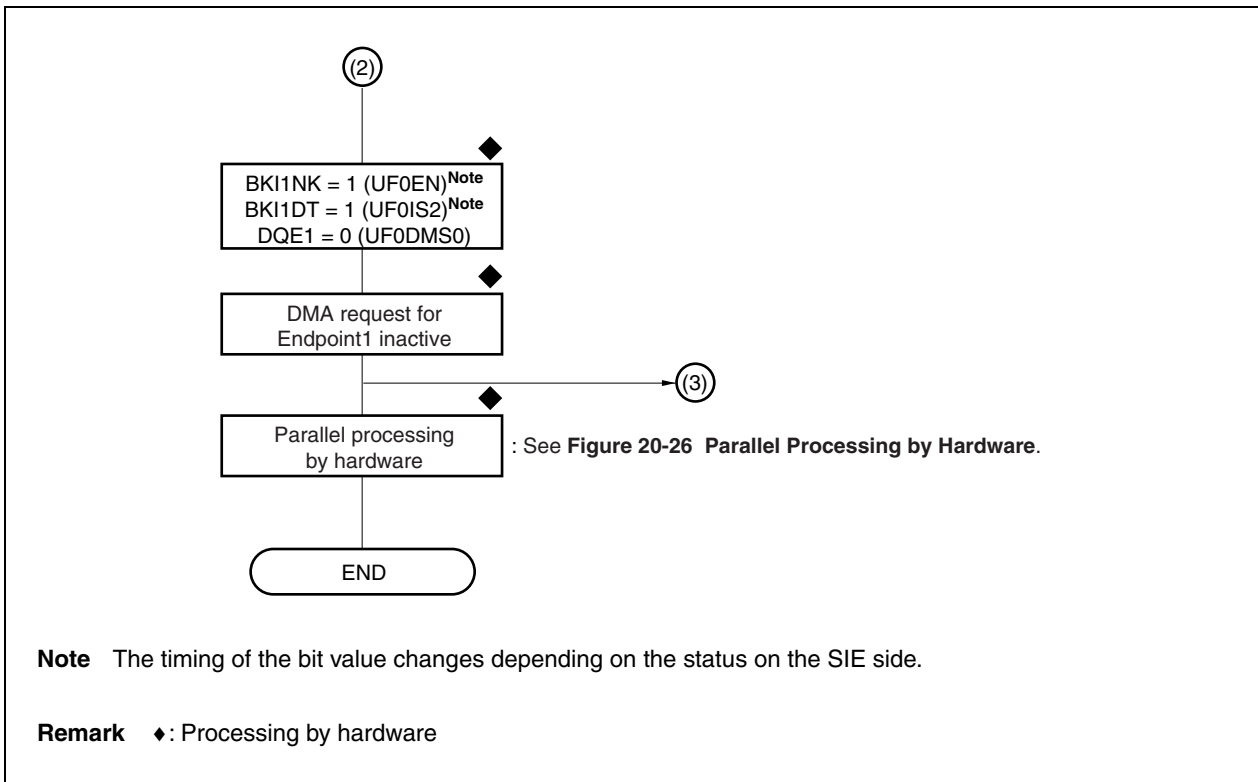


Figure 20-33. DMA Processing by Bulk Transfer (IN) (3/4)

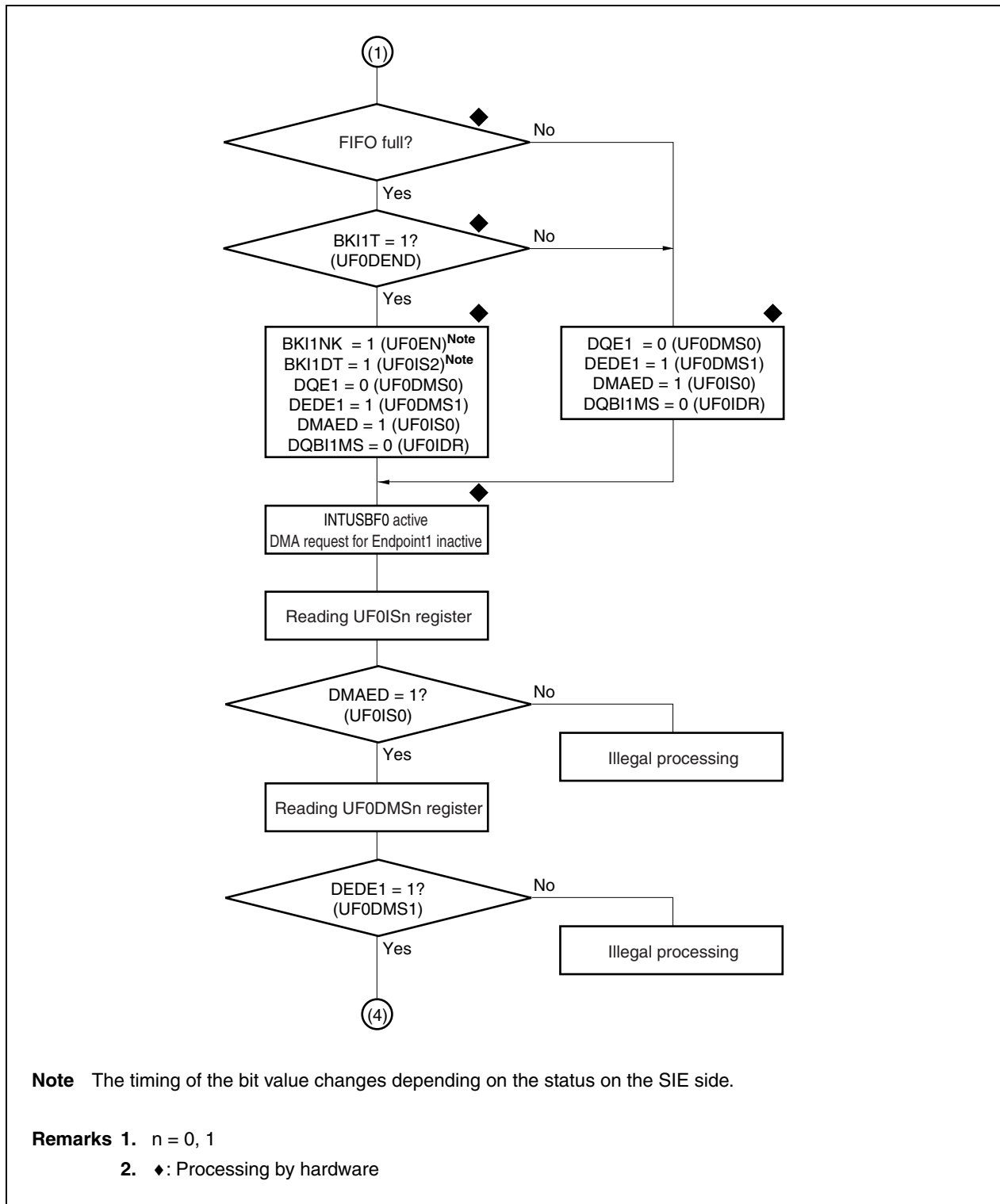
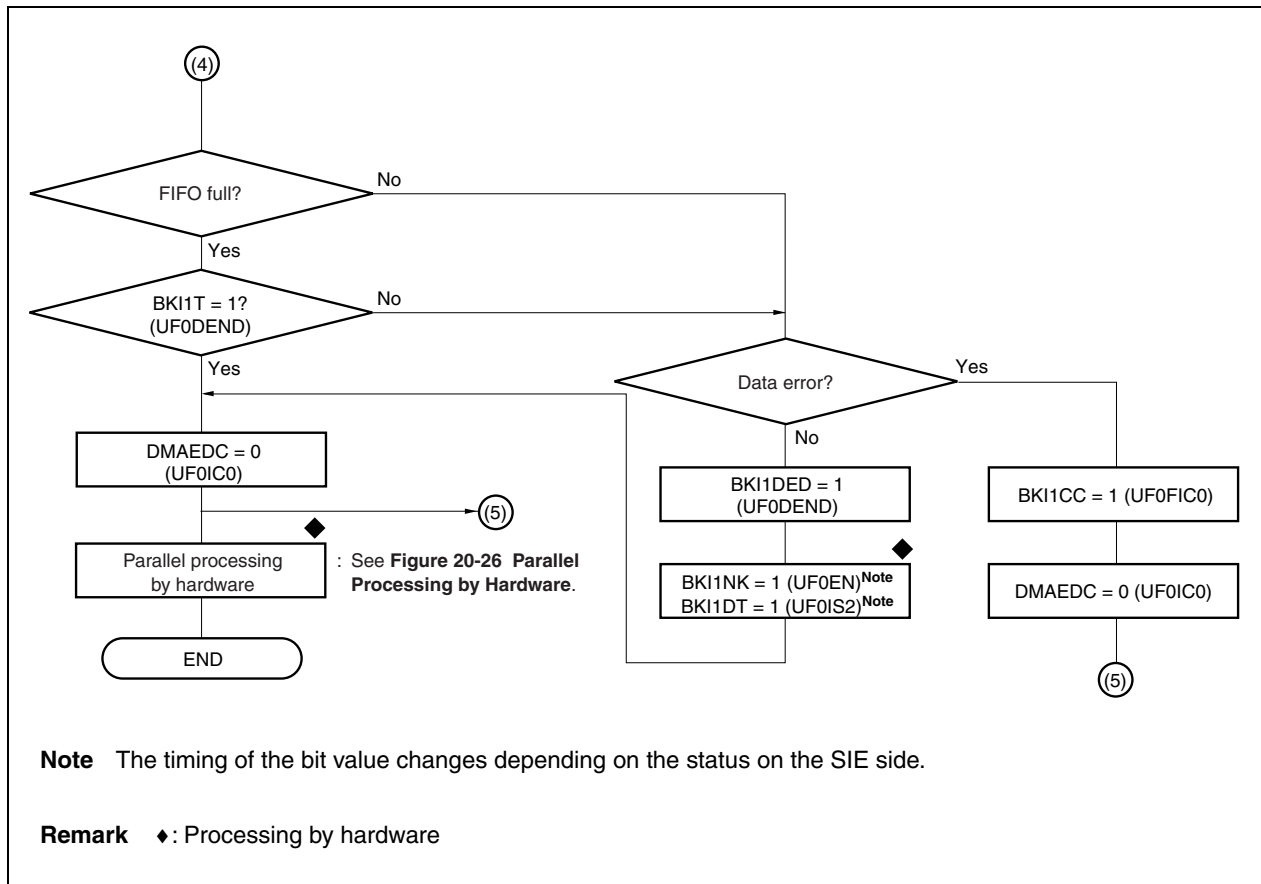


Figure 20-33 DMA Processing by Bulk Transfer (IN) (4/4)



CHAPTER 21 DMA FUNCTION (DMA CONTROLLER)

The V850ES/JG3-L includes a direct memory access (DMA) controller (DMAC) that executes and controls DMA transfer.

The DMAC controls data transfer between memory and I/Os, between memories, or between I/Os based on DMA requests issued by on-chip peripheral I/O (serial interfaces, timer/counters, and A/D converter), interrupts from external input pins, or software triggers (memory refers to internal RAM or external memory).

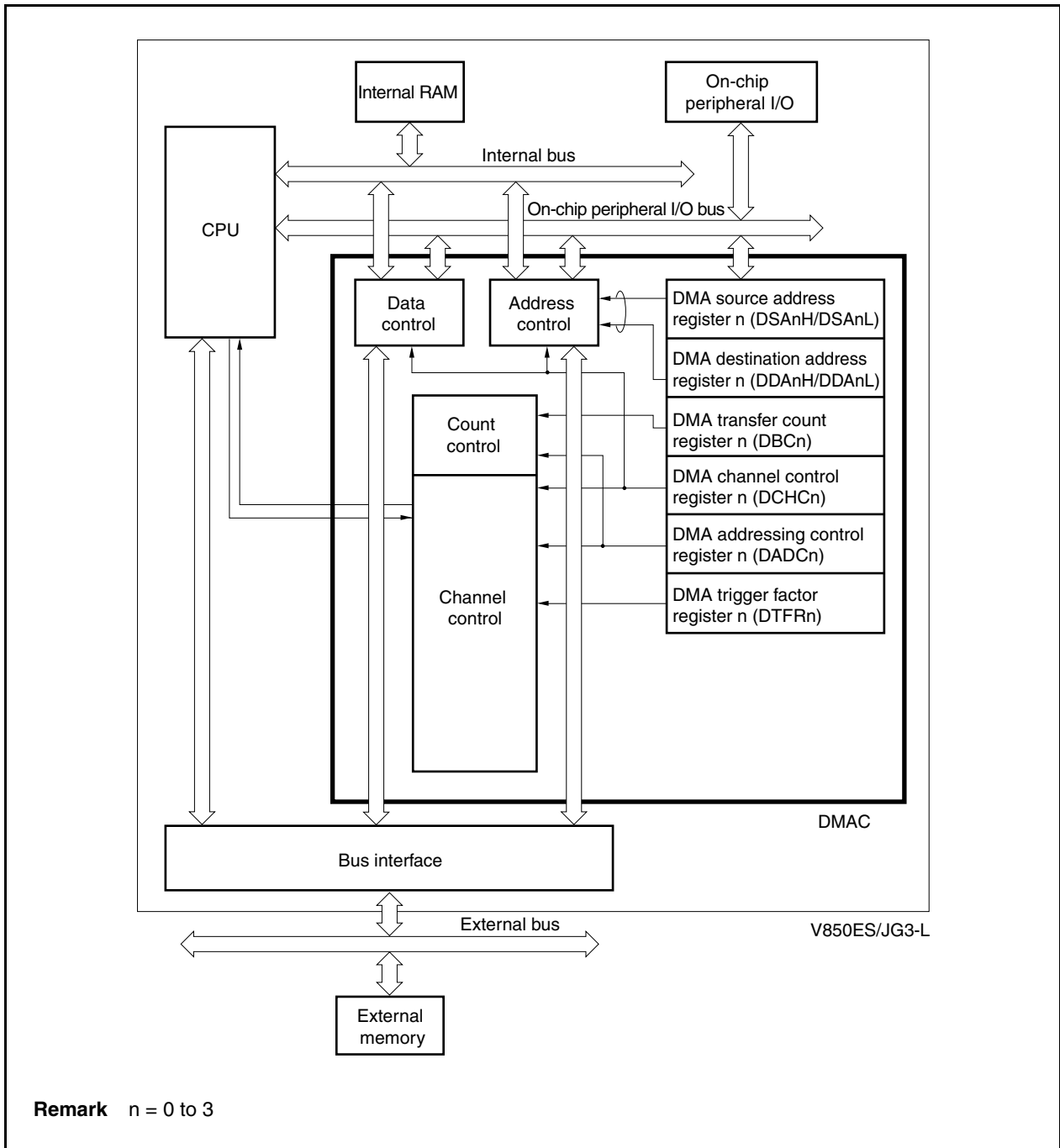
21.1 Features

- 4 independent DMA channels
- Transfer unit: 8/16 bits
- Maximum transfer count: 65,536 (2^{16})
- Program execution using internal ROM during DMA transfer
- Transfer type: Two-cycle transfer
 - Data transfer between buses that have different bus widths
- Transfer mode: Single transfer mode
- Transfer requests
 - Request by interrupts from on-chip peripheral I/Os (serial interfaces, timer/counters, A/D converter) or interrupts from external input pin
 - Requests triggered by software
- Transfer sources and destinations
 - Internal RAM ↔ On-chip peripheral I/O
 - On-chip peripheral I/O ↔ On-chip peripheral I/O
 - Internal RAM ↔ External memory
 - External memory ↔ On-chip peripheral I/O
 - External memory ↔ External memory

21.2 Configuration

The block diagram of the DMAC is shown below.

Figure 21-1. Block Diagram of DMAC



The DMAC includes the following hardware.

Table 21-1. Configuration of DMAC

Item	Configuration
Registers	DMA source address registers 0 to 3 (DSA0 to DSA3) DMA destination address registers 0 to 3 (DDA0 to DDA3) DMA transfer count register 0 to 3 (DBC0 to DBC3) DMA addressing control registers 0 to 3 (DADC0 to DADC3) DMA channel control registers 0 to 3 (DCHC0 to DCHC3) DMA trigger factor registers 0 to 3 (DTFR0 to DTFR3)

21.3 Registers

(1) DMA source address registers 0 to 3 (DSA0 to DSA3)

The DSA0 to DSA3 registers set the DMA source addresses (26 bits each) for DMA channel n ($n = 0$ to 3).

These registers are divided into two 16-bit registers, DSAnH and DSAnL.

These registers can be read or written in 16-bit units.

After reset: Undefined R/W Address: DSA0H FFFFF082H, DSA1H FFFFF08AH,
 DSA2H FFFFF092H, DSA3H FFFFF09AH,
 DSA0L FFFFF080H, DSA1L FFFFF088H,
 DSA2L FFFFF090H, DSA3L FFFFF098H

	15	14	13	12	11	10	9	8	7	6	5	4	3	2	1	0
DSAnH ($n = 0$ to 3)	IR	0	0	0	0	0	SA25	SA24	SA23	SA22	SA21	SA20	SA19	SA18	SA17	SA16
	15	14	13	12	11	10	9	8	7	6	5	4	3	2	1	0
DSAnL ($n = 0$ to 3)	SA15	SA14	SA13	SA12	SA11	SA10	SA9	SA8	SA7	SA6	SA5	SA4	SA3	SA2	SA1	SA0

IR	Specification of DMA transfer source
0	External memory or on-chip peripheral I/O
1	Internal RAM

SA25 to SA16	Set the address (A25 to A16) of the DMA transfer source (the default value is undefined). During DMA transfer, the next DMA transfer source address is held. When DMA transfer is completed, the DMA address set first is held.
--------------	---

SA15 to SA0	Set the address (A15 to A0) of the DMA transfer source (the default value is undefined). During DMA transfer, the next DMA transfer source address is held. When DMA transfer is completed, the DMA address set first is held.
-------------	--

- Cautions**
- Be sure to clear bits 14 to 10 of the DSAnH register to 0.
 - Set the DSAnH and DSAnL registers during one of the following periods in which DMA transfer is disabled (DCHCn.Enn bit = 0).
 - Period from after reset to start of first DMA transfer
 - Period from after channel initialization by DCHCn.INITn bit to start of DMA transfer
 - Period from after completion of DMA transfer (DCHCn.TCn bit = 1) to start of the next DMA transfer
 - When the value of the DSAn register is read, two 16-bit registers, DSAnH and DSAnL, are read. If reading and updating conflict, the value being updated may be read (see 21.13 Cautions).
 - DMA transfer of misaligned 16-bit data with is not supported.
If an odd address is specified as the transfer source, the least significant bit of the address is forcibly handled as being 0.
 - Following a reset, set the DSAnH, DSAnL, DDAnH, DDAnL, and DBCn registers before starting DMA transfer. If these registers are not set, DMA transfers are not guaranteed.

(2) DMA destination address registers 0 to 3 (DDA0 to DDA3)

The DDA0 to DDA3 registers set the DMA destination address (26 bits each) for DMA channel n (n = 0 to 3). These registers are divided into two 16-bit registers, DDAnH and DDAnL.

These registers can be read or written in 16-bit units.

After reset: Undefined R/W Address: DDA0H FFFFF086H, DDA1H FFFFF08EH,
 DA2H FFFFF096H, DDA3H FFFFF09EH,
 DDA0L FFFFF084H, DDA1L FFFFF08CH,
 DDA2L FFFFF094H, DDA3L FFFFF09CH

	15	14	13	12	11	10	9	8	7	6	5	4	3	2	1	0
DDAnH (n = 0 to 3)	IR	0	0	0	0	0	DA25	DA24	DA23	DA22	DA21	DA20	DA19	DA18	DA17	DA16

	15	14	13	12	11	10	9	8	7	6	5	4	3	2	1	0
DDAnL (n = 0 to 3)	DA15	DA14	DA13	DA12	DA11	DA10	DA9	DA8	DA7	DA6	DA5	DA4	DA3	DA2	DA1	DA0

IR	Specification of DMA transfer destination
0	External memory or on-chip peripheral I/O
1	Internal RAM

DA25 to DA16	Set the address (A25 to A16) of the DMA transfer destination (the default value is undefined). During DMA transfer, the next DMA transfer destination address is held. When DMA transfer is completed, the DMA transfer source address set first is held.
--------------	--

DA15 to DA0	Set the address (A15 to A0) of the DMA transfer destination (the default value is undefined). During DMA transfer, the next DMA transfer destination address is held. When DMA transfer is completed, the DMA transfer source address set first is held.
-------------	---

Cautions

1. Be sure to clear bits 14 to 10 of the DDAnH register to 0.
2. Set the DDAnH and DDAnL registers during one of the following periods in which DMA transfer is disabled (DCHCn.Enn bit = 0).
 - Period from after reset to start of first DMA transfer
 - Period from after channel initialization by DCHCn.INITn bit to start of DMA transfer
 - Period from after completion of DMA transfer (DCHCn.TCn bit = 1) to start of the next DMA transfer
3. When the value of the DDAn register is read, two 16-bit registers, DDAnH and DDAnL, are read. If reading and updating conflict, a value being updated may be read (see 21.13 Cautions).
4. DMA transfer of misaligned 16-bit data is not supported.
If an odd address is specified as the transfer destination, the least significant bit of the address is forcibly handled as being 0.
5. Following a reset, set the DSAnH, DSAnL, DDAnH, DDAnL, and DBCn registers before starting DMA transfer. If these registers are not set, DMA transfers are not guaranteed.

(3) DMA transfer count registers 0 to 3 (DBC0 to DBC3)

The DBC0 to DBC3 registers are 16-bit registers that set the byte transfer count for DMA channel n (n = 0 to 3). These registers hold the remaining transfer count during DMA transfer.

These registers are decremented by 1 per transfer regardless of the transfer data unit (8/16 bits), and the transfer is terminated if a borrow occurs.

The number of transfers specified first is held when DMA transfer is complete.

These registers can be read or written in 16-bit units.

After reset: Undefined R/W Address: DBC0 FFFF0C0H, DBC1 FFFF0C2H,
 DBC2 FFFF0C4H, DBC3 FFFF0C6H

15	14	13	12	11	10	9	8	7	6	5	4	3	2	1	0
BC15	BC14	BC13	BC12	BC11	BC10	BC9	BC8	BC7	BC6	BC5	BC4	BC3	BC2	BC1	BC0

DBCn
(n = 0 to 3)

BC15 to BC0	Byte transfer count setting or remaining byte transfer count during DMA transfer
0000H	1st byte transfer or remaining byte transfer count
0001H	2nd byte transfer or remaining byte transfer count
⋮	⋮
FFFFH	65,536 (2 ¹⁶)th byte transfer or remaining byte transfer count

Cautions 1. Set the DBCn register during one of the following periods in which DMA transfer is disabled (DCHCn.Enn bit = 0).

- Period from after reset to start of first DMA transfer
- Period from after channel initialization by DCHCn.INITn bit to start of DMA transfer
- Period from after completion of DMA transfer (DCHCn.TCn bit = 1) to start of the next DMA transfer

2. Following a reset, set the DSA nH, DSA nL, DDAnH, DDAnL, and DBCn registers before starting DMA transfer. If these registers are not set, DMA transfers are not guaranteed.

(4) DMA addressing control registers 0 to 3 (DADC0 to DADC3)

The DADC0 to DADC3 registers are 16-bit registers that control the DMA transfer mode for DMA channel n (n = 0 to 3).

These registers can be read or written in 16-bit units.

Reset sets these registers to 0000H.

After reset: 0000H		R/W	Address: DADC0 FFFF0D0H, DADC1 FFFF0D2H, DADC2 FFFF0D4H, DADC3 FFFF0D6H							
DADCn (n = 0 to 3)	15	14	13	12	11	10	9	8		
	0	DS0	0	0	0	0	0	0		
	7	6	5	4	3	2	1	0		
	SAD1	SAD0	DAD1	DAD0	0	0	0	0		
DS0		Setting of transfer data size								
0		8 bits								
1		16 bits								
SAD1	SAD0	Setting of count direction of the transfer source address								
0	0	Increment								
0	1	Decrement								
1	0	Fixed								
1	1	Setting prohibited								
DAD1	DAD0	Setting of count direction of the destination address								
0	0	Increment								
0	1	Decrement								
1	0	Fixed								
1	1	Setting prohibited								

Cautions

- Be sure to clear bits 15, 13 to 8, and 3 to 0 of the DADCn register to 0.
- Set the DADCn register during one of the following periods in which DMA transfer is disabled (DCHCn.Enn bit = 0).
 - Period from after reset to start of first DMA transfer
 - Period from after channel initialization by DCHCn.INITn bit to start of DMA transfer
 - Period from after completion of DMA transfer (DCHCn.TCn bit = 1) to start of the next DMA transfer
- The DS0 bit specifies the size of the transfer data, and does not control bus sizing. For details about external bus sizing, see 5.4.2 (1) Bus size configuration register (BSC).
- If the transfer data size is set to 16 bits (DS0 bit = 1), transfer cannot be started from an odd address. Transfer is always started from an address with the first bit of the lower address aligned to 0.
- If DMA transfer is executed on an on-chip peripheral I/O register (as the transfer source or destination), be sure to specify the same transfer size as the register size. For example, to execute DMA transfer on an 8-bit register, be sure to specify 8-bit transfer.

(5) DMA channel control registers 0 to 3 (DCHC0 to DCHC3)

The DCHC0 to DCHC3 registers are 8-bit registers that control DMA transfer for DMA channel n.

These registers can be read or written in 8-bit or 1-bit units. (However, bit 7 is read-only and bits 1 and 2 are write-only. If bit 1 or 2 is read, the value read is always 0.)

Reset sets these registers to 00H.

After reset: 00H		R/W	Address: DCHC0 FFFFF0E0H, DCHC1 FFFFF0E2H, DCHC2 FFFFF0E4H, DCHC3 FFFFF0E6H					
DCHCn	<7>	6	5	4	3	<2>	<1>	<0>
(n = 0 to 3)	TCn ^{Note 1}	0	0	0	0	INITn ^{Note 2}	STGn ^{Note 2}	Enn
TCn ^{Note 1}	Status flag indicating whether DMA transfer via DMA channel n is complete							
0	DMA transfer is not complete.							
1	DMA transfer is complete.							
This bit is set to 1 at the last DMA transfer and cleared to 0 when it is read.								
INITn ^{Note 2}	If the INITn bit is set to 1 with DMA transfer disabled (Enn bit = 0), the DMA transfer status can be initialized.							
STGn ^{Note 2}	This is a software startup trigger for DMA transfer. If this bit is set to 1 in the DMA transfer enabled state (TCn bit = 0, Enn bit = 1), DMA transfer is started.							
Enn	Setting of whether DMA transfer via DMA channel n is to be enabled or disabled							
0	DMA transfer disabled							
1	DMA transfer enabled							
DMA transfer is enabled when the Enn bit is set to 1. When DMA transfer is completed (when a terminal count is generated), this bit is automatically cleared to 0. To abort DMA transfer, clear the Enn bit to 0 by software. To resume DMA transfer, set the Enn bit to 1 again. When aborting or resuming DMA transfer, be sure to follow the procedure described in 18.13 (5) Procedure for temporarily stopping DMA transfer.								

Notes

- The TCn bit is read-only.
- The INITn and STGn bits are write-only.

Cautions

- Be sure to clear bits 6 to 3 of the DCHCn register to 0.
- When DMA transfer is completed (when a terminal count is generated), the Enn bit is cleared to 0 and then the TCn bit is set to 1. If the DCHCn register is read while its bits are being updated, a value indicating “transfer not completed and transfer is disabled” (TCn bit = 0 and Enn bit = 0) may be read.

(6) DMA trigger factor registers 0 to 3 (DTFR0 to DTFR3)

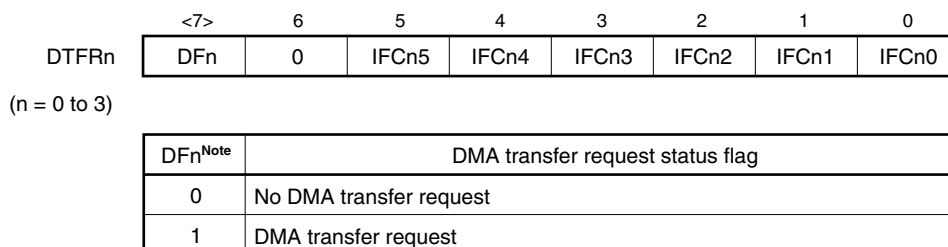
The DTFR0 to DTFR3 registers are 8-bit registers that control the DMA transfer start trigger via interrupt request signals from on-chip peripheral I/O.

The interrupt request signals set by these registers serve as DMA transfer start factors.

These registers can be read or written in 8-bit units. However, DF_n bit can be read or written in 1-bit units.

Reset sets these registers to 00H.

After reset: 00H R/W Address: DTFR0 FFFFF810H, DTFR1 FFFFF812H,
DTFR2 FFFFF814H, DTFR3 FFFFF816H



Note Do not write 1 to the DF_n bit by using software. Write 0 to this bit to clear a DMA transfer request if an interrupt specified as the DMA transfer start factor occurs while DMA transfer is disabled.

Cautions 1. Set the IFC_{n5} to IFC_{n0} bits during one of the following periods in which DMA transfer is disabled (DCHC_n.Enn bit = 0).

- Period from after reset to start of first DMA transfer
- Period from after channel initialization by DCHC_n.INIT_n bit to start of DMA transfer
- Period from after completion of DMA transfer (DCHC_n.TC_n bit = 1) to start of the next DMA transfer

2. Be sure to follow the steps below when changing the DTFR_n register settings. (n = 0 to 3, m = 0 to 3, n ≠ m)

- <1> Stop the DMA_n operation of the channel to be rewritten (DCHC_n.Enn bit = 0).
- <2> Change the DTFR_n register settings. (Be sure to set DF_n bit = 0 and change the settings in the 8-bit manipulation.)
- <3> Confirm that DF_n bit = 0. (Stop the interrupt generation source operation beforehand.)
- <4> Enable the DMA_n operation (Enn bit = 1).

3. An interrupt request that is generated in the standby mode (IDLE1, IDLE2, STOP, or sub-IDLE mode) does not start the DMA transfer cycle (nor is the DF_n bit set to 1).

4. If a DMA start factor is selected by the IFC_{n5} to IFC_{n0} bits, the DF_n bit is set to 1 when an interrupt from the selected on-chip peripheral I/O occurs, regardless of whether the DMA transfer is enabled. If DMA is enabled in this status, DMA transfer immediately starts.

Remark For the IFC_{n5} to IFC_{n0} bits, see **Table 21-2 DMA Start Factors**.

Table 21-2. DMA Start Factors(1/2)

IFCn5	IFCn4	IFCn3	IFCn2	IFCn1	IFCn0	Interrupt Source
0	0	0	0	0	0	DMA request by interrupt disabled
0	0	0	0	0	1	INTP0
0	0	0	0	1	0	INTP1
0	0	0	0	1	1	INTP2
0	0	0	1	0	0	INTP3
0	0	0	1	0	1	INTP4
0	0	0	1	1	0	INTP5
0	0	0	1	1	1	INTP6
0	0	1	0	0	0	INTP7
0	0	1	0	0	1	INTTQ0OV
0	0	1	0	1	0	INTTQ0CC0
0	0	1	0	1	1	INTTQ0CC1
0	0	1	1	0	0	INTTQ0CC2
0	0	1	1	0	1	INTTQ0CC3
0	0	1	1	1	0	INTTP0OV
0	0	1	1	1	1	INTTP0CC0
0	1	0	0	0	0	INTTP0CC1
0	1	0	0	0	1	INTTP1OV
0	1	0	0	1	0	INTTP1CC0
0	1	0	0	1	1	INTTP1CC1
0	1	0	1	0	0	INTTP2OV
0	1	0	1	0	1	INTTP2CC0
0	1	0	1	1	0	INTTP2CC1
0	1	0	1	1	1	INTTP3CC0
0	1	1	0	0	0	INTTP3CC1/INTUA5T
0	1	1	0	0	1	INTTP4CC0
0	1	1	0	1	0	INTTP4CC1
0	1	1	0	1	1	INTTP5CC0
0	1	1	1	0	0	INTTP5CC1
0	1	1	1	0	1	INTTM0EQ0
0	1	1	1	1	0	INTCB0R/INTIIC1
0	1	1	1	1	1	INTCB0T
1	0	0	0	0	0	INTCB1R
1	0	0	0	0	1	INTCB1T
1	0	0	0	1	0	INTCB2R
1	0	0	0	1	1	INTCB2T
1	0	0	1	0	0	INTCB3R
1	0	0	1	0	1	INTCB3T
1	0	0	1	1	0	INTUA0R/INTCB4R
1	0	0	1	1	1	INTUA0T/INTCB4T
1	0	1	0	0	0	INTUA1R/INTIIC2
1	0	1	0	0	1	INTUA1T
1	0	1	0	1	0	INTUA2R/INTIIC0
1	0	1	0	1	1	INTUA2T
1	0	1	1	0	0	INTAD

Remark n = 0 to 3

Table 21-2. DMA Start Factors(2/2)

IFCn5	IFCn4	IFCn3	IFCn2	IFCn1	IFCn0	Interrupt Source
1	0	1	1	0	1	INTKR
1	0	1	1	1	0	INTRTC1
1	0	1	1	1	1	INTUA3R
1	1	0	0	0	0	INTUA3T
1	1	0	0	0	1	INTUA4R
1	1	0	0	1	0	INTUA4T
1	1	0	0	1	1	INTUA5R
1	1	0	1	0	0	INTUC0R
1	1	0	1	0	1	INTUC0T
Other than above						Setting prohibited

Remark n = 0 to 3

21.4 Transfer Sources and Destinations

Table 21-3 shows the relationship between the transfer sources and destinations (√: Transfer enabled, ×: Transfer disabled).

Table 21-3. Relationship Between Transfer Sources and Destinations

		Transfer Destination			
		Internal ROM	On-Chip Peripheral I/O	Internal RAM	External Memory
Source	On-chip peripheral I/O	×	√	√	√
	Internal RAM	×	√	×	√
	External memory	×	√	√	√
	Internal ROM	×	×	×	×

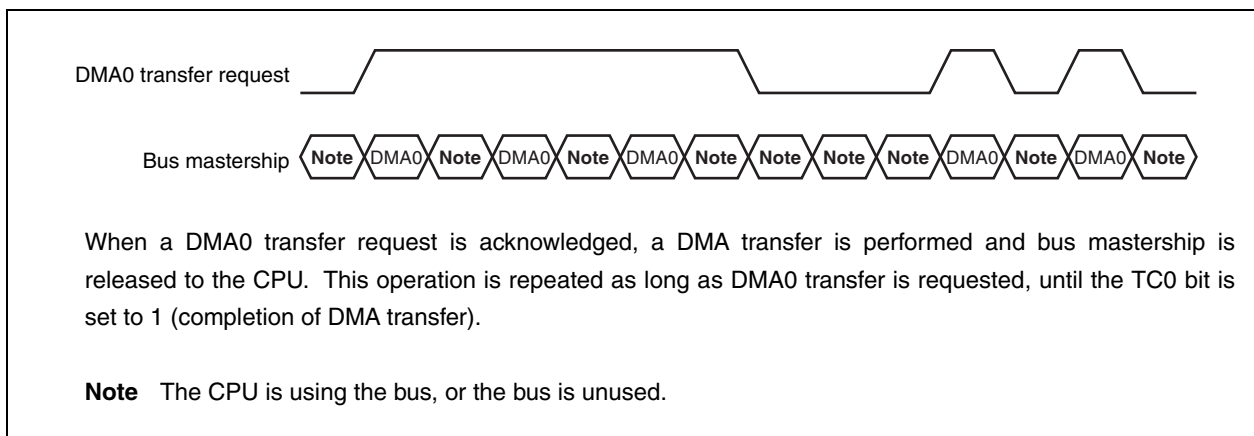
Caution The operation is not guaranteed for combinations of transfer destination and source marked with “×” in Table 21-3.

21.5 Transfer Modes

Single transfer is supported as the transfer mode.

In single transfer mode, the bus is released at each byte/halfword transfer. If there is a subsequent DMA transfer request, transfer is performed again once. This operation continues until a terminal count occurs.

Figure 21-2. Single Transfer (Using Only One Channel)



21.6 Transfer Types

Two-cycle transfer is supported as the transfer type.

In two-cycle transfer, data is transferred in two cycles, a read cycle and a write cycle.

In the read cycle, the transfer source address is output and data is read from the source to the DMAC. In the write cycle, the transfer destination address is output and data is written from the DMAC to the destination.

An idle cycle of one clock is always inserted between a read cycle and a write cycle. If the data bus width differs between the transfer source and destination in two-cycle DMA transfer, the operation is performed as follows.

<16-bit data transfer (DADCn.DSn0 bit = 1)>

<1> Transfer from 32-bit bus to 16-bit bus

A read cycle (the higher or lower 16-bit data) is generated, followed by a write cycle (16 bits).

<2> Transfer from 16-/32-bit bus to 8-bit bus

A 16-bit read cycle is generated once, and then an 8-bit write cycle is generated twice.

<3> Transfer from 8-bit bus to 16-/32-bit bus

An 8-bit read cycle is generated twice, and then a 16-bit write cycle is generated once.

<4> Transfer from 16-bit bus to 32-bit bus

A 16-bit read cycle is generated once, and then a 16-bit write cycle is generated once.

For DMA transfer executed on an on-chip peripheral I/O register (transfer source/destination), be sure to specify the same transfer size as the register size. For example, to execute DMA transfer on an 8-bit register, be sure to specify byte (8-bit) transfer.

Remark The bus width of each transfer source and destination is as follows.

- On-chip peripheral I/O: 16 bits
- Internal RAM: 32 bits
- External memory: 8 bits or 16 bits

21.7 DMA Channel Priorities

The DMA channel priorities are fixed as follows.

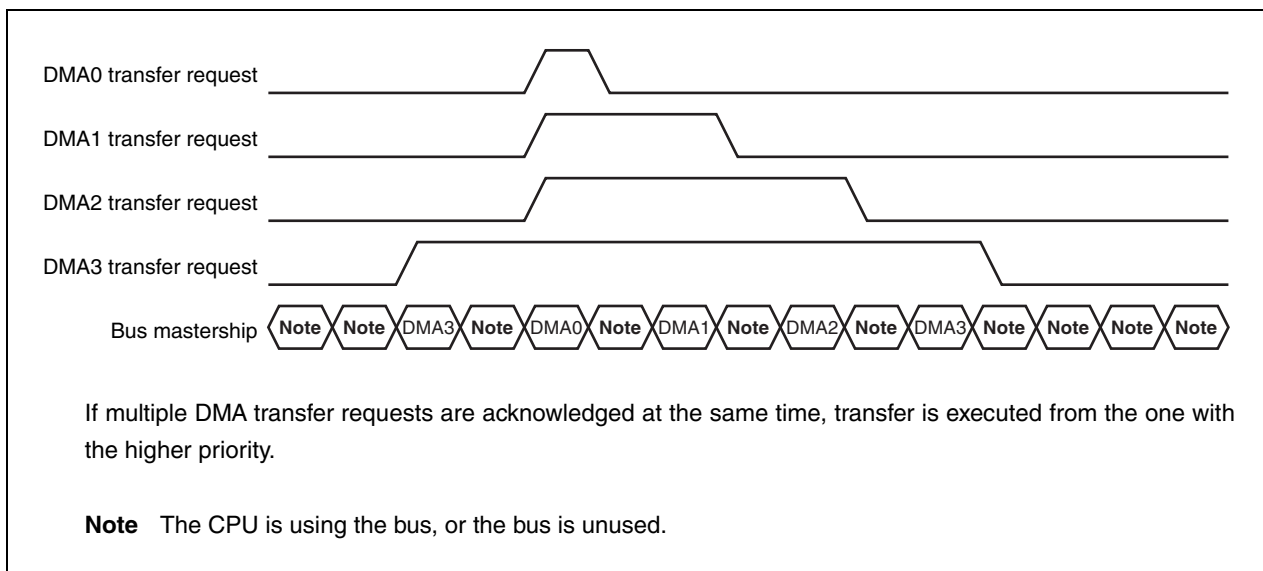
DMA channel 0 > DMA channel 1 > DMA channel 2 > DMA channel 3

When the DMAC has released the bus, if another DMA transfer request that has a higher priority is issued, the one that has the higher priority always takes precedence.

If a new transfer request for the same channel and a transfer request for another channel with a lower priority are generated in a transfer cycle, DMA transfer on the channel with the lower priority is executed after the bus is released to the CPU (the new transfer request for the same channel is ignored in the transfer cycle).

The priorities are checked for every transfer cycle.

Figure 21-3. Single Transfer (Using Multiple Channels)



21.8 Time Related to DMA Transfer

The time required to respond to a DMA request, and the minimum number of clocks required for DMA transfer are shown below.

Single transfer: DMA response time (<1>) + Transfer source memory access (<2>) + 1^{Note 1} + Transfer destination memory access (<2>)

Table 21-4. Number of Execution Clocks During DMA Cycle

DMA Cycle		Number of Execution Clocks
<1> DMA request response time		4 clocks (MIN.) + Noise elimination time ^{Note 2}
<2> Memory access	External memory access	Depends on connected memory ^{Note 3} .
	Internal RAM access	2 clocks
	Peripheral I/O register access	3 clocks + Number of wait cycles specified by VSWC register ^{Note 4}

- Notes**
1. One clock is always inserted between a read cycle and a write cycle in DMA transfer.
 2. If an external interrupt (INTPn) is specified as the trigger to start DMA transfer, noise elimination time is added (n = 0 to 7).
 3. Transfer must be executed twice when transferring 16-bit data using the 8-bit bus.
 4. More wait cycles may be necessary for accessing a special register described in **3.4.9 (1)**.

21.9 DMA Transfer Start Factors

There are two types of DMA transfer start factors, as shown below.

(1) Request by software

If the DCHCn.STGn bit is set to 1 while the DCHCn.TCn bit is 0 and DCHCn.Enn bit is 1 (DMA transfer enabled), DMA transfer starts.

To request the next DMA transfer cycle immediately after that, confirm, by using the DBCn register, that the preceding DMA transfer cycle has been completed, and set the STGn bit to 1 again (n = 0 to 3).

TCn bit = 0, Enn bit = 1



STGn bit = 1 ... Starts the first DMA transfer.



Confirm that the contents of the DBCn register have been updated.

STGn bit = 1 ... Starts the second DMA transfer.



:



Generation of terminal count ... Enn bit = 0, TCn bit = 1, and INTDMAn signal is generated.

(2) Request by on-chip peripheral I/O

If an interrupt request is generated from the on-chip peripheral I/O set by the DTFRn register when the TCn bit is 0 and Enn bit is 1 (DMA transfer enabled), DMA transfer starts (n = 0 to 3).

Cautions 1. Two start factors (software trigger and hardware trigger) cannot be used for one DMA channel.

If two start factors are simultaneously generated for one DMA channel, only one of them is valid. However, the valid start factor cannot be identified.

2. A new transfer request generated for a DMA channel after the preceding DMA transfer request was generated and before the transfer is complete is ignored (cleared).
3. The transfer request interval for the same DMA channel varies depending on the setting of bus waits in the DMA transfer cycle, the start status of the other channels, or an external bus hold request. In particular, as described in Caution 2, a new transfer request generated for the same channel before a DMA transfer cycle starts or during a DMA transfer cycle is ignored. Therefore, the transfer request interval for the same DMA channel must be sufficiently secured by the system. When a software trigger is used, whether the preceding DMA transfer cycle has completed can be checked by reading the DBCn register.

21.10 DMA Abort Factors

DMA transfer is aborted if a bus hold occurs.

The same applies if transfer is executed between the internal memory/on-chip peripheral I/O and internal memory/on-chip peripheral I/O.

When the bus hold is cleared, DMA transfer is resumed.

21.11 End of DMA Transfer

When DMA transfer has been completed the number of times set to the DBCn register and when the DCHCn.Enn bit is cleared to 0 and TCn bit is set to 1, a DMA transfer end interrupt request signal (INTDMA_n) is generated for the interrupt controller (INTC) (n = 0 to 3).

The V850ES/JG3-L does not output a terminal count signal to an external device. Therefore, confirm completion of DMA transfer by using the DMA transfer end interrupt or polling the TCn bit.

21.12 Operation Timing

The operation timing of DMA is as follows.

Four examples are shown:

- Multiple channels request DMA transfer simultaneously (see **Figure 21-4**).
- A new DMA transfer with a higher priority is requested during a DMA transfer (see **Figure 21-5**).
- A new DMA transfer request for the same channel is ignored (one channel) (see **Figure 21-6**).
- A new DMA transfer request for the same channel is ignored (multiple channels) (see **Figure 21-7**).

Figure 21-4. Priority of DMA (1)

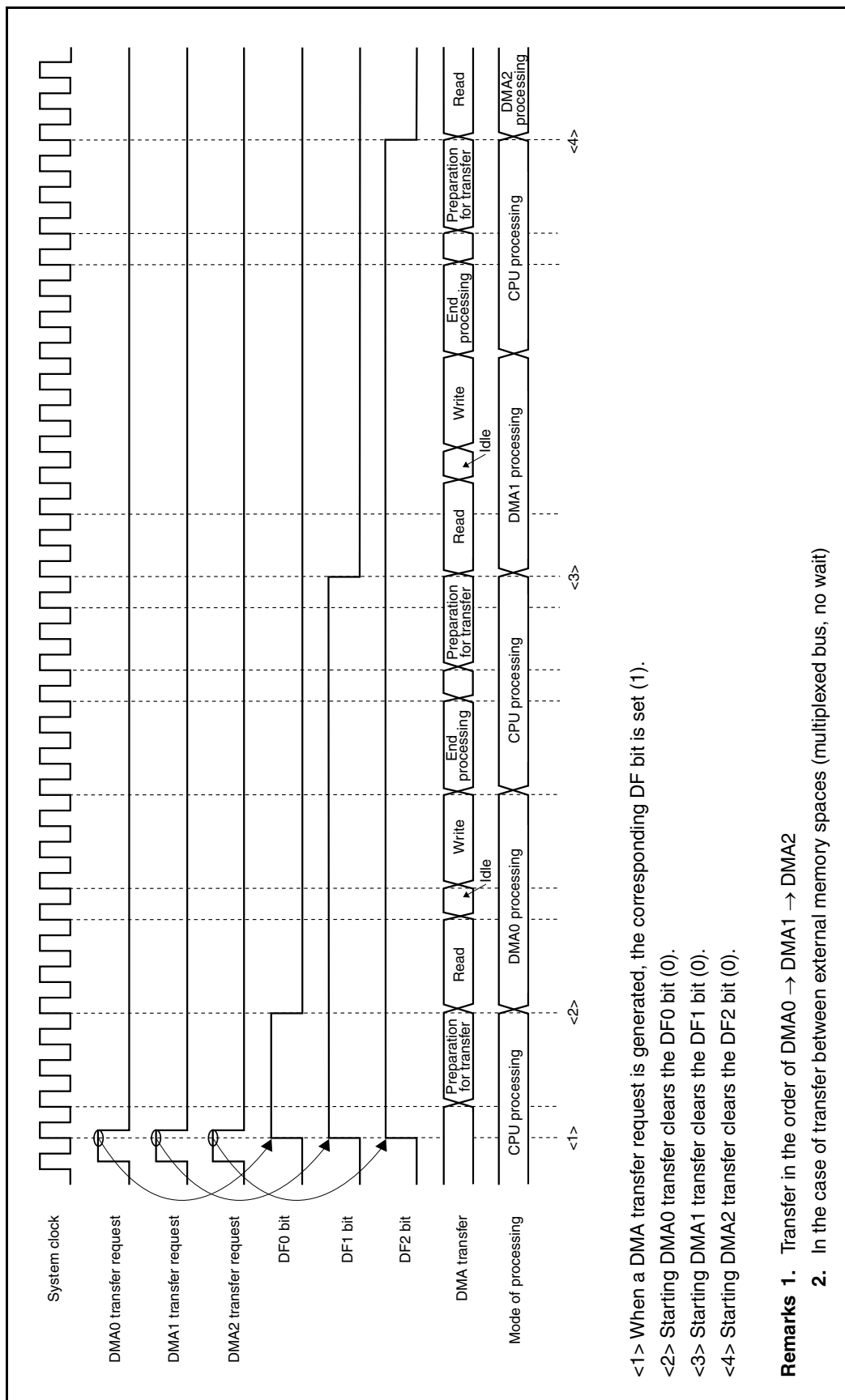


Figure 21-5. Priority of DMA (2)

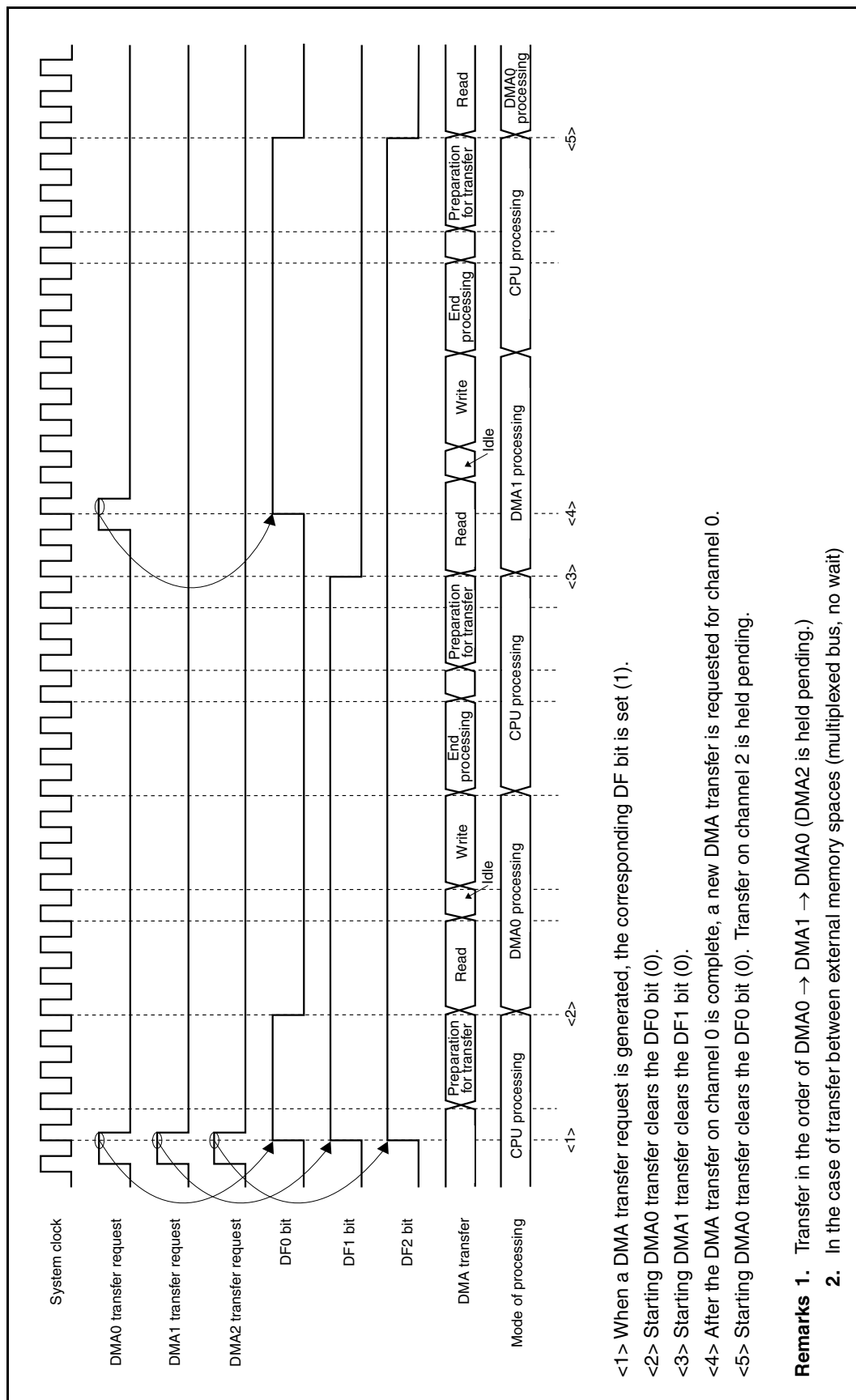


Figure 21-6. Period in Which DMA Transfer Request Is Ignored (1)

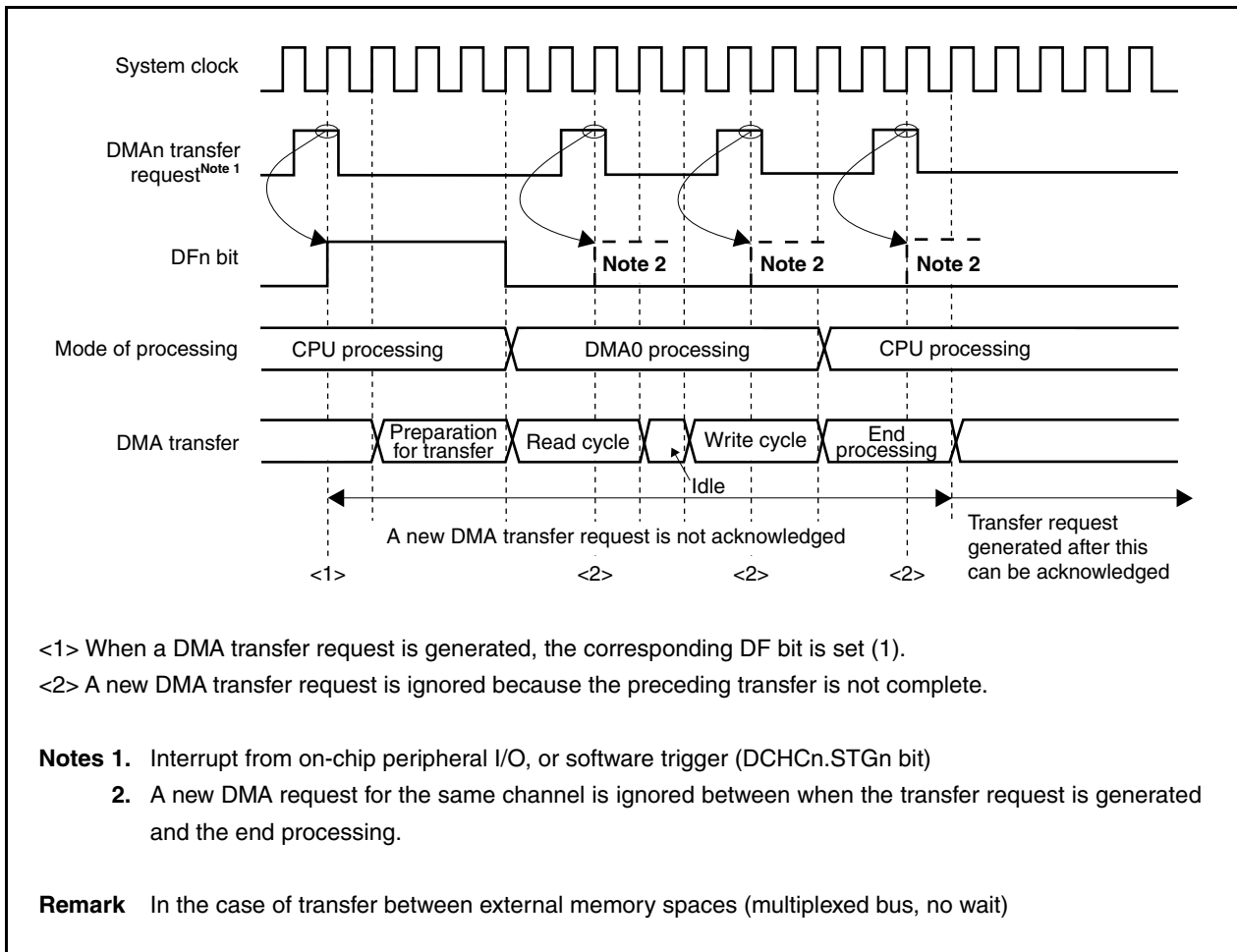
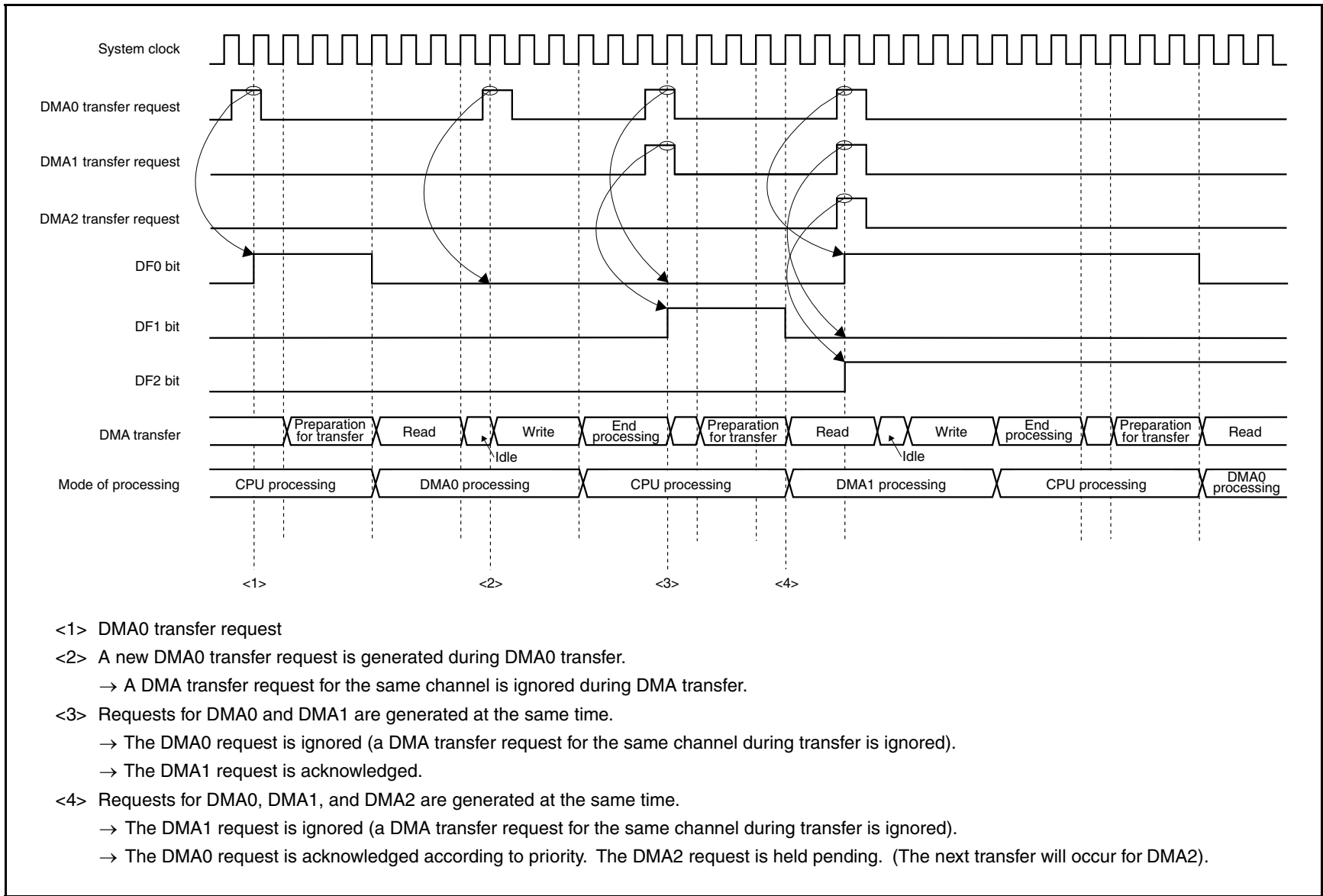


Figure 21-7. Period in Which DMA Transfer Request Is Ignored (2)



21.13 Cautions

(1) VSWC register

When using the DMAC, be sure to specify an appropriate value for the VSWC register, in accordance with the operating frequency.

If an inappropriate value is specified for the VSWC register, the DMAC does not operate correctly (for details about the VSWC register, refer to **3.4.8 (a) System wait control register (VSWC)**).

(2) DMA transfer executed for internal RAM

When a data access instruction located in the internal RAM is executed for a misaligned address, do not execute the instruction via DMA to transfer data to/from the internal RAM, because the CPU may not operate correctly afterward.

Similarly, when executing a DMA transfer to transfer data to/from the internal RAM, do not execute a data access instruction located in the internal RAM for a misaligned address.

(3) Reading DCHCn.TCn bit (n = 0 to 3)

The TCn bit is cleared to 0 when it is read, but not if read at a specific time. To definitely clear the TCn bit, add the following processing.

(a) When waiting for completion of DMA transfer by polling TCn bit

Confirm that the TCn bit has been set to 1 (after TCn bit = 1 is read), and then read the TCn bit three more times.

(b) When reading TCn bit in interrupt service routine

Read the TCn bit three times.

(4) DMA transfer initialization procedure (setting DCHCn.INITn bit to 1)

Even if the INITn bit is set to 1 when the channel executing DMA transfer is to be initialized, the channel may not be initialized. To definitely initialize the channel, execute either of the following two procedures.

(a) Temporarily stop transfer on all DMA channels

Initialize the channel executing DMA transfer using the procedure in <1> to <7> below.

Note, however, that TCn bit is cleared to 0 when step <5> is executed. Make sure that the other processing programs do not expect that the TCn bit is 1.

<1> Disable interrupts (DI).

<2> Read the DCHCn.Enn bit for DMA channels other than the one to be forcibly terminated, and transfer the value to a general-purpose register.

<3> Clear the Enn bit for the DMA channels used (including the channel to be forcibly terminated) to 0. To clear the Enn bit for the last DMA channel, execute the clear instruction twice. If the DMA transfer source or destination is the internal RAM, execute the instruction three times.

Example: Execute instructions in the following order if channels 0, 1, and 2 are used (if the internal RAM is not the transfer source or destination).

- Write 00H to DCHC0 (clear the E00 bit to 0).
- Write 00H to DCHC1 (clear the E11 bit to 0).
- Write 00H to DCHC2 (clear the E22 bit to 0).
- Write 00H to DCHC2 again (clear the E22 bit to 0).

<4> Write 04H to DCHCn corresponding to the channel to be forcibly terminated (set the INITn bit to 1).

<5> Read the TCn bit of each channel not to be forcibly terminated. If both the TCn bit and the Enn bit read in <2> are 1 (logical product (AND) is 1), clear the saved Enn bit to 0.

<6> After the operation in <5>, write the Enn bit value to the DCHCn register.

<7> Enable interrupts (EI).

Cautions 1. Be sure to execute step <5> above to prevent illegal setting of the Enn bit of the channels on which DMA transfer has been normally completed between <2> and <3>.

2. Clearing the Enn bit to 0 (<3>) and setting the INITn bit to 1 (<4>) by using a bit manipulation instruction clears the TCn bit, so a bit manipulation instruction must not be used.

(b) Repeatedly setting the INITn bit until transfer is forcibly terminated correctly

- <1> Before starting DMA, copy the initial number of transfers of the channel to be forcibly terminated to a general-purpose register.
- <2> Suppress a request from the DMA request source for the channel to be forcibly terminated (stop operation of the on-chip peripheral I/O).
- <3> Check that the DMA transfer request for the channel to be forcibly terminated is not held pending, by using the DTFRn.DFn bit. If a DMA transfer request is held pending, wait until execution of the pending DMA transfer request is completed.
- <4> When it has been confirmed that the DMA request for the channel to be forcibly terminated is not held pending, clear the Enn bit to 0.
- <5> Again, clear the Enn bit for the channel to be forcibly terminated to 0.
If the internal RAM is the transfer source or destination of the channel to be forcibly terminated, execute this operation again.
- <6> Set the INITn bit of the channel to be forcibly terminated to 1.
- <7> Read the value of the DBCn register corresponding to the channel to be forcibly terminated, and compare it with the value copied in <1>. If the two values do not match, repeat operations <6> and <7>.

Remarks 1. When the value of the DBCn register is read in <7>, the initial number of transfers is read if forced termination has been correctly completed. If not, the remaining number of transfers is read.

2. Note that method (b) may take a long time if the application frequently uses DMA transfer for a channel other than the DMA channel to be forcibly terminated.

(5) Procedure for temporarily stopping DMA transfer (clearing Enn bit)

Stop and resume the DMA transfer under execution using the following procedure.

- <1> Suppress a transfer request from the DMA request source (stop operation of the on-chip peripheral I/O).
- <2> Check the DMA transfer request is not held pending, by using the DFn bit (check if the DFn bit = 0).
If a request is held pending, wait until execution of the pending DMA transfer request is completed.
- <3> Check the TCn bit to confirm that DMA transfer is not complete (confirm that the TCn bit is 0). If the TCn bit is 1, execute the DMA transfer completion processing.
- <4> If it has been confirmed that no DMA transfer request is held pending, clear the Enn bit to 0 (this operation suspends DMA transfer).
- <5> Set the Enn bit to 1 to resume DMA transfer.
- <6> Resume the operation of the DMA request source that has been stopped (start operation of the on-chip peripheral I/O).

(6) Memory boundary

The operation is not guaranteed if the address of the transfer source or destination exceeds the area of the DMA source or destination (external memory, internal RAM, on-chip peripheral I/O) during DMA transfer. (For details about the addresses of each area, see **Figure 3-2**.)

(7) Transferring misaligned data

DMA transfer of misaligned 16-bit data is not supported.

If an odd address is specified as the transfer source or destination, the least significant bit of the address is forcibly handled as 0.

(8) Bus arbitration for CPU

Because the DMA controller is a higher priority bus master than the CPU, a CPU access that takes place during DMA transfer is held pending until the DMA transfer cycle is completed and the bus is released to the CPU.

However, the CPU can access the internal ROM and the internal RAM for which DMA transfer is not being executed.

- The CPU can access the internal ROM and internal RAM when DMA transfer is being executed between the external memory and on-chip peripheral I/O.
- The CPU can access the internal ROM when DMA transfer is being executed between the on-chip peripheral I/O and the internal RAM.

(9) Registers/bits that must not be rewritten during DMA transfer

Set up the following registers during one of the periods below when a DMA transfer is not under execution ($n = 0$ to 3).

[Registers]

- DSAnH, DSAnL, DDAnH, DDAnL, DBCn, and DADCn registers
- DTFRn.IFCn5 to DTFRn.IFCn0 bits

[Timing of setting]

- Period from after reset to start of the first DMA transfer
- Period from after channel initialization to start of DMA transfer
- Period from after completion of DMA transfer (TCn bit = 1) to start of the next DMA transfer

(10) Be sure to set the following register bits to 0 ($n = 0$ to 3).

- Bits 14 to 10 of DSAnH register
- Bits 14 to 10 of DDAnH register
- Bits 15, 13 to 8, and 3 to 0 of DADCn register
- Bits 6 to 3 of DCHCn register

(11) DMA start factor

Do not start multiple DMA channels with the same start factor. If multiple channels are started with the same factor, DMA for which a channel has already been set may start or a DMA channel with a lower priority may be acknowledged before a DMA channel with a higher priority. The operation cannot be guaranteed in this case.

(12) Read values of DSAn and DDAn registers

If the DSAn and DDAn registers are read during a DMA transfer, the values before and after the registers were updated might be read.

For example, if the DSAnH register and then the DSAnL register are read when the DMA transfer source address (DSAn register) is 0000FFFFH and the count direction is incremental (DADCn.SAD1 and DADCn.SAD0 bits = 00), the value of the DSAnL register differs as follows, depending on whether DMA transfer is executed immediately after the DSAnH register is read.

(a) If DMA transfer does not occur while DSAn register is being read

- <1> Reading DSAnH register value: DSAnH register = 0000H
- <2> Reading DSAnL register value: DSAnL register = FFFFH

(b) If DMA transfer occurs while DSAn register is being read

- <1> Reading DSAnH register value: DSAnH register = 0000H
- <2> Occurrence of DMA transfer
- <3> Incrementing DSAn register: DSAn register = 00010000H
- <4> Reading DSAnL register value: DSAnL register = 0000H

(13) Setting up DMA transfer again

When re-specifying DMA settings by using the DDAnH, DDAnL, DSAnH, DSAnL, DBCn, and DADCn registers during the current DMA (the TCn bit is set to 1), be sure to initialize the DMA channels first. The DMA transfer must be initialized using the procedure described in **21.13 (4) DMA transfer initialization procedure**.

CHAPTER 22 INTERRUPT SERVICING/EXCEPTION PROCESSING FUNCTION

The V850ES/JG3-L is provided with an interrupt controller dedicated to interrupt servicing (INTC) and can handle a total of 57 interrupt requests.

An interrupt is an event that occurs independently of program execution, and an exception is an event whose occurrence is dependent on program execution.

The V850ES/JG3-L can handle interrupt request signals from the on-chip peripheral hardware and external sources. Moreover, exception processing can be started by a TRAP instruction (software exception) or by generation of an exception event (illegal execution of instructions) (exception trap).

22.1 Features

- Interrupts
 - Non-maskable interrupts: External: 1, Internal: 1 source
 - Maskable interrupts: External: 8, Internal: 54 sources
 - 8 levels of programmable priorities (maskable interrupts)
 - Multiple interrupt control according to priority
 - Masks can be specified for each maskable interrupt request.
 - Noise elimination, edge detection, and valid edge specification for external interrupt request signals
- Exceptions
 - Software exceptions: 32 sources
 - Exception trap: 2 sources (illegal opcode exception, debug trap)

The interrupt/exception sources are listed in Table 22-1.

Table 22-1. Interrupt Source List (1/3)

Type	Default Priority	Name	Trigger	Generating Unit	Exception Code	Handler Address	Interrupt Control Register
Reset	–	RESET	RESET pin input Reset input by internal source	RESET	0000H	00000000H	–
Non-maskable	–	NMI	NMI pin valid edge input	Pin	0010H	00000010H	–
	–	INTWDT2	WDT2 overflow	WDT2	0020H	00000020H	–
Software exception	–	TRAP0 ^{Note 2}	TRAP instruction	–	004nH ^{Note 2}	00000040H	–
	–	TRAP1 ^{Note 2}	TRAP instruction	–	005nH ^{Note 2}	00000050H	–
Exception trap	–	ILGOP/ DBG0	Illegal opcode/ DBTRAP instruction	–	0060H	00000060H	–
Maskable	0	INTLVI	Low voltage detection	POCLVI	0080H	00000080H	LVIIC
	1	INTP0	External interrupt pin input edge detection (INTP0)	Pin	0090H	00000090H	PIC0
	2	INTP1	External interrupt pin input edge detection (INTP1)	Pin	00A0H	000000A0H	PIC1
	3	INTP2	External interrupt pin input edge detection (INTP2)	Pin	00B0H	000000B0H	PIC2
	4	INTP3	External interrupt pin input edge detection (INTP3)	Pin	00C0H	000000C0H	PIC3
	5	INTP4	External interrupt pin input edge detection (INTP4)	Pin	00D0H	000000D0H	PIC4
	6	INTP5	External interrupt pin input edge detection (INTP5)	Pin	00E0H	000000E0H	PIC5
	7	INTP6	External interrupt pin input edge detection (INTP6)	Pin	00F0H	000000F0H	PIC6
	8	INTP7	External interrupt pin input edge detection (INTP7)	Pin	0100H	00000100H	PIC7
	9	INTTQ0OV	TMQ0 overflow	TMQ0	0110H	00000110H	TQ0OVIC
	10	INTTQ0CC0	TMQ0 capture 0/compare 0 match	TMQ0	0120H	00000120H	TQ0CCIC0
	11	INTTQ0CC1	TMQ0 capture 1/compare 1 match	TMQ0	0130H	00000130H	TQ0CCIC1
	12	INTTQ0CC2	TMQ0 capture 2/compare 2 match	TMQ0	0140H	00000140H	TQ0CCIC2
	13	INTTQ0CC3	TMQ0 capture 3/compare 3 match	TMQ0	0150H	00000150H	TQ0CCIC3
	14	INTTP0OV	TMP0 overflow	TMP0	0160H	00000160H	TP0OVIC
	15	INTTP0CC0	TMP0 capture 0/compare 0 match	TMP0	0170H	00000170H	TP0CCIC0
	16	INTTP0CC1	TMP0 capture 1/compare 1 match	TMP0	0180H	00000180H	TP0CCIC1
	17	INTTP1OV/ INTUSBF1	TMP1 overflow/ USBF Resume interrupt	TMP1/ USBF	0190H	00000190H	TP1OVIC/ UFIC1
	18	INTTP1CC0	TMP1 capture 0/compare 0 match	TMP1	01A0H	000001A0H	TP1CCIC0
	19	INTTP1CC1/ INTUSBF0	TMP1 capture 1/compare 1 match/ USBF interrupt	TMP1/ USBF	01B0H	000001B0H	TP1CCIC1/ UFIC0
	20	INTTP2OV	TMP2 overflow	TMP2	01C0H	000001C0H	TP2OVIC
	21	INTTP2CC0	TMP2 capture 0/compare 0 match	TMP2	01D0H	000001D0H	TP2CCIC0
22	INTTP2CC1	TMP2 capture 1/compare 1 match	TMP2	01E0H	000001E0H	TP2CCIC1	

Notes 1. The software that generated the exception event can be checked using the exception code set to the EICC bit of the ECR register.

2. n = 0 to FH

Table 22-1. Interrupt Source List (2/3)

Type	Default Priority	Name	Trigger	Generating Unit	Exception Code	Handler Address	Interrupt Control Register
Maskable	23	INTTP3OV/ /INTUA5R	TMP3 overflow/ INTUA5 reception completion/ UARTA5 reception error	TMP3/ UARTA5	01F0H	000001F0H	TP3OVIC/ UA5RIC
	24	INTTP3CC0	TMP3 capture 0/compare 0 match	TMP3	0200H	00000200H	TP3/CCIC0
	25	INTTP3CC1 /INTUA5T	TMP3 capture 1/compare 1 match/ INTUA5 successive transmission enable	TMP3/ UARTA5	0210H	00000210H	TP3CCIC1/ UA5TIC
	26	INTTP4OV	TMP4 overflow	TMP4	0220H	00000220H	TP4OVIC
	27	INTTP4CC0	TMP4 capture 0/compare 0 match	TMP4	0230H	00000230H	TP4CCIC0
	28	INTTP4CC1	TMP4 capture 1/compare 1 match	TMP4	0240H	00000240H	TP4CCIC1
	29	INTTP5OV	TMP5 overflow	TMP5	0250H	00000250H	TP5OVIC
	30	INTTP5CC0	TMP5 capture 0/compare 0 match	TMP5	0260H	00000260H	TP5CCIC0
	31	INTTP5CC1	TMP5 capture 1/compare 1 match	TMP5	0270H	00000270H	TP5CCIC1
	32	INTTM0EQ0	TMM0 compare match	TMM0	0280H	00000280H	TM0EQIC0
	33	INTCB0R/ INTIIC1	CSIB0 reception completion/ CSIB0 reception error/ IIC1 transfer completion	CSIB0/ IIC1	0290H	00000290H	CB0RIC/ IIC1C1
	34	INTCB0T	CSIB0 successive transmission write enable	CSIB0	02A0H	000002A0H	CB0TIC
	35	INTCB1R	CSIB1 reception completion/ CSIB1 reception error	CSIB1	02B0H	000002B0H	CB1RIC
	36	INTCB1T	CSIB1 successive transmission write enable	CSIB1	02C0H	000002C0H	CB1TIC
	37	INTCB2R	CSIB2 reception completion/ CSIB2 reception error	CSIB2	02D0H	000002D0H	CB2RIC
	38	INTCB2T	CSIB2 successive transmission write enable	CSIB2	02E0H	000002E0H	CB2TIC
	39	INTCB3R	CSIB3 reception completion/ CSIB3 reception error	CSIB3	02F0H	000002F0H	CB3RIC
	40	INTCB3T	CSIB3 successive transmission write enable	CSIB3	0300H	00000300H	CB3TIC
	41	INTUA0R/ INTCB4R	UARTA0 reception completion/ UARTA0 reception error/ CSIB4 reception completion/ CSIB4 reception error	UARTA0/ CSIB4	0310H	00000310H	UA0RIC/ CB4RIC
	42	INTUA0T/ INTCB4T	UARTA0 successive transmission enable/ CSIB4 successive transmission write enable	UARTA0/ CSIB4	0320H	00000320H	UA0TIC/ CB4TIC
43	INTUA1R/ INTIIC2	UARTA1 reception completion/ UARTA1 reception error/ IIC2 transfer completion	UARTA1/ IIC2	0330H	00000330H	UA1RIC/ IIC2C2	
44	INTUA1T	UARTA1 successive transmission enable	UARTA1	0340H	00000340H	UA1TIC	
45	INTUA2R/ INTIIC0	UARTA2 reception completion/ UARTA2 reception error/ IIC0 transfer completion	UARTA2/ IIC0	0350H	00000350H	UA2RIC/ IIC0C0	

Table 22-1. Interrupt Source List (3/3)

Type	Default Priority	Name	Trigger	Generating Unit	Exception Code	Handler Address	Interrupt Control Register
Maskable	46	INTUA2T	UARTA2 successive transmission enable	UARTA2	0360H	00000360H	UA2TIC
	47	INTAD	A/D conversion completion	A/D	0370H	00000370H	ADIC
	48	INTDMA0	DMA0 transfer completion	DMA	0380H	00000380H	DMAIC0
	49	INTDMA1	DMA1 transfer completion	DMA	0390H	00000390H	DMAIC1
	50	INTDMA2	DMA2 transfer completion	DMA	03A0H	000003A0H	DMAIC2
	51	INTDMA3	DMA3 transfer completion	DMA	03B0H	000003B0H	DMAIC3
	52	INTKR	Key return interrupt	KR	03C0H	000003C0H	KRIC
	53	INTWT1 /INTRTC2	Watch timer interval/ RTC interval signal	WT/ RTC	03D0H	000003D0H	WTIIC/ RTC2IC
	54	INTWT /INTRTC0	Watch timer reference time/ RTC constant cycle signal	WT/ RTC	03E0H	000003E0H	WTIC/ RTC0IC
	55	INTRTC1	RTC alarm match	RTC	03F0H	000003F0H	RTC1IC
	56	INTUA3R	UARTA3 reception completion/ UARTA3 reception error	UARTA3	0400H	00000400H	UA3RIC
	57	INTUA3T	UARTA3 successive transmission enable	UARTA3	0410H	00000410H	UA3TIC
	58	INTUA4R	UARTA4 reception completion/ UARTA4 reception error	UARTA4	0420H	00000420H	UA4RIC
	59	INTUA4T	UARTA4 successive transmission enable	UARTA4	0430H	00000430H	UA4TIC
	60	INTUC0R	UARTC0 reception completion/ UARTC0 reception error	UARTC0	0440H	00000440H	UC0RIC
	61	INTUC0T	UARTC0 successive transmission enable	UARTC0	0450H	00000450H	UC0TIC

- Remarks 1.** Default Priority: The priority order that is applied when multiple maskable interrupt requests having the same priority level occur simultaneously. Smaller numbers have a higher priority, with 0 given the highest priority. The priority order of non-maskable interrupts is INTWDT2 > NMI.
- 2.** The execution address of the illegal instruction when an illegal opcode exception occurs is calculated by (Restored PC – 4).

22.2 Non-Maskable Interrupts

A non-maskable interrupt request signal is acknowledged even when interrupts are disabled (DI) by the CPU. A non-maskable interrupt is not subject to priority control and takes precedence over all the other interrupt request signals.

This product has the following two non-maskable interrupt request signals.

- NMI pin input (NMI)
- Non-maskable interrupt request signal generated by overflow of watchdog timer (INTWDT2)

The valid edge of the NMI pin can be selected from four types: “rising edge”, “falling edge”, “both edges”, and “no edge detection”. “No edge detection” is selected by default. Be sure to specify the valid edge.

The non-maskable interrupt request signal generated by overflow of watchdog timer 2 (INTWDT2) functions when the WDTM2.WDM21 and WDTM2.WDM20 bits are set to “01”.

If two or more non-maskable interrupt request signals occur at the same time, the interrupt with the higher priority is serviced, as follows (the interrupt request signal with the lower priority is ignored).

INTWDT2 > NMI

If a new NMI or INTWDT2 request signal is issued while a non-maskable interrupt is being serviced, it is serviced as follows.

(1) If new NMI request signal is issued while non-maskable interrupt is being serviced

The new NMI request signal is held pending, regardless of the value of the PSW.NP bit. The pending NMI request signal is acknowledged after the non-maskable interrupt currently under execution has been serviced (after the RETI instruction has been executed).

(2) If new INTWDT2 request signal is issued while non-maskable interrupt is being serviced

If the NP bit is set (1) while a non-maskable interrupt is being serviced, the new INTWDT2 request signal is held pending. The pending INTWDT2 request signal is acknowledged after the non-maskable interrupt currently under execution has been serviced (after the RETI instruction has been executed).

If the NP bit is cleared (0) while a non-maskable interrupt is being serviced, the newly generated INTWDT2 request signal is acknowledged (the current non-maskable interrupt servicing is stopped).

Caution For details about the non-maskable interrupt servicing requested by the INTWDT2 signal, see 22.2.2 (2) From INTWDT2 signal.

Figure 22-1. Non-Maskable Interrupt Request Signal Acknowledgment Operation (1/2)

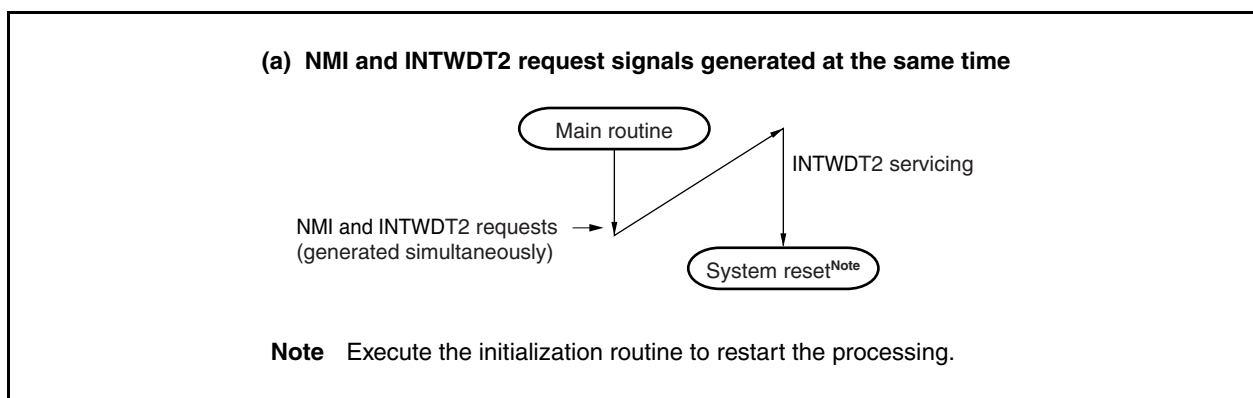
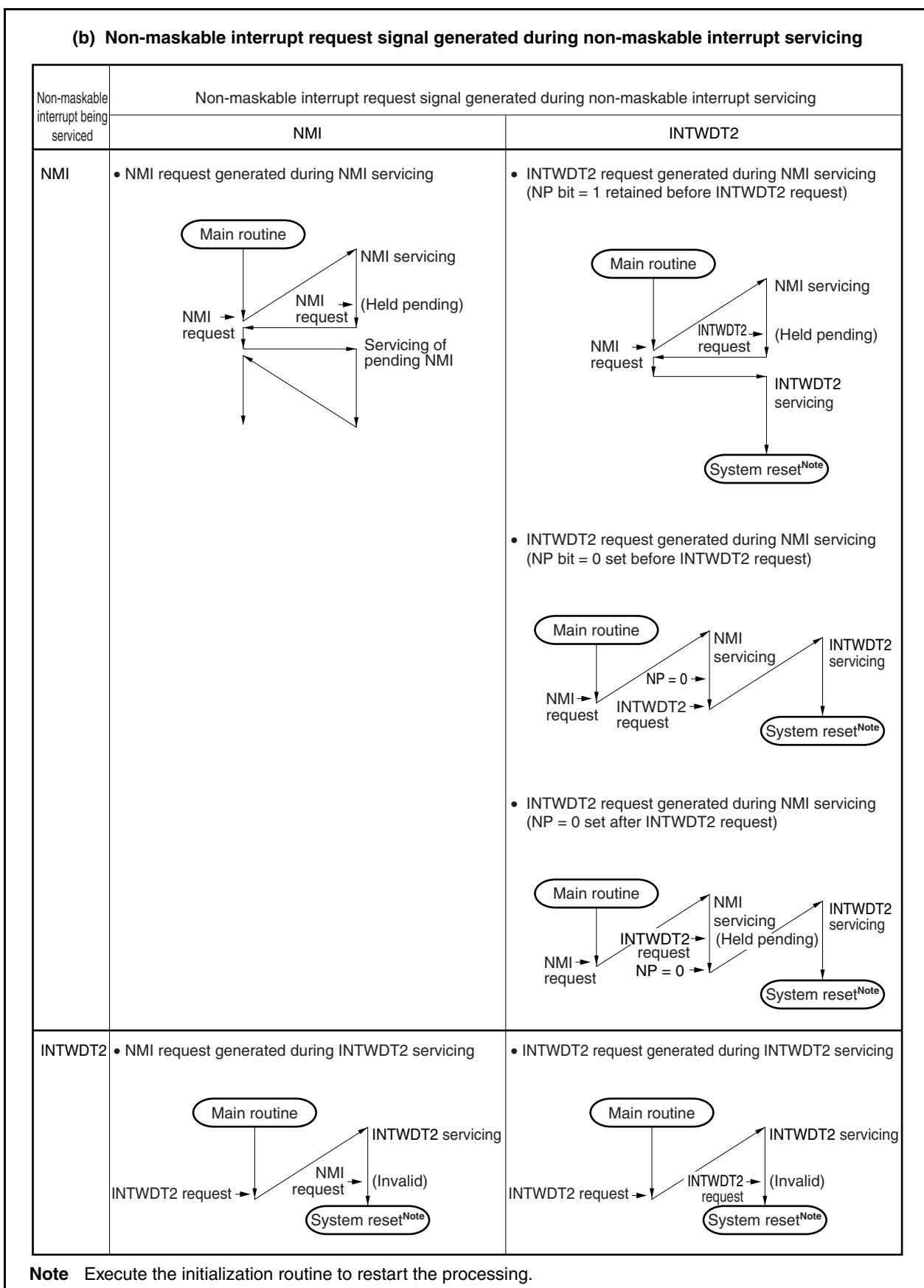


Figure 22-1. Non-Maskable Interrupt Request Signal Acknowledgment Operation (2/2)



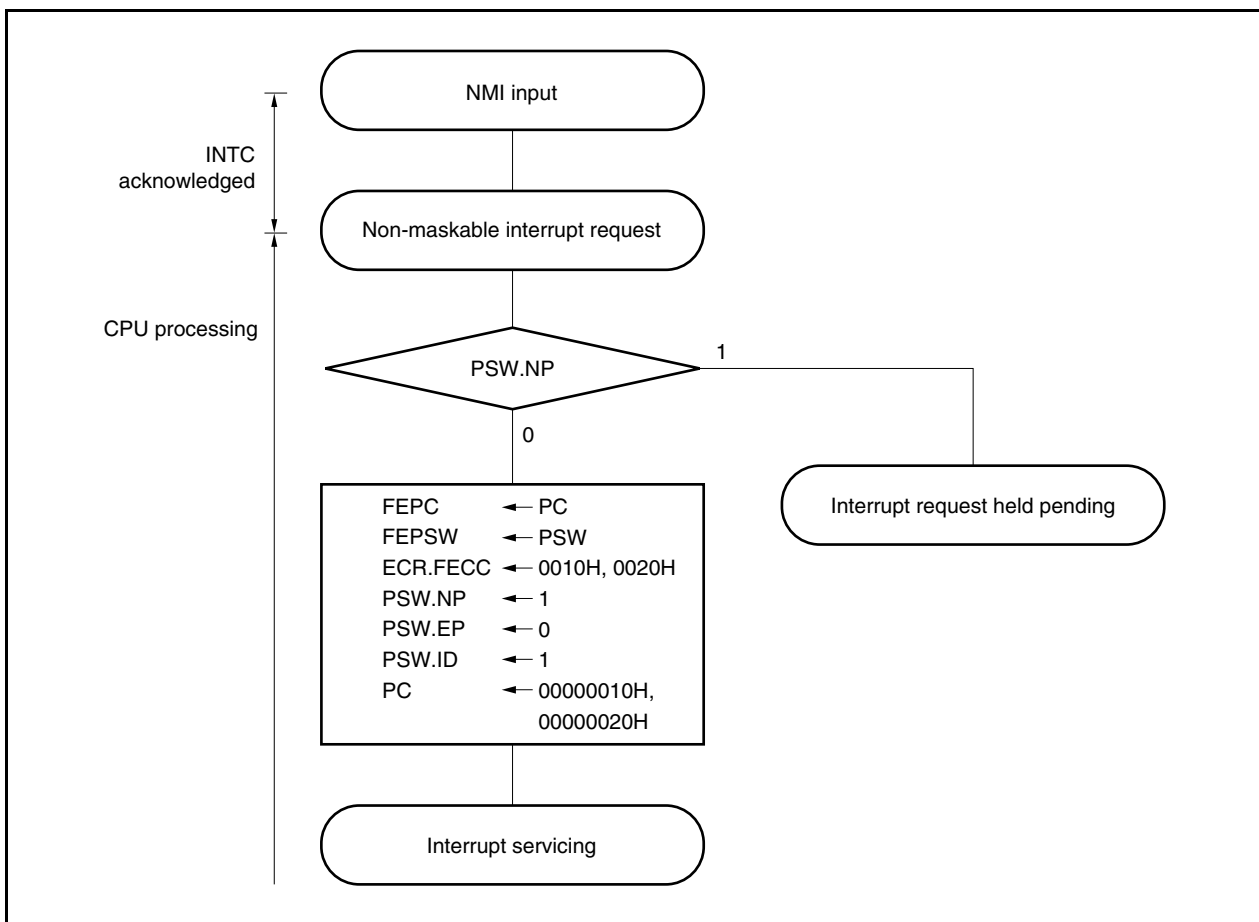
22.2.1 Operation

If a non-maskable interrupt request signal is generated, the CPU performs the following processing and transfers control to the handler routine.

- <1> Saves the current PC to FEPC.
- <2> Saves the current PSW to FEPSW.
- <3> Writes exception code (0010H, 0020H) to the higher halfword (FECC) of ECR.
- <4> Sets the PSW.NP and PSW.ID bits to 1 and clears the PSW.EP bit to 0.
- <5> Sets the handler address (00000010H, 00000020H) corresponding to the non-maskable interrupt to the PC, and transfers control.

The servicing of a non-maskable interrupt is shown below.

Figure 22-2. Non-Maskable Interrupt Servicing



22.2.2 Restoration

(1) From NMI pin input

Execution is returned from NMI servicing by using the RETI instruction.

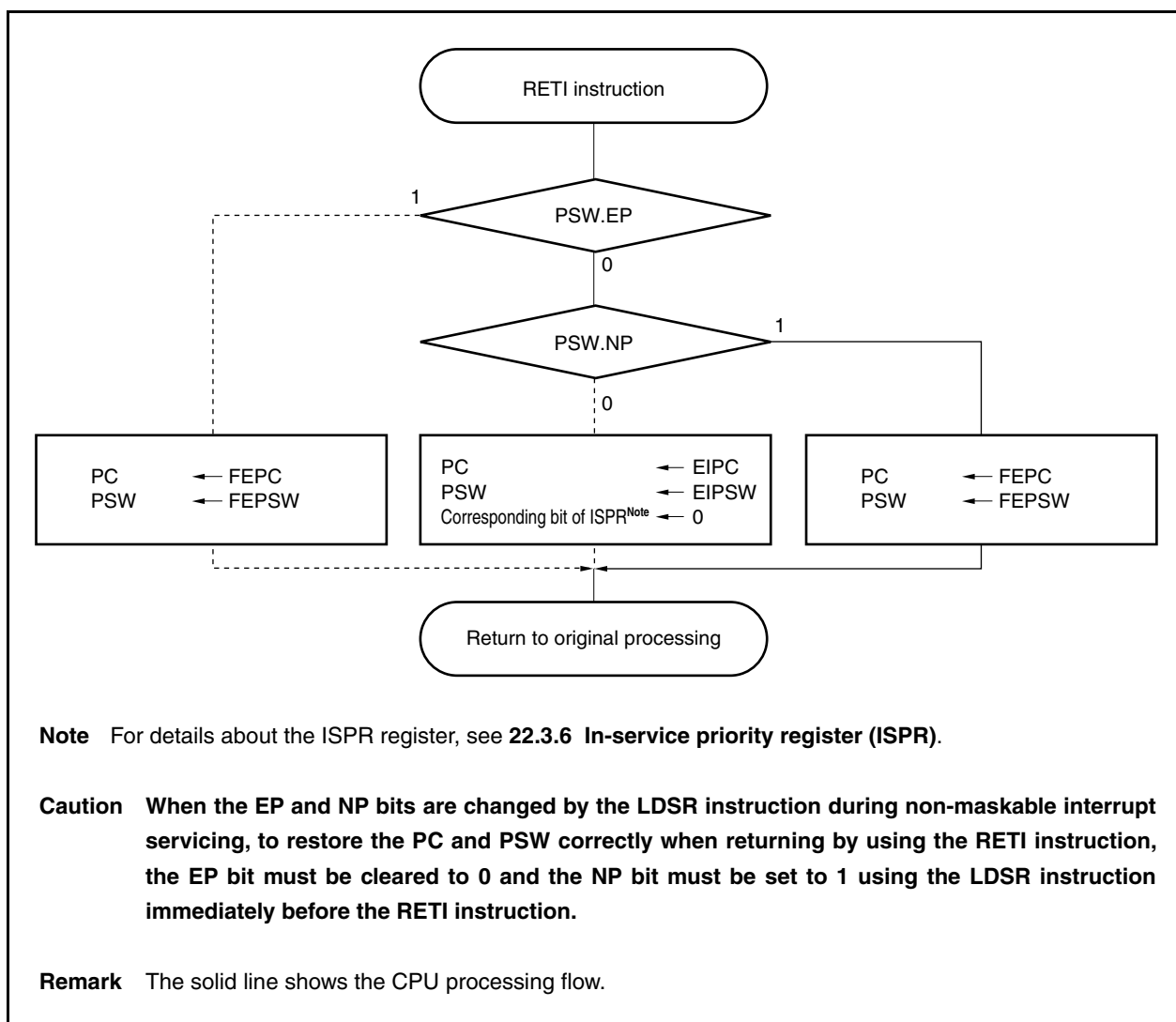
When the RETI instruction is executed, the CPU performs the following processing and transfers control to the address of the restored PC.

<1> Loads the saved PC and PSW from FEPC and FEPSW, respectively, because the PSW.EP bit is 0 and the PSW.NP bit is 1.

<2> Transfers control back to the address of the restored PC and PSW.

The processing of the RETI instruction is shown below.

Figure 22-3. RETI Instruction Processing

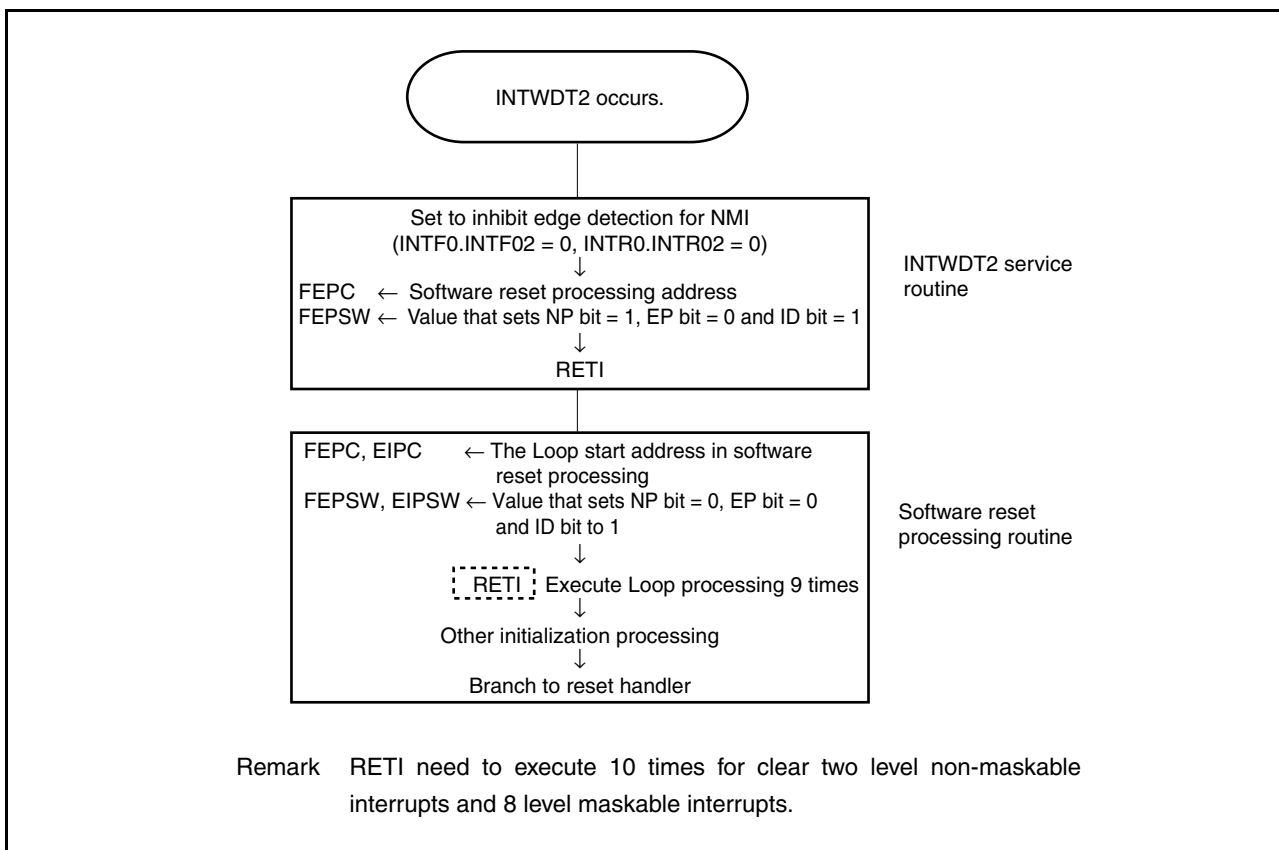


(2) From INTWDT2 signal

Non-maskable interrupt servicing executed by INTWDT2 cannot be returned from by using the RETI instruction. To return from such servicing, execute the following software reset processing to initialize any interrupt servicing and branch to reset handler.

In the software reset processing, however, the registers that can be set up only once immediately after a reset ends (such as the WDTM2 register) cannot be set up again. To reset these registers to their initial statuses, a hardware reset such as reset pin input is required.

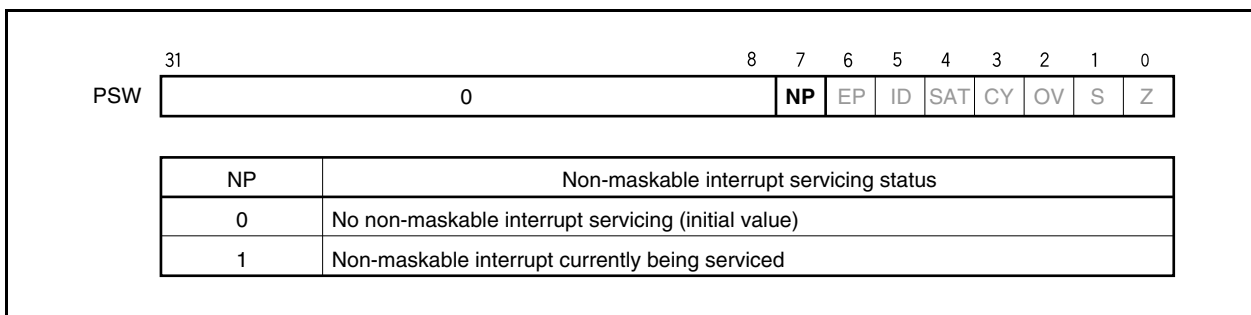
Figure 22-4. Software Reset Processing



22.2.3 NP flag

The NP flag is a status flag that indicates that a non-maskable interrupt is being serviced.

This flag is set when a non-maskable interrupt request signal has been acknowledged, and masks non-maskable interrupt requests to prohibit multiple interrupts from being acknowledged.



22.3 Maskable Interrupts

Maskable interrupt request signals can be masked by interrupt control registers. The V850ES/JG3-L has 55 maskable interrupt sources.

When an interrupt request signal has been acknowledged, interrupts are disabled (DI) and subsequent maskable interrupt request signals are not acknowledged.

When the EI instruction is executed in an interrupt service routine, interrupts are enabled (EI), which enables acknowledgment of interrupt request signals having a priority higher than that of the interrupt request signal currently being serviced. Interrupt request signals with the same priority level cannot be nested.

For details about multiple interrupts, see **22.6 Multiple Interrupt Servicing Control**.

22.3.1 Operation

If a maskable interrupt request signal is generated, the CPU performs the following processing and transfers control to the handler routine.

- <1> Saves the current PC to EIPC.
- <2> Saves the current PSW to EIPSW.
- <3> Writes an exception code to the lower halfword of ECR (EICC).
- <4> Sets the PSW.ID bit to 1 and clears the PSW.EP bit to 0.
- <5> Loads the corresponding handler address to the PC and transfers control.

A maskable interrupt request signal masked by the interrupt controller (INTC)(xxMK bit = 1) and a maskable interrupt request signal generated while another interrupt is being serviced (while the PSW.NP bit is 1 or the PSW.ID bit is 1) are held pending in the INTC. The cause of being held pending and the workaround are described below.

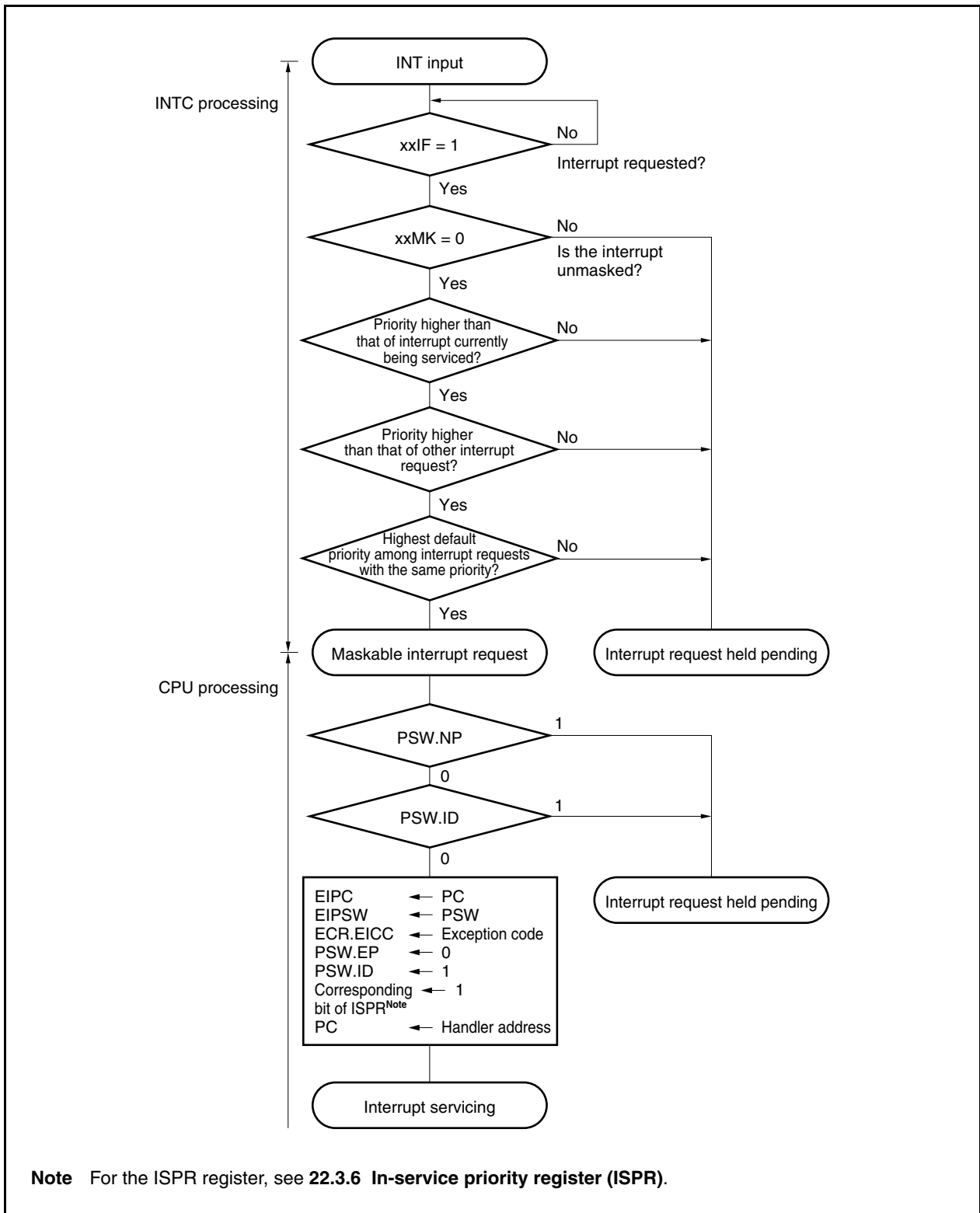
Table 22-2. Maskable Interrupts Held Pending

Cause	Workaround
xxMK bit = 1	Unmask the signal (clear xxMK bit to 0).
Another interrupt having higher priority is being held pending	Wait for the servicing of the interrupt to end.
PSW.NP bit = 1 and PSW.ID bit = 1	Set the NP bit to 0 and the ID bit to 1 by using the RETI and LDSR instructions.

Remark For details about the xxMK bit, see **22.3.4 Interrupt control register (xxICn)**.

Figure 22-5 shows the servicing of maskable interrupts.

Figure 22-5. Maskable Interrupt Servicing



22.3.2 Restoration

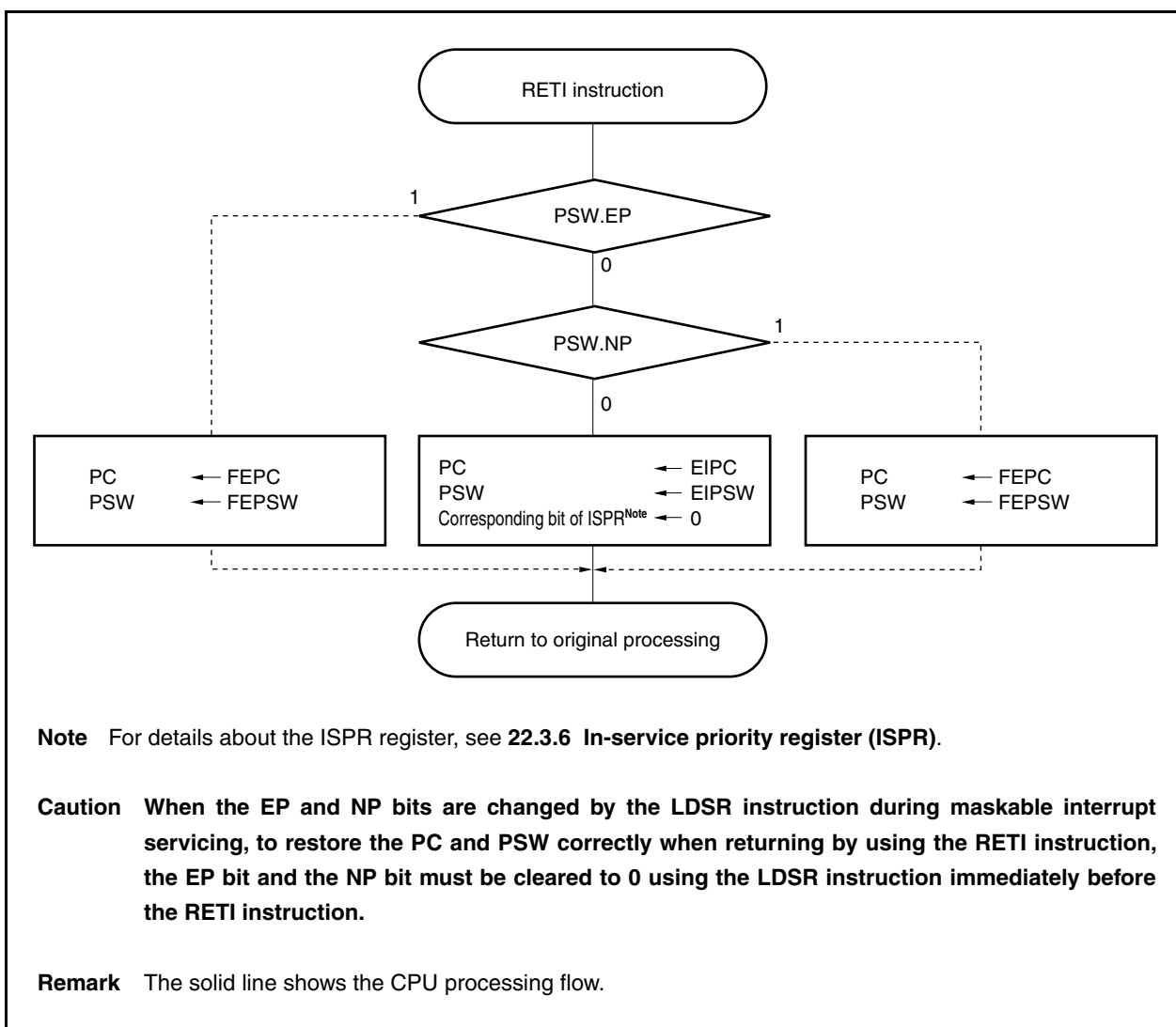
Execution is returned from maskable interrupt servicing by using the RETI instruction.

When the RETI instruction is executed, the CPU performs the following processing and transfers control to the address of the restored PC.

- <1> Loads the saved PC and PSW from EIPC and EIPSW, respectively, because the PSW.EP bit is 0 and the PSW.NP bit is 0.
- <2> Transfers control back to the address of the restored PC and PSW.

The processing of the RETI instruction is shown below.

Figure 22-6. RETI Instruction Processing



22.3.3 Priorities of maskable interrupts

The INTC can acknowledge an interrupt while servicing another. Interrupts that occur at the same time are serviced according to their priority order.

There are two types of priority level control: control based on the programmable priority levels that are specified by the interrupt priority level specification bit (xxPRn) of the interrupt control register (xxICn), and control based on the default priority levels. Programmable priority control classifies interrupt request signals into eight levels according to the setting of the xxPRn flag. When multiple interrupts having the same priority level specified by the xxPRn bit occur at the same time, the interrupts are serviced according to the priority levels assigned to the corresponding interrupt requests (default priority level) beforehand. For details, see **Table 22-1 Interrupt Source List**.

For details about multiple interrupts, see **22.6 Multiple Interrupt Servicing Control**.

Remark xx: Identification name of each peripheral unit (see **Table 22-3 Interrupt Control Registers (xxICn)**)
n: Peripheral unit number (see **Table 22-3 Interrupt Control Registers (xxICn)**).

Figure 22-7. Example of Processing in Which Another Interrupt Request Signal Is Issued While an Interrupt Is Being Serviced (1/2)

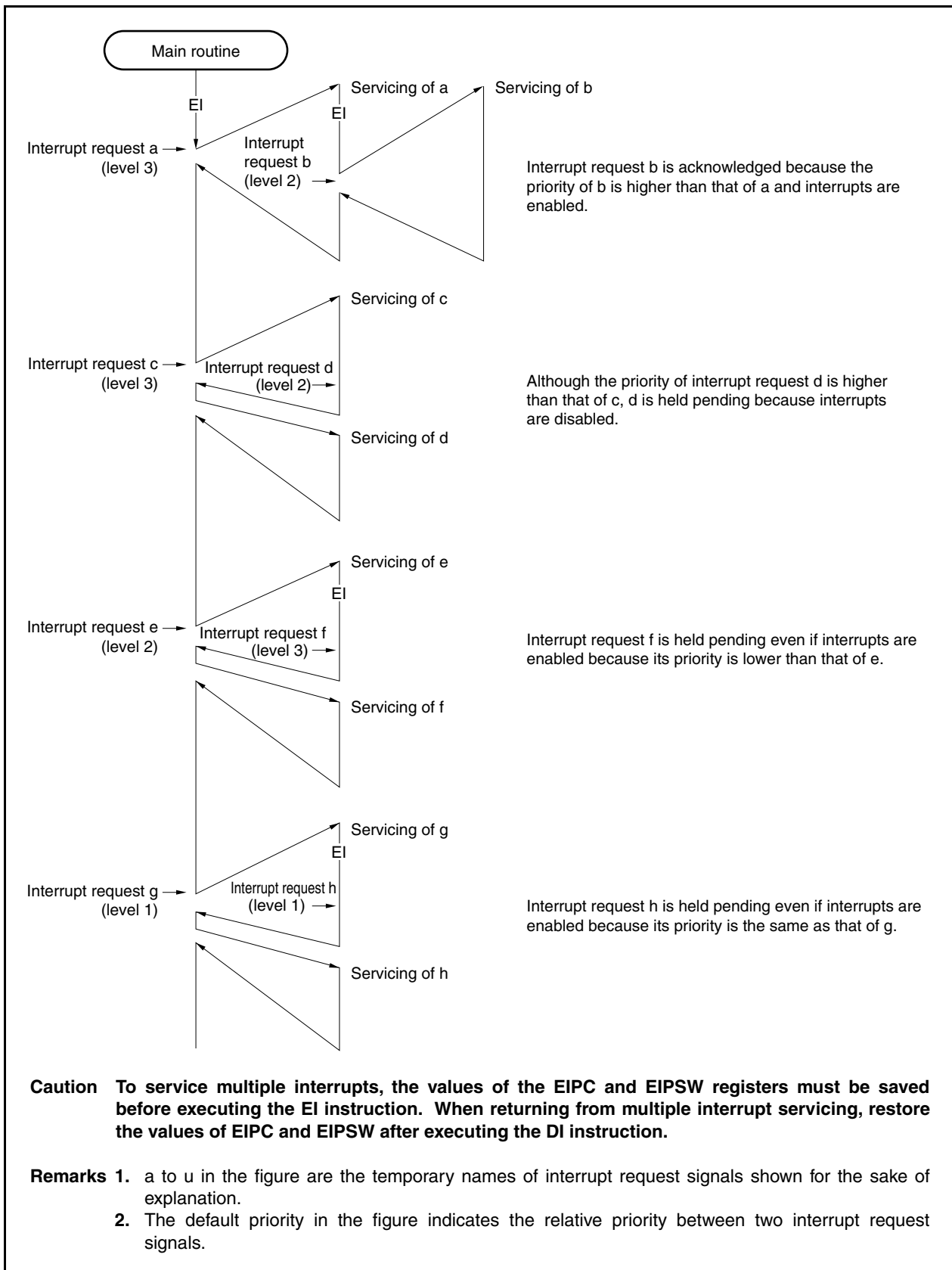


Figure 22-7. Example of Processing in Which Another Interrupt Request Signal Is Issued While an Interrupt Is Being Serviced (2/2)

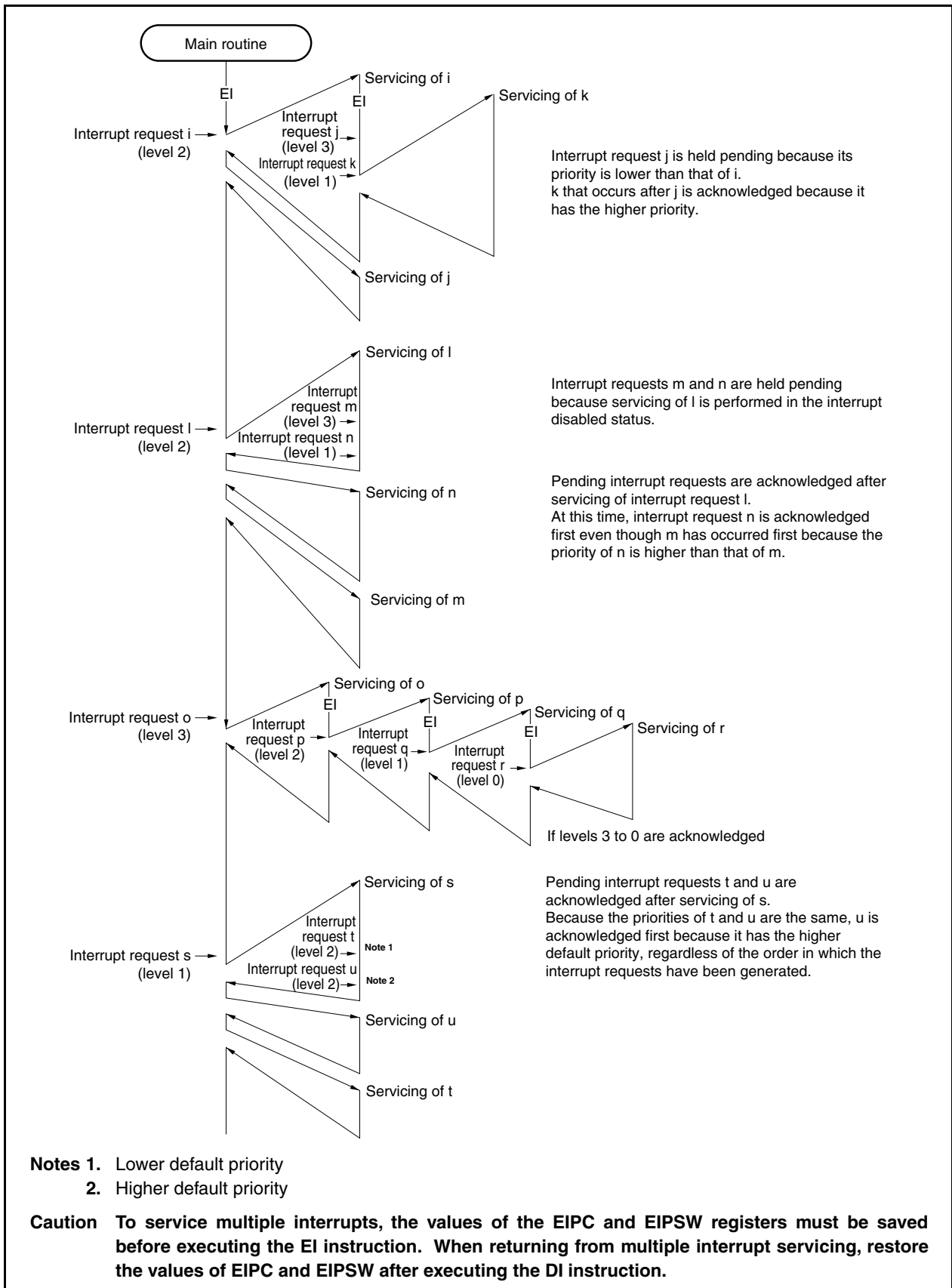
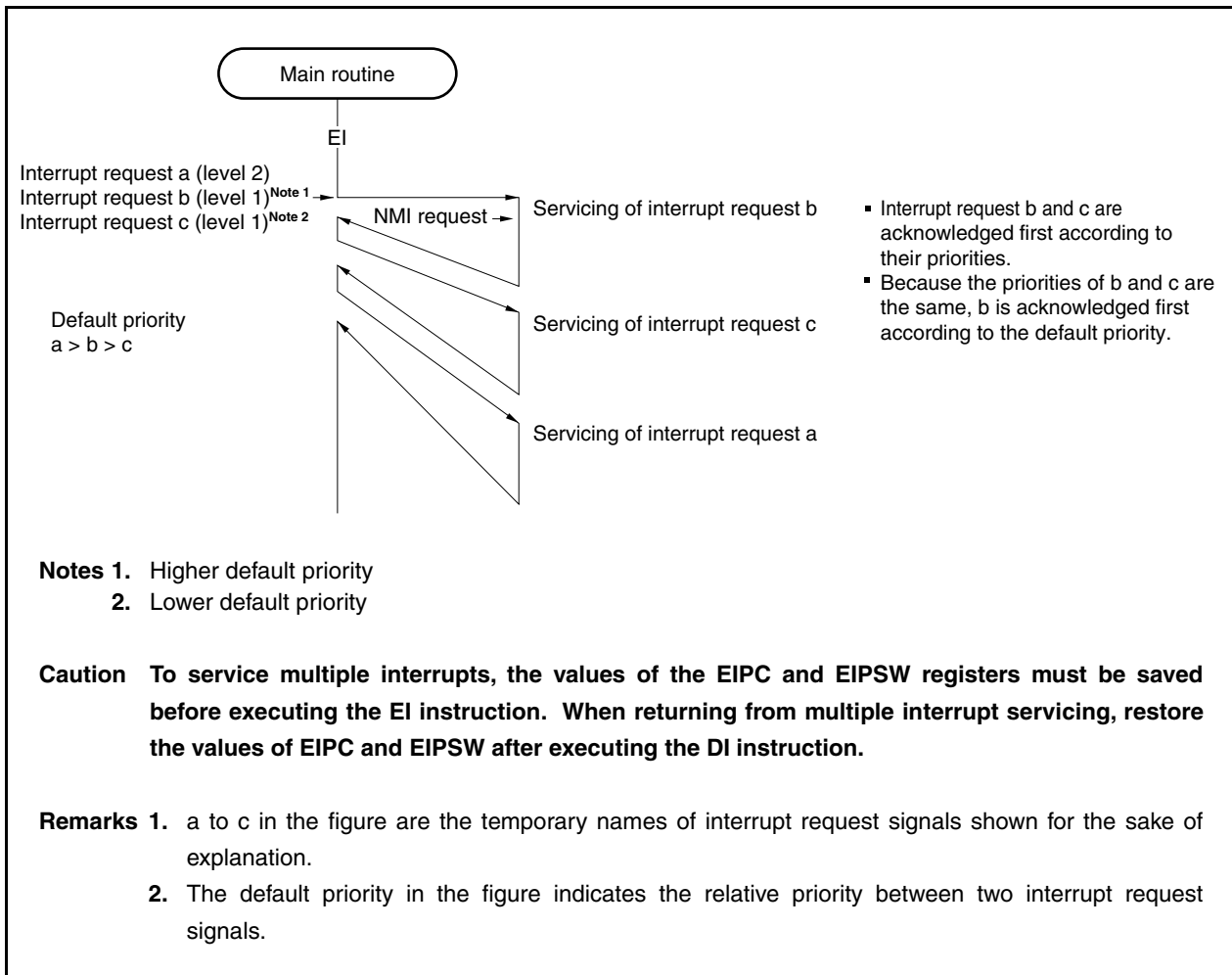


Figure 22-8. Example of Servicing Interrupt Requests Generated Simultaneously



22.3.4 Interrupt control register (xxICn)

An xxICn register is assigned to each interrupt request signal (maskable interrupt) and sets the control conditions for each maskable interrupt request.

This register can be read or written in 8-bit or 1-bit units.

Reset sets this register to 47H.

- Cautions**
1. To mask interrupts, set up the IMR register or use a bit manipulation instruction. The priority levels must be specified at a time when no interrupt will occur.
 2. Disable interrupts (DI) before reading the xxICn.xxIFn bit. If the xxIFn bit is read while interrupts are enabled (EI), the correct value may not be read if acknowledging an interrupt and reading the bit conflict.

After reset: 47H								R/W		Address: FFFFF110H to FFFFF17CH							
xxICn	<7>	<6>	5	4	3	2	1	0									
	xxIFn	xxMKn	0	0	0	xxPRn2	xxPRn1	xxPRn0									
xxIFn		Interrupt request flag ^{Note}															
0		Interrupt request not issued															
1		Interrupt request issued															
xxMKn		Interrupt mask flag															
0		Interrupt servicing enabled															
1		Interrupt servicing disabled (pending)															
xxPRn2	xxPRn1	xxPRn0	Interrupt priority specification bit														
0	0	0	Specifies level 0 (highest).														
0	0	1	Specifies level 1.														
0	1	0	Specifies level 2.														
0	1	1	Specifies level 3.														
1	0	0	Specifies level 4.														
1	0	1	Specifies level 5.														
1	1	0	Specifies level 6.														
1	1	1	Specifies level 7 (lowest).														

Note The flag xxIFn is reset automatically by the hardware if an interrupt request signal is acknowledged.

Remark xx: Identification name of each peripheral unit (see **Table 22-3 Interrupt Control Registers (xxICn)**)
n: Peripheral unit number (see **Table 22-3 Interrupt Control Registers (xxICn)**).

The addresses and bits of the interrupt control registers are as follows.

Table 22-3. Interrupt Control Registers (xxICn) (1/2)

Address	Register	Bit							
		<7>	<6>	5	4	3	2	1	0
FFFFF110H	LVIIC	LVIIIF	LVIMK	0	0	0	LVIPR2	LVIPR1	LVIPR0
FFFFF112H	PIC0	PIF0	PMK0	0	0	0	PPR02	PPR01	PPR00
FFFFF114H	PIC1	PIF1	PMK1	0	0	0	PPR12	PPR11	PPR10
FFFFF116H	PIC2	PIF2	PMK2	0	0	0	PPR22	PPR21	PPR20
FFFFF118H	PIC3	PIF3	PMK3	0	0	0	PPR32	PPR31	PPR30
FFFFF11AH	PIC4	PIF4	PMK4	0	0	0	PPR42	PPR41	PPR40
FFFFF11CH	PIC5	PIF5	PMK5	0	0	0	PPR52	PPR51	PPR50
FFFFF11EH	PIC6	PIF6	PMK6	0	0	0	PPR62	PPR61	PPR60
FFFFF120H	PIC7	PIF7	PMK7	0	0	0	PPR72	PPR71	PPR70
FFFFF122H	TQ0OVIC	TQ0OVIF	TQ0OVMK	0	0	0	TQ0OVPR2	TQ0OVPR1	TQ0OVPR0
FFFFF124H	TQ0CCIC0	TQ0CCIF0	TQ0CCMK0	0	0	0	TQ0CCPR02	TQ0CCPR01	TQ0CCPR00
FFFFF126H	TQ0CCIC1	TQ0CCIF1	TQ0CCMK1	0	0	0	TQ0CCPR12	TQ0CCPR11	TQ0CCPR10
FFFFF128H	TQ0CCIC2	TQ0CCIF2	TQ0CCMK2	0	0	0	TQ0CCPR22	TQ0CCPR21	TQ0CCPR20
FFFFF12AH	TQ0CCIC3	TQ0CCIF3	TQ0CCMK3	0	0	0	TQ0CCPR32	TQ0CCPR31	TQ0CCPR30
FFFFF12CH	TP0OVIC	TP0OVIF	TP0OVMK	0	0	0	TP0OVPR2	TP0OVPR1	TP0OVPR0
FFFFF12EH	TP0CCIC0	TP0CCIF0	TP0CCMK0	0	0	0	TP0CCPR02	TP0CCPR01	TP0CCPR00
FFFFF130H	TP0CCIC1	TP0CCIF1	TP0CCMK1	0	0	0	TP0CCPR12	TP0CCPR11	TP0CCPR10
FFFFF132H	TP1OVIC/ UFIC1	TP1OVIF/ UFIF1	TP1OVMK/ UFMK1	0	0	0	TP1OVPR2/ UFPPR12	TP1OVPR1/ UFPPR11	TP1OVPR0/ UFPPR10
FFFFF134H	TP1CCIC0	TP1CCIF0	TP1CCMK0	0	0	0	TP1CCPR02	TP1CCPR01	TP1CCPR00
FFFFF136H	TP1CCIC1/ UFIC0	TP1CCIF1/ UFIF0	TP1CCMK1/ UFMK0	0	0	0	TP1CCPR12/ UFPPR02	TP1CCPR11/ UFPPR01	TP1CCPR10/ UFPPR00
FFFFF138H	TP2OVIC	TP2OVIF	TP2OVMK	0	0	0	TP2OVPR2	TP2OVPR1	TP2OVPR0
FFFFF13AH	TP2CCIC0	TP2CCIF0	TP2CCMK0	0	0	0	TP2CCPR02	TP2CCPR01	TP2CCPR00
FFFFF13CH	TP2CCIC1	TP2CCIF1	TP2CCMK1	0	0	0	TP2CCPR12	TP2CCPR11	TP2CCPR10
FFFFF13EH	TP3OVIC /UA5RIC	TP3OVIF /UA5RIF	TP3OVMK /UA5RMK	0	0	0	TP3OVPR2 /UA5RPR2	TP3OVPR1 /UA5RPR1	TP3OVPR0 /UA5RPR0
FFFFF140H	TP3CCIC0	TP3CCIF0	TP3CCMK0	0	0	0	TP3CCPR02	TP3CCPR01	TP3CCPR00
FFFFF142H	TP3CCIC1 /UA5TIC	TP3CCIF1 /UA5TIF	TP3CCMK1 /UA5TMK	0	0	0	TP3CCPR12 /UA5TPR2	TP3CCPR11 /UA5TPR1	TP3CCPR10 /UA5TPR0
FFFFF144H	TP4OVIC	TP4OVIF	TP4OVMK	0	0	0	TP4OVPR2	TP4OVPR1	TP4OVPR0
FFFFF146H	TP4CCIC0	TP4CCIF0	TP4CCMK0	0	0	0	TP4CCPR02	TP4CCPR01	TP4CCPR00
FFFFF148H	TP4CCIC1	TP4CCIF1	TP4CCMK1	0	0	0	TP4CCPR12	TP4CCPR11	TP4CCPR10
FFFFF14AH	TP5OVIC	TP5OVIF	TP5OVMK	0	0	0	TP5OVPR2	TP5OVPR1	TP5OVPR0
FFFFF14CH	TP5CCIC0	TP5CCIF0	TP5CCMK0	0	0	0	TP5CCPR02	TP5CCPR01	TP5CCPR00
FFFFF14EH	TP5CCIC1	TP5CCIF1	TP5CCMK1	0	0	0	TP5CCPR12	TP5CCPR11	TP5CCPR10
FFFFF150H	TM0EQIC0	TM0EQIF0	TM0EQMK0	0	0	0	TM0EQPR02	TM0EQPR01	TM0EQPR00
FFFFF152H	CB0RIC/ IICIC1	CB0RIF/ IICIF1	CB0RMK/ IICMK1	0	0	0	CB0RPR2/ IICPR12	CB0RPR1/ IICPR11	CB0RPR0/ IICPR10
FFFFF154H	CB0TIC	CB0TIF	CB0TMK	0	0	0	CB0TPR2	CB0TPR1	CB0TPR0
FFFFF156H	CB1RIC	CB1RIF	CB1RMK	0	0	0	CB1RPR2	CB1RPR1	CB1RPR0
FFFFF158H	CB1TIC	CB1TIF	CB1TMK	0	0	0	CB1TPR2	CB1TPR1	CB1TPR0
FFFFF15AH	CB2RIC	CB2RIF	CB2RMK	0	0	0	CB2RPR2	CB2RPR1	CB2RPR0
FFFFF15CH	CB2TIC	CB2TIF	CB2TMK	0	0	0	CB2TPR2	CB2TPR1	CB2TPR0
FFFFF15EH	CB3RIC	CB3RIF	CB3RMK	0	0	0	CB3RPR2	CB3RPR1	CB3RPR0

Table 22-3. Interrupt Control Registers (xxICn) (2/2)

Address	Register	Bit							
		<7>	<6>	5	4	3	2	1	0
FFFFFF160H	CB3TIC	CB3TIF	CB3TMK	0	0	0	CB3TPR2	CB3TPR1	CB3TPR0
FFFFFF162H	UA0RIC/ CB4RIC	UA0RIF/ CB4RIF	UA0RMK/ CB4RMK	0	0	0	UA0RPR2/ CB4RPR2	UA0RPR1/ CB4RPR1	UA0RPR0/ CB4RPR0
FFFFFF164H	UA0TIC/ CB4TIC	UA0TIF/ CB4TIF	UA0TMK/ CB4TMK	0	0	0	UA0TPR2/ CB4TPR2	UA0TPR1/ CB4TPR1	UA0TPR0/ CB4TPR0
FFFFFF166H	UA1RIC/ IICIC2	UA1RIF/ IICIF2	UA1RMK/ IICMK2	0	0	0	UA1RPR2/ IICPR22	UA1RPR1/ IICPR21	UA1RPR0/ IICPR20
FFFFFF168H	UA1TIC	UA1TIF	UA1TMK	0	0	0	UA1TPR2	UA1TPR1	UA1TPR0
FFFFFF16AH	UA2RIC/ IICIC0	UA2RIF/ IICIF0	UA2RMK/ IICMK0	0	0	0	UA2RPR2/ IICPR02	UA2RPR1/ IICPR01	UA2RPR0/ IICPR00
FFFFFF16CH	UA2TIC	UA2TIF	UA2TMK	0	0	0	UA2TPR2	UA2TPR1	UA2TPR0
FFFFFF16EH	ADIC	ADIF	ADMK	0	0	0	ADPR2	ADPR1	ADPR0
FFFFFF170H	DMAIC0	DMAIF0	DMAMK0	0	0	0	DMAPR02	DMAPR01	DMAPR00
FFFFFF172H	DMAIC1	DMAIF1	DMAMK1	0	0	0	DMAPR12	DMAPR11	DMAPR10
FFFFFF174H	DMAIC2	DMAIF2	DMAMK2	0	0	0	DMAPR22	DMAPR21	DMAPR20
FFFFFF176H	DMAIC3	DMAIF3	DMAMK3	0	0	0	DMAPR32	DMAPR31	DMAPR30
FFFFFF178H	KRIC	KRIF	KRMK	0	0	0	KRPR2	KRPR1	KRPR0
FFFFFF17AH	WTIIC /RTC2IC	WTIIF /RTC2IF	WTIMK /RTC2MK	0	0	0	WTIPR2 /RTC2PPR2	WTIPR1 /RTC2PPR1	WTIPR0 /RTC2PPR0
FFFFFF17CH	WTIC /RTC0IC	WTIF /RTC0IF	WTMK /RTC0MK	0	0	0	WTPR2 /RTC0PPR2	WTPR1 /RTC0PPR1	WTPR0 /RTC0PPR0
FFFFFF17EH	RTC1IC	RTC1IF	RTC1MK	0	0	0	RTC1PPR2	RTC1PPR1	RTC1PPR0
FFFFFF180H	UA3RIC	UA3RIF	UA3RMK	0	0	0	UA3RPR2	UA3RPR1	UA3RPR0
FFFFFF182H	UA3TIC	UA3TIF	UA3TMK	0	0	0	UA3TPR2	UA3TPR1	UA3TPR0
FFFFFF184H	UA4RIC	UA4RIF	UA4RMK	0	0	0	UA4RPR2	UA4RPR1	UA4RPR0
FFFFFF186H	UA4TIC	UA4TIF	UA4TMK	0	0	0	UA4TPR2	UA4TPR1	UA4TPR0
FFFFFF188H	UC0RIC	UC0RIF	UC0RMK	0	0	0	UC0RPPR2	UC0RPPR1	UC0RPPR0
FFFFFF18AH	UC0TIC	UC0TIF	UC0TMK	0	0	0	UC0TPPR2	UC0TPPR1	UC0TPPR0

22.3.5 Interrupt mask registers 0 to 3 (IMR0 to IMR3)

The IMR0 to IMR3 registers specify masking of the maskable interrupts. The xxMKn bit of the IMR0 to IMR3 registers is equivalent to the xxICn.xxMKn bit.

Each IMRm register can be read or written in 16-bit units (m = 0 to 3).

If the higher 8 bits of each IMRm register are used as an IMRmH register and the lower 8 bits as an IMRmL register, these registers can be read or written in 8-bit or 1-bit units (m = 0 to 3).

Reset sets these registers to FFFFH.

Caution The device file defines the xxICn.xxMKn bit as a reserved word. If a bit is manipulated using the name of xxMKn, the values of the xxICn register, instead of the IMRm register, are rewritten (as a result, the values of the IMRm register are also rewritten).

After reset: FFFFH R/W Address: IMR3 FFFFF106H,
IMR3L FFFFF106H, IMR3H FFFFF107H

	15	14	13	12	11	10	9	8
IMR3 (IMR3H ^{Note})	1	1	UC0TMK	UC0RMK	UA4TMK	UA4RMK	UA3TMK	UA3RMK
	7	6	5	4	3	2	1	0
IMR3L	RTC1MK	WTMK/ RTC0MK	WTMK/ RTC2MK	KRMK	DMAMK3	DMAMK2	DMAMK1	DMAMK0

After reset: FFFFH R/W Address: IMR2 FFFFF104H,
IMR2L FFFFF104H, IMR2H FFFFF105H

	15	14	13	12	11	10	9	8
IMR2 (IMR2H ^{Note})	ADMK	UA2TMK	UA2RMK/ IICMK0	UA1TMK	UA1RMK/ IIC2MK	UA0TMK/ CB4TMK	UA0RMK/ CB4RMK	CB3TMK
	7	6	5	4	3	2	1	0
IMR2L	CB3RMK	CB2TMK	CB2RMK	CB1TMK	CB1RMK	CB0TMK	CB0RMK/ IICMK1	TM0EQMK0

After reset: FFFFH R/W Address: IMR1 FFFFF102H,
IMR1L FFFFF102H, IMR1H FFFFF103H

	15	14	13	12	11	10	9	8
IMR1 (IMR1H ^{Note})	TP5CCMK1	TP5CCMK0	TP5OVMK	TP4CCMK1	TP4CCMK0	TP4OVMK	TP3CCMK1/ UA5TMK	TP3CCMK0
	7	6	5	4	3	2	1	0
IMR1L	TP3OVMK/ UA5RMK	TP2CCMK1	TP2CCMK0	TP2OVMK	TP1CCMK1/ UFMK0	TP1CCMK0	TP1OVMK/ UFMK1	TP0CCMK1

After reset: FFFFH R/W Address: IMR0 FFFFF100H,
IMR0L FFFFF100H, IMR0H FFFFF101H

	15	14	13	12	11	10	9	8
IMR0 (IMR0H ^{Note})	TP0CCMK0	TP0OVMK	TQ0CCMK3	TQ0CCMK2	TQ0CCMK1	TQ0CCMK0	TQ0OVMK	PMK7
	7	6	5	4	3	2	1	0
IMR0L	PMK6	PMK5	PMK4	PMK3	PMK2	PMK1	PMK0	LVIMK

xxMKn	Setting of interrupt mask flag
0	Interrupt servicing enabled
1	Interrupt servicing disabled

Note To read or write bits 8 to 15 of the IMR0 to IMR3 registers in 8-bit or 1-bit units, specify them as bits 0 to 7 of IMR0H to IMR3H registers.

Caution Set bits 14 and 15 of the IMR3 register to 1. If the setting of these bits is changed, the operation is not guaranteed.

Remark xx: Identification name of each peripheral unit (see Table 22-3 Interrupt Control Registers (xxICn)).

n: Peripheral unit number (see Table 22-3 Interrupt Control Registers (xxICn)).

22.3.6 In-service priority register (ISPR)

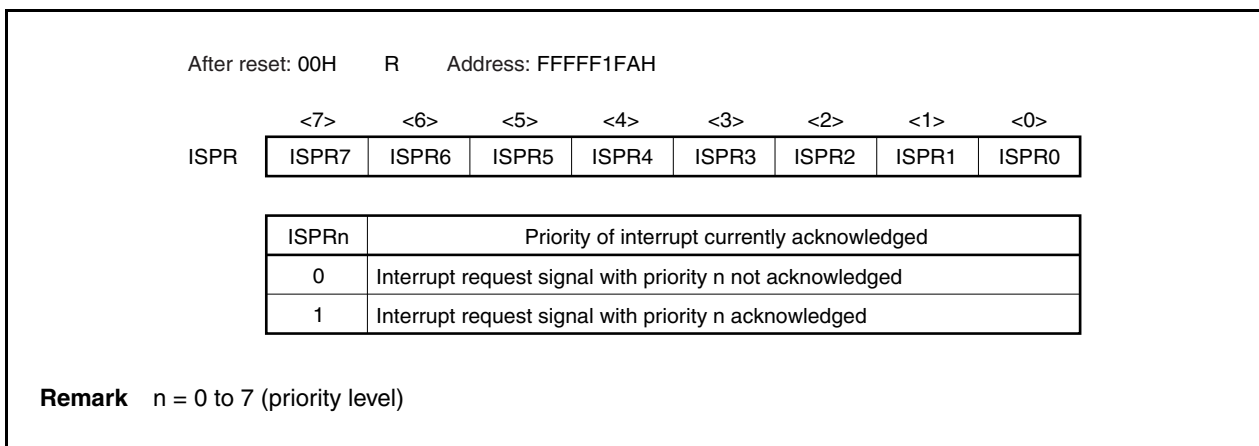
The ISPR register holds the priority level of the maskable interrupt currently acknowledged. When an interrupt request signal is acknowledged, the bit of this register corresponding to the priority level of that interrupt request signal is set to 1 and remains set while the interrupt is serviced.

When the RETI instruction is executed, the bit corresponding to the interrupt request signal having the highest priority is automatically reset to 0 by hardware. However, it is not reset to 0 when execution is returned from non-maskable interrupt servicing or exception processing.

This register is read-only, in 8-bit or 1-bit units.

Reset sets this register to 00H.

Caution If an interrupt is acknowledged while the ISPR register is being read in the interrupt enabled (EI) status, the value of the ISPR register after the bits of the register have been set by acknowledging the interrupt may be read. To accurately read the value of the ISPR register before an interrupt is acknowledged, read the register while interrupts are disabled (DI).



22.3.7 ID flag

This flag stores information regarding enabling or disabling maskable interrupt request signals. The interrupt disable flag (ID) is assigned to the PSW.

Reset sets this flag to 1 and the PSW register to 00000020H.

After reset: 00000020H

31	8	7	6	5	4	3	2	1	0			
PSW				0	NP	EP	ID	SAT	CY	OV	S	Z

ID	Specification of maskable interrupt servicing ^{Note}
0	Maskable interrupt request signal acknowledgment enabled
1	Maskable interrupt request signal acknowledgment disabled

Note Interrupt disable flag (ID) function

This bit is set to 1 by the DI instruction and cleared to 0 by the EI instruction. Its value is also rewritten by the RETI instruction, or by an LDSR instruction that writes data to the PSW.

Non-maskable interrupt request signals and exceptions are acknowledged regardless of this flag. When a maskable interrupt request signal is acknowledged, the ID flag is automatically set to 1 by hardware.

An interrupt request signal generated during the acknowledgment disabled period (ID flag = 1) is acknowledged when the xxICn.xxIFn bit is set to 1, and the ID flag is cleared to 0.

22.3.8 Watchdog timer mode register 2 (WDTM2)

This register can be read or written in 8-bit units (for details, see **CHAPTER 12 WATCHDOG TIMER 2**).

Reset sets this register to 67H.

After reset: 67H R/W Address: FFFFF6D0H

7	6	5	4	3	2	1	0
WDTM2	0	WDM21	WDM20	0	0	0	0

WDM21	WDM20	Selection of watchdog timer operation mode
0	0	Stops operating
0	1	Non-maskable interrupt request mode
1	×	Reset mode (initial-value)

22.4 Software Exception

A software exception occurs when the CPU executes the TRAP instruction, and can always be acknowledged.

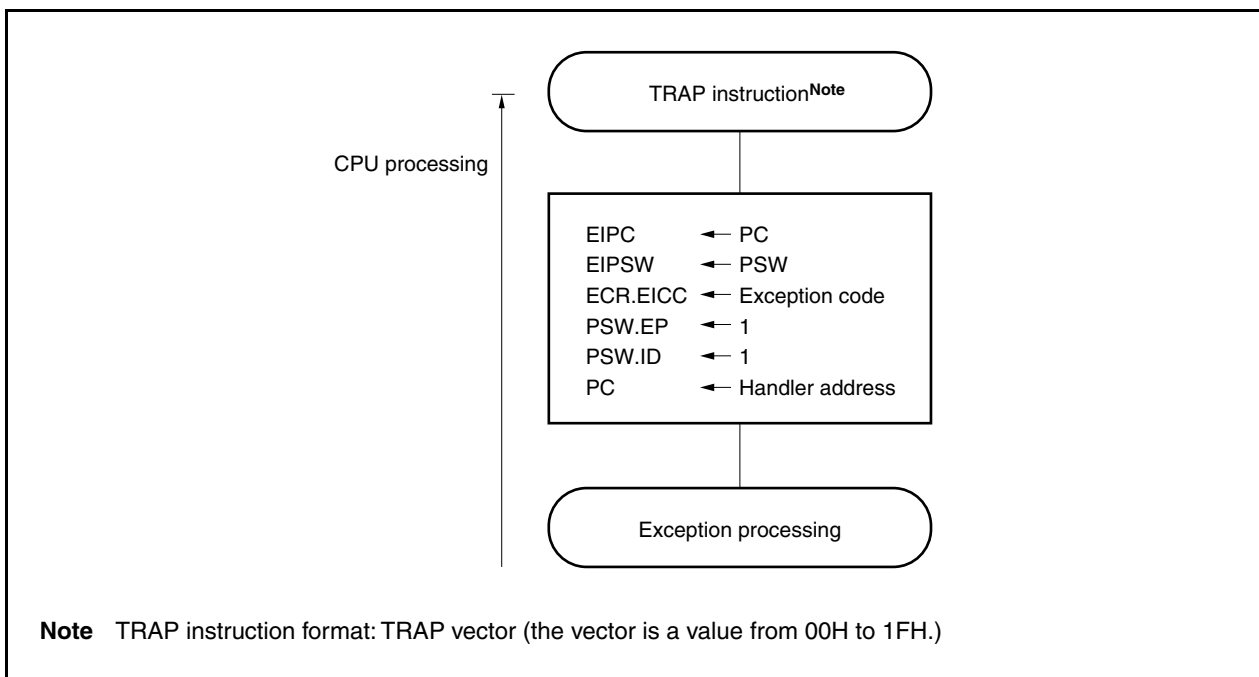
22.4.1 Operation

If a software exception occurs, the CPU performs the following processing and transfers control to the handler routine.

- <1> Saves the current PC to EIPC.
- <2> Saves the current PSW to EIPSW.
- <3> Writes an exception code to the lower 16 bits (EICC) of ECR (interrupt source).
- <4> Sets the PSW.EP and PSW.ID bits to 1.
- <5> Sets the handler address (00000040H or 00000050H) for the software exception to the PC and transfers control.

The processing of a software exception is shown below.

Figure 22-9. Software Exception Processing



The handler address is determined by the TRAP instruction's operand (vector). If the vector is 00H to 0FH, the handler address is 00000040H, and if the vector is 10H to 1FH, the handler address is 00000050H.

22.4.2 Restoration

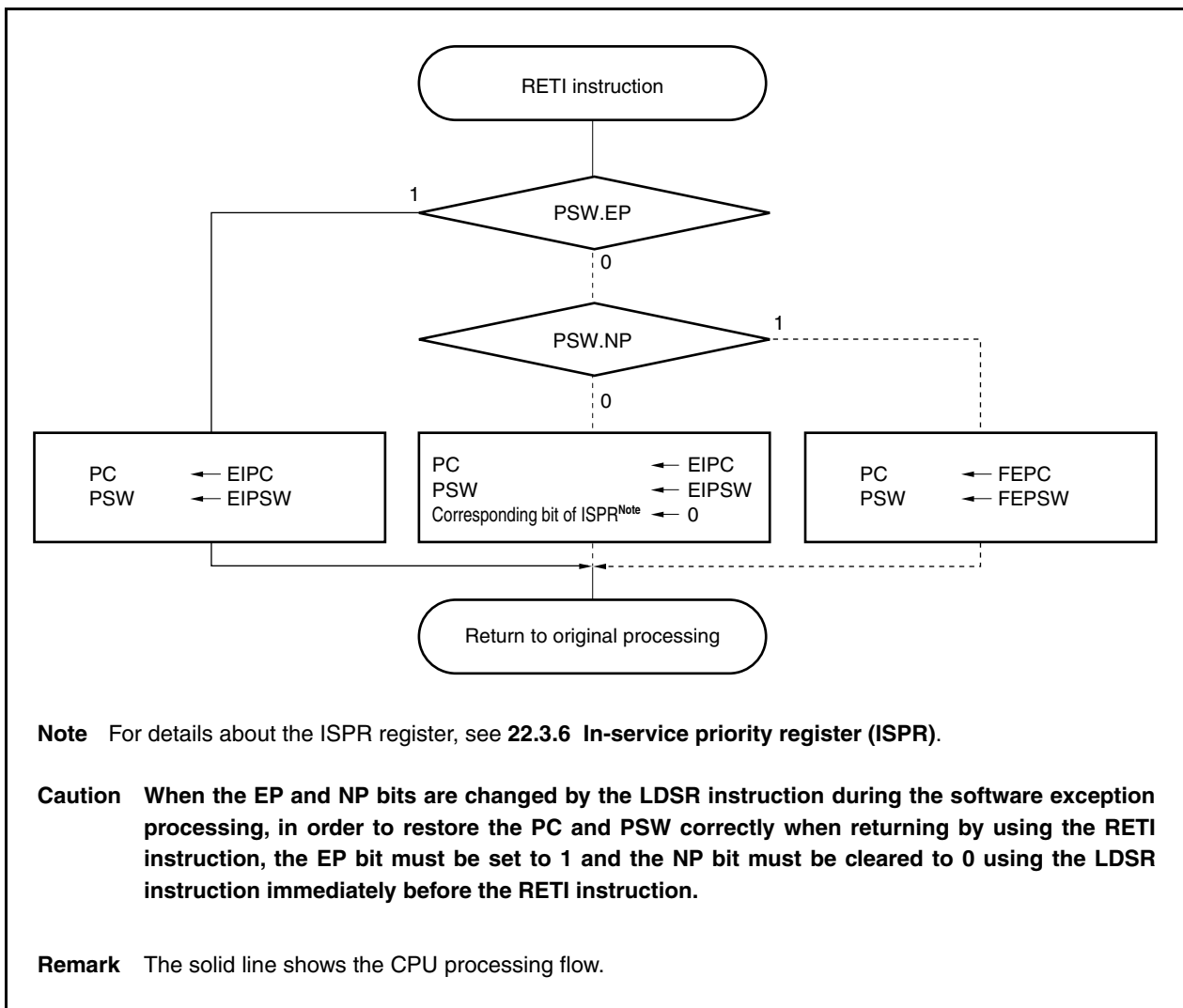
Execution is returned from software exception processing by the using RETI instruction.

When the RETI instruction is executed, the CPU performs the following processing and transfers control to the address of the restored PC.

- <1> Loads the saved PC and PSW from EIPC and EIPSW, respectively, because the PSW.EP bit is 1.
- <2> Transfers control back to the address of the restored PC and PSW.

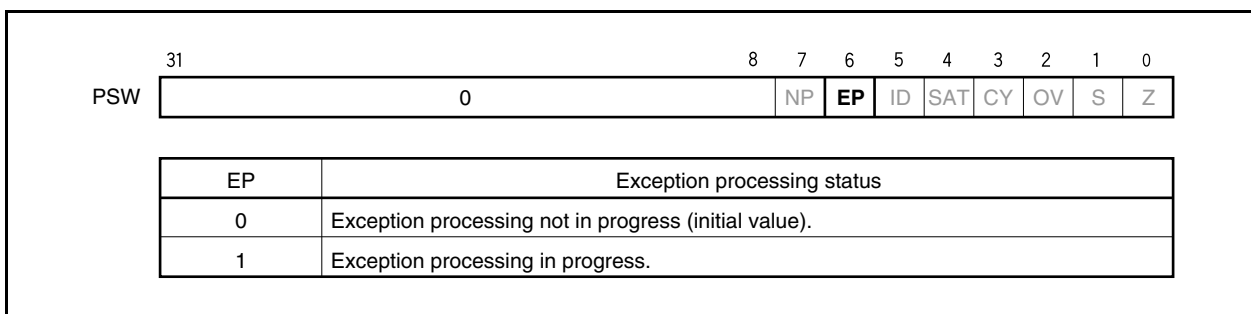
The processing of the RETI instruction is shown below.

Figure 22-10. RETI Instruction Processing



22.4.3 EP flag

The EP flag is a status flag that indicates that exception processing is in progress. This flag is set when an exception occurs.

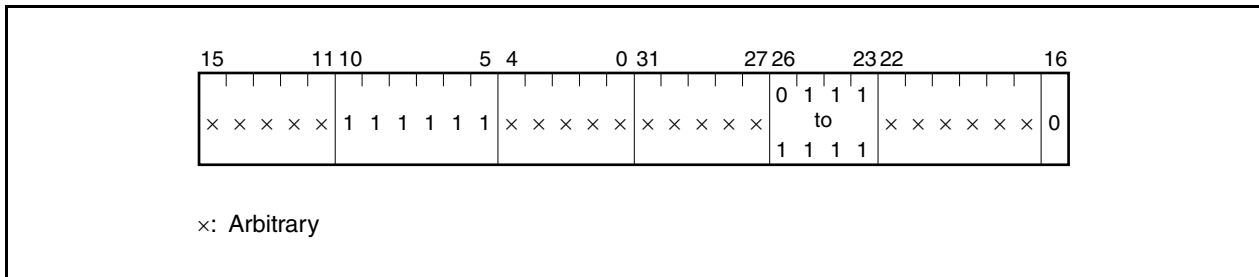


22.5 Exception Trap

An exception trap is an interrupt that is requested when the illegal execution of an instruction takes place. In the V850ES/JG3-L, an illegal opcode exception (ILGOP: Illegal Opcode Trap) is used as an exception trap.

22.5.1 Illegal opcode

An illegal opcode is defined as an instruction with instruction opcode (bits 10 to 5) = 11111B, sub-opcode (bits 26 to 23) = 0111B to 1111B, and sub-opcode (bit 16) = 0B. When such an instruction is executed, an exception trap occurs.



Caution Illegal opcodes must not be used because instructions may be newly assigned to these opcodes in the future.

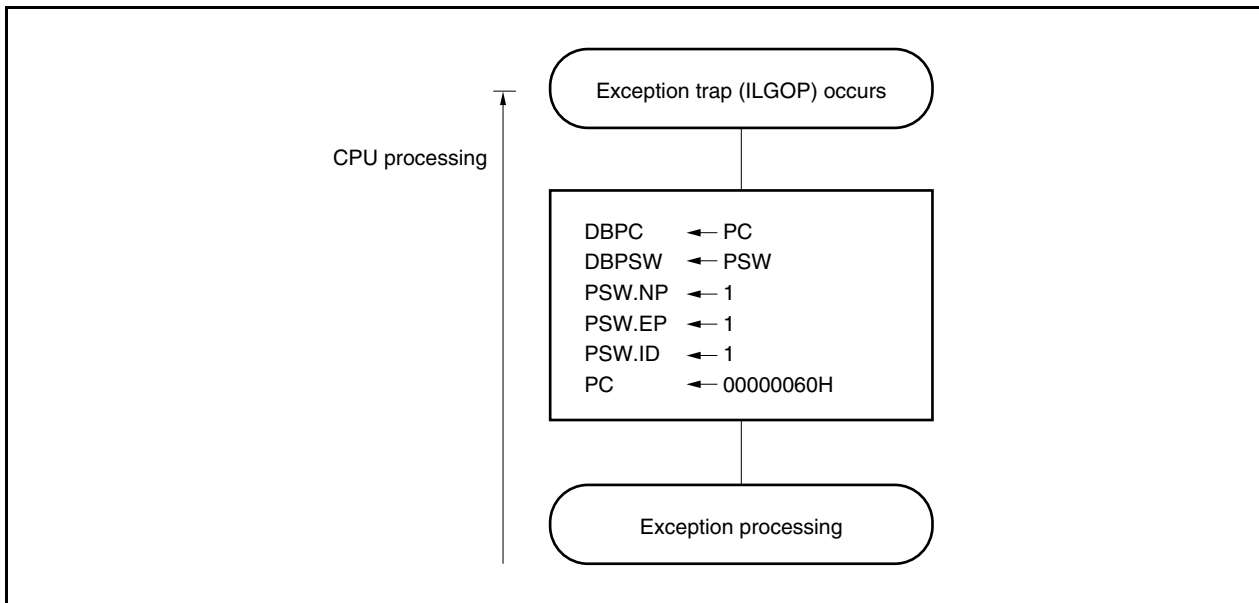
(1) Operation

If an exception trap occurs, the CPU performs the following processing and transfers control to the handler routine.

- <1> Saves the current PC to DBPC.
- <2> Saves the current PSW to DBPSW.
- <3> Sets the PSW.NP, PSW.EP, and PSW.ID bits to 1.
- <4> Sets the handler address (00000060H) for the exception trap to the PC and transfers control.

The processing of an exception trap is shown below.

Figure 22-11. Exception Trap Processing

**(2) Restoration**

Execution is returned from an exception trap by using the DBRET instruction. When the DBRET instruction is executed, the CPU performs the following processing and transfers control to the address of the restored PC.

<1> Loads the saved PC and PSW from DBPC and DBPSW.

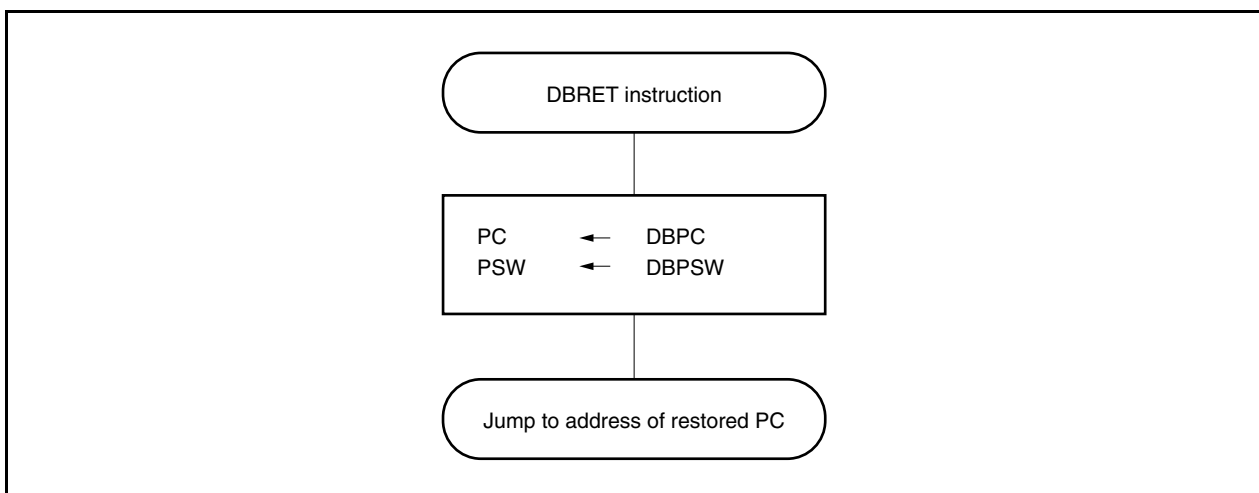
<2> Transfers control back to the address of the restored PC and PSW.

Cautions 1. **DBPC and DBPSW can be accessed only during the interval between the execution of an illegal opcode and the DBRET instruction.**

2. **If an illegal opcode is executed, specify the default settings or stop the subsequent processing.**

The processing for returning from an exception trap is shown below.

Figure 22-12. Returning from Exception Trap



22.5.2 Debug trap

A debug trap is an exception that occurs when the DBTRAP instruction is executed and can always be acknowledged.

(1) Operation

If a debug trap occurs, the CPU performs the following processing.

<1> Saves the current PC to DBPC.

<2> Saves the current PSW to DBPSW.

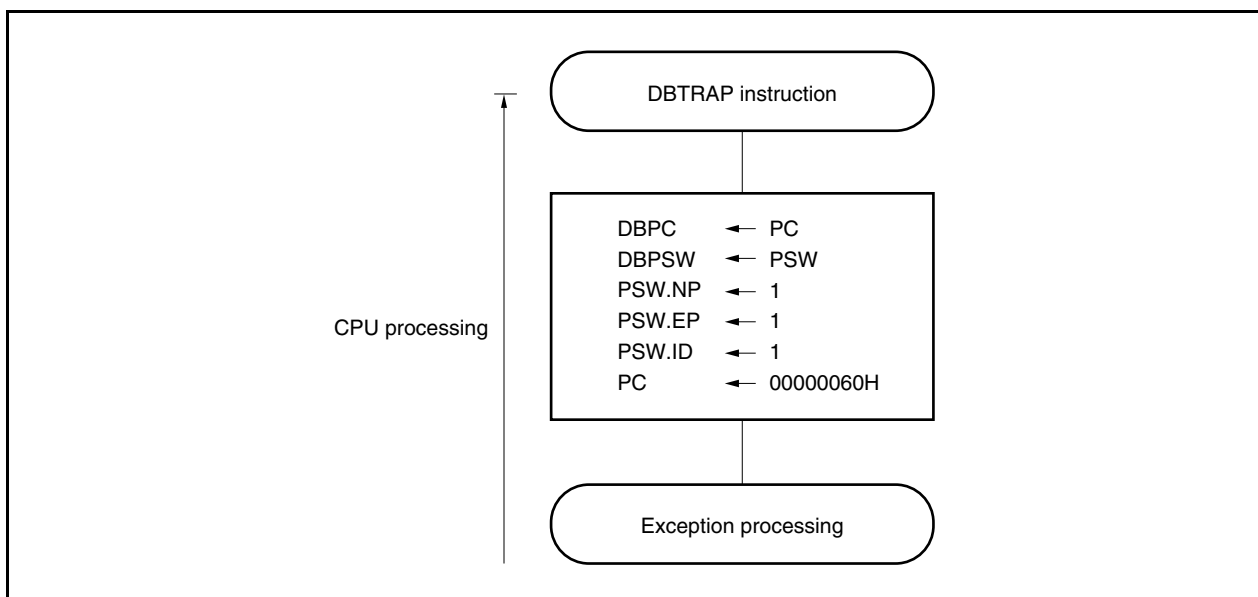
<3> Sets the PSW.NP, PSW.EP, and PSW.ID bits to 1.

<4> Sets the handler address (00000060H) for the debug trap to the PC and transfers control.

Caution The DBTRAP instruction is intended for debugging and is basically used by the debug tool. If the application uses this instruction while it is being executed by the debug tool, a malfunction might occur.

The processing of a debug trap is shown below.

Figure 22-13. Debug Trap Processing



(2) Restoration

Execution is returned from a debug trap by using the DBRET instruction.

When the DBRET instruction is executed, the CPU performs the following processing and transfers control to the address of the restored PC.

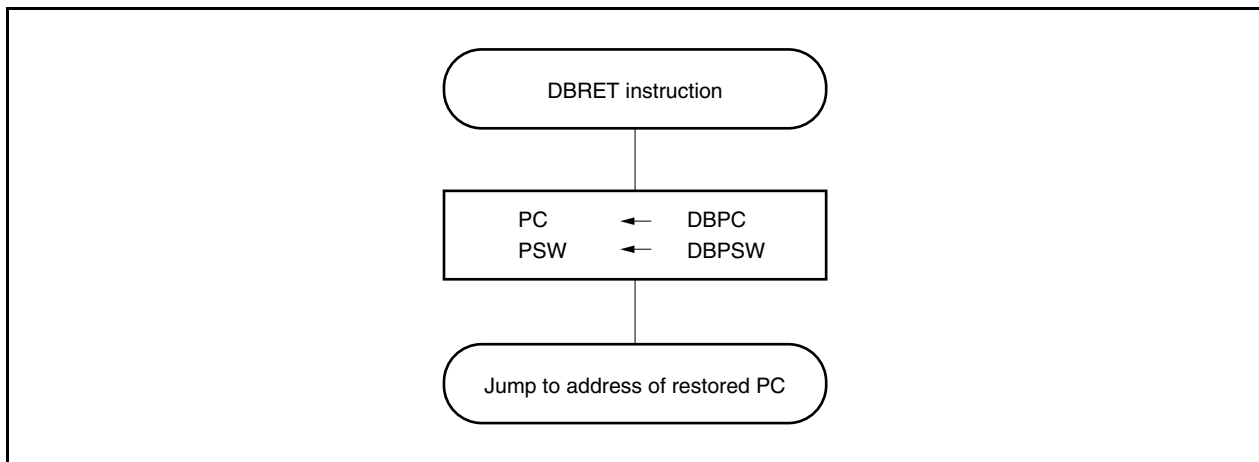
<1> Loads the saved PC and PSW from DBPC and DBPSW.

<2> Transfers control back to address of the restored PC and PSW.

Caution DBPC and DBPSW can be accessed only during the interval between the execution of the DBTRAP instruction and the DBRET instruction.

The processing for returning from a debug trap is shown below.

Figure 22-14. Returning from Debug Trap



22.6 Multiple Interrupt Servicing Control

In multiple interrupt servicing control, the servicing of an interrupt is stopped if an interrupt request signal that has a higher priority level is generated. The higher priority interrupt request signal is then acknowledged and the interrupt is serviced.

If an interrupt request signal with a lower or equal priority level is generated while an interrupt is being serviced, the newly generated interrupt request signal will be held pending.

Multiple interrupt servicing control is performed when interrupts are enabled (PSW.ID bit = 0). Even in an interrupt service routine, multiple interrupt control must be performed while interrupts are enabled (ID bit = 0). If a maskable interrupt or software exception occurs in a maskable interrupt or software exception service program, EIPC and EIPSW must be saved.

The following example shows the procedure for servicing multiple interrupts.

(1) To acknowledge maskable interrupt request signals in a service program

Service program for maskable interrupt or exception

```
...  
...  
• EIPC saved to memory or register  
• EIPSW saved to memory or register  
• EI instruction (enables interrupt acknowledgment)  
...  
...  
...  
...  
• DI instruction (disables interrupt acknowledgment)  
• Saved value restored to EIPSW  
• Saved value restored to EIPC  
• RETI instruction
```

←Acknowledges maskable interrupt

22.7 External Interrupt Request Input Pins (NMI, INTP0 to INTP7)

22.7.1 Noise elimination

(1) Noise elimination for NMI pin

The NMI pin has an internal noise eliminator that uses analog delay (several 10 ns). Therefore, a signal input to the NMI pin is not detected as an edge unless it maintains its input level for a certain period. The edge is detected only after a certain period has elapsed.

The NMI pin is used for releasing the STOP mode. In the STOP mode, noise elimination using the system clock is not performed because the internal system clock is stopped.

(2) Noise elimination for INTP0 to INTP7 pins

The INTP0 to INTP7 pins have an internal noise eliminator that uses analog delay (several 10 ns). Therefore, a signal input to each pin is not detected as an edge unless it maintains its input level for a certain period. The edge is detected only after a certain period has elapsed.

(3) Noise elimination for INTP3 pin

The INTP3 pin has an internal digital/analog noise eliminator, and digital or analog noise elimination can be selected by using the NFC.NFEN bit (analog delay: several 10 ns).

The sampling clock can be selected from $f_{xx}/64$, $f_{xx}/128$, $f_{xx}/256$, $f_{xx}/512$, $f_{xx}/1,024$, or f_{XT} by using the NFC.NFC2 to NFC.NFC0 bits. If the sampling clock is set to $f_{xx}/64$, $f_{xx}/128$, $f_{xx}/256$, $f_{xx}/512$, or $f_{xx}/1,024$, the sampling clock stops in the IDLE or STOP mode. It cannot therefore be used to release a standby mode. To release a standby mode, select f_{XT} as the sampling clock or select the analog noise eliminator.

22.7.2 Edge detection

The valid edge of each of the NMI and INTP0 to INTP7 pins can be selected from the following four.

- Rising edge
- Falling edge
- Both rising and falling edges
- No edge detected

Caution The NMI pin alternately functions as the P02 pin, and functions as a normal port pin after being reset. To enable the NMI pin function, use the PMC0 register. The initial setting of the NMI pin is “No edge detected”. Select the NMI pin valid edge by using the INTF0 and INTR0 registers.

(1) External interrupt falling, rising edge specification register 0 (INTF0, INTR0)

The INTF0 and INTR0 registers are 8-bit registers that specify detection of the falling and rising edges of the NMI pin via bit 2 and the external interrupt pins (INTP0 to INTP3) via bits 3 to 6.

These registers can be read or written in 8-bit or 1-bit units.

Reset sets these registers to 00H.

Caution When switching from the port function to the external interrupt function (alternate function), an edge might be detected. Therefore, set the INTF0n and INTR0n bits to 00, and then specify the external interrupt function (PMC0.PMC0n bit = 1).

When switching from the external interrupt function to the port function, an edge might be detected as well. Therefore, set the INTF0n and INTR0n bits to 00, and then specify the port function (PMC0.PMC0n bit = 0).

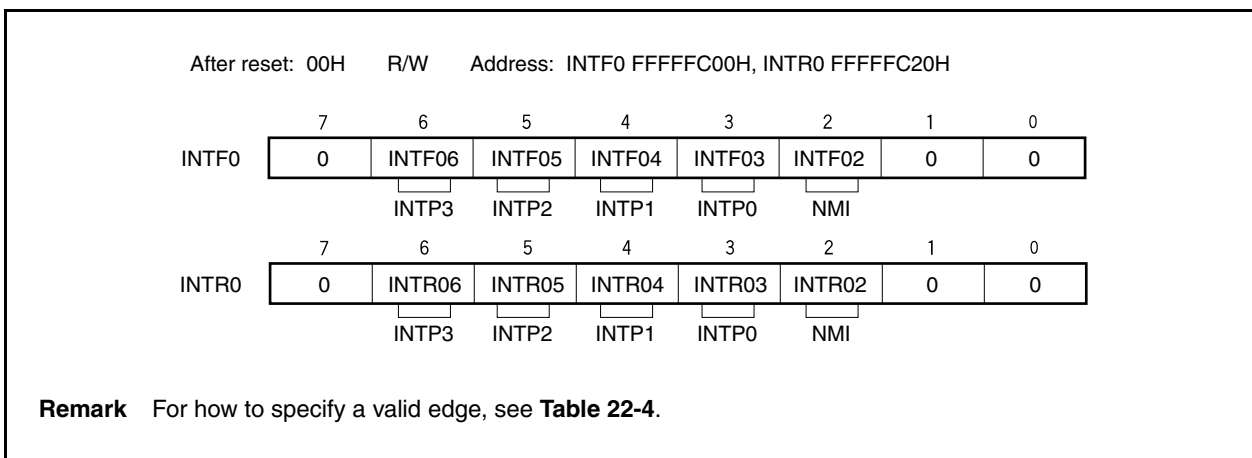


Table 22-4. Valid Edge Specification

INTF0n	INTR0n	Valid Edge Specification (n = 2 to 6)
0	0	No edge detected
0	1	Rising edge
1	0	Falling edge
1	1	Both rising and falling edges

Caution Be sure to clear the INTF0n and INTR0n bits to 00 when these registers are not used for the NMI or INTP0 to INTP3 pins.

Remark n = 2: Control of NMI pin
 n = 3 to 6: Control of INTP0 to INTP3 pins

(2) External interrupt falling, rising edge specification register 3 (INTF3, INTR3)

The INTF3 and INTR3 registers are 8-bit registers that specify detection of the falling and rising edges of the external interrupt pin (INTP7).

These registers can be read or written in 8-bit or 1-bit units.

Reset sets these registers to 00H.

Cautions 1. When switching from the port function to the external interrupt function (alternate function), an edge might be detected. Therefore, set the INTF31 and INTR31 bits to 00, and then specify the external interrupt function (PMC3.PMC31 bit = 1).

When switching from the external interrupt function to the port function, an edge might be detected as well. Therefore, set the INTF31 and INTR31 bits to 00, and then specify the port function (PMC3.PMC31 bit = 0).

2. The INTP7 pin and RXDA0 pin are alternate-function pins. When using the pin as the RXDA0 pin, disable edge detection for the INTP7 alternate-function pin (clear the INTF3.INTF31 bit and the INTR3.INTR31 bit to 0). When using the pin as the INTP7 pin, stop UARTA0 reception (clear the UA0CTL0.UA0RXE bit to 0).

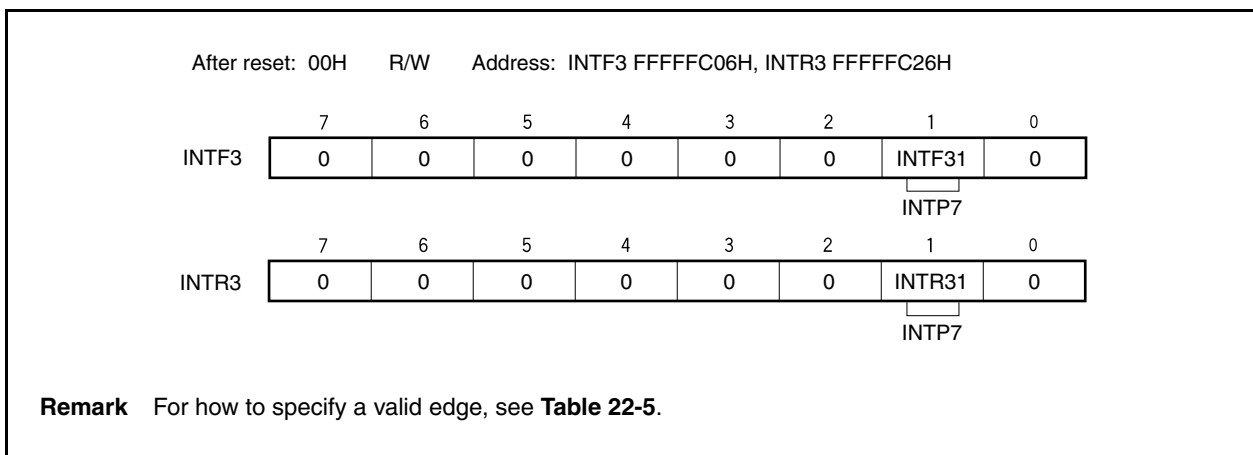


Table 22-5. Valid Edge Specification

INTF31	INTR31	Valid Edge Specification
0	0	No edge detected
0	1	Rising edge
1	0	Falling edge
1	1	Both rising and falling edges

Caution Be sure to clear the INTF31 and INTR31 bits to 00 when these registers are not used for the INTP7 pin.

(3) External interrupt falling, rising edge specification register 9H (INTF9H, INTR9H)

The INTF9H and INTR9H registers are 8-bit registers that specify detection of the falling and rising edges of the external interrupt pins (INTP4 to INTP6).

These registers can be read or written in 8-bit or 1-bit units.

Reset sets these registers to 00H.

Caution When switching from the port function to the external interrupt function (alternate function), an edge might be detected. Therefore, set the INTF9n and INTR9n bits to 00, and then specify the external interrupt function (PMC9.PMC9n bit = 1).

When switching from the external interrupt function to the port function, an edge might be detected as well. Therefore, set the INTF9n and INTR9n bits to 00, and then specify the port function (PMC9.PMC9n bit = 0).

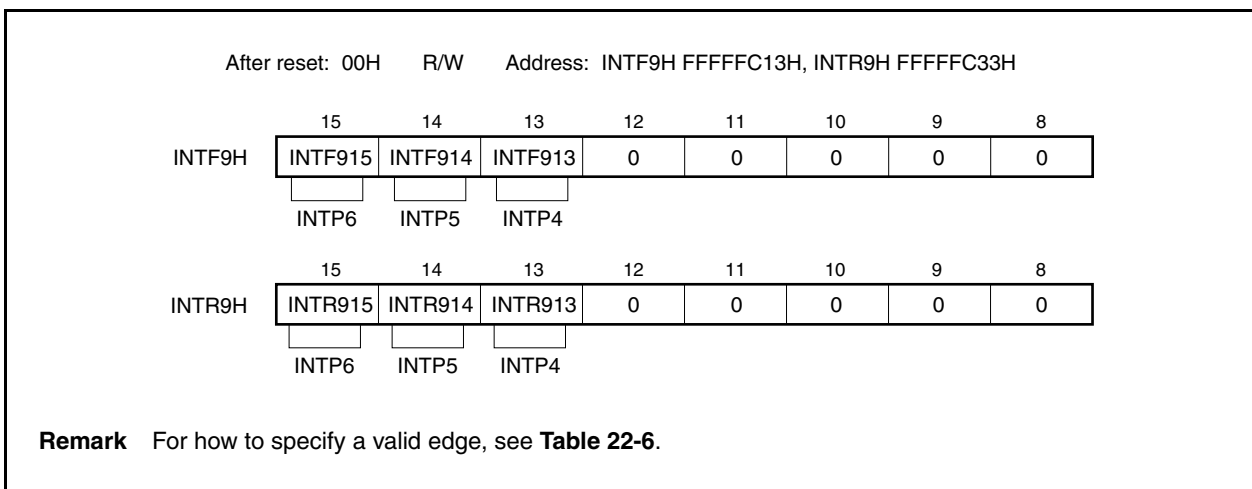


Table 22-6. Valid Edge Specification

INTF9n	INTR9n	Valid Edge Specification (n = 13 to 15)
0	0	No edge detected
0	1	Rising edge
1	0	Falling edge
1	1	Both rising and falling edges

Caution Be sure to clear the INTF9n and INTR9n bits to 00 when these registers are not used for the INTP4 to INTP6 pins.

Remark n = 13 to 15: Control of INTP4 to INTP6 pins

(4) Noise elimination control register (NFC)

Digital noise elimination can be selected for the INTP3 pin. The noise elimination settings are specified by using the NFC register.

When digital noise elimination is selected, the sampling clock for digital sampling can be selected from $f_{xx}/64$, $f_{xx}/128$, $f_{xx}/256$, $f_{xx}/512$, $f_{xx}/1,024$, or f_{XT} . Sampling is performed three times.

Even when digital noise elimination is selected, using f_{XT} as the sampling clock makes it possible to use the INTP3 interrupt request signal to release the IDLE1, IDLE2, and STOP modes.

This register can be read or written in 8-bit units.

Reset sets this register to 00H.

Caution After the sampling clock has been changed, it takes 3 sampling clock cycles to initialize the digital noise eliminator. Therefore, if an INTP3 valid edge is input within these 3 sampling clock cycles after the sampling clock has been changed, an interrupt request signal may be generated. Therefore, be careful about the following points when using the interrupt and DMA functions.

- When using the interrupt function, after the 3 sampling clock cycles have elapsed, enable interrupts after the interrupt request flag (PIC3.PIF3 bit) has been cleared.
- When using the DMA function (started by INTP3), enable DMA after 3 sampling clock cycles have elapsed.

After reset: 00H R/W Address: FFFFF318H

	7	6	5	4	3	2	1	0
NFC	NFEN	0	0	0	0	NFC2	NFC1	NFC0

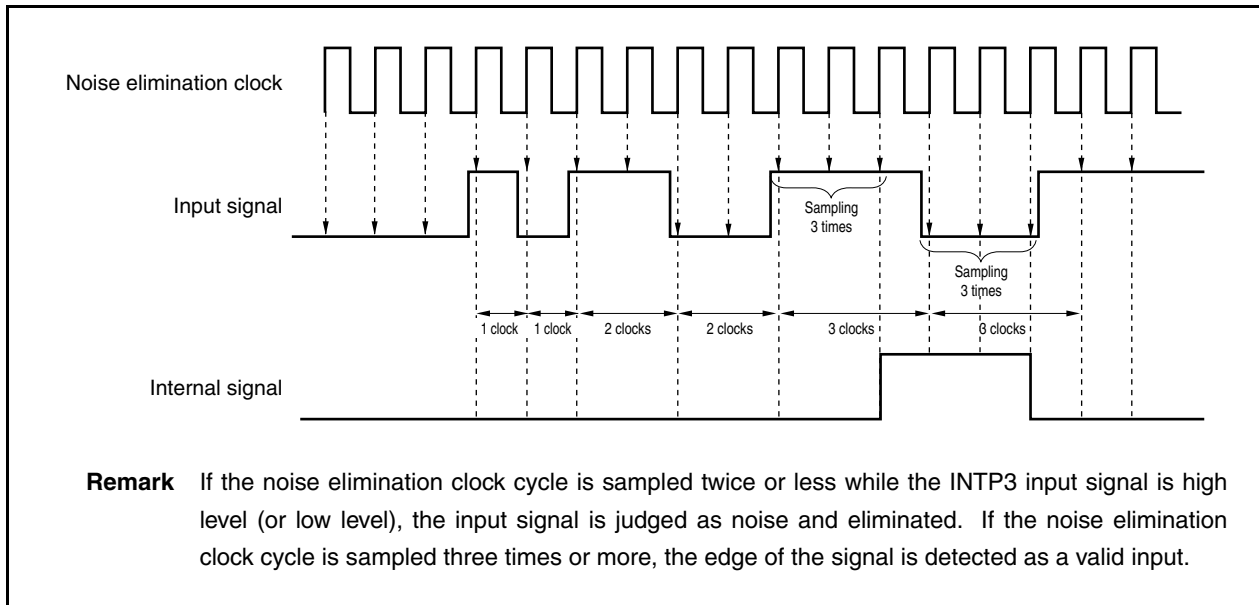
NFEN	Settings of INTP3 pin noise elimination
0	Analog noise elimination (60 ns (TYP.))
1	Digital noise elimination

NFC2	NFC1	NFC0	Digital sampling clock
0	0	0	$f_{xx}/64$
0	0	1	$f_{xx}/128$
0	1	0	$f_{xx}/256$
0	1	1	$f_{xx}/512$
1	0	0	$f_{xx}/1,024$
1	0	1	f_{XT} (subclock)
Other than above			Setting prohibited

- Remarks**
1. Since sampling is performed three times, the reliably eliminated noise width is 2 sampling clock cycles.
 2. In the case of noise with a width smaller than 2 sampling clock cycles, an interrupt request signal is generated if noise synchronized with the sampling clock is input.

An example of the timing of noise elimination performed by the timer T input pin digital filter is shown Figure 22-15.

Figure 22-15. Example of Digital Noise Elimination Timing

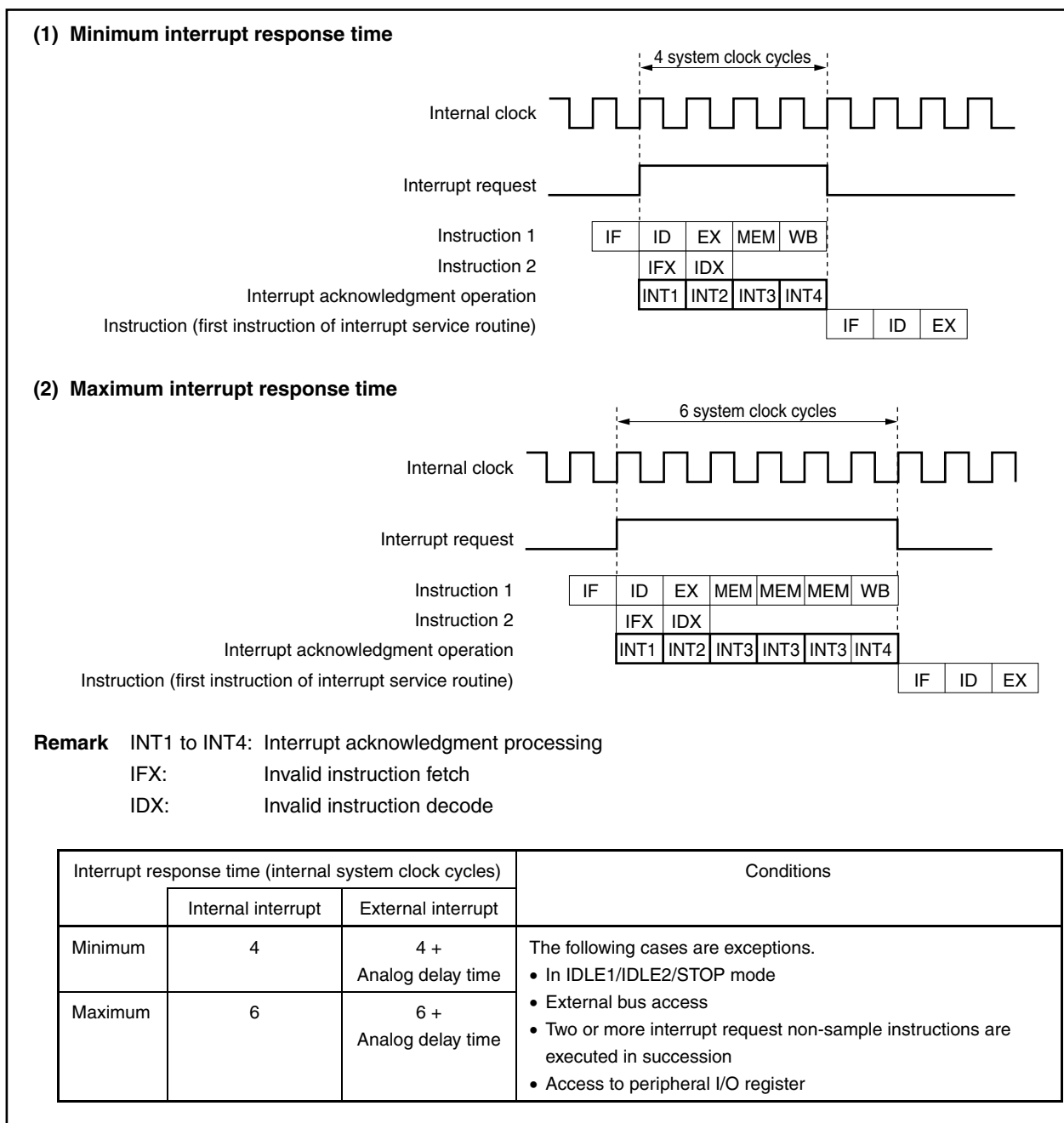


22.8 Interrupt Response Time of CPU

Except for the following cases, the interrupt response time of the CPU is at least 4 clock cycles. To input interrupt request signals successively, input the next interrupt request signal at least 5 clock cycles after the preceding interrupt.

- In IDLE1/IDLE2/STOP mode
- When the external bus is accessed
- When interrupt request non-sample instructions are successively executed (see 22.9 Periods in Which Interrupts Are Not Acknowledged by CPU.)
- When an interrupt control register is accessed

Figure 22-16. Pipeline Operation When Interrupt Request Signal Is Acknowledged (Outline)



22.9 Periods in Which Interrupts Are Not Acknowledged by CPU

An interrupt is acknowledged by the CPU while an instruction is being executed. However, no interrupt will be acknowledged between an interrupt request non-sample instruction and the next instruction (the interrupt is held pending).

The interrupt request non-sample instructions are as follows.

- EI instruction
- DI instruction
- LDSR reg2, 0x5 instruction (for PSW)
- The store instruction for the PRCMD register
- The store, SET1, NOT1, or CLR1 instructions for the following registers.
 - Interrupt-related registers:
Interrupt control register (xxICn), interrupt mask registers 0 to 3 (IMR0 to IMR3)
 - Power save control register (PSC)
 - On-chip debug mode register (OCDM)

- Remarks**
1. xx: Identification name of each peripheral unit (see **Table 22-3 Interrupt Control Registers (xxICn)**)
n: Peripheral unit number (see **Table 22-3 Interrupt Control Registers (xxICn)**).
 2. For details about the operation of the pipeline, see the **V850ES Architecture User's Manual (U15943E)**.

22.10 Cautions

22.10.1 Restored PC

Restored PC is the value of the program counter (PC) saved to EIPC, FEPC, or DBPC when interrupt servicing starts. If a non-maskable or maskable interrupt is acknowledged during the execution of any of the following instructions, the execution of that instruction stops and resumes following completion of interrupt servicing.

- Load instructions (SLD.B, SLD.BU, SLD.H, SLD.HU, SLD.W)
- Divide instructions (DIV, DIVH, DIVU, DIVHU)
- PREPARE, DISPOSE instructions (only when an interrupt occurs before the stack pointer is updated)

CHAPTER 23 KEY INTERRUPT FUNCTION

23.1 Function

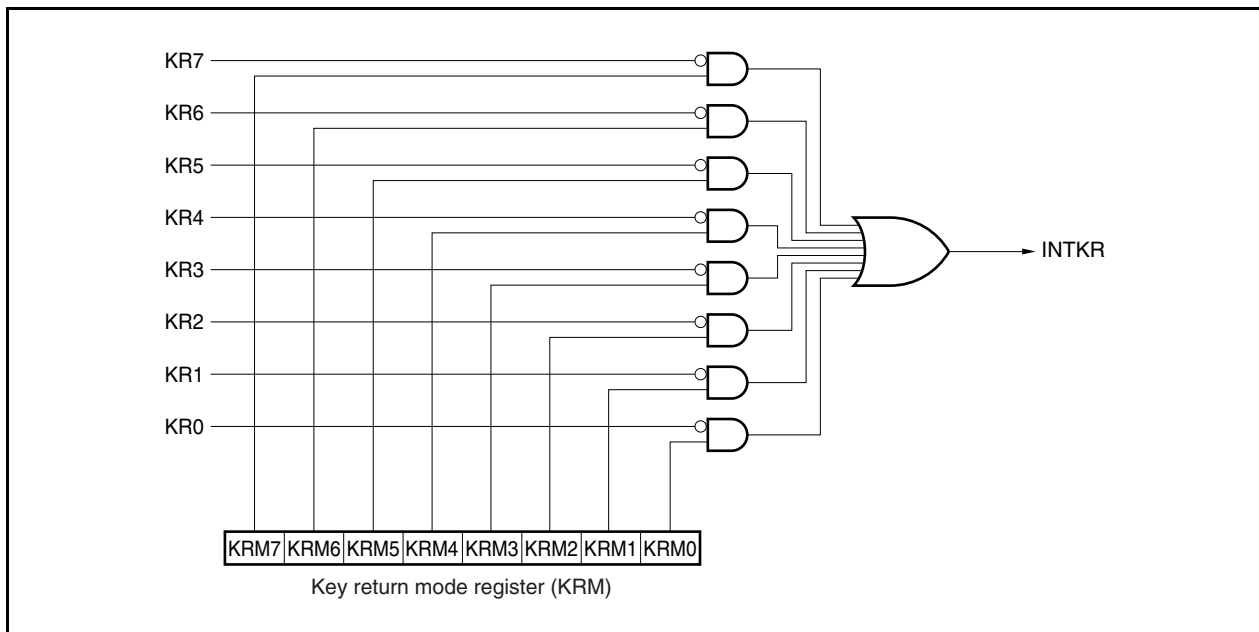
A key interrupt request signal (INTKR) can be generated by inputting a falling edge to the eight key input pins (KR0 to KR7) by setting the KRM register.

Caution If any of the KR0 to KR7 pins is at low level, the INTKR signal is not generated even if a falling edge is input to another pin.

Table 23-1. Flag Assignment

Flag	Pin Description	Alternate Function
KRM0	Controls KR0 signal.	P50
KRM1	Controls KR1 signal.	P51
KRM2	Controls KR2 signal.	P52
KRM3	Controls KR3 signal.	P53
KRM4	Controls KR4 signal.	P54
KRM5	Controls KR5 signal.	P55
KRM6	Controls KR6 signal.	P90
KRM7	Controls KR7 signal.	P91

Figure 23-1. Key Return Block Diagram



23.2 Pin Functions

The key input pins that are used as key interrupts are also used for the other functions shown in **Table 23-2**. To use these pins as key interrupts, this function must be specified by setting the relevant registers (see **Table 4-15 Settings When Pins Are Used for Alternate Functions**).

Table 23-2. Pin Functions

Pin No.	Port Function	Key Input Function	Other Functions
37	P50	KR0	P50/TIQ01/TOQ01/RTP00
38	P51	KR1	P51/TIQ02/TOQ02/RTP01
39	P52	KR2	P52/TIQ03/TOQ03/RTP02/DDI
40	P53	KR3	P53/SIB2/TIQ00/TOQ00/RTP03/DDO
41	P54	KR4	P54/SOB2/RTP04/DCK
42	P55	KR5	P55/ $\overline{\text{SCKB2}}$ /RTP05/DMS
61	P90	KR6	P90/TXDA1/SDA02
62	P91	KR7	P91/RXDA1/SCL02

23.3 Registers

(1) Key return mode register (KRM)

The KRM register controls the KR0 to KR7 signals by using the KRM0 to KRM7 bits.

This register can be read or written in 8-bit or 1-bit units.

Reset sets this register to 00H.

After reset: 00H		R/W	Address: FFFF300H					
	7	6	5	4	3	2	1	0
KRM	KRM7	KRM6	KRM5	KRM4	KRM3	KRM2	KRM1	KRM0
KRMn	Control of key return mode							
0	Do not detect key return signal							
1	Detect key return signal							

Caution Clear the KRM register to 00H before rewriting it.

23.4 Cautions

- (1) If a low level is input to any of the KR0 to KR7 pins, the INTKR signal is not generated even if the falling edge is input to another pin.
- (2) The RXDA1 and KR7 pins must not be used at the same time. When using the RXDA1 pin, do not use the KR7 pin. When using the KR7 pin, do not use the RXDA1 pin (it is recommended to set the PFC91 bit to 1 and clear PFCE91 bit to 0).
- (3) If the KRM register is changed, an interrupt request signal (INTKR) may be generated. To prevent this, change the KRM register after disabling (DI) or masking interrupts, then clear the interrupt request flag (KRIC.KRIF bit) to 0, and enable (EI) or unmask interrupts.
- (4) To use the key interrupt function, be sure to set the function of the port pin to “key return pin” and then enable the key interrupt function by using the KRM register. To switch the pin function from key return pin to port pin, disable the key interrupt function by using the KRM register and then set pin function to “port pin”.

CHAPTER 24 STANDBY FUNCTION

24.1 Overview

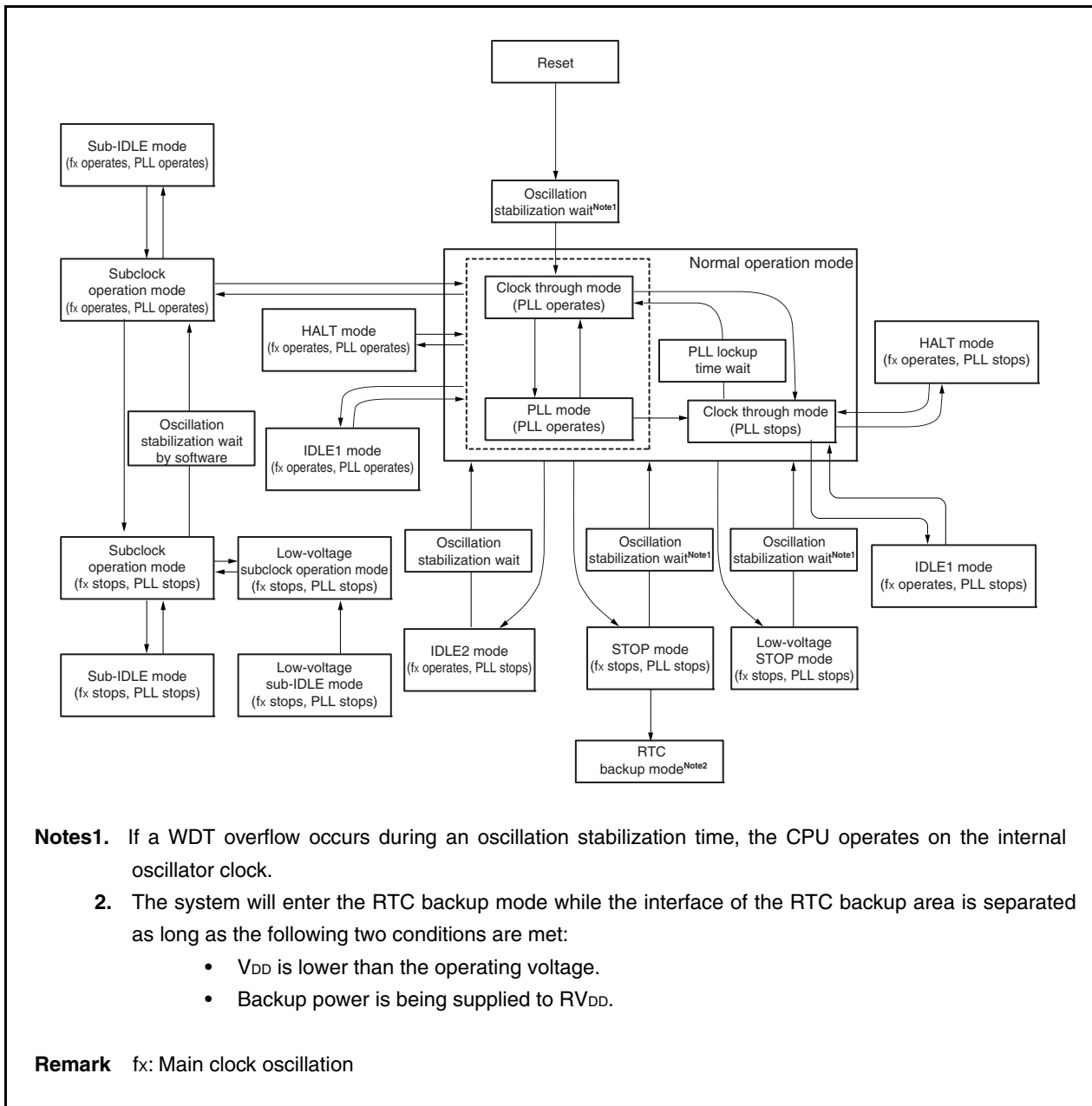
The power consumption of the system can be effectively reduced by using the standby modes in combination and selecting the appropriate mode for the application. The available standby modes are listed in Table 24-1.

Table 24-1. Standby Modes

Mode	Functional Outline
HALT mode	Mode in which only the operating clock of the CPU is stopped. The total current consumption of the system can be reduced by using this mode in combination with the normal operation mode for intermittent operation.
IDLE1 mode	Mode in which all the operations of the internal circuits except the oscillator, PLL ^{Note} , and flash memory are stopped. This mode can reduce the power consumption to a level lower than the HALT mode because it stops the operation of the on-chip peripheral functions.
IDLE2 mode	Mode in which all the operations of the internal circuits except the oscillator are stopped. This mode can reduce the power consumption to a level lower than the IDLE1 mode because it stops the operations of the on-chip peripheral functions, PLL, and flash memory.
STOP mode	Mode in which all the operations of the internal circuits except the subclock oscillator are stopped. This mode can reduce the power consumption to a level lower than the IDLE2 mode. Two modes are available: STOP mode and low-voltage STOP mode. The power consumption decreases further in the low-voltage STOP mode because the voltage of the regulator is lowered.
Subclock operation mode	Mode in which the subclock is used as the internal system clock. This mode can reduce the power consumption to a level lower than the normal operation mode. Two modes are available: subclock operation mode and low-voltage subclock operation mode. The power consumption decreases further in the low-voltage subclock operation mode because the voltage of the regulator is lowered.
Sub-IDLE mode	Mode in which all the operations of the internal circuits except the oscillator, PLL operation ^{Note} , and flash memory are stopped, in the subclock operation mode. This mode can reduce the power consumption to a level lower than the subclock operation mode. Two modes are available: sub-IDLE mode and low-voltage sub-IDLE mode. The power consumption decreases further in the low-voltage sub-IDLE mode because the voltage of the regulator is lowered.
RTC backup mode	Mode in which the RTC continues counting on the subclock based the supply of backup voltage to the RVDD pin when VDD falls below the operating voltage while the subclock oscillator and RTC are separated from other internal circuits. The power consumption in this mode is even lower than in low-voltage STOP mode. Note that the data of the internal RAM and the values of the CPU registers cannot be held in RTC backup mode, so when restoring the system from this mode, be sure to stop reset signal input after resupplying VDD.

Note In the IDLE1 or sub-IDLE mode, the PLL retains the operating status immediately before mode transition. If the PLL operation is not necessary, stop the PLL to lower the power consumption. In the IDLE2 mode, mode transition causes the PLL to stop automatically.

Figure 24-1. Status Transition



24.2 Registers

(1) Power save control register (PSC)

The PSC register is an 8-bit register that controls the standby function. The STP bit of this register is used to specify the standby mode. This register is a special register that can only be written in a specific sequence (see **3.4.7 Special registers**).

This register can be read or written in 8-bit or 1-bit units.

Reset sets this register to 00H.

After reset: 00H R/W Address: FFFFF1FEH

	7	<6>	<5>	<4>	3	2	<1>	0
PSC	0	NMI1M	NMI0M	INTM	0	0	STP	0

NMI1M	Standby mode release control upon occurrence of INTWDT2 signal
0	Standby mode release by INTWDT2 signal enabled
1	Standby mode release by INTWDT2 signal disabled

NMI0M	Standby mode release control by NMI pin input
0	Standby mode release by NMI pin input enabled
1	Standby mode release by NMI pin input disabled

INTM	Standby mode release control via maskable interrupt request signal
0	Standby mode release by maskable interrupt request signal enabled
1	Standby mode release by maskable interrupt request signal disabled

STP	Standby mode ^{Note} setting
0	Normal operation mode
1	Standby mode

Note Standby mode set by STP bit: IDLE1, IDLE2, STOP, or sub-IDLE mode

- Cautions**
1. Before setting one of the standby modes (excluding the HALT mode), specify the mode by using the PSMR.PSM1 and PSMR.PSM0 bits and then set the STP bit.
 2. The settings of the NMI1M, NMI0M, and INTM bits are invalid when HALT mode is released.
 3. If the NMI1M, NMI0M, or INTM bit is set to 1 at the same time the STP bit is set to 1, the setting of NMI1M, NMI0M, or INTM bit becomes invalid. If there is an unmasked interrupt request signal being held pending when the IDLE1/IDLE2/STOP mode is set, set the bit corresponding to the interrupt request signal (NMI1M, NMI0M, or INTM) to 1, and then set the STP bit to 1.

(2) Power save mode register (PSMR)

The PSMR register is an 8-bit register that controls the operation status in the power save mode and the clock operation.

This register can be read or written in 8-bit or 1-bit units.

Reset sets this register to 00H.

After reset: 00H R/W Address: FFFFF820H

	7	6	5	4	3	2	<1>	<0>
PSMR	0	0	0	0	0	0	PSM1	PSM0

PSM1	PSM0	Specification of operation in software standby mode
0	0	IDLE1, sub-IDLE modes
0	1	STOP mode
1	0	IDLE2, sub-IDLE modes
1	1	STOP mode

Cautions 1. Be sure to clear bits 2 to 7 to “0”.

2. The PSM0 and PSM1 bits are valid only when the PSC.STP bit is 1.

Remark IDLE1: In this mode, all operations except the oscillator operation and some other circuits (flash memory and PLL) are stopped.
After the IDLE1 mode is released, the normal operation mode is restored without needing to secure the oscillation stabilization time, like the HALT mode.

IDLE2: In this mode, all operations except the oscillator operation are stopped.
After the IDLE2 mode is released, the normal operation mode is restored following the lapse of the setup time specified by the OSTS register (flash memory and PLL).

STOP: In this mode, all operations except the subclock oscillator operation are stopped.
After the STOP mode is released, the normal operation mode is restored following the lapse of the oscillation stabilization time specified by the OSTS register.

Sub-IDLE: In this mode, all other operations are halted except for the oscillator. After the IDLE mode has been released by the interrupt request signal, the subclock operation mode will be restored after 12 cycles of the subclock have been secured.

(3) Oscillation stabilization time select register (OSTS)

The wait time until the oscillation stabilizes after the STOP mode is released or the setup time until the internal flash memory stabilizes after the IDLE2 mode is released is controlled by the OSTS register.

The OSTS register can be read or written 8-bit units.

Reset sets this register to 06H.

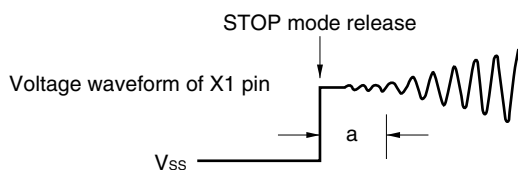
After reset: 06H R/W Address: FFFF6C0H

	7	6	5	4	3	2	1	0
OSTS	0	0	0	0	0	OSTS2	OSTS1	OSTS0

OSTS2	OSTS1	OSTS0	Selection of oscillation stabilization time/setup time ^{Note}	fx	
				4 MHz	5 MHz
				0	0
0	0	1	$2^{11}/f_x$	0.512 ms	0.410 ms
0	1	0	$2^{12}/f_x$	1.024 ms	0.819 ms
0	1	1	$2^{13}/f_x$	2.048 ms	1.638 ms
1	0	0	$2^{14}/f_x$	4.096 ms	3.277 ms
1	0	1	$2^{15}/f_x$	8.192 ms	6.554 ms
1	1	0	$2^{16}/f_x$	16.38 ms	13.107 ms
1	1	1	Setting prohibited		

Note The oscillation stabilization time and setup time are required when the STOP mode and IDLE2 mode are released, respectively.

Cautions 1. The wait time following the release of STOP mode does not include the time until the clock oscillation starts (“a” in the figure below, regardless of whether the STOP mode is released by a reset or an interrupt).



- 2. Be sure to clear bits 3 to 7 to “0”.
- 3. The oscillation stabilization time following reset release differs depending on the option byte. For details, see CHAPTER 30 OPTION BYTE.

Remark fx = Main clock oscillation frequency

(4) Regulator protection register (REGPR)

The REGPR register is used to protect the regulator output voltage level control register 0 (REGOVL0) so that illegal data is not written to REGOVL0. Data cannot be written to the REGOVL0 register unless enabling data (C9H) is written to the REGPR register. Only two types of data, C9H (enabling data) and 00H (protection data), can be written to the REGPR register. Writing any other value is prohibited. (If a value other than C9H or 00H is written to the REGPR register, the written value is set to prohibit a write access to the REGOVL0 register, but the operation is not guaranteed.)

This register can be read or written only in 8-bit units (accessing it in 1-bit units is prohibited).

Reset sets this register to 00H (protection data status).

After reset: 00H R/W Address: FFFFF331H

	7	6	5	4	3	2	1	0
REGPR	PR7	PR6	PR5	PR4	PR3	PR2	PR1	PR0

- **Protection data status: REGPR = 00H**

In this status, the REGOVL0 register is protected from an illegal write access. In the protection data status, a value is not written to the REGOVL0 register even if an attempt is made to write it, and the REGOVL0 register holds the previous value.

Be sure to set REGPR to 00H, except when changing the value of the REGOVL0 register, in order to avoid unexpected malfunction.

- **Enabling data status: REGPR = C9H**

In this status, a write access to the REGOVL0 register is enabled.

- Transition from normal mode → low-voltage STOP mode
See **24.6.1 Setting and operation status.**
- Transition of subclock operation mode → low-voltage subclock operation mode
See **24.7.1 Setting and operation status.**
- Transition of subclock operation mode → low-voltage sub-IDLE mode
See **24.8.1 Setting and operation status.**

(5) Regulator output voltage level control register 0 (REGOVL0)

This register is used to select the low-voltage STOP mode, low-voltage subclock operation mode, or low-voltage sub-IDLE mode. The power consumption can be reduced by lowering the output voltage of the regulator.

This register can be read or written only in 8-bit units (accessing it in 1-bit units is prohibited).

Reset sets this register to 00H.

This register must be always written in pairs with the regulator protection register (REGPR).

After reset: 00H R/W Address: FFFFF332H

	7	6	5	4	3	2	1	0
REGOVL0	0	0	0	0	0	0	SUBMD	STPMD

SUBMD	Output mode selection of regulator in subclock operation mode/sub-IDLE mode
0	Subclock operation mode/sub-IDLE mode
1	Low-voltage subclock operation mode/low-voltage sub-IDLE mode

STPMD	Output mode selection of regulator in STOP mode
0	STOP mode
1	Low-voltage STOP mode

- **Write operation of REGOVL0 register**

Writing the REGOVL0 register is enabled only when C9H is written to the REGPR register (see **24.2 (4) Regulator protection register (REGPR)**).

This register can be set only to 00H, 01H, and 02H.

Setting 03H is prohibited. If 03H is set, the operation is not guaranteed.

- **Read operation of REGOVL0 register**

The default value of the REGOVL0 register is 00H. After a value has been written to this register in the correct procedure^{Note}, the written value is read. The procedure for reading this register is not restricted.

Note • Transition from normal mode → low-voltage STOP mode

See **24.6.1 Setting and operation status.**

- Transition of subclock operation mode → low-voltage subclock operation mode

See **24.7.1 Setting and operation status.**

- Transition of subclock operation mode → low-voltage sub-IDLE mode

See **24.8.1 Setting and operation status.**

Caution Be sure to stop the main clock and PLL when setting the low-voltage subclock mode and low-voltage sub-IDLE mode.

24.3 HALT Mode

24.3.1 Setting and operation status

The HALT mode is set when a dedicated instruction (HALT) is executed in the normal operation mode.

In the HALT mode, the clock oscillator continues operating. Only clock supply to the CPU is stopped; clock supply to the other on-chip peripheral functions continues.

As a result, program execution is stopped, and the internal RAM retains the contents before the HALT mode was set. The on-chip peripheral functions that are independent of instruction processing by the CPU continue operating.

Table 24-3 shows the operating status in the HALT mode.

The average current consumption of the system can be reduced by using the HALT mode in combination with the normal operation mode.

Cautions 1. Insert five or more NOP instructions after the HALT instruction.

2. If the HALT instruction is executed while an unmasked interrupt request signal is being held pending, the status shifts to HALT mode, but the HALT mode is then released immediately by the pending interrupt request.

24.3.2 Releasing HALT mode

The HALT mode is released by a non-maskable interrupt request signal (NMI pin input, INTWDT2 signal), unmasked external interrupt request signal (INTP0 to INTP7 pin input), unmasked internal interrupt request signal from a peripheral function operable in the HALT mode, or reset signal (reset by $\overline{\text{RESET}}$ pin input, WDT2RES signal, low-voltage detector (LVI), or clock monitor (CLM)).

After the HALT mode has been released, the normal operation mode is restored.

(1) Releasing HALT mode by non-maskable interrupt request signal or unmasked maskable interrupt request signal

The HALT mode is released by a non-maskable interrupt request signal or an unmasked maskable interrupt request signal, regardless of the priority of the interrupt request. If the HALT mode is set in an interrupt servicing routine, however, an interrupt request that is issued later is serviced as follows.

Table 24-2. Releasing HALT Mode and Operation After Release

Release Source	Interrupt Acknowledgment Status	Status After Release	Operation After Release
Reset	Disabled (DI)	–	Normal reset operation
	Enabled (EI)		
Non-maskable interrupt request signal (excluding multiple interrupts)	Disabled (DI)	–	The interrupt request is acknowledged when the HALT mode is released.
	Enabled (EI)		
Maskable interrupt request signal	Disabled (DI)	–	The HALT mode is released but the interrupt request that is the release source is not acknowledged. The interrupt request itself is retained. The processing that was being executed before shifting to the HALT mode is executed.
	Enabled (EI)	• An interrupt request with a priority higher than that of the release source is being serviced.	The HALT mode is released but the interrupt request that is the release source is not acknowledged. The interrupt request itself is retained. The interrupt that was being serviced before shifting to the HALT mode is serviced.
		• An interrupt request with a priority lower than that of the release source is being serviced.	The interrupt request is acknowledged when the HALT mode is released.

Table 24-3. Operating Status in HALT Mode

Setting of HALT Mode Item		Operating Status	
		When Subclock Is Not Used	When Subclock Is Used
LVI		Operable	
Main clock oscillator		Oscillates	
Subclock oscillator		–	Oscillates
Internal oscillator		Oscillation enabled	
PLL		Operable	
CPU		Stops operation	
DMA		Operable	
Interrupt controller		Operable	
Timer P (TMP0 to TMP5)		Operable	
Timer Q (TMQ0)		Operable	
Timer M (TMM0)		Operable when a clock other than f_{XT} is selected as the count clock	Operable
Watch timer/RTC		Operable when f_x (divided BRG) is selected as the count clock	Operable
Watchdog timer 2		Operable when a clock other than f_{XT} is selected as the count clock	Operable
Serial interface	CSIB0 to CSIB4	Operable	
	I ² C00 to I ² C02	Operable	
	UARTA0 to UARTA5	Operable	
	UARTC0	Operable	
A/D converter		Operable	
D/A converter		Operable	
Real-time output function (RTO)		Operable	
Key interrupt function (KR)		Operable	
CRC operation circuit		Operable (in the status in which data is not input to the CRCIN register to stop the CPU)	
External bus interface		See 2.2 Pin States.	
Port function		Retains status before HALT mode was set	
CPU register set		Retains status before HALT mode was set	
Internal RAM			
USB function		Operable	

24.4 IDLE1 Mode

24.4.1 Setting and operation status

The IDLE1 mode is set by clearing the PSMR.PSM1 and PSMR.PSM0 bits to 00 and setting the PSC.STP bit to 1 in the normal operation mode.

In the IDLE1 mode, the clock oscillator, PLL, and flash memory continue operating but clock supply to the CPU and other on-chip peripheral functions stops.

As a result, program execution stops and the contents of the internal RAM before the IDLE1 mode was set are retained. The CPU and other on-chip peripheral functions stop operating. However, the on-chip peripheral functions that can operate with the subclock or an external clock continue operating.

Table 24-5 shows the operating status in the IDLE1 mode.

The IDLE1 mode can reduce the power consumption more than the HALT mode because it stops the operation of the on-chip peripheral functions. The main clock oscillator does not stop, so the normal operation mode can be restored without waiting for the oscillation stabilization time after the IDLE1 mode has been released, in the same manner as when the HALT mode is released.

- Cautions**
- 1. Insert five or more NOP instructions after the instruction that stores data in the PSC register to set the IDLE1 mode.**
 - 2. If the IDLE1 mode is set while an unmasked interrupt request signal is being held pending, the CPU does not shift to the IDLE1 mode but executes the next instruction.**

24.4.2 Releasing IDLE1 mode

The IDLE1 mode is released by a non-maskable interrupt request signal (NMI pin input, INTWDT2 signal), unmasked external interrupt request signal (INTP0 to INTP7 pin input), unmasked internal interrupt request signal from a peripheral function operable in the IDLE1 mode, or reset signal (reset by $\overline{\text{RESET}}$ pin input, WDT2RES signal, low-voltage detector (LVI), or clock monitor (CLM)).

After the IDLE1 mode has been released, the normal operation mode is restored.

(1) Releasing IDLE mode by non-maskable interrupt request signal or unmasked maskable interrupt request signal

The IDLE mode is released by a non-maskable interrupt request signal or an unmasked maskable interrupt request signal, regardless of the priority of the interrupt request. If the IDLE1 mode is set in an interrupt servicing routine, however, an interrupt request that is issued later is processed as follows.

Table 24-4. Operation After Releasing IDLE1 Mode by Interrupt Request Signal

Release Source	Interrupt Acknowledgment Status	Status After Release	Operation After Release
Reset	Disabled (DI)	–	Normal reset operation
	Enabled (EI)		
Non-maskable interrupt request signal (excluding multiple interrupts)	Disabled (DI)	–	The interrupt request is acknowledged when the IDLE1 mode is released.
	Enabled (EI)		
Maskable interrupt request signal	Disabled (DI)	–	The IDLE1 mode is released but the interrupt request that is the release source is not acknowledged. The interrupt request itself is retained. The processing that was being executed before shifting to the IDLE1 mode is executed.
	Enabled (EI)	• An interrupt request with a priority higher than that of the release source is being serviced.	The IDLE1 mode is released but the interrupt request that is the release source is not acknowledged. The interrupt request itself is retained. The interrupt that was being serviced before shifting to the IDLE1 mode is serviced.
		• An interrupt request with a priority lower than that of the release source is being serviced.	The interrupt request is acknowledged when the IDLE1 mode is released.

Caution An interrupt request signal that is disabled by setting the PSC.NMI2M, PSC.NMI0M, and PSC.INTM bits to 1 (interrupt disabled) is invalid and cannot release the IDLE1 mode.

Table 24-5. Operating Status in IDLE1 Mode

Setting of IDLE1 Mode Item		Operating Status	
		When Subclock Is Not Used	When Subclock Is Used
LVI		Operable	
Main clock oscillator		Oscillates	
Subclock oscillator		–	Oscillates
Internal oscillator		Oscillation enabled	
PLL		Operable	
CPU		Stops operation	
DMA		Stops operation	
Interrupt controller		Stops operation (but standby mode release enabled)	
Timer P (TMP0 to TMP5)		Stops operation	
Timer Q (TMQ0)		Stops operation	
Timer M (TMM0)		Operable when $f_{R/8}$ is selected as the count clock	Operable when $f_{R/8}$ or f_{XT} is selected as the count clock
Watch timer/RTC		Operable when f_x (divided BRG) is selected as the count clock	Operable
Watchdog timer 2		Operable when $f_{R/8}$ is selected as the count clock	Operable when $f_{R/8}$ or f_{XT} is selected as the count clock
Serial interface	CSIB0 to CSIB4	Operable when the \overline{SCKBn} input clock is selected as the count clock ($n = 0$ to 4)	
	I ² C00 to I ² C02	Stops operation	
	UARTA0 to UARTA5	Stops operation (but UARTA0 is operable when the ASCKA0 input clock is selected)	
	UARTC0	Stops operation	
A/D converter		Holds operation (conversion result held) ^{Note}	
D/A converter		Holds operation (output held ^{Note})	
Real-time output function (RTO)		Stops operation (output held)	
Key interrupt function (KR)		Operable	
CRC operation circuit		Stops operation	
External bus interface		See 2.2 Pin States.	
Port function		Retains status before IDLE1 mode was set	
CPU register set		Retains status before IDLE1 mode was set	
Internal RAM			
USB function		Stops operation	

Note To realize low power consumption, stop the A/D converter and D/A converter before shifting to the IDLE1 mode.

24.5 IDLE2 Mode

24.5.1 Setting and operation status

The IDLE2 mode is set by setting the PSMR.PSM1 and PSMR.PSM0 bits to 10 and setting the PSC.STP bit to 1 in the normal operation mode.

In the IDLE2 mode, the clock oscillator continues operation but clock supply to the CPU, PLL, flash memory, and other on-chip peripheral functions stops.

As a result, program execution stops and the contents of the internal RAM before the IDLE2 mode was set are retained. The CPU, PLL, and other on-chip peripheral functions stop operating. However, the on-chip peripheral functions that can operate with the subclock or an external clock continue operating.

Table 24-7 shows the operating status in the IDLE2 mode.

The IDLE2 mode can reduce the power consumption more than the IDLE1 mode because it stops the operations of the on-chip peripheral functions, PLL, and flash memory. However, because the PLL and flash memory are stopped, a setup time for the PLL and flash memory is required when IDLE2 mode is released.

- Cautions**
- 1. Insert five or more NOP instructions after the instruction that stores data in the PSC register to set the IDLE2 mode.**
 - 2. If the IDLE2 mode is set while an unmasked interrupt request signal is being held pending, the CPU does not shift to the IDLE2 mode but executes the next instruction.**

24.5.2 Releasing IDLE2 mode

The IDLE2 mode is released by a non-maskable interrupt request signal (NMI pin input, INTWDT2 signal), unmasked external interrupt request signal (INTP0 to INTP7 pin input), unmasked internal interrupt request signal from the peripheral functions operable in the IDLE2 mode, or reset signal (reset by $\overline{\text{RESET}}$ pin input, WDT2RES signal, low-voltage detector (LVI), or clock monitor (CLM)). The PLL returns to the operating status it was in before the IDLE2 mode was set.

After the IDLE2 mode has been released, the normal operation mode is restored.

(1) Releasing IDLE2 mode by non-maskable interrupt request signal or unmasked maskable interrupt request signal

The IDLE mode is released by a non-maskable interrupt request signal or an unmasked maskable interrupt request signal, regardless of the priority of the interrupt request. If the IDLE2 mode is set in an interrupt servicing routine, however, an interrupt request that is issued later is processed as follows.

Table 24-6. Operation After Releasing IDLE2 Mode by Interrupt Request Signal

Release Source	Interrupt Acknowledgment Status	Status After Release	Operation After Release
Reset	Disabled (DI)	–	Normal reset operation
	Enabled (EI)		
Non-maskable interrupt request signal (excluding multiple interrupts)	Disabled (DI)	–	The IDLE2 mode is released, and after securing the specified setup time, the interrupt request is acknowledged.
	Enabled (EI)		
Maskable interrupt request signal	Disabled (DI)	–	The IDLE2 mode is released but the interrupt request that is the release source is not acknowledged. The interrupt request itself is retained. After securing the specified setup time, the interrupt that was being serviced before shifting to the IDLE2 mode is serviced.
	Enabled (EI)	• An interrupt request with a priority higher than that of the release source is being serviced.	The IDLE2 mode is released but the interrupt request that is the release source, is not acknowledged. The interrupt request itself is retained. After securing the specified setup time, the processing that was being executed before shifting to the IDLE2 mode is executed.
		• An interrupt request with a priority lower than that of the release source is being serviced.	The IDLE2 mode is released, and after securing the specified setup time, the interrupt request is acknowledged.

Caution An interrupt request signal that is disabled by setting the PSC.NMI2M, PSC.NMI0M, and PSC.INTM bits to 1 (interrupt disabled) is invalid and cannot release the IDLE2 mode.

Table 24-7. Operating Status in IDLE2 Mode

Setting of IDLE2 Mode		Operating Status	
		When Subclock Is Not Used	When Subclock Is Used
LVI		Operable	
Main clock oscillator		Oscillates	
Subclock oscillator		–	Oscillates
Internal oscillator		Oscillation enabled	
PLL		Stops operation	
CPU		Stops operation	
DMA		Stops operation	
Interrupt controller		Stops operation (but standby mode release is possible)	
Timer P (TMP0 to TMP5)		Stops operation	
Timer Q (TMQ0)		Stops operation	
Timer M (TMM0)		Operable when $f_{R/8}$ is selected as the count clock	Operable when $f_{R/8}$ or f_{XT} is selected as the count clock
Watch timer/RTC		Operable when f_x (divided BRG) is selected as the count clock	Operable
Watchdog timer 2		Operable when $f_{R/8}$ is selected as the count clock	Operable when $f_{R/8}$ or f_{XT} is selected as the count clock
Serial interface	CSIB0 to CSIB4	Operable when the SCKBn input clock is selected as the count clock (n = 0 to 4)	
	I ² C00 to I ² C02	Stops operation	
	UARTA0 to UARTA5	Stops operation (but UARTA0 is operable when the ASCKA0 input clock is selected)	
	UARTC0	Stops operation	
A/D converter		Holds operation (conversion result held) ^{Note}	
D/A converter		Holds operation (output held) ^{Note}	
Real-time output function (RTO)		Stops operation (output held)	
Key interrupt function (KR)		Operable	
CRC operation circuit		Stops operation	
External bus interface		See 2.2 Pin States.	
Port function		Retains status before IDLE2 mode was set	
CPU register set		Retains status before IDLE2 mode was set	
Internal RAM			
USB function		Stops operation	

Note To realize low power consumption, stop the A/D and D/A converters before shifting to the IDLE2 mode.

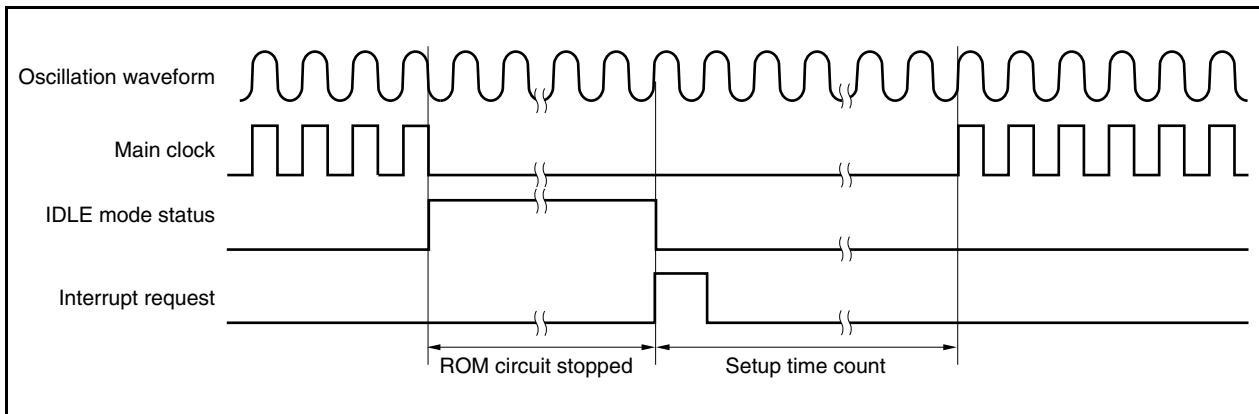
24.5.3 Securing setup time when releasing IDLE2 mode

Setting the IDLE2 mode stops the operation of blocks other than the main clock oscillator, so the setup time specified by the OSTS register for the PLL or the flash memory is automatically secured after the IDLE2 mode is released.

(1) Releasing IDLE2 mode by non-maskable interrupt request signal or unmasked maskable interrupt request signal

Secure the specified setup time by setting the OSTS register.

When the releasing source is generated, the dedicated internal timer starts counting according to the OSTS register setting. When it overflows, the normal operation mode is restored.



(2) Release by reset ($\overline{\text{RESET}}$ pin input, WDT2RES generation)

This operation is the same as that of a normal reset.

The oscillation stabilization time differs depending on the option byte. For details, see **CHAPTER 30 OPTION BYTE**.

24.6 STOP Mode/Low-Voltage STOP Mode

24.6.1 Setting and operation status

The STOP mode is set by setting the PSMR.PSM1 and PSMR.PSM0 bits to 01 or 11 and setting the PSC.STP bit to 1 in the normal operation mode. The low-voltage STOP mode is set by setting the PSMR.PSM1 and PSMR.PSM0 bits to 01 or 11 and setting the PSC.STP bit to 1 after setting the REGOVL0 register to 01H in normal operation mode.

In the STOP mode, the subclock oscillator continues operating but the main clock oscillator stops. Clock supply to the CPU and the on-chip peripheral functions is stopped.

As a result, program execution stops, and the contents of the internal RAM before the STOP mode was set are retained. Clock supply to the CPU and the on-chip peripheral functions is stopped, but the subclock oscillator continues operating. In the STOP mode, CSIBn and UARTA0, which can operate on the external clock, also continue operating. In the low-voltage STOP mode, however, stop supplying the external clock to CSIBn and UARTA0 (n = 0 to 4) because these blocks cannot continue operating.

Table 24-8 shows the operating status in the STOP mode and Table 24-9 shows the operating status in the low-voltage STOP mode.

Because the STOP mode stops operation of the main clock oscillator, it reduces the power consumption to a level lower than the IDLE2 mode. If the subclock oscillator, internal oscillator, low-voltage detector (LVI), and external clock are not used, the power consumption can be minimized with only leakage current flowing.

The power consumption decreases further in the low-voltage STOP mode because the voltage of the regulator is lowered.

Be sure to set the low-voltage STOP mode using the following procedure.

(1) Procedure for switching from normal mode to low-voltage STOP mode

Specify the following settings in the normal operation mode (while the main clock is operating). In addition, set up the OSTS register as necessary.

<1> Stop the functions whose operation is specified as stopped in **Table 24-9 Operating Status in Low-Voltage STOP Mode**.

Be especially sure to stop the following, because they are signals from external sources.

- Stop the \overline{SCKBn} input clock when the \overline{SCKBn} input clock to CSIBn is selected (n = 0 to 4).
- Stop the ASCKA0 input clock when the ASCKA0 input clock to UARTA0 is selected.

<2> Disable DMA.

<3> • Disable maskable interrupts by using the DI instruction.

- Disable the NMI interrupt (INTF02 = 0, INTR02 = 0).

- Create a status in which the INTWDT2 signal is not generated (create a status in which the INTWDT2 signal is not generated immediately after watchdog timer 2 has been cleared).

<4> Write C9H (enabling data) to the REGPR register.

<5> Write 01H to the REGOVL0 register.

At this time, the output voltage of the regulator is at the normal level.

<6> Write 00H (protection data) to the REGPR register.

<7> As necessary, enable maskable interrupts, the NMI interrupt, or the INTWDT2 interrupt by using the EI instruction (restore the settings in <2> and <3> above).

<8> Set the STOP mode.

PSMR.PSM1, PSMR.PSM0 bits = 01 or 11
PSC.STP bit = 1

In the STOP mode, the output voltage of the regulator drops, decreasing the current consumption to an extremely low level.

Be sure to observe the above sequence.

Note, however, that step <7> may be performed at any time as long as it is done after step <6>. (The setting in step <7> may be made without problem, even after the low-voltage STOP mode has been released.)

Cautions 1. Insert five or more NOP instructions after the instruction that stores data in the PSC register to set the STOP mode/low-voltage STOP mode.

2. If the STOP mode/low-voltage STOP mode is set while an unmasked interrupt request signal is being held pending, the CPU does not shift to the STOP mode/low-voltage STOP mode but executes the next instruction.

Table 24-8. Operating Status in STOP Mode

Setting of STOP Mode		Operating Status	
		When Subclock Is Not Used	When Subclock Is Used
LVI		Operable	
Main clock oscillator		Stops oscillation	
Subclock oscillator		–	Oscillates
Internal oscillator		Oscillation enabled	
PLL		Stops operation	
CPU		Stops operation	
DMA		Stops operation	
Interrupt controller		Stops operation (but standby mode release is possible)	
Timer P (TMP0 to TMP5)		Stops operation	
Timer Q (TMQ0)		Stops operation	
Timer M (TMM0)		Operable when $f_{R/8}$ is selected as the count clock	Operable when $f_{R/8}$ or f_{XT} is selected as the count clock
Watch timer/RTC		Stops operation	Operable when f_{XT} is selected as the count clock
Watchdog timer 2		Operable when $f_{R/8}$ is selected as the count clock	Operable when $f_{R/8}$ or f_{XT} is selected as the count clock
Serial interface	CSIB0 to CSIB4	Operable when the SCKBn input clock is selected as the count clock (n = 0 to 4)	
	I ² C00 to I ² C02	Stops operation	
	UARTA0 to UARTA5	Stops operation (but UARTA0 is operable when the ASCKA0 input clock is selected)	
	UARTC0	Stops operation	
A/D converter		Stops operation (conversion result undefined) ^{Notes 1, 2}	
D/A converter		Stops operation ^{Notes 3, 4} (high impedance is output)	
Real-time output function (RTO)		Stops operation (output held)	
Key interrupt function (KR)		Operable	
CRC operation circuit		Stops operation	
External bus interface		See 2.2 Pin States .	
Port function		Retains status before STOP mode was set	
CPU register set		Retains status before STOP mode was set	
Internal RAM			
USB function		Stops operation	

- Notes1.** If the STOP mode is set while the A/D converter is operating, the A/D converter is automatically stopped and starts operating again after the STOP mode is released. However, in that case, the first A/D conversion result after the STOP mode is released is invalid. The A/D conversion result before the STOP mode is set is also invalid.
- Even if the STOP mode is set while the A/D converter is operating, the power consumption is reduced equivalently to when the A/D converter is stopped before the STOP mode is set.
 - If the STOP mode is set while the D/A converter is operating, the D/A converter is automatically stopped and the pin status becomes high impedance. After the STOP mode is released, D/A conversion resumes, the setting time elapses, and the status returns to the output level before the STOP mode was set.
 - Even if the STOP mode is set while the D/A converter is operating, the power consumption is reduced equivalently to when the D/A converter is stopped before the STOP mode is set.

Table 24-9. Operating Status in Low-Voltage STOP Mode

Setting of Low-Voltage STOP Mode		Operating Status	
		When Subclock Is Not Used	When Subclock Is Used
LVI		Operable	
Main clock oscillator		Stops oscillation	
Subclock oscillator		–	Oscillates
Internal oscillator		Oscillation enabled	
PLL		Stops operation	
CPU		Stops operation	
DMA		Stops operation	
Interrupt controller		Stops operation (but standby mode release is possible)	
Timer P (TMP0 to TMP5)		Stops operation	
Timer Q (TMQ0)		Stops operation	
Timer M (TMM0)		Operable when $f_{R/8}$ is selected as the count clock	Operable when $f_{R/8}$ or f_{XT} is selected as the count clock
Watch timer/RTC		Stops operation	Operable when f_{XT} is selected as the count clock
Watchdog timer 2		Operable when $f_{R/8}$ is selected as the count clock	Operable when $f_{R/8}$ or f_{XT} is selected as the count clock
Serial interface	CSIB0 to CSIB4	Stops operation (When the SCKBn input clock is selected as the count clock, be sure to stop the SCKBn input clock (n = 0 to 4).)	
	I ² C00 to I ² C02	Stops operation	
	UARTA0 to UARTA5	Stops operation (When the ASCKA0 input clock to UARTA0 is selected, be sure to stop the ASCKA0 input clock.)	
	UARTC0	Stops operation	
A/D converter		Stops operation (conversion result undefined) ^{Notes 1, 2}	
D/A converter		Stops operation ^{Notes 3, 4} (high impedance is output)	
Real-time output function (RTO)		Stops operation (output held)	
Key interrupt function (KR)		Operable	
CRC operation circuit		Stops operation	
External bus interface		See 2.2 Pin States.	
Port function		Retains status before low-voltage STOP mode was set	
CPU register set		Retains status before low-voltage STOP mode was set	
Internal RAM		Retains status before low-voltage STOP mode was set	
USB function		Stops operation	

Notes1. If the low-voltage STOP mode is set while the A/D converter is operating, the A/D converter is automatically stopped and starts operating again after the low-voltage STOP mode is released. However, in that case, the A/D conversion results after the low-voltage STOP mode is released are invalid. All the A/D conversion results before the low-voltage STOP mode is set are invalid.

2. Even if the low-voltage STOP mode is set while the A/D converter is operating, the power consumption is reduced equivalently to when the A/D converter is stopped before the low-voltage STOP mode is set.
3. If the low-voltage STOP mode is set while the D/A converter is operating, the D/A converter is automatically stopped. After the low-voltage STOP mode is released, D/A conversion resumes, the setting time elapses, and the status returns to the output level before the low-voltage STOP mode was set.
4. Even if the low-voltage STOP mode is set while the D/A converter is operating, the power consumption is reduced equivalently to when the D/A converter is stopped before the low-voltage STOP mode is set.

24.6.2 Releasing STOP mode/low-voltage STOP mode

The STOP mode/low-voltage STOP mode is released by a non-maskable interrupt request signal (NMI pin input, INTWDT2 signal), unmasked external interrupt request signal (INTP0 to INTP7 pin input), unmasked internal interrupt request signal from the peripheral functions operable in the STOP mode/low-voltage STOP mode, or reset signal (reset by $\overline{\text{RESET}}$ pin input, WDT2RES signal, or low-voltage detector (LVI)).

After the STOP mode/low-voltage STOP mode has been released, the normal operation mode is restored after the oscillation stabilization time has been secured.

For re-set after releasing the low-voltage STOP mode, see **24.6.3 Re-setting after release of low-voltage STOP mode.**

(1) Releasing STOP mode by non-maskable interrupt request signal or unmasked maskable interrupt request signal

The STOP mode is released by a non-maskable interrupt request signal or an unmasked maskable interrupt request signal, regardless of the priority of the interrupt request. If the STOP mode/low-voltage STOP mode is set in an interrupt servicing routine, however, an interrupt request that is issued later is serviced as follows.

Table 24-10. Operation After Releasing STOP Mode/Low-Voltage STOP Mode by Interrupt Request Signal

Release Source	Interrupt Acknowledgment Status	Status After Release	Operation After Release
Reset	Disabled (DI)	–	Normal reset operation
	Enabled (EI)		
Non-maskable interrupt request signal (excluding multiple interrupts)	Disabled (DI)	–	The STOP mode/low-voltage STOP mode is released, and after securing the oscillation stabilization time, the interrupt request is acknowledged.
	Enabled (EI)		
Maskable interrupt request signal	Disabled (DI)	–	The STOP mode/low-voltage STOP mode is released but the interrupt request that is the release source is not acknowledged. The interrupt request itself is retained. After securing the oscillation stabilization time, the processing that was being executed before shifting to the STOP mode/low-voltage STOP mode is executed.
	Enabled (EI)	• An interrupt request with a priority higher than that of the release source is being serviced.	The STOP mode/low-voltage STOP mode is released but the interrupt request that is the release source is not acknowledged. The interrupt request itself is retained. After securing the oscillation stabilization time, the interrupt servicing that was being executed before shifting to the STOP mode/low-voltage STOP mode is executed.
		• An interrupt request with a priority lower than that of the release source is being serviced.	The STOP mode/low-voltage STOP mode is released, and after securing the oscillation stabilization time, the interrupt request is acknowledged.

Caution An interrupt request signal that is disabled by setting the PSC.NMI2M, PSC.NMI0M, and PSC.INTM bits to 1 (interrupt disabled) is invalid and cannot release the STOP mode/low-voltage STOP mode.

24.6.3 Re-setting after release of low-voltage STOP mode

(1) If low-voltage STOP mode is released by interrupt

The status after the low-voltage STOP mode has been released is as follows.

- Regulator: Automatically returns to the normal level.
The oscillation stabilization time specified by the OSTS register is secured.
 - REGOVL0 register = 01H (low-voltage STOP mode): Value described in 24.6.1 (1) <5> is retained.
 - REGPR register = 00H (protection data): Value described in 24.6.1 (1) <6> is retained.
- (a) To continuously use the REGOVL0 register = 01H (low-voltage STOP mode), the other registers do not have to be set again.
- (b) Follow this procedure when returning the REGOVL0 register = 00H.
- <1> Disable the DMA.
 - <2>
 - Disable the maskable interrupt by the DI instruction.
 - Disable the NMI interrupt (INTF02 = 0, INTR02 = 0).
 - Create a status in which the INTWDT2 signal is not generated (stop watchdog timer 2 or set a mode other than the INTWDT2 mode. Create a status in which the INTWDT2 signal is not generated immediately after watchdog timer 2 has been cleared).
 - <3> Write C9H (enabling data) to the REGPR register.
 - <4> Write 00H to the REGOVL0 register.
 - <5> Write 00H (protection data) to the REGPR register.
 - <6> As necessary, enable the maskable interrupt, NMI interrupt, or INTWDT2 interrupt by enabling DMA or the EI instruction (restore the settings <1> and <2> above).

Be sure to observe the above sequence.

(2) If low-voltage STOP mode is released by reset

The CPU shifts to the normal operation mode immediately after the reset ends, and the REGOVL0 register is initialized to 00H and the REGPR register to 00H (protection data). Be sure to secure the oscillation stabilization time that follows immediately after a reset ends by setting the option byte. For details, see **CHAPTER 30 OPTION BYTE**.

Caution Interrupt requests that are set to 1 (disabled) by the PSC.NMI1M, PSC.NMI0M, and PSC.INTM bits are invalid and cannot release the low-voltage STOP mode.

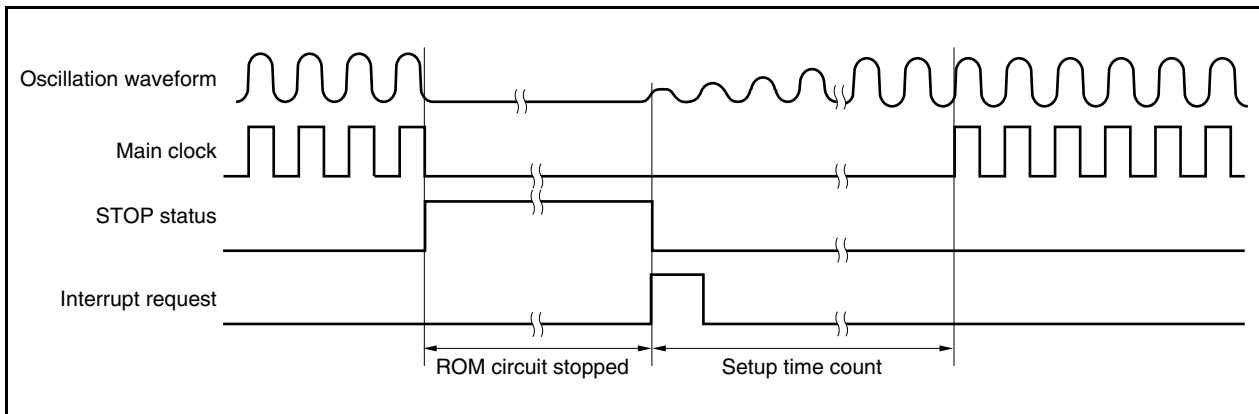
24.6.4 Securing oscillation stabilization time when releasing STOP mode

Secure the oscillation stabilization time for the main clock oscillator after releasing the STOP mode because the operation of the main clock oscillator stops after STOP mode is set.

(1) Releasing STOP mode by non-maskable interrupt request signal or unmasked maskable interrupt request signal

Secure the oscillation stabilization time by setting the OSTS register.

When the releasing source is generated, the dedicated internal timer starts counting according to the OSTS register setting. When it overflows, the normal operation mode is restored.



(2) Release by reset

This operation is the same as that of a normal reset.

The oscillation stabilization time differs depending on the option byte. For details, see **CHAPTER 30 OPTION BYTE**.

24.7 Subclock Operation Mode/Low-Voltage Subclock Operation Mode

24.7.1 Setting and operation status

The subclock operation mode is set by setting the PCC.CK3 bit to 1 in the normal operation mode. The low-voltage subclock operation mode is set by setting the REGOVL0 register to 02H in the subclock operation mode.

When the subclock operation mode is set, the internal system clock is changed from the main clock to the subclock. Check whether the clock has been switched by using the PCC.CLS bit.

When the PCC.MCK bit is set to 1, the operation of the main clock oscillator is stopped. As a result, the system operates only on the subclock.

In the subclock operation mode, power consumption can be reduced to a level lower than in the normal operation mode because the subclock is used as the internal system clock. In addition, power consumption can be further reduced to the level of the STOP mode by stopping the operation of the main clock oscillator. Power consumption decreases further in the low-voltage subclock operation mode because the voltage of the regulator is lowered.

When the main clock oscillator is stopped in the subclock operation mode, CSIBn and UARТА0, which can operate on the external clock, also continue operating. In the low-voltage subclock operation mode, however, stop supplying the external clock input to CSIBn and UARТА0 because these blocks cannot continue operating (n = 0 to 4).

Cautions 1. When manipulating the CK3 bit, do not change the set values of the PCC.CK2 to PCC.CK0 bits (using a bit manipulation instruction to manipulate the bit is recommended). For details of the PCC register, see 6.3 (1) Processor clock control register (PCC).

2. If the following conditions are not satisfied, change the CK2 to CK0 bits so that the conditions are satisfied and set the subclock operation mode.

$$\text{Internal system clock (f}_{\text{CLK}}) > \text{Subclock (f}_{\text{XT}} = 32.768 \text{ kHz)} \times 4$$

Remark Internal system clock (f_{CLK}): Clock generated from main clock (f_{xx}) in accordance with the settings of the CK2 to CK0 bits

Be sure to set the low-voltage subclock operation mode using the following procedure.

(1) Procedure for switching from subclock operation mode to low-voltage subclock operation mode

Make the following settings in the subclock operation mode.

<1> Stop the main clock and PLL.

<2> Stop the functions whose operation is specified as stopped in **Table 24-14 Operating Status in Low-Voltage Sub-IDLE Mode**.

Be especially sure to stop the following, because they are signals from external sources.

- Stop the \overline{SCKBn} input clock when the \overline{SCKBn} input clock to CSIBn is selected (n = 0 to 4).
- Stop the ASCKA0 input clock when the ASCKA0 input clock to UAR0A0 is selected.

<3> Disable DMA (if DMA is enabled).

<4> • Disable maskable interrupts by using the DI instruction.

- Disable the NMI interrupt (INTF02 = 0, INTR02 = 0).

- Create a status in which the INTWDT2 signal is not generated (create a status in which the INTWDT2 signal is not generated immediately after watchdog timer 2 has been cleared).

<5> Write C9H (enabling data) to the REGPR register.

<6> Write 02H to the REGOVL0 register.

At this time, the output voltage of the regulator is at the low level, decreasing power consumption to an extremely low level.

<7> Write 00H (protection data) to the REGPR register.

<8> As necessary, enable maskable interrupts, the NMI interrupt, or the INTWDT2 interrupt by using the EI instruction (restore the setting in <4> above).

Be sure to observe the above sequence.

For the setting of the subclock operation mode, see **24.7.1 Setting and operation status**.

Table 24-11 shows the operating status in the subclock operation mode and Table 24-12 shows the operating status in the low-voltage subclock operation mode.

Table 24-11. Operating Status in Subclock Operation Mode

Setting of Subclock Operation Mode Item		Operating Status	
		When Main Clock Is Oscillating	When Main Clock Is Stopped
LVI		Operable	
Subclock oscillator		Oscillates	
Internal oscillator		Oscillation enabled	
PLL		Operable	Stops operation ^{Note1}
CPU		Operable	
DMA		Operable	
Interrupt controller		Operable	
Timer P (TMP0 to TMP5)		Operable	Stops operation
Timer Q (TMQ0)		Operable	Stops operation
Timer M (TMM0)		Operable	Operable when f_{R8} or f_{XT} is selected as the count clock
Watch timer/RTC		Operable	Operable when f_{XT} is selected as the count clock
Watchdog timer 2		Operable	Operable when f_{R8} or f_{XT} is selected as the count clock
Serial interface	CSIB0 to CSIB4	Operable	Operable when the \overline{SCKBn} input clock is selected as the count clock ($n = 0$ to 4)
	I ² C00 to I ² C02	Operable	Stops operation
	UARTA0 to UARTA5	Operable	Stops operation (but UARTA0 is operable when the ASCKA0 input clock is selected)
	UARTC0	Operable	Stops operation
A/D converter		Operable	Stops operation
D/A converter		Operable	
Real-time output function (RTO)		Operable	Stops operation (output held)
Key interrupt function (KR)		Operable	
CRC operation circuit		Operable	
External bus interface		See 2.2 Pin States.	
Port function		Settable	
CPU register set		Settable	
Internal RAM			
USB function		Stops operation	

Note Be sure to stop the PLL (PLLCTL.PLLON bit = 0) before stopping the main clock.

Caution When the CPU is operating on the subclock and main clock oscillation is stopped, a register for which a wait has been specified must not be accessed. If a wait is generated, it can only be canceled by a reset (see 3.4.8 (2)).

Table 24-12. Operating Status in Low-Voltage Subclock Operation Mode

Setting of Low-Voltage Subclock Operation Mode		Operating Status
		Main Clock Is Stopped (Must Be Stopped)
Item		
LVI		Operable
Subclock oscillator		Oscillates
Internal oscillator		Oscillation enabled
PLL		Stops operation ^{Note}
CPU		Operable
DMA		Stops operation (must stop)
Interrupt controller		Operable
Timer P (TMP0 to TMP5)		Stops operation
Timer Q (TMQ0)		Stops operation
Timer M (TMM0)		Operable when $f_{R/8}$ or f_{XT} is selected as the count clock
Watch timer/RTC		Operable when f_{XT} is selected as the count clock
Watchdog timer 2		Operable when $f_{R/8}$ or f_{XT} is selected as the count clock
Serial interface	CSIB0 to CSIB4	Stops operation (When the $SCKB_n$ input clock is selected as the count clock, be sure to stop the $SCKB_n$ input clock ($n = 0$ to 4).)
	I ² C00 to I ² C02	Stops operation
	UARTA0 to UARTA5	Stops operation (When the ASCKA0 input clock to UARTA0 is selected, be sure to stop the ASCKA0 input clock.)
	UARTC0	Stops operation
A/D converter		Stops operation
D/A converter		Stops operation (must stop)
Real-time output function (RTO)		Stops operation (output held)
Key interrupt function (KR)		Operable
CRC operation circuit		Stops operation (must stop)
External bus interface		See 2.2 Pin States.
Port function		Settable
CPU register set		Settable
Internal RAM		
USB function		Stops operation

Note Be sure to stop the PLL (PLLCTL.PLLON bit = 0).

Caution When the CPU is operating on the subclock and main clock oscillation is stopped, a register for which a wait is specified must not be accessed. If a wait is generated, it can only be canceled by a reset (see 3.4.8 (2)).

24.7.2 Releasing subclock operation mode

The subclock operation mode is released by a reset signal (reset by $\overline{\text{RESET}}$ pin input, WDT2RES signal, low-voltage detector (LVI), or clock monitor (CLM)) when the CK3 bit is set to 0.

If the main clock is stopped (MCK bit = 1), set the MCK bit to 1, secure the oscillation stabilization time of the main clock by software, and set the CK3 bit to 0.

The normal operation mode is restored when the subclock operation mode is released.

Caution When manipulating the CK3 bit, do not change the set values of the CK2 to CK0 bits (using a bit manipulation instruction to manipulate the bit is recommended).

For details of the PCC register, see 6.3 (1) Processor clock control register (PCC).

24.7.3 Releasing low-voltage subclock operation mode

In low-voltage subclock mode, the subclock operation mode is set by setting the REGOVL0 register to 00H. After that, transit to the normal mode according to 24.7.2 Releasing subclock operation mode. Be sure to follow this procedure to transit the mode from the low-voltage subclock operation mode to the subclock operation mode.

(1) Procedure for setting “low-voltage subclock operation mode” → “subclock operation mode”

Make the following settings in the low-voltage subclock operation mode.

- <1>
 - Disable the maskable interrupt by the DI instruction.
 - Disable the NMI interrupt (INTF02 = 0, INTR02 = 0).
 - Create a status in which the INTWDT2 signal is not generated (create a status in which the INTWDT2 signal is not generated immediately after watchdog timer 2 has been cleared).
- <2> Write C9H (enabling data) to the REGPR register.
- <3> Write 00H to the REGOVL0 register (transit to the subclock operation mode).
- <4> Write 00H (protection data) to the REGPR register.
- <5> Wait for at least 800 μs by software.
- <6> As necessary, enable the maskable interrupt, NMI interrupt, or INTWDT2 interrupt by the EI instruction (restore the setting <1> above).
- <7> Enable the DMA if necessary.
- <8> Start the functions to be used, from among those that have been stopped in steps <1> and <2> in section 24.7.1 (1) Procedure for setting “subclock operation mode” → “low-voltage subclock operation mode”.

Be sure to observe the above sequence.

Note, however, that <6>, <7>, and <8> may be performed at any time as long as it is done after <5>.

(2) If low-voltage subclock operation mode is released by reset

When the low-voltage subclock operation mode is released by a reset signal (reset by $\overline{\text{RESET}}$ pin input, WDT2RES signal, low-voltage detector (LVI), or clock monitor (CLM)), the CPU shifts to the normal operation mode immediately after the reset ends, and the REGOVL0 register is initialized to 00H and the REGPR register to 00H (protection data). Be sure to secure the oscillation stabilization time that follows immediately after a reset ends by setting the option byte. For details, see CHAPTER 30 OPTION BYTE.

24.8 Sub-IDLE Mode/Low-Voltage Sub-IDLE Mode

24.8.1 Setting and operation status

The sub-IDLE mode is set by setting the PSMR.PSM1 and PSMR.PSM0 bits to 00 or 10 and setting the PSC.STP bit to 1 in the subclock operation mode. The low-voltage sub-IDLE mode is set by setting the PSMR.PSM1 and PSMR.PSM0 bits to 00 or 10 and setting the PSC.STP bit to 1 after setting the REGOVL0 register to 02H in the subclock operation mode.

In this mode, the clock oscillator continues operating but clock supply to the CPU, flash memory, and the other on-chip peripheral functions is stopped.

As a result, program execution stops and the contents of the internal RAM before the sub-IDLE mode was set are retained. The CPU and the other on-chip peripheral functions are stopped. However, the on-chip peripheral functions that can operate with the subclock or an external clock, continue operating. In the subclock operation mode, CSIBn and UAR0A0 that can operate with the external clock also continue operating. In the low-voltage subclock operation mode, however, stop supplying the external clock input to CSIBn and UAR0A0 because these blocks cannot continue operating (n = 0 to 4).

Because the sub-IDLE mode stops operation of the CPU, flash memory, and other on-chip peripheral functions, it can reduce the power consumption more than the subclock operation mode.

If the sub-IDLE mode is set after the main clock has been stopped, the current consumption can be reduced to a level as low as that in the STOP mode. The power consumption decreases further in the low-voltage sub-IDLE mode because the voltage of the regulator is lowered.

Table 24-13 shows the operating status in the sub-IDLE mode and Table 24-14 shows the operating status in the low-voltage sub-IDLE mode.

Be sure to set the low-voltage sub-IDLE mode in the following procedure.

(1) Procedure for setting “subclock operation mode” → “low-voltage subclock operation mode” → “low-voltage sub-IDLE mode”

Make the following settings in the subclock operation mode.

<1> Stop the main clock and PLL.

<2> Stop the functions that are specified to be stopped in **Table 24-14 Operating Status in Low-Voltage Sub-IDLE Mode**.

Be especially sure to stop the following functions, because they are signals from external sources.

- Stop $\overline{\text{SCKBn}}$ input clock when the $\overline{\text{SCKBn}}$ input clock to CSIBn is selected (n = 0 to 4).
- Stop ASCKA0 input clock when the ASCKA0 input clock to UAR0A0 is selected.

<3> Disable the DMA operation (if the DMA operation is enabled).

<4> • Disable the maskable interrupt by the DI instruction.

- Disable the NMI interrupt (INTF02 = 0, INTR02 = 0).

- Create a status in which the INTWDT2 signal is not generated (set a status in which the INTWDT2 signal is not generated immediately after watchdog timer 2 has been cleared).

<5> Write C9H (enabling data) to the REGPR register.

<6> Write 02H to the REGOVL0 register.

At this time, the output voltage of the regulator is at the low level, decreasing the power consumption to an extremely low level.

<7> Write 00H (protection data) to the REGPR register.

<8> As necessary, enable the maskable interrupt, NMI interrupt, or INTWDT2 interrupt by the EI instruction (restore the settings in step <4>).

<9> Set the sub-IDLE mode.

PSMR.PSM1, PSMR.PSM0 bits = 00 or 10 PSC.STP bit = 1

Be sure to observe the above sequence.

For the setting of the subclock operation mode, see 24.7.1 **Setting and operation status**.

- Cautions 1.** Following the store instruction to the PSC register for setting the sub-IDLE mode/low-voltage sub-IDLE mode, insert the five or more NOP instructions.
- 2.** If the sub-IDLE mode/low-voltage sub-IDLE mode is set while an unmasked interrupt request signal is being held pending, the CPU does not shift to the sub-IDLE mode/low-voltage sub-IDLE mode but executes the next instruction.

Table 24-13. Operating Status in Sub-IDLE Mode

Setting of Sub-IDLE Mode		Operating Status	
		When Main Clock Is Oscillating	When Main Clock Is Stopped
LVI		Operable	
Subclock oscillator		Oscillates	
Internal oscillator		Oscillation enabled	
PLL		Operable	Stops operation ^{Note 1}
CPU		Stops operation	
DMA		Stops operation	
Interrupt controller		Stops operation (but standby mode release is possible)	
Timer P (TMP0 to TMP5)		Stops operation	
Timer Q (TMQ0)		Stops operation	
Timer M (TMM0)		Operable when $f_{R/8}$ or f_{XT} is selected as the count clock	
Watch timer/RTC		Operable	Operable when f_{XT} is selected as the count clock
Watchdog timer 2		Operable when $f_{R/8}$ or f_{XT} is selected as the count clock	
Serial interface	CSIB0 to CSIB4	Operable when the \overline{SCKBn} input clock is selected as the count clock ($n = 0$ to 4)	
	I ² C00 to I ² C02	Stops operation	
	UARTA0 to UARTA5	Stops operation (but UARTA0 is operable when the ASCKA0 input clock is selected)	
	UARTC0	Stops operation	
A/D converter		Holds operation (conversion result held) ^{Note 2}	
D/A converter		Holds operation (output held ^{Note 2})	
Real-time output function (RTO)		Stops operation (output held)	
Key interrupt function (KR)		Operable	
CRC operation circuit		Stops operation	
External bus interface		See 2.2 Pin States (same operation status as IDLE1 and IDLE2 modes).	
Port function		Retains status before sub-IDLE mode was set	
CPU register set		Retains status before sub-IDLE mode was set	
Internal RAM			
USB function		Stops operation	

Notes 1. Be sure to stop the PLL (PLLCTL.PLLON bit = 0) before stopping the main clock.

2. To realize low power consumption, stop the A/D and D/A converters before shifting to the sub-IDLE mode.

Table 24-14. Operating Status in Low-Voltage Sub-IDLE Mode

Setting of Low-Voltage Sub-IDLE Mode		Operating Status
		Main Clock Is Stopped (Must Be Stopped)
Item		
LVI		Operable
Subclock oscillator		Oscillates
Internal oscillator		Oscillation enabled
PLL		Stops operation ^{Note}
CPU		Stops operation
DMA		Stops operation
Interrupt controller		Stops operation (but standby mode release is possible)
Timer P (TMP0 to TMP5)		Stops operation
Timer Q (TMQ0)		Stops operation
Timer M (TMM0)		Operable when $f_{R/8}$ or f_{XT} is selected as the count clock
Watch timer/RTC		Operable when f_{XT} is selected as the count clock
Watchdog timer 2		Operable when $f_{R/8}$ or f_{XT} is selected as the count clock
Serial interface	CSIB0 to CSIB4	Stops operation (When the SCKBn input clock is selected as the count clock, be sure to stop the SCKBn input clock (n = 0 to 4).)
	I ² C00 to I ² C02	Stops operation
	UARTA0 to UARTA5	Stops operation (When the ASCKA0 input clock to UARTA0 is selected, be sure to stop the ASCKA0 input clock.)
	UARTC0	Stops operation
A/D converter		Stops operation
D/A converter		Stops operation (must stop)
Real-time output function (RTO)		Stops operation (output held)
Key interrupt function (KR)		Operable
CRC operation circuit		Stops operation
External bus interface		See 2.2 Pin States (same operation status as IDLE1 and IDLE2 modes).
Port function		Retains status before low-voltage sub-IDLE mode was set
CPU register set		Retains status before low-voltage sub-IDLE mode was set
Internal RAM		
USB function		Stops operation

Note Be sure to stop the PLL (PLLCTL.PLLON bit = 0).

24.8.2 Releasing sub-IDLE mode/low-voltage sub-IDLE mode

The sub-IDLE mode/low-voltage sub-IDLE mode is released by a non-maskable interrupt request signal (NMI pin input, INTWDT2 signal), unmasked external interrupt request signal (INTP0 to INTP7 pin input), unmasked internal interrupt request signal from the peripheral functions operable in the sub-IDLE mode/low-voltage sub-IDLE mode, or reset signal (reset by $\overline{\text{RESET}}$ pin input, WDT2RES signal, low-voltage detector (LVI), or clock monitor (CLM)). The PLL returns to the operating status it was in before the sub-IDLE mode was set. It returns to the stop status in the low-voltage sub-IDLE mode.

When the sub-IDLE mode is released by an interrupt request signal, the subclock operation mode is set.

When the low-voltage sub-IDLE mode is released by an interrupt request signal, the low-voltage subclock operation mode is set.

For releasing low-voltage subclock operation mode, see **24.7.3 Releasing low-voltage subclock operation mode**.

(1) Releasing sub-IDLE mode/low-voltage sub-IDLE mode by non-maskable interrupt request signal or unmasked maskable interrupt request signal

The sub-IDLE mode/low-voltage sub-IDLE mode is released by a non-maskable interrupt request signal or an unmasked maskable interrupt request signal, regardless of the priority of the interrupt request. If the sub-IDLE mode/low-voltage sub-IDLE mode is set in an interrupt servicing routine, however, an interrupt request signal that is issued later is serviced as follows.

Table 24-15. Operation After Releasing Sub-IDLE Mode/Low-Voltage IDLE Mode by Interrupt Request Signal

Release Source	Interrupt Acknowledgment Status	Status After Release	Operation After Release	
Reset	Disabled (DI)	–	Normal reset operation	
	Enabled (EI)			
Non-maskable interrupt request signal (excluding multiple interrupts)	Disabled (DI)	–	The interrupt request is acknowledged when the sub-IDLE mode/low-voltage sub-IDLE mode is released.	
	Enabled (EI)			
Maskable interrupt request signal	Disabled (DI)	–	The sub-IDLE mode/low-voltage sub-IDLE mode is released but the interrupt request that is the release source is not acknowledged. The interrupt request itself is retained. The processing that was being executed before shifting to the sub-IDLE mode/low-voltage sub-IDLE mode is executed.	
		Enabled (EI)	• An interrupt request with a priority higher than that of the release source is being serviced.	The sub-IDLE mode/low-voltage sub-IDLE mode is released but the interrupt request that is the release source is not acknowledged. The interrupt request itself is retained. The interrupt that was being serviced before shifting to the sub-IDLE mode/low-voltage sub-IDLE mode is serviced.
			• An interrupt request with a priority lower than that of the release source is being serviced.	The interrupt request is acknowledged when the sub-IDLE mode/low-voltage sub-IDLE mode is released.

- Cautions1.** An interrupt request signal that is disabled by setting the PSC.NMI2M, PSC.NMI0M, and PSC.INTM bits to 1 (interrupt disabled) is invalid and cannot release the sub-IDLE mode/low-voltage sub-IDLE mode.
- 2.** When the sub-IDLE mode/low-voltage sub-IDLE mode are released, 12 cycles of the subclock (about 366 μ s) elapse from when the interrupt request signal that releases the sub-IDLE mode is generated to when the mode is released.

24.9 RTC backup Mode

The V850ES/JG3-L can be switched to the RTC backup mode by stopping power supplies other than the RTC backup power supply (RV_{DD}) after the settings for pre-RTC backup mode have been specified. and this mode can reduce current consumption much.

In the RTC backup mode, the RTC counts and the subclock oscillator operates by using a regulator dedicated to the RTC backup area that uses RV_{DD} as the power supply. For detail, see **CHAPTER 11 REAL-TIME COUNTER**.

24.9.1 Registers

The registers that control the RTC backup mode are as follows.

- RTC backup control register 0 (RTCBUMCTL0)
- Subclock low-power operation control register (SOSCAMCTL)

(1) RTC backup control register 0 (RTCBUMCTL0)

The RTCBUMCTL0 register is the register that controls RTC backup mode. This register is a special register that can only be written in a specific sequence (see 3.4.7 Special registers).

This register can be read or written in 8-bit or 1-bit units.

After reset: Note R/W Address: FFFFFB00H								
	<7>	6	5	4	3	2	1	<0>
RTCBUMCTL0	RBMEN	0	0	0	0	0	0	RBMSET

RBMEN	RTC backup mode control
0	Using RTC backup mode is disabled
1	Using RTC backup mode is enabled

RBMSET	RTC backup mode setting
0	Exiting the pre-RTC backup mode
1	Setting the pre-RTC backup mode When the RBMSET bit is set (to 1), switch the RTC status to the following. <ul style="list-style-type: none"> • Select the division clock of subclock (f_{X1}) as RTC input clock • RTC interrupt function stop • RTC pin output function stop • RTC time error correction function stop

Note RV_{DD} power-on reset : 00H
 Other kind of reset : Previous value retained

Cautions

1. **Do not set the RBMEN and RBMSET bits (to 1) at the same time. If they are set (to 1) at the same time, the RTC backup mode might not operate correctly. Set the RBMEN bit (to 1) first, and then set the RBMSET bit (to 1).**
2. **Do not set the RBMSET bit (to 1) while the RBMEN bit is 0. If the RBMSET bit is set (to 1) at this time, the bit is set (to 1), but the pre-RTC backup mode is not specified.**

(2) Subclock low-power operation control register (SOSCAMCTL)

The SOSCAMCTL register is used to select the low-power control method of the subclock (f_{XT}) to perform low-power operations in the RTC backup mode. This register is a special register that can only be written in a specific sequence (see **3.4.7 Special registers**).

This register can be read or written in 8-bit or 1-bit units.

This register is cleared to 00H when a power-on reset operation is executed for R_{VDD} .

After Reset: Note		R/W	Address: FFFFFB03H					
SOSCAMCTL	7	6	5	4	3	2	1	<0>
	0	0	0	0	0	0	0	AMPHS
AMPHS		Subclock (f_{XT}) oscillator mode select						
0		Normal oscillation						
1		Ultra low consumption oscillation						

Note R_{VDD} power-on reset : 00H
Other kind of reset : Previous value retained

Caution Be sure to set bits 7 to 1 to "0".

Remark When the subclock (f_{XT}) is oscillating in the ultra low consumption mode, the effects of noise can more easily cause the incorrect number of oscillation cycle counting. Before deciding to use this mode, thoroughly evaluate the effects of noise.

24.9.2 RTC backup mode setting conditions

The RTC backup mode can be entered by stopping power supplies other than the RTC backup power supply (R_{VDD}) after the settings for the pre-RTC backup mode have been specified. The procedures for setting and exiting pre-RTC backup mode are described below.

(1) Conditions for setting pre-RTC backup mode

If the following conditions are satisfied, the pre-RTC backup mode is set.

<1> RTCBUMCTL0.RBMEN = 1 (Using RTC backup mode is enabled.)

<2> SOSCAMCTL.AMPHS = 1 (This setting is necessary for subclock (f_{XT}) oscillation in the ultra low consumption mode, but the setting is not necessary for the RTC backup mode.)

<3> RTCBUMCTL0.RBMSET = 1 (Pre-RTC backup mode setting.)

(2) Conditions for exiting pre-RTC backup mode

If the following conditions are satisfied, the pre-RTC backup mode is exited.

<1> SOSCAMCTL.AMPHS = 0 (the normal oscillation of the subclock.)

<2> RTCBUMCTL0.RBMSET = 0 (Pre-RTC backup mode exiting.)

24.9.3 RTC backup mode setting procedure

The RTC backup mode setting/exiting procedure as follows.

(1) Setting the RTC backup mode

Caution In the subclock operation, the RTC backup mode is prohibited.
In the main clock operation, be sure to set the RTC backup mode.

(a) Initial settings

Before entering the RTC backup mode, execute the setting mode below.

<i> Initial settings for RTC backup mode

- Set RTCBUMCTL0 to 1 (specific sequence), and set up the status in which RTC backup mode is enabled.
- Set SOSCAMCTL.AMPHS to 0 (specific sequence), and specify normal oscillation for the subclock (f_{XT}).
- Set RTCBUMCTL0.RBMSET to 0 (specific sequence), and exit the pre-RTC backup mode.
- NOP

<ii> Initial settings for peripheral functions

- Specify that the LVI be used as an interrupt.
(Use the LVIS register to set the low-voltage detection level to 2.8 V (TYP.) or 2.3 V (TYP.).)
- If the RTC is in the initial state ($RC1CC0.RC1PWR = 0$), specify the RTC initial settings.

Caution Use the RC1CC0.RC1CKS bit to specify the subclock (f_{XT}) as the RTC operating clock and start RTC operation. (For how to start RTC operation, see CHAPTER 11 REAL-TIME COUNTER).

(b) INTLVI interrupt servicing routine

After the V_{DD} decreases and INTLVI interrupt occurs, use the INTLVI interrupt servicing routine to execute the following processing.

- <1> Read the low-voltage detection flag (LVIM.LVIF) and confirm that LVIM.LVIF = 1. If LVIM.LVIF = 1, perform step <2> and the following steps. If LVIM.LVIF = 0, the V_{DD} voltage has not decreased to the LVI detection level, so do not specify the pre-RTC backup mode (step <2> and subsequent steps), and execute the exit processing in **(3) Exiting the pre-RTC backup mode (when no external reset has occurred)**.
- <2> Set the operation clock in accordance with V_{DD} voltage (2.2 V@5 MHz, 2.0 V@2.5 MHz, etc).
- <3> Disable the DMA^{Note1}.
- <4> Prohibit NMIs (by clearing INTF02 and INTR02 to 0) and set up a status in which INTWDT2 is not immediately generated (by clearing WDT2), or stop WDT2 or the WDT2 source clock^{Note 2, 3, 4}.
- <5> Mask maskable interrupts other than INTLVI by using interrupt mask registers 0 to 3.
- <6> Set SOSCAMCTL.AMPHS to 1 (specific sequence), and set the subclock (f_{XT}) to ultra low consumption mode.
- <7> Set RTCBUMCTL0.RBMSET to 1 (specific sequence), and set the pre-RTC backup mode.
- <8> Set the STOP mode. (The system enters RTC backup mode once the V_{DD} voltage supply stops.)
- <9> RETI.

- Notes1.** In the INTLVI interrupt servicing routine, if a DMA operation occurs before disabling DMA operations and the V_{DD} voltage reaches the minimum guaranteed voltage before the DMA transfer finishes, it becomes impossible to specify the pre-RTC backup mode.
2. In the INTLVI interrupt servicing routine, if an NMI or INTWDT2 interrupt occurs while specifying the settings in <4>, interrupt servicing starts. If this servicing takes a while, the V_{DD} voltage reaches the minimum guaranteed voltage during the servicing and it becomes impossible to specify the pre-RTC backup mode.
 3. If the option function is used to set WDTMD1 to 1 and fix WDT2 to the reset mode, WDT2 cannot be stopped. If a reset occurs while these settings are specified, the pre-RTC backup mode is exited according to the initial settings of the pre-RTC backup mode specified in the reset initialization flow.
 4. In <4> above, if INTWDT2 is generated by clearing WDT2, and then INTWDT2 is generated in the pre-RTC backup mode without the power supplies other than the RTC backup power supply (R_{VDD}) being stopped (that is, without an external reset being generated), the pre-RTC backup mode is exited.

Remark If a system reset occurs before the processing in step <7> in the INTLVI interrupt servicing routine above is carried out, the system will not enter RTC backup mode even if the V_{DD} voltage drops.

(2) Exiting the RTC backup mode (when an external reset has occurred)

After entering the RTC backup mode, if an external reset signal ($\overline{\text{RESET}}$) is generated, execute the settings described in **(1) (a) <i> Initial settings for RTC backup mode**. If the V_{DD} voltage goes outside the guaranteed operating range, it is necessary to generate an external reset signal ($\overline{\text{RESET}}$). Restore the V_{DD} voltage to greater than 2.3 V.

(3) Exiting the pre-RTC backup mode (when an external reset has not occurred)

If the V_{DD} voltage has not dropped to the level at which an external reset signal ($\overline{\text{RESET}}$) is generated after setting the pre-RTC backup mode, the V_{DD} voltage will rise, and once it reaches the level of the LVI voltage, an INTLVI interrupt request signal will be generated, causing the system to exit STOP mode. The RETI instruction that is subsequently executed in step <9> in **(1) (b) INTLVI interrupt servicing routine** causes the processing to exit the INTLVI interrupt servicing routine, at which point the INTLVI interrupt that was held pending when the LVIM.LVIF bit was set to 0 will be acknowledged. At this time, execute the following processing:

(a) INTLVI interrupt servicing routine

After an INTVI interrupt is generated and the normal STOP mode is exited, execute the following processing routine.

- <1> Read the low-voltage detection flag (LVIM.LVIF) and confirm that LVIM.LVIF = 0.
- <2> Clear SOSCAMCTL.AMPHS to 0 (specific sequence), and set the subclock (f_{XT}) to normal oscillation.
- <3> Clear RTCBUMCTL0.RBMSET to 0 (specific sequence), and exit the pre-RTC backup mode.
- <4> NOP
- <5> If necessary, allow EIs and NMIs.

Figure 24-2 shows the RTC backup mode state transition diagram, and Figures 24-3 shows the RTC backup mode setting flow charts.

Figure 24-2. RTC backup mode Status Transition

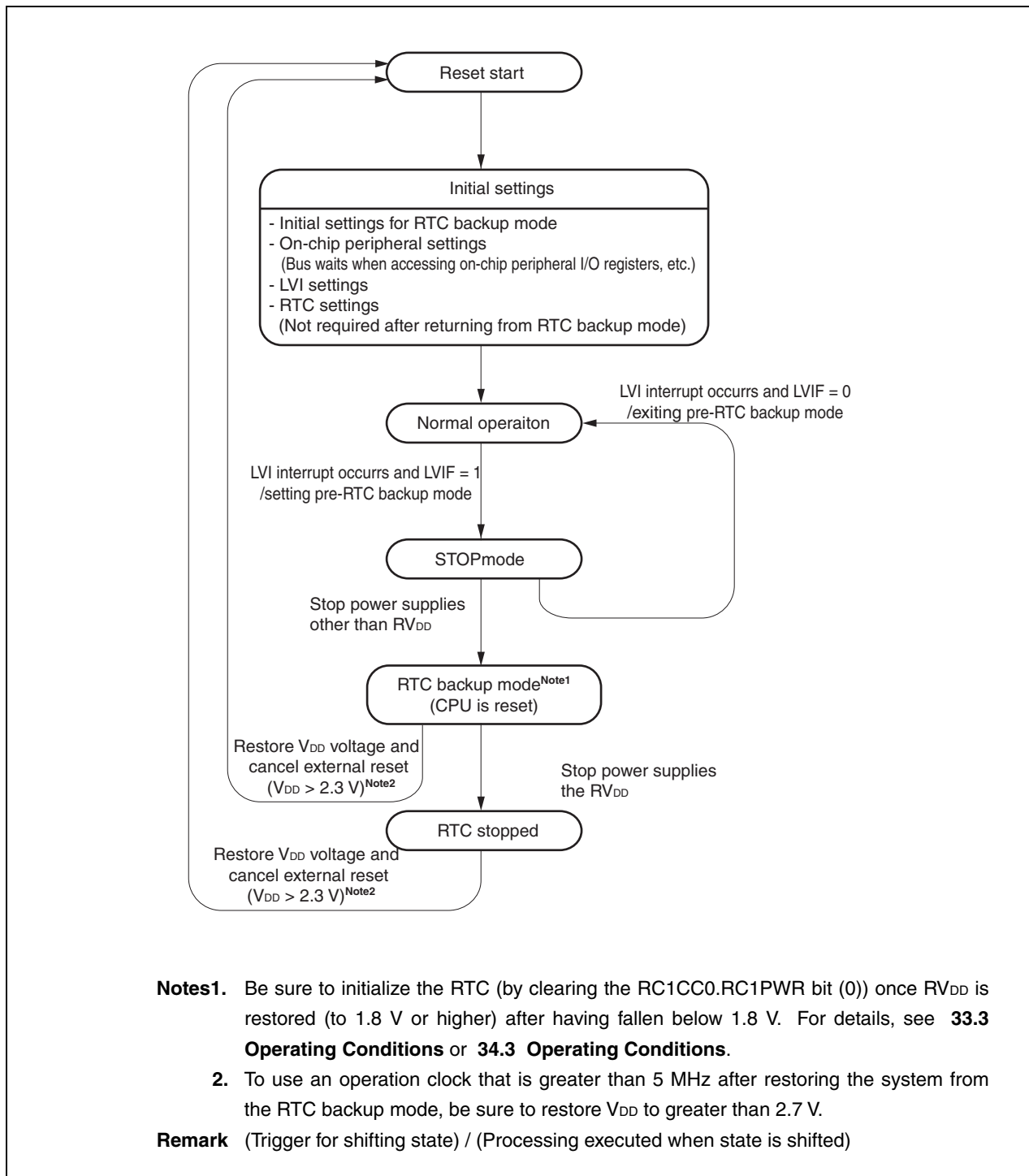


Figure 24-3. Setting the RTC backup mode (1/2)

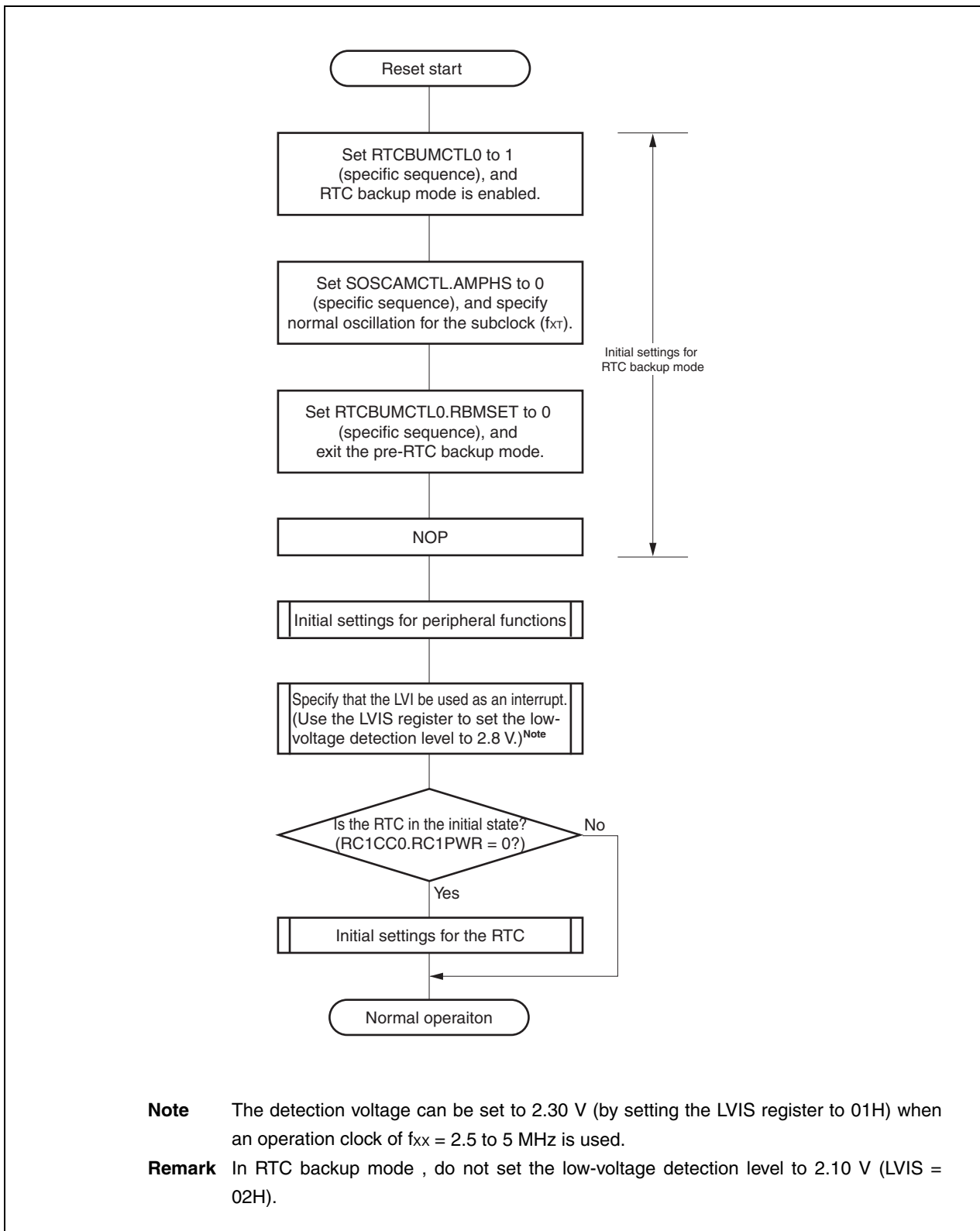


Figure 24-3. Setting the RTC backup mode (2/2)

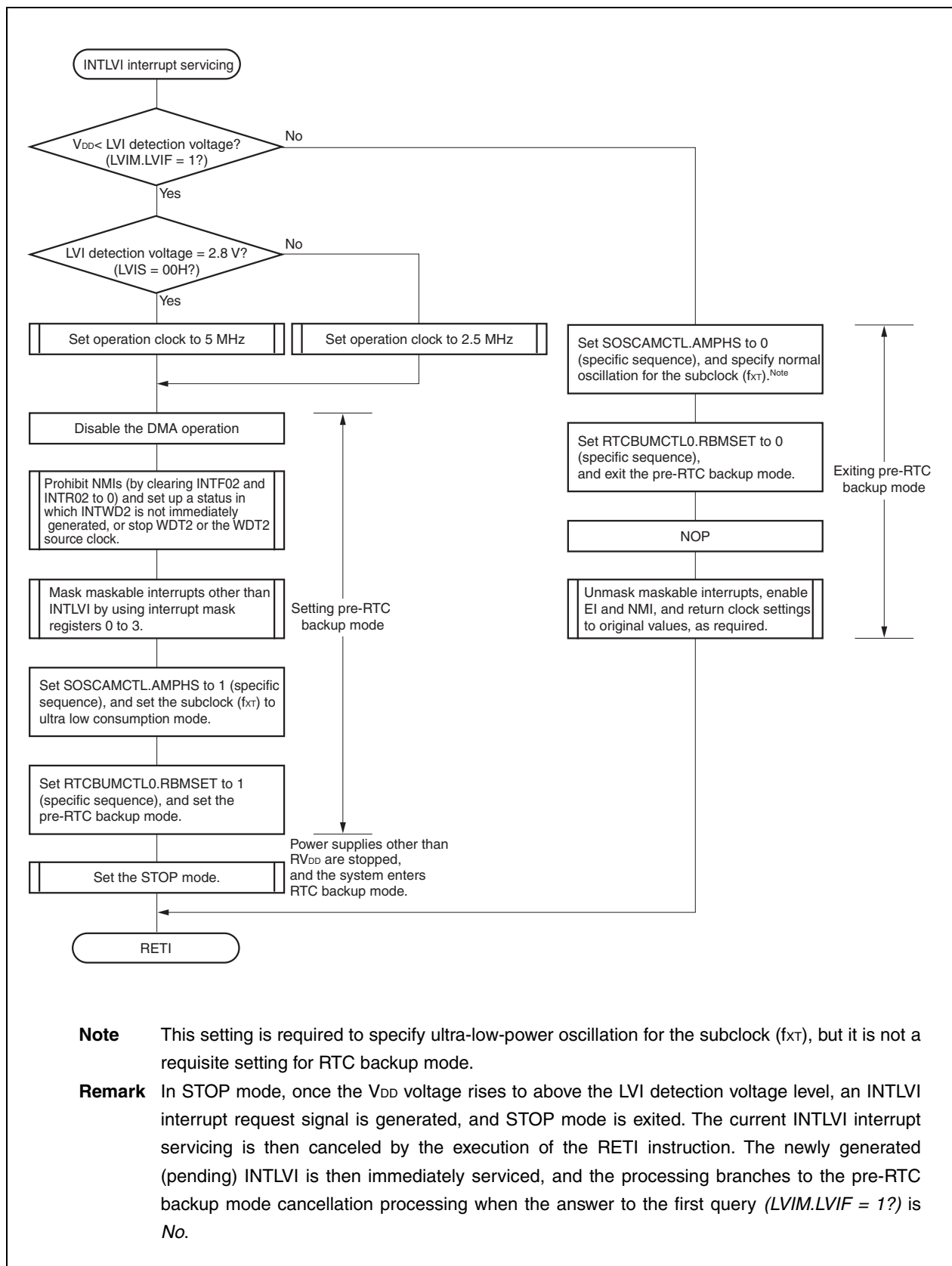


Figure 24-4. RTC Backup Mode Power Supply Configuration Example (Simple power supply)

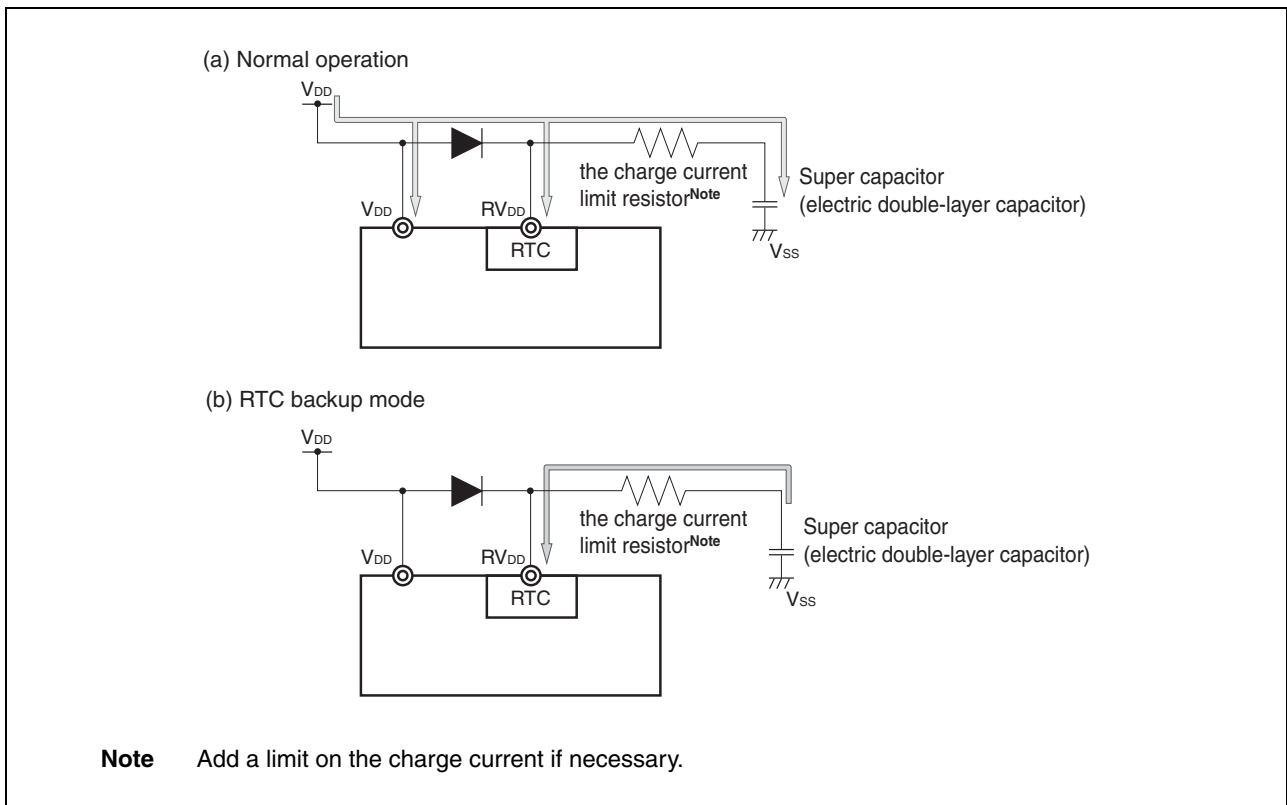
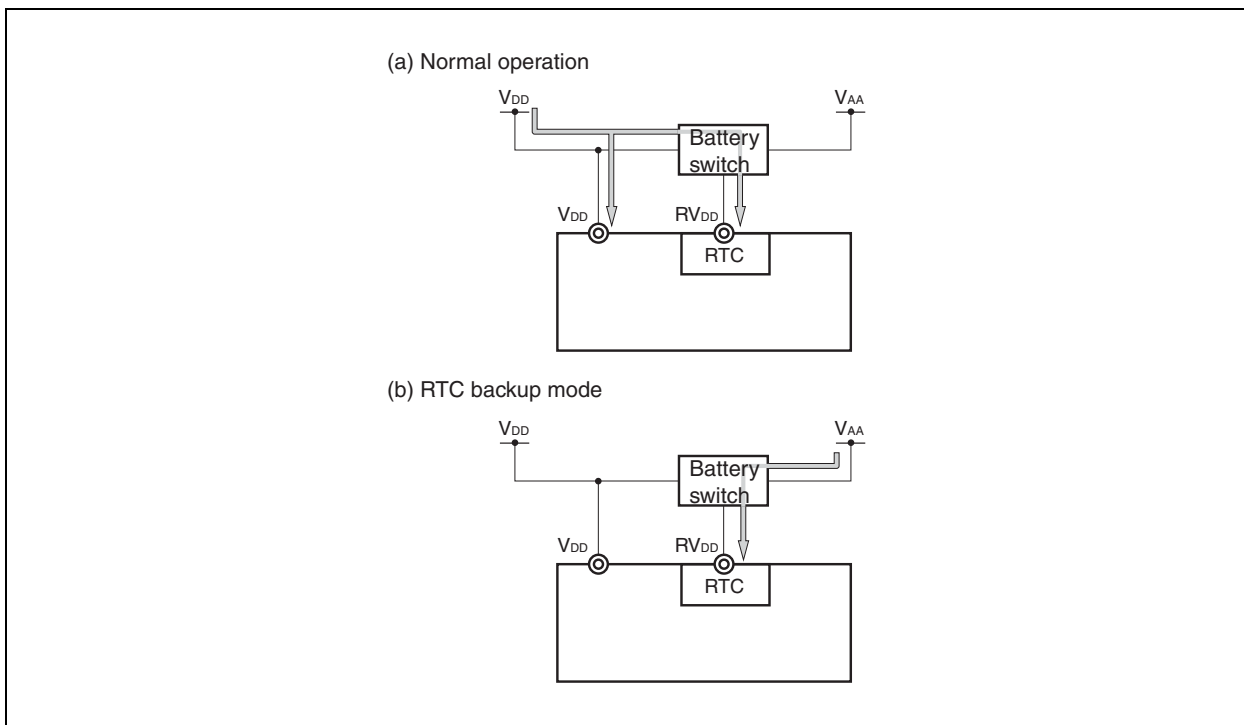


Figure 24-5. RTC Backup Mode Power Supply Configuration Example (Double power supply)



CHAPTER 25 RESET FUNCTION

25.1 Overview

The reset function is used to initialize the settings of the V850ES/JG3-L functions. This function is used, for example, to stop operation at power-on until the supply voltage reaches the operation voltage level, or to initialize the settings of the V850ES/JG3-L functions at any time.

The V850ES/JG3-L starts operating at address 00000000H immediately after a reset ends.

The following sources cause a reset:

(1) Four reset sources

- External reset input via the $\overline{\text{RESET}}$ pin
- Reset via a watchdog timer 2 (WDT2) overflow (WDT2RES)
- System reset based on comparison of the low-voltage detector (LVI) supply voltage and detected voltage
- System reset based on detecting that oscillation of clock monitor (CLM) has stopped

The source of the reset can be confirmed by using the reset source flag register (RESF) immediately after a reset ends.

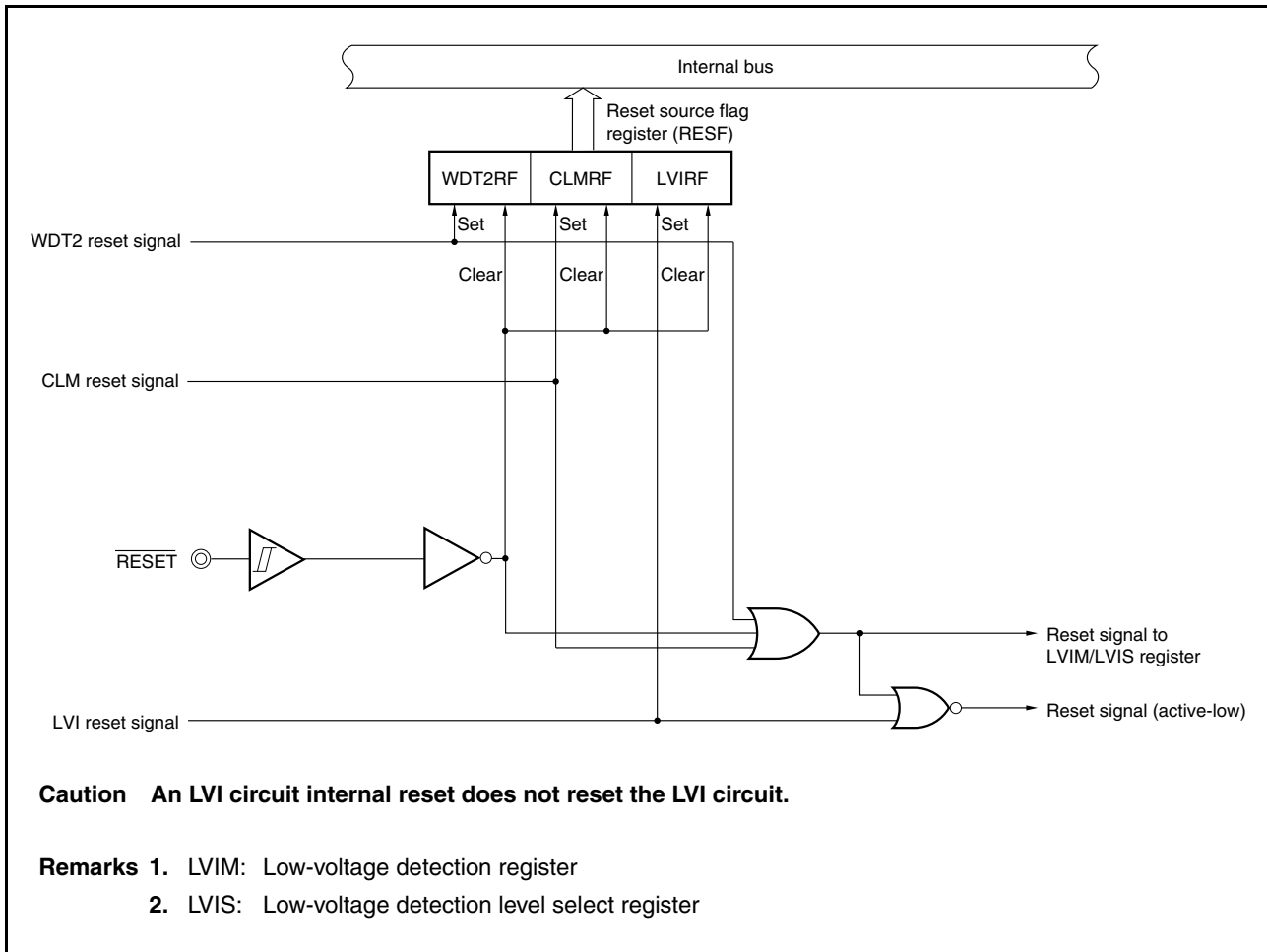
(2) Emergency operation mode

If WDT2 overflows during the main clock oscillation stabilization time inserted after a reset, the main clock oscillation is judged as abnormal and the CPU starts operating on the internal oscillator clock.

Caution In the emergency operation mode, do not access on-chip peripheral I/O registers other than those for the interrupt function, port function, WDT2, and timer M, which can operate on the internal oscillator clock. In addition, operating CSIB0 to CSIB4 and UARTA0 by using an external clock is also prohibited.

25.2 Configuration

Figure 25-1. Block Diagram of Reset Function



25.3 Register to Check Reset Source

The V850ES/JG3-L has four reset sources. The source of the reset that occurred can be checked by using the reset source flag register (RESF) immediately after a reset ends.

(1) Reset source flag register (RESF)

The RESF register is a special register that can be written only in a combination of specific sequences (see **3.4.7 Special registers**).

The RESF register indicates the source that generated a reset signal.

This register is read or written in 8-bit or 1-bit units.

$\overline{\text{RESET}}$ pin input clears this register to 00H. The default value differs if the source of the reset is other than the $\overline{\text{RESET}}$ pin signal.

After reset: 00H^{Note} R/W Address: FFFFF888H

	7	6	5	4	3	2	1	0
RESF	0	0	0	WDT2RF	0	0	CLMRF	LVIRF

WDT2RF	Reset signal from WDT2
0	Not generated
1	Generated

CLMRF	Reset signal from CLM
0	Not generated
1	Generated

LVIRF	Reset signal from LVI
0	Not generated
1	Generated

Note The value of the RESF register is cleared to 00H when a reset is executed via the $\overline{\text{RESET}}$ pin. When a reset is executed by watchdog timer 2 (WDT2), the low-voltage detector (LVI), or the clock monitor (CLM), the reset flags of this register (WDT2RF bit, CLMRF bit, and LVIRF bit) are set. However, other sources are retained.

Caution Only "0" can be written to each bit of this register. If writing "0" conflicts with setting the flag (occurrence of reset), setting the flag takes precedence.

25.4 Operation

25.4.1 Reset operation via $\overline{\text{RESET}}$ pin

When a low level is input to the $\overline{\text{RESET}}$ pin, the system is reset, and each hardware unit is initialized.

When the level of the $\overline{\text{RESET}}$ pin is changed from low to high, the reset status ends.

The $\overline{\text{RESET}}$ pin has an internal noise elimination circuit that uses analog delay (60 ns (TYP.)) to prevent malfunction caused by noise.

Table 25-1. Hardware Status on $\overline{\text{RESET}}$ Pin Input

Item	During Reset	After Reset
Main clock oscillator (fx)	Oscillation stops	Oscillation starts
Subclock oscillator (fxT)	Oscillation continues	
Internal oscillator	Oscillation stops	Oscillation starts
Peripheral clock (fx to fx/1,024)	Operation stops	Operation starts after securing oscillation stabilization time
Internal system clock (fCLK), CPU clock (fCPU)	Operation stops	Operation starts after securing oscillation stabilization time (initialized to fx/8)
CPU	Initialized	Program execution starts at address 00000000H after securing oscillation stabilization time
Watchdog timer 2	Operation stops (initialized to 0)	Counts up from 0 with internal oscillator clock as source clock.
RTC	Operation continues	
Internal RAM	Undefined if power-on reset or CPU access and reset input conflict (data is damaged). Otherwise value immediately after reset input is retained.	
I/O lines (ports/alternate-function pins)	High impedance ^{Note}	
On-chip peripheral I/O registers	Initialized to specified status, OCDM register is set (01H).	
Other on-chip peripheral functions	Operation stops	Operation can be started after securing oscillation stabilization time

Note When the power is turned on, the following pins may output an undefined level temporarily even during reset.

- P10/ANO0 pin
- P11/ANO1 pin
- P53/SIB2/KR3/TIQ00/TOQ00/RTP03/DDO pin

Caution The OCDM register is initialized by the $\overline{\text{RESET}}$ pin input. Therefore, note with caution that, if a high level is input to the P05/DRST pin immediately after a reset ends before the OCDM.OCDM0 bit is cleared, the on-chip debug mode may be entered. For details, see CHAPTER 4 PORT FUNCTIONS.

Figure 25-2. Timing of Reset Operation by $\overline{\text{RESET}}$ Pin Input

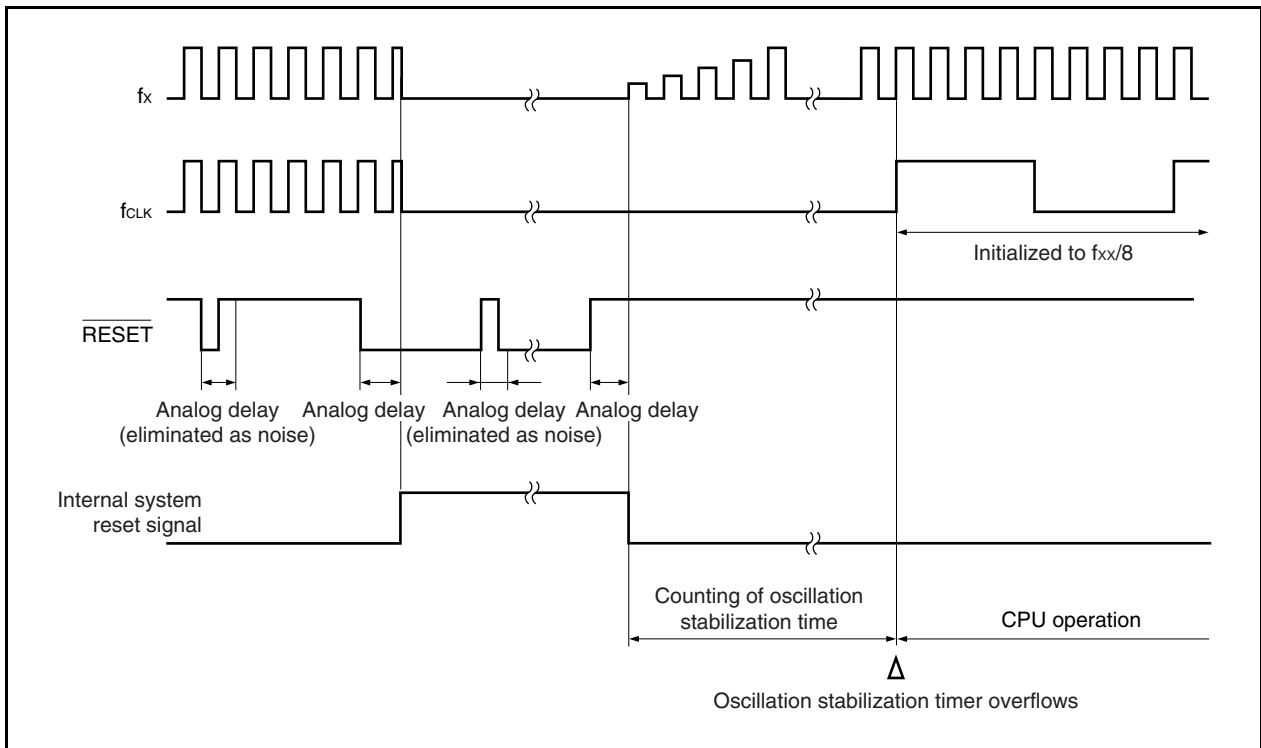
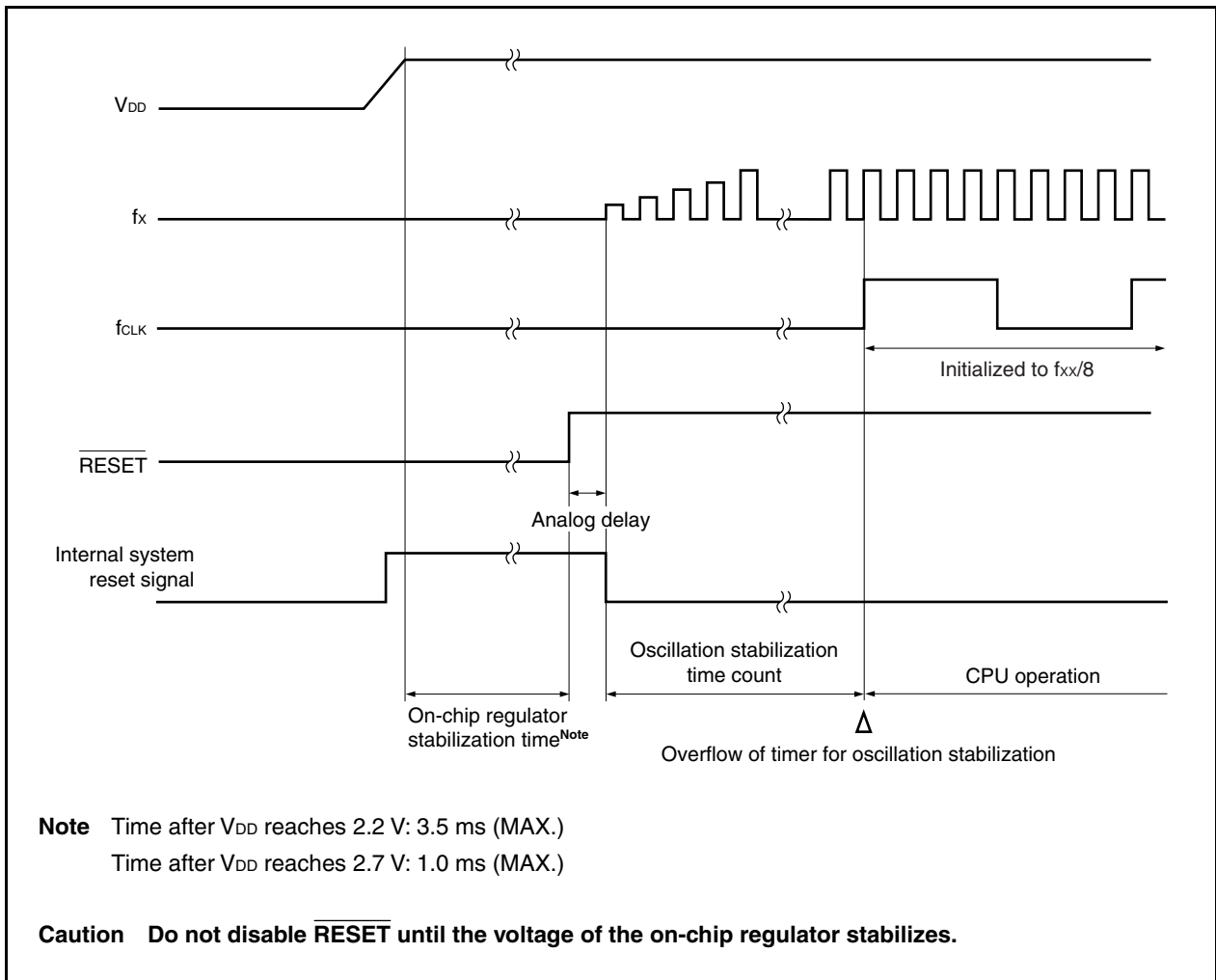


Figure 25-3. Timing of Power-on Reset Operation



25.4.2 Reset operation by watchdog timer 2

When watchdog timer 2 is set to the reset operation mode due to overflow, upon watchdog timer 2 overflow (WDT2RES signal generation), a system reset is executed and the hardware is initialized to the initial status.

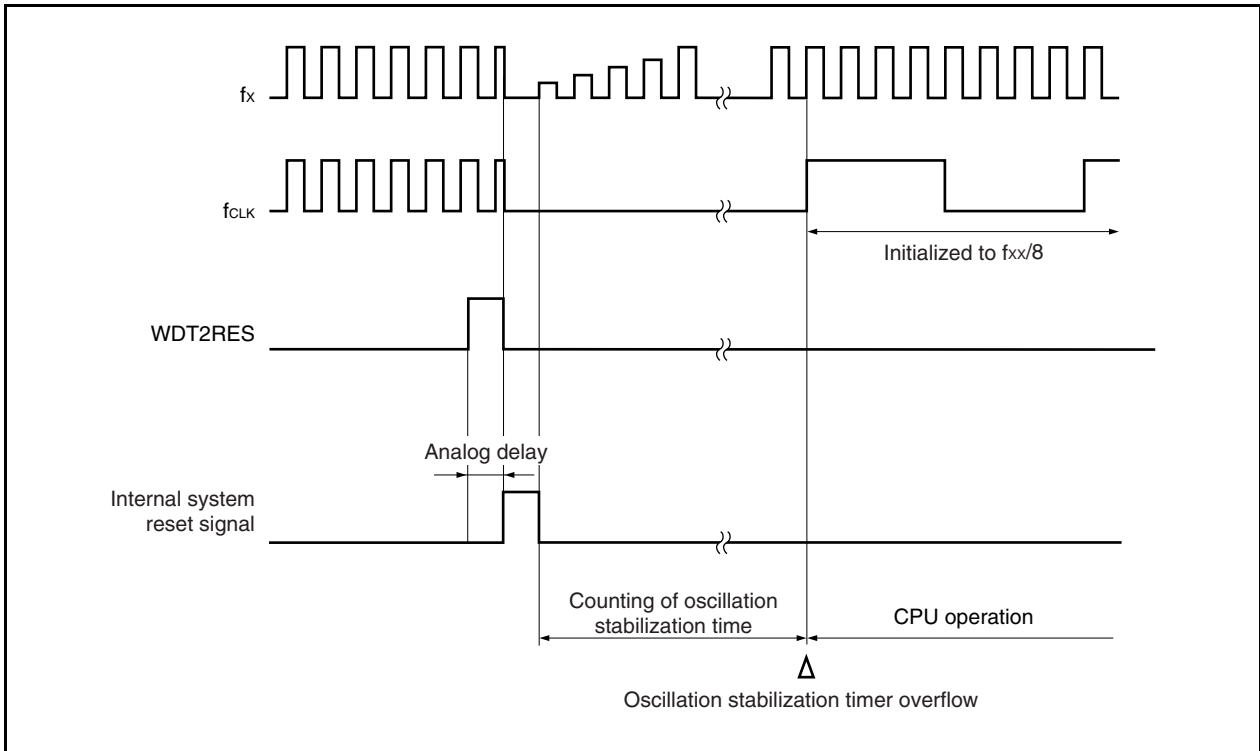
Following watchdog timer 2 overflow, the reset status is entered and lasts the predetermined time (analog delay), and then the reset status ends automatically.

The main clock oscillator is stopped during the reset period.

Table 25-2. Hardware Status During Watchdog Timer 2 Reset Operation

Item	During Reset	After Reset
Main clock oscillator (f_x)	Oscillation stops.	Oscillation starts.
Subclock oscillator (f_{XT})	Oscillation continues.	
Internal oscillator	Oscillation stops.	Oscillation starts.
Peripheral clock (f_{xx} to $f_{xx}/1,024$)	Operation stops.	Operation starts after securing oscillation stabilization time.
Internal system clock (f_{xx}), CPU clock (f_{CPU})	Operation stops.	Operation starts after securing oscillation stabilization time (initialized to $f_{xx}/8$).
CPU	Initialized	Program execution after securing oscillation stabilization time
Watchdog timer 2	Operation stops (initialized to 0).	Counts up from 0 with internal oscillator clock as source clock.
RTC	Operation continues	
Internal RAM	Undefined if power-on reset or CPU access and reset input conflict (data is damaged). Otherwise value immediately after reset input is retained.	
I/O lines (ports/alternate-function pins)	High impedance	
On-chip peripheral I/O register	Initialized to specified status, OCDM register retains its value.	
On-chip peripheral functions other than above	Operation stops.	Operation can be started after securing oscillation stabilization time.

Figure 25-4. Timing of Reset Operation by WDT2RES Signal Generation



25.4.3 Reset operation by low-voltage detector

If the supply voltage falls below the voltage detected by the low-voltage detector when LVI operation is enabled, a system reset is executed (when the LVIM.LVIMD bit is set to 1), and the hardware is initialized to the initial status.

The reset status lasts from when a supply voltage drop has been detected until the supply voltage rises above the LVI detection voltage.

The main clock oscillator is stopped during the reset period.

When the LVIMD bit is cleared to 0, an interrupt request signal (INTLVI) is generated if the supply voltage falls below or exceeds the detected voltage.

Table 25-3. Hardware Status During Reset Operation by Low-Voltage Detector

Item	During Reset	After Reset
Main clock oscillator (f_x)	Oscillation stops.	Oscillation starts.
Subclock oscillator (f_{XT})	Oscillation continues.	
Internal oscillator	Oscillation stops.	Oscillation starts.
Peripheral clock (f_x to $f_x/1,024$)	Operation stops.	Operation starts after securing oscillation stabilization time.
Internal system clock (f_{xx}), CPU clock (f_{CPU})	Operation stops	Operation starts after securing oscillation stabilization time (initialized to $f_{xx}/8$).
CPU	Initialized	Program execution starts after securing oscillation stabilization time
Watchdog timer 2	Operation stops (initialized to 0).	Counts up from 0 with internal oscillator clock as source clock.
RTC	Operation continues	
Internal RAM	Undefined	
I/O lines (ports/alternate-function pins)	High impedance	
On-chip peripheral I/O register	Initialized to specified status, OCDM register retains its value.	
LVI	Operation stops.	
On-chip peripheral functions other than above	Operation stops.	Operation can be started after securing oscillation stabilization time.

Remark For the reset timing of the low-voltage detector, see **CHAPTER 27 LOW-VOLTAGE DETECTOR (LVI)**.

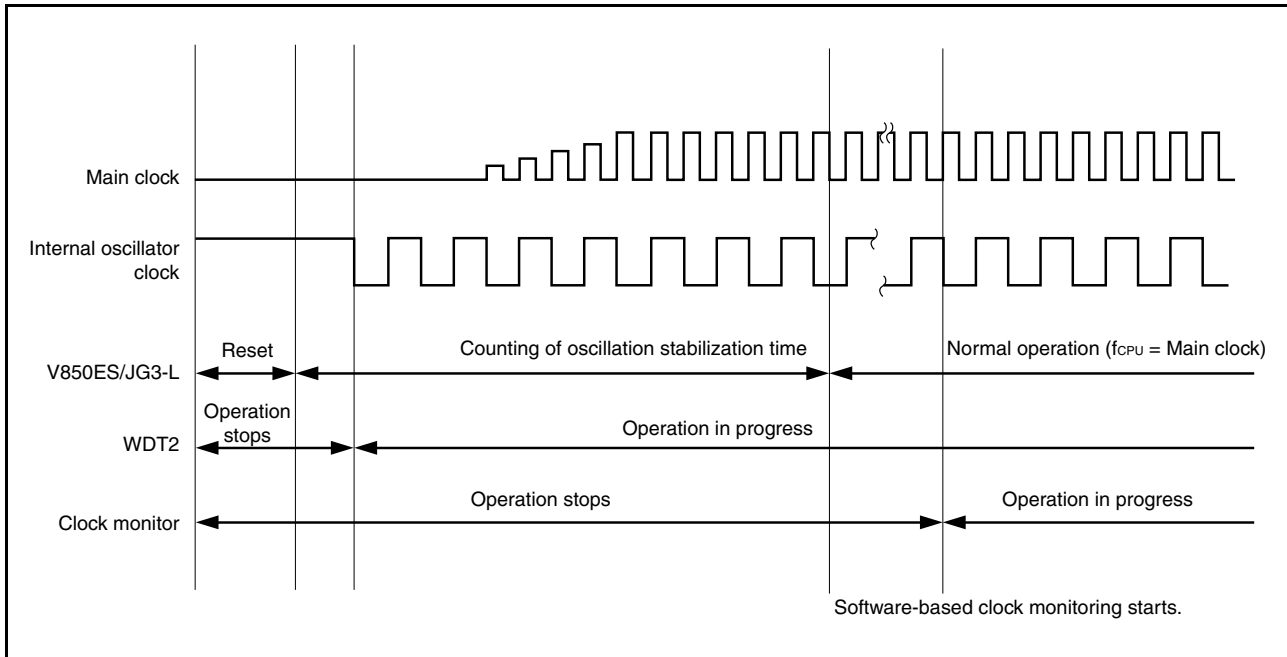
25.4.4 Operation immediately after reset ends

(1) Immediately after reset ends normally

Immediately after a reset ends, the main clock starts oscillating, the oscillation stabilization time (which differs depending on the option byte; for details, see **CHAPTER 30 OPTION BYTE**) is secured, and then the CPU starts executing the program.

WDT2 begins to operate immediately after a reset ends using the internal oscillator clock as the source clock.

Figure 25-5. Operation Immediately After Reset Ends

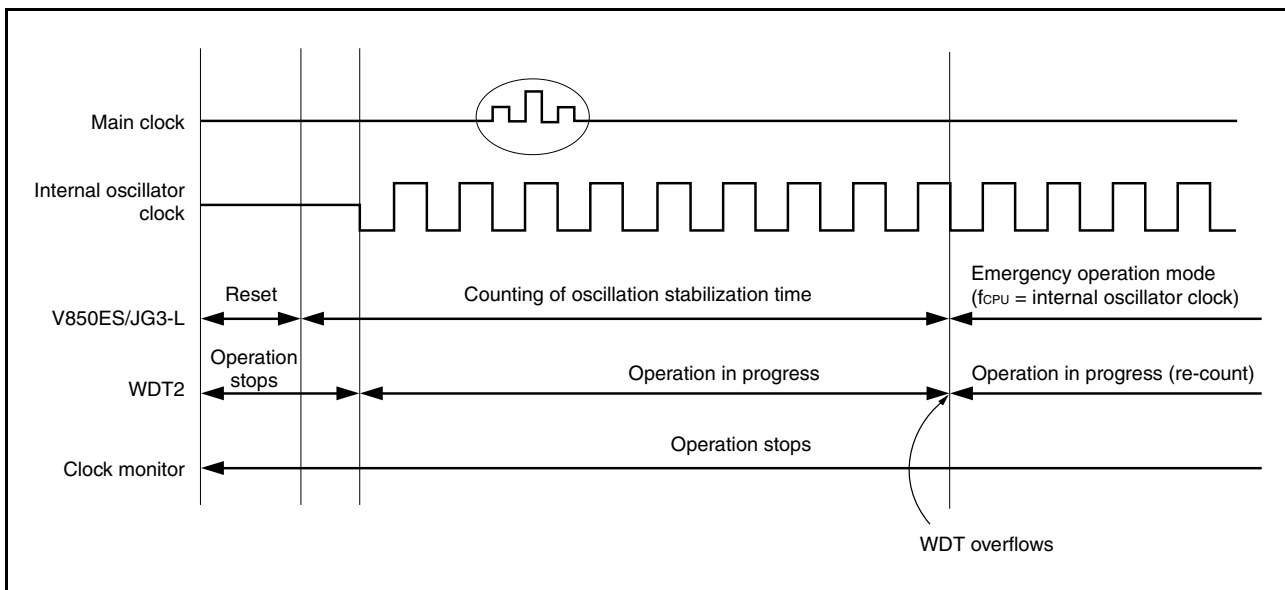


(2) Emergency operation mode

If an anomaly occurs in the main clock before the oscillation stabilization time is secured, WDT2 overflows before the CPU starts executing the program. At this time, the CPU starts executing the program by using the internal oscillator clock as the source clock.

Caution In the emergency operation mode, do not access on-chip peripheral I/O registers other than those for the interrupt function, port function, WDT2, and timer M, which can operate on the internal oscillator clock. In addition, operating CSIB0 to CSIB4 and UARTA0 by using an external clock is also prohibited.

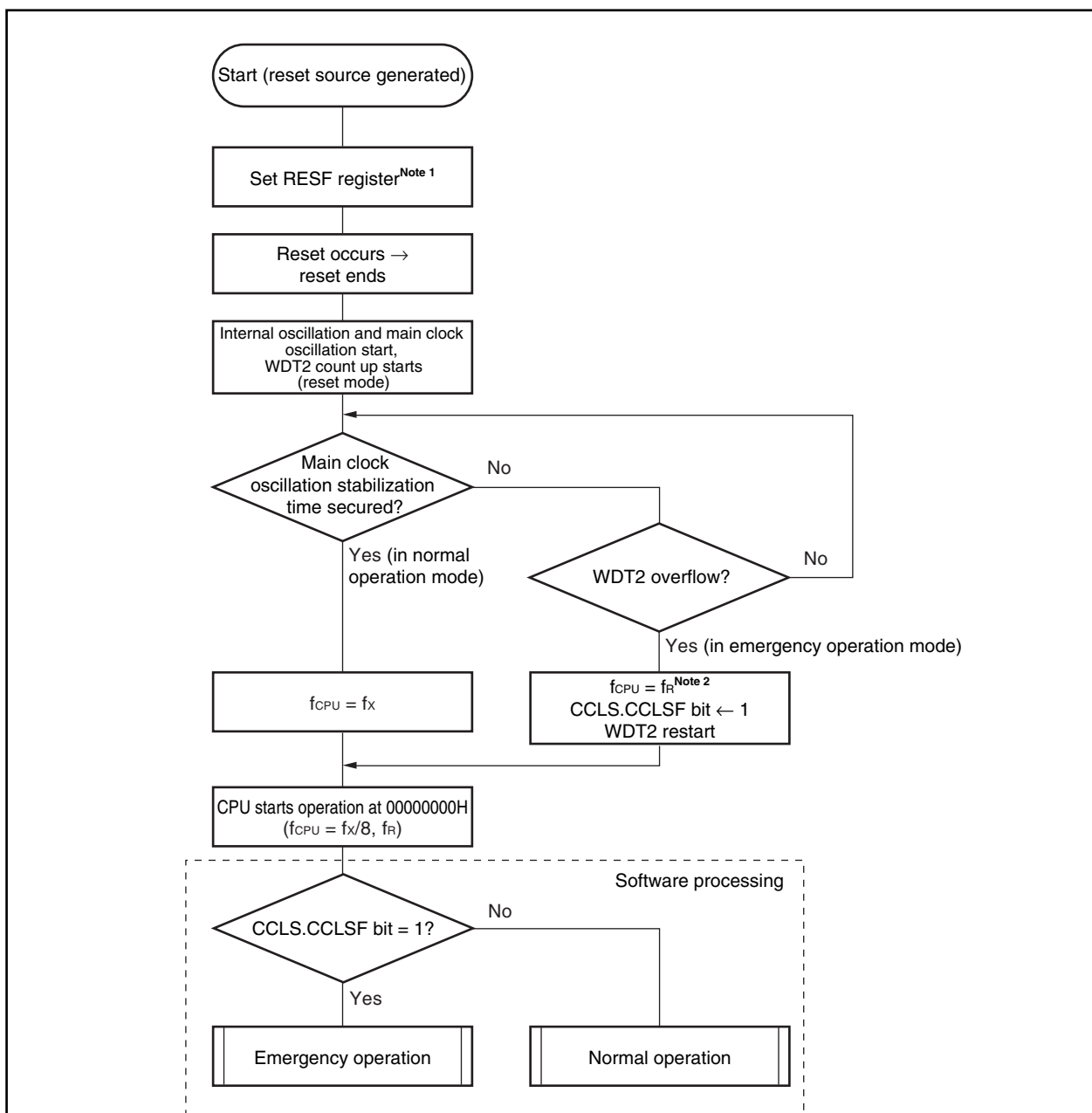
Figure 25-6. Operation Immediately After Reset Ends



The CPU operation clock states can be checked by using the CPU operation clock status register (CCLS).

25.4.5 Reset function operation

Figure 25-7. Reset Function Operation



Notes 1. The bit to be set differs depending on the reset source.

Reset Source	WDT2RF Bit	CRMRF Bit	LVIRF Bit
RESET pin	0	0	0
WDT2	1	Value before reset is retained.	Value before reset is retained.
CLM	Value before reset is retained.	1	Value before reset is retained.
LVI	Value before reset is retained.	Value before reset is retained.	1

2. The internal oscillator cannot be stopped.

25.5 Cautions

When executing a power-on reset operation, the supply voltage must be within the guaranteed operating range immediately after the reset ends. The usable range of the internal operating frequency of the V850ES/JG3-L depends on the supply voltage (2.5 MHz (MAX.) @ 2.0 to 2.2 V or 5 MHz (MAX.) @ 2.2 to 2.7 V or 20 MHz (MAX.) @ 2.7 to 3.6 V).

(1) At less than 2.0 V immediately after reset ends

Use prohibited

(2) At 2.0 V or more to less than 2.2 V immediately after reset ends

- Input $f_x = 2.5$ MHz to the main clock oscillator and set the clock-through mode (PLLCTL.SELPLL = 0).
- Inputting 2.5 MHz or more to the main clock oscillator is prohibited.
- Be sure to stop the PLL (PLLCTL.PLLON = 0) in the initialization routine.

(3) At 2.2 V or more to less than 2.7 V immediately after reset ends

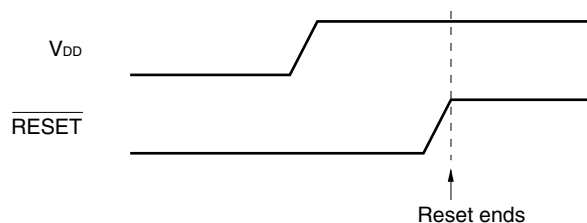
- Input $f_x = 2.5$ to 5 MHz to the main clock oscillator and set the clock-through mode (PLLCTL.SELPLL = 0).
- Inputting 5 MHz or more to the main clock oscillator is prohibited.
- Be sure to stop the PLL (PLLCTL.PLLON = 0) in the initialization routine.

(4) At 2.7 to 3.6 V immediately after reset ends

- Both the clock-through mode and PLL mode can be used.

Remarks 1. The voltage value (V) is the value of V_{DD} .

2. A reset ends at the following timing. For the relationship between the rising of V_{DD} and when the reset signal generated by the $\overline{\text{RESET}}$ pin ends, see **33.7.4 Power on/power off/reset timing**.



CHAPTER 26 CLOCK MONITOR

26.1 Functions

The clock monitor monitors the main clock by using the internal oscillator clock and generates a reset request signal when oscillation of the main clock is stopped.

Once the operation of the clock monitor has been enabled by an operation enable flag, it cannot be cleared to 0 by any means other than a reset.

When a reset by the clock monitor occurs, the RESF.CLMRF bit is set. For details on the RESF register, see **25.3 Register to Check Reset Source**.

The clock monitor automatically stops under the following conditions.

- During oscillation stabilization time after STOP mode is released
- When the main clock is stopped (from when the PCC.MCK bit = 1 during subclock operation, until the PCC.CLS bit = 0 during main clock operation)
- When the monitoring clock (internal oscillator clock) is stopped
- When the CPU operates with the internal oscillator clock

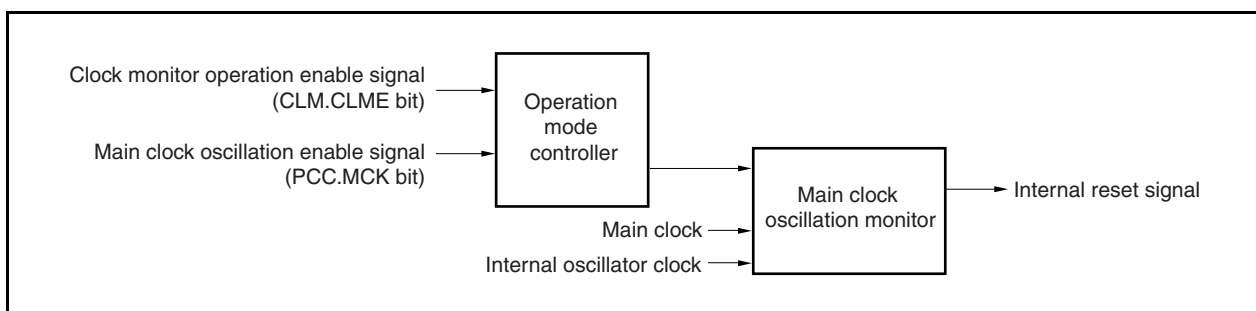
26.2 Configuration

The clock monitor includes the following hardware.

Table 26-1. Configuration of Clock Monitor

Item	Configuration
Control register	Clock monitor mode register (CLM)

Figure 26-1. Block Diagram of Clock Monitor



26.3 Registers

The clock monitor is controlled by the clock monitor mode register (CLM).

(1) Clock monitor mode register (CLM)

The CLM register is a special register that can only be written in a combination of specific sequences (see **3.4.7 Special registers**).

This register is used to set the operation mode of the clock monitor.

This register can be read or written in 8-bit or 1-bit units.

Reset sets this register to 00H.

After reset: 00H		R/W		Address: FFFFF870H					
		7	6	5	4	3	2	1	<0>
CLM		0	0	0	0	0	0	0	CLME
	CLME	Clock monitor operation enable or disable							
	0	Disable clock monitor operation.							
	1	Enable clock monitor operation.							

- Cautions**
1. Once the CLME bit has been set to 1, it cannot be cleared to 0 by any means other than a reset.
 2. When a reset by the clock monitor occurs, the CLME bit is cleared to 0 and the RESF.CLMRF bit is set to 1.

26.4 Operation

This section describes the clock monitor operation. The monitoring start and monitoring stop conditions are as follows.

<Monitoring start condition >

Enabling operation by setting the CLM.CLME bit to 1

<Monitoring stop conditions >

- While oscillation stabilization time is being counted after STOP mode is released
- When the main clock is stopped (from when PCC.MCK bit is set to 1 during subclock operation to when PCC.CLS bit is set to 0 during main clock operation)
- When the sampling clock (internal oscillator clock) is stopped
- When the CPU operates on the internal oscillator clock

Table 26-2. Operation Status of Clock Monitor (When CLM.CLME Bit = 1)

CPU Operating Clock	Operation Mode	Status of Main Clock	Status of Internal Oscillator Clock	Status of Clock Monitor
Main clock	HALT mode	Oscillates	Oscillates ^{Note 1}	Operates
	IDLE1, IDLE2 modes	Oscillates	Oscillates ^{Note 1}	Operates
	STOP mode	Stops	Oscillates ^{Note 1}	Stops
Subclock (MCK bit of PCC register = 0)	Sub-IDLE mode	Oscillates	Oscillates ^{Note 1}	Operates
Subclock (MCK bit of PCC register = 1)	Sub-IDLE mode	Stops	Oscillates ^{Note 1}	Stops
Internal oscillator clock	Emergency operation mode ^{Note 2}	Stops	Oscillates ^{Note 3}	Stops
During reset	–	Stops	Stops	Stops

Notes 1. The internal oscillator can be stopped by setting the RCM.RSTOP bit to 1.

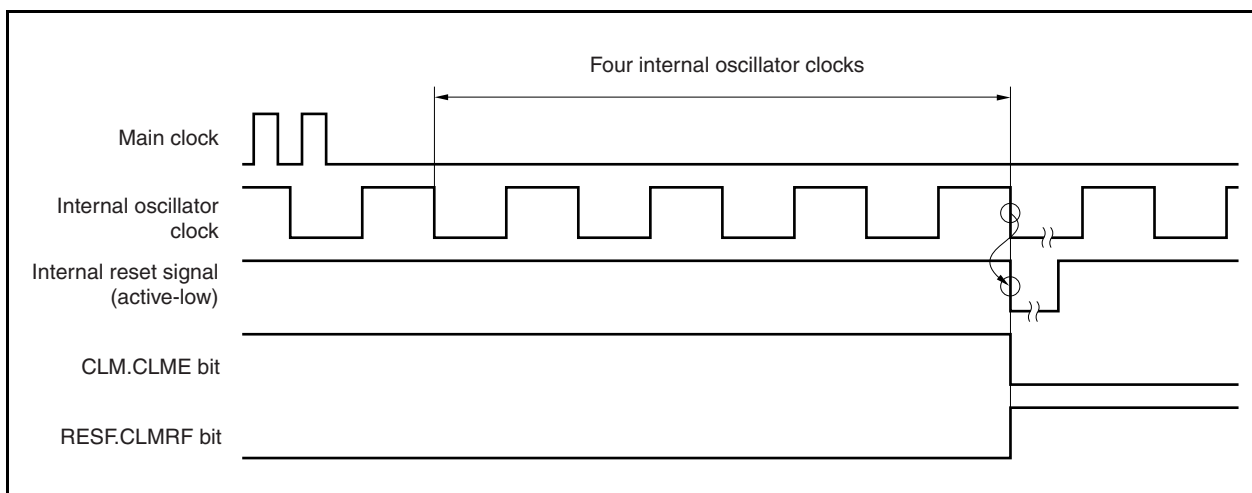
2. See **25.4.4 (2) Emergency operation mode.**

3. The internal oscillator cannot be stopped by software.

(1) Operation when main clock oscillation is stopped (CLME bit = 1)

If oscillation of the main clock is stopped when the CLME bit is 1, an internal reset signal is generated as shown in Figure 26-2.

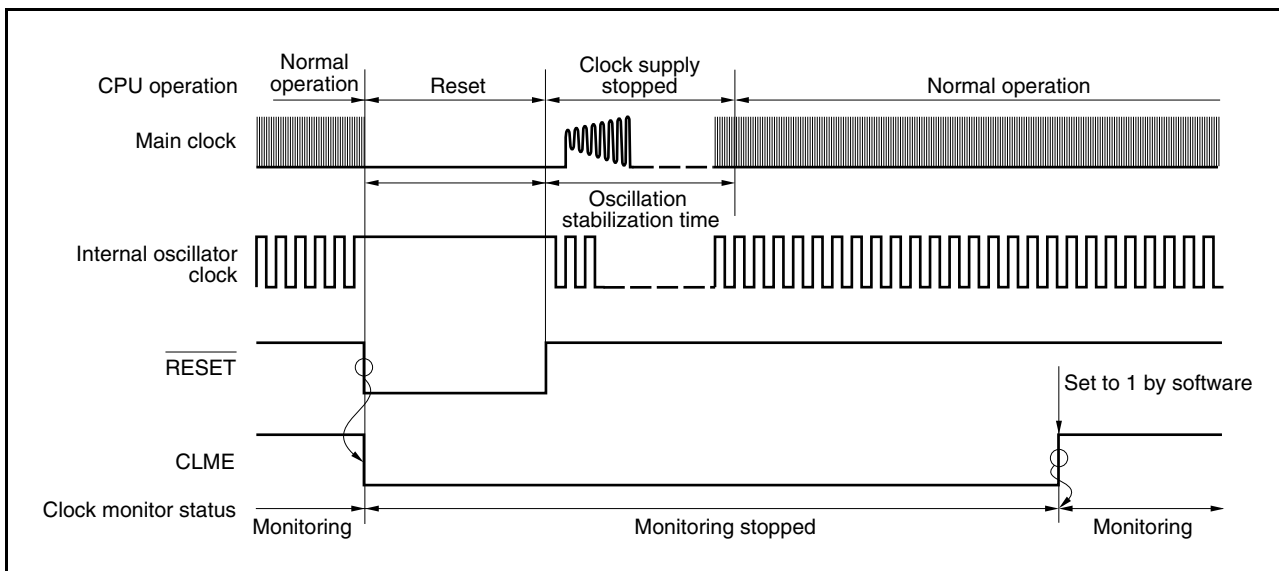
Figure 26-2. Reset Period Due to Stoppage of Main Clock Oscillation



(2) Clock monitor status after $\overline{\text{RESET}}$ input

$\overline{\text{RESET}}$ input clears the CLM.CLME bit to 0 and stops the clock monitor operation. When the CLME bit is set to 1 by software after the normal operation is started, monitoring is started.

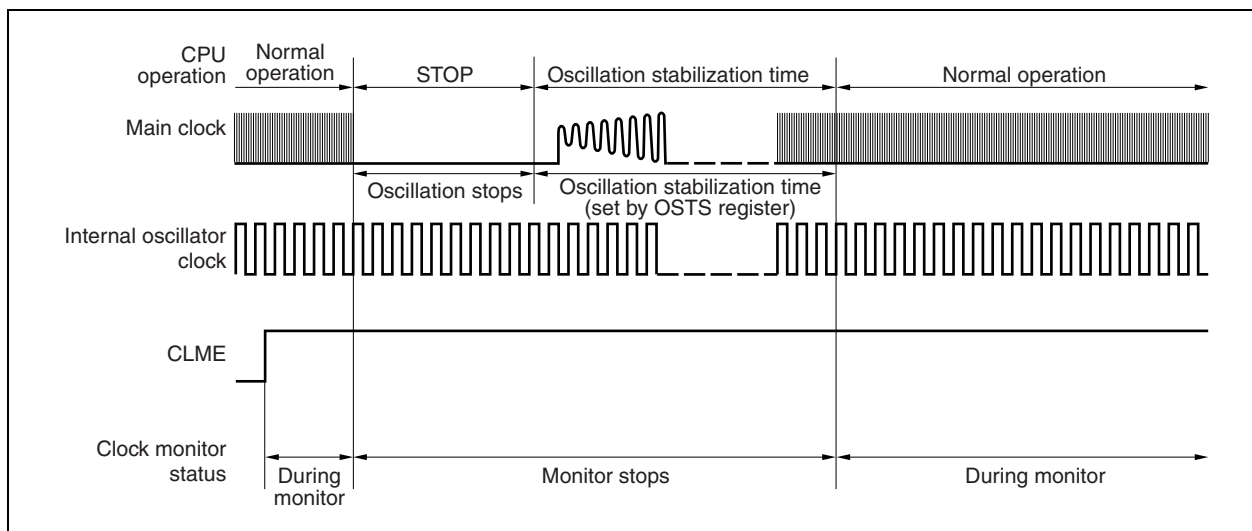
**Figure 26-3. Clock Monitor Status After $\overline{\text{RESET}}$ Input
(CLM.CLME Bit = 1 Is Set After $\overline{\text{RESET}}$ Is Input and Normal Operation Is Started)**



(3) Operation in STOP mode or after STOP mode is released

If the STOP mode is set with the CLM.CLME bit = 1, the monitor operation is stopped in the STOP mode and while the oscillation stabilization time is being counted. After the oscillation stabilization time, the monitor operation is automatically started.

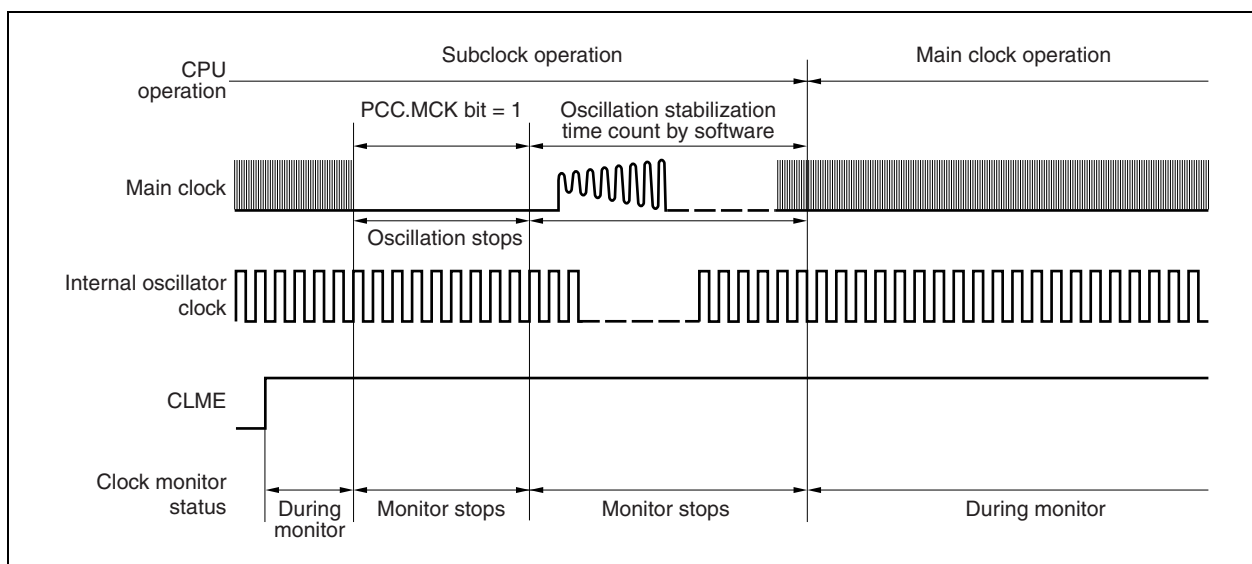
Figure 26-4. Operation in STOP Mode or After STOP Mode Is Released



(4) Operation when main clock is stopped (arbitrary)

During subclock operation (PCC.CLS bit = 1) or when the main clock is stopped by setting the PCC.MCK bit to 1, the monitor operation is stopped until the main clock operation is started (PCC.CLS bit = 0). The monitor operation is automatically started when the main clock operation is started.

Figure 26-5. Operation When Main Clock Is Stopped (Arbitrary)



(5) Operation while CPU is operating on internal oscillator clock (CCLS.CCLS bit = 1)

The monitor operation is not stopped when the CCLS bit is 1, even if the CLME bit is set to 1.

CHAPTER 27 LOW-VOLTAGE DETECTOR (LVI)

27.1 Functions

The low-voltage detector (LVI) has the following functions.

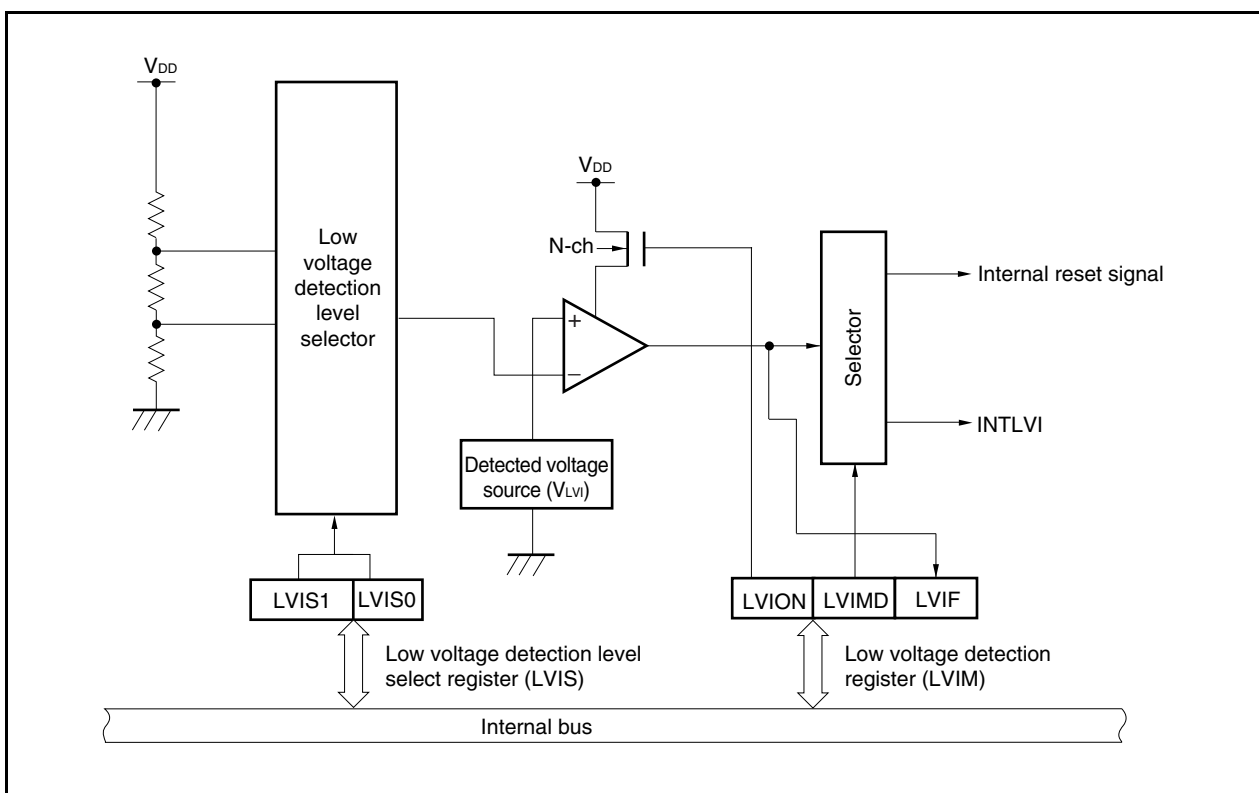
- If interrupt occurrence at low-voltage detection is selected as the operation mode, the low-voltage detector compares the supply voltage (V_{DD}) and the detection voltage (V_{LVI}), and generates an internal interrupt signal when the supply voltage drops below or rises above the detection voltage.
- If reset occurrence at low-voltage detection is selected as the operation mode, the low-voltage detector generates an internal reset signal when the supply voltage (V_{DD}) drops below the detection voltage (V_{LVI}).
- The level of the supply voltage to be detected can be changed by software.
- Interrupt or reset signal can be selected by software.
- The low-voltage detector is operable in the standby mode.

If a reset occurs when the low-voltage detector is selected to generate a reset signal, the RESF.LVIRF bit is set to 1. For details about the RESF register, see **25.3 Register to Check Reset Source**.

27.2 Configuration

The block diagram of the low-voltage detector is shown below.

Figure 27-1. Block Diagram of Low-Voltage Detector



27.3 Registers

The low-voltage detector is controlled by the following registers.

- Low voltage detection register (LVIM)
- Low voltage detection level select register (LVIS)

(1) Low voltage detection register (LVIM)

The LVIM register is a special register. This can be written only in a combination of specific sequences (see **3.4.7 Special registers**).

The LVIM register is used to enable or disable low voltage detection, and to set the operation mode of the low-voltage detector.

This register can be read or written in 8-bit or 1-bit units. However, the LVIF bit is read-only.

After reset: **Note 1** R/W Address: FFFFF890H

	<7>	6	5	4	3	2	<1>	<0>
LVIM	LVION	0	0	0	0	0	LVIMD	LVIF

LVION	Low voltage detection enable or disable
0	Disable operation.
1	Enable operation.

LVIMD	Selection of operation mode of low-voltage detector
0	Generate interrupt request signal INTLVI when supply voltage drops below or rises above detection voltage.
1	Generate internal reset signal LVIREN when supply voltage drops below detection voltage.

LVIF ^{Notes 2, 3, 4}	Low voltage detection flag
0	Supply voltage rises above detection voltage, or operation is disabled.
1	Supply voltage of connected power supply is lower than detection voltage.

Notes 1. Reset by low-voltage detection: 82H

Reset due to other source: 00H

- Do not change the LVION bit from 1 to 0 while the supply voltage (V_{DD}) is lower than the detection voltage (V_{LVI}) (LVIM.LVIF bit = 1).
- After the LVI operation has started (LVION bit = 1), check the LVIF bit.
- When the INTLVI signal is generated, check the LVIF bit to see whether the supply voltage has fallen below or exceeds the detection voltage.

Cautions 1. When the LVION and LVIMD bits are set to 1, the low-voltage detector cannot be stopped until a reset request due to other than low-voltage detection is generated.

- When the LVION bit is set to 1, the comparator in the LVI circuit starts operating. Wait at least 0.2 ms, set by software, before checking the voltage by using the LVIF bit after the LVION bit is set.
- Be sure to set bits 6 to 2 to "0".

(2) Low voltage detection level select register (LVIS)

The LVIS register is used to select the level of voltage to be detected.

This register can be read or written in 8-bit units.

After reset: **Note1** R/W Address: FFFFF891H

	7	6	5	4	3	2	<1>	<0>
LVIS	0	0	0	0	0	0	LVIS1	LVIS0

LVIS1	LVIS0	Low-voltage detection level
0	0	2.80 V (TYP.)
0	1	2.30 V (TYP.)
1	0	2.10 V (TYP.)
1	1	Setting prohibited

Note Reset by low-voltage detection: Retained
Reset due to other source: 00H

Cautions 1. This register cannot be written until a reset request due to something other than low-voltage detection is generated after the LVIM.LVION and LVIM.LVIMD bits are set to 1.

2. Be sure to clear bits 7 to 2 to "0".

27.4 Operation

Depending on the setting of the LVIM.VIMD bit, an interrupt signal (INTLVI) or an internal reset signal is generated. How to specify each operation is described below, together with timing charts.

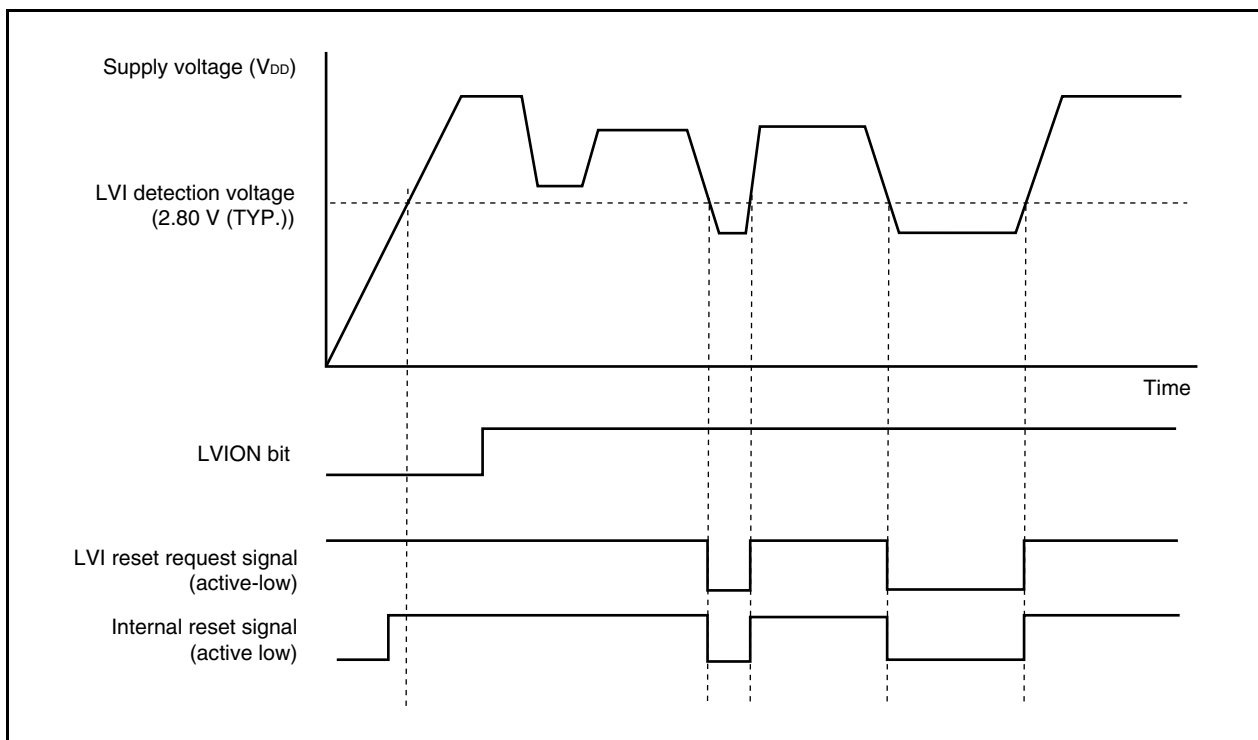
27.4.1 To use for internal reset signal

<To start operation>

- <1> Mask the interrupt of LVI.
- <2> Select the voltage to be detected by using the LVIS.LVIS0 bit.
- <3> Set the LVIM.LVION bit to 1 (to enable operation).
- <4> Insert a wait cycle of 0.2 ms or more by software.
- <5> By using the LVIM.LVIF bit, check if the supply voltage is lower than the detection voltage.
- <6> Set the LVIMD bit to 1 (to generate an internal reset signal).

Caution If the LVIMD bit is set to 1, the contents of the LVIM and LVIS registers cannot be changed until a reset request other than LVI is generated.

Figure 27-2. Timing of Low-Voltage Detector Operation (LVIMD Bit = 1, Low-Voltage Detection Level: 2.80 V)



27.4.2 To use for interrupt

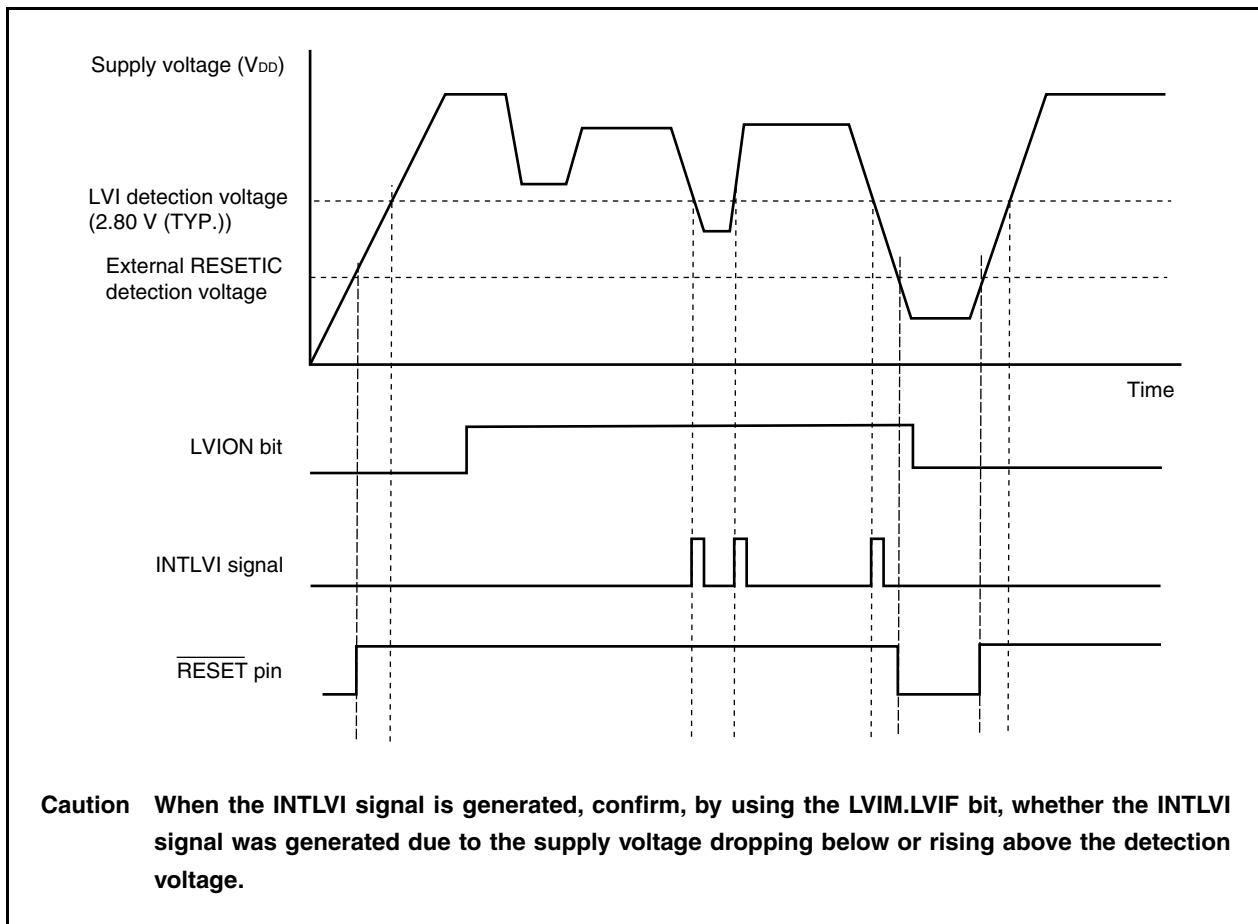
<To start operation>

- <1> Mask the interrupt of LVI.
- <2> Select the voltage to be detected by using the LVIS.LVIS0 bit.
- <3> Set the LVIM.LVION bit to 1 (to enable operation).
- <4> Insert a wait cycle of 0.2 ms (max.) or more by software.
- <5> By using the LVIM.LVIF bit, check if the supply voltage is higher than the detection voltage.
- <6> Clear the interrupt request flag of LVI.
- <7> Unmask the interrupt of LVI.

<To stop operation>

- <1> By using the LVIM.LVIF bit, check if the supply voltage is higher than the detection voltage.
- <2> Clear the LVION bit to 0.

Figure 27-3. Timing of Low-Voltage Detector Operation (LVIMD Bit = 0, Low-Voltage Detection Level: 2.80 V)



CHAPTER 28 CRC FUNCTION

28.1 Functions

- Generation of CRC (Cyclic Redundancy Check) code for detecting errors in communication data
- Generation of CRC code for detecting errors in data blocks
- Generation of 16-bit CRC code using a CRC-CCITT ($X^{16} + X^{12} + X^5 + 1$) generation polynomial for blocks of data of any length in 8-bit units
- CRC code is set to the CRC data register each time 1-byte data is transferred to the CRCIN register, after the initial value is set to the CRCD register.

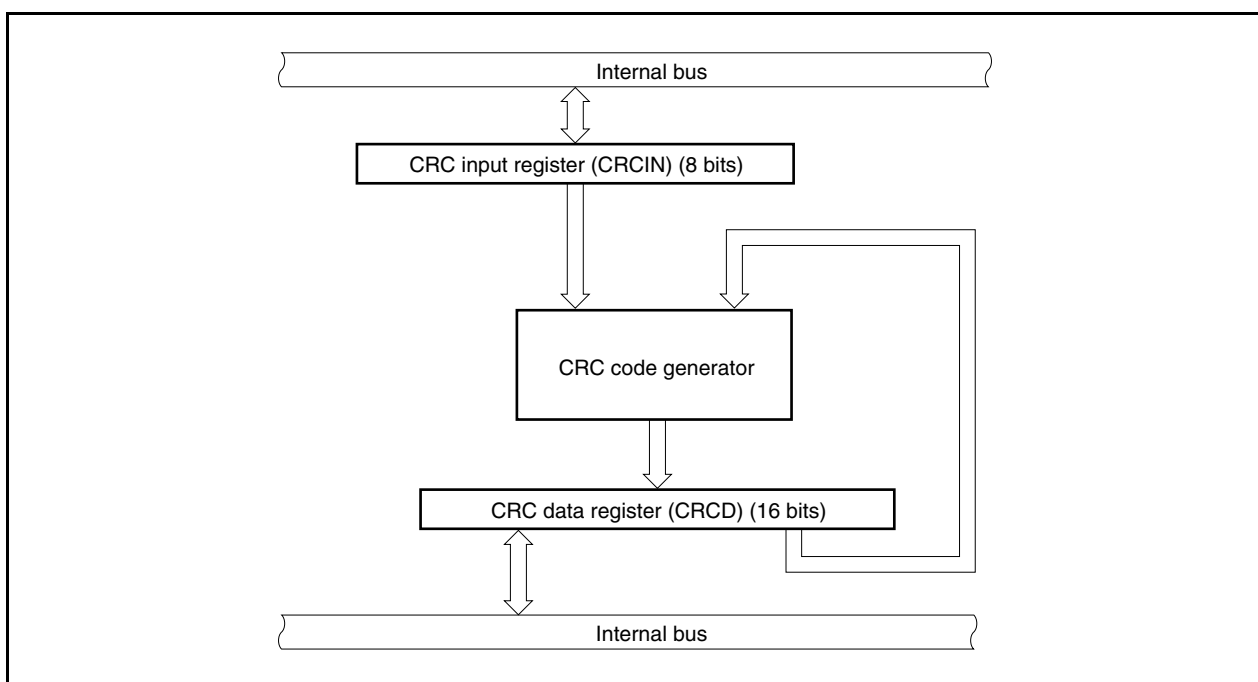
28.2 Configuration

The CRC function includes the following hardware.

Table 28-1. CRC Configuration

Item	Configuration
Control registers	CRC input register (CRCIN) CRC data register (CRCD)

Figure 28-1. Block Diagram of CRC Function



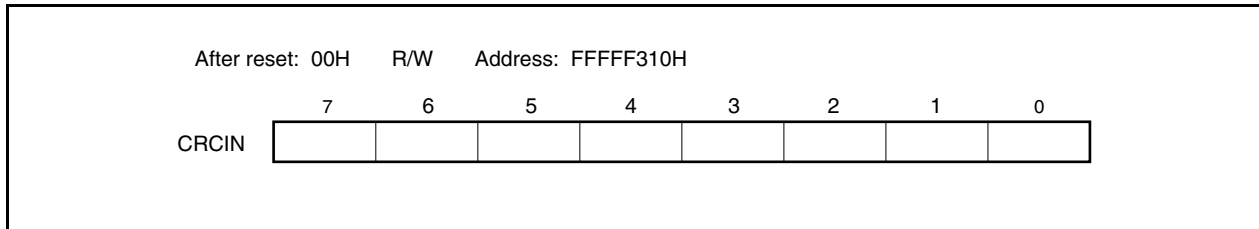
28.3 Registers

(1) CRC input register (CRCIN)

The CRCIN register is an 8-bit register for setting data.

This register can be read or written in 8-bit units.

Reset sets this register to 00H.



(2) CRC data register (CRCD)

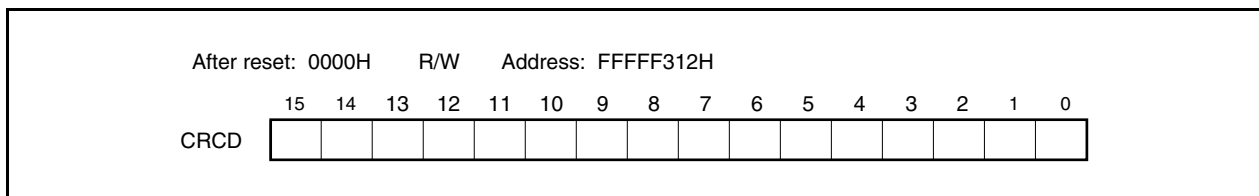
The CRCD register is a 16-bit register that stores the CRC-CCITT operation results.

This register can be read or written in 16-bit units.

Reset sets this register to 0000H.

Caution Accessing the CRCD register is prohibited in the following statuses. If a wait cycle is generated, it can only be cleared by a reset. For details, see 3.4.9 (1) Accessing special on-chip peripheral I/O registers.

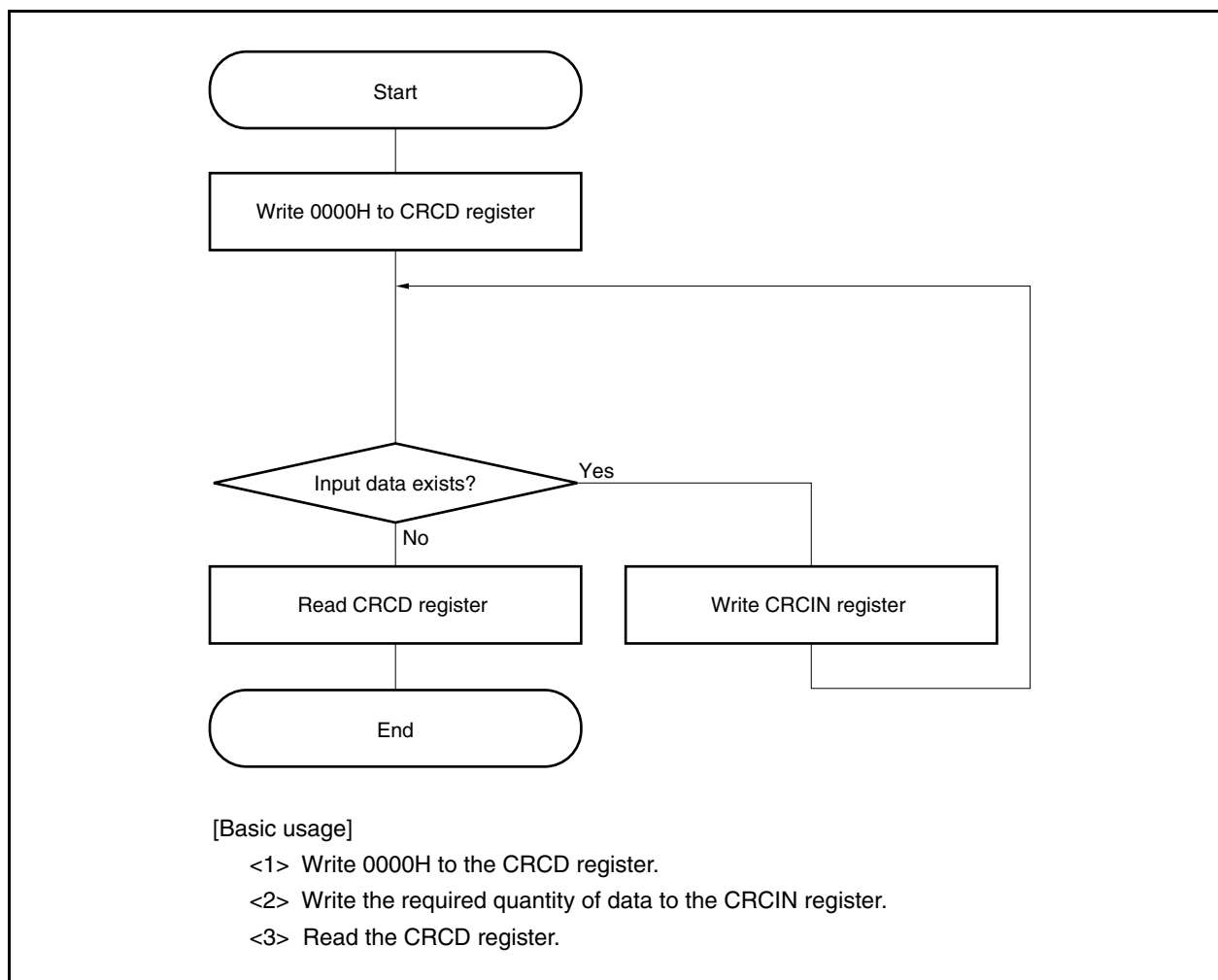
- When the CPU operates on the subclock and main clock oscillation is stopped
- When the CPU operates on the internal oscillator clock



28.5 Usage

How to use the CRC logic circuit is described below.

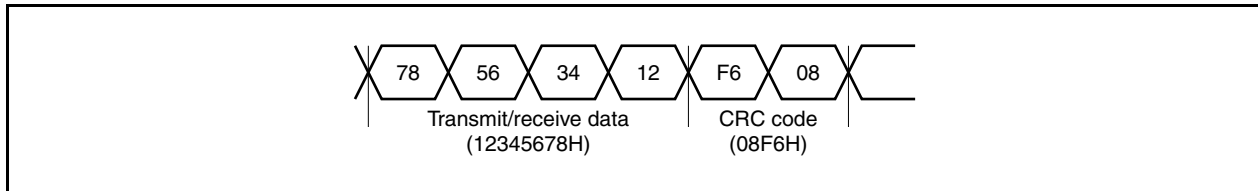
Figure 28-3. CRC Operation



Communication errors can easily be detected if the CRC code is transmitted/received along with transmit/receive data when transmitting/receiving data consisting of several bytes.

The following figure shows an example when all of the data 12345678H (0001 0010 0011 0100 0101 0110 0111 1000B) is transmitted LSB-first.

Figure 28-4. CRC Transmission Example



Processing on transmitting side

- <1> Write the initial value 0000H to the CRCD register.
- <2> Write the 1 byte of data to be transmitted first to the transmit buffer register. (At this time, also write the same data to the CRCIN register.)
- <3> When transmitting several bytes of data, write the same data to the CRCIN register each time transmit data is written to the transmit buffer register.
- <4> After all the data has been transmitted, write the contents of the CRCD register (CRC code) to the transmit buffer register and transmit them. (The data is transmitted LSB-first, starting from the lower bytes, and then the higher bytes.)
- <5> If a resend is requested by the transmitting side, resend the data.

Processing on receiving side

- <1> Write the initial value 0000H to the CRCD register.
- <2> When reception of the first 1 byte of data is complete, write that receive data to the CRCIN register.
- <3> If receiving several bytes of data, write the receive data to the CRCIN register every time reception ends. (In the case of normal reception, when all the receive data has been written to the CRCIN register, the contents of the CRCD register on the receiving side and the contents of the CRCD register on the transmitting side are the same.)
- <4> Next, the CRC code is transmitted from the transmitting side, so write this data to the CRCIN register similarly to receive data.
- <5> When reception of all the data, including the CRC code, has been completed, reception was normal if the contents of the CRCD register are 0000H. If the contents of the CRCD register are other than 0000H, this indicates a communication error, so transmit a resend request to the transmitting side.

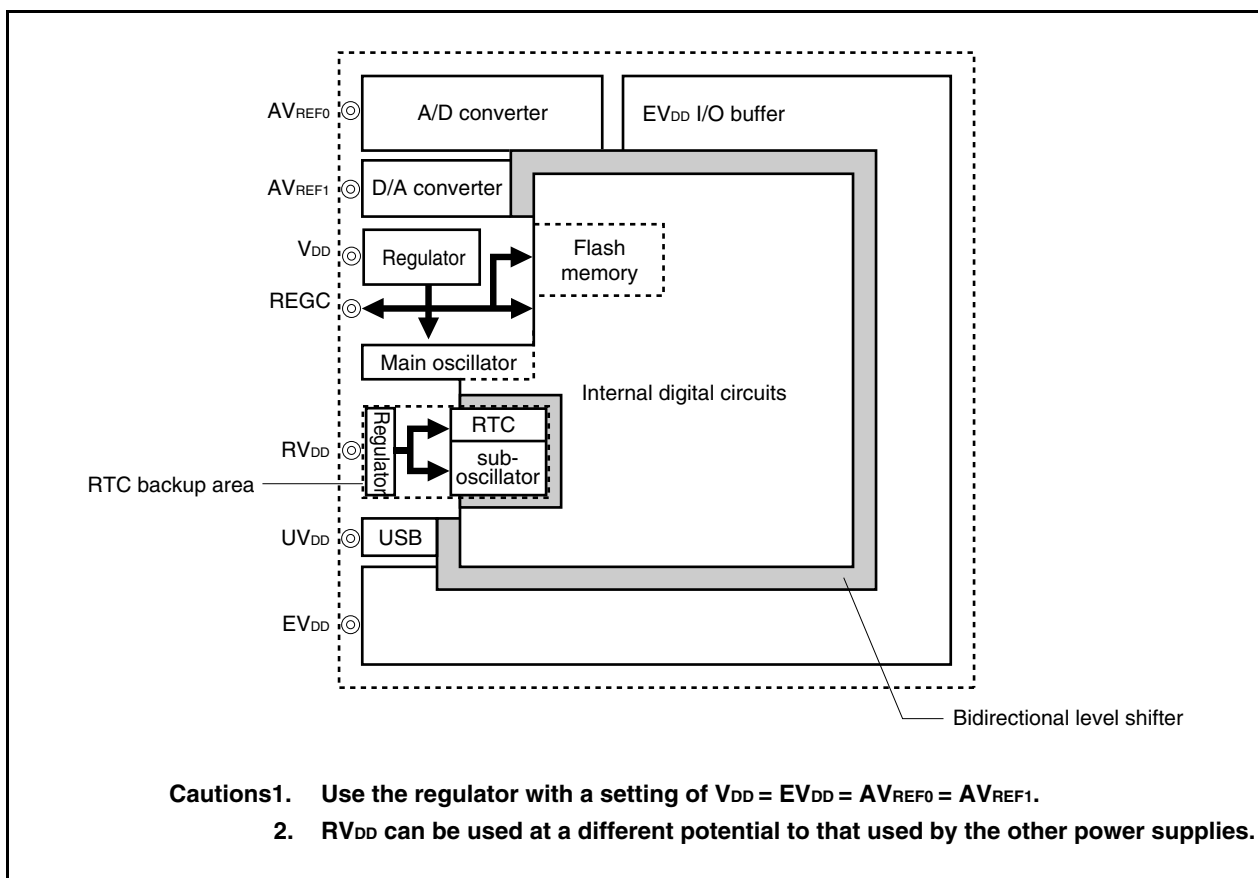
CHAPTER 29 REGULATOR

29.1 Outline

The V850ES/JG3-L includes a regulator to reduce power consumption and noise.

This regulator supplies a stepped-down V_{DD} power supply voltage to the oscillator block and internal logic circuits (except the A/D converter, D/A converter, and output buffers). And these supply a stepped-down RV_{DD} power supply voltage to the RTC and sub-oscillator block.

Figure 29-1. Regulator



29.2 Operation

The regulator connected to V_{DD} always operates in modes other than RTC backup mode (normal operation mode, HALT mode, IDLE1 mode, IDLE2 mode, STOP mode, subclock operation mode, sub-IDLE mode, or during reset).

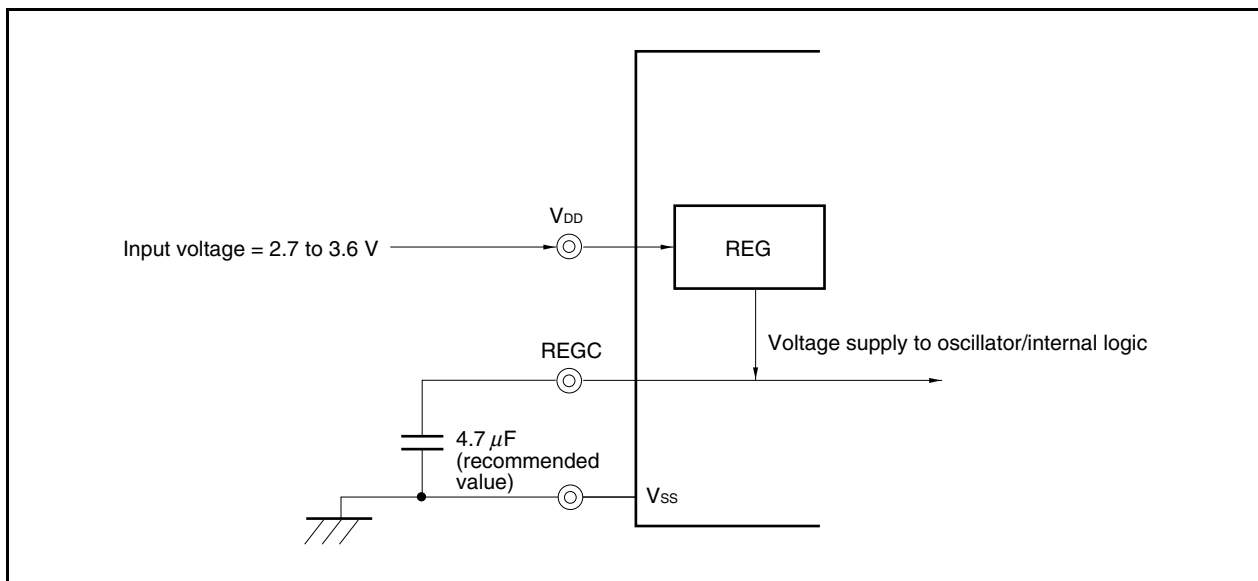
The regulator connected to RV_{DD} always operates in all modes.

The output voltage of the regulator can be lowered in the STOP mode, subclock operation mode, and sub-IDLE mode to reduce the power consumption. For details, see **CHAPTER 24 STANDBY FUNCTION**.

Be sure to connect a capacitor ($4.7 \mu\text{F}$ (recommended value)) to the REGC pin to stabilize the regulator output.

A diagram of the regulator pin connection method is shown below.

Figure 29-2. REGC Pin Connection



CHAPTER 30 OPTION BYTE

The option byte is stored at address 000007AH of the internal flash memory (internal ROM area) as 8-bit data. This 8-bit data is used to specify the mode for watchdog timer 2, specify whether to enable or disable stopping the internal oscillator, and specify the oscillation stabilization time immediately after a reset ends. After a reset ends, the mode for watchdog timer 2, and whether to enable or disable stopping the internal oscillator is specified, and the oscillation stabilization time is secured, in accordance with these set values.

When writing a program to the V850ES/JG3-L, specify the option data at address 000007AH in the program, referring to **30.1 Program Example**.

The data in this area cannot be rewritten during program execution.

Address: 000007AH

7	6	5	4	3	2	1	0
WDTMD1	RMOPIN	0	0	0	RESOSTS2	RESOSTS1	RESOSTS0

WDTMD1	Watchdog timer 2 mode setting
0	Operation clock ($f_x/f_{t1}/f_{t2}$) selectable INTWDT2/WDTRES mode selectable
1	Internal oscillator clock (f_R) fixed WDTRES mode fixed

RMOPIN	Option to enable/disable stopping Internal oscillator by software
0	Can be stopped by software
1	Cannot be stopped by software

RES OSTS2	RES OSTS1	RES OSTS0	Selection of oscillation stabilization time (theoretical value)	f_x		
				2.5 MHz	6 MHz	10 MHz
				0	0	0
0	0	1	$2^{11}/f_x$	819.2 μ s	Setting prohibited	Setting prohibited
0	1	0	$2^{12}/f_x$	1.638 ms	682.7 μ s	409.6 μ s
0	1	1	$2^{13}/f_x$	3.277 ms	1.365 ms	819.2 μ s
1	0	0	$2^{14}/f_x$	6.554 ms	2.731 ms	1.638 ms
1	0	1	$2^{15}/f_x$	13.11 ms	5.461 ms	3.277 ms
1	1	0	$2^{16}/f_x$	26.21 ms	10.92 ms	6.554 ms
1	1	1	$2^{16}/f_x$	26.21 ms	10.92 ms	6.554 ms

- Remarks**
- The wait time after releasing the STOP mode or IDLE2 mode is set by the OSTs register. For details of the OSTs register, see **24.2 (3) Oscillation stabilization time select register (OSTS)**.
 - f_x : Main clock oscillation frequency

- Cautions**
- The actual oscillation stabilization time is longer than the theoretical value because the overhead time after power-on is taken into consideration. The actual oscillation stabilization time is the time shown above, plus up to 260 μ s.
 - Be sure to select an oscillation stabilization time (theoretical value) of 400 μ s or longer. If it is set to less than 400 μ s, the internal status becomes unstable and the operation cannot be guaranteed.
 - Be sure to set bits 5 to 3 to "0".

30.1 Program Example

The following shows program examples when the CA850 is used.

```
#-----  
# OPTION_BYTES  
#-----  
.section "OPTION_BYTES" //Specifies the option byte at address 0000007A.//  
.byte 0b00000001 -- 0x7a //Specifies 0b00000001 as the option byte.//  
.byte 0b00000000 -- 0x7b //Specifies 0b00000000 at address 0000007B.//  
.byte 0b00000000 -- 0x7c //Specifies 0b00000000 at address 0000007C.//  
.byte 0b00000000 -- 0x7d //Specifies 0b00000000 at address 0000007D.//  
.byte 0b00000000 -- 0x7e //Specifies 0b00000000 at address 0000007E.//  
.byte 0b00000000 -- 0x7f //Specifies 0b00000000 at address 0000007F.//
```

Caution Be sure to specify 6 option bytes in this section. If less than 6 bytes are specified, an error occurs when linking is executed.

Error message: F4112: illegal "OPTION_BYTES" section size.

Remark Set 0x00 to addresses 007BH to 007FH.

CHAPTER 31 FLASH MEMORY

The V850ES/JG3-L incorporates flash memory.

- μ PD70F3794: 256 KB of flash memory
- μ PD70F3795: 384 KB of flash memory
- μ PD70F3796: 512 KB of flash memory

Flash memory versions offer the following advantages for development environments and mass production applications.

- For altering software after the V850ES/JG3-L is soldered onto the target system.
- For data adjustment when starting mass production.
- For differentiating software according to the specification in small scale production of various models.
- For facilitating inventory management.
- For updating software after shipment.

31.1 Features

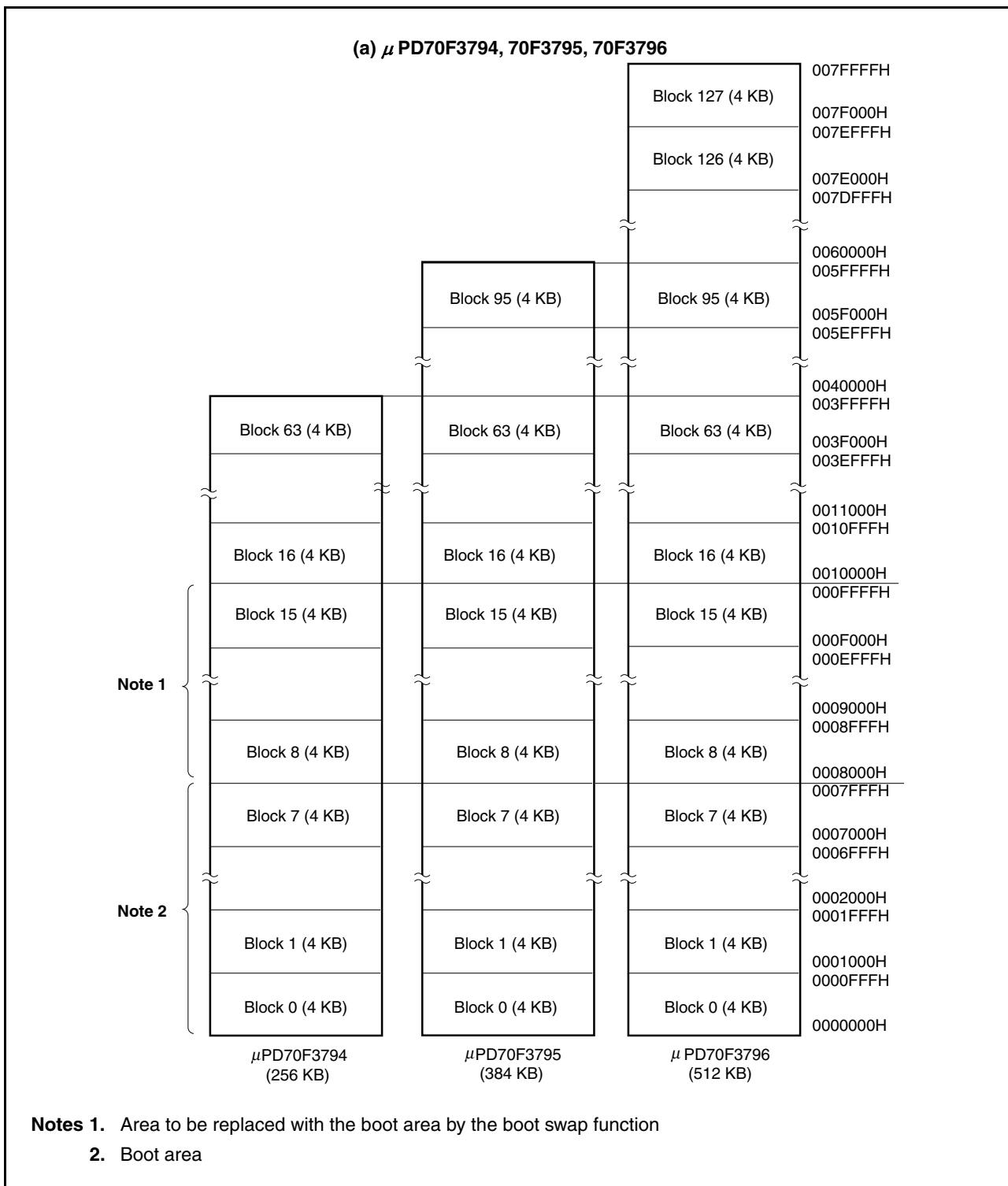
- Capacity: 512 K/384 K/256 KB
- Rewriting method
 - Rewriting by communication with dedicated flash memory programmer via serial interface (on-board/off-board programming)
 - Rewriting flash memory by user program (self programming)
- Flash memory write prohibit function supported (security function)
- Safe rewriting of entire flash memory area by self programming using boot swap function
- Interrupts can be acknowledged during self programming.
- 4-byte/1-clock access (when instruction is fetched)

31.2 Memory Configuration

The V850ES/JG3-L internal flash memory area is divided into 64 or 96 or 128 blocks and can be erased in block units. All the blocks can also be erased at once.

When the boot swap function is used, the physical memory located at the addresses of blocks 0 to 7 is replaced by the physical memory located at the addresses of blocks 8 to 15. For details of the boot swap function, see **31.5 Rewriting by Self Programming**.

Figure 31-1. Flash Memory Mapping



31.3 Functional Outline

The internal flash memory of the V850ES/JG3-L can be rewritten by using the rewrite function of the dedicated flash memory programmer, regardless of whether the V850ES/JG3-L has already been mounted on the target system or not (off-board/on-board programming).

In addition, a security function that prohibits rewriting the user program written to the internal flash memory is also supported, so that the program cannot be changed by an unauthorized person.

The rewrite function using the user program (self programming) is ideal for an application where it is assumed that the program will be changed after production/shipment of the target system. A boot swap function that rewrites the entire flash memory area safely is also supported. In addition, interrupt servicing can be executed during self programming, so that the flash memory can be rewritten under various conditions, such as while communicating with an external device.

Table 31-1. Rewrite Method

Rewrite Method	Functional Outline	Operation Mode
On-board programming	Flash memory can be rewritten after the device is mounted on the target system, by using a dedicated flash memory programmer.	Flash memory programming mode
Off-board programming	Flash memory can be rewritten before the device is mounted on the target system, by using a dedicated flash memory programmer and a dedicated program adapter board (FA series).	
Self programming	Flash memory can be rewritten by executing a user program that has been written to the flash memory in advance by means of off-board/on-board programming. (During self-programming, instructions cannot be fetched from or data access cannot be made to the internal flash memory area. Therefore, the rewrite program must be transferred to the internal RAM or external memory in advance.)	Normal operation mode

Remark The FA series is a product of Naito Densai Machida Mfg. Co., Ltd.

Table 31-2. Basic Functions

Function	Functional Outline	Support (√: Supported, ×: Not supported)	
		On-Board/Off-Board Programming	Self Programming
Blank check	The erasure status of the entire memory is checked.	√	√
Chip erasure	The contents of the entire memory area are erased all at once.	√	× ^{Note}
Block erasure	The contents of specified memory blocks are erased.	√	√
Program	Writing to specified addresses, and a verify check to see if the write level is secured, are performed.	√	√
Verify/checksum	Data read from the flash memory is compared with data transferred from the flash memory programmer.	√	× (Can be read by user program)
Read	Data written to the flash memory is read.	√	×
Security setting	Use of the block erase command, chip erase command, program command, and read command, and boot area rewrite, are prohibited.	√	× (Supported only when setting is changed from enable to disable)

Note This is possible by selecting the entire memory area for the block erase function.

The following table lists the security functions. The chip erase command prohibit, block erase command prohibit, program command prohibit, read command prohibit, and boot block cluster rewrite prohibit functions are enabled by default after shipment, and security settings can be specified only by rewriting via on-board/off-board programming. Each security function can be used in combination with the others at the same time.

Table 31-3. Security Functions

Function	Function Outline
Chip erase command prohibit	Execution of block erase and chip erase commands on all the blocks is prohibited. Once prohibition is set, setting of prohibition cannot be initialized because the chip erase command cannot be executed.
Block erase command prohibit	Execution of a block erase command on all blocks is prohibited. Setting of prohibition can be initialized by execution of a chip erase command.
Program command prohibit	Execution of program and block erase commands on all the blocks are prohibited. Setting of prohibition can be initialized by execution of the chip erase command.
Read command prohibit	Execution of read command on all the blocks is prohibited. Setting of prohibition can be initialized by execution of the chip erase command.
Boot block cluster rewrite prohibit	Boot block clusters from block 0 to the specified last block can be protected. The protected boot block clusters cannot be rewritten (erased and written). Setting of prohibition cannot be initialized by execution of the chip erase command. The following can be specified as the last block: μPD70F3794: block 63 μPD70F3795: block 95 μPD70F3796: block 127

Table 31-4. Security Settings

Function	Erase, Write, Read Operations When Each Security Is Set (√: Executable, ×: Not Executable, -: Not Supported)		Notes on Security Setting	
	On-Board/ Off-Board Programming	Self Programming	On-Board/ Off-Board Programming	Self Programming
Chip erase command prohibit	Chip erase command: × Block erase command: × Program command: √ ^{Note 1} Read command: √	Chip erasure: - Block erasure (FlashBlockErase): √ Write (FlashWordWrite): √ Read (FlashWordRead): √	Setting of prohibition cannot be initialized.	Supported only when setting is changed from enable to prohibit.
Block erase command prohibit	Chip erase command: √ Block erase command: × Program command: √ Read command: √	Chip erasure: - Block erasure (FlashBlockErase): √ Write (FlashWordWrite): √ Read (FlashWordRead): √	Setting of prohibition can be initialized by chip erase command.	
Program command prohibit	Chip erase command: √ Block erase command: × Program command: × Read command: √	Chip erasure: - Block erasure (FlashBlockErase): √ Write (FlashWordWrite): √ Read (FlashWordRead): √	Setting of prohibition can be initialized by chip erase command.	
Read command prohibit	Chip erase command: √ Block erase command: √ Program command: √ Read command: ×	Chip erasure: - Block erasure (FlashBlockErase): √ Write (FlashWordWrite): √ Read (FlashWordRead): √	Setting of prohibition can be initialized by chip erase command.	
Boot area rewrite prohibit	Chip erase command: × Block erase command: × ^{Note 2} Program command: × ^{Note 2} Read command: √	Chip erasure: - Block erasure (FlashBlockErase): × ^{Note 2} Write (FlashWordWrite): × ^{Note 2} Read (FlashWordRead): √	Setting of prohibition cannot be initialized.	

Notes 1. In this case, since the erase command is invalid, data that differs from the data already written in the flash memory cannot be written.

2. This can be executed for other than boot block clusters.

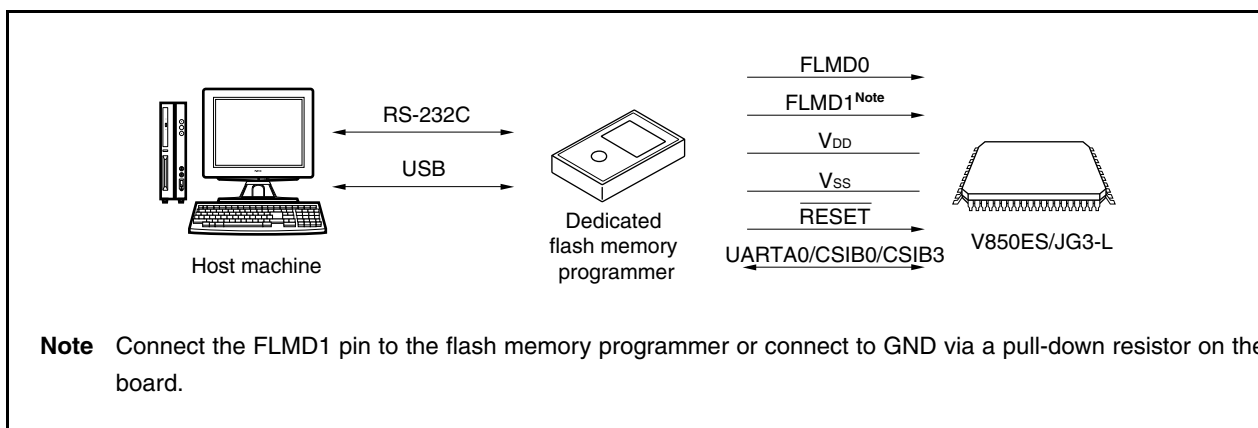
31.4 Rewriting by Dedicated Flash Memory Programmer

The flash memory can be rewritten by using a dedicated flash memory programmer after the V850ES/JG3-L is mounted on the target system (on-board programming). By combining the dedicated flash memory programmer with a dedicated program adapter (FA series), the flash memory can also be rewritten before the device is mounted on the target system (off-board programming).

31.4.1 Programming environment

The following shows the environment required for writing programs to the flash memory of the V850ES/JG3-L.

Figure 31-2. Environment Required for Writing Programs to Flash Memory



A host machine is required for controlling the dedicated flash memory programmer. In some cases, however, it can be used stand-alone. For details, see the user's manual of the dedicated flash memory programmer.

UARTA0, CSIB0, or CSIB3 is used for the interface between the dedicated flash memory programmer and the V850ES/JG3-L to perform writing, erasing, etc. A dedicated program adapter (FA series) is required for off-board writing.

The following products are recommended:

- FA-70F3796GC-UEU-RX (GC-UEU type) (already wired)
- FA-100GC-UEU-B (GC-UEU type) (not wired: wiring required)
- FA-121F1-CAH-B (F1-CAH type) (not wired: wiring required)

Remark The FA series is a product of Naito Densai Machida Mfg. Co., Ltd.

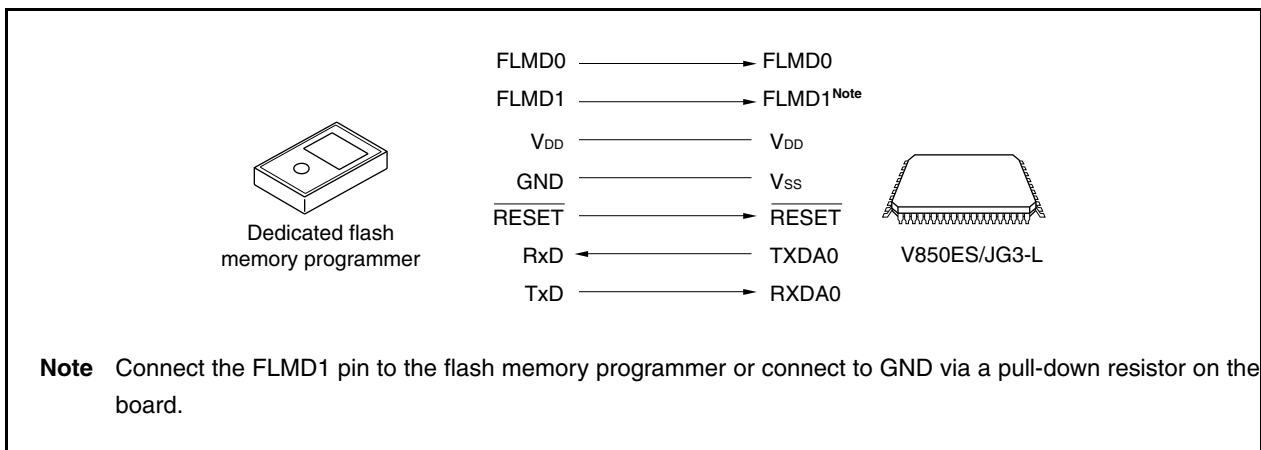
31.4.2 Communication mode

Communication between the dedicated flash memory programmer and the V850ES/JG3-L is performed by serial communication using the UARTA0, CSIB0, or CSIB3 interfaces of the V850ES/JG3-L.

(1) UARTA0

Transfer rate: 9,600 to 153,600 bps

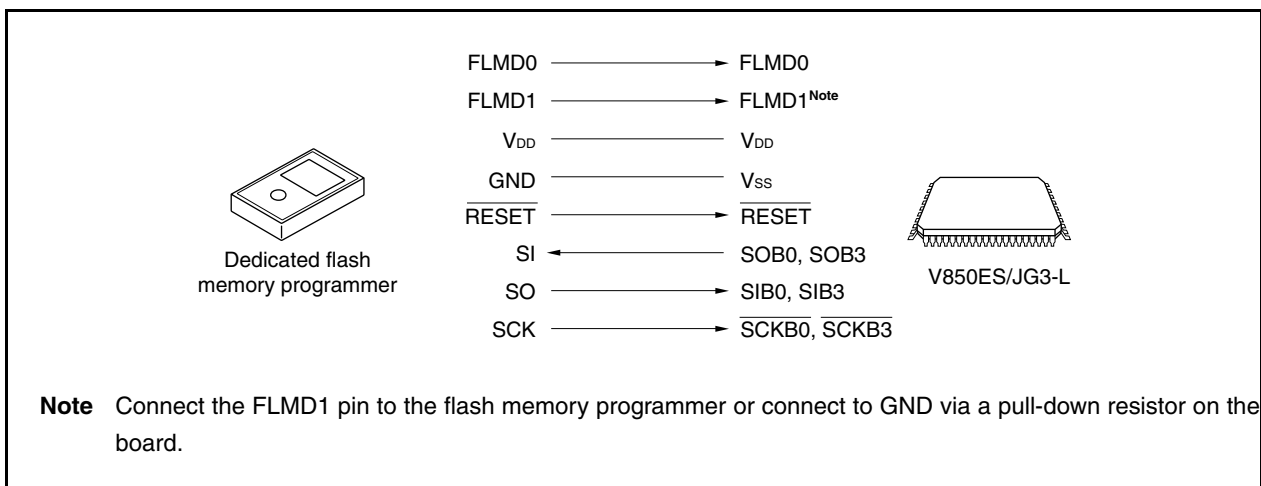
Figure 31-3. Communication with Dedicated Flash Memory Programmer (UARTA0)



(2) CSIB0, CSIB3

Serial clock: 2.4 kHz to 5 MHz (MSB first)

Figure 31-4. Communication with Dedicated Flash Memory Programmer (CSIB0, CSIB3)

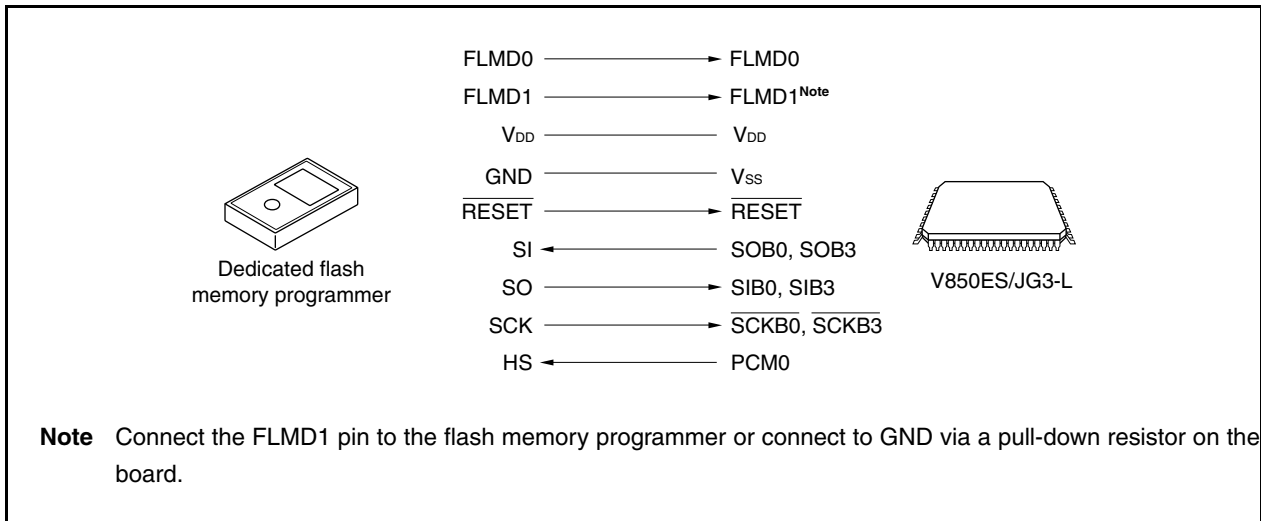


(3) CSIB0 + HS, CSIB3 + HS

Serial clock: 2.4 kHz to 5 MHz (MSB first)

The V850ES/JG3-L operates as a slave.

Figure 31-5. Communication with Dedicated Flash Memory Programmer (CSIB0 + HS, CSIB3 + HS)



31.4.3 Interface

The dedicated flash memory programmer outputs the transfer clock, and the V850ES/JG3-L operates as a slave.

When the PG-FP5 is used as the dedicated flash memory programmer, it generates the following signals for the V850ES/JG3-L. For details, refer to the **PG-FP5 User's Manual (U18865E)**.

Table 31-5. Signal Connections of Dedicated Flash Memory Programmer (PG-FP5)

Signal Name	PG-FP5		V850ES/JG3-L	Processing for Connection		
	I/O	Pin Function		Pin Name	UARTA0	CSIB0, CSIB3
FLMD0	Output	Write enable/disable	FLMD0	○	○	○
FLMD1	Output	Write enable/disable	FLMD1	○ ^{Note 1}	○ ^{Note 1}	○ ^{Note 1}
VDD	–	V _{DD} voltage generation/voltage monitor	V _{DD}	○	○	○
GND	–	Ground	V _{SS}	○	○	○
CLK	Output	Clock output to V850ES/JG3-L	X1, X2	× ^{Note 2}	× ^{Note 2}	× ^{Note 2}
RESET	Output	Reset signal	RESET	○	○	○
SI/RxD	Input	Receive signal	SOB0, SOB3/ TXDA0	○	○	○
SO/TxD	Output	Transmit signal	SIB0, SIB3/ RXDA0	○	○	○
SCK	Output	Transfer clock	SCKB0, SCKB3	×	○	○
HS	Input	Handshake signal for CSIB0 + HS, CSIB3 + HS communication	PCM0	×	×	○

- Notes 1.** For off-board programming, wire these pins as shown in Figures 31-6, or connect them to GND via a pull-down resistor on board. For on-board programming, wire these pins as shown in Figure 31-11.
- 2.** To supply a clock to the V850ES/JG3-L, mount an oscillator on the board, or connect the CLK signal of the PG-FP5 with the X1 signal of the V850ES/JG3-L.

Remark ○: Must be connected.
×: Does not have to be connected.

Table 31-6. Wiring of V850ES/JG3-L Flash Writing Adapters (FA-100GC-UEU-B) (1/2)

Flash Memory Programmer (FG-FP5) Connection Pin			Name of FA Board Pin	CSIB0 + HS Used		CSIB0 Used		UARTA0 Used	
Signal Name	I/O	Pin Function		Pin Name	Pin No.	Pin Name	Pin No.	Pin Name	Pin No.
					GC		GC		GC
SI/RxD	Input	Receive signal	SI	P41/SOB0/ SCL01	23	P41/SOB0/ SCL01	23	P30/TXDA0/ SOB4	25
SO/TxD	Output	Transmit signal	SO	P40/SIB0/ SDA01	22	P40/SIB0/ SDA01	22	P31/RXDA0/ INTP7/SIB4	26
SCK	Output	Transfer clock	SCK	P42/SCKB0	24	P42/SCKB0	24	Not needed	–
CLK	Output	Clock to V850ES/JG3-L	X1	Not needed	–	Not needed	–	Not needed	–
			X2	Not needed	–	Not needed	–	Not needed	–
/RESET	Output	Reset signal	/RESET	RESET	14	RESET	14	RESET	14
FLMD0	Output	Write voltage	FLMD0	FLMD0	8	FLMD0	8	FLMD0	8
FLMD1	Output	Write voltage	FLMD1	PDL5/AD5/ FLMD1	76	PDL5/AD5/ FLMD1	76	PDL5/AD5/ FLMD1	76
HS	Input	Handshake signal for CSI0 + HS communication	RESERVE/ HS	PCM0/WAIT	61	Not needed	–	Not needed	–
VDD	–	VDD voltage generation/voltage monitor	VDD	V _{DD}	9	V _{DD}	9	V _{DD}	9
				EV _{DD}	34, 70	EV _{DD}	34, 70	EV _{DD}	34, 70
				RV _{DD}	17	RV _{DD}	17	RV _{DD}	17
				UV _{DD}	30	UV _{DD}	30	UV _{DD}	30
				AV _{REF0}	1	AV _{REF0}	1	AV _{REF0}	1
				AV _{REF1}	5	AV _{REF1}	5	AV _{REF1}	5
GND	–	Ground	GND	V _{SS}	11	V _{SS}	11	V _{SS}	11
				AV _{SS}	2	AV _{SS}	2	AV _{SS}	2
				EV _{SS}	33, 69	EV _{SS}	33, 69	EV _{SS}	33, 69

Caution Be sure to connect the REGC pin to GND via a 4.7 μ F (recommended value) capacitor.

Remark GC: 100-pin plastic LQFP (fine pitch) (14 × 14)

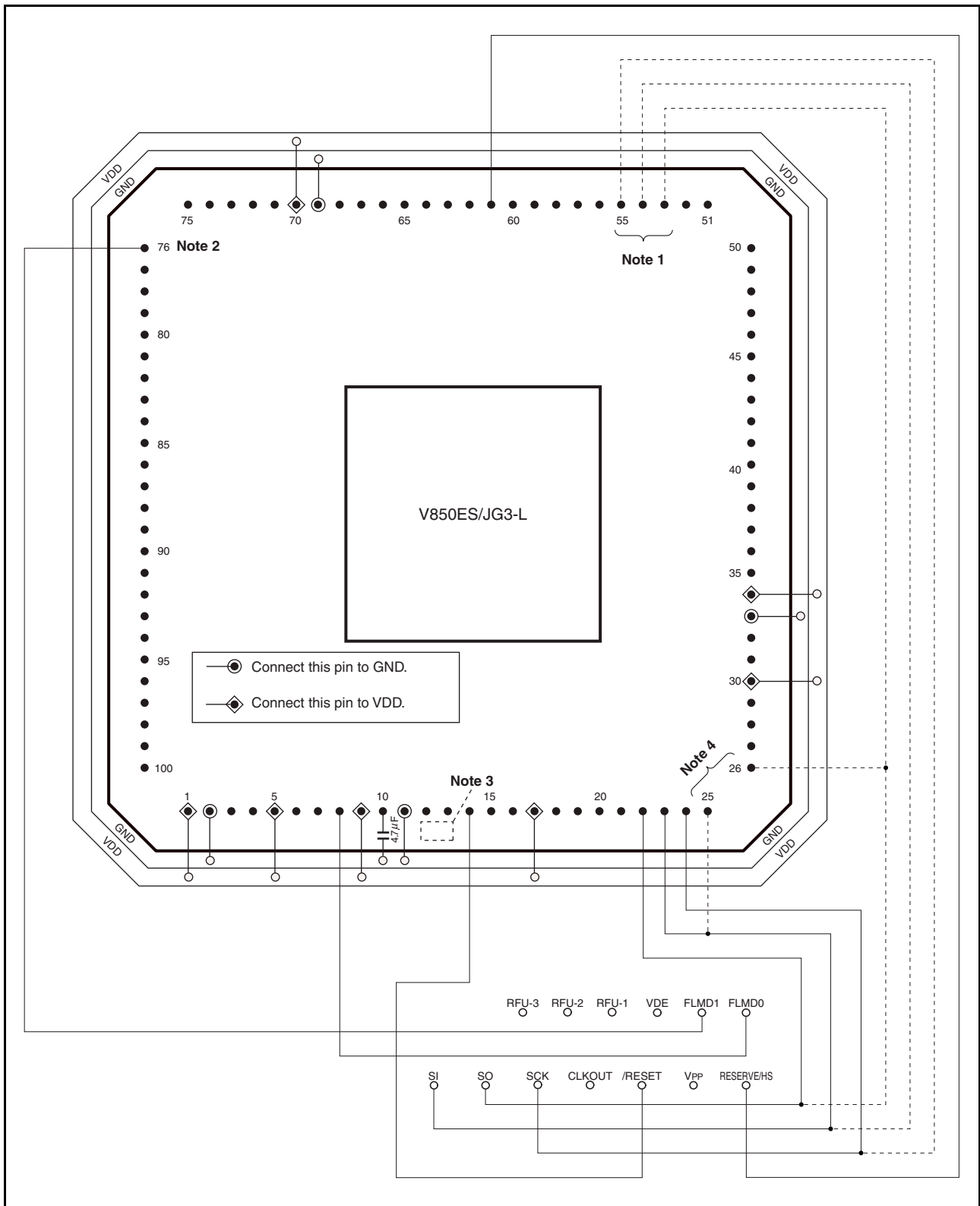
Table 31-6. Wiring of V850ES/JG3-L Flash Writing Adapters (FA-100GC-UEU-B) (2/2)

Flash Memory Programmer (FG-FP5) Connection Pin			Name of FA Board Pin	CSIB3 + HS Used		CSIB3 Used	
Signal Name	I/O	Pin Function		Pin Name	Pin No.	Pin Name	Pin No.
					GC		GC
SI/RxD	Input	Receive signal	SI	P911/SOB3	54	P911/SOB3	54
SO/TxD	Output	Transmit signal	SO	P910/SIB3	53	P910/SIB3	53
SCK	Output	Transfer clock	SCK	P912/ $\overline{\text{SCKB3}}$	55	P912/ $\overline{\text{SCKB3}}$	55
CLK	Output	Clock to V850ES/JG3-L	X1	Not needed	–	Not needed	–
			X2	Not needed	–	Not needed	–
/RESET	Output	Reset signal	/RESET	$\overline{\text{RESET}}$	14	$\overline{\text{RESET}}$	14
FLMD0	Output	Write voltage	FLMD0	FLMD0	8	FLMD0	8
FLMD1	Output	Write voltage	FLMD1	PDL5/AD5/FLMD1	76	PDL5/AD5/FLMD1	76
HS	Input	Handshake signal for CSIO + HS communication	RESERVE/HS	PCM0/ $\overline{\text{WAIT}}$	61	Not needed	–
VDD	–	VDD voltage generation/ voltage monitor	VDD	V _{DD}	9	V _{DD}	9
				EV _{DD}	34, 70	EV _{DD}	34, 70
				RV _{DD}	17	RV _{DD}	17
				UV _{DD}	30	UV _{DD}	30
				AV _{REF0}	1	AV _{REF0}	1
				AV _{REF1}	5	AV _{REF1}	5
GND	–	Ground	GND	V _{SS}	11	V _{SS}	11
				AV _{SS}	2	AV _{SS}	2
				EV _{SS}	33, 69	EV _{SS}	33, 69

Caution Be sure to connect the REGC pin to GND via a 4.7 μF (recommended value) capacitor.

Remark GC: 100-pin plastic LQFP (fine pitch) (14 × 14)

**Figure 31-6. Wiring Example of V850ES/JG3-L Flash Writing Adapter (FA-100GC-UEU-B)
(in CSIB0 + HS Mode) (1/2)**



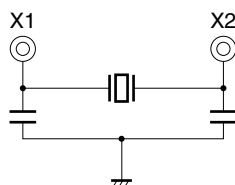
**Figure 31-6. Wiring Example of V850ES/JG3-L Flash Writing Adapter (FA-100GC-UEU-B)
(in CSIB0 + HS Mode) (2/2)**

Notes 1. Corresponding pins when CSIB3 is used.

2. Wire the FLMD1 pin as shown below (recommended), or connect it to GND via a pull-down resistor on board.

3. Create an oscillator on the flash writing adapter (shown in broken lines) and supply a clock. Here is an example of the oscillator.

Example:



4. Corresponding pins when UARTA0 is used.

Caution Do not input a high level to the $\overline{\text{DRST}}$ pin.

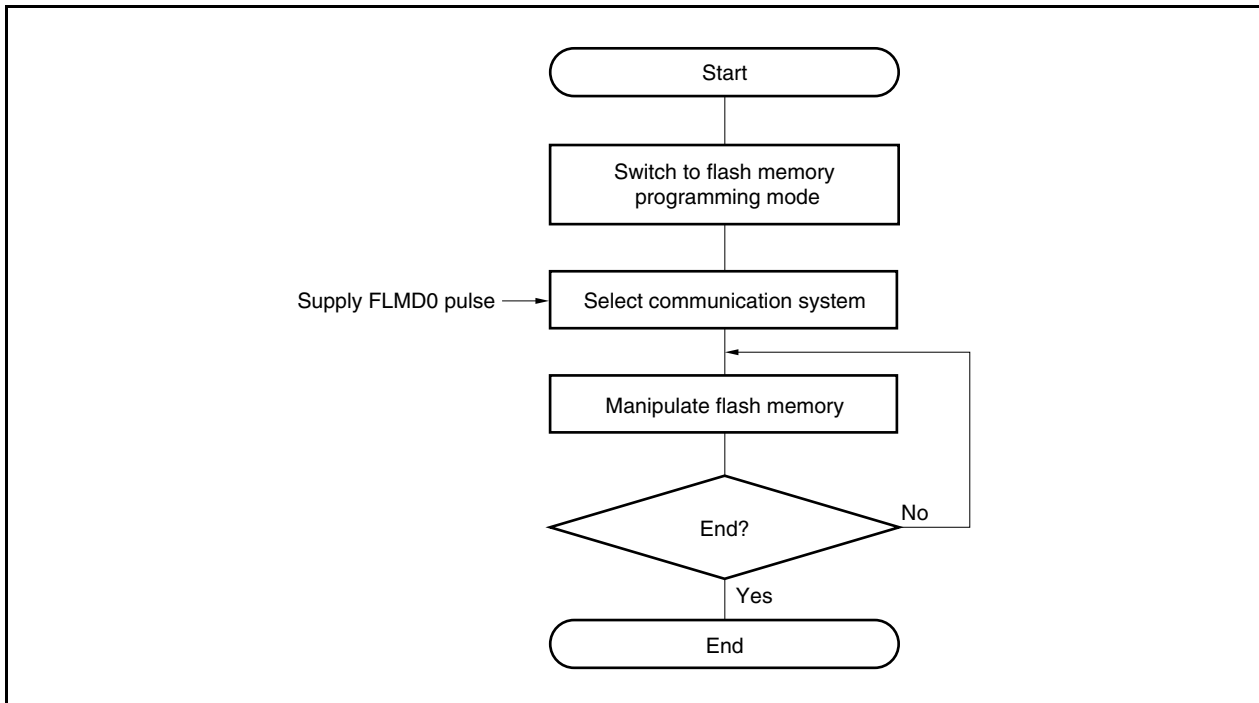
Remarks 1. The pins that are not used in flash memory programming remain in the same status as that immediately after a reset ends. Handle the pins not shown in accordance with the handling of unused pins (see 2.3 Pin I/O Circuit Types, I/O Buffer Power Supplies, and Connection of Unused Pins).

2. This adapter is for a 100-pin plastic LQFP package.

31.4.4 Flash memory control

The following shows the procedure for manipulating the flash memory.

Figure 31-7. Procedure for Manipulating Flash Memory

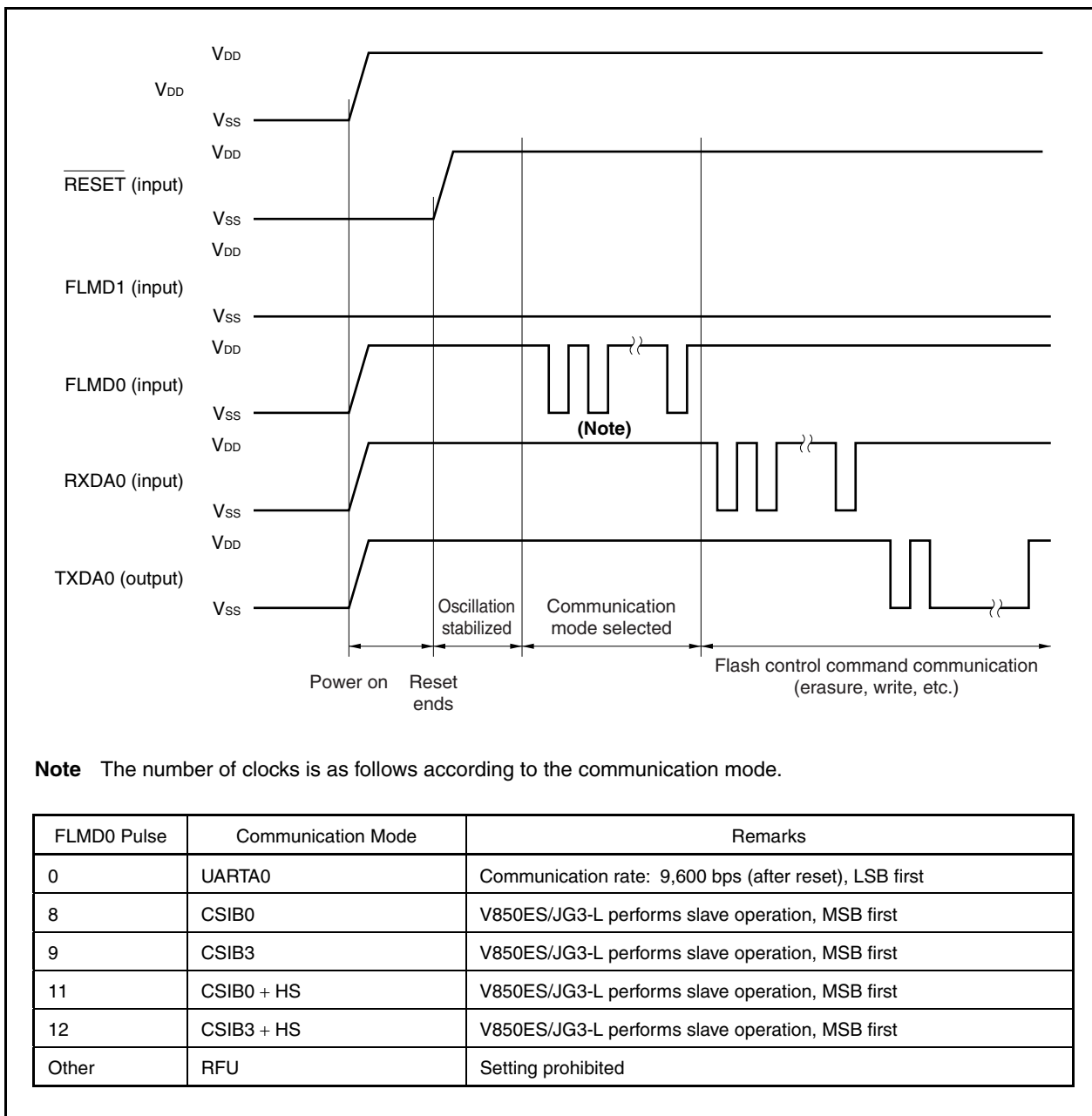


31.4.5 Selection of communication mode

In the V850ES/JG3-L, the communication mode is selected by inputting pulses (12 pulses max.) to the FLMD0 pin after switching to the flash memory programming mode. The FLMD0 pulse is generated by the dedicated flash memory programmer.

The following shows the relationship between the number of pulses and the communication mode.

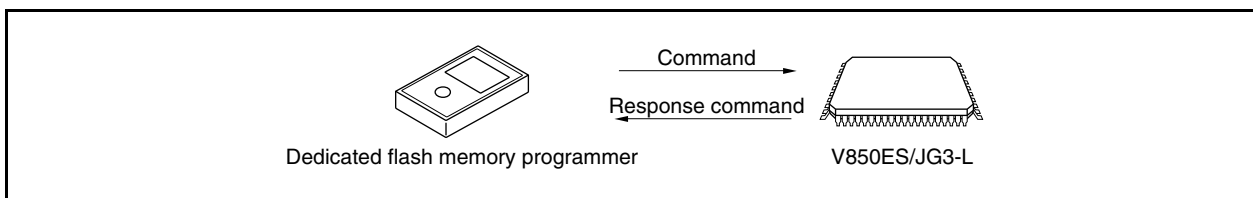
Figure 31-8. Selection of Communication Mode



31.4.6 Communication commands

The V850ES/JG3-L communicates with the dedicated flash memory programmer by means of commands. The signals sent from the dedicated flash memory programmer to the V850ES/JG3-L are called “commands”. The response signals sent from the V850ES/JG3-L to the dedicated flash memory programmer are called “response commands”.

Figure 31-9. Communication Commands



The following shows the commands for flash memory control in the V850ES/JG3-L. All of these commands are issued from the dedicated flash memory programmer, and the V850ES/JG3-L performs the processing corresponding to the commands.

Table 31-7. Flash Memory Control Commands

Classification	Command Name	Support			Function
		CSIB0, CSIB3	CSIB0 + HS, CSIB3 + HS	UARTA0	
Blank check	Block blank check command	√	√	√	Checks if the contents of the memory in the specified block have been correctly erased.
Erase	Chip erase command	√	√	√	Erases the contents of the entire memory.
	Block erase command	√	√	√	Erases the contents of the memory of the specified block.
Write	Program command	√	√	√	Writes the specified address range, and executes a contents verify check.
Verify	Verify command	√	√	√	Compares the contents of memory in the specified address range with data transferred from the flash memory programmer.
	Checksum command	√	√	√	Reads the checksum in the specified address range.
Read	Read command	√	√	√	Reads the data written to flash memory.
System setting, control	Silicon signature command	√	√	√	Reads silicon signature information.
	Security setting command	√	√	√	Prohibits the chip erase command, block erase command, program command, read command, and boot area rewrite.

31.4.7 Pin connection in on-board programming

When performing on-board writing, mount a connector on the target system to connect to the dedicated flash memory programmer.

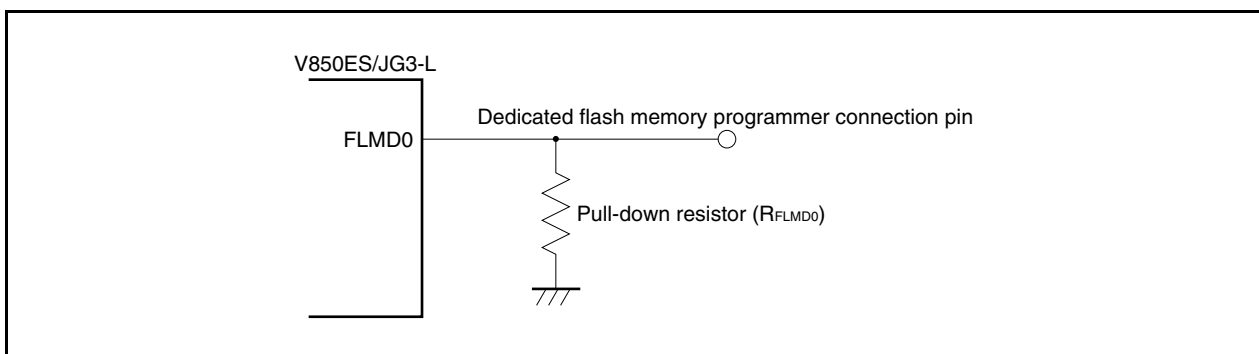
In the flash memory programming mode, all the pins not used for flash memory programming become the same status as that immediately after reset. Therefore, pin handling is required when the external device does not acknowledge the status immediately after a reset.

(1) FLMD0 pin

In the normal operation mode, input a voltage of V_{SS} level to the FLMD0 pin. In the flash memory programming mode, supply a write voltage of V_{DD} level to the FLMD0 pin.

Because the FLMD0 pin serves as a write protection pin in the self programming mode, a voltage of V_{DD} level must be supplied to the FLMD0 pin via port control, etc., before writing to the flash memory. For details, see **31.5.5 (1) FLMD0 pin**.

Figure 31-10. FLMD0 Pin Connection Example



(2) FLMD1 pin

When 0 V is input to the FLMD0 pin, the FLMD1 pin does not function. When V_{DD} is supplied to the FLMD0 pin, the flash memory programming mode is entered, so 0 V must be input to the FLMD1 pin. The following shows an example of the connection of the FLMD1 pin.

Figure 31-11. FLMD1 Pin Connection Example

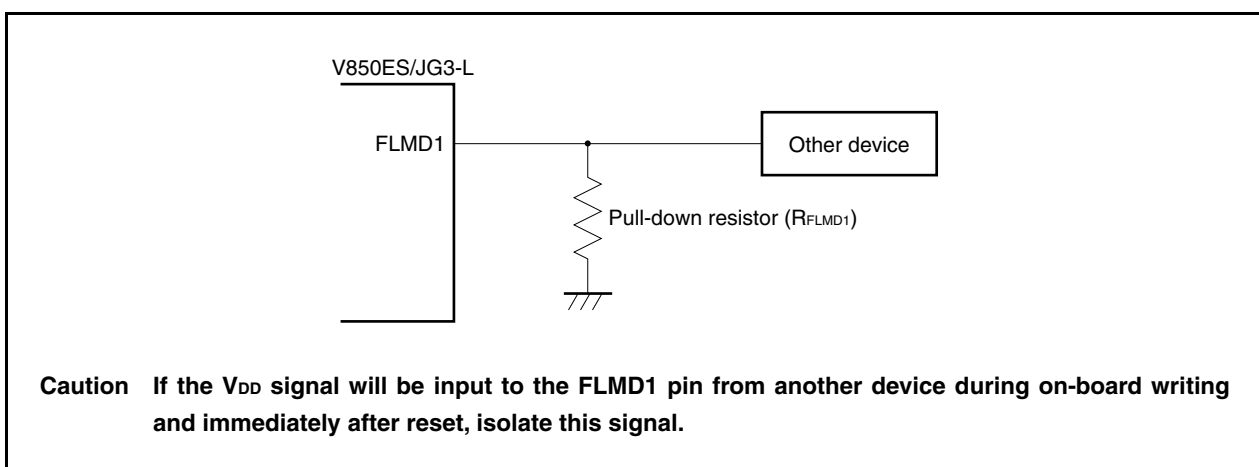


Table 31-8. Relationship Between FLMD0 and FLMD1 Pins and Operation Mode Immediately After Reset Ends

FLMD0	FLMD1	Operation Mode
0	Don't care	Normal operation mode
V _{DD}	0	Flash memory programming mode
V _{DD}	V _{DD}	Setting prohibited

(3) Serial interface pin

The following shows the pins used by each serial interface.

Table 31-9. Pins Used by Serial Interfaces

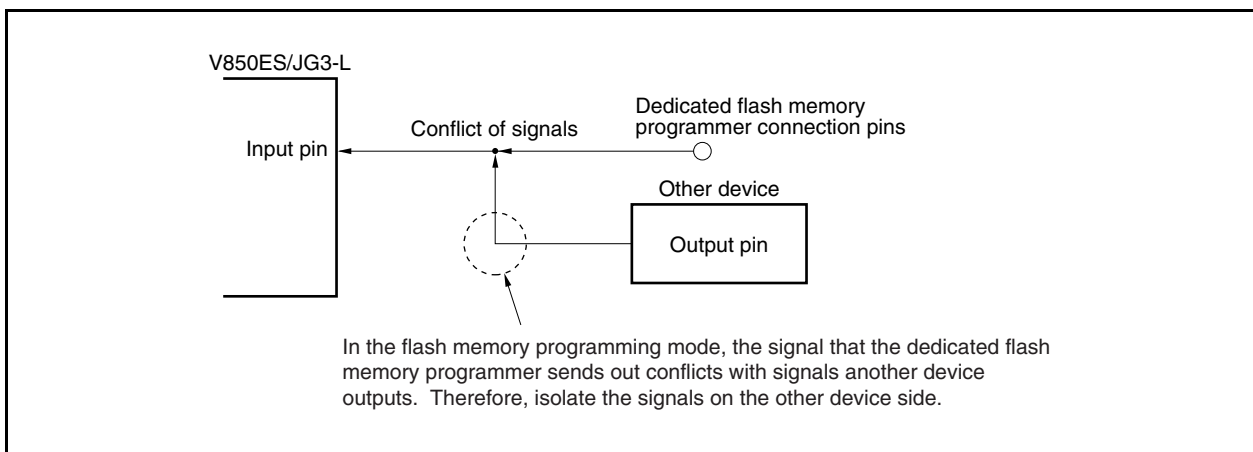
Serial Interface	Pins Used
UARTA0	TXDA0, RXDA0
CSIB0	SOB0, SIB0, $\overline{\text{SCKB0}}$
CSIB3	SOB3, SIB3, $\overline{\text{SCKB3}}$
CSIB0 + HS	SOB0, SIB0, $\overline{\text{SCKB0}}$, PCM0
CSIB3 + HS	SOB3, SIB3, $\overline{\text{SCKB3}}$, PCM0

When connecting a dedicated flash memory programmer to a serial interface pin that is connected to another device on-board, care should be taken to avoid conflict of signals and malfunction of the other device.

(a) Conflict of signals

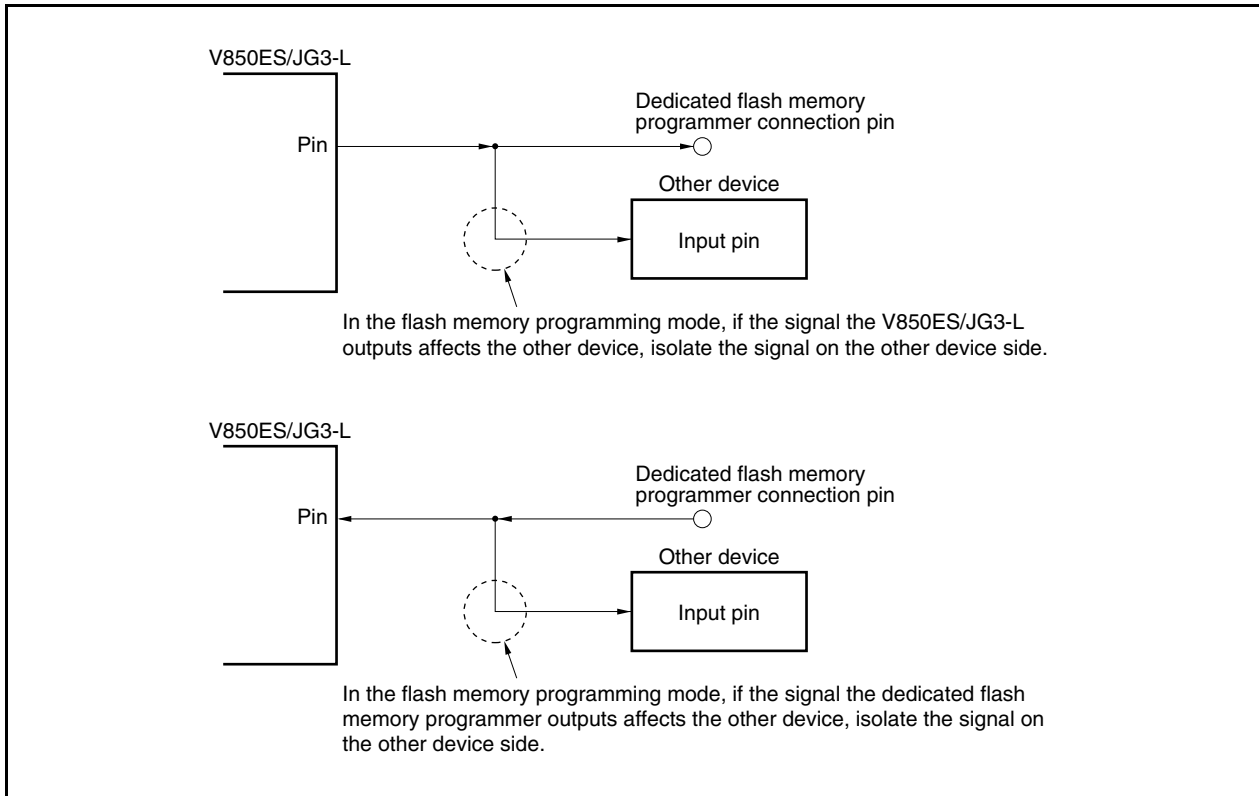
When the dedicated flash memory programmer (output) is connected to a serial interface pin (input) that is connected to another device (output), a conflict of signals occurs. To avoid the conflict of signals, isolate the connection to the other device or set the other device to the output high-impedance status.

Figure 31-12. Conflict of Signals (Serial Interface Input Pin)



(b) Malfunction of other device

When the dedicated flash memory programmer (output or input) is connected to a serial interface pin (input or output) that is connected to another device (input), the signal is output to the other device, causing the device to malfunction. To avoid this, isolate the connection to the other device.

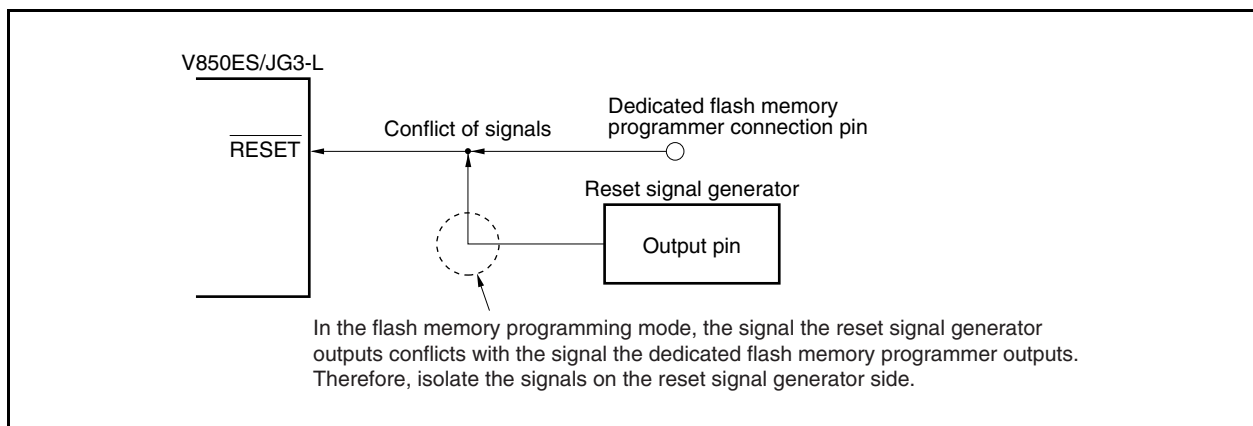
Figure 31-13. Malfunction of Other Device

(4) $\overline{\text{RESET}}$ pin

When the reset signals of the dedicated flash memory programmer are connected to the $\overline{\text{RESET}}$ pin that is connected to the reset signal generator on-board, a conflict of signals occurs. To avoid the conflict of signals, isolate the connection to the reset signal generator.

When a reset signal is input from the user system in the flash memory programming mode, the programming operation will not be performed correctly. Therefore, do not input signals other than the reset signals from the dedicated flash memory programmer.

Figure 31-14. Conflict of Signals ($\overline{\text{RESET}}$ Pin)

**(5) Port pins (including NMI)**

When the system shifts to the flash memory programming mode, all the pins that are not used for flash memory programming are in the same status as that immediately after reset. If the external device connected to each port does not recognize the status of the port immediately after reset, pins require appropriate processing, such as connecting to V_{DD} via a resistor or connecting to V_{SS} via a resistor.

(6) Other signal pins

Connect X1, X2, XT1, XT2, and REGC in the same status as that in the normal operation mode.

During flash memory programming, input a low level to the $\overline{\text{DRST}}$ pin or leave it open. Do not input a high level.

(7) Power supply

Supply the same power (V_{DD} , V_{SS} , EV_{DD} , EV_{SS} , AV_{REF0} , AV_{REF1} , AV_{SS} , RV_{DD} , UV_{DD}) as in normal operation mode.

Remark For details about pin connection, see the **PG-FP5 User's Manual (U18865E)**.

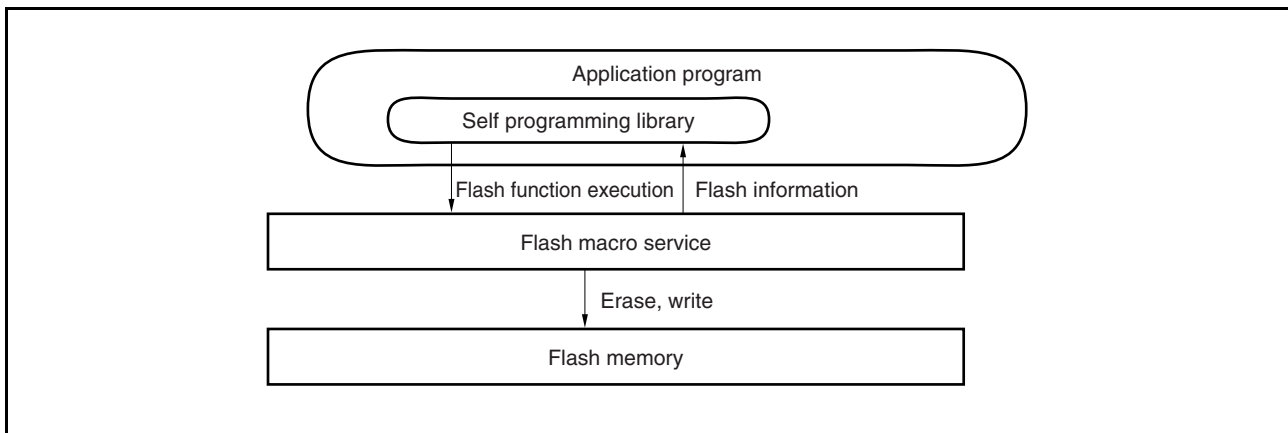
31.5 Rewriting by Self Programming

31.5.1 Overview

The V850ES/JG3-L supports a flash macro service that allows the user program to rewrite the internal flash memory by itself. By using this interface and a self programming library that is used to rewrite the flash memory with a user application program, the flash memory can be rewritten by a user application transferred in advance to the internal RAM or external memory. Consequently, the user program can be upgraded and constant data^{Note} can be rewritten in the field.

Note Be sure not to allocate the program code to the block where the constant data of the rewriting target is allocated. See **31.2 Memory Configuration** for the block configuration.

Figure 31-15. Concept of Self Programming

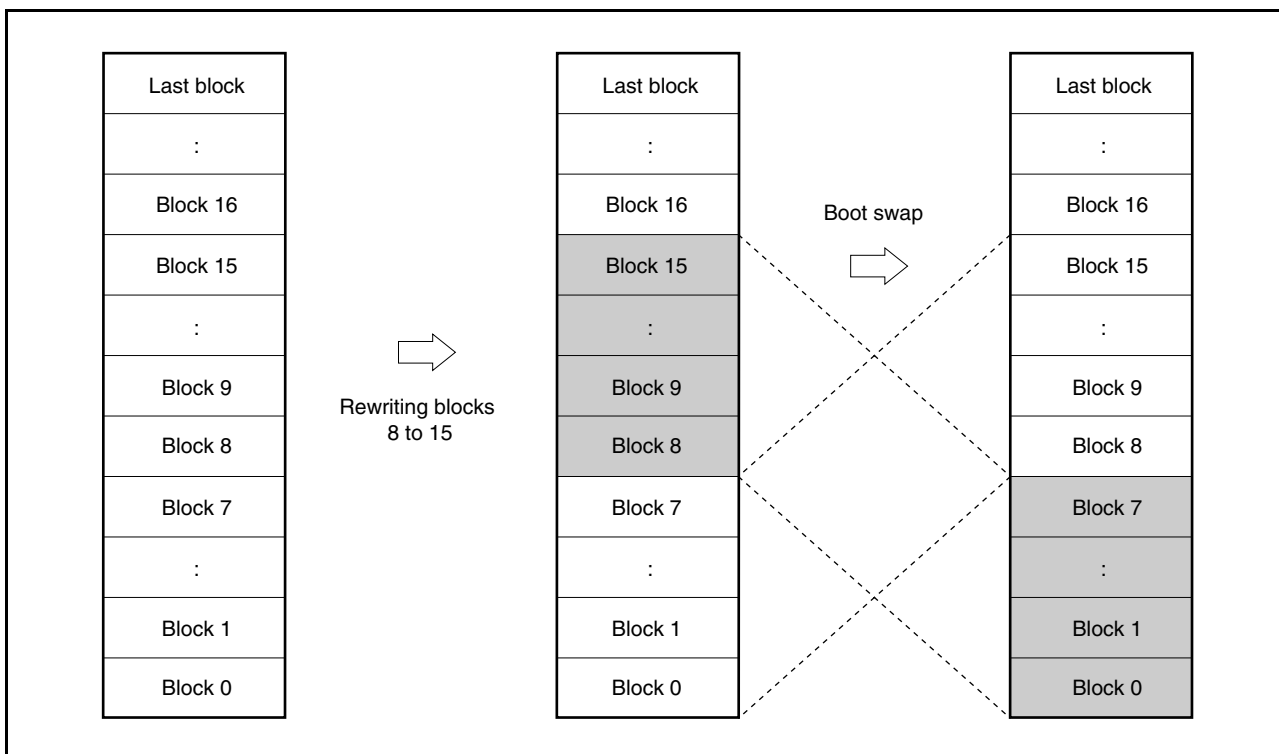


31.5.2 Features

(1) Secure self programming (boot swap function)

The V850ES/JG3-L supports a boot swap function that can be used to exchange the physical memory of blocks 0 to 7 with the physical memory of blocks 8 to 15. By writing the start program to be rewritten to blocks 8 to 15 in advance and then swapping the physical memory, the entire area can be safely rewritten even if a power failure occurs during rewriting because the correct user program always exists in blocks 0 to 7.

Figure 31-16. Rewriting Entire Memory Area (Boot Swap)



(2) Interrupt support

Instructions cannot be fetched from the flash memory during self-programming. Consequently, a user handler written to the flash memory cannot be used even if an interrupt has occurred.

Therefore, to use an interrupt during self-programming in the V850ES/JG3-L, execution must jump to a specific address^{Note} in the internal RAM. Write a branch instruction to execute the user interrupt servicing at the specific address^{Note} in the internal RAM.

Note NMI interrupt: Start address of internal RAM

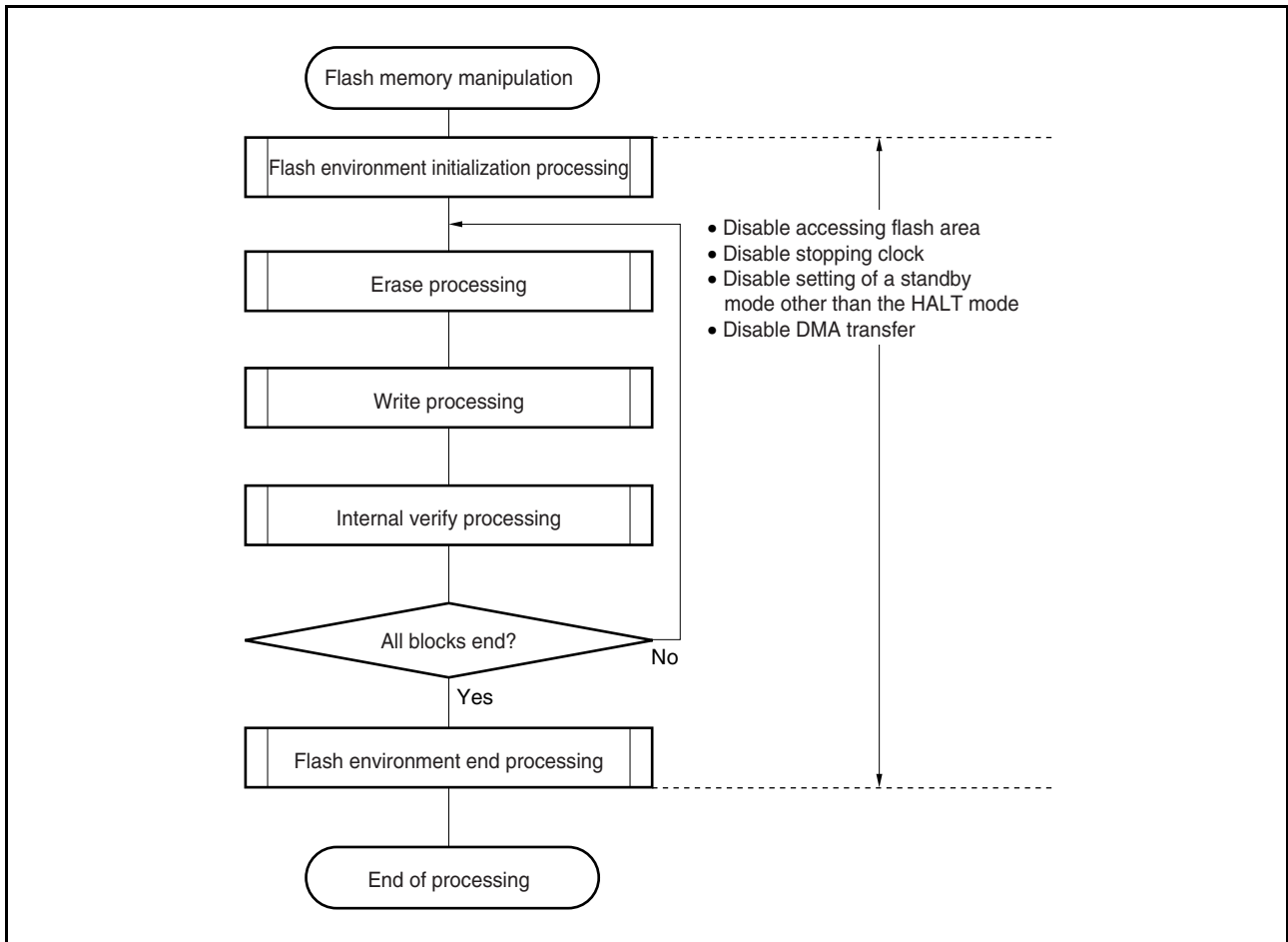
Maskable interrupt: Start address of internal RAM + 4 addresses

Caution To execute INTKR interrupt servicing during self programming, set the interrupt mask flag to disable interrupts (KRIC.KRMK bit = 1) and poll the interrupt request flag (KRIC.KRIF flag). Setting the KRIC.KRMK bit to 0 (to enable interrupts) during self programming is prohibited. For details of interrupt servicing, see 22.3.4 Interrupt control register (xxICn).

31.5.3 Standard self programming flow

The entire processing to rewrite the flash memory by flash self programming is illustrated below. For details, see the **Flash Memory Self-Programming Library User's Manual (U17819E)**.

Figure 31-17. Standard Self Programming Flowchart



31.5.4 Flash functions

Table 31-10. Flash Function List

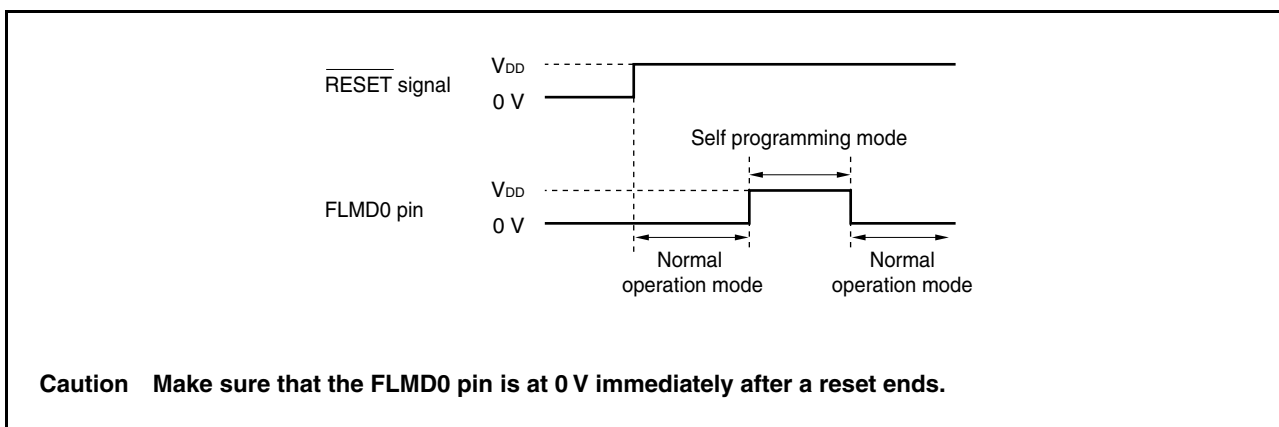
Function Name	Outline	Support
FlashInit	Self-programming library initialization	√
FlashEnv	Flash environment start/end	√
FlashFLMDCheck	FLMD pin check	√
FlashStatusCheck	Hardware processing execution status check	√
FlashBlockErase	Block erase	√
FlashWordWrite	Data write	√
FlashBlockVerify	Internal verification of block	√
FlashBlockBlankCheck	Blank check of block	√
FlashSetInfo	Flash information setting	√
FlashGetInfo	Flash information acquisition	√
FlashBootSwap	Boot swap execution	√

31.5.5 Pin processing

(1) FLMD0 pin

The FLMD0 pin is used to set the operation mode immediately after a reset ends and to protect the flash memory from being written during self rewriting. It is therefore necessary to keep the voltage applied to the FLMD0 pin at 0 V immediately after a reset ends and a normal operation is executed. It is also necessary to apply a voltage of V_{DD} level to the FLMD0 pin during the self programming mode period via port control before the memory is rewritten. When self programming has been completed, the voltage on the FLMD0 pin must be returned to 0 V.

Figure 31-18. Mode Change Timing



31.5.6 Internal resources used

The following table lists the internal resources used for self programming. These internal resources can also be used freely for purposes other than self programming.

Table 31-11. Internal Resources Used

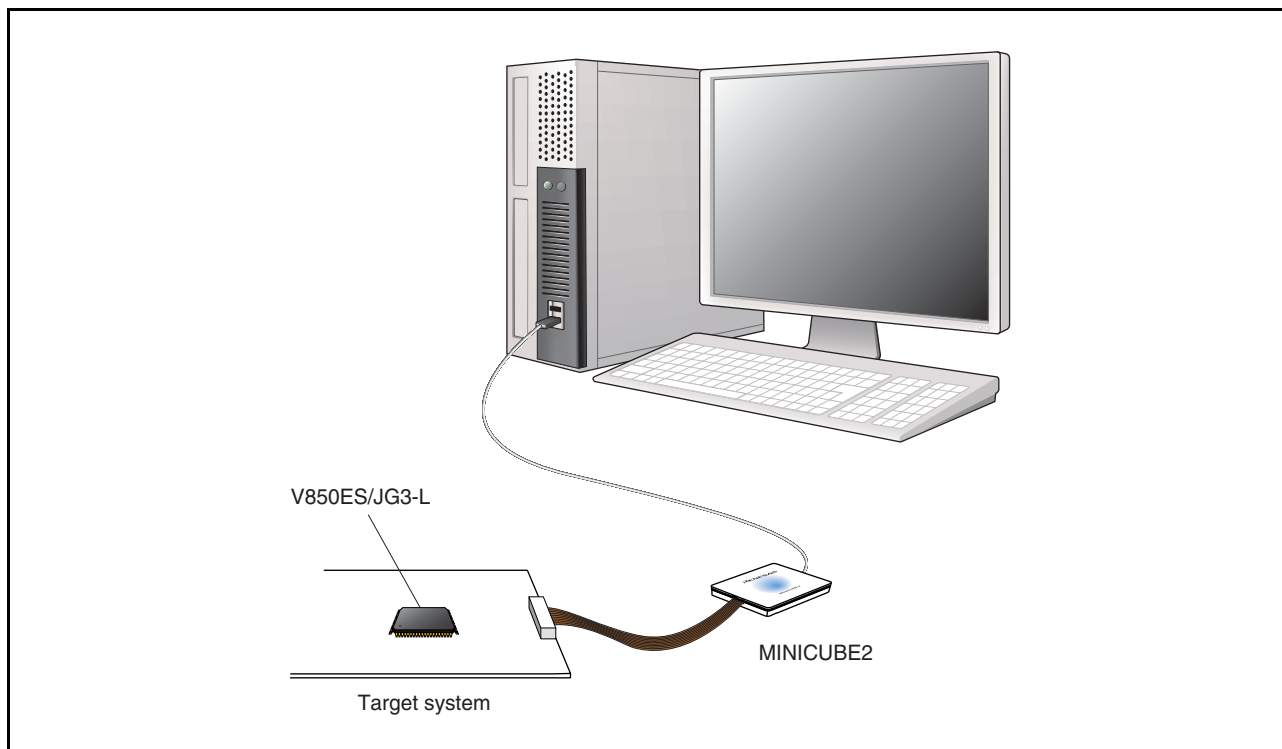
Resource Name	Description
Stack area	An extension of the stack used by the user is used by the library (can be used in both the internal RAM and external RAM).
Library code ^{Note}	Program entity of library (can be used anywhere other than the flash memory block to be manipulated).
Application program	Executed as user application. Calls flash functions.
Maskable interrupt	Can be used in the user application execution status or self-programming status. To use this interrupt in the self-programming status, since the processing transits to the address of the internal RAM start address + 4 addresses, allocate the branch instruction that shifts the processing to the user interrupt servicing at the address of the internal RAM start address + 4 addresses in advance.
NMI	Can be used in the user application execution status or self-programming status. To use this interrupt in the self-programming status, since the processing transits to the address of the internal RAM start address, allocate the branch instruction that shifts the processing to the user interrupt servicing at the internal RAM start address in advance.

Note For details about the resources used, see the **Flash Memory Self-Programming Library User's Manual**.

CHAPTER 32 ON-CHIP DEBUG FUNCTION

On-chip debugging is debugging executed with the V850ES/JG3-L mounted on the target system. By using MINICUBE2, on-chip debugging can be performed with a simple interface.

Figure 32-1. On-Chip Debugging Using MINICUBE2



On-chip debugging can be performed for the V850ES/JG3-L by using the following two methods.

- Using the DCU (debug control unit)
On-chip debugging is performed by the on-chip DCU in the V850ES/JG3-L, with the \overline{DRST} , DCK, DMS, DDI, and DDO pins used as the debug interface pins.
- Not using the DCU
On-chip debugging can be performed by MINICUBE2, using the user resources instead of the DCU.

The following table shows the features of the two on-chip debugging methods.

Table 32-1. Overview of On-Chip Debugging

		Debugging Using DCU	Debugging Without Using DCU
Debug interface pins		$\overline{\text{DRST}}$, DCK, DMS, DDI, DDO	<ul style="list-style-type: none"> When UARTA0 is used RXD0, TXD0 When CSIB0 is used SIB0, SOB0, SCKB0, HS (PCM0) When CSIB3 is used SIB3, SOB3, SCKB3, HS (PCM0)
Allocating user resources		Not required	Required
Hardware break function		2 points	2 points
Software break function	Internal ROM area	4 points	4 points
	Internal RAM area	2000 points	2000 points
Real-time RAM monitor function ^{Note 1}		Available	Available
Dynamic memory modification (DMM) function ^{Note 2}		Available	Available
Mask function		$\overline{\text{Reset}}$, NMI, INTWDT2, $\overline{\text{HLDRQ}}$, $\overline{\text{WAIT}}$	$\overline{\text{RESET}}$ pin
ROM security function		10-byte ID code authentication	10-byte ID code authentication
Hardware used		MINICUBE, etc.	MINICUBE2, etc.
Trace function		Not supported.	Not supported.
Debug interrupt interface function (DBINT)		Not supported.	Not supported.

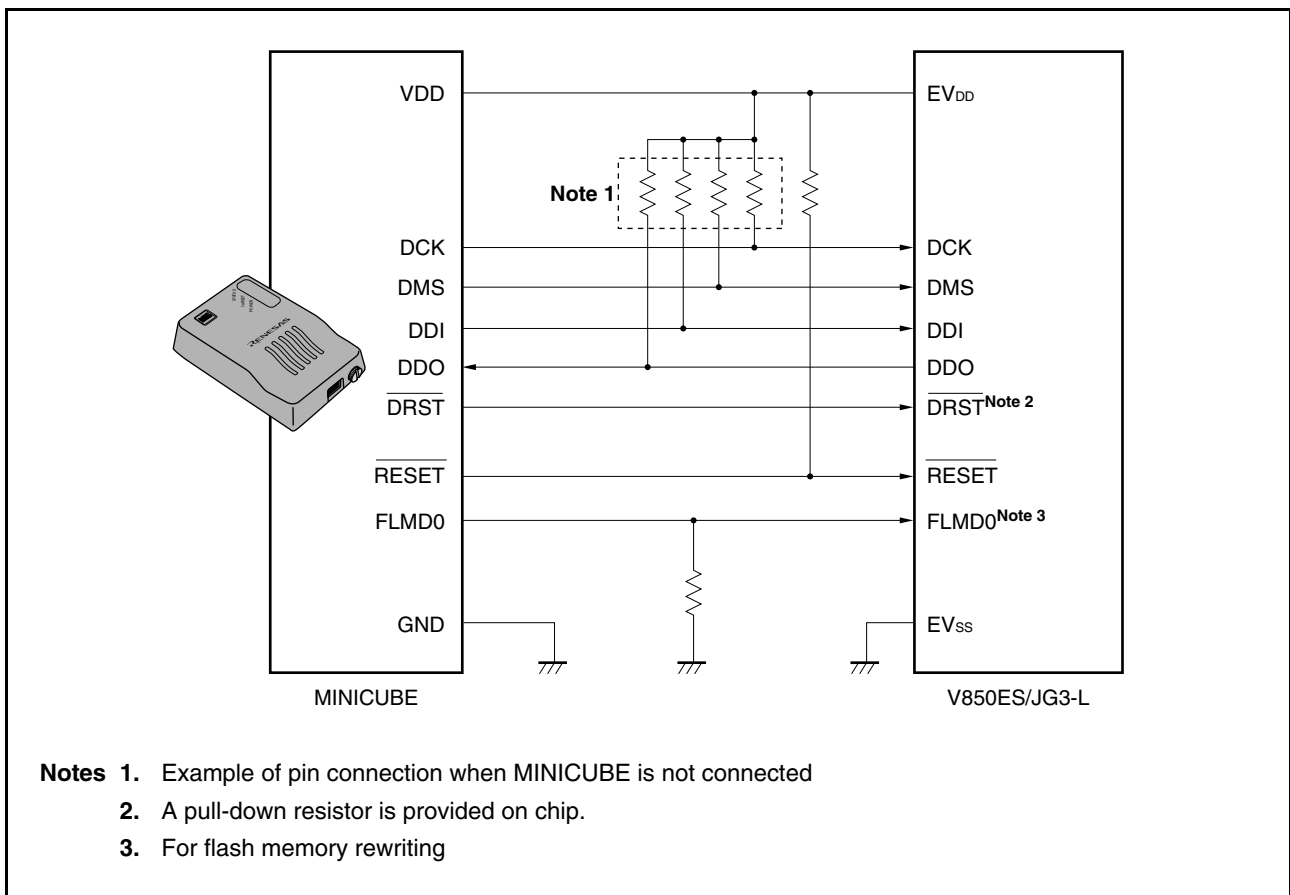
- Notes**
1. This is a function which reads out memory contents during program execution.
 2. This is a function which rewrites RAM contents during program execution.

32.1 Debugging with DCU

By using the debug interface pins ($\overline{\text{DRST}}$, DCK, DMS, DDI, and DDO) to connect the on-chip emulator (MINICUBE), programs can be debugged without using user resources other than these pins.

32.1.1 Connection circuit example

Figure 32-2. Circuit Connection Example When Debug Interface Pins Are Used for Communication Interface



32.1.2 Interface signals

The interface signals are described below.

(1) $\overline{\text{DRST}}$

This is a reset input signal for the on-chip debug unit. It is a negative-logic signal that asynchronously initializes the debug control unit.

MINICUBE raises the $\overline{\text{DRST}}$ signal when it detects V_{DD} of the target system after the integrated debugger is started, and starts the on-chip debug unit of the device.

When the $\overline{\text{DRST}}$ signal goes high, a reset signal is also generated in the CPU.

When starting debugging by starting the integrated debugger, a CPU reset is always generated.

(2) DCK

This is a clock input signal. It supplies a 20 MHz or 10 MHz clock from MINICUBE. In the on-chip debug unit, the DMS and DDI signals are sampled at the rising edge of the DCK signal, and the data DDO is output at its falling edge.

(3) DMS

This is a transfer mode select signal. The transfer status in the debug unit changes depending on the level of the DMS signal.

(4) DDI

This is a data input signal. It is sampled in the on-chip debug unit at the rising edge of DCK.

(5) DDO

This is a data output signal. It is output from the on-chip debug unit at the falling edge of the DCK signal.

(6) EV_{DD}

This signal is used to detect V_{DD} of the target system.

If V_{DD} of the target system cannot be detected, MINICUBE makes its output signals ($\overline{\text{DRST}}$, DCK, DMS, DDI, FLMD0, and $\overline{\text{RESET}}$) high-impedance.

(7) FLMD0

The flash self programming function is used to download data to the flash memory via the integrated debugger (ID850QB). During flash self programming, the FLMD0 pin must be kept high. In addition, connect a pull-down resistor to the FLMD0 pin.

The FLMD0 pin can be controlled in either of the following two ways.

<1> To control from MINICUBE

Connect the FLMD0 signal of MINICUBE to the FLMD0 pin.

In the normal mode, nothing is driven by MINICUBE (high impedance).

During a break, MINICUBE raises the FLMD0 pin to the high level when the download function of the integrated debugger is executed. In other cases, the FLMD0 pin is in a high-impedance state.

<2> To control from port

Use this method when executing self-programming.

Connect any port of the device to the FLMD0 pin.

The same port as the one used by the user program to realize the flash self programming function may be used.

Before executing a download, set the port pin connected to the FLMD0 pin to high level on the console of the integrated debugger. Upon completion of the download, reset the port pin to low level.

For details, refer to the **ID850QB Ver. 3.40 Integrated Debugger Operation User's Manual (U18604E)**.

(8) RESET

This is a system reset input pin. If the \overline{DRST} pin is made invalid by the value of the OCDM.OCDM0 bit set by the user program, on-chip debugging cannot be executed. Therefore, a reset is executed by MINICUBE, using the \overline{RESET} pin, to make the \overline{DRST} pin valid (initialization).

32.1.3 Mask function

The reset, NMI, INTWDT2, \overline{WAIT} , and \overline{HLDRQ} signals can be masked.

The maskable signals in the integrated debugger (ID850QB) and the corresponding V850ES/JG3-L functions are listed below.

Table 32-2. Mask Functions

Maskable Signals in Debugger (ID850QB)	Corresponding V850ES/JG3-L Functions
NMI0	NMI pin input
NMI2	Non-maskable interrupt request signal (INTWDT2) generation
STOP	Non-maskable
HOLD	\overline{HLDRQ} pin input
RESET	Reset signal generation by \overline{RESET} pin input, low-voltage detector, clock monitor, or watchdog timer (WDT2) overflow
WAIT	\overline{WAIT} pin input

32.1.4 Registers

(1) On-chip debug mode register (OCDM)

This register is used to specify whether a pin provided with an on-chip debug function is used as an on-chip debug pin or as an ordinary port/peripheral function pin. It also is used to disconnect the internal pull-down resistor of the P05/INTP2/ $\overline{\text{DRST}}$ pin.

This register is a special register and can be written only in a combination of specific sequences (see 3.4.7 **Special registers**).

The OCDM register can be written only while a low level is input to the P05/INTP2/ $\overline{\text{DRST}}$ pin.

This register can be read or written in 8-bit or 1-bit units.

After reset: 01H^{Note} R/W Address: FFFFF9FCH

OCDM	7	6	5	4	3	2	1	<0>
	0	0	0	0	0	0	0	OCDM0

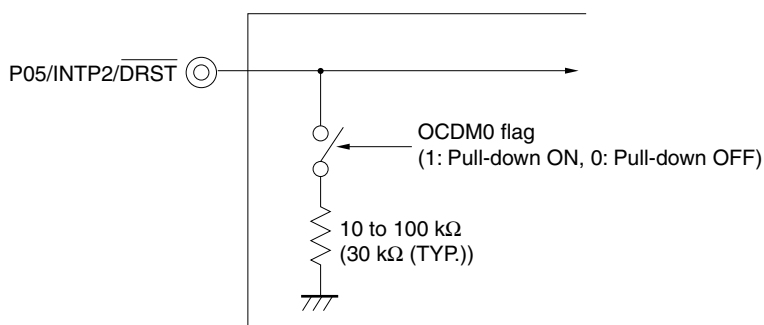
OCDM0	Operation mode
0	Selects normal operation mode (in which a pin that functions alternately as on-chip debug function pin is used as a port/peripheral function pin) and disconnects the on-chip pull-down resistor of the P05/INTP2/ $\overline{\text{DRST}}$ pin.
1	When P05/INTP2/ $\overline{\text{DRST}}$ pin is low: Normal operation mode (in which a pin that functions alternately as an on-chip debug function pin is used as a port/peripheral function pin) When P05/INTP2/ $\overline{\text{DRST}}$ pin is high: On-chip debug mode (in which a pin that functions alternately as an on-chip debug function pin is used as an on-chip debug mode pin)

Note $\overline{\text{RESET}}$ input sets this register to 01H. After reset by the WDT2RES signal, clock monitor (CLM), or low-voltage detector (LVI), however, the value of the OCDM register is retained.

Cautions 1. When using the DDI, DDO, DCK, and DMS pins not as on-chip debug pins but as port pins after external reset, one of the following actions must be taken.

- Input a low level to the P05/INTP2/ $\overline{\text{DRST}}$ pin.
- Set the OCDM0 bit. In this case, take the following actions.
 - <1> Clear the OCDM0 bit to 0.
 - <2> Fix the P05/INTP2/ $\overline{\text{DRST}}$ pin to low level until <1> is completed.

2. The P05/INTP2/ $\overline{\text{DRST}}$ pin has an on-chip pull-down resistor. This resistor is disconnected when the OCDM0 flag is cleared to 0.



32.1.5 Operation

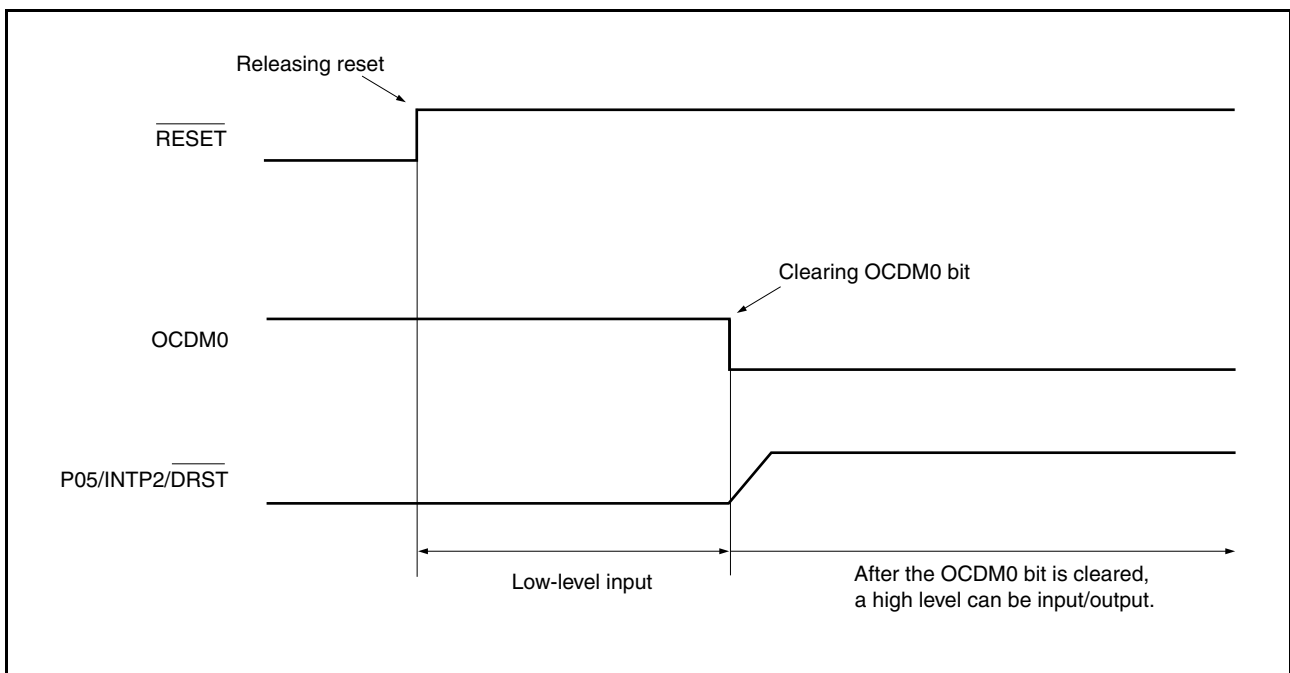
The on-chip debug function is made invalid under the conditions shown in the table below.

When this function is not used, keep the $\overline{\text{DRST}}$ pin low until the OCDM.OCDM0 flag is cleared to 0.

OCDM0 Flag $\overline{\text{DRST}}$ Pin	0	1
L	Invalid	Invalid
H	Invalid	Valid

Remark L: Low-level input
H: High-level input

Figure 32-3. Timing When On-Chip Debug Function Is Not Used



32.1.6 Cautions

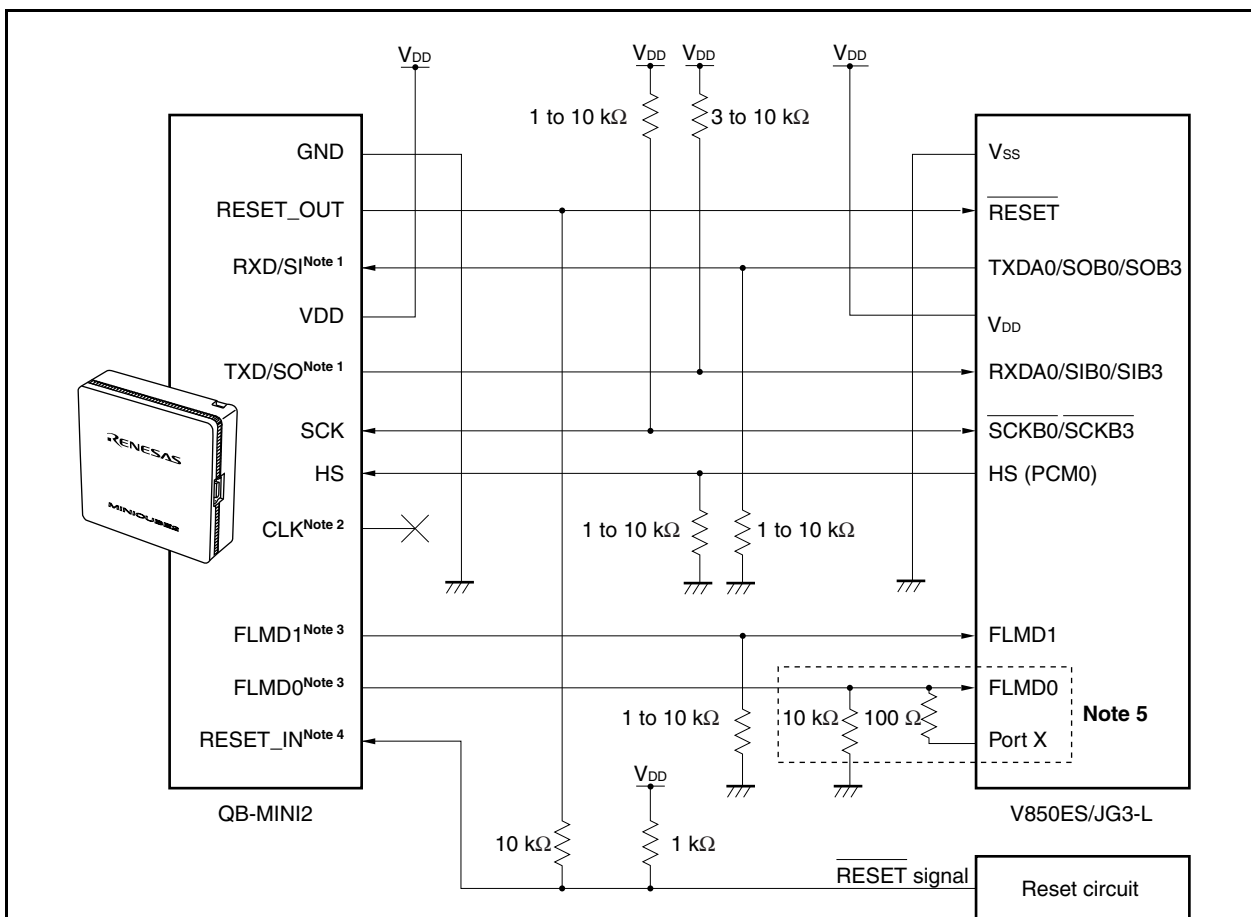
- (1) If a reset signal is input (from the target system or from an internal reset source) during program execution, the break function may malfunction.
- (2) Even if the reset signal is masked by the mask function, the I/O buffer (port pin) may be reset if a reset signal is input from a pin.
- (3) The reset signal from a pin for which a break is specified is masked and the CPU and peripheral I/O are not reset. If a pin-based reset or internal reset is generated as soon as the flash memory is rewritten by DMM or read by the RAM monitor function while the user program is being executed, the CPU and peripheral I/O may not be correctly reset.
- (4) In the on-chip debug mode, the DDO pin is forcibly set to high-level output.
- (5) On-chip debugging can be used when the supply voltage (V_{DD}) is in a range of 2.7 to 3.6 V. It cannot be used at less than 2.7 V.
- (6) In the on-chip debug mode, the output voltage of the regulator does not decrease even in the low-voltage STOP mode, low-voltage subclock mode, or low-voltage sub-IDLE mode

32.2 Debugging Without Using DCU

The following describes how to implement an on-chip debug function using MINICUBE2 with pins for UARTA0 (RXDA0 and TXDA0), pins for CSIB0 (SIB0, SOB0, SCKB0, and HS (PCM0)), or pins for CSIB3 (SIB3, SOB3, SCKB3, and HS (PCM0)) as the debug interface, without using the DCU.

32.2.1 Circuit connection examples

Figure 32-4. Circuit Connection Example When UARTA0/CSIB0/CSIB3 Is Used for Communication Interface



- Notes**
1. Connect TXDA0/SOB0/SOB3 (transmit side) of the V850ES/JG3-L to RXD/SI (receive side) of the target connector, and TXD/SO (transmit side) of the target connector to RXDA0/SIB0/SIB3 (receive side) of the V850ES/JG3-L.
 2. This pin is not used during on-chip debugging.
 3. During debugging, this pin is used as an input (unused) pin and can be used for its alternate functions. A pull-down resistor of 100kΩ is connected to this pin in MINICUBE2.
 4. This connection is designed assuming that the $\overline{\text{RESET}}$ signal is output from an N-ch open-drain buffer (output resistance: 100 Ω or less).
 5. The circuit enclosed by a dashed line is designed for flash self programming and controls the FLMD0 pin via a port. Use a port for inputting or outputting the high level. When flash self programming is not performed, the pull-down resistance for the FLMD0 pin can be 1 to 10 kΩ.

Remark See Table 32-3 for the pins used when UARTA0, CSIB0, or CSIB3 is used for communication interface.

Table 32-3. Wiring Between V850ES/JG3-L and MINICUBE2

Pin Configuration of MINICUBE2 (QB-MINI2)			With CSIB0-HS			With CSIB3-HS			With UARTA0		
Signal Name	I/O	Pin Function	Pin Name	Pin No.		Pin Name	Pin No.		Pin Name	Pin No.	
				GC	F1		GC	F1		GC	F1
SI/RxD	Input	Pin to receive commands and data from V850ES/JG3-L	P41/SOB0	23	K2	P911/SOB3	54	H9	P30/TXDA0	25	L3
SO/TxD	Output	Pin to transmit commands and data to V850ES/JG3-L	P40/SIB0	22	K1	P910/SIB3	53	H10	P31/RXDA0	26	K3
SCK	Output	Clock output pin for 3-wire serial communication	P42/SCKB0	24	L2	P912/SCKB3	55	G11	Not needed	–	–
CLK	Output	Pin outputting clock signal to V850ES/JG3-L	Not needed	–	–	Not needed	–	–	Not needed	–	–
RESET_OUT	Output	Pin outputting reset signal to V850ES/JG3-L	RESET	14	H3	RESET	14	H3	RESET	14	H3
FLMD0	Output	Output pin to set V850ES/JG3-L to debug mode or programming mode	FLMD0	8	F3	FLMD0	8	F3	FLMD0	8	F3
FLMD1	Output	Output pin to set programming mode	PDL5/FLMD1	76	A10	PDL5/FLMD1	76	A10	PDL5/FLMD1	76	A10
HS	Input	Handshake signal for CSIO + HS communication	PCM0/WAIT	61	E9	PCM0/WAIT	61	E9	Not needed	–	–
GND	–	Ground	V _{SS}	11	Note 1	V _{SS}	11	Note 1	V _{SS}	11	Note 1
			AV _{SS}	2	C1, C2	AV _{SS}	2	C1, C2	AV _{SS}	2	C1, C2
			EV _{SS}	33, 69	Note 2	EV _{SS}	33, 69	Note 2	EV _{SS}	33, 69	Note 2
RESET_IN	Input	Reset input pin on the target system									

Notes 1. G1, G2, J1

2. A6, E5-E7, E11, F5-F7, G5-G7, L1, L5

Remark GC: 100-pin plastic LQFP (14 × 14)

F1: 121-pin plastic FBGA (8 × 8)

32.2.2 Mask function

Only reset signals can be masked.

The maskable signals in the debugger (ID850QB) and the corresponding V850ES/JG3-L functions are listed below.

Table 32-4. Mask Functions

Maskable Signals in ID850QB	Corresponding V850ES/JG3-L Functions
NMI0	–
NMI1	–
NMI2	–
STOP	–
HOLD	–
RESET	Reset signal generation by $\overline{\text{RESET}}$ pin input
WAIT	–

32.2.3 Allocation of user resources

The user must prepare the following resources to perform communication between MINICUBE2 and the target device and implement each debug function. These items need to be set in the user program or using the compiler options.

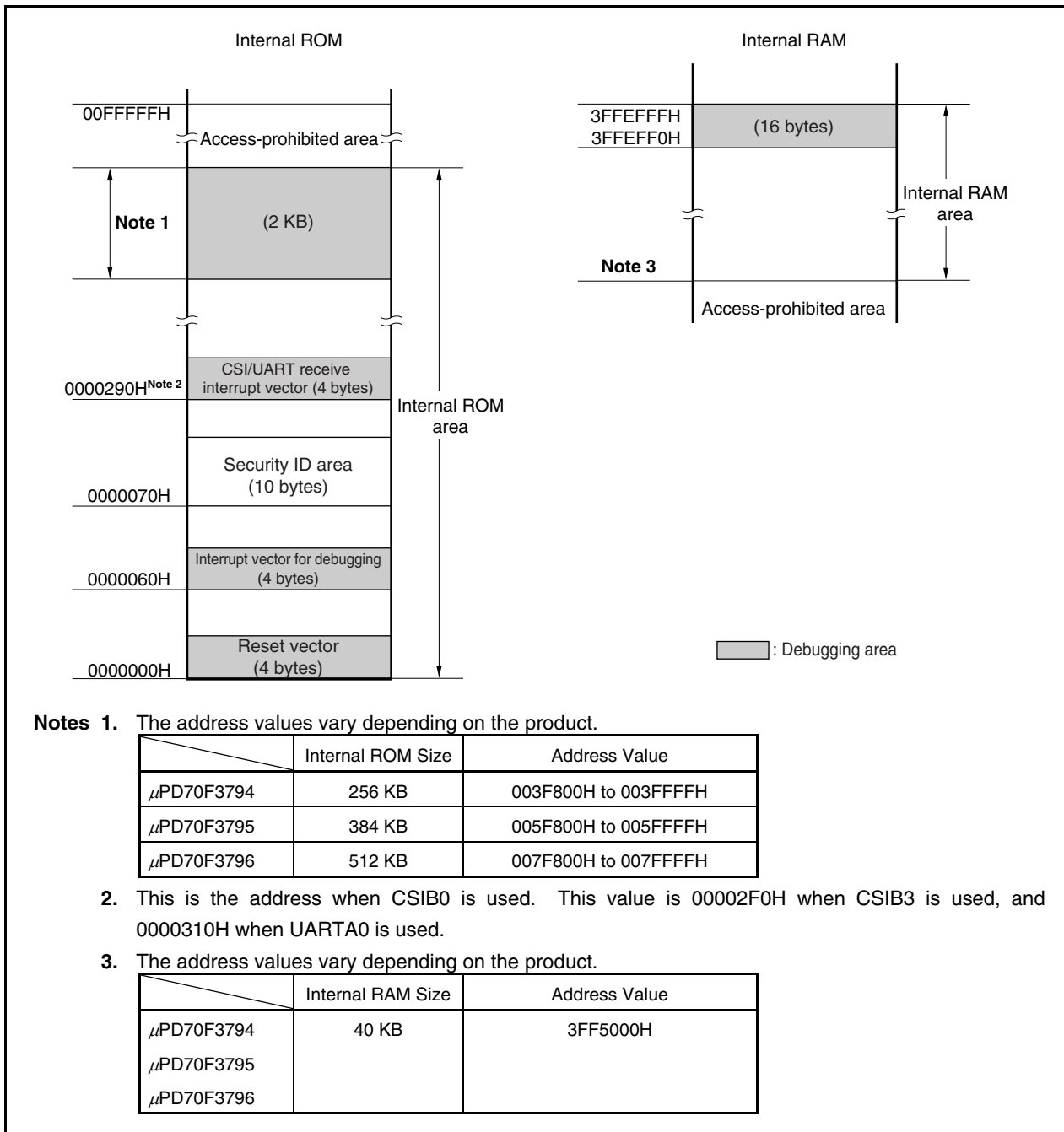
(1) Allocation of memory space

The shaded portions in Figure 32-5 are the areas reserved for placing the debug monitor program, so user programs and data cannot be allocated to these spaces. These spaces must be secured so as not to be used by the user program.

(2) Security ID setting

The ID code must be embedded in the area between 0000070H and 0000079H in Figure 32-5, to prevent the memory from being read by an unauthorized person. For details, see **32.3 ROM Security Function**.

Figure 32-5. Memory Spaces Where Debug Monitor Programs Are Allocated



(3) Reset vector

The reset vector includes the jump instruction for the debug monitor program.

[How to secure the reset vector]

It is not necessary to secure this area intentionally. When downloading a program, however, the debugger rewrites the reset vector in accordance with the following cases. If the rewritten pattern does not match the following cases, the debugger generates an error (FOC34 when using the ID850QB).

(a) When two nop instructions are placed in succession from address 0

Before rewriting		After rewriting
0x0 nop	→	Jumps to debug monitor program at 0x0
0x2 nop		0x4 xxxx
0x4 xxxx		

(b) When two 0xFFFF values are successively placed from address 0 (already erased device)

Before rewriting		After rewriting
0x0 0xFFFF	→	Jumps to debug monitor program at 0x0
0x2 0xFFFF		0x4 xxxx
0x4 xxxx		

(c) The jr instruction is placed at address 0 (when using CA850)

Before rewriting		After rewriting
0x0 jr disp22	→	Jumps to debug monitor program at 0x0
		0x4 jr disp22 - 4

(d) mov32 and jmp are placed in succession from address 0 (when using IAR compiler ICCV850)

Before rewriting		After rewriting
0x0 mov imm32,reg1	→	Jumps to debug monitor program at 0x0
0x6 jmp [reg1]		0x4 mov imm32,reg1
		0xa jmp [reg1]

(e) The jump instruction for the debug monitor program is placed at address 0

Before rewriting		After rewriting
Jumps to debug monitor program at 0x0	→	No change

(4) Allocation of area for debug monitor program

The shaded portions in Figure 32-5 are the areas where the debug monitor program is allocated. The monitor program performs initialization processing for the debug communication interface and run or break processing for the CPU. The internal ROM area must be filled with 0xFF. This area must not be rewritten by the user program.

[How to secure area for the debug monitor program]

It is not necessarily required to secure this area if the user program does not use this area.

To avoid problems that may occur during debugger startup, however, it is recommended to secure this area in advance, using the compiler.

The following shows examples of securing the area, using the Renesas Electronics compiler CA850. Add the assemble source file and link directive code, as shown below.

- Assemble source (Add the following code as an assemble source file.)

```
-- Secures 2 KB space for monitor ROM section
.section "MonitorROM", const
.space 0x800, 0xff

-- Secures interrupt vector for debugging
.section "DBG0"
.space 4, 0xff

-- Secures interrupt vector for serial communication
-- Change the section name according to the serial communication mode used
.section "INTCB0R"
.space 4, 0xff

-- Secures 16-byte space for monitor RAM section
.section "MonitorRAM", bss
.lcomm monitorramsym, 16, 4 -- defines symbol monitorramsym
```

- Link directive (Add the following code to the link directive file.)

The following shows an example when using the μ PD70F3794 (the internal ROM is 256 KB (end address is 003FFFFH) and internal RAM is 40 KB (end address is 3FFEFFH)).

```
MROMSEG      : !LOAD ?R V0x03f800{
              MonitorROM = $PROGBITS ?A MonitorROM;
};

MRAMSEG      : !LOAD ?RW V0x03ffeff0{
              MonitorRAM = $NOBITS ?AW MonitorRAM;
};
```

(5) Allocation of communication serial interface

UARTA0, CSIB0, or CSIB3 is used for communication between MINICUBE2 and the target system. The settings related to the serial interface modes are performed by the debug monitor program, but if the setting is changed by the user program, a communication error may occur.

To prevent such a problem from occurring, the communication serial interface must be secured in the user program.

[How to secure the communication serial interface]

- On-chip debug mode register (OCDM)

For the on-chip debug function using the UARTA0, CSIB0, or CSIB3, set the OCDM register to normal mode. Be sure to set as follows.

- Input low level to the P05/INTP2/ $\overline{\text{DRST}}$ pin.
- Set the OCDM0 bit as shown below.
 - <1> Clear the OCDM0 bit to 0.
 - <2> Fix the P05/INTP2/ $\overline{\text{DRST}}$ pin input to low level until the processing of <1> is complete.

- Serial interface registers

Do not set the registers related to CSIB0, CSIB3, or UARTA0 in the user program.

- Interrupt mask register

When CSIB0 is used, do not mask the transmit end interrupt (INTCB0R). When CSIB3 is used, do not mask the transmit end interrupt (INTCB3R). When UARTA0 is used, do not mask the reception complete interrupt (INTUA0R).

(a) When CSIB0 is used

	7	6	5	4	3	2	1	0
CB0RIC	×	0	×	×	×	×	×	×

(b) When CSIB3 is used

	7	6	5	4	3	2	1	0
CB3RIC	×	0	×	×	×	×	×	×

(c) When UARTA0 is used

	7	6	5	4	3	2	1	0
UA0RIC	×	0	×	×	×	×	×	×

Remark ×: don't care

- Port registers when UARTA0 is used

When UARTA0 is used, port registers are set by the debug monitor program to make the TXDA0 and RXDA0 pins valid. Do not change the following register settings in the user program during debugging. (The same value can be written again.)

	7	6	5	4	3	2	1	0
PFC3	×	×	×	×	×	×	0	0
	7	6	5	4	3	2	1	0
PMC3L	×	×	×	×	×	×	1	1

Remark ×: don't care

- Port registers when CSIB0 is used

When CSIB0 is used, port registers are set by the debug monitor program to make the SIB0, SOB0, $\overline{\text{SCKB0}}$, and HS (PCM0) pins valid. Do not change the following register settings in the user program during debugging. (The same value can be written again.)

(a) SIB0, SOB0, and $\overline{\text{SCKB0}}$ settings

	7	6	5	4	3	2	1	0
PFC4	×	×	×	×	×	×	0	0
	7	6	5	4	3	2	1	0
PMC4	×	×	×	×	×	1	1	1

(b) HS (PCM0 pin) settings

	7	6	5	4	3	2	1	0
PMCM	×	×	×	×	×	×	×	0
	7	6	5	4	3	2	1	0
PCM	×	×	×	×	×	×	×	Note

Note Writing to this bit is prohibited.
The port values corresponding to the HS pin are changed by the monitor program according to the debugger status. To specify port register settings in 8-bit units, read-modify-write can usually be used in the user program. If an interrupt for debugging occurs before writing, however, an unexpected operation may be performed.

Remark ×: don't care

- Port registers when CSIB3 is used

When CSIB3 is used, port registers are set by the debug monitor program to make the SIB3, SOB3, $\overline{\text{SCKB3}}$, and HS (PCM0) pins valid. Do not change the following register settings in the user program during debugging. (The same value can be written again.)

(a) SIB3, SOB3, and $\overline{\text{SCKB3}}$ settings

	7	6	5	4	3	2	1	0
PFC9H	×	×	×	1	1	1	×	×

	7	6	5	4	3	2	1	0
PMC9H	×	×	×	1	1	1	×	×

(b) HS (PCM0 pin) settings

	7	6	5	4	3	2	1	0
PMCM	×	×	×	×	×	×	×	0

	7	6	5	4	3	2	1	0
PCM	×	×	×	×	×	×	×	Note

Note Writing to this bit is prohibited.

The port values corresponding to the HS pin are changed by the monitor program according to the debugger status. To specify port register settings in 8-bit units, read-modify-write can usually be used in the user program. If an interrupt for debugging occurs before writing, however, an unexpected operation may be performed.

Remark ×: don't care

32.2.4 Cautions

(1) Handling of device that was used for debugging

Do not mount a device that was used for debugging on a mass-produced product, because the flash memory was rewritten during debugging and the number of rewrites of the flash memory cannot be guaranteed. Moreover, do not embed the debug monitor program into mass-produced products.

(2) When breaks cannot be executed

Forced breaks cannot be executed if one of the following conditions is satisfied.

- Interrupts are disabled (DI)
- Interrupts issued for the serial interface, which is used for communication between MINICUBE2 and the target device, are masked
- Standby mode is entered while standby release by a maskable interrupt is prohibited
- Mode for communication between MINICUBE2 and the target device is UARTA0, and the main clock has been stopped

(3) When pseudo real-time RAM monitor (RRM) function and DMM function do not operate

The pseudo RRM function and DMM function do not operate if one of the following conditions is satisfied.

- Interrupts are disabled (DI)
- Interrupts issued for the serial interface, which is used for communication between MINICUBE2 and the target device, are masked
- Standby mode is entered while standby release by a maskable interrupt is prohibited
- Mode for communication between MINICUBE2 and the target device is UARTA0, and the main clock has been stopped
- Mode for communication between MINICUBE2 and the target device is UARTA0, and a clock different from the one specified in the debugger is used for communication

(4) Standby release with pseudo RRM and DMM functions enabled

The standby mode is released by the pseudo RRM function and DMM function if one of the following conditions is satisfied.

- Mode for communication between MINICUBE2 and the target device is CSIB0 or CSIB3
- Mode for communication between MINICUBE2 and the target device is UARTA0, and the main clock has been supplied.

(5) Writing to peripheral I/O registers that require a specific sequence, using DMM function

Peripheral I/O registers that require a specific sequence cannot be written by using the DMM function.

(6) Flash self programming

If the space where the debug monitor program is allocated is rewritten by flash self programming, the debugger can no longer operate normally.

(7) On-chip debugging can be used when the supply voltage (V_{DD}) is in a range of 2.7 to 3.6 V. It cannot be used at less than 2.7 V.

32.3 ROM Security Function

32.3.1 Security ID

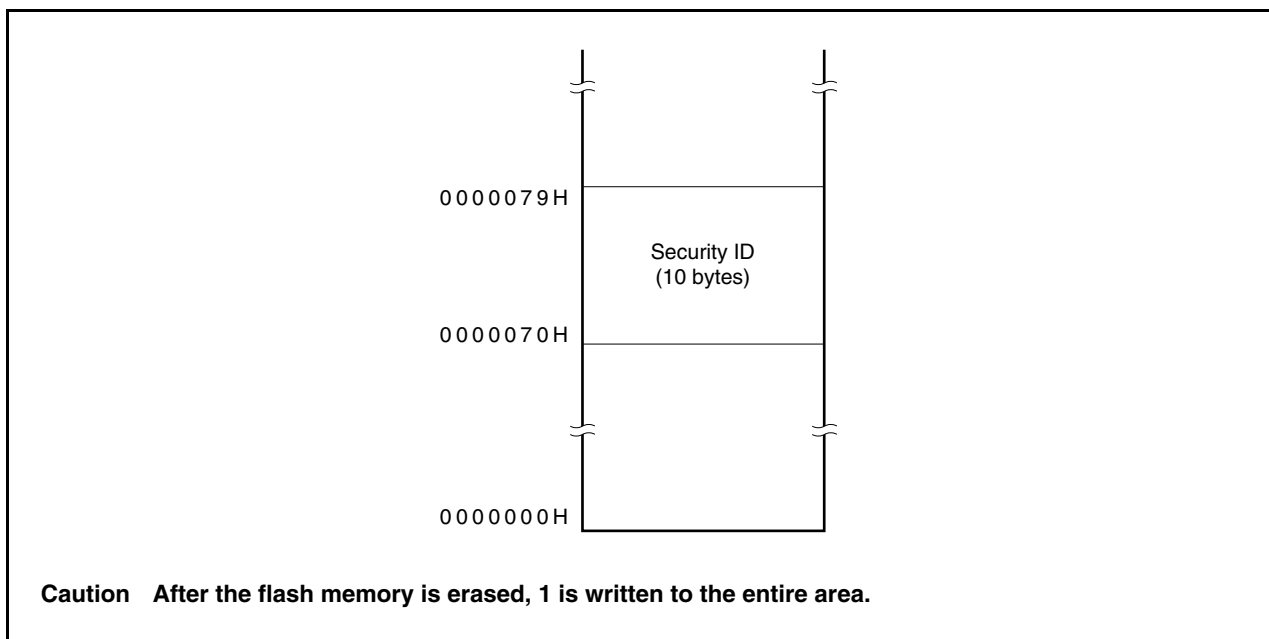
The flash memory versions of the V850ES/JG3-L perform authentication using a 10-byte ID code to prevent the contents of the flash memory from being read by an unauthorized person during on-chip debugging by the on-chip debug emulator.

Set the ID code in the 10-byte internal flash memory area from 0000070H to 0000079H to allow the debugger perform ID authentication.

If the IDs match, the security is released and reading the flash memory and using the on-chip debug emulator are enabled.

- Set the 10-byte ID code to 0000070H to 0000079H.
- Bit 7 of 0000079H is the on-chip debug emulator enable flag.
(0: Disable, 1: Enable)
- When the on-chip debug emulator is started, the debugger requests ID input. When the ID code input to the debugger and the ID code set in 0000070H to 0000079H match, the debugger starts.
- Debugging cannot be performed if the on-chip debug emulator enable flag is 0, even if the ID codes match.

Figure 32-6. Security ID Area



32.3.2 Setting

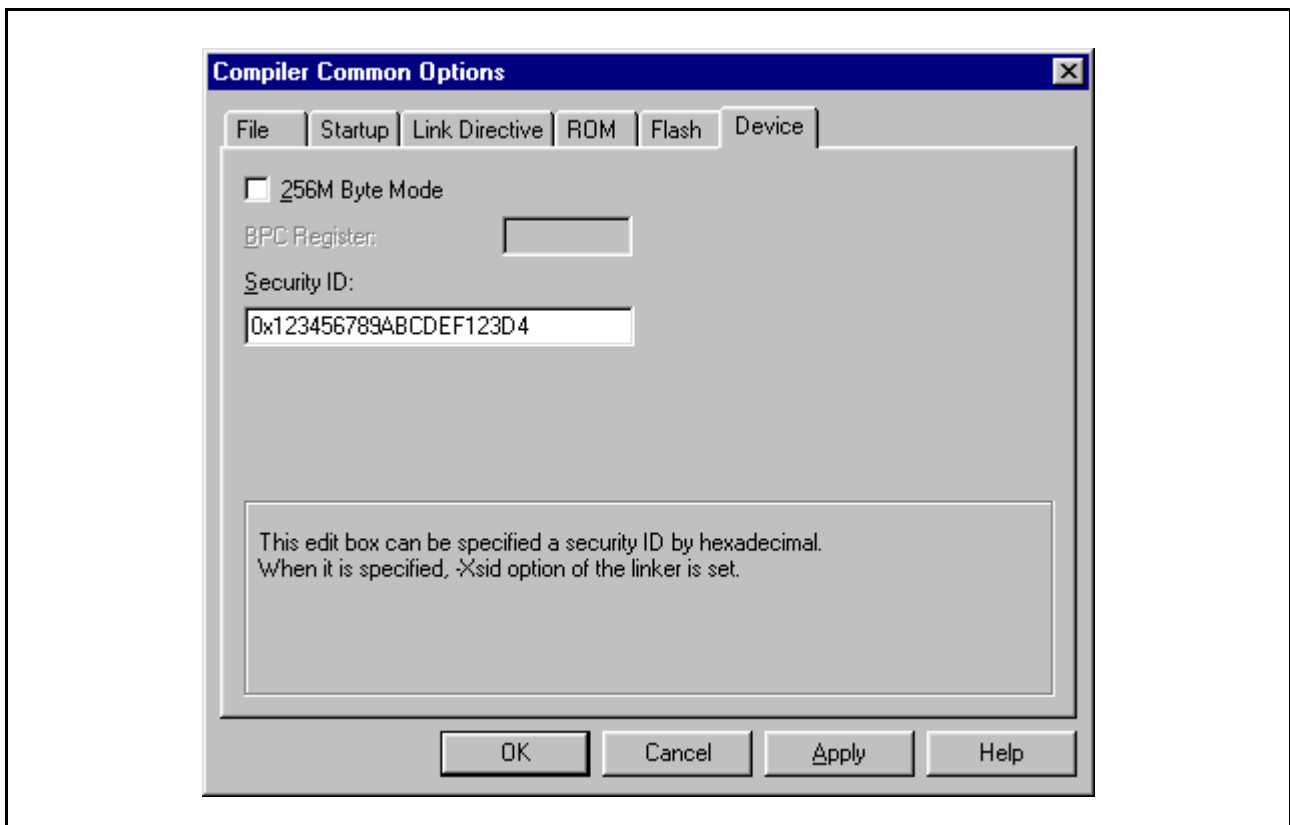
The following shows how to set the ID code as shown in Table 32-5.

When the ID code is set as shown in Table 32-5, the ID code input in the configuration dialog box of the ID850QB is "123456789ABCDEF123D4" (the ID code is not case-sensitive).

Table 32-5. ID Code

Address	Value
0x70	0x12
0x71	0x34
0x72	0x56
0x73	0x78
0x74	0x9A
0x75	0xBC
0x76	0xDE
0x77	0XF1
0x78	0x23
0x79	0xD4

The ID code can be specified in the Compiler Common Options dialog box in PM+.



CHAPTER 33 ELECTRICAL SPECIFICATIONS (μ PD70F3794, 70F3795, 70F3796)

33.1 Absolute Maximum Ratings

Absolute Maximum Ratings ($T_A = 25^\circ\text{C}$) (1/2)

Parameter	Symbol	Conditions	Ratings	Unit
Supply voltage	V_{DD}	$V_{DD} = EV_{DD} = UV_{DD} = AV_{REF0} = AV_{REF1}$	-0.5 to +4.6	V
	EV_{DD}	$V_{DD} = EV_{DD} = UV_{DD} = AV_{REF0} = AV_{REF1}$	-0.5 to +4.6	V
	RV_{DD}	$V_{DD} = EV_{DD} = UV_{DD} = AV_{REF0} = AV_{REF1}$	-0.5 to +4.6	V
	UV_{DD}	$V_{DD} = EV_{DD} = UV_{DD} = AV_{REF0} = AV_{REF1}$	-0.5 to +4.6	V
	AV_{REF0}	$V_{DD} = EV_{DD} = UV_{DD} = AV_{REF0} = AV_{REF1}$	-0.5 to +4.6	V
	AV_{REF1}	$V_{DD} = EV_{DD} = UV_{DD} = AV_{REF0} = AV_{REF1}$	-0.5 to +4.6	V
	V_{SS}	$V_{SS} = EV_{SS} = AV_{SS}$	-0.5 to +0.5	V
	AV_{SS}	$V_{SS} = EV_{SS} = AV_{SS}$	-0.5 to +0.5	V
	EV_{SS}	$V_{SS} = EV_{SS} = AV_{SS}$	-0.5 to +0.5	V
Input voltage	V_{I1}	P97 to P915, PDH0 to PDH4, PCM0 to PCM3, PCT0, PCT1, PCT4, PCT6, PDL0 to PDL15, RESET, FLMD0	-0.5 to $EV_{DD} + 0.5^{\text{Note 1}}$	V
	V_{I2}	P10, P11	-0.5 to $AV_{REF1} + 0.5^{\text{Note 1}}$	V
	V_{I3}	X1	-0.5 to $V_{DD} + 0.5^{\text{Note 1}}$	V
		X2	-0.5 to $V_{RO}^{\text{Note 2}} + 0.5^{\text{Note 1}}$	
	V_{I4}	P02 to P06, P30 to P32, P36 to P39, P40 to P42, P50 to P55, P90 to P96	-0.5 to +6.0	V
	V_{I5}	XT1, XT2	-0.5 to $V_{RO}^{\text{Note 2}} + 0.5$	V
V_{I6}	UDMF, UDPF	-0.5 to $UV_{DD} + 0.5^{\text{Note 1}}$	V	
Analog input voltage	V_{IAN}	P70 to P711	-0.5 to $AV_{REF0} + 0.5^{\text{Note 1}}$	V

Notes 1. Be sure not to exceed the absolute maximum ratings (MAX. value) of each supply voltage.

2. On-chip regulator output voltage

Cautions 1. Do not directly connect the output (or I/O) pins of IC products to each other, or to V_{DD} , V_{CC} , and GND. Open-drain pins or open-collector pins, however, can be directly connected to each other. Direct connection of the output pins between an IC product and an external circuit is possible, if the output pins can be set to the high-impedance state and the output timing of the external circuit is designed to avoid output conflict.

2. Product quality may suffer if the absolute maximum rating is exceeded even momentarily for any parameter. That is, the absolute maximum ratings are rated values at which the product is on the verge of suffering physical damage, and therefore the product must be used under conditions that ensure that the absolute maximum ratings are not exceeded.

The ratings and conditions indicated for DC characteristics, AC characteristics, and operating conditions represent the quality assurance range during normal operation.

Remark Unless specified otherwise, the ratings of alternate-function pins are the same as those of port pins.

Absolute Maximum Ratings ($T_A = 25^\circ\text{C}$) (2/2)

Parameter	Symbol	Conditions	Ratings	Unit			
Output current, low	I_{OL}	P02 to P06, P30 to P32, P36 to P39 P40 to P42, P50 to P55, P90 to P915, PDH4	Per pin	4	mA		
			Total of all pins	50	mA		
		PCM0 to PCM3, PCT0, PCT1, PCT4, PCT6, PDH0 to PDH3, PDL0 to PDL15	Per pin	4	mA		
			Total of all pins	50	mA		
		UDMF, UPDF	Per pin	4	mA		
			Total of all pins	8	mA		
		P10, P11	Per pin	4	mA		
			Total of all pins	8	mA		
		P70 to P711	Per pin	4	mA		
			Total of all pins	20	mA		
		Output current, high	I_{OH}	P02 to P06, P30 to P32, P36 to P39 P40 to P42, P50 to P55, P90 to P915, PDH4	Per pin	-4	mA
					Total of all pins	-50	mA
PCM0 to PCM3, PCT0, PCT1, PCT4, PCT6, PDH0 to PDH3, PDL0 to PDL15	Per pin			-4	mA		
	Total of all pins			-50	mA		
UDMF, UPDF	Per pin			-4	mA		
	Total of all pins			-8	mA		
P10, P11	Per pin			-4	mA		
	Total of all pins			-8	mA		
P70 to P711	Per pin			-4	mA		
	Total of all pins			-20	mA		
Operating ambient temperature	T_A			Normal operation mode	-40 to +85	$^\circ\text{C}$	
				Flash memory programming mode	-40 to +85	$^\circ\text{C}$	
Storage temperature	T_{stg}		-40 to +125	$^\circ\text{C}$			

- Cautions**
1. Do not directly connect the output (or I/O) pins of IC products to each other, or to V_{DD} , V_{CC} , and GND. Open-drain pins or open-collector pins, however, can be directly connected to each other. Direct connection of the output pins between an IC product and an external circuit is possible, if the output pins can be set to the high-impedance state and the output timing of the external circuit is designed to avoid output conflict.
 2. Product quality may suffer if the absolute maximum rating is exceeded even momentarily for any parameter. That is, the absolute maximum ratings are rated values at which the product is on the verge of suffering physical damage, and therefore the product must be used under conditions that ensure that the absolute maximum ratings are not exceeded. The ratings and conditions indicated for DC characteristics, AC characteristics, and operating conditions represent the quality assurance range during normal operation.

Remark Unless specified otherwise, the ratings of alternate-function pins are the same as those of port pins.

33.2 Capacitance**Capacitance ($T_A = 25^\circ\text{C}$, $V_{DD} = EV_{DD} = UV_{DD} = RV_{DD} = AV_{REF0} = AV_{REF1} = V_{SS} = EV_{SS} = AV_{SS} = 0\text{ V}$)**

Parameter	Symbol	Conditions	MIN.	TYP.	MAX.	Unit
I/O capacitance	C_{IO}	$f_x = 1\text{ MHz}$ Unmeasured pins returned to 0 V			10	pF

33.3 Operating Conditions

($T_A = -40$ to $+85^\circ\text{C}$, $V_{DD} = EV_{DD} = UV_{DD} = AV_{REF0} = AV_{REF1}$, $V_{SS} = EV_{SS} = AV_{SS} = 0\text{ V}$)

Operating Clock	Conditions	Supply Voltage					Unit
		V_{DD}	EV_{DD}	UV_{DD}	RV_{DD} ^{Notes1, 2}	AV_{REF0} , AV_{REF1}	
$f_{xx} = 16\text{ MHz}$ (main clock)	REGC = 4.7 μF , A/D converter operating, D/A converter operating, USB operating (UCLK is not used) , PLL mode	3.0 to 3.6	3.0 to 3.6	3.0 to 3.6	3.0 to 3.6	3.0 to 3.6	V
$f_{xx} = 10$ to 16 MHz (main clock)	REGC = 4.7 μF , A/D converter operating, D/A converter operating, USB operating (UCLK is used) , PLL mode						
$f_{xx} = 1.25$ ^{Note3} to 10 MHz (main clock)	REGC = 4.7 μF , A/D converter operating, D/A converter operating, USB operating (UCLK is used) , Clock-through mode						
$f_{xx} = 10$ to 20 MHz (main clock)	REGC = 4.7 μF , A/D converter operating, D/A converter operating, USB stopped, PLL mode	2.7 to 3.6	2.7 to 3.6	2.7 to 3.6	2.7 to 3.6	2.7 to 3.6	V
$f_{xx} = 2.5$ to 10 MHz (main clock)	REGC = 4.7 μF , A/D converter operating, D/A converter operating USB stopped Clock-through mode						V
$f_{xx} = 2.5$ to 5 MHz (main clock)	REGC = 4.7 μF , A/D converter stopped, D/A converter stopped, USB stopped, Clock-through mode	2.2 to 3.6	2.2 to 3.6	2.2 to 3.6	2.2 to 3.6	2.2 to 3.6	V
$f_{xx} = 1.25$ ^{Note3} to 2.5 MHz (main clock)	REGC = 4.7 μF , A/D converter stopped, D/A converter stopped, USB stopped, Clock-through mode	2.0 to 3.6	2.0 to 3.6	2.0 to 3.6	2.0 to 3.6	2.0 to 3.6	V
$f_{XT} = 32.768\text{ kHz}$ (subclock)	REGC = 4.7 μF , A/D converter stopped, D/A converter stopped, USB stopped	2.0 to 3.6	2.0 to 3.6	2.0 to 3.6	2.0 to 3.6	2.0 to 3.6	V
$f_{XT} = 32.768\text{ kHz}$ (subclock)	REGC = 4.7 μF , A/D converter stopped, D/A converter stopped, USB stopped, RTC backup mode	0 to 3.6	0 to 3.6	0 to 3.6	1.8 to 3.6	0 to 3.6	V

Notes1. RV_{DD} can be used as a separate potential without any need to set it to the same potential as other power supply voltages. Unless otherwise specified, use RV_{DD} in this way under the above operating condition.

- When connecting a diode between V_{DD} and RV_{DD} , be sure to take into account any drop in the voltage caused by the diode and adjust the V_{DD} voltage so that RV_{DD} does not fall below its lower limit.
- An operating clock of 1.25 MHz can only be specified when the CKTHSEL register is set to 1 (which specifies the clock-through frequency divided by 2).

Caution The operating conditions will not be satisfied if RV_{DD} falls below 1.8 V. In this case, therefore, be sure to initialize the RTC (by clearing the RC1CC0.RC1PWR bit (0)) once RV_{DD} is restored (to 1.8 V or higher) after having fallen below 1.8 V during operation.

Note that the RTC will be initialized if power is applied with $RV_{DD} = 0$.

33.4 Oscillator Characteristics

33.4.1 Main clock oscillator characteristics

(1) Main clock oscillator characteristics

($T_A = -40$ to $+85^\circ\text{C}$, $V_{DD} = EV_{DD} = UV_{DD} = AV_{REF0} = AV_{REF1}$, $V_{SS} = EV_{SS} = AV_{SS} = 0$ V)

Resonator	Circuit Example	Parameter	Conditions	MIN.	TYP.	MAX.	Unit			
Ceramic resonator/ Crystal resonator		Oscillation frequency (f_x) ^{Note 1}	Clock through mode	$V_{DD} = 2.0$ to 3.6 V	2.5		2.5	MHz		
				$V_{DD} = 2.2$ to 3.6 V	2.5		5	MHz		
				$V_{DD} = 2.7$ to 3.6 V	2.5		10	MHz		
			PLL mode ^{Note 2}	USB stop $V_{DD} = 2.7$ to 3.6 V	2.5		6	MHz		
				USB operating UCLK is not used $V_{DD} = 3.0$ to 3.6 V	6		6	MHz		
				USB operating UCLK is used $V_{DD} = 3.0$ to 3.6 V	2.5		6	MHz		
		Oscillation stabilization time ^{Note 3}			$V_{DD} = 2.0$ to 3.6 V immediately after reset ends	Note 4	Note 5		μs	
					After STOP mode is released	$V_{DD} = 2.0$ to 3.6 V in clock through mode	400 ^{Note 6}	Note 7		μs
						$V_{DD} = 2.7$ to 3.6 V in PLL mode	400 ^{Note 8}	Note 7		μs
					After IDLE2 mode is released	$V_{DD} = 2.0$ to 3.6 V in clock through mode	200 ^{Note 5}	Note 7		μs
$V_{DD} = 2.7$ to 3.6 V in PLL mode	400 ^{Note 8}	Note 7		μs						

Notes 1. The oscillation frequency shown above indicates only oscillator characteristics. Use the V850ES/JG3-L so that the internal operating conditions do not exceed the ratings shown in **AC Characteristics**, **DC Characteristics**, and **Operating Conditions**.

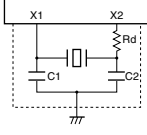
2. PLL setting for the oscillation frequency, see **33.4.3 PLL characteristics**.
3. The wait time required from when the resonator starts oscillating until oscillation stabilizes.
4. The oscillation stabilization time after reset release is restricted in accordance with the set value of the option byte. For details, see **CHAPTER 30 OPTION BYTE**.
5. The oscillation stabilization time differs depending on the set value of the option byte. For details, see **CHAPTER 30 OPTION BYTE**.
6. Time required to set up the regulator and flash memory. Secure the setup time using the OSTS register.
7. The value varies depending on the setting of the OSTS register.
8. Time required to set up the regulator, flash memory, and PLL. Secure the setup time using the OSTS register.

Caution 1. When using the main clock oscillator, wire as follows in the area enclosed by the broken lines in the above figure to avoid an adverse effect from wiring capacitance.

- Keep the wiring length as short as possible.
- Do not cross the wiring with the other signal lines.
- Do not route the wiring near a signal line through which a high fluctuating current flows.
- Always make the ground point of the oscillator capacitor the same potential as V_{SS} .
- Do not ground the capacitor to a ground pattern through which a high current flows.
- Do not fetch signals from the oscillator.

Caution 2. When the main clock is stopped and the device is operating on the subclock, wait until the oscillation stabilization time has been secured by the program before switching back to the main clock.

(a) KYOCERA KINSEKI CORPORATION: Crystal resonator ($T_A = -10$ to $+70^\circ\text{C}$)^{Note1}

Type	Circuit Example	Part Number	Oscillation Frequency f_x (MHz)	Load Capacitance (pF)	Recommended Circuit Constant			Oscillation Voltage Range		Oscillation Stabilization Time ^{Note2}
					C1 (pF)	C2 (pF)	Rd (Ω)	MIN. (V)	MAX. (V)	MAX. (ms)
Surface mounting		CX49GFNB, CX1255GB, CX8045GB	4.000	8	10	10	0	2.0	3.6	2.26
		CX49GFNB, CX1255GB, CX8045GB	5.000	8	10	10	0	2.0	3.6	1.61
		CX49GFNB, CX1255GB, CX8045GB	6.000	8	10	10	0	2.0	3.6	1.02
		CX49GFNB, CX1255GB, CX8045GB	8.000	8	10	10	0	2.0	3.6	0.87
		CX49GFNB, CX1255GB, CX8045GB	10.000	8	10	10	0	2.0	3.6	0.57
Lead		HC49SFNB	4.000	8	10	10	0	2.0	3.6	2.26
		HC49SFNB	5.000	8	10	10	0	2.0	3.6	1.61
		HC49SFNB	6.000	8	10	10	0	2.0	3.6	1.02
		HC49SFNB	8.000	8	10	10	0	2.0	3.6	0.87
		HC49SFNB	10.000	8	10	10	0	2.0	3.6	0.57

Notes1. Contact the resonator manufacturer regarding use at a temperature outside this range.

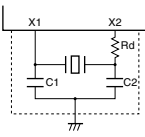
- 2.** The oscillation stabilization time is slightly longer when using the CX8045GB. Contact the resonator manufacturer for details.

Caution This oscillator constant is a reference value based on evaluation under a specific environment by the resonator manufacturer.

If optimization of oscillator characteristics is necessary in the actual application, apply to the resonator manufacturer for evaluation on the implementation circuit.

The oscillation voltage and oscillation frequency indicate only oscillator characteristics. Use the V850ES/JG3-L so that the internal operating conditions are within the specifications of the AC Characteristics, DC Characteristics, and Operating Conditions.

(b) Murata Mfg. Co. Ltd.: Ceramic resonator ($T_A = -20$ to $+80^\circ\text{C}$)^{Note}

Type	Circuit Example	Part Number	Oscillation Frequency f_x (MHz)	Recommended Circuit Constant			Oscillation Voltage Range		Oscillation Stabilization Time
				C1 (pF)	C2 (pF)	Rd (Ω)	MIN. (V)	MAX. (V)	MAX. (ms)
Surface mounting		CSTCC2M50G56-R0	2.500	(47)	(47)	2200	2.0	3.6	0.02
		CSTCR4M00G55-R0	4.000	(39)	(39)	680	2.0	3.6	0.02
		CSTCR5M00G55-R0	5.000	(39)	(39)	680	2.0	3.6	0.02
		CSTCR6M00G55-R0	6.000	(39)	(39)	470	2.0	3.6	0.02
		CSTCE8M00G55-R0	8.000	(33)	(33)	0	2.0	3.6	0.03
		CSTCE10M0G55-R0	10.000	(33)	(33)	0	2.0	3.6	0.03
Lead		CSTLS4M00G56-B0	4.000	(47)	(47)	680	2.0	3.6	0.02
		CSTLS5M00G56-B0	5.000	(47)	(47)	680	2.0	3.6	0.02
		CSTLS6M00G56-B0	6.000	(47)	(47)	470	2.0	3.6	0.02
		CSTLS8M00G56-B0	8.000	(47)	(47)	0	2.0	3.6	0.03
		CSTLS10M0G56-B0	10.000	(47)	(47)	0	2.1	3.6	0.03

Note Contact the resonator manufacturer regarding use at a temperature outside this range.

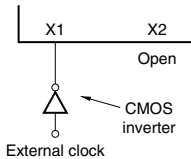
Caution This oscillator constant is a reference value based on evaluation under a specific environment by the resonator manufacturer.

If optimization of oscillator characteristics is necessary in the actual application, apply to the resonator manufacturer for evaluation on the implementation circuit.

The oscillation voltage and oscillation frequency indicate only oscillator characteristics. Use the V850ES/JG3-L so that the internal operating conditions are within the specifications of the AC characteristics, DC characteristics, and operating conditions.

Remark Figures in parentheses in columns C1 and C2 indicate the capacitance incorporated in the resonator.

(2) External clock**($T_A = -40$ to $+85^\circ\text{C}$, $V_{DD} = EV_{DD} = UV_{DD} = AV_{REF0} = AV_{REF1} = 2.7$ ^{Note1} to 3.6 V, $V_{SS} = EV_{SS} = AV_{SS} = 0$ V)**

Resonator	Circuit Example	Parameter	Conditions	MIN.	TYP.	MAX.	Unit
External clock		Input frequency (fx) ^{Note2}	USB stops Clock through mode	2.5		6	MHz
			USB stops PLL mode ^{Note3}	2.5		6	MHz
			USB operating (UCLK is not used) PLL mode ^{Note3}	6		6	MHz
			USB operating (UCLK is used) Clock through mode	2.5		6	MHz
			USB operating (UCLK is used) PLL mode ^{Note3}	2.5		6	MHz
		V_{IH}	X1	2.3		V_{DD}	V
		V_{IL}	X1	V_{SS}		0.4	V
Input waveform duty ratio	X1	45	50	55	%		

Notes1. When USB operating, MIN. 3.0 V

2. This input frequency indicates only X1 input clock circuit characteristics. Use the V850ES/JG3-L so that the internal operating conditions do not exceed the ratings shown in AC Characteristics.
3. PLL setting for the oscillation frequency, see **33. 4. 3 PLL characteristics**.

- Cautions**
1. Be sure to disconnect the internal feedback resistor after reset (set PCC.MFRC = 1).
 2. Leave the X2 pin open.
 3. Make sure that the CMOS inverter is as close to the X1 pin as possible.

33.4.2 Subclock oscillator characteristics

(T_A = -40 to +85°C, V_{DD} = EV_{DD} = UV_{DD} = AV_{REF0} = AV_{REF1} = 2.0 to 3.6 V, V_{SS} = EV_{SS} = AV_{SS} = 0 V)

Resonator	Circuit Example	Parameter	Conditions	MIN.	TYP.	MAX.	Unit
Crystal resonator		Oscillation frequency (f _{XT1}) ^{Note 1}		32	32.768	35	kHz
		Oscillation stabilization time ^{Note 2}				10	s

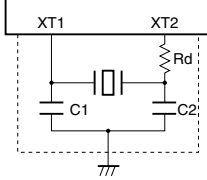
Notes 1. The oscillation frequency shown above indicates only oscillator characteristics. Use the V850ES/JG3-L so that the internal operation conditions do not exceed the ratings shown in **AC Characteristics**, **DC Characteristics**, and operating conditions.

2. Time required from when RV_{DD} reaches the oscillation voltage range (2.0 V (MIN.)) to when the crystal resonator stabilizes.

Cautions 1. When using the subclock oscillator, wire as follows in the area enclosed by the broken lines in the above figures to avoid an adverse effect from wiring capacitance.

- Keep the wiring length as short as possible.
 - Do not cross the wiring with the other signal lines.
 - Do not route the wiring near a signal line through which a high fluctuating current flows.
 - Always make the ground point of the oscillator capacitor the same potential as V_{SS}.
 - Do not ground the capacitor to a ground pattern through which a high current flows.
 - Do not fetch signals from the oscillator.
2. The subclock oscillator is designed as a low-amplitude circuit for reducing power consumption, and is more prone to malfunction due to noise than the main clock oscillator. Particular care is therefore required with the wiring method when the subclock is used.
3. For the resonator selection and oscillator constant, customers are requested to either evaluate the oscillation themselves or apply to the resonator manufacturer for evaluation.

(a) Seiko Instruments Inc.: Crystal resonator ($T_A = -40$ to $+85^\circ\text{C}$)**Oscillation frequency: $f_{XT} = 32.768$ kHz**

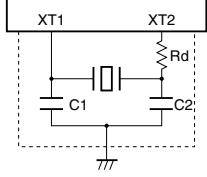
Type	Circuit Example	Part Number	Load Capacitance of Crystal Resonator (pF)	Recommended Circuit Constant			Oscillation Voltage Range	
				C1 (pF)	C2 (pF)	Rd (Ω)	MIN. (V)	MAX. (V)
Lead		VT-200-F	12.5	22	22	220	1.8	3.6

Caution This oscillator constant is a reference value based on evaluation under a specific environment by the resonator manufacturer.

If optimization of oscillator characteristics is necessary in the actual application, apply to the resonator manufacturer for evaluation on the implementation circuit.

The oscillation voltage and oscillation frequency indicate only oscillator characteristics. Use the V850ES/JG3-L so that the internal operating conditions are within the specifications of the AC characteristics, DC characteristics, and operating conditions.

(b) Citizen Miyota Co., Ltd.: Crystal resonator ($T_A = -40$ to $+85^\circ\text{C}$)**Oscillation frequency: $f_{XT} = 32.768$ kHz**

Type	Circuit Example	Part Number	Load Capacitance of Crystal Resonator (pF)	Recommended Circuit Constant			Oscillation Voltage Range	
				C1 (pF)	C2 (pF)	Rd (Ω)	MIN. (V)	MAX. (V)
Surface mounting		CMR200T	9	15	18	100	1.8	3.6

Caution This oscillator constant is a reference value based on evaluation under a specific environment by the resonator manufacturer.

If optimization of oscillator characteristics is necessary in the actual application, apply to the resonator manufacturer for evaluation on the implementation circuit.

The oscillation voltage and oscillation frequency indicate only oscillator characteristics. Use the V850ES/JG3-L so that the internal operating conditions are within the specifications of the AC characteristics, DC characteristics, and operating conditions.

33.4.3 PLL characteristics

($T_A = -40$ to $+85^\circ\text{C}$, $V_{DD} = EV_{DD} = UV_{DD} = AV_{REF0} = AV_{REF1} = 2.7^{\text{Note}}$ to 3.6 V, $V_{SS} = EV_{SS} = AV_{SS} = 0$ V)

Parameter	Symbol	Conditions	MIN.	TYP.	MAX.	Unit
Input frequency	f _x	×4	2.5		5	MHz
		×8, 1/3	6		6	MHz
Output frequency	f _{xx}	×4	10		20	MHz
		×8, 1/3	16		16	MHz
Lock time	t _{PLL}	After V _{DD} reaches 2.7 V (MIN.)			400	μs

Note When USB operating, MIN. 3.0 V

33.4.4 Internal oscillator characteristics

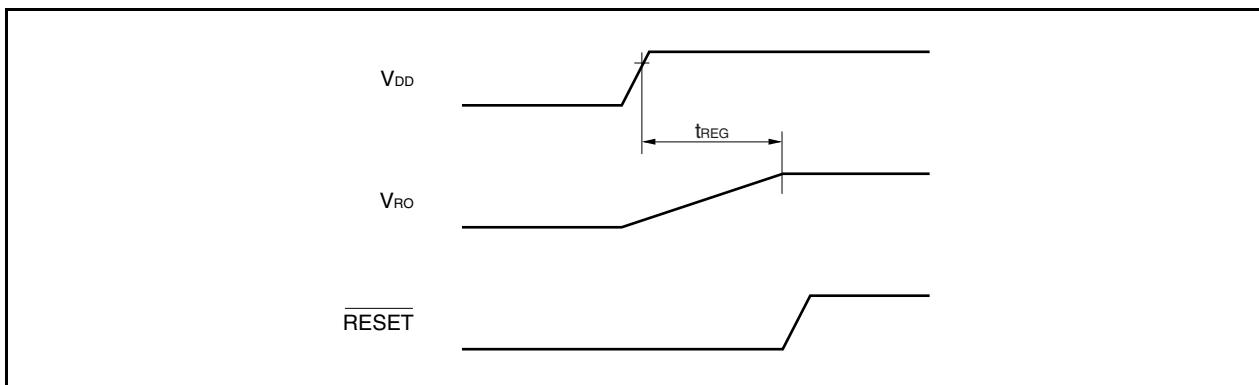
($T_A = -40$ to $+85^\circ\text{C}$, $V_{DD} = EV_{DD} = UV_{DD} = AV_{REF0} = AV_{REF1} = 2.0$ to 3.6 V, $V_{SS} = EV_{SS} = AV_{SS} = 0$ V)

Parameter	Symbol	Conditions	MIN.	TYP.	MAX.	Unit
Output frequency	f _R		100	220	400	kHz

33.5 Regulator Characteristics

($T_A = -40$ to $+85^\circ\text{C}$, $V_{DD} = EV_{DD} = UV_{DD} = AV_{REF0} = AV_{REF1}$, $V_{SS} = EV_{SS} = AV_{SS} = 0\text{ V}$)

Parameter	Symbol	Conditions	MIN.	TYP.	MAX.	Unit
Input voltage	V_{DD}	$f_{XX} = 20\text{ MHz (MAX.)}$	2.7		3.6	V
		$f_{XX} = 5\text{ MHz (MAX.)}$	2.2		3.6	V
		$f_{XX} = 2.5\text{ MHz (MAX.)}$	2.0		3.6	V
		Data retained (STOP mode)	1.9		3.6	V
Output voltage	V_{RO}	$V_{DD} = 2.7$ to 3.6 V		2.5		V
Regulator output stabilization time	t_{REG}	After V_{DD} reaches 2.7 V (MIN.), stabilization capacitance $C = 4.7\ \mu\text{F}$ (recommended value) connected to REGC pin			1	ms
		After V_{DD} reaches 2.2 V (MIN.), stabilization capacitance $C = 4.7\ \mu\text{F}$ (recommended value) connected to REGC pin			3.5	ms
		After V_{DD} reaches 2.0 V (MIN.), stabilization capacitance $C = 4.7\ \mu\text{F}$ (recommended value) connected to REGC pin			4.5	ms
External capacitance	REGC	Permissible error of external capacitance to be connected to REGC pin	3.76	4.70	5.64	μF



33.6 DC Characteristics

33.6.1 Pin characteristics

($T_A = -40$ to $+85^\circ\text{C}$, $V_{DD} = EV_{DD} = UV_{DD} = AV_{REF0} = AV_{REF1} = 2.0$ to 3.6 V, $V_{SS} = EV_{SS} = AV_{SS} = 0$ V) (1/2)

Parameter	Symbol	Conditions	MIN.	TYP.	MAX.	Unit
Input voltage, high	V_{IH1}	RESET, FLMD0, P97 to P915	$0.8EV_{DD}$		EV_{DD}	V
	V_{IH2}	P02 to P06, P30 to P32, P36, P37, P42, P50 to P55, P92 to P96	$0.8EV_{DD}$		5.5	V
	V_{IH3}	P38, P39, P40, P41, P90, P91	$0.7EV_{DD}$		5.5	V
	V_{IH4}	PCM0 to PCM3, PCT0, PCT1, PCT4, PCT6, PDH0 to PDH4, PDL0 to PDL15	$0.7EV_{DD}$		EV_{DD}	V
	V_{IH5}	P70 to P711	$0.7AV_{REF0}$		AV_{REF0}	V
	V_{IH6}	P10, P11	$0.7AV_{REF1}$		AV_{REF1}	V
	V_{IH7}	UDMF, UDPF	2.0		UV_{DD}	V
Input voltage, low	V_{IL1}	RESET, FLMD0, P97 to P915	EV_{SS}		$0.2EV_{DD}$	V
	V_{IL2}	P02 to P06, P30 to P32, P36, P37, P42, P50 to P55, P92 to P96	EV_{SS}		$0.2EV_{DD}$	V
	V_{IL3}	P38, P39, P40, P41, P90, P91	EV_{SS}		$0.3EV_{DD}$	V
	V_{IL4}	PCM0 to PCM3, PCT0, PCT1, PCT4, PCT6, PDH0 to PDH4, PDL0 to PDL15	EV_{SS}		$0.3EV_{DD}$	V
	V_{IL5}	P70 to P711	AV_{SS}		$0.3AV_{REF0}$	V
	V_{IL6}	P10, P11	AV_{SS}		$0.3AV_{REF1}$	V
	V_{IH7}	UDMF, UDPF	V_{SS}		$0.3UV_{DD}$	V
Input leakage current, high	I_{LIH}	$V_I = V_{DD} = EV_{DD} = AV_{REF0} = AV_{REF1}$			5	μA
Input leakage current, low	I_{LIL}	$V_I = 0$ V			-5	μA
Output leakage current, high	I_{LOH}	$V_O = V_{DD} = EV_{DD} = AV_{REF0} = AV_{REF1}$			5	μA
Output leakage current, low	I_{LOL}	$V_O = 0$ V			-5	μA

Remark Unless specified otherwise, the characteristics of alternate-function pins are the same as those of port pins.

(T_A = -40 to +85°C, V_{DD} = EV_{DD} = UV_{DD} = AV_{REF0} = AV_{REF1} = 2.0 to 3.6 V, V_{SS} = EV_{SS} = AV_{SS} = 0 V) (2/2)

Parameter	Symbol	Conditions		MIN.	TYP.	MAX.	Unit		
Output voltage, high	V _{OH1}	P02 to P06, P30 to P32, P36 to P39, P40 to P42, P50 to P55, P90 to P915, PDH4	Per pin I _{OH} = -1.0 mA	Total of all pins -20 mA	EV _{DD} - 1.0		EV _{DD}	V	
			Per pin I _{OH} = -100 μ A	Total of all pins -3.8 mA	EV _{DD} - 0.5		EV _{DD}	V	
	V _{OH2}	PCM0 to PCM3, PCT0, PCT1, PCT4, PCT6, PDH0 to PDH3, PDL0 to PDL15	Per pin I _{OH} = -1.0 mA	Total of all pins -20 mA	EV _{DD} - 1.0		EV _{DD}	V	
			Per pin I _{OH} = -100 μ A	Total of all pins -2.8 mA	EV _{DD} - 0.5		EV _{DD}	V	
	V _{OH3}	P70 to P711	Per pin I _{OH} = -0.4 mA	Total of all pins -4.8 mA	AV _{REF0} - 1.0		AV _{REF0}	V	
			Per pin I _{OH} = -100 μ A	Total of all pins -1.2 mA	AV _{REF0} - 0.5		AV _{REF0}	V	
	V _{OH4}	P10, P11	Per pin I _{OH} = -0.4 mA	Total of all pins -0.8 mA	AV _{REF1} - 1.0		AV _{REF1}	V	
			Per pin I _{OH} = -100 μ A	Total of all pins -0.2 mA	AV _{REF1} - 0.5		AV _{REF1}	V	
	V _{OH5}	UDMF, UDPF	Per pin I _{OH} = -1.0 mA	Total of all pins -2 mA	UV _{DD} - 1.0		UV _{DD}	V	
			Per pin I _{OH} = -100 μ A	Total of all pins -200 μ A	UV _{DD} - 0.5		UV _{DD}	V	
	Output voltage, low	V _{OL1}	P02 to P06, P30 to P32, P36 to P39, P42, P50 to P55, P92 to P915, PDH4	Per pin I _{OL} = 1.0 mA	Total of all pins 20 mA	0		0.4	V
				Per pin I _{OL} = 3.0 mA		0		0.4	V
V _{OL2}		P38, P39, P40, P41, P90, P91	Per pin I _{OL} = 3.0 mA		0		0.4	V	
V _{OL3}		PCM0 to PCM3, PCT0, PCT1, PCT4, PCT6, PDH0 to PDH3, PDL0 to PDL15	Per pin I _{OL} = 1.0 mA	Total of all pins 20 mA	0		0.4	V	
			Per pin I _{OL} = 3.0 mA		0		0.4	V	
V _{OL4}		P10, P11, P70 to P711	Per pin I _{OL} = 0.4 mA	Total of all pins 5.6 mA	0		0.4	V	
V _{OL5}	UDMF, UDPF	Per pin I _{OL} = 3.0 mA	Total of all pins 6 mA	0		0.4	V		
Software pull-down resistor ^{Note}	R ₁	P05	V _I = V _{DD}		10	20	100	k Ω	

Note DRST pin only (controlled by OCDM register)

- Remarks 1.** Unless specified otherwise, the characteristics of alternate-function pins are the same as those of port pins.
- 2.** When the I_{OH} and I_{OL} conditions are not satisfied for a pin but the total value of all pins is satisfied, only that pin does not satisfy the DC characteristics.

33.6.2 Supply current characteristics

(T_A = -40 to +85°C, V_{DD} = EV_{DD} = UV_{DD} = AV_{REF0} = AV_{REF1}, V_{SS} = EV_{SS} = AV_{SS} = 0 V)

Parameter	Symbol	Conditions	MIN.	TYP. ^{Note 1}	MAX. ^{Note 2}	Unit	
Supply current ^{Note 4}	I _{DD1}	Normal operation	f _{XX} = 20 MHz (f _X = 5 MHz) ^{Note 3} , USB stopped		14	25	mA
			f _{XX} = 16 MHz (f _X = 6 MHz) ^{Note 3} , USB operation		22	34	mA
			f _{XX} = 10 MHz (f _X = 10 MHz), PLL off ^{Note 3} , USB stopped		6	10	mA
	I _{DD2}	HALT mode	f _{XX} = 20 MHz (f _X = 5 MHz) ^{Note 3} , USB stopped		7.5	14	mA
			f _{XX} = 16 MHz (f _X = 6 MHz) ^{Note 3} , USB operation		17	24	mA
	I _{DD3}	IDLE1 mode	f _{XX} = 5 MHz (f _X = 5 MHz), PLL off ^{Note 3}		0.6	1	mA
			f _{XX} = 6 MHz (f _X = 6 MHz), PLL off ^{Note 3}		0.7	1.1	mA
	I _{DD4}	IDLE2 mode	f _{XX} = 5 MHz (f _X = 5 MHz), PLL off ^{Note 3}		0.28	0.5	mA
			f _{XX} = 6 MHz (f _X = 6 MHz), PLL off ^{Note 3}		0.29	0.52	mA
	I _{DD5}	Subclock operation mode	f _{XT} = 32.768 kHz, main clock stopped, internal oscillator stopped, PLL off ^{Note 3} REGOVL0 = 02H (low-voltage subclock operation mode), CSIBn stopped ^{Note 5} , UAR _{TA0} stopped ^{Note 5}		18		μA
I _{DD6}	Sub-IDLE mode	f _{XT} = 32.768 kHz, main clock stopped, internal oscillator stopped, PLL off REGOVL0 = 02H (low-voltage sub-IDLE mode), CSIBn stopped ^{Note 5} , UAR _{TA0} stopped ^{Note 5}		3.5	50	μA	
I _{DD7}	STOP mode	Subclock stopped, internal oscillator stopped, REGOVL0 = 01H (low-voltage STOP mode), T _A = 25°C		1.5	3.0	μA	
		Subclock stopped, internal oscillator stopped, REGOVL0 = 01H (low-voltage STOP mode), T _A = 85°C			45	μA	
		Subclock operating, internal oscillator stopped, REGOVL0 = 01H (low-voltage STOP mode) ^{Note 3} , CSIBn stopped ^{Note 5} , UAR _{TA0} stopped ^{Note 5}		3.5	50	μA	
I _{DD8}	Self programming mode	f _{XX} = 20 MHz (f _X = 5 MHz)		14	24	mA	
LVI current	I _{LVI}			1.2	3	μA	
WDT, internal oscillation current	I _{WDT}			5		μA	
RTC back-up mode ^{Note 4}	I _{RTC}	RTC backup mode	Subclock operating, T _A = 70°C, RV _{DD} voltage, V _{DD} = 0 V		1	μA	

- Notes**
1. TYP. current is a value at V_{DD} = EV_{DD} = RV_{DD} = 3.3 V, T_A = 25°C. The TYP. value is not a value guaranteed for each device.
 2. MAX. current is a value at which the characteristic in question is at the worst-case value at V_{DD} = EV_{DD} = RV_{DD} = 3.6 V, T_A = -40 to +85°C.
 3. TYP. value indicates the current value when "RTC" or "watch timer + TMM (count by watch timer interrupt)" operate as peripheral functions. MAX. value indicates the current value when all the functions operable in a range in which the pin status is not changed operate as peripheral functions. However, I_{LVI} and I_{WDT} are excluded.
 4. Total of V_{DD}, EV_{DD} and RV_{DD} (When USB operating, including UV_{DD}) currents. Currents I_{LVI} and I_{WDT} flowing through the output buffers, A/D converter, D/A converter, and on-chip pull-down resistor are not included.
 5. CSIBn and UAR_{TA0} can be operated using SCKBn and ASCKA0 respectively, but the target spec is the current value when CSIBn and UAR_{TA0} are stopped.

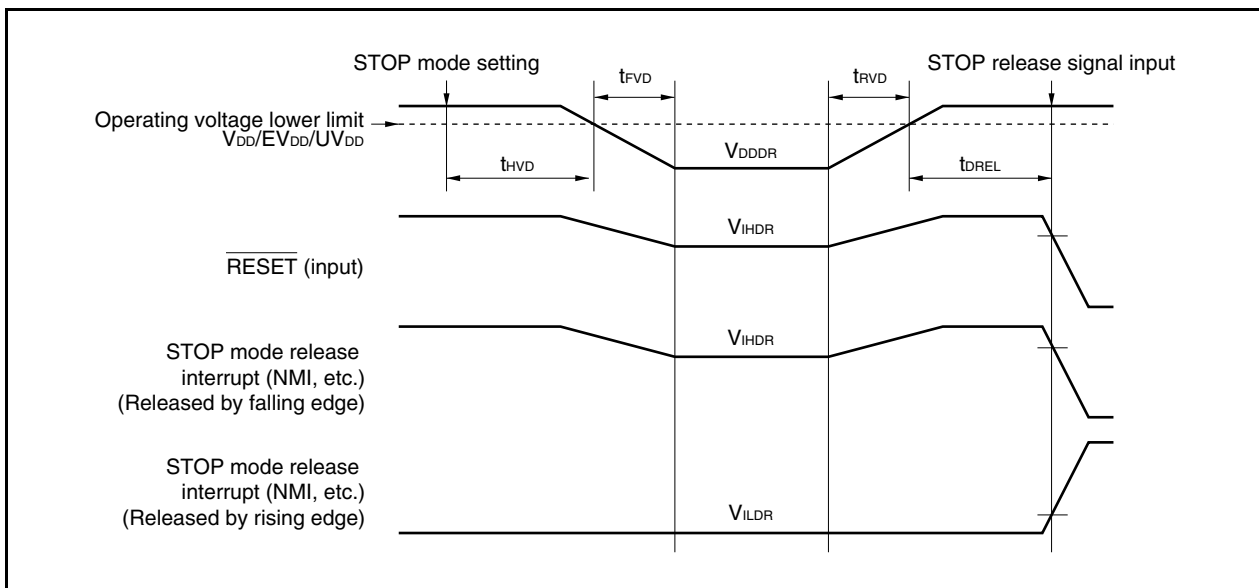
Remark For details about the operating voltage, see 33.3 Operating Conditions.

33.6.3 Data retention characteristics (in STOP mode)

($T_A = -40$ to $+85^\circ\text{C}$, $V_{DD} = EV_{DD} = UV_{DD} = AV_{REF0} = AV_{REF1}$, $V_{SS} = EV_{SS} = AV_{SS} = 0$ V)

Parameter	Symbol	Conditions	MIN.	TYP.	MAX.	Unit
Data retention voltage	V_{DDDR}	STOP mode (all functions stopped)	1.9		3.6	V
Data retention current	I_{DDDR}	Subclock stopped, internal oscillator stopped $T_A = 85^\circ\text{C}$			45	μA
Supply voltage rise time	t_{RVD}		200			μs
Supply voltage fall time	t_{FVD}		200			μs
Supply voltage retention time	t_{HVD}	After STOP mode setting	0			ms
STOP release signal input time	t_{DREL}	After V_{DD} reaches the operating voltage MIN. (see 33.3 Operating Conditions)	0			ms
Data retention input voltage, high	V_{IHDR}	$V_{DD} = EV_{DD} = UV_{DD} = V_{DDDR}$	$0.9V_{DDDR}$		V_{DDDR}	V
Data retention input voltage, low	V_{ILDR}	$V_{DD} = EV_{DD} = UV_{DD} = V_{DDDR}$	0		$0.1V_{DDDR}$	V

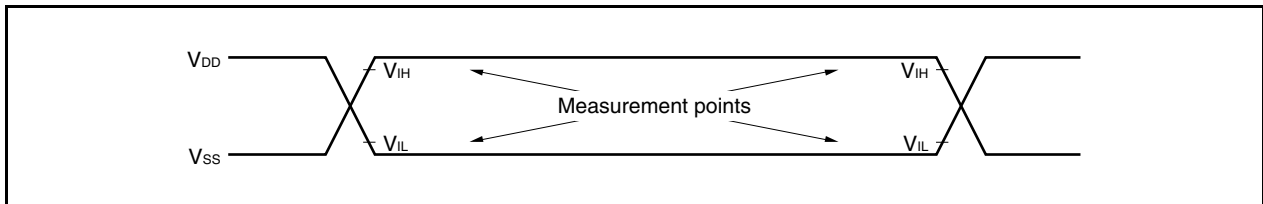
Caution Shifting to STOP mode and restoring from STOP mode must be performed within the rated operating range.



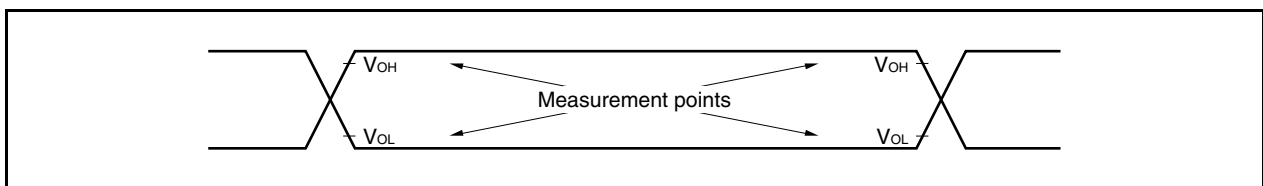
33.7 AC Characteristics

33.7.1 Measurement conditions

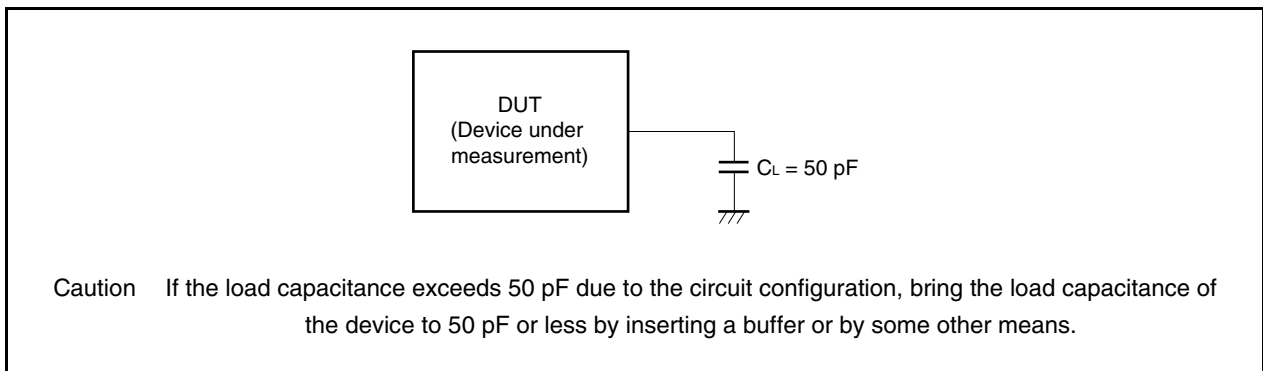
(1) AC test input measurement points



(2) AC test output measurement points



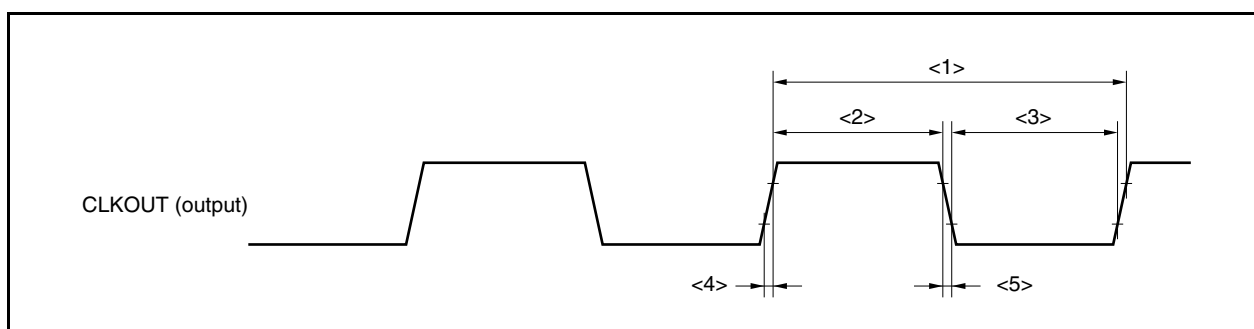
(3) Load conditions



33.7.2 CLKOUT output timing

($T_A = -40$ to $+85^\circ\text{C}$, $V_{DD} = EV_{DD} = UV_{DD} = AV_{REF0} = AV_{REF1} = 2.7$ to 3.6 V, $V_{SS} = EV_{SS} = AV_{SS} = 0$ V, $C_L = 50$ pF)

Parameter	Symbol	Conditions	MIN.	MAX.	Unit
Output cycle	t_{CYK}	<1>	50 ns	31.25 μs	
High-level width	t_{WKH}	<2>	$t_{CYK}/2 - 10$		ns
Low-level width	t_{WKL}	<3>	$t_{CYK}/2 - 10$		ns
Rise time	t_{KR}	<4>		10	ns
Fall time	t_{KF}	<5>		10	ns



33.7.3 Bus timing

The values for just the access method to be used (synchronous with or asynchronous to CLKOUT) must be satisfied. It is not necessary to satisfy the values for both methods.

(1) In multiplexed bus mode

(a) Read/write cycle (Asynchronous to CLKOUT)

($T_A = -40$ to $+85^\circ\text{C}$, $V_{DD} = EV_{DD} = UV_{DD} = AV_{REF0} = AV_{REF1} = 2.7$ to 3.6 V, $V_{SS} = EV_{SS} = AV_{SS} = 0$ V, $C_L = 50$ pF)

Parameter	Symbol	Conditions	MIN.	MAX.	Unit
Address setup time (to $ASTB\downarrow$)	t_{SAST}	<6>	$(0.5 + t_{ASW})T - 20$		ns
Address hold time (from $ASTB\downarrow$)	t_{HSTA}	<7>	$(0.5 + t_{AHW})T - 15$		ns
Delay time from $\overline{RD}\downarrow$ to address float	t_{FRDA}	<8>		10	ns
Data input setup time from address	t_{SAID}	<9>		$(2 + n + t_{ASW} + t_{AHW})T - 35$	ns
Data input setup time from $\overline{RD}\downarrow$	t_{SRID}	<10>		$(1 + n)T - 25$	ns
Delay time from $ASTB\downarrow$ to RD , $WRm\downarrow$	$t_{DSTRDWR}$	<11>	$(0.5 + t_{AHW})T - 15$		ns
Data input hold time (from $\overline{RD}\uparrow$)	t_{HRDID}	<12>	0		ns
Address output time from $\overline{RD}\uparrow$	t_{DRDA}	<13>	$(1 + i)T - 15$		ns
Delay time from \overline{RD} , $WRm\uparrow$ to $ASTB\uparrow$	$t_{DRDWRST}$	<14>	$0.5T - 15$		ns
Delay time from $\overline{RD}\uparrow$ to $ASTB\downarrow$	t_{DRDST}	<15>	$(1.5 + i + t_{ASW})T - 15$		ns
RD , WRm low-level width	$t_{WRDWRRL}$	<16>	$(1 + n)T - 15$		ns
$ASTB$ high-level width	t_{WSTH}	<17>	$(1 + i + t_{ASW})T - 15$		ns
Data output time from $WRm\downarrow$	t_{DWROD}	<18>		15	ns
Data output setup time (to $WRm\uparrow$)	t_{SODWR}	<19>	$(1 + n)T - 20$		ns
Data output hold time (from $WRm\uparrow$)	t_{HWROD}	<20>	$T - 15$		ns
\overline{WAIT} setup time (to address)	t_{SAWT1}	<21>	$n \geq 1$	$(1.5 + t_{ASW} + t_{AHW})T - 35$	ns
	t_{SAWT2}	<22>		$(1.5 + n + t_{ASW} + t_{AHW})T - 35$	ns
\overline{WAIT} hold time (from address)	t_{HAWT1}	<23>	$n \geq 1$	$(0.5 + n + t_{ASW} + t_{AHW})T$	ns
	t_{HAWT2}	<24>		$(1.5 + n + t_{ASW} + t_{AHW})T$	ns
\overline{WAIT} setup time (to $ASTB\downarrow$)	t_{SSTWT1}	<25>	$n \geq 1$	$(1 + t_{AHW})T - 25$	ns
	t_{SSTWT2}	<26>		$(1 + n + t_{AHW})T - 25$	ns
\overline{WAIT} hold time (from $ASTB\downarrow$)	t_{HSTWT1}	<27>	$n \geq 1$	$(n + t_{AHW})T$	ns
	t_{HSTWT2}	<28>		$(1 + n + t_{AHW})T$	ns
Address hold time from $\overline{RD}\uparrow$	t_{HRDA2}	<29>		$(1 + i)T - 15$	ns
Address hold time from $WRm\uparrow$	t_{HWRA2}	<30>		$T - 15$	ns

Remarks 1. t_{ASW} : Number of address setup wait clocks (0 or 1)

t_{AHW} : Number of address hold wait clocks (0 or 1)

2. $T = 1/f_{CPU}$ (f_{CPU} : CPU operating clock frequency)

3. n : Number of wait clocks inserted in the bus cycle

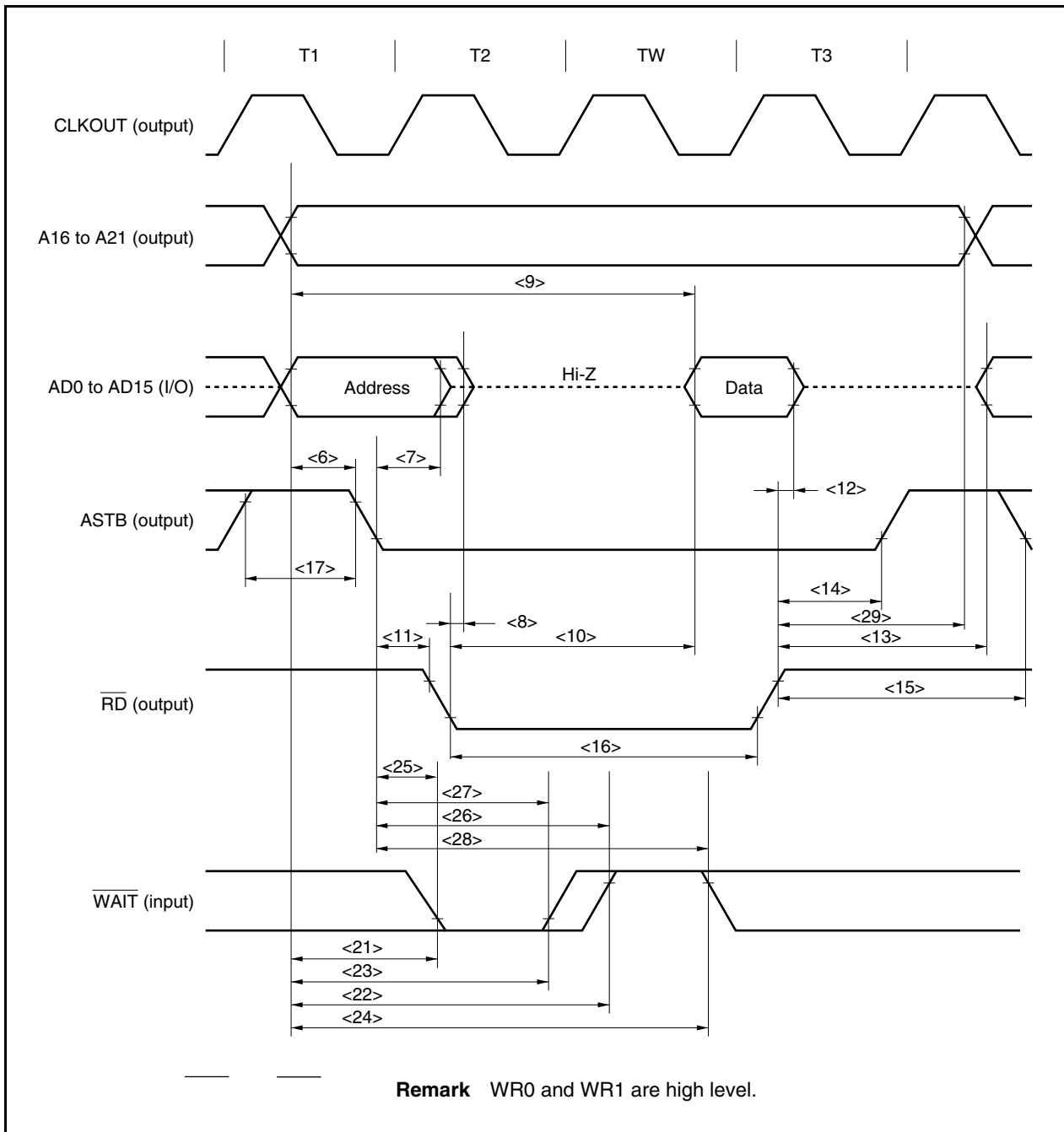
The sampling timing changes when a programmable wait is inserted.

4. $m = 0, 1$

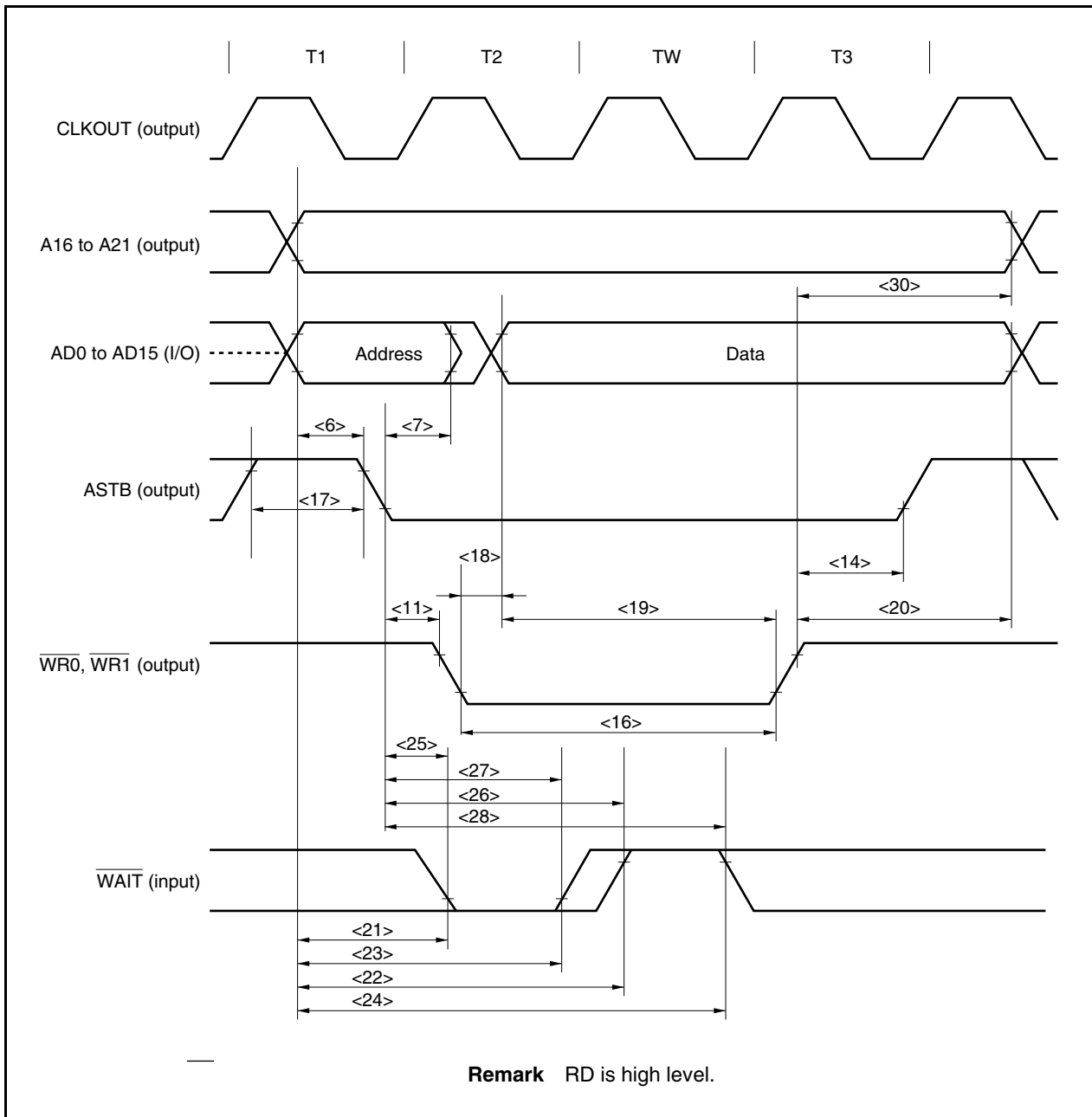
5. i : Number of idle states inserted after a read cycle (0 or 1)

6. The values in the above specifications are values for when clocks with a 1:1 duty ratio are input from X1.

Read Cycle (Asynchronous to CLKOUT): In Multiplexed Bus Mode



Write Cycle (Asynchronous to CLKOUT): In Multiplexed Bus Mode



(b) Read/write cycle (Synchronous with CLKOUT): In Multiplexed Bus Mode

($T_A = -40$ to $+85^\circ\text{C}$, $V_{DD} = EV_{DD} = UV_{DD} = AV_{REF0} = AV_{REF1} = 2.7$ to 3.6 V, $V_{SS} = EV_{SS} = AV_{SS} = 0$ V, $C_L = 50$ pF)

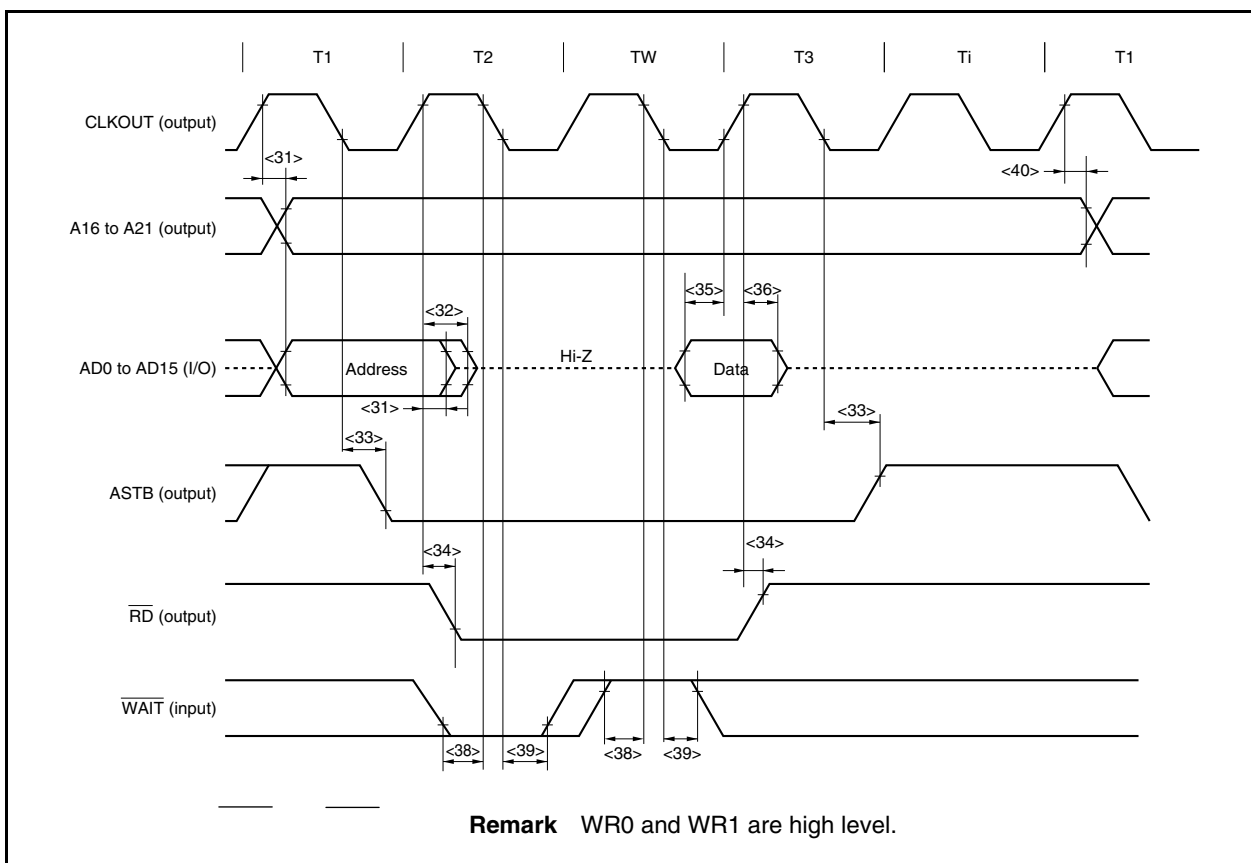
Parameter	Symbol	Conditions	MIN.	MAX.	Unit
Delay time from CLKOUT \uparrow to address	t_{DKA}	<31>	0	25	ns
Delay time from CLKOUT \uparrow to address float	t_{FKA}	<32>	0	19	ns
Delay time from CLKOUT \downarrow to ASTB	t_{DKST}	<33>	-12	7	ns
Delay time from CLKOUT \uparrow to \overline{RD} , \overline{WRm}	t_{DKRDWR}	<34>	-5	14	ns
Data input setup time (to CLKOUT \uparrow)	t_{SIDK}	<35>	15		ns
Data input hold time (from CLKOUT \uparrow)	t_{HKID}	<36>	5		ns
Data output delay time from CLKOUT \uparrow	t_{DKOD}	<37>		19	ns
\overline{WAIT} setup time (to CLKOUT \downarrow)	t_{SWTK}	<38>	20		ns
\overline{WAIT} hold time (from CLKOUT \downarrow)	t_{HKWT}	<39>	5		ns
Address hold time from CLKOUT \uparrow	t_{HKA2}	<40>	0	25	ns
Data output hold time from CLKOUT \uparrow	t_{HKDW}	<41>	0		ns
Address hold time from CLKOUT \uparrow	t_{HKA1}	<42>	0		ns

Remarks 1. $m = 0, 1$

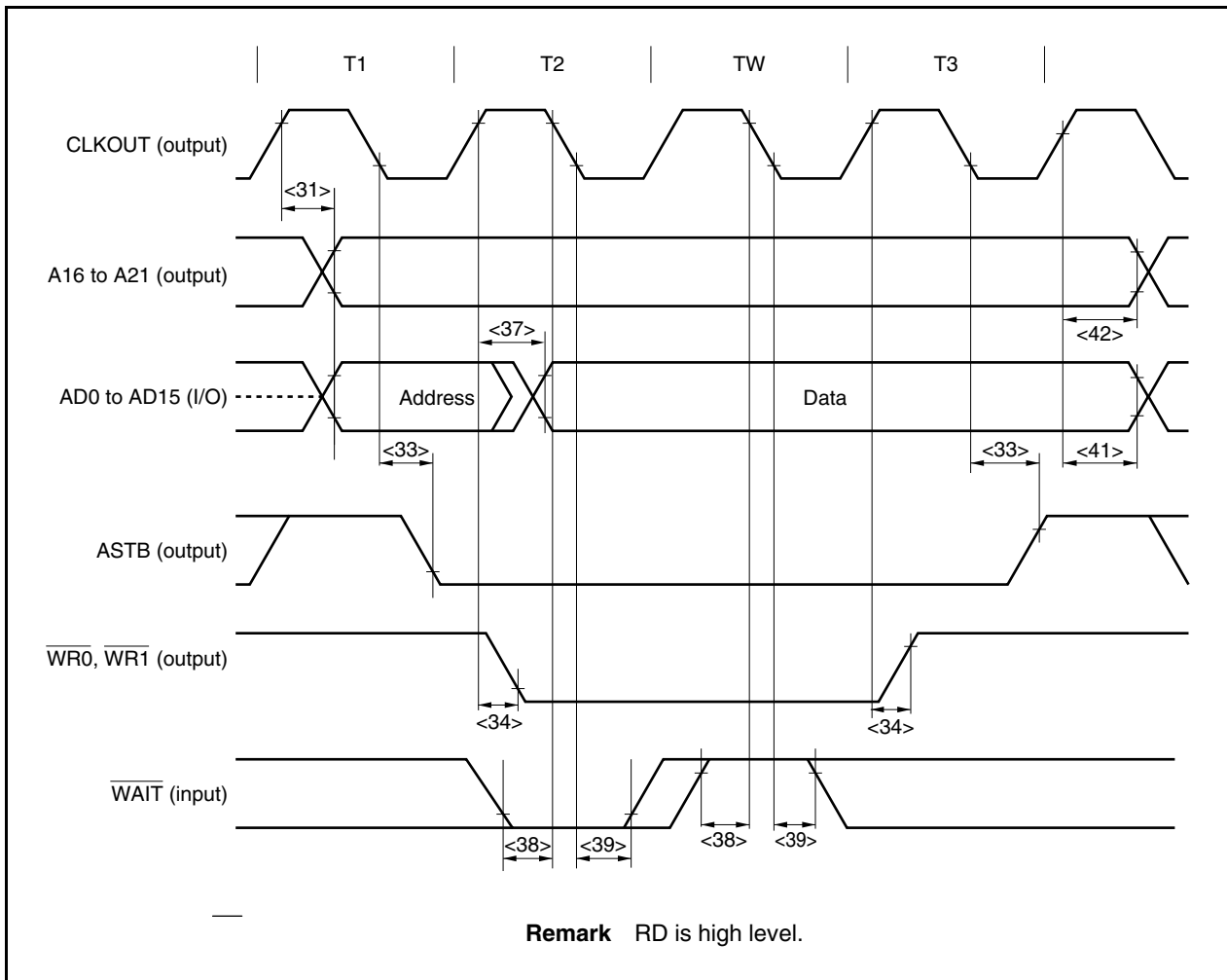
2. The values in the above specifications are values for when clocks with a 1:1 duty ratio are input from X1.

3. For details about the CLKOUT output timing, see **33.7.2 CLKOUT output timing**.

Read Cycle (Synchronous with CLKOUT): In Multiplexed Bus Mode



Write Cycle (Synchronous with CLKOUT): In Multiplexed Bus Mode



(2) Bus hold

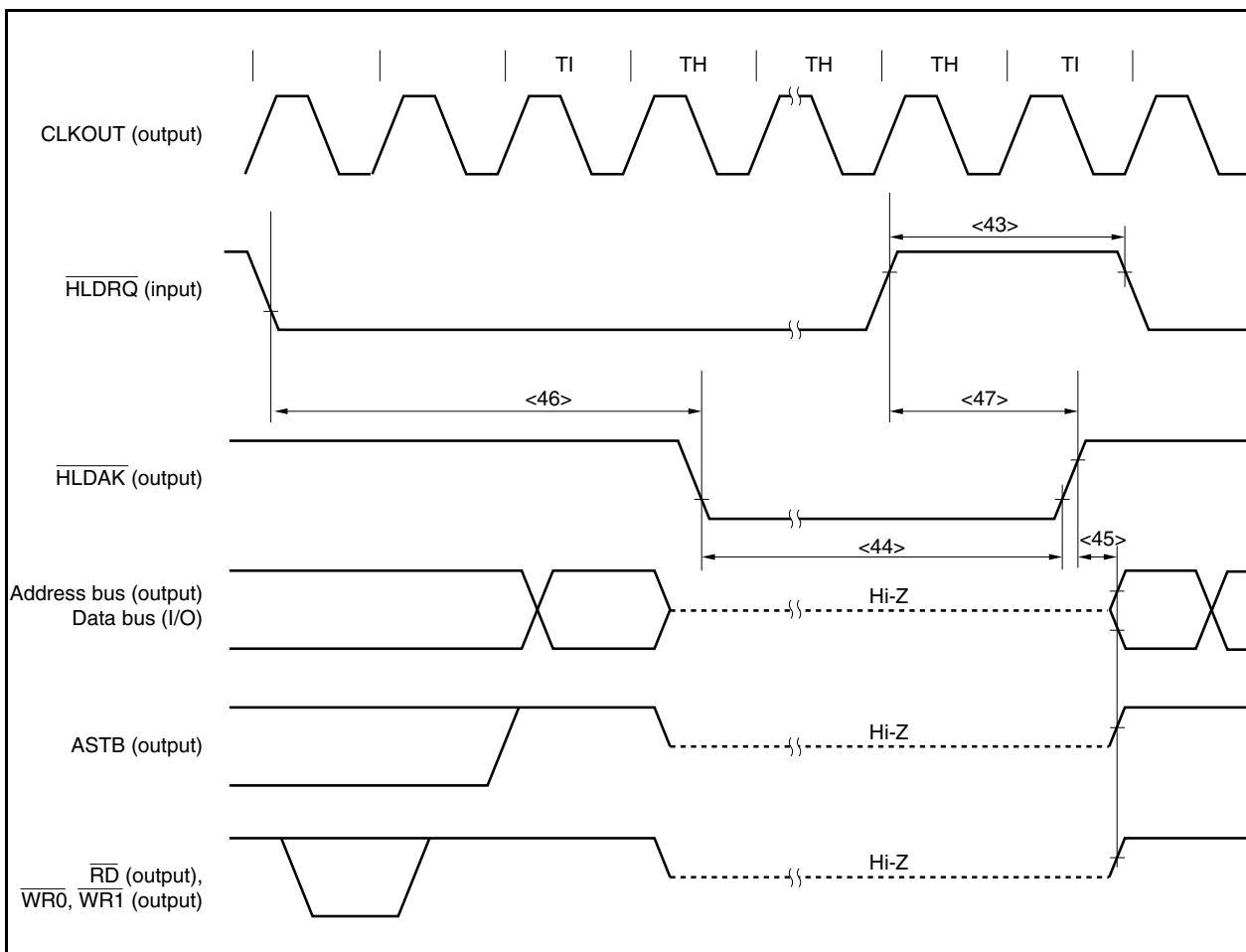
(a) Asynchronous to CLKOUT

($T_A = -40$ to $+85^\circ\text{C}$, $V_{DD} = EV_{DD} = UV_{DD} = AV_{REF0} = AV_{REF1} = 2.7$ to 3.6 V, $V_{SS} = EV_{SS} = AV_{SS} = 0$ V, $C_L = 50$ pF)

Parameter	Symbol	Conditions	MIN.	MAX.	Unit
$\overline{\text{HLDRQ}}$ high-level width	t_{WHQH}	<43>	$T + 10$		ns
$\overline{\text{HLDAK}}$ low-level width	t_{WHAL}	<44>	$T - 15$		ns
Delay time from $\overline{\text{HLDAK}}\uparrow$ to bus output	t_{DHAC}	<45>	-3		ns
Delay time from $\overline{\text{HLDRQ}}\downarrow$ to $\overline{\text{HLDAK}}\downarrow$	t_{DHQHA1}	<46>		$(2n + 7.5)T + 26$	ns
Delay time from $\overline{\text{HLDRQ}}\uparrow$ to $\overline{\text{HLDAK}}\uparrow$	t_{DHQHA2}	<47>	$0.5T$	$1.5T + 26$	ns

- Remarks**
- $T = 1/f_{\text{CPU}}$ (f_{CPU} : CPU operating clock frequency)
 - n : Number of wait clocks inserted in the bus cycle
The sampling timing changes when a programmable wait is inserted.
 - The values in the above specifications are values for when clocks with a 1:1 duty ratio are input from X1.

Bus Hold (Asynchronous to CLKOUT)



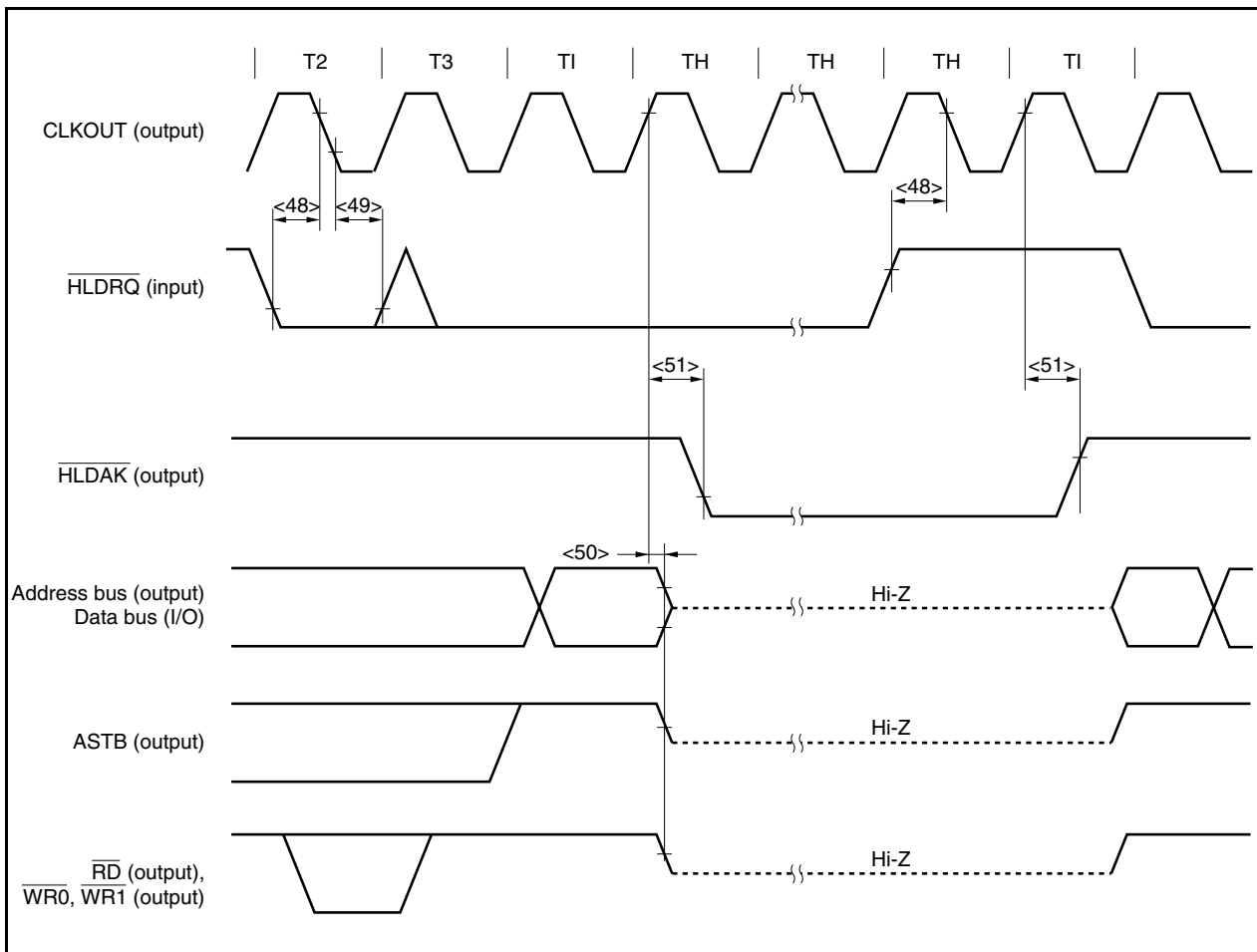
(b) Synchronous with CLKOUT

($T_A = -40$ to $+85^\circ\text{C}$, $V_{DD} = EV_{DD} = UV_{DD} = AV_{REF0} = AV_{REF1} = 2.7$ to 3.6 V, $V_{SS} = EV_{SS} = AV_{SS} = 0$ V, $C_L = 50$ pF)

Parameter	Symbol	Conditions	MIN.	MAX.	Unit
H $\overline{\text{LDRQ}}$ setup time (to CLKOUT \downarrow)	t_{SHQK}	<48>	20		ns
H $\overline{\text{LDRQ}}$ hold time (from CLKOUT \downarrow)	t_{HKHQ}	<49>	5		ns
Delay time from CLKOUT \uparrow to bus float	t_{DKF}	<50>		19	ns
Delay time from CLKOUT \uparrow to H $\overline{\text{LDAK}}$	t_{DKHA}	<51>		19	ns

- Remarks 1.** The values in the above specifications are values for when clocks with a 1:1 duty ratio are input from X1.
2. For details about the CLKOUT output timing, see **33.7.2 CLKOUT output timing**.

Bus Hold (Synchronous with CLKOUT)



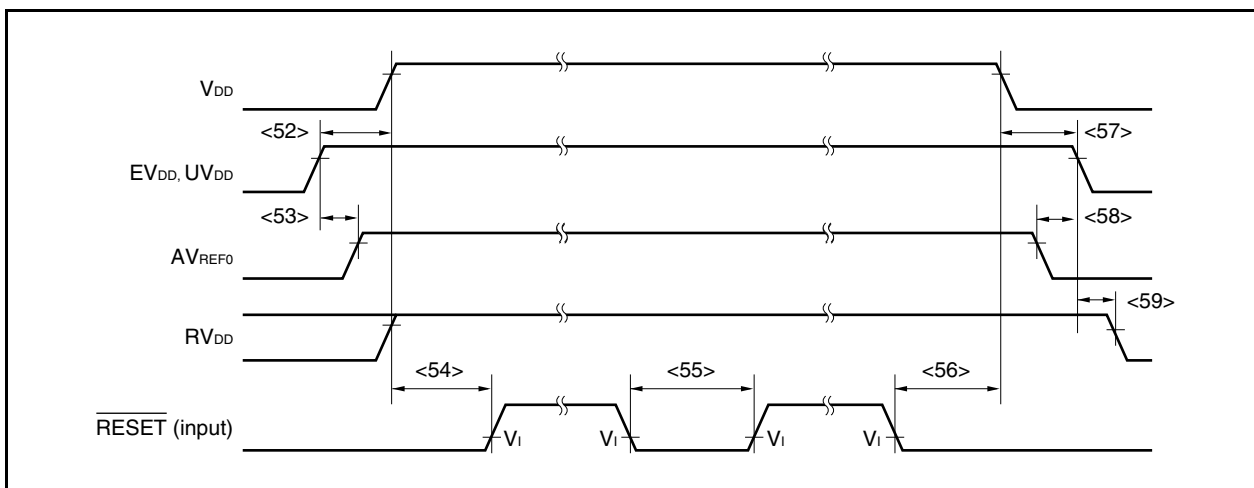
33.7.4 Power on/power off/reset timing

($T_A = -40$ to $+85^\circ\text{C}$, $V_{DD} = EV_{DD} = UV_{DD} = AV_{REF0} = AV_{REF1} = RV_{DD} = 2.0$ to 3.6 V, $V_{SS} = EV_{SS} = AV_{SS} = 0$ V, $C_L = 50$ pF)

Parameter	Symbol	Conditions	MIN.	MAX.	Unit
$EV_{DD}\uparrow \rightarrow V_{DD}\uparrow$	t_{REL}	<52>	0		ns
$EV_{DD}\uparrow \rightarrow AV_{REF0}, AV_{REF1}\uparrow$	t_{REA}	<53>	0	t_{REL}	ns
$V_{DD}\uparrow \rightarrow \overline{RESET}\uparrow$	t_{RER}	<54>	$500 + t_{REG}^{Note}$		ns
\overline{RESET} low-level width	t_{WRSL}	<55>	500		ns
$\overline{RESET}\downarrow \rightarrow V_{DD}\downarrow$	t_{FRE}	<56>	500		ns
$V_{DD}\downarrow \rightarrow EV_{DD}\downarrow$	t_{FEL}	<57>	0		ns
$AV_{REF0}\downarrow \rightarrow EV_{DD}\downarrow$	t_{FEA}	<58>	0	t_{FEL}	ns
$EV_{DD}\downarrow \rightarrow RV_{DD}\downarrow$	t_{FERV}	<59>	0		ns

Note See 33.5 Regulator Characteristics.

- Remarks**
1. The \overline{RESET} pin has an analog noise elimination function.
 2. When apply RV_{DD} , set RV_{DD} level so that it meets the specification of V_{DD} positive slew rate (RV_{DDPSR}) in **33. 8. 10 RTC back-up mode characteristics**. When ending the reset period by inputting a signal from the \overline{RESET} pin, make sure that RV_{DD} has risen.



33.8 Peripheral Function Characteristics

33.8.1 Interrupt timing

($T_A = -40$ to $+85^\circ\text{C}$, $V_{DD} = EV_{DD} = UV_{DD} = AV_{REF0} = AV_{REF1} = 2.0$ to 3.6 V, $V_{SS} = EV_{SS} = AV_{SS} = 0$ V, $C_L = 50$ pF)

Parameter	Symbol	Conditions	MIN.	MAX.	Unit
NMI high-level width	t_{WNIH}		500		ns
NMI low-level width	t_{WNIL}		500		ns
INTPn ^{Note} high-level width	t_{WITH}	n = 0 to 7 (Analog noise elimination)	500		ns
		n = 3 (Digital noise elimination)	$3T_{SMP} + 20$		ns
INTPn ^{Note} low-level width	t_{WITL}	n = 0 to 7 (Analog noise elimination)	500		ns
		n = 3 (Digital noise elimination)	$3T_{SMP} + 20$		ns

Note The characteristics of INTPn is the same as the \overline{DRST} pin (P05/INTP2/ \overline{DRST}).

Remarks 1. T_{SMP} : Noise elimination sampling clock cycle

2. The NMI and INTPn pins have the analog noise elimination function (n = 0 to 7).

33.8.2 Key return timing

($T_A = -40$ to $+85^\circ\text{C}$, $V_{DD} = EV_{DD} = UV_{DD} = AV_{REF0} = AV_{REF1} = 2.0$ to 3.6 V, $V_{SS} = EV_{SS} = AV_{SS} = 0$ V, $C_L = 50$ pF)

Parameter	Symbol	Conditions	MIN.	MAX.	Unit
KRn high-level width	t_{WKRH}		500		ns
KRn low-level width	t_{WKRL}		500		ns

Remarks 1. n = 0 to 7

2. The KRn pin has an analog noise elimination function.

33.8.3 Timer timing

($T_A = -40$ to $+85^\circ\text{C}$, $V_{DD} = EV_{DD} = UV_{DD} = AV_{REF0} = AV_{REF1} = 2.0$ to 3.6 V, $V_{SS} = EV_{SS} = AV_{SS} = 0$ V, $C_L = 50$ pF)

Parameter	Symbol	Conditions	MIN.	MAX.	Unit
TI high-level width	t_{TIH}	TIP00, TIP20, TIP21, TIP30, TIP31, TIP40,	$2T + 20$		ns
TI low-level width	t_{TIL}	TIP41, TIP50, TIP51, TIQ00 to TIQ03			

Remark $T = 1/f_{xx}$

33.8.4 UART timing

(T_A = -40 to +85°C, V_{DD} = EV_{DD} = UV_{DD} = AV_{REF0} = AV_{REF1}, V_{SS} = EV_{SS} = AV_{SS} = 0 V, C_L = 50 pF)

Parameter	Symbol	Conditions	MIN.	MAX.	Unit
Transmit rate		V _{DD} = 2.0 to 3.6 V		625	kbps
ASCK0 frequency		V _{DD} = 2.0 to 3.6 V		2.5	MHz
		V _{DD} = 2.2 to 3.6 V		5	MHz
		V _{DD} = 2.7 to 3.6 V		10	MHz

33.8.5 CSIB timing

(1) Master mode

(T_A = -40 to +85°C, V_{DD} = EV_{DD} = UV_{DD} = AV_{REF0} = AV_{REF1}, V_{SS} = EV_{SS} = AV_{SS} = 0 V, C_L = 50 pF)

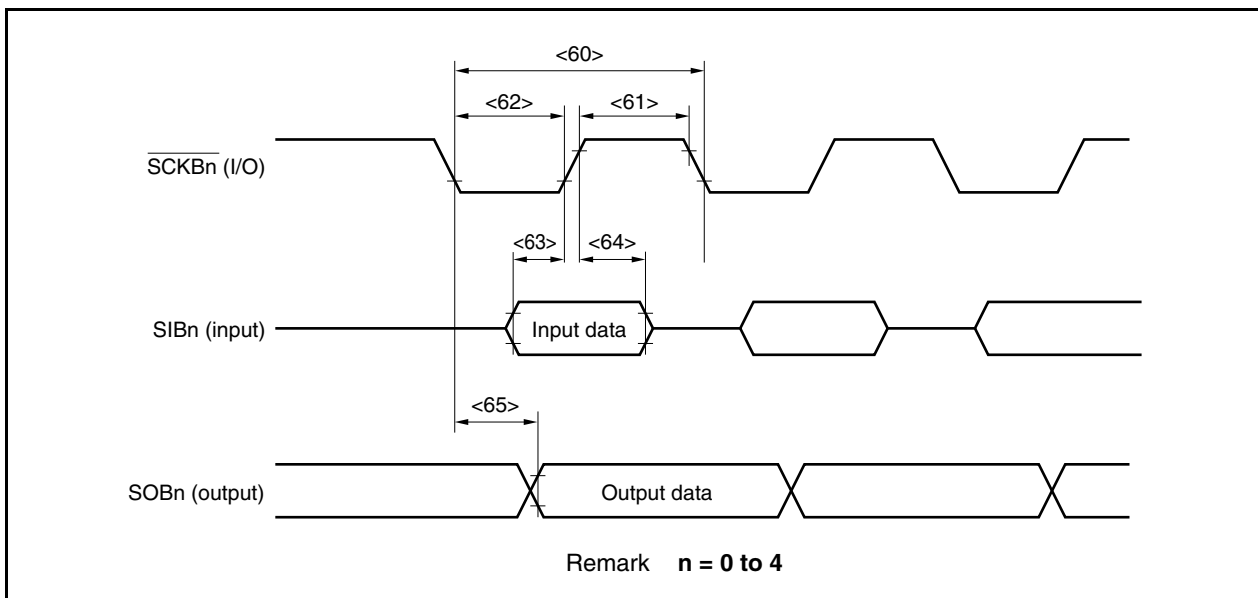
Parameter	Symbol	Conditions	MIN.	MAX.	Unit
SCKBn cycle time	t _{KCY1}	<60> 2.7 V ≤ V _{DD} ≤ 3.6 V	125		ns
		2.0 V ≤ V _{DD} < 2.7 V	800		ns
SCKBn high-level width	t _{KH1}	<61> 2.7 V ≤ V _{DD} ≤ 3.6 V	t _{KCY1} /2 - 8		ns
		2.0 V ≤ V _{DD} < 2.7 V	t _{KCY1} /2 - 80		ns
SCKBn low-level width	t _{KL1}	<62> 2.7 V ≤ V _{DD} ≤ 3.6 V	t _{KCY1} /2 - 8		ns
		2.0 V ≤ V _{DD} < 2.7 V	t _{KCY1} /2 - 80		ns
SIBn setup time (to SCKBn↑)	t _{SIK1}	<63> 2.7 V ≤ V _{DD} ≤ 3.6 V	27		ns
		2.0 V ≤ V _{DD} < 2.7 V	100		ns
SIBn hold time (from SCKBn↑)	t _{KSH1}	<64> 2.7 V ≤ V _{DD} ≤ 3.6 V	27		ns
		2.0 V ≤ V _{DD} < 2.7 V	100		ns
Delay time from SCKBn↓ to SOBn output	t _{KSO1}	<65> 2.7 V ≤ V _{DD} ≤ 3.6 V		27	ns
		2.0 V ≤ V _{DD} < 2.7 V		95	ns

Remark n = 0 to 4

(2) Slave mode

(T_A = -40 to +85°C, V_{DD} = EV_{DD} = UV_{DD} = AV_{REF0} = AV_{REF1}, V_{SS} = EV_{SS} = AV_{SS} = 0 V, C_L = 50 pF)

Parameter	Symbol	Conditions	MIN.	MAX.	Unit
SCKBn cycle time	t _{KCY2}	<60> 2.7 V ≤ V _{DD} ≤ 3.6 V	125		ns
		2.0 V ≤ V _{DD} < 2.7 V	800		ns
SCKBn high-level width	t _{KH2}	<61> 2.0 V ≤ V _{DD} ≤ 3.6 V	54.5		ns
SCKBn low-level width	t _{KL2}	<62> 2.0 V ≤ V _{DD} ≤ 3.6 V	54.5		ns
SIBn setup time (to SCKBn↑)	t _{SIK2}	<63> 2.7 V ≤ V _{DD} ≤ 3.6 V	27		ns
		2.0 V ≤ V _{DD} < 2.7 V	100		ns
SIBn hold time (from SCKBn↑)	t _{KS12}	<64> 2.7 V ≤ V _{DD} ≤ 3.6 V	27		ns
		2.0 V ≤ V _{DD} < 2.7 V	100		ns
Delay time from SCKBn↓ to SOBn output	t _{KSO2}	<65> 2.7 V ≤ V _{DD} ≤ 3.6 V		27	ns
		2.0 V ≤ V _{DD} < 2.7 V		95	ns

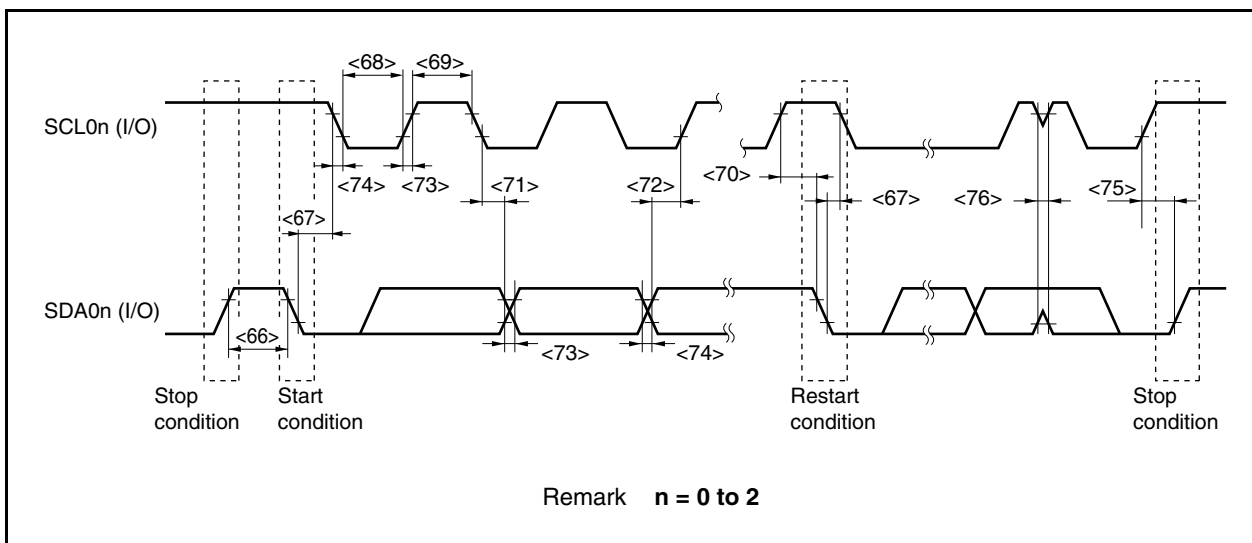
Remark n = 0 to 4

33.8.6 I²C bus mode(T_A = -40 to +85°C, V_{DD} = EV_{DD} = UV_{DD} = AV_{REF0} = AV_{REF1} = 2.0 to 3.6 V, V_{SS} = EV_{SS} = AV_{SS} = 0 V)

Parameter	Symbol		Normal Mode		High-Speed Mode		Unit	
			MIN.	MAX.	MIN.	MAX.		
SCL0n clock frequency	f _{CLK}		0	100	0	400	kHz	
Bus free time (Between start and stop conditions)	t _{BUF}	<66>	4.7	–	1.3	–	μs	
Hold time ^{Note 1}	t _{HD:STA}	<67>	4.0	–	0.6	–	μs	
SCL0n clock low-level width	t _{LOW}	<68>	4.7	–	1.3	–	μs	
SCL0n clock high-level width	t _{HIGH}	<69>	4.0	–	0.6	–	μs	
Setup time for start/restart conditions	t _{SU:STA}	<70>	4.7	–	0.6	–	μs	
Data hold time	CBUS compatible master	t _{HD:DAT}	<71>	5.0	–	–	–	μs
	I ² C mode			0 ^{Note 2}	–	0 ^{Note 2}	0.9 ^{Note 3}	μs
Data setup time	t _{SU:DAT}	<72>	250	–	100 ^{Note 4}	–	ns	
SDA0n and SCL0n signal rise time	t _R	<73>	–	1000	20 + 0.1Cb ^{Note 5}	300	ns	
SDA0n and SCL0n signal fall time	t _F	<74>	–	300	20 + 0.1Cb ^{Note 5}	300	ns	
Stop condition setup time	t _{SU:STO}	<75>	4.0	–	0.6	–	μs	
Pulse width of spike suppressed by input filter	t _{SP}	<76>	–	–	0	50	ns	
Capacitance load of each bus line	Cb		–	400	–	400	pF	

- Notes**
- At the start condition, the first clock pulse is generated after the hold time.
 - The system requires a minimum of 300 ns hold time internally for the SDA0n signal (at V_{IHmin.} of SCL0n signal) in order to occupy the undefined area at the falling edge of SCL0n.
 - If the system does not extend the SCL0n signal low hold time (t_{LOW}), only the maximum data hold time (t_{HD:DAT}) needs to be satisfied.
 - The high-speed mode I²C bus can be used in the normal-mode I²C bus system. In this case, set the high-speed mode I²C bus so that it meets the following conditions.
 - If the system does not extend the SCL0n signal's low state hold time:
t_{SU:DAT} ≥ 250 ns
 - If the system extends the SCL0n signal's low state hold time:
Transmit the following data bit to the SDA0n line prior to the SCL0n line release (t_{Rmax.} + t_{SU:DAT} = 1,000 + 250 = 1,250 ns: Normal mode I²C bus specification).
 - Cb: Total capacitance of one bus line (unit: pF)

Remark n = 0 to 2

I²C Bus Timing

33.8.7 A/D converter

($T_A = -40$ to $+85^\circ\text{C}$, $V_{DD} = EV_{DD} = UV_{DD} = AV_{REF0} = AV_{REF1}$, $2.7\text{ V} \leq AV_{REF0} = AV_{REF1} \leq 3.6\text{ V}$, $V_{SS} = EV_{SS} = AV_{SS} = 0\text{ V}$, $C_L = 50\text{ pF}$)

Parameter	Symbol	Conditions	MIN.	TYP.	MAX.	Unit
Resolution					10	bit
Overall error ^{Note}		$2.7\text{ V} \leq AV_{REF0} \leq 3.6\text{ V}$			± 0.6	%FSR
A/D conversion time	t_{CONV}	$3.0\text{ V} \leq AV_{REF0} \leq 3.6\text{ V}$	2.6		24	μs
		$2.7\text{ V} \leq AV_{REF0} \leq 3.0\text{ V}$	3.9		24	μs
Zero scale error					± 0.5	%FSR
Full scale error					± 0.5	%FSR
Non-linearity error					± 4.0	LSB
Differential linearity error					± 4.0	LSB
Analog input voltage	V_{IAN}		AV_{SS}		AV_{REF0}	V
Reference voltage	AV_{REF0}		2.7		3.6	V
AV_{REF0} current	AI_{REF0}	Normal conversion mode		3	6.5	mA
		High-speed conversion mode		4	10	mA
		When A/D converter unused			5	μA

Note Excluding quantization error ($\pm 0.05\%$ FSR).

Caution Do not set (read/write) alternate-function ports during A/D conversion; otherwise the conversion resolution may be degraded.

Remark LSB: Least Significant Bit
FSR: Full Scale Range

33.8.8 D/A converter

($T_A = -40$ to $+85^\circ\text{C}$, $V_{DD} = EV_{DD} = UV_{DD} = AV_{REF0} = AV_{REF1}$, $V_{SS} = EV_{SS} = AV_{SS} = 0\text{ V}$)

Parameter	Symbol	Conditions	MIN.	TYP.	MAX.	Unit
Resolution					8	bit
Overall error		$R = 2\text{ M}\Omega$			± 1.2	%FSR
Settling time		$C = 20\text{ pF}$			3	μs
Output resistor	R_o	Output data 55H		6.42		$\text{k}\Omega$
Reference voltage	AV_{REF1}		2.7		3.6	V
AV_{REF1} current ^{Note}	AI_{REF1}	D/A conversion operating		1	2.5	mA
		D/A conversion stopped			5	μA

Note Value of 1 channel of D/A converter

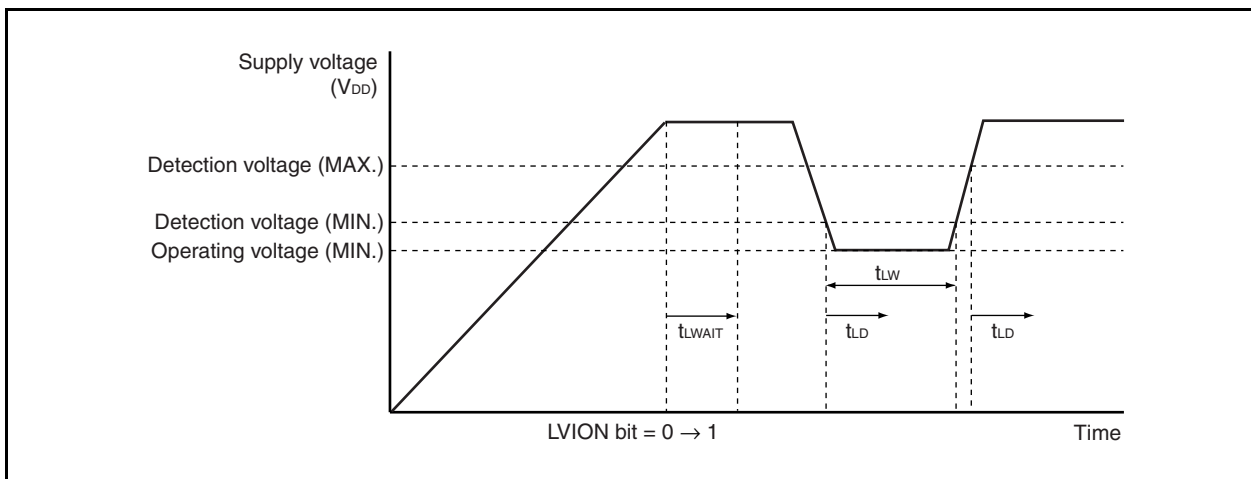
Remark R is the output pin load resistance and C is the output pin load capacitance.

33.8.9 LVI circuit characteristics

($T_A = -40$ to $+85^\circ\text{C}$, $V_{DD} = EV_{DD} = UV_{DD} = AV_{REF0} = AV_{REF1} = 2.0$ to 3.6 V , $V_{SS} = EV_{SS} = AV_{SS} = 0\text{ V}$, $C_L = 50\text{ pF}$)

Parameter	Symbol	Conditions	MIN.	TYP.	MAX.	Unit
Detection voltage	V_{LV10}		2.7	2.8	2.9	V
	V_{LV11}		2.2	2.3	2.4	V
	V_{LV12}		2.0	2.1	2.2	V
Response time ^{Note}	t_{LD}	At rising edge: After V_{DD} reaches $V_{LV10}/V_{LV11}/V_{LV12}/V_{LV13}$ (MAX.) At falling edge: After V_{DD} has dropped to $V_{LV10}/V_{LV11}/V_{LV12}/V_{LV13}$ (MIN.)		0.2	2.0	ms
Minimum pulse width	t_{LW}	$V_{DD} = V_{LV10}/V_{LV11}/V_{LV12}/V_{LV13}$ (MIN.)	0.2			ms
Reference voltage stabilization wait time	t_{LWAIT}	After V_{DD} reaches $V_{LV10}/V_{LV11}/V_{LV12}/V_{LV13}$ (MAX.)		0.1	0.2	ms

Note Time required to detect the detection voltage and output an interrupt or reset signal.



33.8.10 RTC back-up mode characteristics**(1) V_{DD} Power-down timing**

(T_A = -40 to +85°C, V_{DD} = EV_{DD} = UV_{DD} = AV_{REF0} = AV_{REF1} = 2.0 V to 3.6 V, RV_{DD} = 1.8 V to 3.6 V, V_{SS} = EV_{SS} = AV_{SS} = 0V, C_L = 50 pF)

Parameter	Symbol	Conditions	MIN.	TYP.	MAX.	Unit
V _{DD} negative slew rate	V _{DDNSR1}	When using RTC backup mode, and setting the LVI detection level to 2.80 ± 0.10 V			0.2	V/ms
	V _{DDNSR2}	When using RTC backup mode, and setting the LVI detection level to 2.30 ± 0.10 V			0.07	V/ms

(2) RV_{DD} Power-up timing

(T_A = -40 to +85°C, V_{DD} = EV_{DD} = UV_{DD} = AV_{REF0} = AV_{REF1} = 2.0 V to 3.6 V, RV_{DD} = 1.8 V to 3.6 V, V_{SS} = EV_{SS} = AV_{SS} = 0V, C_L = 50 pF)

Parameter	Symbol	Conditions	MIN.	TYP.	MAX.	Unit
RV _{DD} positive slew rate	RV _{DDPSR}		3.0			V/s

(3) Regulator output voltage for RTC backup area (VCH)

(T_A = -40 to +85°C, V_{DD} = EV_{DD} = UV_{DD} = AV_{REF0} = AV_{REF1} = 2.0 V to 3.6 V, RV_{DD} = 2.0 V to 3.6 V, V_{SS} = EV_{SS} = AV_{SS} = 0V, C_L = 50 pF)

Parameter	Symbol	Conditions	MIN.	TYP.	MAX.	Unit
Regulator output voltage for RTC backup area (VCH)	VCH		0.8		1.8	V

(4) VCH setup time

(T_A = -40 to +85°C, V_{DD} = EV_{DD} = AV_{REF0} = AV_{REF1} = 2.0 V to 3.6 V, RV_{DD} = 2.0 V to 3.6 V, V_{SS} = EV_{SS} = AV_{SS} = 0V, C_L = 50 pF)

Parameter	Symbol	Conditions	MIN.	TYP.	MAX.	Unit
VCH setup time	t _{SPOR}	The time from when RV _{DD} reaches the maximum amplitude (V _{DD} = 2.0 to 3.6 V) until VCH is stable			4.5	ms

33.9 Flash Memory Programming Characteristics

(1) Basic characteristics

($T_A = -40$ to $+85^\circ\text{C}$, $V_{DD} = EV_{DD} = UV_{DD} = AV_{REF0} = AV_{REF1} = 2.7$ to 3.6 V, $V_{SS} = EV_{SS} = AV_{SS} = 0$ V, $C_L = 50$ pF)

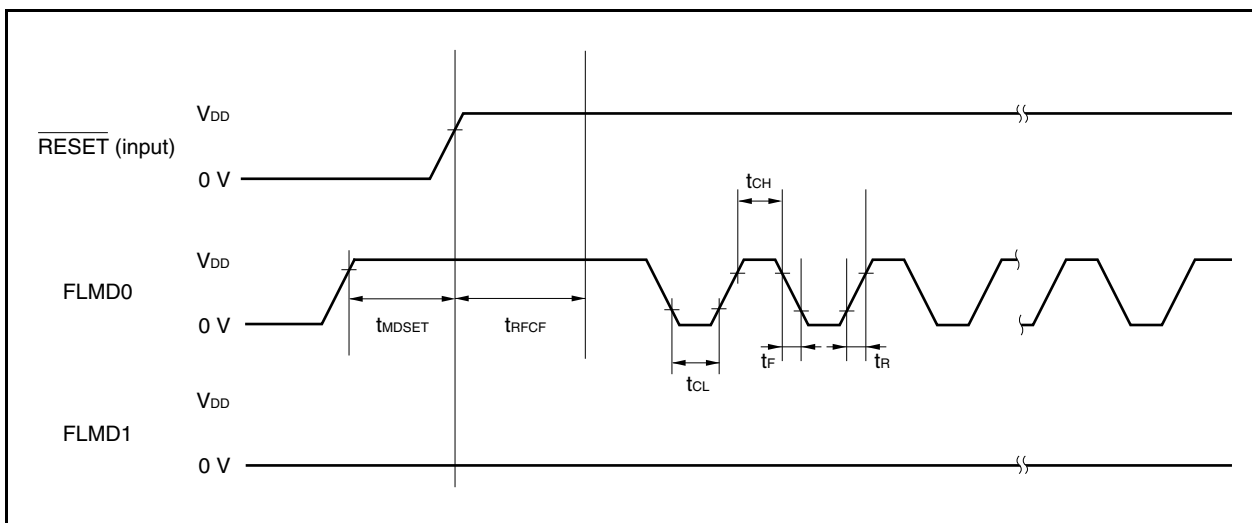
Parameter	Symbol	Conditions	MIN.	TYP.	MAX.	Unit	
Operating frequency	f_{CPU}		2.5		20	MHz	
Supply voltage	V_{DD}	$2.5 \text{ MHz} \leq f_{xx} \leq 20 \text{ MHz}$	2.7		3.6	V	
Number of rewrites	C_{WRT}	Used for updating programs When using flash memory programmer and Renesas Electronics self programming library	Retained for 15 years	1,000			times
		Used for updating data When using Renesas Electronics EEPROM emulation library (usable ROM size: 12 KB of 3 consecutive blocks)	Retained for 5 years	10,000			times
Programming temperature	t_{PRG}		-40		+85	$^\circ\text{C}$	

(2) Serial write operation characteristics

($T_A = -40$ to $+85^\circ\text{C}$, $V_{DD} = EV_{DD} = UV_{DD} = AV_{REF0} = AV_{REF1} = 2.7$ to 3.6 V, $V_{SS} = EV_{SS} = AV_{SS} = 0$ V, $C_L = 50$ pF)

Parameter	Symbol	Conditions	MIN.	TYP.	MAX.	Unit
FLMD0, FLMD1 setup time	t_{MDSET}		2		3000	ms
FLMD0 count start time from RESET \uparrow	t_{RFCF}	$f_x = 2.5$ to 10 MHz	800			μs
FLMD0 counter high-level width/ low-level width	t_{CH}/t_{CL}		10		100	μs
FLMD0 counter rise time/fall time	t_R/t_F				1	μs

Flash write mode setup timing



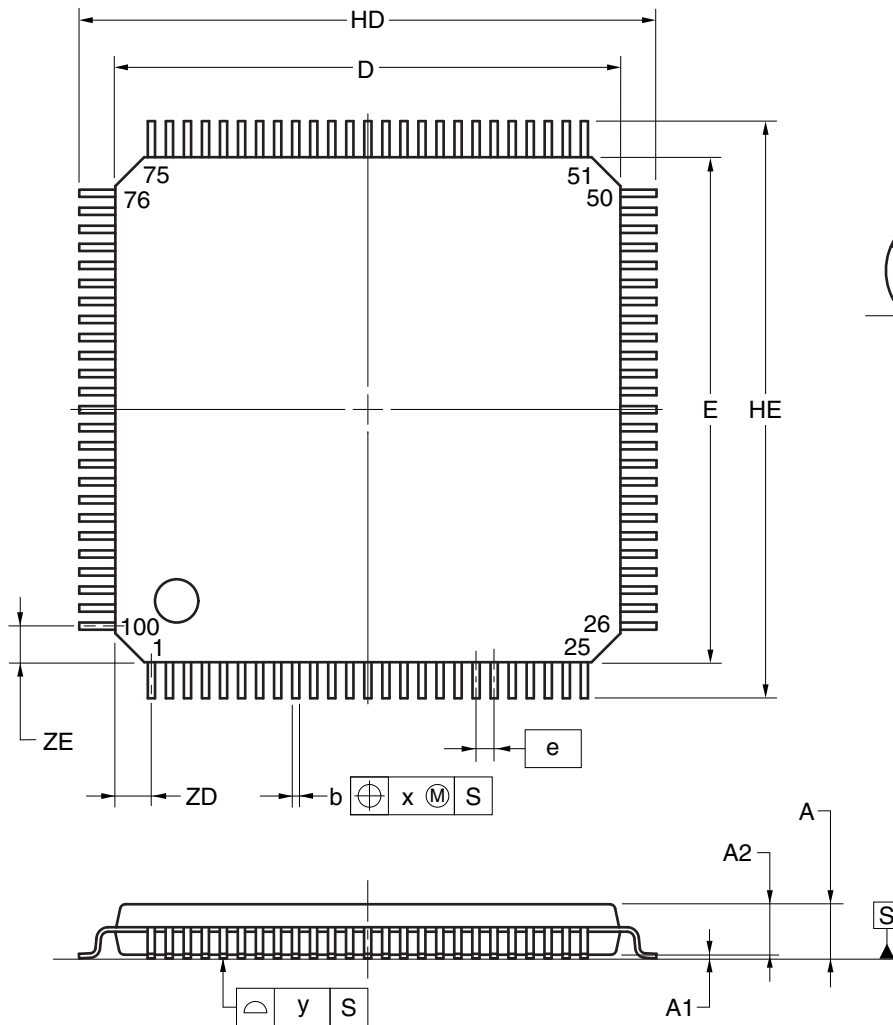
(3) Programming characteristics**($T_A = -40$ to $+85^\circ\text{C}$, $V_{DD} = EV_{DD} = UV_{DD} = AV_{REF0} = AV_{REF1} = 2.7$ to 3.6 V, $V_{SS} = EV_{SS} = AV_{SS} = 0$ V, $C_L = 50$ pF)**

Parameter	Symbol	Conditions	MIN.	TYP.	MAX.	Unit
Chip erase time		$f_{xx} = 20$ MHz (when the chip erase command is executed)		105		ms
Write time per 256 bytes		$f_{xx} = 20$ MHz		2.0		ms
Block internal verify time		$f_{xx} = 20$ MHz		10		ms
Block blank check time		$f_{xx} = 20$ MHz		0.5		ms
Flash memory information setting time		$f_{xx} = 20$ MHz		30		ms

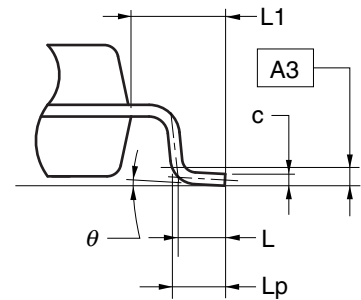
Remark Block size = 4 KB

CHAPTER 34 PACKAGE DRAWINGS

100-PIN PLASTIC LQFP (FINE PITCH) (14x14)



detail of lead end

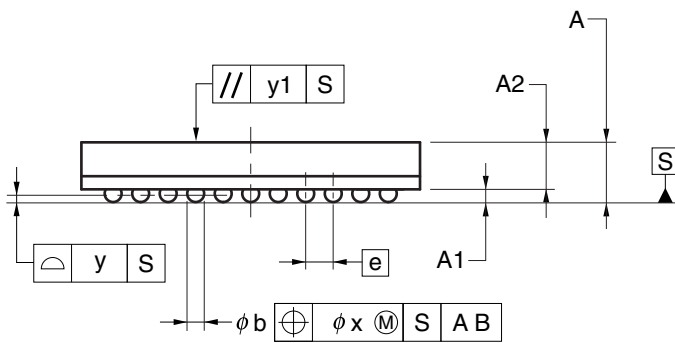
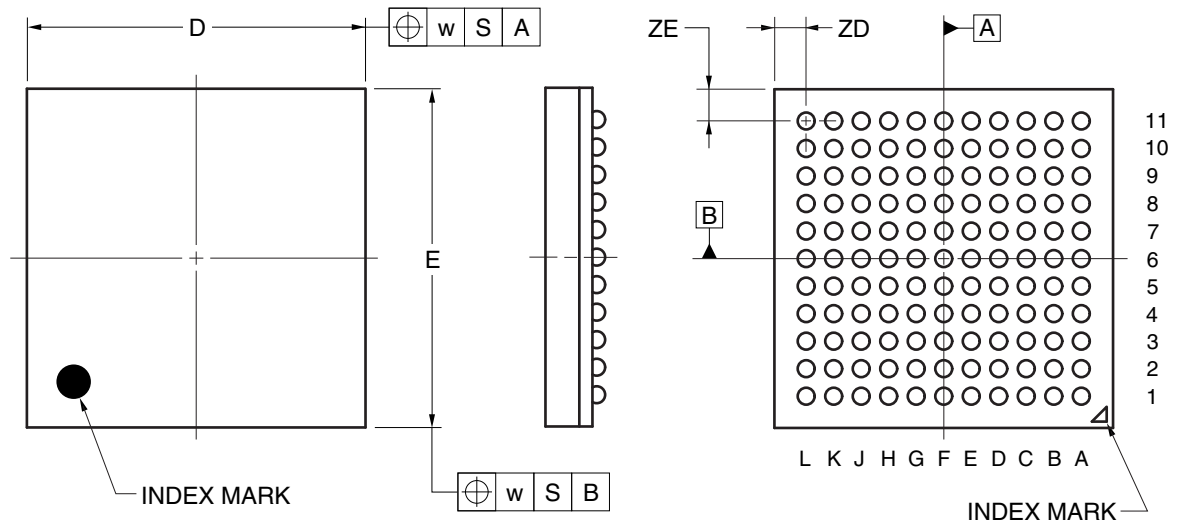


(UNIT:mm)

ITEM	DIMENSIONS
D	14.00±0.20
E	14.00±0.20
HD	16.00±0.20
HE	16.00±0.20
A	1.60 MAX.
A1	0.10±0.05
A2	1.40±0.05
A3	0.25
b	0.20 ^{+0.07} _{-0.03}
c	0.125 ^{+0.075} _{-0.025}
L	0.50
Lp	0.60±0.15
L1	1.00±0.20
θ	3° ^{+5°} _{-3°}
e	0.50
x	0.08
y	0.08
ZD	1.00
ZE	1.00

P100GC-50-UEU-1

121-PIN PLASTIC FBGA (8x8)



(UNIT:mm)

ITEM	DIMENSIONS
D	8.00±0.10
E	8.00±0.10
w	0.20
A	1.21±0.10
A1	0.30±0.05
A2	0.91
e	0.65
b	0.40±0.05
x	0.08
y	0.10
y1	0.20
ZD	0.75
ZE	0.75

P121F1-65-CAH

CHAPTER 35 RECOMMENDED SOLDERING CONDITIONS

The V850ES/JG3-L should be soldered and mounted under the following recommended conditions.
For technical information, see the following website.

Semiconductor Device Mount Manual (<http://www.renesas.com/products/package/manual/index.jsp>)

Table 35-1. Surface Mounting Type Soldering Conditions (1/2)

- (1) **μPD70F3794GC-UEU-AX: 100-pin plastic LQFP (fine pitch) (14 × 14)**
μPD70F3795GC-UEU-AX: 100-pin plastic LQFP (fine pitch) (14 × 14)
μPD70F3796GC-UEU-AX: 100-pin plastic LQFP (fine pitch) (14 × 14)

Soldering Method	Soldering Conditions	Recommended Condition Symbol
Infrared reflow	Package peak temperature: 260°C, Time: 60 seconds max. (at 220°C or higher), Count: Three times or less, Exposure limit: 7 days ^{Note} (after that, prebake at 125°C for 10 to 72 hours)	IR60-107-3
Partial heating	Pin temperature: 350°C max., Time: 3 seconds max. (per pin row)	—

Note After opening the dry pack, store it at 25°C or less and 65% RH or less for the allowable storage period.

Caution Do not use different soldering methods together (except for partial heating).

Remarks 1. The V850ES/JG3-L is a lead-free product.

- 2.** For soldering methods and conditions other than those recommended above, please contact a Renesas Electronics sales representative.

Table 35-1. Surface Mounting Type Soldering Conditions (2/2)

- (2) μ PD70F3794F1-CAH-A: 121-pin plastic FBGA (8 × 8)
 μ PD70F3795F1-CAH-A: 121-pin plastic FBGA (8 × 8)
 μ PD70F3796F1-CAH-A: 121-pin plastic FBGA (8 × 8)

Soldering Method	Soldering Conditions	Recommended Condition Symbol
Infrared reflow	Package peak temperature: 260°C, Time: 60 seconds max. (at 220°C or higher), Count: Three times or less, Exposure limit: 7 days ^{Note} (after that, prebake at 125°C for 10 to 72 hours)	IR60-107-3

Note After opening the dry pack, store it at 25°C or less and 65% RH or less for the allowable storage period.

Caution Do not use different soldering methods together.

Remarks 1. The V850ES/JG3-L is a lead-free product.

- 2.** For soldering methods and conditions other than those recommended above, please contact a Renesas Electronics sales representative.

APPENDIX A DEVELOPMENT TOOLS

The following development tools are available for the development of systems that employ the V850ES/JG3-L. Figure A-1 shows the development tool configuration.

- **Support for PC98-NX series**

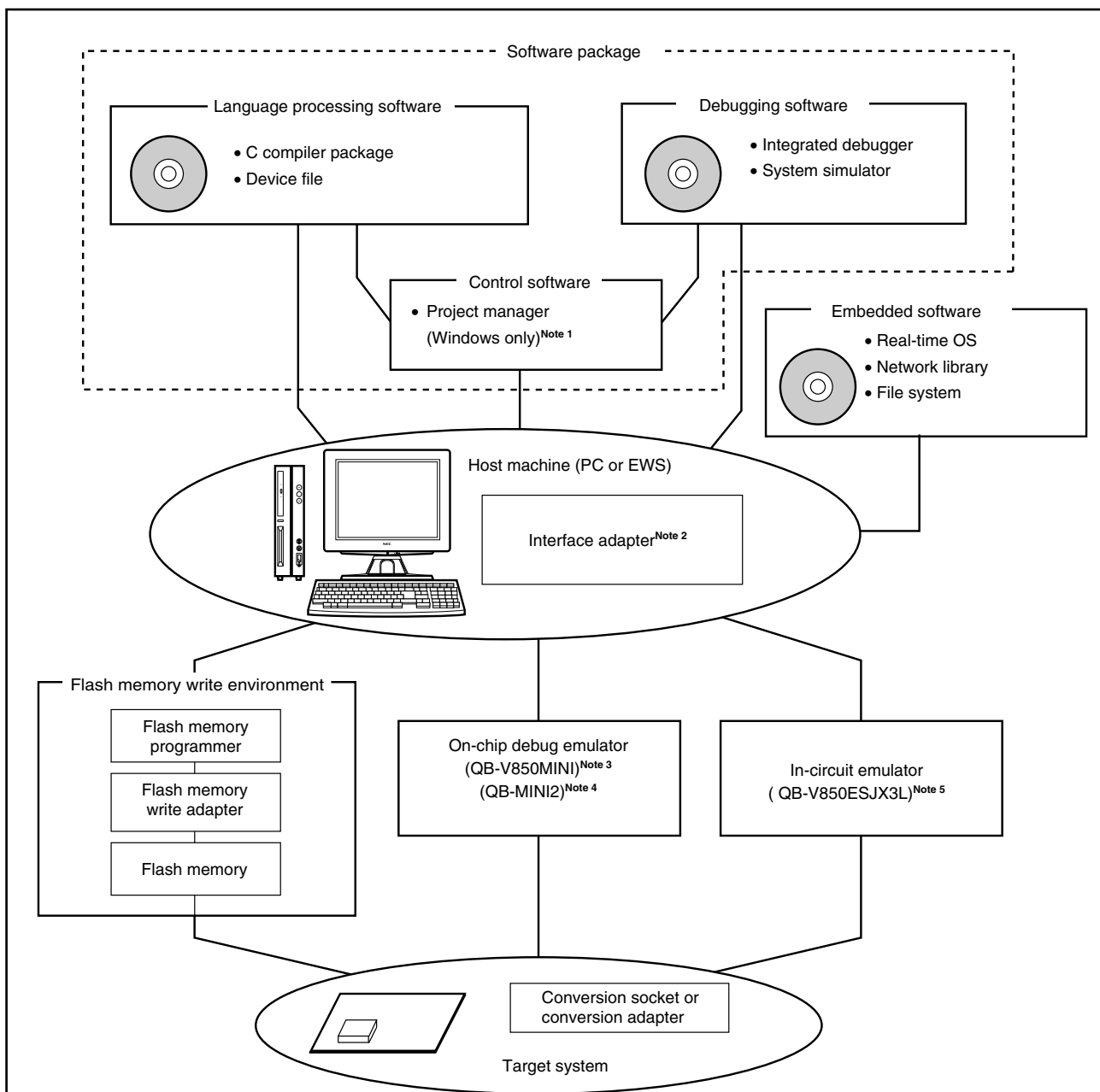
Unless otherwise specified, products supported by IBM PC/AT™ compatibles are compatible with PC98-NX series computers. When using PC98-NX series computers, refer to the explanation for IBM PC/AT compatibles.

- **Windows®**

Unless otherwise specified, "Windows" means the following OSs.

- Windows 98, 2000
- Windows Me
- Windows XP
- Windows NT® Ver. 4.0

Figure A-1. Development Tool Configuration



- Notes**
1. Project manager PM+ is included in the C compiler package. PM+ is only used in Windows.
 2. The QB-V850MINI, QB-MINI2 and QB-V850ESJX3L support the USB interface only.
 3. The QB-V850MINI is supplied with the ID850QB, USB interface cable, OCD cable, self-check board, KEL adapter, and KEL connector. All other products are optional.
 4. The QB-MINI2 is supplied with USB interface cable, 16-pin target cable, 10-pin target cable, and 78K0-OCD board (integrated debugger is not supplied.) All other products are optional.
 5. The QB-V850ESJX3L are supplied with the ID850QB, flash memory programmer (MINICUBE2), power supply unit, and USB interface adapter. All other products are optional.

A.1 Software Package

SP850 Software package for V850 microcontrollers	Development tools (software) commonly used with V850 microcontrollers are included this package.
	Part number: $\mu S_{xxxx}SP850$

Remark xxxx in the part number differs depending on the host machine and OS used.

$\mu S_{xxxx}SP850$

xxxx	Host Machine	OS	Supply Medium
AB17	PC-9800 series, IBM PC/AT compatibles	Windows (Japanese version)	CD-ROM
BB17		Windows (English version)	

A.2 Language Processing Software

CA850 C compiler package	This compiler converts programs written in C into object codes executable with a microcontroller. This compiler is started from project manager PM+.
	Part number: $\mu S_{xxxx}CA703000$
DF703738 Device file	This file contains information peculiar to the device. This device file should be used in combination with a tool (CA850 or ID850QB). The corresponding OS and host machine differ depending on the tool to be used.

Remark xxxx in the part number differs depending on the host machine and OS used.

$\mu S_{xxxx}CA703000$

xxxx	Host Machine	OS	Supply Medium
AB17	PC-9800 series, IBM PC/AT compatibles	Windows (Japanese version)	CD-ROM
BB17		Windows (English version)	
3K17	SPARCstation™	SunOS™ (Rel. 4.1.4), Solaris™ (Rel. 2.5.1)	

A.3 Control Software

PM+ Project manager	This is control software designed to enable efficient user program development in the Windows environment. All operations used in development of a user program, such as starting the editor, building, and starting the debugger, can be performed from PM+. <Caution> PM+ is included in C compiler package CA850. It can only be used in Windows.
------------------------	--

A.4 Debugging Tools (Hardware)

A.4.1 When using IECUBE® QB-V850ESJX3L

The system configuration when connecting the QB-V850ESJX3L to the host machine (PC-9821 series, PC/AT compatible) is shown below. Even if optional products are not prepared, connection is possible.

Figure A-2. System Configuration (When Using QB-V850ESJX3L) (1/2)

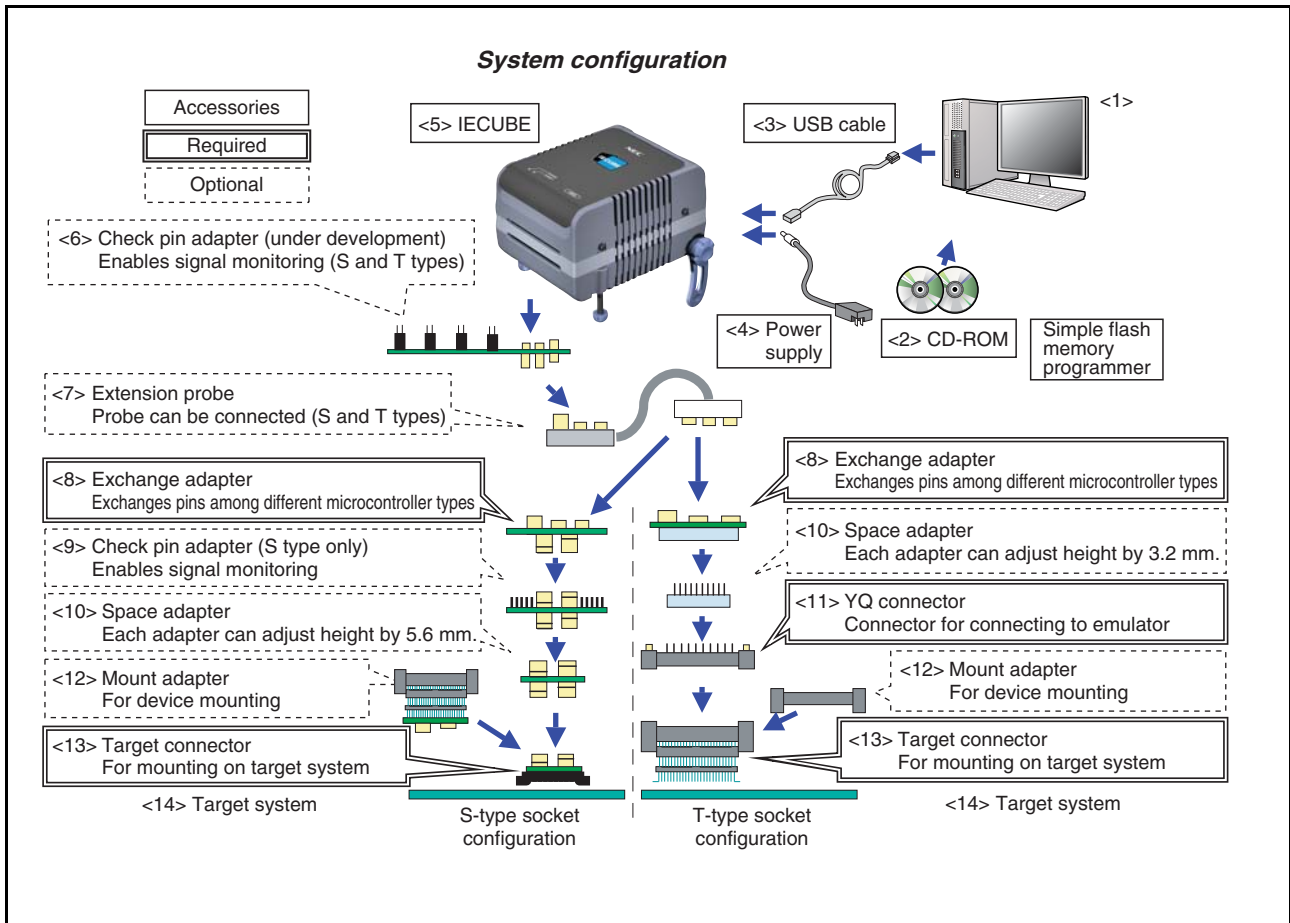


Figure A-2. System Configuration (When Using QB-V850ESJX3L) (2/2)

- <1> Host machine (PC-9821 series, IBM-PC/AT compatibles)
- <2> Debugger, USB driver, manuals, etc. (ID850QB Disk, Accessory Disk^{Note 1})
- <3> USB interface cable
- <4> AC adapter
- <5> In-circuit emulator (QB-V850ESJX3L)
- <6> Check pin adapter (S and T types) (QB-144-CA-01^{Note 2}) (optional)
- <7> Extension probe (S and T types) (QB-144-EP-01S) (optional)
- <8> Exchange adapter^{Note 3} (S type: QB-100GC-EA-01S (GC package), T type: QB-100GC-EA-01T (GC package))
- <9> Check pin adapter^{Note 4} (S type only) (QB-100-CA-01S) (optional)
- <10> Space adapter^{Note 4} (S type: QB-100-SA-01S (GC packages), T type: QB-100GC-YS-01T (GC package))
- <11> YQ connector^{Note 3} (T type only) (QB-100GC-YQ-01T) (GC package)
- <12> Mount adapter (S type: QB-100GC-MA-01S (GC package), T type: QB-100GF-HQ-01T (GC package), (optional))
- <13> Target connector^{Note 3} (S type: QB-100GC-TC-01S (GC package), T type: QB-100GC-NQ-01T (GC package))
- <14> Target system

- Notes**
1. Download the device file from the Renesas Electronics website.
https://secure-resource.renesas.com/micro/tool_reg/OdsListTop.do?lang=en
 2. Under development
 3. Supplied with the device depending on the ordering number.
 - When QB-V850ESJX3L-ZZZ are ordered
The exchange adapter and the target connector are not supplied.
 - When QB-V850ESJX3L-S100GC are ordered
The QB-100GC-EA-01S and QB-100GC-TC-01S are supplied.
 - When QB-V850ESJX3L-T100GC are ordered
The QB-100GC-EA-01T, QB-100GC-YQ-01T, and QB-100GC-NQ-01T are supplied.
 4. When using both <9> and <10>, the order between <9> and <10> is not cared.

<5> QB-V850ESJX3L ^{Note} In-circuit emulator	The in-circuit emulator serves to debug hardware and software when developing application systems using the V850ES/JG3-L. It supports the integrated debugger ID850QB. This emulator should be used in combination with a power supply unit and emulation probe. Use the USB interface cable to connect this emulator to the host machine.
<3> USB interface cable	Cable to connect the host machine and the QB-V850ESJX3L.
<4> AC adapter	100 to 240 V can be supported by replacing the AC plug.
<8> QB-100GC-EA-01S QB-100GC-EA-01T Exchange adapter	Adapter to perform pin conversion. • QB-100GC-EA-01S: 100-pin plastic LQFP (GC-UEU type) • QB-100GC-EA-01T: 100-pin plastic LQFP (GC-UEU type)
<9> QB-100-CA-01S (S type only) Check pin adapter	Adapter used in waveform monitoring using the oscilloscope, etc. • QB-100-CA-01S: GC-UEU/GF-GAS type
<10> QB-100-SA-01S QB-100GC-YS-01T Space adapter	Adapter to adjust the height. • QB-100GF-SA-01S: GC-UEU/GF-GAS type • QB-100GC-YS-01T: 100-pin plastic LQFP (GC-UEU type)
<11> QB-100GC-YQ-01T YQ connector	Conversion adapter to connect target connector and exchange adapter • QB-100GC-YQ-01T: 100-pin plastic LQFP (GC-UEU type)
<12> QB-100GC-MA-01S QB-100GC-HQ-01T Mount adapter	Adapter to mount the V850ES/JG3-L with socket. • QB-100GC-MA-01S: 100-pin plastic LQFP (GC-UEU type) • QB-100GC-HQ-01T: 100-pin plastic LQFP (GC-UEU type)
<13> QB-100GC-TC-01S QB-100GC-NQ-01T Target connector	Connector to solder on the target system. • QB-100GC-TC-01S: 100-pin plastic LQFP (GC-UEU type) • QB-100GC-NQ-01T: 100-pin plastic LQFP (GC-UEU type)

Note The QB-V850ESJX3L are supplied with a power supply unit, USB interface cable, and flash memory programmer (MINICUBE2). It is also supplied with integrated debugger ID850QB as control software.

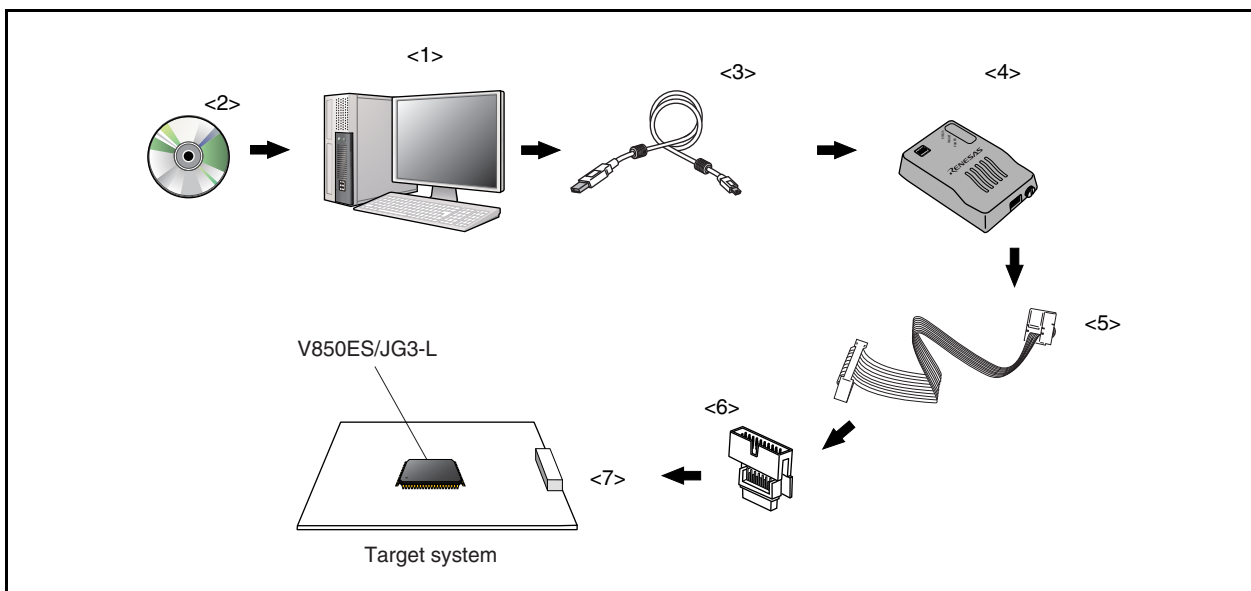
Remark The numbers in the angle brackets correspond to the numbers in Figure A-2.

A.4.2 When using MINICUBE QB-V850MINI

(1) On-chip emulation using MINICUBE

The system configuration when connecting MINICUBE to the host machine (PC-9821 series, PC/AT compatible) is shown below.

Figure A-3. On-Chip Emulation System Configuration



<1> Host machine	PC with USB ports
<2> CD-ROM ^{Note 1}	Contents such as integrated debugger ID850QB, N-Wire Checker, device driver, and documents are included in CD-ROM. It is supplied with MINICUBE.
<3> USB interface cable	USB cable to connect the host machine and MINICUBE. It is supplied with MINICUBE. The cable length is approximately 2 m.
<4> MINICUBE On-chip debug emulator	This on-chip debug emulator serves to debug hardware and software when developing application systems using the V850ES/JG3-L. It supports integrated debugger ID850QB.
<5> OCD cable	Cable to connect MINICUBE and the target system. It is supplied with MINICUBE. The cable length is approximately 20 cm.
<6> Connector conversion board KEL adapter	This conversion board is supplied with MINICUBE.
<7> MINICUBE connector KEL connector ^{Note 2}	8830E-026-170S (supplied with MINICUBE) 8830E-026-170L (sold separately)

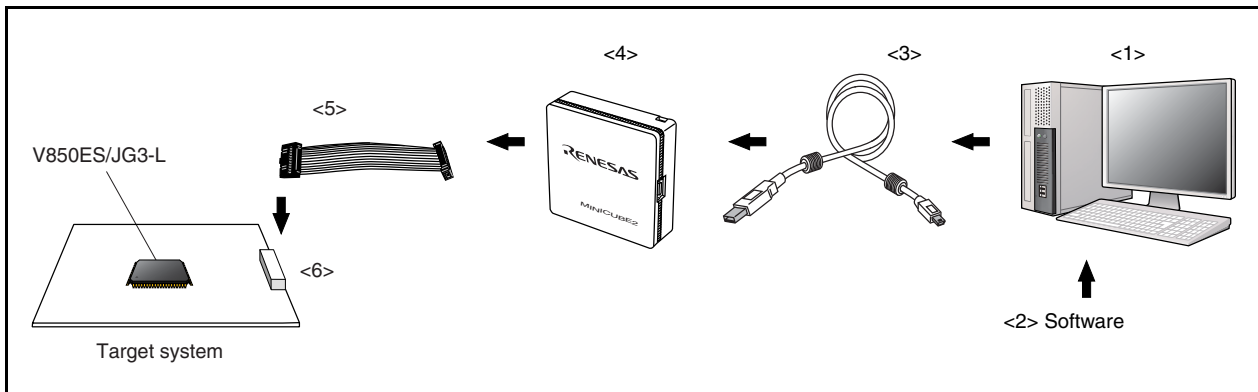
- Notes**
1. Download the device file from the Renesas Electronics website.
https://secure-resource.renesas.com/micro/tool_reg/OdsListTop.do?lang=en
 2. Product of KEL Corporation

Remark The numbers in the angular brackets correspond to the numbers in Figure A-3.

A.4.3 When using MINICUBE2 QB-MINI2

The system configuration when connecting MINICUBE2 to the host machine (PC-9821 series, PC/AT compatible) is shown below.

Figure A-4. System Configuration of On-Chip Emulation System



<1> Host machine	PC with USB ports
<2> Software	The integrated debugger ID850QB, device file, etc. Download the device file from the Renesas Electronics website. https://secure-resource.renesas.com/micro/tool_reg/OdsListTop.do?lang=en
<3> USB interface cable	USB cable to connect the host machine and MINICUBE. It is supplied with MINICUBE. The cable length is approximately 2 m.
<4> MINICUBE2 On-chip debug emulator	This on-chip debug emulator serves to debug hardware and software when developing application systems using the V850ES/JG3-L. It supports integrated debugger ID850QB.
<5> 16-pin target cable	Cable to connect MINICUBE2 and the target system. It is supplied with MINICUBE. The cable length is approximately 15 cm.
<6> Target connector (sold separately)	Use a 16-pin general-purpose connector with 2.54 mm pitch.

Remark The numbers in the angular brackets correspond to the numbers in Figure A-4.

A.5 Debugging Tools (Software)

ID850QB Integrated debugger	<p>This debugger supports the in-circuit emulators for V850 microcontrollers. The ID850QB is Windows-based software.</p> <p>It has improved C-compatible debugging functions and can display the results of tracing with the source program using an integrating window function that associates the source program, disassemble display, and memory display with the trace result.</p> <p>It should be used in combination with the device file.</p> <p>Part number: μS$\times\times\times$ ID703000-QB (ID850QB)</p>
--------------------------------	--

Remark $\times\times\times$ in the part number differs depending on the host machine and OS used.

μ S $\times\times\times$ ID703000-QB

$\times\times\times$	Host Machine	OS	Supply Medium
AB17	PC-9800 series,	Windows (Japanese version)	CD-ROM
BB17	IBM PC/AT compatibles	Windows (English version)	

A.6 Embedded Software

RX850, RX850 Pro Real-time OS	The RX850 and RX850 Pro are real-time OSs conforming to μ ITRON 3.0 specifications. A tool (configurator) for generating multiple information tables is supplied. RX850 Pro has more functions than the RX850.
	Part number: μ SxxxxRX703000- $\Delta\Delta\Delta\Delta$ (RX850) μ SxxxxRX703100- $\Delta\Delta\Delta\Delta$ (RX850 Pro)
Applilet [®] (under development)	This is a driver configurator that automatically generates sample programs for the V850ES/JG3-L.
RX-FS850 (File system)	This is a FAT file system function. It is a file system that supports the CD-ROM file system function. This file system is used with the real-time OS RX850 Pro.

Caution To purchase the RX850 or RX850 Pro, first fill in the purchase application form and sign the license agreement.

Remark xxxx and $\Delta\Delta\Delta\Delta$ in the part number differ depending on the host machine and OS used.

μ SxxxxRX703000- $\Delta\Delta\Delta\Delta$

μ SxxxxRX703100- $\Delta\Delta\Delta\Delta$

$\Delta\Delta\Delta\Delta$	Product Outline	Maximum Number for Use in Mass Production
001	Evaluation object	Do not use for mass-produced product.
100K	Mass-production object	0.1 million units
001M		1 million units
010M		10 million units
S01	Source program	Object source program for mass production

xxxx	Host Machine	OS	Supply Medium
AB17	PC-9800 series, IBM PC/AT compatibles	Windows (Japanese version)	CD-ROM
BB17		Windows (English version)	
3K17	SPARCstation	Solaris (Rel. 2.5.1)	

A.7 Flash Memory Writing Tools

Flashpro V (part number: PG-FP5) Flash memory programmer	Flash memory programmer dedicated to microcontrollers with internal flash memory.
QB-MINI2 (MINICUBE2)	On-chip debug emulator with programming function.
FA-100GC-UEU-B FA-121F1-CAH-B Flash memory writing adapter	Flash memory writing adapter used connected to the Flashpro IV, Flashpro V, etc. (not wired). <ul style="list-style-type: none"> • FA-100GC-UEU-B: 100-pin plastic LQFP (GC-UEU type) • FA-121F1-CAH-B: 121-pin plastic FBGA (F1-CAH type)
FA-70F3796GC-UEU-RX Flash memory writing adapter	Flash memory writing adapter used connected to the Flashpro IV, Flashpro V, etc. (already wired). <ul style="list-style-type: none"> • FA-70F3796GC-UEU-RX: 100-pin plastic LQFP

Remark FA-100GC-UEU-B, FA-70F3796F1-CAH-RX are products of Naito Densetsu Machida Mfg. Co., Ltd.
TEL: +81-42-750-4172

APPENDIX B MAJOR DIFFERENCES BETWEEN PRODUCTS

Table B-1. Major Differences (1/2)

Major Differences		V850ES/JG3-L		
		μ PD70F3737 μ PD70F3738	μ PD70F3792 μ PD70F3793 μ PD70F3841 μ PD70F3842	μ PD70F3794 μ PD70F3795 μ PD70F3796
Pin	Port (5 V tolerant)	84 (31)	83 (31)	80 (28)
Memory	Internal flash memory	128/256 KB	384/512 KB	256/384/512 KB
	Internal RAM	8/16 KB	32/40/80 KB	40 KB
Supply voltage	V _{DD} , EV _{DD}	2.2 to 3.6 V @5 MHz 2.7 to 3.6 V @20 MHz	2.2 to 3.6 V @5 MHz 2.7 to 3.6 V @20 MHz 2.0 to 3.6 V @2.5 MHz	2.2 V @5 MHz 2.7 V @20 MHz 2.0 V @5 MHz 3.0 to 3.6 V @16 MHz (USB oprating)
	UV _{DD}	None		2.2 V @5 MHz 2.7 V @20 MHz 2.0 V @2.5 MHz 3.0 to 3.6 V @16 MHz (USB oprating)
	RV _{DD}	None	Available	
	A/D, D/A operating voltage	2.7 to 3.6 V		
Low-voltage detector (LVI)	LVI	2 levels: 2.8 V (TYP.), 2.3 V (TYP.) Selectable by software	3 levels: 2.8 V (TYP.), 2.3 V (TYP.) , 2.1 V (TYP.) Selectable by software	
	Interrupt condition at low-voltage detection	When supply voltage drops or rises across the detection voltage		
Standby function	RTC backup mode	None	Available	
Flash memory	Boot area	32 KB		
	Block configuration	Block 0 to 63/127 block: 2 KB each	Block 0 to 95/127 block: 4 KB each	Block 0 to 63/95/127 block: 4 KB each
RTC		None	Available	
UARTA		3 channels	6 channels	
UARTC		None	Available	
USB function		None	None	Available

Table B-1. Major Differences (2/2)

Major Difference		μ PD70F3737 μ PD70F3738	μ PD70F3792 μ PD70F3793 μ PD70F3841 μ PD70F3842	μ PD70F3794 μ PD70F3795 μ PD70F3796	
Interrupt request signal	Interrupt number	57 (External interrupt : 9)	64 (External interrupt : 9)		
	RTC	INTRTC0	None	Available	
		INTRCT1	None	Available	
		INTRTC2	None	Available	
	UARTA3	INTTUA3R	None	Available	
		INTTUA3T	None	Available	
	UARTA4	INTTUA4R	None	Available	
		INTTUA4T	None	Available	
	UARTA5	INTTUA5R	None	Available	
		INTTUA5T	None	Available	
	UARTC1	INTTUC1R	None	Available	
		INTTUC1T	None	Available	
DMA Start Factors	INTRTC1	None	Available		
	INTUA3R	None	Available		
	INTUA3T	None	Available		
	INTUA4R	None	Available		
	INTUA4T	None	Available		
	INTUA5R	None	Available		
	INTUA5T	None	Available		
LVI detection level		2 levels	3 levels		
Package	100-pinQFP (14x20)	Available	None		
Operation power supply voltage	2.0 to 3.6 V@2.5 MHz	None	Available		

Table B-2. Pin Layout in LQFP Package

Pin number	μ PD70F3737GC-UEU-AX μ PD70F3738GC-UEU-AX	μ PD70F3792GC-UEU-AX μ PD70F3793GC-UEU-AX μ PD70F3841GC-UEU-AX μ PD70F3842GC-UEU-AX	μ PD70F3794GC-UEU-AX μ PD70F3795GC-UEU-AX μ PD70F3796GC-UEU-AX
7 pin	PDH5/A21	P02/NMI/A21	
17 pin	P02/NMI	RV _{DD}	
18 pin	P03/INTP0/ADTRG	P03/INTP0/ADTRG/RTC1HZ	P03/INTP0/ADTRG/UCLK/RTC1HZ
19 pin	P04/INTP1	P04/INTP1/RTCDIV/RTCCL	
28 pin	P33/TIP01/TOP01	UDMF	
29 pin	P34/TIP10/TOP10	UPDF	
30 pin	P35/TIP11/TOP11	UV _{DD}	
31 pin	P36	P36/TXDA3	
32 pin	P37	P37/RXDA3	
45 pin	P92/A2/TIP41/TOP41	P92 (/A2) ^{Note} /TIP41/TOP41/TXDA4	
46 pin	P93/A3/TIP40/TOP40	P93 (/A3) ^{Note} /TIP40/TOP40/RXDA4	
47 pin	P94/A4/TIP31/TOP31	P94 (/A4) ^{Note} /TIP31/TOP31/TXDA5	
48 pin	P95/A5/TIP30/TOP30	P95 (/A5) ^{Note} /TIP30/TOP30/RXDA5	
49 pin	P96/A6/TIP21/TOP21	P96 (/A6) ^{Note} /TXDC0/TIP21/TOP21	
50 pin	P97/A7/SIB1/TIP20/TOP20	P97 (/A7) ^{Note} /SIB1/RXDC0/TIP20/TOP20	

Note μ PD70F3792, 70F3793 only.

Table B-3. Pin Layout in FBGA Package

Pin number	μ PD70F3737F1-CAH-A μ PD70F3738F1-CAH-A	μ PD70F3792F1-CAH-A μ PD70F3793F1-CAH-A μ PD70F3841F1-CAH-A μ PD70F3842F1-CAH-A	μ PD70F3794F1-CAH-A μ PD70F3795F1-CAH-A μ PD70F3796F1-CAH-A
D2 pin	V _{DD}	RV _{DD}	
G3 pin	P03/INTP0/ADTRG	P03/INTP0/ADTRG/RTC1HZ	P03/INTP0/ADTRG/UCLK/RTC1HZ
G4 pin	PDH5/A21	P02/NMI/A21	
H4 pin	P04/INTP1	P04/INTP1/RTCDIV/RTCCL	
H5 pin	P36	P36/TXDA3	
J2 pin	P02/NMI	P02/NMI/A21	IC
J5 pin	P35/TIP11/TOP11	EV _{SS}	
J6 pin	P37	P37/RXDA3	
J9 pin	P93/A3/TIP40/TOP40	P93 (/A3) ^{Note} /TIP40/TOP40/RXDA4	
J11 pin	P97/A7/SIB1/TIP20/TOP20	P97 (/A7) ^{Note} /SIB1/RXDC0/TIP20/TOP20	
K4 pin	P33/TIP01/TOP01	UDMF	
K5 pin	P34/TIP10/TOP10	UPDF	
K6 pin	EV _{DD}	UV _{DD}	
K9 pin	P92/A2/TIP41/TOP41	P92 (/A2) ^{Note} /TIP41/TOP41/TXDA4	
K10 pin	P95/A5/TIP30/TOP30	P95 (/A5) ^{Note} /TIP30/TOP30/RXDA5	
K11 pin	P96/A6/TIP21/TOP21	P96 (/A6) ^{Note} /TXDC0/TIP21/TOP21	
L10 pin	P94/A4/TIP31/TOP31	P94 (/A4) ^{Note} /TIP31/TOP31/TXDA5	

Note μ PD70F3792, 70F3793 only.

APPENDIX C REGISTER INDEX

(1/19)

Symbol	Name	Unit	Page
ADA0CR0	A/D conversion result register 0	ADC	504
ADA0CR0H	A/D conversion result register 0H	ADC	504
ADA0CR1	A/D conversion result register 1	ADC	504
ADA0CR1H	A/D conversion result register 1H	ADC	504
ADA0CR2	A/D conversion result register 2	ADC	504
ADA0CR2H	A/D conversion result register 2H	ADC	504
ADA0CR3	A/D conversion result register 3	ADC	504
ADA0CR3H	A/D conversion result register 3H	ADC	504
ADA0CR4	A/D conversion result register 4	ADC	504
ADA0CR4H	A/D conversion result register 4H	ADC	504
ADA0CR5	A/D conversion result register 5	ADC	504
ADA0CR5H	A/D conversion result register 5H	ADC	504
ADA0CR6	A/D conversion result register 6	ADC	504
ADA0CR6H	A/D conversion result register 6H	ADC	504
ADA0CR7	A/D conversion result register 7	ADC	504
ADA0CR7H	A/D conversion result register 7H	ADC	504
ADA0CR8	A/D conversion result register 8	ADC	504
ADA0CR8H	A/D conversion result register 8H	ADC	504
ADA0CR9	A/D conversion result register 9	ADC	504
ADA0CR9H	A/D conversion result register 9H	ADC	504
ADA0CR10	A/D conversion result register 10	ADC	504
ADA0CR10H	A/D conversion result register 10H	ADC	504
ADA0CR11	A/D conversion result register 11	ADC	504
ADA0CR11H	A/D conversion result register 11H	ADC	504
ADA0M0	A/D converter mode register 0	ADC	497
ADA0M1	A/D converter mode register 1	ADC	499
ADA0M2	A/D converter mode register 2	ADC	502
ADA0PFM	Power fail compare mode register	ADC	506
ADA0PFT	Power fail compare threshold value register	ADC	508
ADA0S	Analog input channel specification register	ADC	503
ADIC	Interrupt control register	INTC	979
AWC	Address wait control register	BCU	194
BCC	Bus cycle control register	BCU	195
BRGINTE	Bridge interrupt enable register	USBF	872
BRGINTT	Bridge interrupt control register	USBF	871
BSC	Bus size configuration register	BCU	183
CB0CTL0	CSIB0 control register 0	CSIB	625
CB0CTL1	CSIB0 control register 1	CSIB	628
CB0CTL2	CSIB0 control register 2	CSIB	629
CB0RIC	Interrupt control register	INTC	979
CB0RX	CSIB0 receive data register	CSIB	623
CB0RXL	CSIB0 receive data register L	CSIB	623

(2/19)

Symbol	Name	Unit	Page
CB0STR	CSIB0 status register	CSIB	631
CB0TIC	Interrupt control register	INTC	979
CB0TX	CSIB0 transmit data register	CSIB	624
CB0TXL	CSIB0 transmit data register L	CSIB	624
CB1CTL0	CSIB1 control register 0	CSIB	625
CB1CTL1	CSIB1 control register 1	CSIB	628
CB1CTL2	CSIB1 control register 2	CSIB	629
CB1RIC	Interrupt control register	INTC	979
CB1RX	CSIB1 receive data register	CSIB	623
CB1RXL	CSIB1 receive data register L	CSIB	623
CB1STR	CSIB1 status register	CSIB	631
CB1TIC	Interrupt control register	INTC	979
CB1TX	CSIB1 transmit data register	CSIB	624
CB1TXL	CSIB1 transmit data register L	CSIB	624
CB2CTL0	CSIB2 control register 0	CSIB	625
CB2CTL1	CSIB2 control register 1	CSIB	628
CB2CTL2	CSIB2 control register 2	CSIB	629
CB2RIC	Interrupt control register	INTC	979
CB2RX	CSIB2 receive data register	CSIB	623
CB2RXL	CSIB2 receive data register L	CSIB	623
CB2STR	CSIB2 status register	CSIB	631
CB2TIC	Interrupt control register	INTC	979
CB2TX	CSIB2 transmit data register	CSIB	624
CB2TXL	CSIB2 transmit data register L	CSIB	624
CB3CTL0	CSIB3 control register 0	CSIB	625
CB3CTL1	CSIB3 control register 1	CSIB	628
CB3CTL2	CSIB3 control register 2	CSIB	629
CB3RIC	Interrupt control register	INTC	979
CB3RX	CSIB3 receive data register	CSIB	623
CB3RXL	CSIB3 receive data register L	CSIB	623
CB3STR	CSIB3 status register	CSIB	631
CB3TIC	Interrupt control register	INTC	979
CB3TX	CSIB3 transmit data register	CSIB	624
CB3TXL	CSIB3 transmit data register L	CSIB	624
CB4CTL0	CSIB4 control register 0	CSIB	625
CB4CTL1	CSIB4 control register 1	CSIB	628
CB4CTL2	CSIB4 control register 2	CSIB	629
CB4RIC	Interrupt control register	INTC	979
CB4RX	CSIB4 receive data register	CSIB	623
CB4RXL	CSIB4 receive data register L	CSIB	623
CB4STR	CSIB4 status register	CSIB	631
CB4TIC	Interrupt control register	INTC	979
CB4TX	CSIB4 transmit data register	CSIB	624
CB4TXL	CSIB4 transmit data register L	CSIB	624
CCLS	CPU operation clock status register	CG	211

(3/19)

Symbol	Name	Unit	Page
CKC	Clock control register	CG	216
CKTHSEL	Clock-through select register	CG	212
CLM	Clock monitor mode register	CLM	1060
CPUBCTL	CPU I/F bus control register	USBF	874
CRCD	CRC data register	CRC	1070
CRCIN	CRC input register	CRC	1070
CTBP	CALLT base pointer	CPU	58
CTPC	CALLT execution status saving register	CPU	57
CTPSW	CALLT execution status saving register	CPU	57
DA0CS0	D/A conversion value setting register 0	DAC	537
DA0CS1	D/A conversion value setting register 1	DAC	537
DA0M	D/A converter mode register	DAC	536
DADC0	DMA addressing control register 0	DMAC	943
DADC1	DMA addressing control register 1	DMAC	943
DADC2	DMA addressing control register 2	DMAC	943
DADC3	DMA addressing control register 3	DMAC	943
DBC0	DMA transfer count register 0	DMAC	942
DBC1	DMA transfer count register 1	DMAC	942
DBC2	DMA transfer count register 2	DMAC	942
DBC3	DMA transfer count register 3	DMAC	942
DBPC	Exception/debug trap status saving register	CPU	58
DBPSW	Exception/debug trap status saving register	CPU	58
DCHC0	DMA channel control register 0	DMAC	944
DCHC1	DMA channel control register 1	DMAC	944
DCHC2	DMA channel control register 2	DMAC	944
DCHC3	DMA channel control register 3	DMAC	944
DDA0H	DMA destination address register 0H	DMAC	941
DDA0L	DMA destination address register 0L	DMAC	941
DDA1H	DMA destination address register 1H	DMAC	941
DDA1L	DMA destination address register 1L	DMAC	941
DDA2H	DMA destination address register 2H	DMAC	941
DDA2L	DMA destination address register 2L	DMAC	941
DDA3H	DMA destination address register 3H	DMAC	941
DDA3L	DMA destination address register 3L	DMAC	941
DMAIC0	Interrupt control register	INTC	979
DMAIC1	Interrupt control register	INTC	979
DMAIC2	Interrupt control register	INTC	979
DMAIC3	Interrupt control register	INTC	979
DSA0H	DMA source address register 0H	DMAC	940
DSA0L	DMA source address register 0L	DMAC	940
DSA1H	DMA source address register 1H	DMAC	940
DSA1L	DMA source address register 1L	DMAC	940
DSA2H	DMA source address register 2H	DMAC	940
DSA2L	DMA source address register 2L	DMAC	940
DSA3H	DMA source address register 3H	DMAC	940

(4/19)

Symbol	Name	Unit	Page
DSA3L	DMA source address register 3L	DMAC	940
DTFR0	DMA trigger factor register 0	DMAC	945
DTFR1	DMA trigger factor register 1	DMAC	945
DTFR2	DMA trigger factor register 2	DMAC	945
DTFR3	DMA trigger factor register 3	DMAC	945
DWC0	Data wait control register 0	BCU	191
ECR	Interrupt source register	CPU	55
EIPC	Interrupt status saving register	CPU	54
EIPSW	Interrupt status saving register	CPU	54
EPCCLT	EPC macro control register	USBF	873
FEPC	NMI status saving register	CPU	55
FEPSW	NMI status saving register	CPU	55
IIC0	IIC shift register 0	I ² C	692
IIC1	IIC shift register 1	I ² C	692
IIC2	IIC shift register 2	I ² C	692
IICC0	IIC control register 0	I ² C	679
IICC1	IIC control register 1	I ² C	679
IICC2	IIC control register 2	I ² C	679
IICCL0	IIC clock select register 0	I ² C	688
IICCL1	IIC clock select register 1	I ² C	688
IICCL2	IIC clock select register 2	I ² C	688
IICF0	IIC flag register 0	I ² C	687
IICF1	IIC flag register 1	I ² C	687
IICF2	IIC flag register 2	I ² C	687
IICIC0	Interrupt control register	INTC	979
IICIC1	Interrupt control register	INTC	979
IICIC2	Interrupt control register	INTC	979
IICS0	IIC status register 0	I ² C	683
IICS1	IIC status register 1	I ² C	683
IICS2	IIC status register 2	I ² C	683
IICX0	IIC function expansion register 0	I ² C	689
IICX1	IIC function expansion register 1	I ² C	689
IICX2	IIC function expansion register 2	I ² C	689
IMR0	Interrupt mask register 0	INTC	981
IMR0H	Interrupt mask register 0H	INTC	981
IMR0L	Interrupt mask register 0L	INTC	981
IMR1	Interrupt mask register 1	INTC	981
IMR1H	Interrupt mask register 1H	INTC	981
IMR1L	Interrupt mask register 1L	INTC	981
IMR2	Interrupt mask register 2	INTC	981
IMR2H	Interrupt mask register 2H	INTC	981
IMR2L	Interrupt mask register 2L	INTC	981
IMR3	Interrupt mask register 3	INTC	981
IMR3H	Interrupt mask register 3H	INTC	981
IMR3L	Interrupt mask register 3L	INTC	981

(5/19)

Symbol	Name	Unit	Page
INTF0	External interrupt falling edge specification register 0	INTC	994
INTF3	External interrupt falling edge specification register 3	INTC	995
INTF9H	External interrupt falling edge specification register 9H	INTC	996
INTR0	External interrupt rising edge specification register 0	INTC	994
INTR3	External interrupt rising edge specification register 3	INTC	995
INTR9H	External interrupt rising edge specification register 9H	INTC	996
ISPR	In-service priority register	INTC	983
KRIC	Interrupt control register	INTC	979
KRM	Key return mode register	KR	1002
LOCKR	Lock register	CG	217
LVIIC	Interrupt control register	INTC	979
LVIM	Low voltage detection register	LVI	1065
LVIS	Low voltage detection level select register	LVI	1066
NFC	Noise elimination control register	INTC	997
OCDM	On-chip debug mode register	DCU	1108
OCKS0	IIC division clock select register 0	I ² C	692
OCKS1	IIC division clock select register 1	I ² C	692
OCKS2	Clock select register	CLC	216
OSTS	Oscillation stabilization time select register	Standby	1008
P0	Port 0 register	Port	96
P1	Port 1 register	Port	100
P3	Port 3 register	Port	103
P3H	Port 3 register H	Port	103
P3L	Port 3 register L	Port	103
P4	Port 4 register	Port	108
P5	Port 5 register	Port	110
P7H	Port 7 register H	Port	116
P7L	Port 7 register L	Port	116
P9	Port 9 register	Port	118
P9H	Port 9 register H	Port	118
P9L	Port 9 register L	Port	118
PC	Program counter	CPU	52
PCC	Processor clock control register	CG	207
PCM	Port CM register	Port	125
PCT	Port CT register	Port	127
PDH	Port DH register	Port	129
PDL	Port DL register	Port	132
PDLH	Port DL register H	Port	132
PDLL	Port DL register L	Port	132
PF0	Port 0 function register	Port	99
PF3	Port 3 function register	Port	107
PF3H	Port 3 function register H	Port	107
PF3L	Port 3 function register L	Port	107
PF4	Port 4 function register	Port	109
PF5	Port 5 function register	Port	114

(6/19)

Symbol	Name	Unit	Page
PF9	Port 9 function register	Port	118
PF9H	Port 9 function register H	Port	118
PF9L	Port 9 function register L	Port	118
PFC0	Port 0 function control register	Port	98
PFC3	Port 3 function control register	Port	104
PFC3H	Port 3 function control register H	Port	104
PFC3L	Port 3 function control register L	Port	104
PFC4	Port 4 function control register	Port	109
PFC5	Port 5 function control register	Port	112
PFC9	Port 9 function control register	Port	121
PFC9H	Port 9 function control register H	Port	121
PFC9L	Port 9 function control register L	Port	121
PFCE0	Port 0 function control extension register	Port	98
PFCE3L	Port 3 function control extension register L	Port	105
PFCE5	Port 5 function control extension register	Port	112
PFCE9	Port 9 function control extension register	Port	121
PFCE9H	Port 9 function control extension register H	Port	121
PFCE9L	Port 9 function control extension register L	Port	121
PIC0	Interrupt control register	INTC	979
PIC1	Interrupt control register	INTC	979
PIC2	Interrupt control register	INTC	979
PIC3	Interrupt control register	INTC	979
PIC4	Interrupt control register	INTC	979
PIC5	Interrupt control register	INTC	979
PIC6	Interrupt control register	INTC	979
PIC7	Interrupt control register	INTC	979
PLLCTL	PLL control register	CG	215
PLLS	PLL lockup time specification register	CG	218
PM0	Port 0 mode register	Port	97
PM1	Port 1 mode register	Port	101
PM3	Port 3 mode register	Port	103
PM3H	Port 3 mode register H	Port	103
PM3L	Port 3 mode register L	Port	103
PM4	Port 4 mode register	Port	108
PM5	Port 5 mode register	Port	111
PM7H	Port 7 mode register H	Port	116
PM7L	Port 7 mode register L	Port	116
PM9	Port 9 mode register	Port	118
PM9H	Port 9 mode register H	Port	118
PM9L	Port 9 mode register L	Port	118
PMC0	Port 0 mode control register	Port	97
PMC3	Port 3 mode control register	Port	104
PMC3H	Port 3 mode control register H	Port	104
PMC3L	Port 3 mode control register L	Port	104
PMC4	Port 4 mode control register	Port	109

(7/19)

Symbol	Name	Unit	Page
PMCCM	Port CM mode control register	Port	126
PMCCT	Port CT mode control register	Port	128
PMCDH	Port DH mode control register	Port	130
PMCDL	Port DL mode control register	Port	133
PMCDLH	Port DL mode control register H	Port	133
PMCDLL	Port DL mode control register L	Port	133
PMCM	Port CM mode register	Port	125
PMCT	Port CT mode register	Port	127
PMDH	Port DH mode register	Port	130
PMDL	Port DL mode register	Port	132
PMDLH	Port DL mode register H	Port	132
PMDLL	Port DL mode register L	Port	133
PRCMD	Command register	CPU	84
PRSCM0	Prescaler compare register 0	RTC	443
PRSCM1	Prescaler compare register 1	BRG	668
PRSCM2	Prescaler compare register 2	BRG	668
PRSCM3	Prescaler compare register 3	BRG	668
PRSM0	Prescaler mode register 0	RTC	442, 467
PRSM1	Prescaler mode register 1	BRG	667
PRSM2	Prescaler mode register 2	BRG	667
PRSM3	Prescaler mode register 3	BRG	667
PSC	Power save control register	CG	1006
PSMR	Power save mode register	CG	1007
PSW	Program status word	CPU	984
r0 to r31	General-purpose registers	CPU	52
RC1ALH	Alarm minute set register	RTC	465
RC1ALM	Alarm time set register	RTC	465
RC1ALW	Alarm week set register	RTC	466
RC1CC0	RTC control register 0	RTC	454
RC1CC1	RTC control register 1	RTC	455
RC1CC2	RTC control register 2	RTC	456
RC1CC3	RTC control register 3	RTC	457
RC1DAY	Day count register	RTC	461
RC1HOUR	Hour count register	RTC	459
RC1MIN	Minute count register	RTC	459
RC1MONTH	Month count register	RTC	463
RC1SEC	Second count register	RTC	458
RC1SUBC	Sub-count register	RTC	458
RC1SUBU	Time error correction register	RTC	464
RC1WEEK	Week count register	RTC	462
RC1YEAR	Year count register	RTC	463
RCM	Internal oscillation mode register	CG	211
REGOVL0	Regulator output voltage level control register 0	REGC	1010
REGPR	Regulator protection register	REGC	1009
RESF	Reset source flag register	Reset	1048

(8/19)

Symbol	Name	Unit	Page
RTBH0	Real-time output buffer register 0H	RTP	488
RTBL0	Real-time output buffer register 0L	RTP	488
RTC0IC	Interrupt control register	INTC	979
RTC1IC	Interrupt control register	INTC	979
RTC2IC	Interrupt control register	INTC	979
RTCBUMCTL0	RTC backup control register 0	RTC	1037
RTPC0	Real-time output port control register 0	RTP	490
RTPM0	Real-time output port mode register 0	RTP	489
SOSCAMCTL	Subclock low-power operation control register	Standby	1038
SVA0	Slave address register 0	I ² C	693
SVA1	Slave address register 1	I ² C	693
SVA2	Slave address register 2	I ² C	693
SYS	System status register	CPU	85
TM0CMP0	TMM0 compare register 0	Timer	433
TM0CTL0	TMM0 control register 0	Timer	432
TM0EQIC0	Interrupt control register	INTC	979
TP0CCIC0	Interrupt control register	INTC	979
TP0CCIC1	Interrupt control register	INTC	979
TP0CCR0	TMP0 capture/compare register 0	Timer	235
TP0CCR1	TMP0 capture/compare register 1	Timer	237
TP0CNT	TMP0 counter read buffer register	Timer	239
TP0CTL0	TMP0 control register 0	Timer	229
TP0CTL1	TMP0 control register 1	Timer	230
TP0IOC0	TMP0 I/O control register 0	Timer	231
TP0IOC1	TMP0 I/O control register 1	Timer	232
TP0IOC2	TMP0 I/O control register 2	Timer	233
TP0OPT0	TMP0 option register 0	Timer	234
TP0OVIC	Interrupt control register	INTC	979
TP1CCIC0	Interrupt control register	INTC	979
TP1CCIC1	Interrupt control register	INTC	979
TP1CCR0	TMP1 capture/compare register 0	Timer	235
TP1CCR1	TMP1 capture/compare register 1	Timer	237
TP1CNT	TMP1 counter read buffer register	Timer	239
TP1CTL0	TMP1 control register 0	Timer	229
TP1OVIC	Interrupt control register	INTC	979
TP2CCIC0	Interrupt control register	INTC	979
TP2CCIC1	Interrupt control register	INTC	979
TP2CCR0	TMP2 capture/compare register 0	Timer	235
TP2CCR1	TMP2 capture/compare register 1	Timer	237
TP2CNT	TMP2 counter read buffer register	Timer	239
TP2CTL0	TMP2 control register 0	Timer	229
TP2CTL1	TMP2 control register 1	Timer	230
TP2IOC0	TMP2 I/O control register 0	Timer	231
TP2IOC1	TMP2 I/O control register 1	Timer	232

(9/19)

Symbol	Name	Unit	Page
TP2IOC2	TMP2 I/O control register 2	Timer	233
TP2OPT0	TMP2 option register 0	Timer	234
TP2OVIC	Interrupt control register	INTC	979
TP3CCIC0	Interrupt control register	INTC	979
TP3CCIC1	Interrupt control register	INTC	979
TP3CCR0	TMP3 capture/compare register 0	Timer	235
TP3CCR1	TMP3 capture/compare register 1	Timer	237
TP3CNT	TMP3 counter read buffer register	Timer	239
TP3CTL0	TMP3 control register 0	Timer	229
TP3CTL1	TMP3 control register 1	Timer	230
TP3IOC0	TMP3 I/O control register 0	Timer	231
TP3IOC1	TMP3 I/O control register 1	Timer	232
TP3IOC2	TMP3 I/O control register 2	Timer	233
TP3OPT0	TMP3 option register 0	Timer	234
TP3OVIC	Interrupt control register	INTC	979
TP4CCIC0	Interrupt control register	INTC	979
TP4CCIC1	Interrupt control register	INTC	979
TP4CCR0	TMP4 capture/compare register 0	Timer	235
TP4CCR1	TMP4 capture/compare register 1	Timer	237
TP4CNT	TMP4 counter read buffer register	Timer	239
TP4CTL0	TMP4 control register 0	Timer	229
TP4CTL1	TMP4 control register 1	Timer	230
TP4IOC0	TMP4 I/O control register 0	Timer	231
TP4IOC1	TMP4 I/O control register 1	Timer	232
TP4IOC2	TMP4 I/O control register 2	Timer	233
TP4OPT0	TMP4 option register 0	Timer	234
TP4OVIC	Interrupt control register	INTC	979
TP5CCIC0	Interrupt control register	INTC	979
TP5CCIC1	Interrupt control register	INTC	979
TP5CCR0	TMP5 capture/compare register 0	Timer	235
TP5CCR1	TMP5 capture/compare register 1	Timer	237
TP5CNT	TMP5 counter read buffer register	Timer	239
TP5CTL0	TMP5 control register 0	Timer	229
TP5CTL1	TMP5 control register 1	Timer	230
TP5IOC0	TMP5 I/O control register 0	Timer	231
TP5IOC1	TMP5 I/O control register 1	Timer	232
TP5IOC2	TMP5 I/O control register 2	Timer	233
TP5OPT0	TMP5 option register 0	Timer	234
TP5OVIC	Interrupt control register	INTC	979
TQ0CCIC0	Interrupt control register	INTC	979
TQ0CCIC1	Interrupt control register	INTC	979
TQ0CCIC2	Interrupt control register	INTC	979
TQ0CCIC3	Interrupt control register	INTC	979
TQ0CCR0	TMQ0 capture/compare register 0	Timer	330
TQ0CCR1	TMQ0 capture/compare register 1	Timer	332

(10/19)

Symbol	Name	Unit	Page
TQ0CCR2	TMQ0 capture/compare register 2	Timer	334
TQ0CCR3	TMQ0 capture/compare register 3	Timer	336
TQ0CNT	TMQ0 counter read buffer register	Timer	337
TQ0CTL0	TMQ0 control register 0	Timer	324
TQ0CTL1	TMQ0 control register 1	Timer	325
TQ0IOC0	TMQ0 I/O control register 0	Timer	326
TQ0IOC1	TMQ0 I/O control register 1	Timer	327
TQ0IOC2	TMQ0 I/O control register 2	Timer	328
TQ0OPT0	TMQ0 option register 0	Timer	329
TQ0OVIC	Interrupt control register	INTC	979
UA0CTL0	UARTA0 control register 0	UARTA	547
UA0CTL1	UARTA0 control register 1	UARTA	571
UA0CTL2	UARTA0 control register 2	UARTA	572
UA0OPT0	UARTA0 option control register 0	UARTA	549
UA0RIC	Interrupt control register	INTC	979
UA0RX	UARTA0 receive data register	UARTA	553
UA0STR	UARTA0 status register	UARTA	551
UA0TIC	Interrupt control register	INTC	979
UA0TX	UARTA0 transmit data register	UARTA	553
UA1CTL0	UARTA1 control register 0	UARTA	547
UA1CTL1	UARTA1 control register 1	UARTA	571
UA1CTL2	UARTA1 control register 2	UARTA	572
UA1OPT0	UARTA1 option control register 0	UARTA	549
UA1RIC	Interrupt control register	INTC	979
UA1RX	UARTA1 receive data register	UARTA	553
UA1STR	UARTA1 status register	UARTA	551
UA1TIC	Interrupt control register	INTC	979
UA1TX	UARTA1 transmit data register	UARTA	553
UA2CTL0	UARTA2 control register 0	UARTA	547
UA2CTL1	UARTA2 control register 1	UARTA	571
UA2CTL2	UARTA2 control register 2	UARTA	572
UA2OPT0	UARTA2 option control register 0	UARTA	549
UA2RIC	Interrupt control register	INTC	979
UA2RX	UARTA2 receive data register	UARTA	552
UA2STR	UARTA2 status register	UARTA	551
UA2TIC	Interrupt control register	INTC	979
UA2TX	UARTA2 transmit data register	UARTA	553
UA3CTL0	UARTA3 control register 0	UARTA	547
UA3CTL1	UARTA3 control register 1	UARTA	571
UA3CTL2	UARTA3 control register 2	UARTA	572
UA3OPT0	UARTA3 option control register 0	UARTA	549
UA3RIC	Interrupt control register	INTC	979
UA3RX	UARTA3 receive data register	UARTA	552
UA3STR	UARTA3 status register	UARTA	551
UA3TIC	Interrupt control register	INTC	979

(11/19)

Symbol	Name	Unit	Page
UA3TX	UARTA3 transmit data register	UARTA	553
UA4CTL0	UARTA4 control register 0	UARTA	547
UA4CTL1	UARTA4 control register 1	UARTA	571
UA4CTL2	UARTA4 control register 2	UARTA	572
UA4OPT0	UARTA4 option control register 0	UARTA	549
UA4RIC	Interrupt control register	INTC	979
UA4RX	UARTA4 receive data register	UARTA	553
UA4STR	UARTA4 status register	UARTA	551
UA4TIC	Interrupt control register	INTC	979
UA4TX	UARTA4 transmit data register	UARTA	553
UA5CTL0	UARTA5 control register 0	UARTA	547
UA5CTL1	UARTA5 control register 1	UARTA	571
UA5CTL2	UARTA5 control register 2	UARTA	572
UA5OPT0	UARTA5 option control register 0	UARTA	549
UA5RIC	Interrupt control register	INTC	979
UA5RX	UARTA5 receive data register	UARTA	553
UA5STR	UARTA5 status register	UARTA	551
UA5TIC	Interrupt control register	INTC	979
UA5TX	UARTA5 transmit data register	UARTA	553
UC0CTL0	UARTC0 control register 0	UARTC	584
UC0CTL1	UARTC0 control register 1	UARTC	610
UC0CTL2	UARTC0 control register 2	UARTC	611
UC0OPT0	UARTC0 option control register 0	UARTC	586
UC0OPT1	UARTC0 option control register 1	UARTC	588
UC0RIC	Interrupt control register	INTC	979
UC0RX	UARTC0 receive data register	UARTC	591
UC0RXL	UARTC0 receive data register L	UARTC	591
UC0STR	UARTC0 status register	UARTC	590
UC0TIC	Interrupt control register	INTC	979
UC0TX	UARTC0 transmit data register	UARTC	592
UC0TXL	UARTC0 transmit data register L	UARTC	592
UCKSEL	USB clock select register	USBF	764
UF0AAS	UF0 active alternative setting register	USBF	826
UF0ADRS	UF0 address register	USBF	863
UF0AIFN	UF0 active interface number register	USBF	825
UF0ASS	UF0 alternative setting status register	USBF	827
UF0BI1	UF0 bulk-in 1 register	USBF	846
UF0BI2	UF0 bulk-in 2 register	USBF	850
UF0BO1	UF0 bulk-out 1 register	USBF	839
UF0BO1L	UF0 bulk-out 1 length register	USBF	842
UF0BO2	UF0 bulk-out 2 register	USBF	843
UF0BO2L	UF0 bulk-out 2 length register	USBF	846
UF0CIE0	UF0 configuration/interface/endpoint descriptor register 0	USBF	869
UF0CIE1	UF0 configuration/interface/endpoint descriptor register 1	USBF	869
UF0CIE2	UF0 configuration/interface/endpoint descriptor register 2	USBF	869

(12/19)

Symbol	Name	Unit	Page
UF0CIE3	UF0 configuration/interface/endpoint descriptor register 3	USBF	869
UF0CIE4	UF0 configuration/interface/endpoint descriptor register 4	USBF	869
UF0CIE5	UF0 configuration/interface/endpoint descriptor register 5	USBF	869
UF0CIE6	UF0 configuration/interface/endpoint descriptor register 6	USBF	869
UF0CIE7	UF0 configuration/interface/endpoint descriptor register 7	USBF	869
UF0CIE8	UF0 configuration/interface/endpoint descriptor register 8	USBF	869
UF0CIE9	UF0 configuration/interface/endpoint descriptor register 9	USBF	869
UF0CIE10	UF0 configuration/interface/endpoint descriptor register 10	USBF	869
UF0CIE11	UF0 configuration/interface/endpoint descriptor register 11	USBF	869
UF0CIE12	UF0 configuration/interface/endpoint descriptor register 12	USBF	869
UF0CIE13	UF0 configuration/interface/endpoint descriptor register 13	USBF	869
UF0CIE14	UF0 configuration/interface/endpoint descriptor register 14	USBF	869
UF0CIE15	UF0 configuration/interface/endpoint descriptor register 15	USBF	869
UF0CIE16	UF0 configuration/interface/endpoint descriptor register 16	USBF	869
UF0CIE17	UF0 configuration/interface/endpoint descriptor register 17	USBF	869
UF0CIE18	UF0 configuration/interface/endpoint descriptor register 18	USBF	869
UF0CIE19	UF0 configuration/interface/endpoint descriptor register 19	USBF	869
UF0CIE20	UF0 configuration/interface/endpoint descriptor register 20	USBF	869
UF0CIE21	UF0 configuration/interface/endpoint descriptor register 21	USBF	869
UF0CIE22	UF0 configuration/interface/endpoint descriptor register 22	USBF	869
UF0CIE23	UF0 configuration/interface/endpoint descriptor register 23	USBF	869
UF0CIE24	UF0 configuration/interface/endpoint descriptor register 24	USBF	869
UF0CIE25	UF0 configuration/interface/endpoint descriptor register 25	USBF	869
UF0CIE26	UF0 configuration/interface/endpoint descriptor register 26	USBF	869
UF0CIE27	UF0 configuration/interface/endpoint descriptor register 27	USBF	869
UF0CIE28	UF0 configuration/interface/endpoint descriptor register 28	USBF	869
UF0CIE29	UF0 configuration/interface/endpoint descriptor register 29	USBF	869
UF0CIE30	UF0 configuration/interface/endpoint descriptor register 30	USBF	869
UF0CIE31	UF0 configuration/interface/endpoint descriptor register 31	USBF	869
UF0CIE32	UF0 configuration/interface/endpoint descriptor register 32	USBF	869
UF0CIE33	UF0 configuration/interface/endpoint descriptor register 33	USBF	869
UF0CIE34	UF0 configuration/interface/endpoint descriptor register 34	USBF	869
UF0CIE35	UF0 configuration/interface/endpoint descriptor register 35	USBF	869
UF0CIE36	UF0 configuration/interface/endpoint descriptor register 36	USBF	869
UF0CIE37	UF0 configuration/interface/endpoint descriptor register 37	USBF	869
UF0CIE38	UF0 configuration/interface/endpoint descriptor register 38	USBF	869
UF0CIE39	UF0 configuration/interface/endpoint descriptor register 39	USBF	869
UF0CIE40	UF0 configuration/interface/endpoint descriptor register 40	USBF	869
UF0CIE41	UF0 configuration/interface/endpoint descriptor register 41	USBF	869
UF0CIE42	UF0 configuration/interface/endpoint descriptor register 42	USBF	869
UF0CIE43	UF0 configuration/interface/endpoint descriptor register 43	USBF	869
UF0CIE44	UF0 configuration/interface/endpoint descriptor register 44	USBF	869
UF0CIE45	UF0 configuration/interface/endpoint descriptor register 45	USBF	869
UF0CIE46	UF0 configuration/interface/endpoint descriptor register 46	USBF	869
UF0CIE47	UF0 configuration/interface/endpoint descriptor register 47	USBF	869

(13/19)

Symbol	Name	Unit	Page
UF0CIE48	UF0 configuration/interface/endpoint descriptor register 48	USBF	869
UF0CIE49	UF0 configuration/interface/endpoint descriptor register 49	USBF	869
UF0CIE50	UF0 configuration/interface/endpoint descriptor register 50	USBF	869
UF0CIE51	UF0 configuration/interface/endpoint descriptor register 51	USBF	869
UF0CIE52	UF0 configuration/interface/endpoint descriptor register 52	USBF	869
UF0CIE53	UF0 configuration/interface/endpoint descriptor register 53	USBF	869
UF0CIE54	UF0 configuration/interface/endpoint descriptor register 54	USBF	869
UF0CIE55	UF0 configuration/interface/endpoint descriptor register 55	USBF	869
UF0CIE56	UF0 configuration/interface/endpoint descriptor register 56	USBF	869
UF0CIE57	UF0 configuration/interface/endpoint descriptor register 57	USBF	869
UF0CIE58	UF0 configuration/interface/endpoint descriptor register 58	USBF	869
UF0CIE59	UF0 configuration/interface/endpoint descriptor register 59	USBF	869
UF0CIE60	UF0 configuration/interface/endpoint descriptor register 60	USBF	869
UF0CIE61	UF0 configuration/interface/endpoint descriptor register 61	USBF	869
UF0CIE62	UF0 configuration/interface/endpoint descriptor register 62	USBF	869
UF0CIE63	UF0 configuration/interface/endpoint descriptor register 63	USBF	869
UF0CIE64	UF0 configuration/interface/endpoint descriptor register 64	USBF	869
UF0CIE65	UF0 configuration/interface/endpoint descriptor register 65	USBF	869
UF0CIE66	UF0 configuration/interface/endpoint descriptor register 66	USBF	869
UF0CIE67	UF0 configuration/interface/endpoint descriptor register 67	USBF	869
UF0CIE68	UF0 configuration/interface/endpoint descriptor register 68	USBF	869
UF0CIE69	UF0 configuration/interface/endpoint descriptor register 69	USBF	869
UF0CIE70	UF0 configuration/interface/endpoint descriptor register 70	USBF	869
UF0CIE71	UF0 configuration/interface/endpoint descriptor register 71	USBF	869
UF0CIE72	UF0 configuration/interface/endpoint descriptor register 72	USBF	869
UF0CIE73	UF0 configuration/interface/endpoint descriptor register 73	USBF	869
UF0CIE74	UF0 configuration/interface/endpoint descriptor register 74	USBF	869
UF0CIE75	UF0 configuration/interface/endpoint descriptor register 75	USBF	869
UF0CIE76	UF0 configuration/interface/endpoint descriptor register 76	USBF	869
UF0CIE77	UF0 configuration/interface/endpoint descriptor register 77	USBF	869
UF0CIE78	UF0 configuration/interface/endpoint descriptor register 78	USBF	869
UF0CIE79	UF0 configuration/interface/endpoint descriptor register 79	USBF	869
UF0CIE80	UF0 configuration/interface/endpoint descriptor register 80	USBF	869
UF0CIE81	UF0 configuration/interface/endpoint descriptor register 81	USBF	869
UF0CIE82	UF0 configuration/interface/endpoint descriptor register 82	USBF	869
UF0CIE83	UF0 configuration/interface/endpoint descriptor register 83	USBF	869
UF0CIE84	UF0 configuration/interface/endpoint descriptor register 84	USBF	869
UF0CIE85	UF0 configuration/interface/endpoint descriptor register 85	USBF	869
UF0CIE86	UF0 configuration/interface/endpoint descriptor register 86	USBF	869
UF0CIE87	UF0 configuration/interface/endpoint descriptor register 87	USBF	869
UF0CIE88	UF0 configuration/interface/endpoint descriptor register 88	USBF	869
UF0CIE89	UF0 configuration/interface/endpoint descriptor register 89	USBF	869
UF0CIE90	UF0 configuration/interface/endpoint descriptor register 90	USBF	869
UF0CIE91	UF0 configuration/interface/endpoint descriptor register 91	USBF	869
UF0CIE92	UF0 configuration/interface/endpoint descriptor register 92	USBF	869

(14/19)

Symbol	Name	Unit	Page
UF0CIE93	UF0 configuration/interface/endpoint descriptor register 93	USBF	869
UF0CIE94	UF0 configuration/interface/endpoint descriptor register 94	USBF	869
UF0CIE95	UF0 configuration/interface/endpoint descriptor register 95	USBF	869
UF0CIE96	UF0 configuration/interface/endpoint descriptor register 96	USBF	869
UF0CIE97	UF0 configuration/interface/endpoint descriptor register 97	USBF	869
UF0CIE98	UF0 configuration/interface/endpoint descriptor register 98	USBF	869
UF0CIE99	UF0 configuration/interface/endpoint descriptor register 99	USBF	869
UF0CIE100	UF0 configuration/interface/endpoint descriptor register 100	USBF	869
UF0CIE101	UF0 configuration/interface/endpoint descriptor register 101	USBF	869
UF0CIE102	UF0 configuration/interface/endpoint descriptor register 102	USBF	869
UF0CIE103	UF0 configuration/interface/endpoint descriptor register 103	USBF	869
UF0CIE104	UF0 configuration/interface/endpoint descriptor register 104	USBF	869
UF0CIE105	UF0 configuration/interface/endpoint descriptor register 105	USBF	869
UF0CIE106	UF0 configuration/interface/endpoint descriptor register 106	USBF	869
UF0CIE107	UF0 configuration/interface/endpoint descriptor register 107	USBF	869
UF0CIE108	UF0 configuration/interface/endpoint descriptor register 108	USBF	869
UF0CIE109	UF0 configuration/interface/endpoint descriptor register 109	USBF	869
UF0CIE110	UF0 configuration/interface/endpoint descriptor register 110	USBF	869
UF0CIE111	UF0 configuration/interface/endpoint descriptor register 111	USBF	869
UF0CIE112	UF0 configuration/interface/endpoint descriptor register 112	USBF	869
UF0CIE113	UF0 configuration/interface/endpoint descriptor register 113	USBF	869
UF0CIE114	UF0 configuration/interface/endpoint descriptor register 114	USBF	869
UF0CIE115	UF0 configuration/interface/endpoint descriptor register 115	USBF	869
UF0CIE116	UF0 configuration/interface/endpoint descriptor register 116	USBF	869
UF0CIE117	UF0 configuration/interface/endpoint descriptor register 117	USBF	869
UF0CIE118	UF0 configuration/interface/endpoint descriptor register 118	USBF	869
UF0CIE119	UF0 configuration/interface/endpoint descriptor register 119	USBF	869
UF0CIE120	UF0 configuration/interface/endpoint descriptor register 120	USBF	869
UF0CIE121	UF0 configuration/interface/endpoint descriptor register 121	USBF	869
UF0CIE122	UF0 configuration/interface/endpoint descriptor register 122	USBF	869
UF0CIE123	UF0 configuration/interface/endpoint descriptor register 123	USBF	869
UF0CIE124	UF0 configuration/interface/endpoint descriptor register 124	USBF	869
UF0CIE125	UF0 configuration/interface/endpoint descriptor register 125	USBF	869
UF0CIE126	UF0 configuration/interface/endpoint descriptor register 126	USBF	869
UF0CIE127	UF0 configuration/interface/endpoint descriptor register 127	USBF	869
UF0CIE128	UF0 configuration/interface/endpoint descriptor register 128	USBF	869
UF0CIE129	UF0 configuration/interface/endpoint descriptor register 129	USBF	869
UF0CIE130	UF0 configuration/interface/endpoint descriptor register 130	USBF	869
UF0CIE131	UF0 configuration/interface/endpoint descriptor register 131	USBF	869
UF0CIE132	UF0 configuration/interface/endpoint descriptor register 132	USBF	869
UF0CIE133	UF0 configuration/interface/endpoint descriptor register 133	USBF	869
UF0CIE134	UF0 configuration/interface/endpoint descriptor register 134	USBF	869
UF0CIE135	UF0 configuration/interface/endpoint descriptor register 135	USBF	869
UF0CIE136	UF0 configuration/interface/endpoint descriptor register 136	USBF	869
UF0CIE137	UF0 configuration/interface/endpoint descriptor register 137	USBF	869

(15/19)

Symbol	Name	Unit	Page
UF0CIE138	UF0 configuration/interface/endpoint descriptor register 138	USBF	869
UF0CIE139	UF0 configuration/interface/endpoint descriptor register 139	USBF	869
UF0CIE140	UF0 configuration/interface/endpoint descriptor register 140	USBF	869
UF0CIE141	UF0 configuration/interface/endpoint descriptor register 141	USBF	869
UF0CIE142	UF0 configuration/interface/endpoint descriptor register 142	USBF	869
UF0CIE143	UF0 configuration/interface/endpoint descriptor register 143	USBF	869
UF0CIE144	UF0 configuration/interface/endpoint descriptor register 144	USBF	869
UF0CIE145	UF0 configuration/interface/endpoint descriptor register 145	USBF	869
UF0CIE146	UF0 configuration/interface/endpoint descriptor register 146	USBF	869
UF0CIE147	UF0 configuration/interface/endpoint descriptor register 147	USBF	869
UF0CIE148	UF0 configuration/interface/endpoint descriptor register 148	USBF	869
UF0CIE149	UF0 configuration/interface/endpoint descriptor register 149	USBF	869
UF0CIE150	UF0 configuration/interface/endpoint descriptor register 150	USBF	869
UF0CIE151	UF0 configuration/interface/endpoint descriptor register 151	USBF	869
UF0CIE152	UF0 configuration/interface/endpoint descriptor register 152	USBF	869
UF0CIE153	UF0 configuration/interface/endpoint descriptor register 153	USBF	869
UF0CIE154	UF0 configuration/interface/endpoint descriptor register 154	USBF	869
UF0CIE155	UF0 configuration/interface/endpoint descriptor register 155	USBF	869
UF0CIE156	UF0 configuration/interface/endpoint descriptor register 156	USBF	869
UF0CIE157	UF0 configuration/interface/endpoint descriptor register 157	USBF	869
UF0CIE158	UF0 configuration/interface/endpoint descriptor register 158	USBF	869
UF0CIE159	UF0 configuration/interface/endpoint descriptor register 159	USBF	869
UF0CIE160	UF0 configuration/interface/endpoint descriptor register 160	USBF	869
UF0CIE161	UF0 configuration/interface/endpoint descriptor register 161	USBF	869
UF0CIE162	UF0 configuration/interface/endpoint descriptor register 162	USBF	869
UF0CIE163	UF0 configuration/interface/endpoint descriptor register 163	USBF	869
UF0CIE164	UF0 configuration/interface/endpoint descriptor register 164	USBF	869
UF0CIE165	UF0 configuration/interface/endpoint descriptor register 165	USBF	869
UF0CIE166	UF0 configuration/interface/endpoint descriptor register 166	USBF	869
UF0CIE167	UF0 configuration/interface/endpoint descriptor register 167	USBF	869
UF0CIE168	UF0 configuration/interface/endpoint descriptor register 168	USBF	869
UF0CIE169	UF0 configuration/interface/endpoint descriptor register 169	USBF	869
UF0CIE170	UF0 configuration/interface/endpoint descriptor register 170	USBF	869
UF0CIE171	UF0 configuration/interface/endpoint descriptor register 171	USBF	869
UF0CIE172	UF0 configuration/interface/endpoint descriptor register 172	USBF	869
UF0CIE173	UF0 configuration/interface/endpoint descriptor register 173	USBF	869
UF0CIE174	UF0 configuration/interface/endpoint descriptor register 174	USBF	869
UF0CIE175	UF0 configuration/interface/endpoint descriptor register 175	USBF	869
UF0CIE176	UF0 configuration/interface/endpoint descriptor register 176	USBF	869
UF0CIE177	UF0 configuration/interface/endpoint descriptor register 177	USBF	869
UF0CIE178	UF0 configuration/interface/endpoint descriptor register 178	USBF	869
UF0CIE179	UF0 configuration/interface/endpoint descriptor register 179	USBF	869
UF0CIE180	UF0 configuration/interface/endpoint descriptor register 180	USBF	869
UF0CIE181	UF0 configuration/interface/endpoint descriptor register 181	USBF	869
UF0CIE182	UF0 configuration/interface/endpoint descriptor register 182	USBF	869

(16/19)

Symbol	Name	Unit	Page
UF0CIE183	UF0 configuration/interface/endpoint descriptor register 183	USBF	869
UF0CIE184	UF0 configuration/interface/endpoint descriptor register 184	USBF	869
UF0CIE185	UF0 configuration/interface/endpoint descriptor register 185	USBF	869
UF0CIE186	UF0 configuration/interface/endpoint descriptor register 186	USBF	869
UF0CIE187	UF0 configuration/interface/endpoint descriptor register 187	USBF	869
UF0CIE188	UF0 configuration/interface/endpoint descriptor register 188	USBF	869
UF0CIE189	UF0 configuration/interface/endpoint descriptor register 189	USBF	869
UF0CIE190	UF0 configuration/interface/endpoint descriptor register 190	USBF	869
UF0CIE191	UF0 configuration/interface/endpoint descriptor register 191	USBF	869
UF0CIE192	UF0 configuration/interface/endpoint descriptor register 192	USBF	869
UF0CIE193	UF0 configuration/interface/endpoint descriptor register 193	USBF	869
UF0CIE194	UF0 configuration/interface/endpoint descriptor register 194	USBF	869
UF0CIE195	UF0 configuration/interface/endpoint descriptor register 195	USBF	869
UF0CIE196	UF0 configuration/interface/endpoint descriptor register 196	USBF	869
UF0CIE197	UF0 configuration/interface/endpoint descriptor register 197	USBF	869
UF0CIE198	UF0 configuration/interface/endpoint descriptor register 198	USBF	869
UF0CIE199	UF0 configuration/interface/endpoint descriptor register 199	USBF	869
UF0CIE200	UF0 configuration/interface/endpoint descriptor register 200	USBF	869
UF0CIE201	UF0 configuration/interface/endpoint descriptor register 201	USBF	869
UF0CIE202	UF0 configuration/interface/endpoint descriptor register 202	USBF	869
UF0CIE203	UF0 configuration/interface/endpoint descriptor register 203	USBF	869
UF0CIE204	UF0 configuration/interface/endpoint descriptor register 204	USBF	869
UF0CIE205	UF0 configuration/interface/endpoint descriptor register 205	USBF	869
UF0CIE206	UF0 configuration/interface/endpoint descriptor register 206	USBF	869
UF0CIE207	UF0 configuration/interface/endpoint descriptor register 207	USBF	869
UF0CIE208	UF0 configuration/interface/endpoint descriptor register 208	USBF	869
UF0CIE209	UF0 configuration/interface/endpoint descriptor register 209	USBF	869
UF0CIE210	UF0 configuration/interface/endpoint descriptor register 210	USBF	869
UF0CIE211	UF0 configuration/interface/endpoint descriptor register 211	USBF	869
UF0CIE212	UF0 configuration/interface/endpoint descriptor register 212	USBF	869
UF0CIE213	UF0 configuration/interface/endpoint descriptor register 213	USBF	869
UF0CIE214	UF0 configuration/interface/endpoint descriptor register 214	USBF	869
UF0CIE215	UF0 configuration/interface/endpoint descriptor register 215	USBF	869
UF0CIE216	UF0 configuration/interface/endpoint descriptor register 216	USBF	869
UF0CIE217	UF0 configuration/interface/endpoint descriptor register 217	USBF	869
UF0CIE218	UF0 configuration/interface/endpoint descriptor register 218	USBF	869
UF0CIE219	UF0 configuration/interface/endpoint descriptor register 219	USBF	869
UF0CIE220	UF0 configuration/interface/endpoint descriptor register 220	USBF	869
UF0CIE221	UF0 configuration/interface/endpoint descriptor register 221	USBF	869
UF0CIE222	UF0 configuration/interface/endpoint descriptor register 222	USBF	869
UF0CIE223	UF0 configuration/interface/endpoint descriptor register 223	USBF	869
UF0CIE224	UF0 configuration/interface/endpoint descriptor register 224	USBF	869
UF0CIE225	UF0 configuration/interface/endpoint descriptor register 225	USBF	869
UF0CIE226	UF0 configuration/interface/endpoint descriptor register 226	USBF	869
UF0CIE227	UF0 configuration/interface/endpoint descriptor register 227	USBF	869
UF0CIE228	UF0 configuration/interface/endpoint descriptor register 228	USBF	869

(17/19)

Symbol	Name	Unit	Page
UF0CIE229	UF0 configuration/interface/endpoint descriptor register 229	USBF	869
UF0CIE230	UF0 configuration/interface/endpoint descriptor register 230	USBF	869
UF0CIE231	UF0 configuration/interface/endpoint descriptor register 231	USBF	869
UF0CIE232	UF0 configuration/interface/endpoint descriptor register 232	USBF	869
UF0CIE233	UF0 configuration/interface/endpoint descriptor register 233	USBF	869
UF0CIE234	UF0 configuration/interface/endpoint descriptor register 234	USBF	869
UF0CIE235	UF0 configuration/interface/endpoint descriptor register 235	USBF	869
UF0CIE236	UF0 configuration/interface/endpoint descriptor register 236	USBF	869
UF0CIE237	UF0 configuration/interface/endpoint descriptor register 237	USBF	869
UF0CIE238	UF0 configuration/interface/endpoint descriptor register 238	USBF	869
UF0CIE239	UF0 configuration/interface/endpoint descriptor register 239	USBF	869
UF0CIE240	UF0 configuration/interface/endpoint descriptor register 240	USBF	869
UF0CIE241	UF0 configuration/interface/endpoint descriptor register 241	USBF	869
UF0CIE242	UF0 configuration/interface/endpoint descriptor register 242	USBF	869
UF0CIE243	UF0 configuration/interface/endpoint descriptor register 243	USBF	869
UF0CIE244	UF0 configuration/interface/endpoint descriptor register 244	USBF	869
UF0CIE245	UF0 configuration/interface/endpoint descriptor register 245	USBF	869
UF0CIE246	UF0 configuration/interface/endpoint descriptor register 246	USBF	869
UF0CIE247	UF0 configuration/interface/endpoint descriptor register 247	USBF	869
UF0CIE248	UF0 configuration/interface/endpoint descriptor register 248	USBF	869
UF0CIE249	UF0 configuration/interface/endpoint descriptor register 249	USBF	869
UF0CIE250	UF0 configuration/interface/endpoint descriptor register 250	USBF	869
UF0CIE251	UF0 configuration/interface/endpoint descriptor register 251	USBF	869
UF0CIE252	UF0 configuration/interface/endpoint descriptor register 252	USBF	869
UF0CIE253	UF0 configuration/interface/endpoint descriptor register 253	USBF	869
UF0CIE254	UF0 configuration/interface/endpoint descriptor register 254	USBF	869
UF0CIE255	UF0 configuration/interface/endpoint descriptor register 255	USBF	869
UF0CLR	UF0 CLR request register	USBF	790
UF0CNF	UF0 configuration register	USBF	864
UF0DD0	UF0 device descriptor register 0	USBF	868
UF0DD1	UF0 device descriptor register 1	USBF	868
UF0DD2	UF0 device descriptor register 2	USBF	868
UF0DD3	UF0 device descriptor register 3	USBF	868
UF0DD4	UF0 device descriptor register 4	USBF	868
UF0DD5	UF0 device descriptor register 5	USBF	868
UF0DD6	UF0 device descriptor register 6	USBF	868
UF0DD7	UF0 device descriptor register 7	USBF	868
UF0DD8	UF0 device descriptor register 8	USBF	868
UF0DD9	UF0 device descriptor register 9	USBF	868
UF0DD10	UF0 device descriptor register 10	USBF	868
UF0DD11	UF0 device descriptor register 11	USBF	868
UF0DD12	UF0 device descriptor register 12	USBF	868
UF0DD13	UF0 device descriptor register 13	USBF	868
UF0DD14	UF0 device descriptor register 14	USBF	868
UF0DD15	UF0 device descriptor register 15	USBF	868
UF0DD16	UF0 device descriptor register 16	USBF	868

(18/19)

Symbol	Name	Unit	Page
UF0DD17	UF0 device descriptor register 17	USBF	868
UF0DEND	UF0 data end register	USBF	820
UF0DMS0	UF0 DMA status 0 register	USBF	816
UF0DMS1	UF0 DMA status 1 register	USBF	817
UF0DSCL	UF0 descriptor length register	USBF	867
UF0DSTL	UF0 device status register L	USBF	856
UF0E0L	UF0 EP0 length register	USBF	834
UF0E0N	UF0 EP0NAK register	USBF	781
UF0E0NA	UF0 EP0NAKALL register	USBF	783
UF0E0R	UF0 EP0 read register	USBF	833
UF0E0SL	UF0 EP0 status register L	USBF	857
UF0E0ST	UF0 EP0 setup register	USBF	835
UF0E0W	UF0 EP0 write register	USBF	837
UF0E1DC1	EP1 DMA control register 1	USBF	875
UF0E1DC2	EP1 DMA control register 2	USBF	877
UF0E1IM	UF0 endpoint 1 interface mapping register	USBF	828
UF0E1SL	UF0 EP1 status register L	USBF	858
UF0E2DC1	EP2 DMA control register 1	USBF	875
UF0E2DC2	EP2 DMA control register 2	USBF	877
UF0E2IM	UF0 endpoint 2 interface mapping register	USBF	829
UF0E2SL	UF0 EP2 status register L	USBF	859
UF0E3DC1	EP3 DMA control register 1	USBF	875
UF0E3DC2	EP3 DMA control register 2	USBF	877
UF0E3IM	UF0 endpoint 3 interface mapping register	USBF	830
UF0E3SL	UF0 EP3 status register L	USBF	860
UF0E4DC1	EP4 DMA control register 1	USBF	875
UF0E4DC2	EP4 DMA control register 2	USBF	877
UF0E4IM	UF0 endpoint 4 interface mapping register	USBF	831
UF0E4SL	UF0 EP4 status register L	USBF	861
UF0E7IM	UF0 endpoint 7 interface mapping register	USBF	832
UF0E7SL	UF0 EP7 status register L	USBF	862
UF0EN	UF0 EPNAK register	USBF	784
UF0ENM	UF0 EPNAK mask register	USBF	788
UF0EP1BI	UF0 EP1 bulk-in transfer data register	USBF	879
UF0EP2BO	UF0 EP2 bulk-out transfer data register	USBF	880
UF0EP3BI	UF0 EP3 bulk-in transfer data register	USBF	879
UF0EP4BO	UF0 EP4 bulk-out transfer data register	USBF	881
UF0EPS0	UF0 EP status 0 register	USBF	780
UF0EPS1	UF0 EP status 1 register	USBF	794
UF0EPS2	UF0 EP status 2 register	USBF	795
UF0FIC0	UF0 FIFO clear 0 register	USBF	818
UF0FIC1	UF0 FIFO clear 1 register	USBF	819
UF0GPR	UF0 GPR register	USBF	822
UF0IC0	UF0 INT clear 0 register	USBF	809
UF0IC1	UF0 INT clear 1 register	USBF	810

(19/19)

Symbol	Name	Unit	Page
UF0IC2	UF0 INT clear 2 register	USBF	811
UF0IC3	UF0 INT clear 3 register	USBF	812
UF0IC4	UF0 INT clear 4 register	USBF	813
UF0IDR	UF0 INT & DMARQ register	USBF	814
UF0IF0	UF0 interface 0 register	USBF	865
UF0IF1	UF0 interface 1 register	USBF	866
UF0IF2	UF0 interface 2 register	USBF	866
UF0IF3	UF0 interface 3 register	USBF	866
UF0IF4	UF0 interface 4 register	USBF	866
UF0IM0	UF0 INT mask 0 register	USBF	804
UF0IM1	UF0 INT mask 1 register	USBF	805
UF0IM2	UF0 INT mask 2 register	USBF	806
UF0IM3	UF0 INT mask 3 register	USBF	807
UF0IM4	UF0 INT mask 4 register	USBF	808
UF0INT1	UF0 interrupt 1 register	USBF	854
UF0IS0	UF0 INT status 0 register	USBF	796
UF0IS1	UF0 INT status 1 register	USBF	798
UF0IS2	UF0 INT status 2 register	USBF	800
UF0IS3	UF0 INT status 3 register	USBF	801
UF0IS4	UF0 INT status 4 register	USBF	803
UF0MODC	UF0 mode control register	USBF	823
UF0MODS	UF0 mode status register	USBF	824
UF0SDS	UF0 SNDSIE register	USBF	789
UF0SET	UF0 SET request register	USBF	791
UFCKMSK	USB function control register	USBF	764
UFDRQEN	USBF DMA request enable register	USBF	882
UFIC0	Interrupt control register	USBF	979
UFIC1	Interrupt control register	USBF	979
VSWC	System wait control register	CPU	86
WDTE	Watchdog timer enable register	WDT	485
WDTM2	Watchdog timer mode register 2	WDT	483, 984
WTIC	Interrupt control register	INTC	979
WTIIC	Interrupt control register	INTC	979
WTM	Watch timer operation mode register	WT	444

APPENDIX D INSTRUCTION SET LIST

D.1 Conventions

(1) Register symbols used to describe operands

Register Symbol	Explanation
reg1	General-purpose registers: Used as source registers.
reg2	General-purpose registers: Used mainly as destination registers. Also used as source register in some instructions.
reg3	General-purpose registers: Used mainly to store the remainders of division results and the higher 32 bits of multiplication results.
bit#3	3-bit data for specifying the bit number
immX	X bit immediate data
dispX	X bit displacement data
regID	System register number
vector	5-bit data that specifies the trap vector (00H to 1FH)
cccc	4-bit data that shows the conditions code
sp	Stack pointer (r3)
ep	Element pointer (r30)
listX	X item register list

(2) Register symbols used to describe opcodes

Register Symbol	Explanation
R	1-bit data of a code that specifies reg1 or regID
r	1-bit data of the code that specifies reg2
w	1-bit data of the code that specifies reg3
d	1-bit displacement data
l	1-bit immediate data (indicates the higher bits of immediate data)
i	1-bit immediate data
cccc	4-bit data that shows the condition codes
CCCC	4-bit data that shows the condition codes of Bcond instruction
bbb	3-bit data for specifying the bit number
L	1-bit data that specifies a program register in the register list

(3) Register symbols used in operations

Register Symbol	Explanation
←	Input for
GR []	General-purpose register
SR []	System register
zero-extend (n)	Expand n with zeros until word length.
sign-extend (n)	Expand n with signs until word length.
load-memory (a, b)	Read size b data from address a.
store-memory (a, b, c)	Write data b into address a in size c.
load-memory-bit (a, b)	Read bit b of address a.
store-memory-bit (a, b, c)	Write c to bit b of address a.
saturated (n)	Execute saturated processing of n (n is a 2's complement). If, as a result of calculations, n ≥ 7FFFFFFFH, let it be 7FFFFFFFH. n ≤ 80000000H, let it be 80000000H.
result	Reflects the results in a flag.
Byte	Byte (8 bits)
Halfword	Half word (16 bits)
Word	Word (32 bits)
+	Addition
−	Subtraction
	Bit concatenation
×	Multiplication
÷	Division
%	Remainder from division results
AND	Logical product
OR	Logical sum
XOR	Exclusive OR
NOT	Logical negation
logically shift left by	Logical shift left
logically shift right by	Logical shift right
arithmetically shift right by	Arithmetic shift right

(4) Register symbols used in execution clock

Register Symbol	Explanation
i	If executing another instruction immediately after executing the first instruction (issue).
r	If repeating execution of the same instruction immediately after executing the first instruction (repeat).
l	If using the results of instruction execution in the instruction immediately after the execution (latency).

(5) Register symbols used in flag operations

Identifier	Explanation
(Blank)	No change
0	Clear to 0
X	Set or cleared in accordance with the results.
R	Previously saved values are restored.

(6) Condition codes

Condition Code (cccc)	Condition Formula	Explanation
0 0 0 0	$OV = 1$	Overflow
1 0 0 0	$OV = 0$	No overflow
0 0 0 1	$CY = 1$	Carry Lower (Less than)
1 0 0 1	$CY = 0$	No carry Not lower (Greater than or equal)
0 0 1 0	$Z = 1$	Zero
1 0 1 0	$Z = 0$	Not zero
0 0 1 1	$(CY \text{ or } Z) = 1$	Not higher (Less than or equal)
1 0 1 1	$(CY \text{ or } Z) = 0$	Higher (Greater than)
0 1 0 0	$S = 1$	Negative
1 1 0 0	$S = 0$	Positive
0 1 0 1	–	Always (Unconditional)
1 1 0 1	$SAT = 1$	Saturated
0 1 1 0	$(S \text{ xor } OV) = 1$	Less than signed
1 1 1 0	$(S \text{ xor } OV) = 0$	Greater than or equal signed
0 1 1 1	$((S \text{ xor } OV) \text{ or } Z) = 1$	Less than or equal signed
1 1 1 1	$((S \text{ xor } OV) \text{ or } Z) = 0$	Greater than signed

D.2 Instruction Set (in Alphabetical Order)

(1/6)

Mnemonic	Operand	Opcode	Operation	Execution Clock			Flags					
				i	r	l	CY	OV	S	Z	SAT	
ADD	reg1,reg2	rrrrr001110RRRRR	GR[reg2]←GR[reg2]+GR[reg1]	1	1	1	x	x	x	x		
	imm5,reg2	rrrrr010010iiii	GR[reg2]←GR[reg2]+sign-extend(imm5)	1	1	1	x	x	x	x		
ADDI	imm16,reg1,reg2	rrrrr110000RRRRR iiiiiiiiiiiiiiii	GR[reg2]←GR[reg1]+sign-extend(imm16)	1	1	1	x	x	x	x		
AND	reg1,reg2	rrrrr001010RRRRR	GR[reg2]←GR[reg2]AND GR[reg1]	1	1	1		0	x	x		
ANDI	imm16,reg1,reg2	rrrrr110110RRRRR iiiiiiiiiiiiiiii	GR[reg2]←GR[reg1]AND zero-extend(imm16)	1	1	1		0	x	x		
Bcond	disp9	dddd1011dddcccc Note 1	if conditions are satisfied then PC←PC+sign-extend(disp9)	When conditions are satisfied	2	2	2					
				When conditions are not satisfied	1	1	1					
BSH	reg2,reg3	rrrrr11111100000 www01101000010	GR[reg3]←GR[reg2] (23 : 16) GR[reg2] (31 : 24) GR[reg2] (7 : 0) GR[reg2] (15 : 8)	1	1	1	x	0	x	x		
BSW	reg2,reg3	rrrrr11111100000 www01101000000	GR[reg3]←GR[reg2] (7 : 0) GR[reg2] (15 : 8) GR [reg2] (23 : 16) GR[reg2] (31 : 24)	1	1	1	x	0	x	x		
CALLT	imm6	0000001000iiii	CTPC←PC+2(return PC) CTPSW←PSW adr←CTBP+zero-extend(imm6 logically shift left by 1) PC←CTBP+zero-extend(Load-memory(adr,Halfword))	4	4	4						
CLR1	bit#3,disp16[reg1]	10bbb111110RRRRR dddddddddddd	adr←GR[reg1]+sign-extend(disp16) Z flag←Not(Load-memory-bit(adr,bit#3)) Store-memory-bit(adr,bit#3,0)	3	3	3				x		
	reg2,[reg1]	rrrrr111111RRRRR 000000011100100	adr←GR[reg1] Z flag←Not(Load-memory-bit(adr,reg2)) Store-memory-bit(adr,reg2,0)	3	3	3				x		
CMOV	cccc,imm5,reg2,reg3	rrrrr111111iiii www01100cccc0	if conditions are satisfied then GR[reg3]←sign-extended(imm5) else GR[reg3]←GR[reg2]	1	1	1						
	cccc,reg1,reg2,reg3	rrrrr111111RRRR www011001cccc0	if conditions are satisfied then GR[reg3]←GR[reg1] else GR[reg3]←GR[reg2]	1	1	1						
CMP	reg1,reg2	rrrrr001111RRRRR	result←GR[reg2]-GR[reg1]	1	1	1	x	x	x	x		
	imm5,reg2	rrrrr010011iiii	result←GR[reg2]-sign-extend(imm5)	1	1	1	x	x	x	x		
CTRET		000011111100000 000000101000100	PC←CTPC PSW←CTPSW	3	3	3	R	R	R	R	R	
DBRET		000011111100000 000000101000110	PC←DBPC PSW←DBPSW	3	3	3	R	R	R	R	R	

(2/6)

Mnemonic	Operand	Opcode	Operation	Execution Clock			Flags					
				i	r	l	CY	OV	S	Z	SAT	
DBTRAP		1111100001000000	DBPC←PC+2 (restored PC) DBPSW←PSW PSW.NP←1 PSW.EP←1 PSW.ID←1 PC←00000060H	3	3	3						
DI		0000011111100000 0000000101100000	PSW.ID←1	1	1	1						
DISPOSE	imm5,list12	0000011001iiiiL LLLLLLLLLLLL000000	sp←sp+zero-extend(imm5 logically shift left by 2) GR[reg in list12]←Load-memory(sp,Word) sp←sp+4 repeat 2 steps above until all regs in list12 is loaded	n+1 Note 4	n+1 Note 4	n+1 Note 4						
	imm5,list12,[reg1]	0000011001iiiiL LLLLLLLLLLLLRRRRR Note 5	sp←sp+zero-extend(imm5 logically shift left by 2) GR[reg in list12]←Load-memory(sp,Word) sp←sp+4 repeat 2 steps above until all regs in list12 is loaded PC←GR[reg1]	n+3 Note 4	n+3 Note 4	n+3 Note 4						
DIV	reg1,reg2,reg3	rrrrr11111RRRRR wwwwww01011000000	GR[reg2]←GR[reg2]÷GR[reg1] GR[reg3]←GR[reg2]%GR[reg1]	35	35	35		x	x	x		
DIVH	reg1,reg2	rrrrr000010RRRRR	GR[reg2]←GR[reg2]÷GR[reg1] ^{Note 6}	35	35	35		x	x	x		
	reg1,reg2,reg3	rrrrr11111RRRRR wwwwww01010000000	GR[reg2]←GR[reg2]÷GR[reg1] ^{Note 6} GR[reg3]←GR[reg2]%GR[reg1]	35	35	35		x	x	x		
DIVHU	reg1,reg2,reg3	rrrrr11111RRRRR wwwwww01010000010	GR[reg2]←GR[reg2]÷GR[reg1] ^{Note 6} GR[reg3]←GR[reg2]%GR[reg1]	34	34	34		x	x	x		
DIVU	reg1,reg2,reg3	rrrrr11111RRRRR wwwwww01011000010	GR[reg2]←GR[reg2]÷GR[reg1] GR[reg3]←GR[reg2]%GR[reg1]	34	34	34		x	x	x		
EI		1000011111100000 0000000101100000	PSW.ID←0	1	1	1						
HALT		0000011111100000 0000000100100000	Stop	1	1	1						
HSW	reg2,reg3	rrrrr11111100000 wwwwww01101000100	GR[reg3]←GR[reg2](15 : 0) GR[reg2] (31 : 16)	1	1	1	x	0	x	x		
JARL	disp22,reg2	rrrrr11110dddddd ddddddddddddddd0 Note 7	GR[reg2]←PC+4 PC←PC+sign-extend(disp22)	2	2	2						
JMP	[reg1]	00000000011RRRRR	PC←GR[reg1]	3	3	3						
JR	disp22	0000011110dddddd ddddddddddddddd0 Note 7	PC←PC+sign-extend(disp22)	2	2	2						
LD.B	disp16[reg1],reg2	rrrrr111000RRRRR ddddddddddddddd	adr←GR[reg1]+sign-extend(disp16) GR[reg2]←sign-extend(Load-memory(adr,Byte))	1	1	Note 11						
LD.BU	disp16[reg1],reg2	rrrrr11110bRRRRR ddddddddddddddd1 Notes 8, 10	adr←GR[reg1]+sign-extend(disp16) GR[reg2]←zero-extend(Load-memory(adr,Byte))	1	1	Note 11						

(3/6)

Mnemonic	Operand	Opcode	Operation	Execution Clock			Flags					
				i	r	l	CY	OV	S	Z	SAT	
LD.H	disp16[reg1],reg2	rrrrr111001RRRRR dddddddddddddd0 Note 8	adr←GR[reg1]+sign-extend(disp16) GR[reg2]←sign-extend(Load-memory(adr,Halfword))	1	1	Note 11						
LDSR	reg2,regID	rrrrr111111RRRRR 000000000100000 Note 12	SR[regID]←GR[reg2] Other than regID = PSW	1	1	1						
			regID = PSW	1	1	1	x	x	x	x	x	
LD.HU	disp16[reg1],reg2	rrrrr111111RRRRR ddddddddddddddd1 Note 8	adr←GR[reg1]+sign-extend(disp16) GR[reg2]←zero-extend(Load-memory(adr,Halfword))	1	1	Note 11						
LD.W	disp16[reg1],reg2	rrrrr111001RRRRR ddddddddddddddd1 Note 8	adr←GR[reg1]+sign-extend(disp16) GR[reg2]←Load-memory(adr,Word)	1	1	Note 11						
MOV	reg1,reg2	rrrrr000000RRRRR	GR[reg2]←GR[reg1]	1	1	1						
	imm5,reg2	rrrrr010000iiii	GR[reg2]←sign-extend(imm5)	1	1	1						
	imm32,reg1	00000110001RRRRR iiiiiiiiiiiiiiii iiiiiiiiiiiiiiii	GR[reg1]←imm32	2	2	2						
MOVEA	imm16,reg1,reg2	rrrrr110001RRRRR iiiiiiiiiiiiiiii	GR[reg2]←GR[reg1]+sign-extend(imm16)	1	1	1						
MOVHI	imm16,reg1,reg2	rrrrr110010RRRRR iiiiiiiiiiiiiiii	GR[reg2]←GR[reg1]+(imm16 ll 0 ¹⁶)	1	1	1						
MUL	reg1,reg2,reg3	rrrrr111111RRRRR wwwww01000100000 Note 14	GR[reg3] ll GR[reg2]←GR[reg2]xGR[reg1]	1	4	5						
	imm9,reg2,reg3	rrrrr111111iiii wwwww01001111100 Note 13	GR[reg3] ll GR[reg2]←GR[reg2]xsign-extend(imm9)	1	4	5						
MULH	reg1,reg2	rrrrr000111RRRRR	GR[reg2]←GR[reg2] ^{Note 6} xGR[reg1] ^{Note 6}	1	1	2						
	imm5,reg2	rrrrr010111iiii	GR[reg2]←GR[reg2] ^{Note 6} xsign-extend(imm5)	1	1	2						
MULHI	imm16,reg1,reg2	rrrrr110111RRRRR iiiiiiiiiiiiiiii	GR[reg2]←GR[reg1] ^{Note 6} ximm16	1	1	2						
MULU	reg1,reg2,reg3	rrrrr111111RRRRR wwwww01000100010 Note 14	GR[reg3] ll GR[reg2]←GR[reg2]xGR[reg1]	1	4	5						
	imm9,reg2,reg3	rrrrr111111iiii wwwww0100111110 Note 13	GR[reg3] ll GR[reg2]←GR[reg2]xzero-extend(imm9)	1	4	5						
NOP		0000000000000000	Pass at least one clock cycle doing nothing.	1	1	1						
NOT	reg1,reg2	rrrrr000001RRRRR	GR[reg2]←NOT(GR[reg1])	1	1	1		0	x	x		
NOT1	bit#3,disp16[reg1]	01bbb11110RRRRR ddddddddddddddd	adr←GR[reg1]+sign-extend(disp16) Z flag←Not(Load-memory-bit(adr,bit#3)) Store-memory-bit(adr,bit#3,Z flag)	3	3	3	Note 3	Note 3	Note 3		x	
	reg2,[reg1]	rrrrr111111RRRRR 0000000011100010	adr←GR[reg1] Z flag←Not(Load-memory-bit(adr,reg2)) Store-memory-bit(adr,reg2,Z flag)	3	3	3	Note 3	Note 3	Note 3		x	

(4/6)

Mnemonic	Operand	Opcode	Operation	Execution Clock			Flags				
				i	r	l	CY	OV	S	Z	SAT
OR	reg1,reg2	rrrrr001000RRRRR	GR[reg2]←GR[reg2]OR GR[reg1]	1	1	1		0	x	x	
ORI	imm16,reg1,reg2	rrrrr110100RRRRR iiiiiiiiiiiiiiii	GR[reg2]←GR[reg1]OR zero-extend(imm16)	1	1	1		0	x	x	
PREPARE	list12,imm5	0000011110iiiiL LLLLLLLLLLLL00001	Store-memory(sp-4,GR[reg in list12],Word) sp←sp-4 repeat 1 step above until all regs in list12 is stored sp←sp-zero-extend(imm5)	n+1 Note 4	n+1 Note 4	n+1 Note 4					
	list12,imm5, sp/imm ^{Note 15}	0000011110iiiiL LLLLLLLLLLLLff011 imm16/imm32 Note 16	Store-memory(sp-4,GR[reg in list12],Word) sp←sp+4 repeat 1 step above until all regs in list12 is stored sp←sp-zero-extend (imm5) ep←sp/imm	n+2 Note 4	n+2 Note 4	n+2 Note 4					
RETI		000001111100000 0000000101000000	if PSW.EP=1 then PC ←EIPC PSW ←EIPSW else if PSW.NP=1 then PC ←FEPC PSW ←FEPSW else PC ←EIPC PSW ←EIPSW	3	3	3	R	R	R	R	R
SAR	reg1,reg2	rrrrr11111RRRRR 0000000010100000	GR[reg2]←GR[reg2]arithmetically shift right by GR[reg1]	1	1	1	x	0	x	x	
	imm5,reg2	rrrrr010101iiii	GR[reg2]←GR[reg2]arithmetically shift right by zero-extend (imm5)	1	1	1	x	0	x	x	
SASF	cccc,reg2	rrrrr111110cccc 0000001000000000	if conditions are satisfied then GR[reg2]←(GR[reg2]Logically shift left by 1) OR 0000001H else GR[reg2]←(GR[reg2]Logically shift left by 1) OR 0000000H	1	1	1					
SATADD	reg1,reg2	rrrrr000110RRRRR	GR[reg2]←saturated(GR[reg2]+GR[reg1])	1	1	1	x	x	x	x	x
	imm5,reg2	rrrrr010001iiii	GR[reg2]←saturated(GR[reg2]+sign-extend(imm5))	1	1	1	x	x	x	x	x
SATSUB	reg1,reg2	rrrrr000101RRRRR	GR[reg2]←saturated(GR[reg2]-GR[reg1])	1	1	1	x	x	x	x	x
SATSUBI	imm16,reg1,reg2	rrrrr110011RRRRR iiiiiiiiiiiiiiii	GR[reg2]←saturated(GR[reg1]-sign-extend(imm16))	1	1	1	x	x	x	x	x
SATSUBR	reg1,reg2	rrrrr000100RRRRR	GR[reg2]←saturated(GR[reg1]-GR[reg2])	1	1	1	x	x	x	x	x
SETF	cccc,reg2	rrrrr111110cccc 0000000000000000	If conditions are satisfied then GR[reg2]←00000001H else GR[reg2]←0000000H	1	1	1					

(5/6)

Mnemonic	Operand	Opcode	Operation	Execution Clock			Flags					
				i	r	l	CY	OV	S	Z	SAT	
SET1	bit#3,disp16[reg1]	00bbb111110RRRRR ddddddddddddddd	adr←GR[reg1]+sign-extend(disp16) Z flag←Not (Load-memory-bit(adr,bit#3)) Store-memory-bit(adr,bit#3,1)	3 Note 3	3 Note 3	3 Note 3					×	
	reg2,[reg1]	rrrrr11111RRRRR 0000000011100000	adr←GR[reg1] Z flag←Not(Load-memory-bit(adr,reg2)) Store-memory-bit(adr,reg2,1)	3 Note 3	3 Note 3	3 Note 3					×	
SHL	reg1,reg2	rrrrr11111RRRRR 0000000011000000	GR[reg2]←GR[reg2] logically shift left by GR[reg1]	1	1	1	×	0	×	×		
	imm5,reg2	rrrrr010110iiii	GR[reg2]←GR[reg2] logically shift left by zero-extend(imm5)	1	1	1	×	0	×	×		
SHR	reg1,reg2	rrrrr11111RRRRR 0000000010000000	GR[reg2]←GR[reg2] logically shift right by GR[reg1]	1	1	1	×	0	×	×		
	imm5,reg2	rrrrr010100iiii	GR[reg2]←GR[reg2] logically shift right by zero-extend(imm5)	1	1	1	×	0	×	×		
SLD.B	disp7[ep],reg2	rrrrr0110dddddd	adr←ep+zero-extend(disp7) GR[reg2]←sign-extend(Load-memory(adr,Byte))	1	1	Note 9						
SLD.BU	disp4[ep],reg2	rrrrr0000110ddd Note 18	adr←ep+zero-extend(disp4) GR[reg2]←zero-extend(Load-memory(adr,Byte))	1	1	Note 9						
SLD.H	disp8[ep],reg2	rrrrr1000dddddd Note 19	adr←ep+zero-extend(disp8) GR[reg2]←sign-extend(Load-memory(adr,Halfword))	1	1	Note 9						
SLD.HU	disp5[ep],reg2	rrrrr0000111ddd Notes 18, 20	adr←ep+zero-extend(disp5) GR[reg2]←zero-extend(Load-memory(adr,Halfword))	1	1	Note 9						
SLD.W	disp8[ep],reg2	rrrrr1010dddddd0 Note 21	adr←ep+zero-extend(disp8) GR[reg2]←Load-memory(adr,Word)	1	1	Note 9						
SST.B	reg2,disp7[ep]	rrrrr0111dddddd	adr←ep+zero-extend(disp7) Store-memory(adr,GR[reg2],Byte)	1	1	1						
SST.H	reg2,disp8[ep]	rrrrr1001dddddd Note 19	adr←ep+zero-extend(disp8) Store-memory(adr,GR[reg2],Halfword)	1	1	1						
SST.W	reg2,disp8[ep]	rrrrr1010dddddd1 Note 21	adr←ep+zero-extend(disp8) Store-memory(adr,GR[reg2],Word)	1	1	1						
ST.B	reg2,disp16[reg1]	rrrrr111010RRRRR ddddddddddddddd	adr←GR[reg1]+sign-extend(disp16) Store-memory(adr,GR[reg2],Byte)	1	1	1						
ST.H	reg2,disp16[reg1]	rrrrr111011RRRRR ddddddddddddddd0 Note 8	adr←GR[reg1]+sign-extend(disp16) Store-memory(adr,GR[reg2],Halfword)	1	1	1						
ST.W	reg2,disp16[reg1]	rrrrr111011RRRRR ddddddddddddddd1 Note 8	adr←GR[reg1]+sign-extend(disp16) Store-memory(adr,GR[reg2],Word)	1	1	1						
STSR	regID,reg2	rrrrr11111RRRRR 0000000010000000	GR[reg2]←SR[regID]	1	1	1						

(6/6)

Mnemonic	Operand	Opcode	Operation	Execution Clock			Flags				
				i	r	l	CY	OV	S	Z	SAT
SUB	reg1,reg2	rrrrr001101RRRRR	GR[reg2]←GR[reg2]-GR[reg1]	1	1	1	x	x	x	x	
SUBR	reg1,reg2	rrrrr001100RRRRR	GR[reg2]←GR[reg1]-GR[reg2]	1	1	1	x	x	x	x	
SWITCH	reg1	0000000010RRRRR	adr←-(PC+2) + (GR [reg1] logically shift left by 1) PC←-(PC+2) + (sign-extend (Load-memory (adr,Halfword)) logically shift left by 1	5	5	5					
SXB	reg1	0000000101RRRRR	GR[reg1]←sign-extend (GR[reg1] (7 : 0))	1	1	1					
SXH	reg1	0000000111RRRRR	GR[reg1]←sign-extend (GR[reg1] (15 : 0))	1	1	1					
TRAP	vector	000001111111iiii 000000100000000	EIPC ←-PC+4 (Restored PC) EIPSW ←-PSW ECR.EICC ←-Interrupt code PSW.EP ←-1 PSW.ID ←-1 PC ←-00000040H (when vector is 00H to 0FH) 00000050H (when vector is 10H to 1FH)	3	3	3					
TST	reg1,reg2	rrrrr001011RRRRR	result←GR[reg2] AND GR[reg1]	1	1	1	0	x	x		
TST1	bit#3,disp16[reg1]	11bbb111110RRRRR ddddddddddddddd	adr←GR[reg1]+sign-extend(disp16) Z flag←Not (Load-memory-bit (adr,bit#3))	3	3	3				x	
	reg2, [reg1]	rrrrr111111RRRRR 000000011100110	adr←GR[reg1] Z flag←Not (Load-memory-bit (adr,reg2))	3	3	3				x	
XOR	reg1,reg2	rrrrr001001RRRRR	GR[reg2]←GR[reg2] XOR GR[reg1]	1	1	1	0	x	x		
XORI	imm16,reg1,reg2	rrrrr110101RRRRR iiiiiiiiiiiiiiii	GR[reg2]←GR[reg1] XOR zero-extend (imm16)	1	1	1	0	x	x		
ZXB	reg1	0000000100RRRRR	GR[reg1]←zero-extend (GR[reg1] (7 : 0))	1	1	1					
ZXH	reg1	0000000110RRRRR	GR[reg1]←zero-extend (GR[reg1] (15 : 0))	1	1	1					

Notes 1. dddddddd: Higher 8 bits of disp9.

2. 3 if there is an instruction that rewrites the contents of the PSW immediately before.

3. If there is no wait state (3 + the number of read access wait states).

4. n is the total number of list12 load registers. (According to the number of wait states. Also, if there are no wait states, n is the total number of list12 registers. If n = 0, same operation as when n = 1)

5. RRRRRR: other than 00000.

6. The lower halfword data only are valid.

7. dddddddddddddddddddd: The higher 21 bits of disp22.

8. dddddddddddddddd: The higher 15 bits of disp16.

9. According to the number of wait states (1 if there are no wait states).

10. b: bit 0 of disp16.

11. According to the number of wait states (2 if there are no wait states).

Notes 12. In this instruction, for convenience of mnemonic description, the source register is made reg2, but the reg1 field is used in the opcode. Therefore, the meaning of register specification in the mnemonic description and in the opcode differs from other instructions.

rrrrr = regID specification

RRRRR = reg2 specification

13. iiii: Lower 5 bits of imm9.

IIII: Higher 4 bits of imm9.

14. Do not specify the same register for general-purpose registers reg1 and reg3.

15. sp/imm: specified by bits 19 and 20 of the sub-opcode.

16. ff = 00: Load sp in ep.

01: Load sign expanded 16-bit immediate data (bits 47 to 32) in ep.

10: Load 16-bit logically left shifted 16-bit immediate data (bits 47 to 32) in ep.

11: Load 32-bit immediate data (bits 63 to 32) in ep.

17. If imm = imm32, n + 3 clocks.

18. rrrrr: Other than 00000.

19. ddddddd: Higher 7 bits of disp8.

20. dddd: Higher 4 bits of disp5.

21. ddddddd: Higher 6 bits of disp8.

REVISION HISTORY	V850ES/JG3-L (on-chip USB function controller) User's Manual: Hardware
-------------------------	---

Rev.	Date	Description	
		Page	Summary
0.01	June 4, 2010	—	First Edition issued
1.00	March 25, 2011	p.217	Modification of 6.5.2(4) PLL lockup time specification register (PLLS)
		p.218	Modification of 6.5.3 Usage
		p.453	Addition of Note to 11.3 (1) Real-time counter control register 0 (RC1CC0)
		p.454	Addition of Note to 11.3 (2) Real-time counter control register 1 (RC1CC1)
		p.455	Addition of Note to 11.3 (3) Real-time counter control register 2 (RC1CC2)
		p.456	Addition of Note to 11.3 (4) Real-time counter control register 3 (RC1CC3)
		p.457	Addition of Note to 11.3 (5) Sub-count register (RC1SUBC)
		p.457	Addition of Note to 11.3 (6) Second count register (RC1SEC)
		p.458	Addition of Note to 11.3 (7) Minute count register (RC1MIN)
		p.458	Addition of Note to 11.3 (8) Hour count register (RC1HOUR)
		p.460	Addition of Note to 11.3 (9) Day count register (RC1DAY)
		p.461	Addition of Note to 11.3 (10) Day-of-week count register (RC1WEEK)
		p.462	Addition of Note to 11.3 (11) Month count register (RC1MONTH)
		p.462	Addition of Note to 11.3 (12) Year count register (RC1YEAR)
		p.463	Addition of Note to 11.3 (13) Watch error correction register (RC1SUBU)
		p.464	Addition of Note to 11.3 (14) Alarm minute setting register (RC1ALM)
		p.464	Addition of Note to 11.3 (15) Alarm hour setting register (RC1ALH)
		p.465	Addition of Note to 11.3 (16) Alarm day-of-week setting register (RC1ALW)
		p.970	Modification of 21.2.2 (2) From INTWDT2 signal
		pp.1035 to 1044	Modification of 23.9 RTC backup Mode
		p.1127	Modification of 33.4.1 (1) Main clock oscillator characteristics
		p.1128	Addition of 33.4.1 (1) (a) KYOCERA KINSEKI CORPORATION: Crystal resonator (TA = • 10 to +70°C)
		p.1129	Addition of 33.4.1 (1) (b) Murata Mfg. Co. Ltd.: Ceramic resonator (TA = • 20 to +80°C)
		p.1132	Addition of 33.4.2 (a) Seiko Instruments Inc.: Crystal resonator (TA = • 40 to +85°C)
		p.1132	Addition of 33.4.2 (b) Citizen Miyota Co., Ltd.: Crystal resonator (TA = • 40 to +85°C)
		p.1133	Modification of 33.4.3 PLL characteristics
		p.1137	Modification of 33.6.2 Supply current characteristics
p.1141	Modification of 33.7.3 (1) (a) Read/write cycle (Asynchronous to CLKOUT)		
p.1148	Addition of Remark to 33.7.4 Power on/power off/reset timing		
pp.1160, 1161	Addition of CHAPTER 35 RECOMMENDED SOLDERING CONDITIONS		
p.1173	Modification of APPENDIX B MAJOR DIFFERENCES BETWEEN PRODUCTS		
2.00	September 22, 2011	Throughout	<ul style="list-style-type: none"> • Addition of products μPD70F3843GC-UEU-AX, 70F3844GC-UEU-AX, μPD70F3843F1-CAH-A, 70F3844F1-CAH-A
		p.22	Modification of Table 1-1. V850ES/JG3-L Product List
		p.23	Modification of 1.2 Features
		p.25	Modification of 1.4 Ordering Information
		pp.26, 27	Modification of 1.5 Pin Configuration (Top View)

Rev.	Date	Description	
		Page	Summary
2.00	September 22, 2011	p.30	Modification of 1.6.1 Internal block diagram
		p.31	Modification of 1.6.1 (3) Flash memory (ROM)
		p.61	Modification of Figure 3-2. Data Memory Map (Physical Addresses)
		p.64	Addition of 3.4.3 (1) (d) Internal ROM (768 KB)
		p.65	Addition of 3.4.3 (1) (e) Internal ROM (1 MB)
		p.67	Addition of 3.4.3 (2) (b) Internal RAM (56 KB)
		p.68	Addition of 3.4.3 (3) Expanded internal RAM (24 KB)
		p.70	Modification of 3.4.5 (1) Program space
		p.90	Modification of Caution to Table 3-3. Registers That Requires Waits
		p.183	Modification of Table 5-2. Pin Statuses When Internal ROM, Internal RAM, or On-Chip Peripheral I/O Is Accessed
		p.184	Modification of Figure 5-1. Data Memory Map: Physical Addresses
		p.185	Modification of Table 5-3. Number of Clock Cycles Required for Access
		p.208	Modification of Note to 6.2 (1) Table 5-3. Number of Clock Cycles Required for Access
		p.940	Modification of 21.1 Features •Transfer sources and destinations
		p.941	Modification of Figure 21-1. Block Diagram of DMAC
		p.943	Modification of 21.3 (1) DMA source address registers 0 to 3 (DSA0 to DSA3)
		p.944	Modification of 21.3 (2) DMA destination address registers 0 to 3 (DDA0 to DDA3)
		p.951	Modification of Table 20-3. Relationship Between Transfer Sources and Destinations
		p.952	Modification of Remark to 21.6 Transfer Types
		p.954	Modification of Table 21-4. Number of Execution Clocks During DMA Cycle
		p.963	Modification of 21.13 (6) Memory boundary
		p.964	Modification of 21.13 (8) Bus arbitration for CPU
		p.1045	Addition of Note 1 to Figure 24-2. RTC backup mode Status Transition
		p.1082	Modification of CHAPTER 31 FLASH MEMORY
		p.1082	Modification of 31.1 Features
		p.1084	Modification of Figure 31-1. Flash Memory Mapping (2/2)
		p.1120	Modification of Figure 32-5. Memory Spaces Where Debug Monitor Programs Are Allocated
		p.1131	Addition of Caution to 33.3 Operating Conditions
pp.1163 to 1196	Addition of CHAPTER 34 ELECTRICAL SPECIFICATIONS (μ PD70F3843, 70F3844)		
pp.1199, 1200	Modification of Table 35-1. Surface Mounting Type Soldering Conditions (1/2)		
pp.1212 to 1214	Modification of APPENDIX B MAJOR DIFFERENCES BETWEEN PRODUCTS		
3.00	August 3, 2012	Throughout	Change of description of bus control function <ul style="list-style-type: none"> • Separate bus mode is no longer supported. • The number of address bus lines has been changed from 22 to 6 (A0 to A21 → A16 to A21)
		p.69	Modification of Note to 3.4.3 (5) External memory area
		p.73	Modification of Note to Figure 3-16. Recommended Memory Map (μPD70F3794)
		p.184	Modification of Note to Figure 5-1. Data Memory Map: Physical Addresses
4.00	March 25, 2014	Throughout	<ul style="list-style-type: none"> • Deletion of products μUPD70F3843GC-UEU-AX, 70F3844GC-UEU-AX μUPD70F3843F1-CAH-A, 70F3844F1-CAH-A

V850ES/JG3-L (on-chip USB controller)

User's Manual: Hardware

Publication Date: Rev.0.01 Jun 4, 2010
Rev.4.00 Mar 25, 2014

Published by: Renesas Electronics Corporation

**SALES OFFICES****Renesas Electronics Corporation**<http://www.renesas.com>Refer to "<http://www.renesas.com/>" for the latest and detailed information.**Renesas Electronics America Inc.**2801 Scott Boulevard Santa Clara, CA 95050-2549, U.S.A.
Tel: +1-408-588-6000, Fax: +1-408-588-6130**Renesas Electronics Canada Limited**1101 Nicholson Road, Newmarket, Ontario L3Y 9C3, Canada
Tel: +1-905-898-5441, Fax: +1-905-898-3220**Renesas Electronics Europe Limited**Dukes Meadow, Millboard Road, Bourne End, Buckinghamshire, SL8 5FH, U.K
Tel: +44-1628-585-100, Fax: +44-1628-585-900**Renesas Electronics Europe GmbH**Arcadiastrasse 10, 40472 Düsseldorf, Germany
Tel: +49-211-6503-0, Fax: +49-211-6503-1327**Renesas Electronics (China) Co., Ltd.**Room 1709, Quantum Plaza, No.27 ZhiChunLu Haidian District, Beijing 100191, P.R.China
Tel: +86-10-8235-1155, Fax: +86-10-8235-7679**Renesas Electronics (Shanghai) Co., Ltd.**Unit 301, Tower A, Central Towers, 555 Langao Road, Putuo District, Shanghai, P. R. China 200333
Tel: +86-21-2226-0888, Fax: +86-21-2226-0999**Renesas Electronics Hong Kong Limited**Unit 1601-1613, 16/F., Tower 2, Grand Century Place, 193 Prince Edward Road West, Mongkok, Kowloon, Hong Kong
Tel: +852-2265-6688, Fax: +852 2686-9022/9044**Renesas Electronics Taiwan Co., Ltd.**13F, No. 363, Fu Shing North Road, Taipei 10543, Taiwan
Tel: +886-2-8175-9600, Fax: +886 2-8175-9670**Renesas Electronics Singapore Pte. Ltd.**80 Bendemeer Road, Unit #06-02 Hyflux Innovation Centre, Singapore 339949
Tel: +65-6213-0200, Fax: +65-6213-0300**Renesas Electronics Malaysia Sdn.Bhd.**Unit 906, Block B, Menara Amcorp, Amcorp Trade Centre, No. 18, Jln Persiaran Barat, 46050 Petaling Jaya, Selangor Darul Ehsan, Malaysia
Tel: +60-3-7955-9390, Fax: +60-3-7955-9510**Renesas Electronics Korea Co., Ltd.**12F., 234 Teheran-ro, Gangnam-Ku, Seoul, 135-920, Korea
Tel: +82-2-558-3737, Fax: +82-2-558-5141

V850ES/JG3-L (on-chip USB controller)

