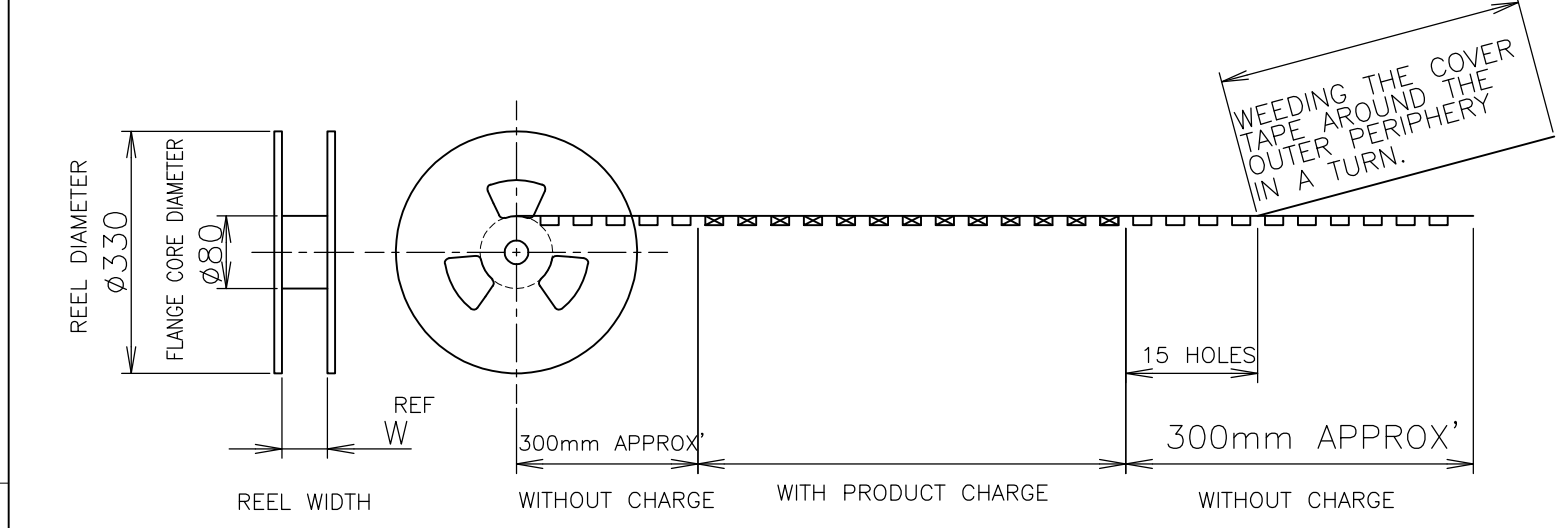
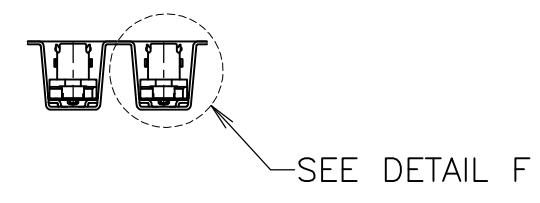
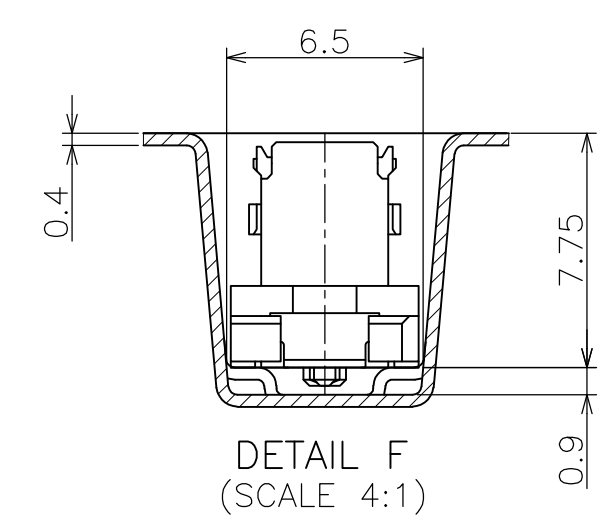
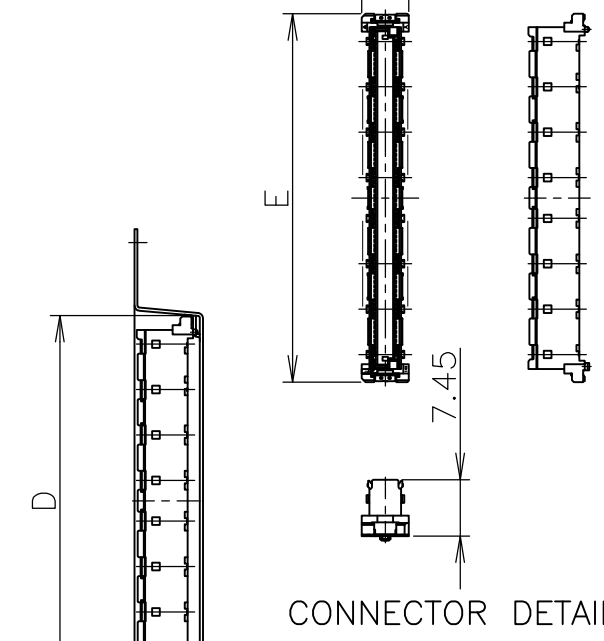
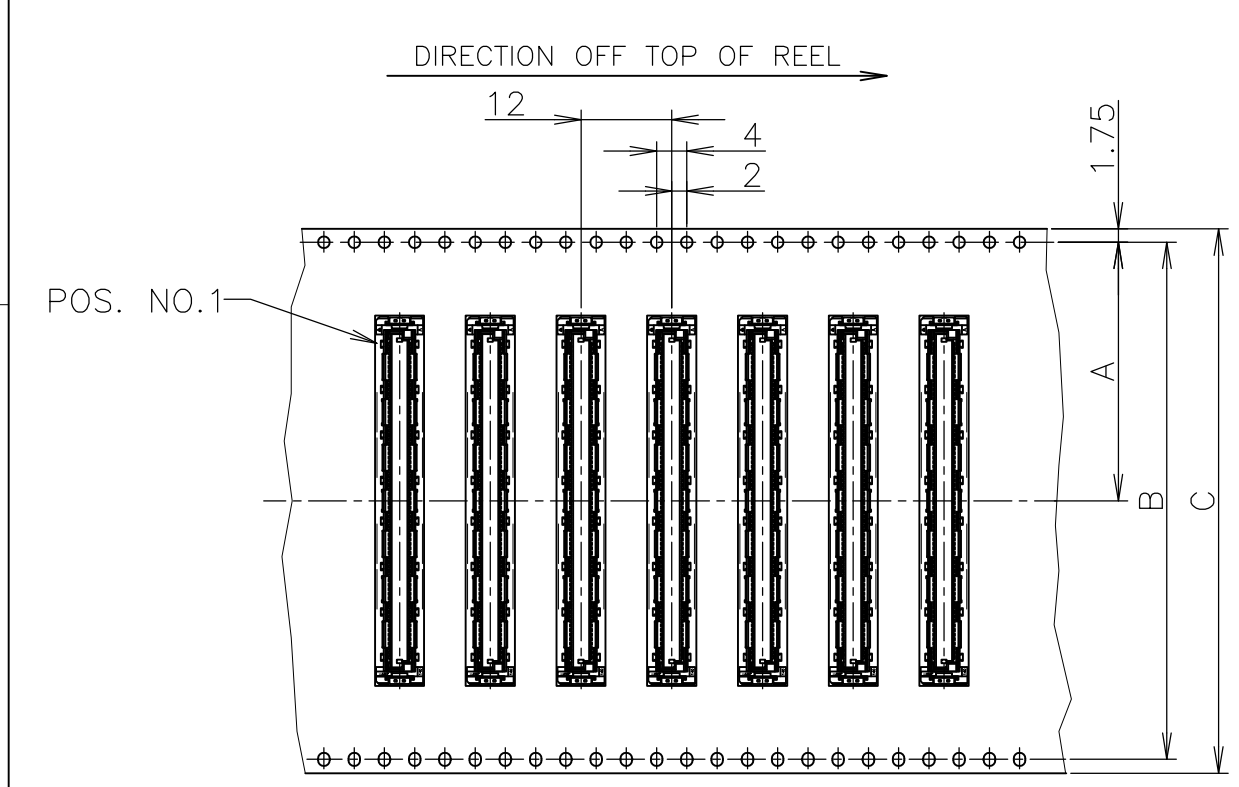


THIS DRAWING IS UNPUBLISHED. RELEASED FOR PUBLICATION JUN , 1996. ALL RIGHTS RESERVED.

LOC	DIST	REVISIONS					
		P	LTR	DESCRIPTION	DATE	DWN	APVD
J		A1	REVISED	ECR-15-005119	02APR2015	I.T	W.H



SEALANT	TOOLING STATUS	QTY.	W	E	D	C	B	A	POS.	PART NO.
NOT AVAILABLE		600	77.5	54.7	55	72	68.4	34.2	160	6-5353187-1
AVAILABLE		↑	77.5	48.7	49	72	68.4	34.2	140	6- -0
NOT AVAILABLE			61.5	42.7	43	56	52.4	26.2	120	5- -9
↑			61.5	36.7	37	56	52.4	26.2	100	5- -8
↑			61.5	33.7	34	56	52.4	26.2	90	5- -7
NOT AVAILABLE			49.5	30.7	31	44	40.4	20.2	80	5- -6
NOT AVAILABLE			49.5	27.7	28	44	40.4	20.2	70	5- -5
NOT AVAILABLE			49.5	24.7	25	44	40.4	20.2	60	5- -4
↑			37.5	21.7	22	32	28.4	14.2	50	5- -3
↑			37.5	18.7	19	32	28.4	14.2	40	5- -2
NOT AVAILABLE		600	29.5	15.7	16	24	11.5	30	5-5353187-1	
AVAILABLE		600	77.5	54.7	55	72	68.4	34.2	160	1-5353187-1
AVAILABLE		↑	77.5	48.7	49	72	68.4	34.2	140	1- -0
NOT AVAILABLE			61.5	42.7	43	56	52.4	26.2	120	-9
↑			61.5	36.7	37	56	52.4	26.2	100	-8
↑			61.5	33.7	34	56	52.4	26.2	90	-7
↑			49.5	30.7	31	44	40.4	20.2	80	-6
↑			49.5	27.7	28	44	40.4	20.2	70	-5
↑			49.5	24.7	25	44	40.4	20.2	60	-4
↑			37.5	21.7	22	32	28.4	14.2	50	-3
↑			37.5	18.7	19	32	28.4	14.2	40	-2
NOT AVAILABLE		600	29.5	15.7	16	24	11.5	30	5353187-1	

3 THIS PRODUCT WAS COATED BY FLUX-PENETRATION -INHIDITING AGENT.

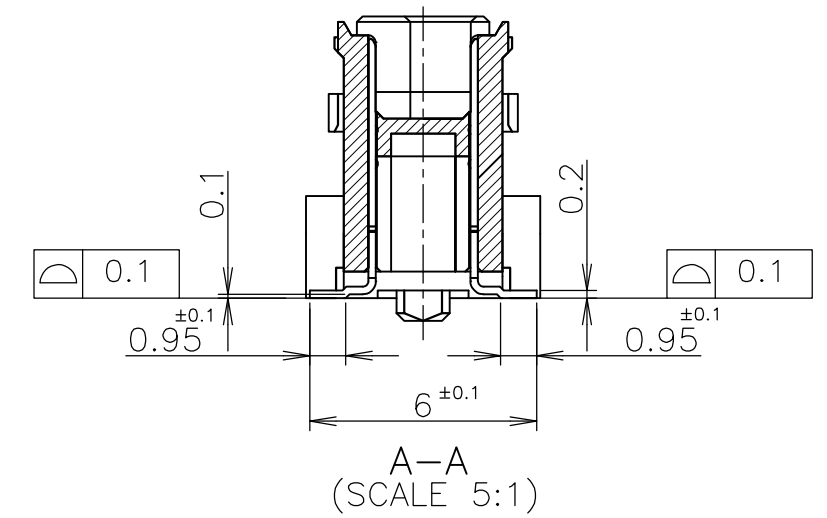
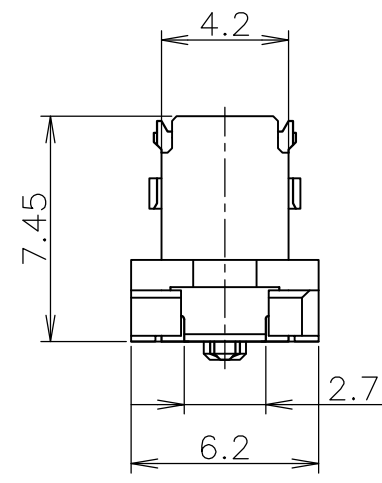
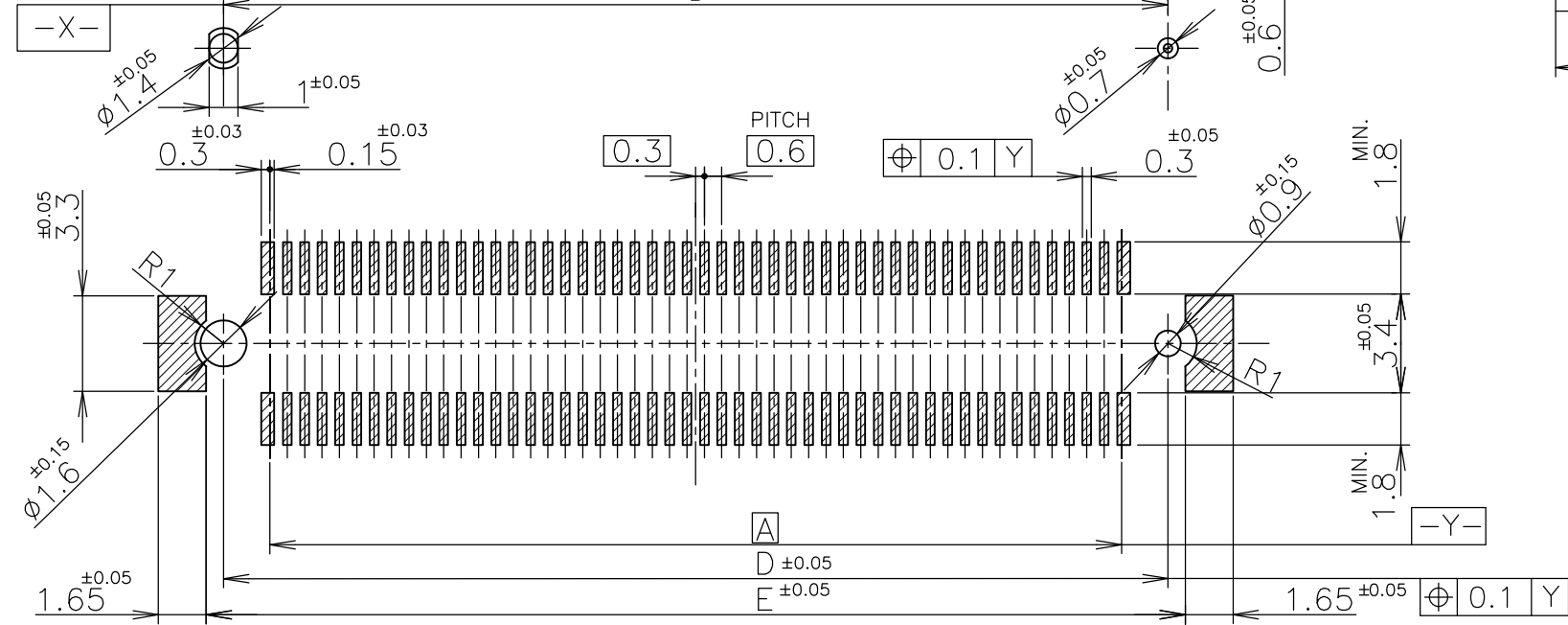
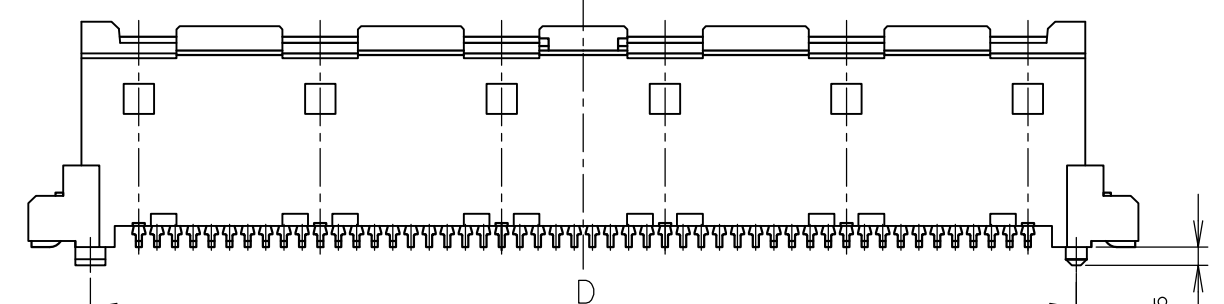
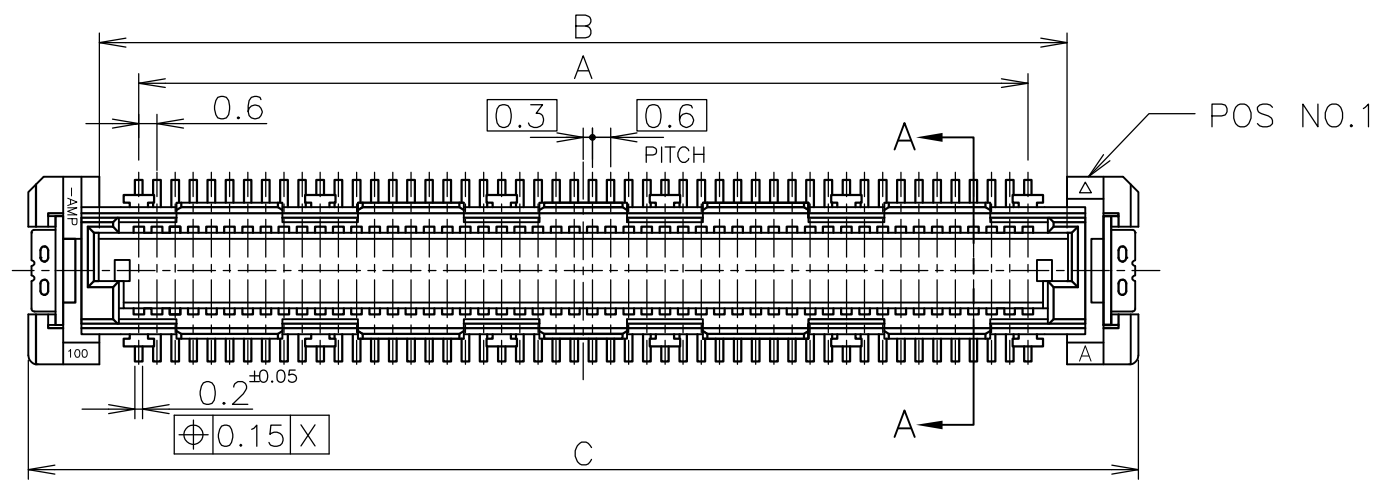
THIS DRAWING IS A CONTROLLED DOCUMENT.

DIMENSIONS: 单位: 耗 mm	TOLERANCES UNLESS OTHERWISE SPECIFIED: 一般公差	DWN HAWKING HE 20DEC04	 TE Connectivity	
	0 PLC ± 0.2 1 PLC ± 0.2 2 PLC ± 0.2 3 PLC ± 0.2 4 PLC ± 0.2 ANGLES ± 5°	CHK STEVEN YAO 20DEC04		NAME 名称 EMBOSS ASSY FH 0.6BTB CONNECTOR PLUG 8H STD TYPE
		APVD I.ENOMOTO 20DEC04		
		MATERIAL 材料		FINISH 仕上

CUSTOMER DRAWING SCALE 1:1 SHEET 1 OF 2 REV A1

THIS DRAWING IS UNPUBLISHED. RELEASED FOR PUBLICATION JUN , 1996.
 © COPYRIGHT 1996 By - ALL RIGHTS RESERVED.

LOC	DIST	REVISIONS					
		P	LTR	DESCRIPTION	DATE	DWN	APVD
J		-		SEE SHEET 1	-	-	-



- 1 MATERIAL ; HOUSING : HIGH TEMP THERMO PLASTIC UL94V-0
CONTACT : COPPER ALLOY
- 2 FINISH ; UNDER PL Ni 0.0013mm MIN ALL OVER.
CONTACT AREA 0.0002 MIN Au PL.
SOLDERING AREA 0.001 MIN TIN PL.

REFERENCE P.C.BOARD LAYOUT
(VIEW FROM CONN. MOUNTING SIDE)

AVAILABLE	51.8	50.6	54.7	50	47.4	160
AVAILABLE	45.8	44.6	48.7	44	41.4	140
NOT AVAILABLE	39.8	38.6	42.7	38	35.4	120
AVAILABLE	33.8	32.6	36.7	32	29.4	100
NOT AVAILABLE	30.8	29.6	33.7	29	26.4	90
NOT AVAILABLE	27.8	26.6	30.7	26	23.4	80
AVAILABLE	24.8	23.6	27.7	23	20.4	70
NOT AVAILABLE	21.8	20.6	24.7	20	17.4	60
↑	19.8	17.6	21.7	17	14.4	50
↑	15.8	14.6	18.7	14	11.4	40
NOT AVAILABLE	12.8	11.6	15.7	11	8.4	30
TOOLING STATUS	E	D	C	B	A	POS

GENERAL TOLERANCE
一般公差

10 ≥ ±0.2
30 ≥ >10: ±0.25
100 ≥ >30: ±0.3
ANGLES: ±3°

THIS DRAWING IS A CONTROLLED DOCUMENT.		DWN	TE Connectivity		
DIMENSIONS: 单位: 耗 mm		CHK			
TOLERANCES UNLESS OTHERWISE SPECIFIED: 一般公差		APVD	NAME 名称		
0 PLC ±- 1 PLC ±- 2 PLC ±- 3 PLC ±- 4 PLC ±- ANGLES ±-		PRODUCT SPEC 製品規格	EMBOSS ASSY		
MATERIAL 材料		APPLICATION SPEC 取付適用規格	FH 0.6BTB CONNECTOR		
FINISH 仕上		WEIGHT	SIZE	CAGE CODE	DRAWING NO 番号
1		A3		00779	G-5353187
2		CUSTOMER DRAWING		RESTRICTED TO	
		SCALE 尺度	SHEET	REV	
		4:1	2 OF 2	A1	