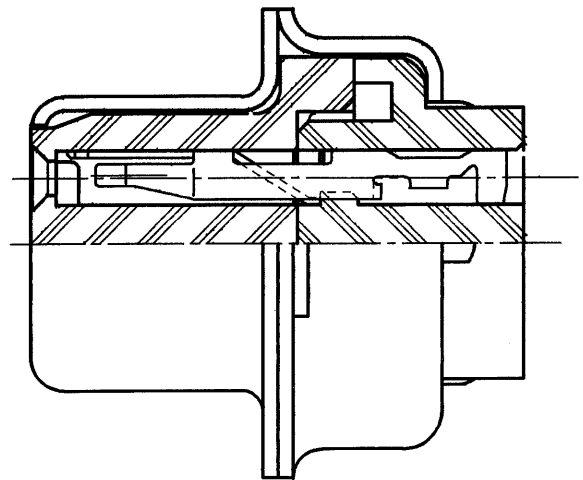
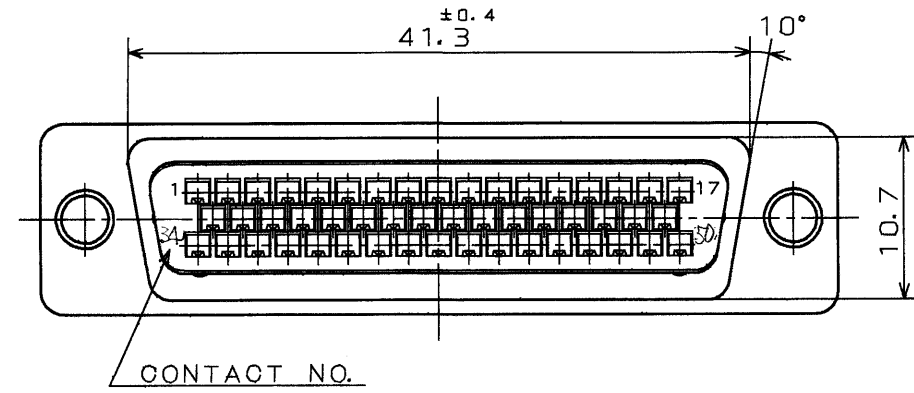
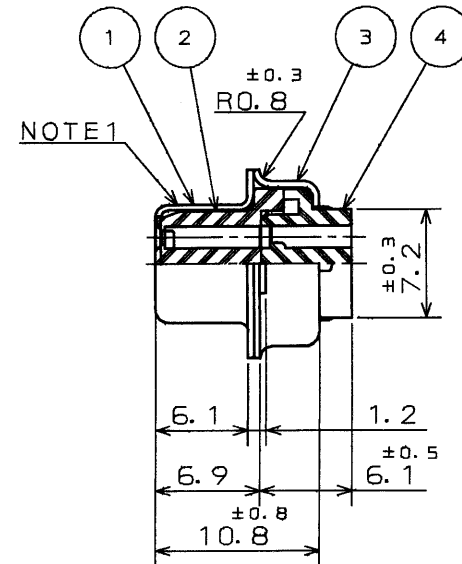
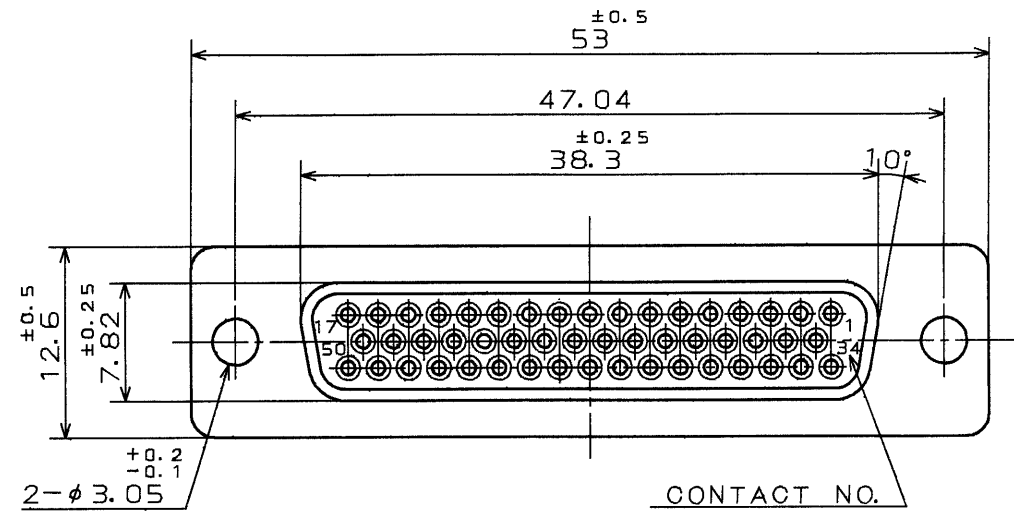


SJ021506-E

DWG. NO.

SYM	DCN NO.	DESCRIPTION	DATE	DRAWN	CHECKED	APP'D	APP'D



CONTACT INSERTED

- NOTE 1. MARKS "JAE" & PART NO. ARE SHOWN ON THIS PORTION.
 "-FO" IS NOT MARKED ON CONNECTOR.
 2. FOR CONTACT ARRANGEMENTS SEE DWG. SJ017233.
 3. FOR PANEL COTOUT DIMENSIONS SEE DWG. SJ013596.
 4. CONTACT TO BE ORDERED SEPARATELY.

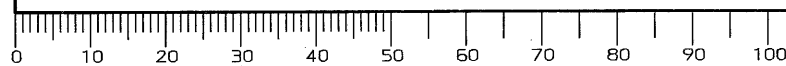
ITEM	DESCRIPTION	Q'TY	MATERIAL	FINISH	REMARKS
4	REAR INSULATOR	1	GLASS FILLED NYLON	(COLOR:BLACK)	UL94 V-0
3	REAR SHELL	1	STEEL	NICKEL PLATE	
2	FRONT INSULATOR	1	GLASS FILLED NYLON	(COLOR:BLACK)	UL94 V-0
1	FRONT SHELL	1	STEEL	NICKEL PLATE	

REFERENCE DOCUMENT	DATE	SCALE	JAE-CONNECTOR.COM Reference Only MUSASHINO, AKISHIMA-SHI TOKYO, JAPAN DWG. NO. SJ021506-E
JACS-3050-2	30. OCT. '90	2:1	
MATERIAL	DRAWN	TITLE	
TREATMENT	CHECKED	D02-50SF-N-FO	
FINISH	APP'D	SERIES	
	Y. OTSUKA	D02	
	Y. NISHINO		

DIMENSIONS ARE IN MILLIMETERS
 TOLERANCES ON: (INCHES)

DIMENSION	ANGLES
. ±	X° ± 1°
.X ± 0.4	X°X' ±
.XX ± 0.13	CONCENTRICITY
.XXX ±	WITHIN T.I.R.

DCF-115A



SIZE A3 CDS-1201