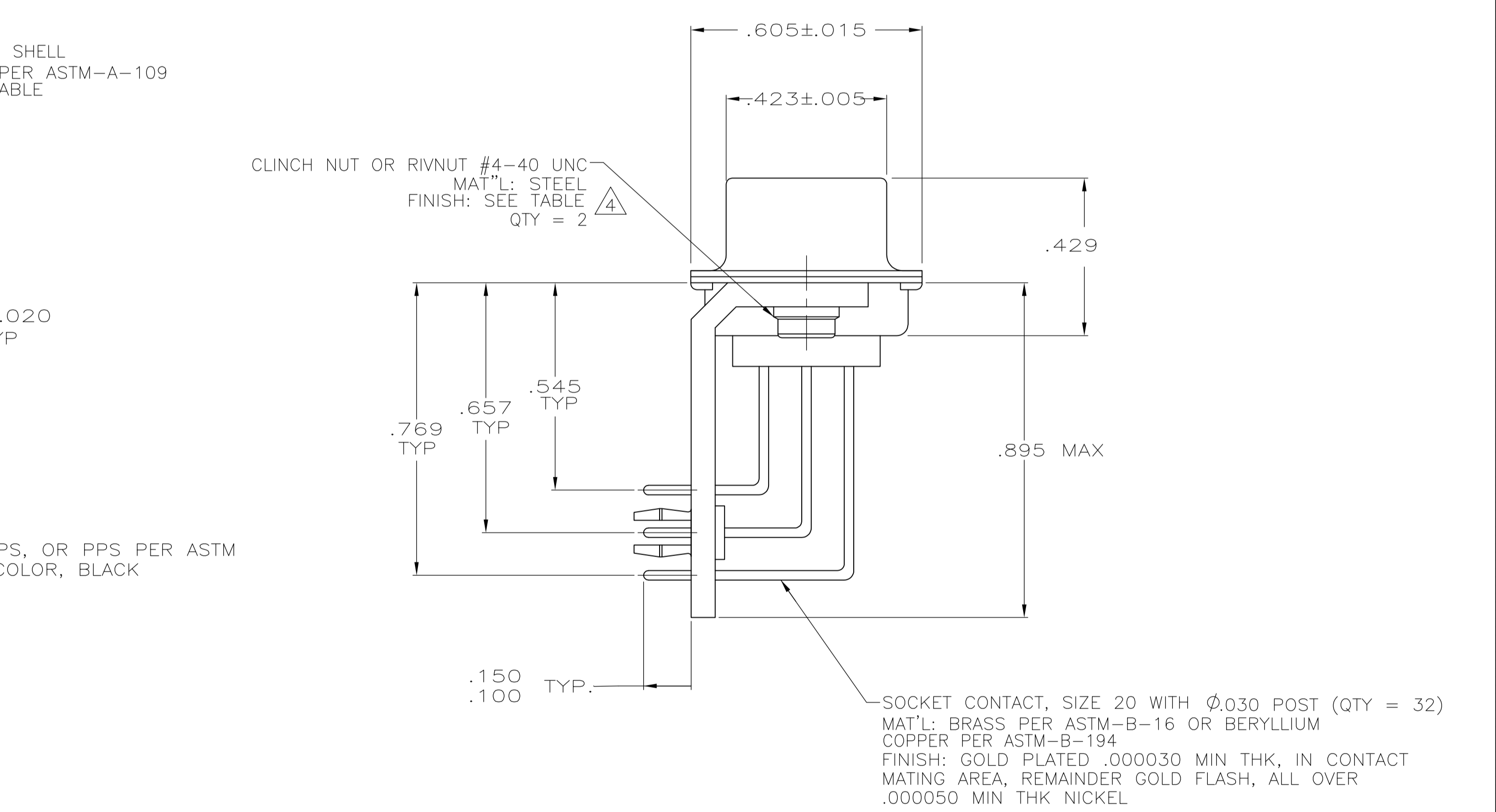
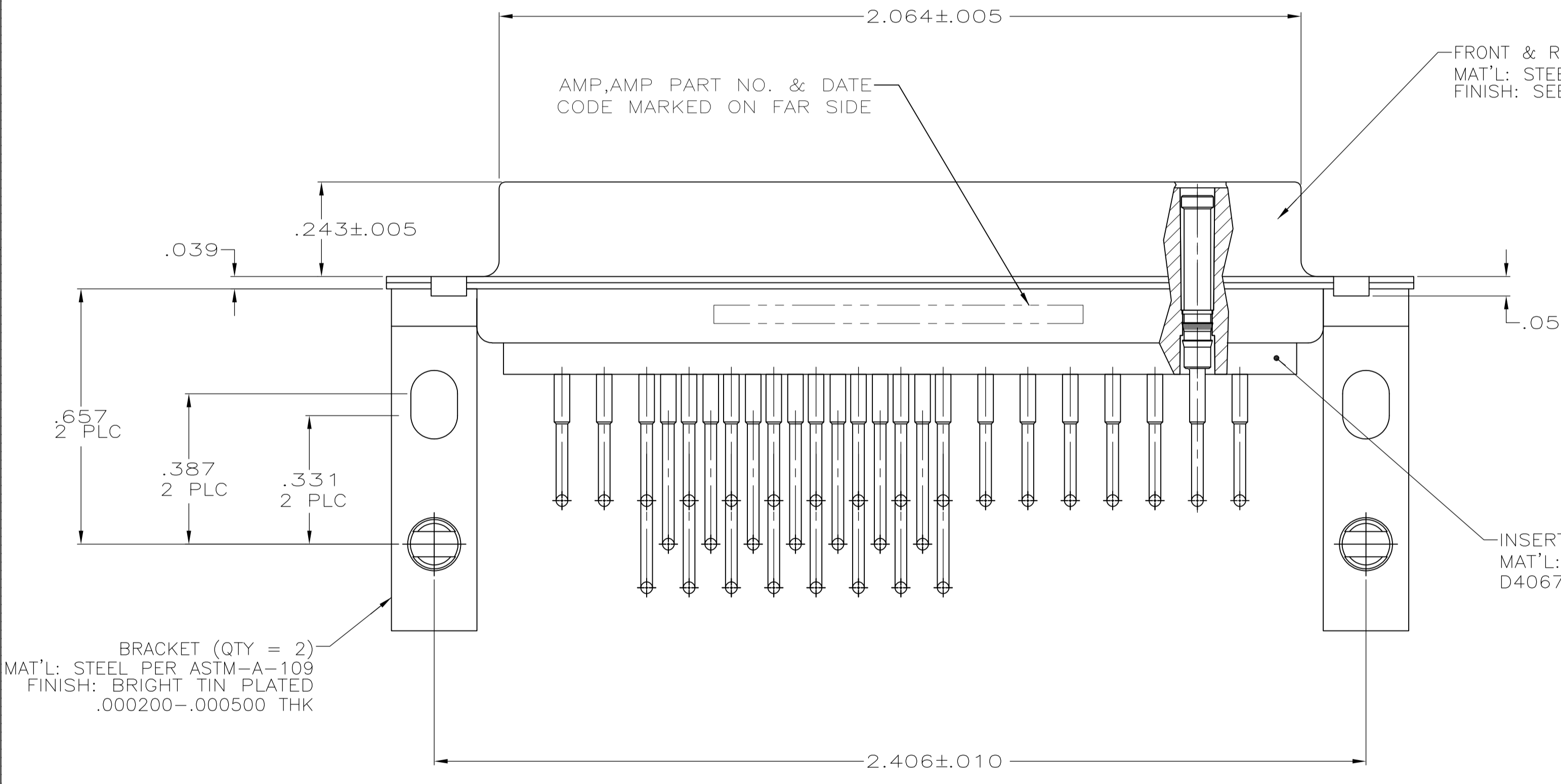
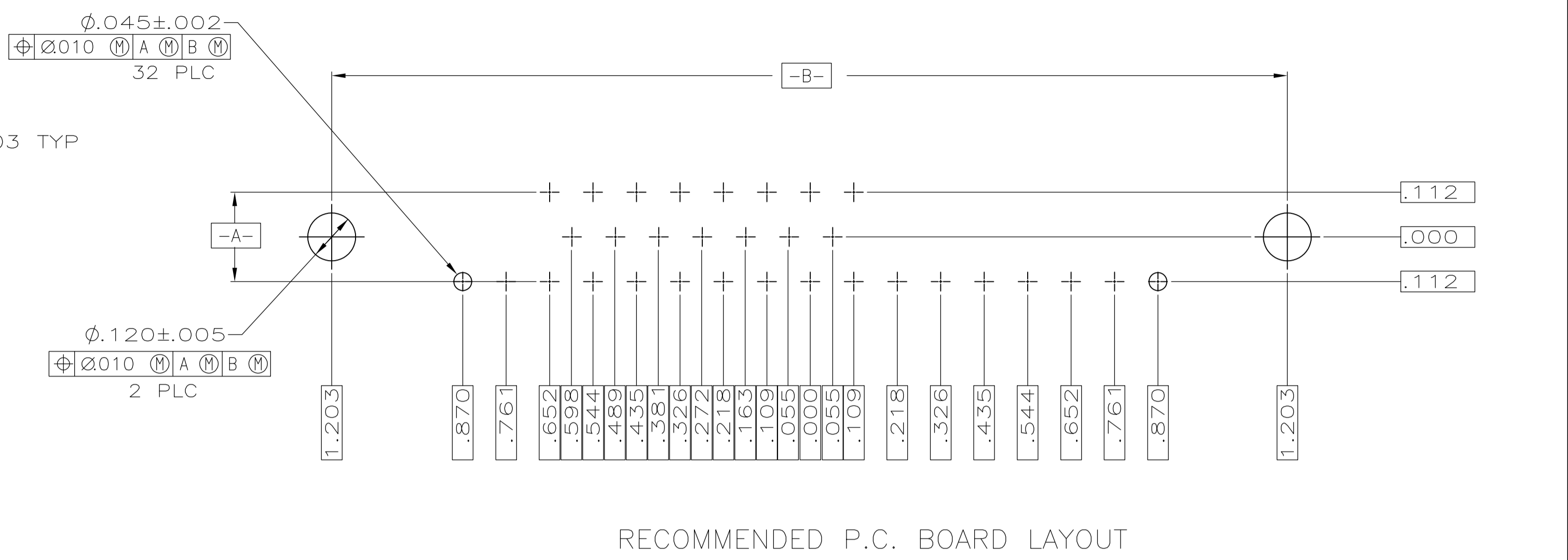
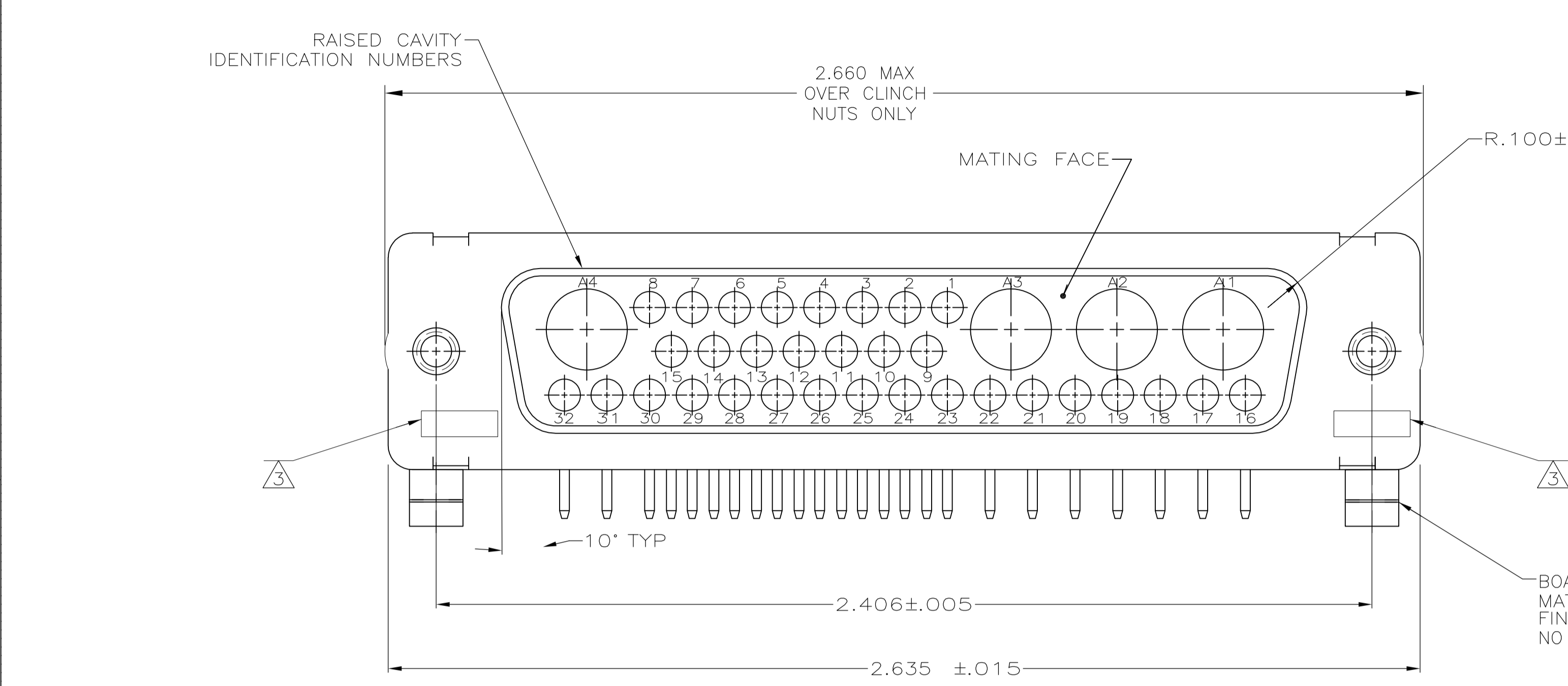
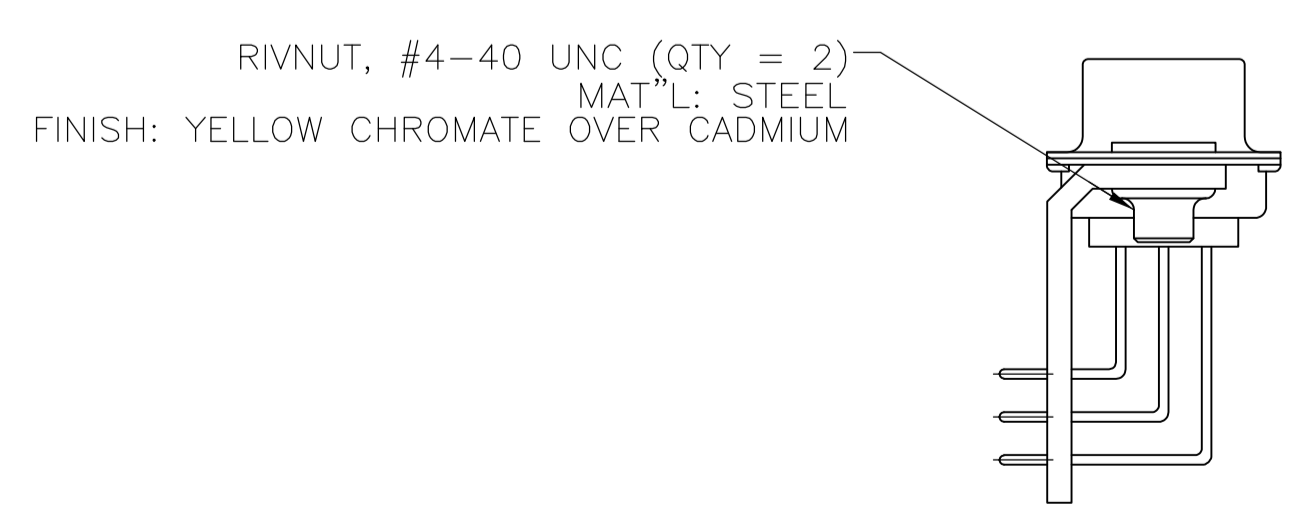


REVISIONS					
P	LTR	DESCRIPTION	DATE	DMN	APVD
M	REV PER ECO	16-018281	1-11-17	CT	DM



- THIS RECEPTACLE WILL MATE WITH ANY 36C4 SIZE 5 PLUG IN THE AMPLIMITE SERIES.
 - THIS CONNECTOR ACCEPTS SIZE 8 POWER OR COAX SOCKET CONTACTS. (QTY = 4) NOT INCLUDED. CONSULT PRODUCT ENGINEERING FOR ADDITIONAL INFORMATION.
- UL/CSA DESIGNATION MARKED IN THIS LOCATION. (OPTIONAL)
RIVNUT MAY BE USED AS ALTERNATE. (SEE DETAIL A). (445029-1 ONLY)



DETAIL A
ALTERNATE ASSEMBLY
SCALE 2:1
VIEW SHOWN
WITHOUT BOARDLOCK

MATTE TIN PLATED .000100 MIN THK	ZINC PLATED .000100 MIN THK WITH SUPPLEMENTARY CHROMATE	ZINC PLATED .000200 MIN THK WITH SUPPLEMENTARY CHROMATE	RoHS COMPLIANT	5-445029-1
MATTE TIN-LEAD .000100 MIN THK	ZINC PLATED .000100 MIN THK YELLOW CHROMATE	CADMIUM PLATED .000300-.000500 THK PER QQ-P-416, YELLOW CHROMATE	AS SHOWN	445029-1
BOARDLOCK FINISH	CLINCH NUT FINISH	SHELL FINISH	DESCRIPTION	PART NO.

THIS DRAWING IS A CONTROLLED DOCUMENT.		DIN C.C. THOMAS 4-15-03		TE Connectivity	
DIMENSIONS: INCHES		TOLERANCES UNLESS OTHERWISE SPECIFIED:		NAME	
0 PLC ± .010		1 PLC ± .005		D. MILLER	
1 PLC ± .005		2 PLC ± .002		D. MILLER 4-15-03	
2 PLC ± .002		3 PLC ± .001		PRODUCT SPEC	
3 PLC ± .001		4 PLC ± .0005		APPLICATION SPEC	
4 PLC ± .0005		ANGLES ± 9° 30'		SIZE	
MATERIAL SEE CALLOUTS		FINISH SEE CALLOUTS		WEIGHT 0.000000	
				A1 00779 445029	
				CUSTOMER DRAWING	
				SCALE 4:1 SHEET 1 OF 1 REV M	