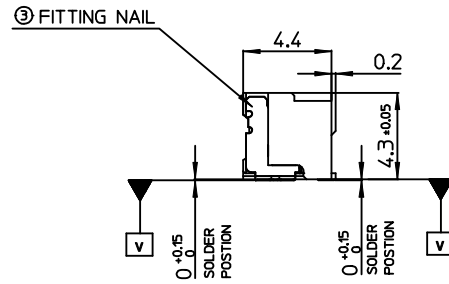
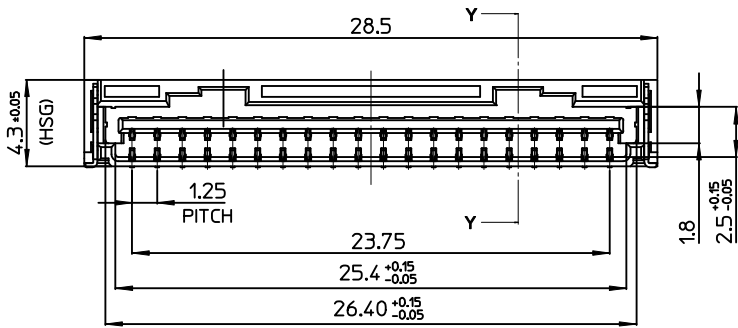
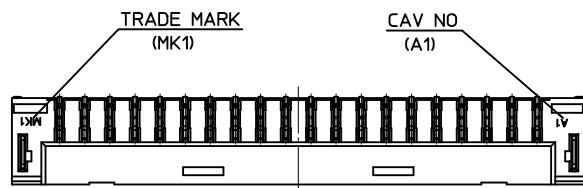
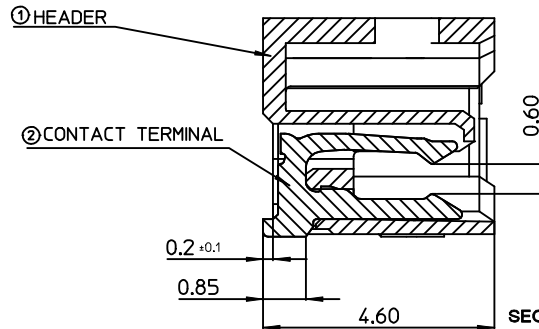
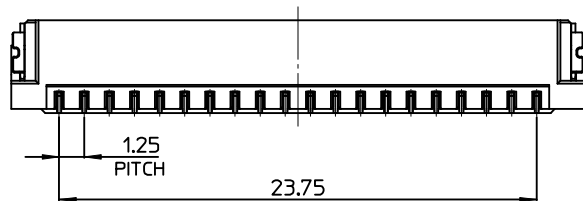


RECOMMEND PATTERN [REF.]
[PCB GENERAL TOLERANCE ±0.05]



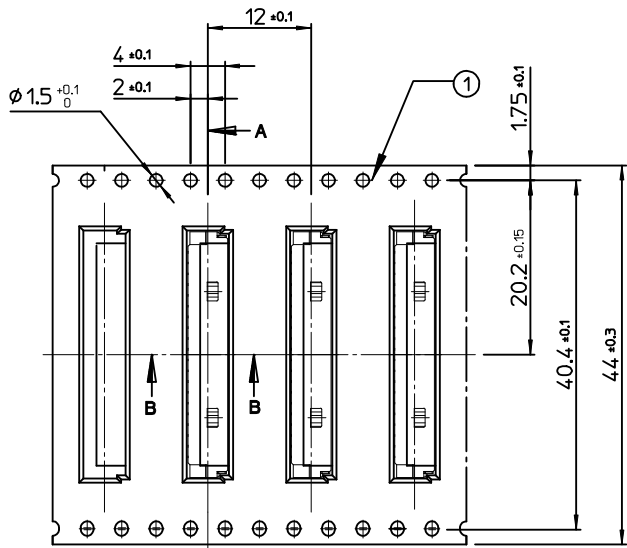
NOTES.

- MATED WITH : 104092-2000 / 2010
- MATERIALS
 - ⊙ HEADER : LCP, VECTRA E130i
GLASS FILLED, UL94V-0,
HALOGEN FREE,NATURAL COLOR
 - ⊙ CONTACT TERMINAL : PHOSPHOR BRONZE,0.2Thickness
 - ⊙ FITTING NAIL : PHOSPHOR BRONZE,0.2Thickness
- FINISHES
 - ⊙ CONTACT TERMINAL : PURE-TIN PLATING ON OVERALL.
THICKNESS 3.0μm~5.0μm
UNDER PLATING Ni OVERALL.
THICKNESS 1.25μm~3.75μm
 - ⊙ FITTING NAIL : PURE-TIN PLATING ON OVERALL.
THICKNESS 3.0μm~5.0μm
UNDER PLATING Ni OVERALL.
THICKNESS 1.25μm~3.75μm
- COPLANALITY OF SOLDER TAILS (PEAK TEMP. : 260°C),
BEFORE&AFTER REFLOW : 0.08MAX
- PRODUCT SPECIFICATION : PS-104091-001

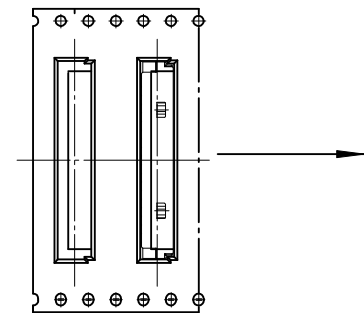


ORDER NO 104091-2020

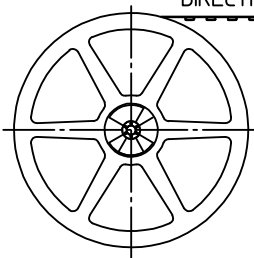
RELEASED EC NO: KOR2012-0022 DRWN: JHPARK01 2010/06/10 CHKD: SHCHU APPR: YUNSIKKIM 2011/09/30	QUALITY SYMBOLS ▽=0 ▽=0	GENERAL TOLERANCES (UNLESS SPECIFIED) <table border="1"> <tr> <td></td> <td>mm</td> <td>INCH</td> </tr> <tr> <td>4 PLACES</td> <td>± ---</td> <td>± ---</td> </tr> <tr> <td>3 PLACES</td> <td>± ---</td> <td>± ---</td> </tr> <tr> <td>2 PLACES</td> <td>± 0.15</td> <td>± ---</td> </tr> <tr> <td>1 PLACE</td> <td>± 0.20</td> <td>± ---</td> </tr> <tr> <td colspan="3">ANGULAR ± 1°</td> </tr> </table>		mm	INCH	4 PLACES	± ---	± ---	3 PLACES	± ---	± ---	2 PLACES	± 0.15	± ---	1 PLACE	± 0.20	± ---	ANGULAR ± 1°			DIMENSION STYLE MM ONLY DRAWN BY: JH.PARK DATE: 2010/04/10 CHECKED BY: SH. CHU DATE: 2010/04/10 APPROVED BY: YUNSIKKIM DATE: 2011/09/30 MATERIAL NO. 1040912020	SCALE 4:1 DESIGN UNITS METRIC THIRD ANGLE PROJECTION	TITLE 1.25 W-T-B CONN. HEADER ASS'Y-20P	MOLEX INCORPORATED DOCUMENT NO. SD-104091-001 SHEET NO. 1 OF 01
		mm	INCH																					
	4 PLACES	± ---	± ---																					
	3 PLACES	± ---	± ---																					
2 PLACES	± 0.15	± ---																						
1 PLACE	± 0.20	± ---																						
ANGULAR ± 1°																								
DRAFT WHERE APPLICABLE MUST REMAIN WITHIN DIMENSIONS		THIS DRAWING CONTAINS INFORMATION THAT IS PROPRIETARY TO MOLEX INCORPORATED AND SHOULD NOT BE USED WITHOUT WRITTEN PERMISSION																						



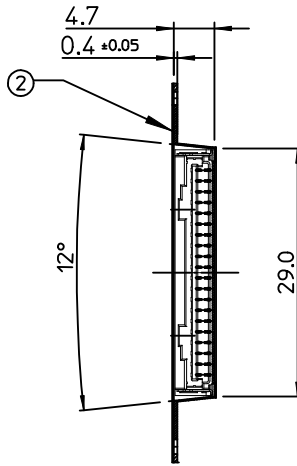
PULL OUT DIRECTION



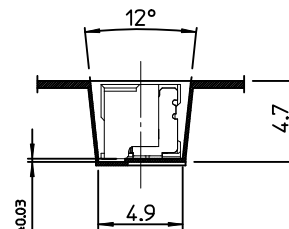
PULL OUT DIRECTION



PLASTIC BOBBIN



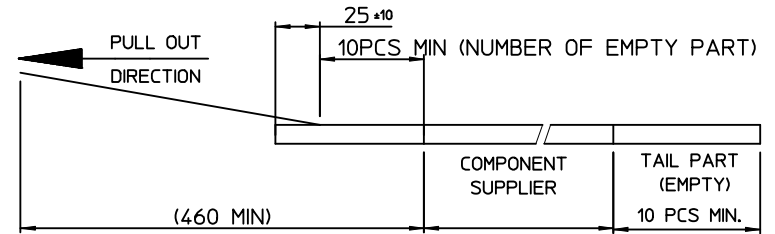
SECTION A-A



SECTION B-B

NOTES.

1. QUANTITY OF CONNECTORS : 1,500 PCS/REEL
2. LEAD LENGTH



3. PEELING OFF FORCE OF COVER TAPE : 0.1N~0.59N(10.2GF~60GF)
(PEELING DIRECTION AS SHOR IN FOLLOW FIG.)
PEELING OFF SPEED : 300mm/MIN.(Ref.)



4. FLASH IN ANY PORTION SHOULD BE LESS THAN 0.20mm MAX.
5. UNLESS OTHERWISE SPECIFIED INNER R 0.2 MAX
6. DRAFT ANGLE 3° MAX

3	PLASTIC BOBBIN	HI P.S	WHITE
2	COVER TAPE	PET ANTISTATIC	37.5 mm
1	CARRIER (EMBOSSD) TAPE	PET ANTISTATIC	
NO.	DESCRIPTION	MATERIAL	REMARK

ORDER No. 104091-2020

RELEASED EC NO: KOR2012-0022 DRWN: JHPARK01 2010/06/10 CH'KD: SH. CHU APPR: YUNSIKKIM 2011/09/30	QUALITY SYMBOLS ▽=0 ▽=0	GENERAL TOLERANCES (UNLESS SPECIFIED)		DIMENSION STYLE MM ONLY		SCALE 1:1	DESIGN UNITS METRIC	THIRD ANGLE PROJECTION			
		4 PLACES ± --- ± --- 3 PLACES ± --- ± --- 2 PLACES ± 0.15 ± --- 1 PLACE ± 0.20 ± ---	mm INCH	DRAWN BY JH.PARK	DATE 2010/04/11	TITLE EMBOSSD PACKAGE 1.25 W-T-B CONN HEADER ASS'Y-20P					
		ANGULAR ± 1°		CHECKED BY SH. CHU	DATE 2040/04/11	MOLEX INCORPORATED					
		DRAFT WHERE APPLICABLE MUST REMAIN WITHIN DIMENSIONS		APPROVED BY YUNSIKKIM	DATE 2011/09/30	MATERIAL NO. 1040912020	DOCUMENT NO. SD-104091-004	SHEET NO. 1 OF 01			