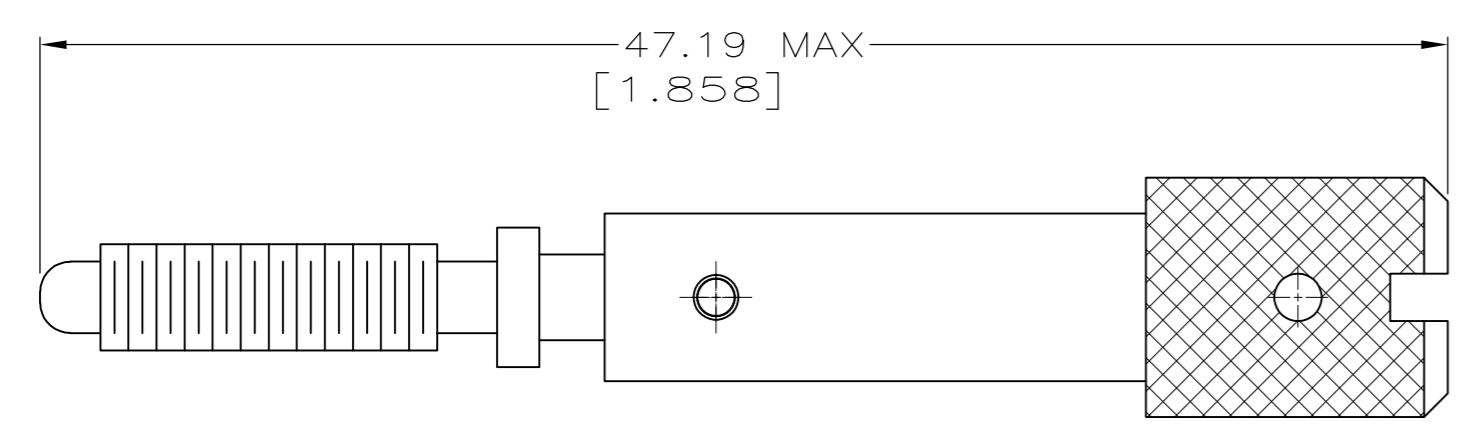
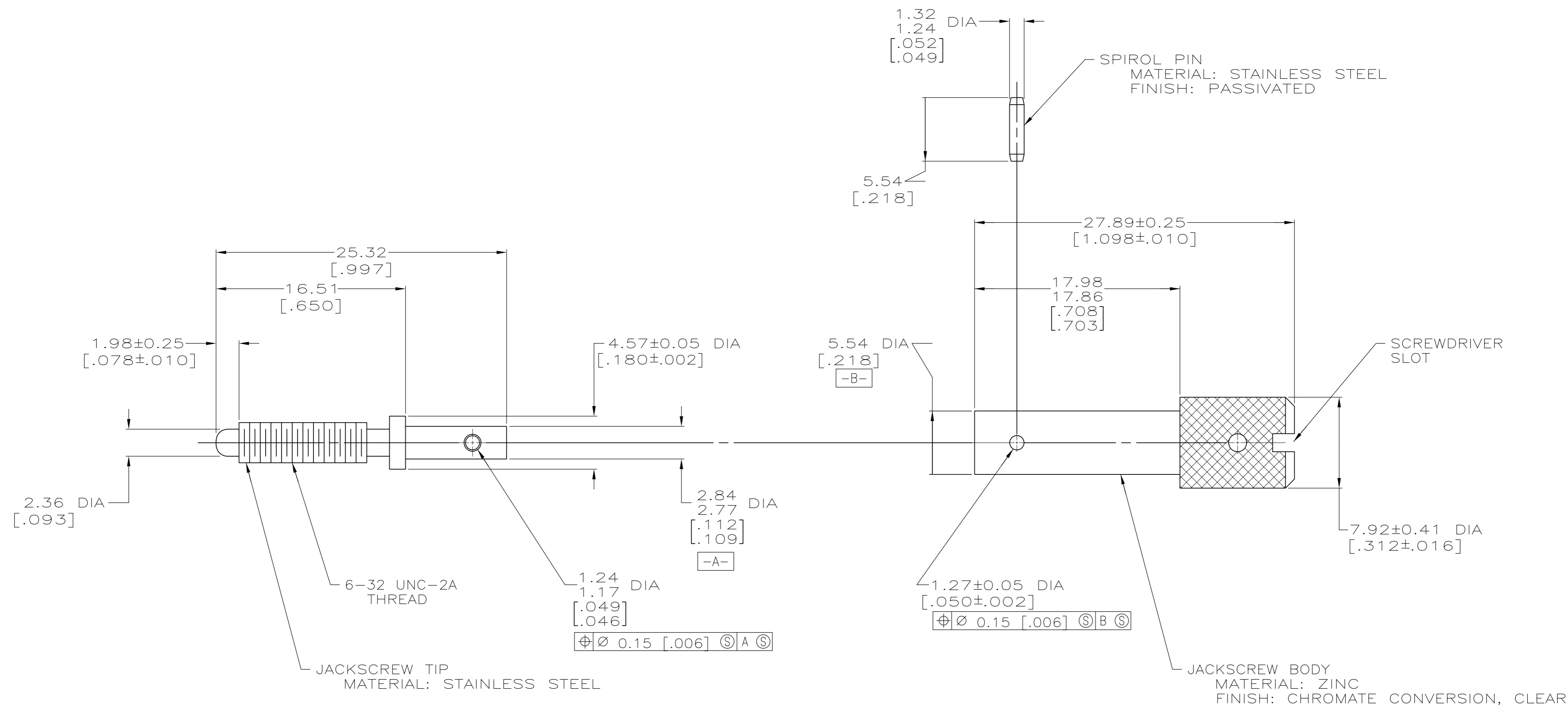


THIS DRAWING IS UNPUBLISHED. RELEASED FOR PUBLICATION
 © COPYRIGHT BY TYCO ELECTRONICS CORPORATION. ALL INTERNATIONAL RIGHTS RESERVED.

LOC	DIST	REVISIONS			
P	LTR	DESCRIPTION	DATE	DWN	APVD
BD	36	F	REV PER ECO 09-024542	03NOV09	JR GS



ASSEMBLED VIEW

ASSEMBLY	203618-2
BULK	203618-1
PACKAGING	PART NUMBER

THIS DRAWING IS A CONTROLLED DOCUMENT.		DWN C.DORWART 06 DEC 95	Tyco Electronics Corporation Harrisburg, PA 17105-3608	
DIMENSIONS: MM [INCHES]		CHK R.STONE 15 DEC 95	NAME G.STEINHAUER	
TOLERANCES UNLESS OTHERWISE SPECIFIED:		APVD G.STEINHAUER 18 JAN 96	PRODUCT SPEC	
0 PLC ± -	1 PLC ± -	APPLICATION SPEC	MALE JACKSCREW KIT, UNASSEMBLED, SHORT FOR GROUNDING CONN, M SERIES	
2 PLC ± 0.13 [.005]	3 PLC ± -	WEIGHT	SIZE A2	CAGE CODE 00779
4 PLC ± -	ANGLES ± -	FINISH	DRAWING NO 203618	RESTRICTED TO
MATERIAL	FINISH	CUSTOMER DRAWING	SCALE 4:1	SHEET 1 of 1
		REV F		