



SPC301 O-ring (gasket) ID Ø.301" (7.6mm) Panel Mount Indicator



O-ring (gasket) designed to seal against water, oil, air and dust.
For L65 Series

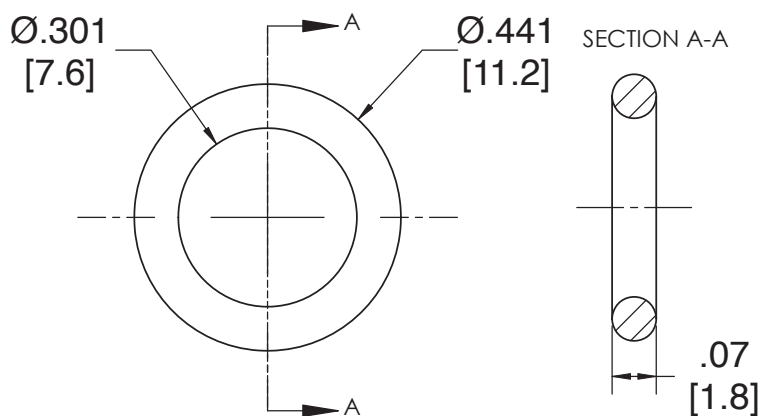
Applications

- Humid or dusty environments
- When there is presence of oil, grease, fluid, water or dirt

Key Features

- The panel gasket is intended to provide a seal between the panel and the Panel Mount Indicator.
- Molded in one piece from an elastomeric (rubber-like) material.
- Designed to seal many types of media, including water, air, dust, and oil.
- Meets ASTM D2000 standard.

Product Dimensions



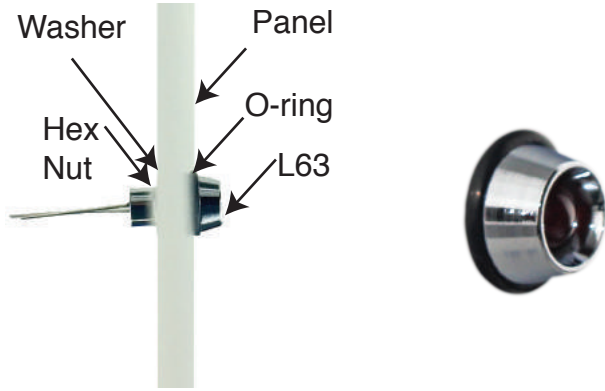
Dimensions in inches [mm]

Ordering Data

Part Number **SPC301**



SPC301



Examples: SPC301 in L65 Panel Mount Indicators

Product Specifications

Material
Buna-N, Durometer A70, black

Installation Specification	
Internal Diameter	0.301" (7.6 mm)
Thickness	0.07" (1.8 mm)
Operational Temperature	-20°F to +250°F -28.9°C to +121.1°C

Compliances and Approvals

