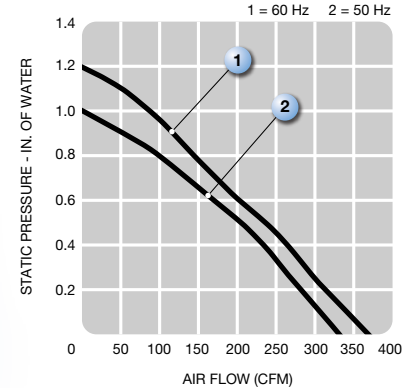
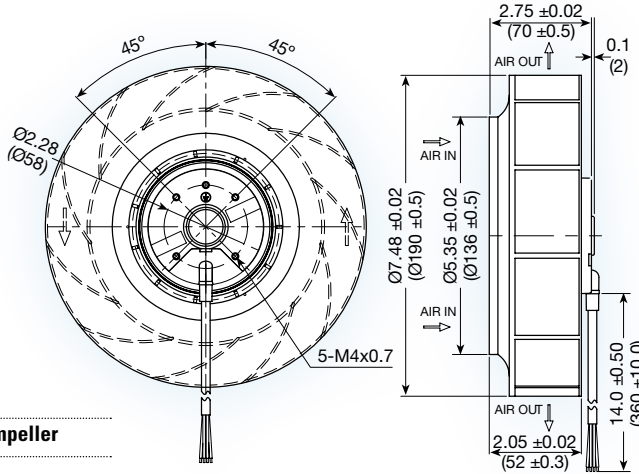


UF190APA series



(190 dia. x 70 mm)
7.48 dia. x 2.75 inches



- Features:** backward curved impeller
- Operating voltage:** 115 or 230 VAC
- Operating temp.:** -40° ~ 50°C
- Construction:** aluminum die cast motor base; UL94V-0 reinforced nylon impeller
- Bearing option:** ball bearing
- Motor:** permanent split capacitor required capacitor included
- Air Flow:** centrifugal
- Connection:** 22 AWG lead wires
- Protection:** thermal
- Option:** tachometer output

Model No.	Rated Voltage V	Freq. HZ	Input Power W	Rated Cur. A	Locked Cur. A	Speed RPM	Air Volume		Max. Static Pressure (H ₂ O)		Sound Noise dba	Weight kg
							M ³ /Min.	CFM	MM	INCH		
UF190APA12-H1C2A	115	50	55	0.45	0.92	2,500	9.5	335	25	1.0	60	1.2
	115	60	65	0.54	0.91	2,700	10.4	370	30	1.2	63	1.2
UF190APA23-H1C2A	230	50	57	0.23	0.43	2,500	9.5	335	25	1.0	60	1.2
	230	60	72	0.30	0.45	2,700	10.4	370	30	1.2	63	1.2

