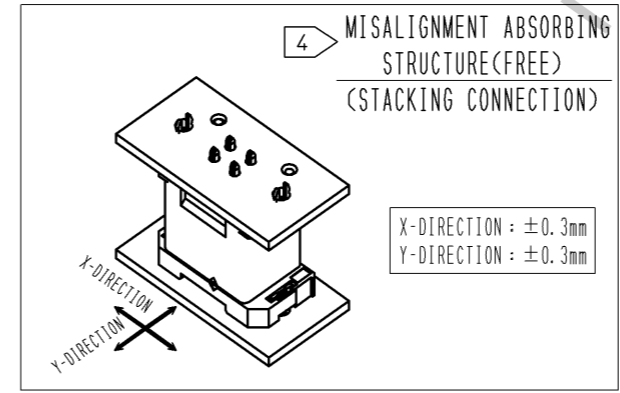
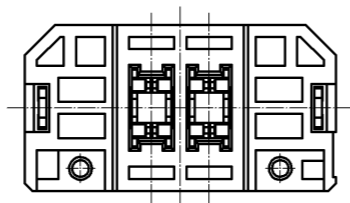
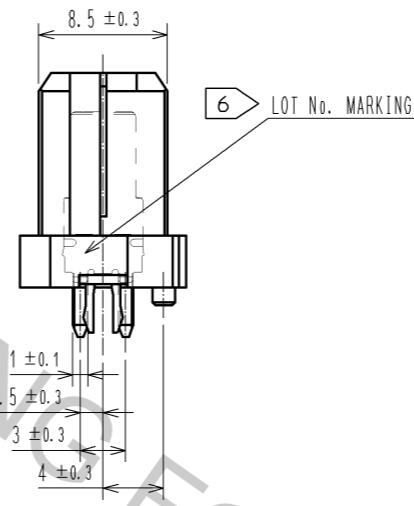
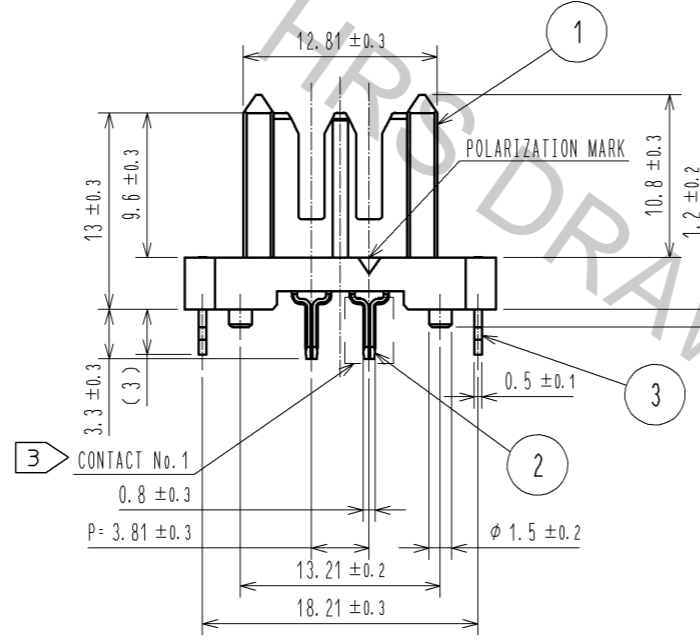
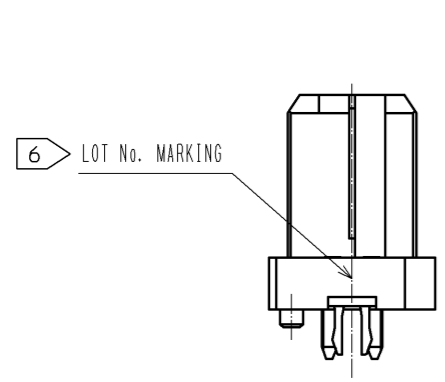
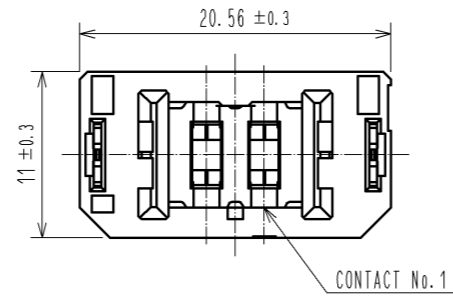
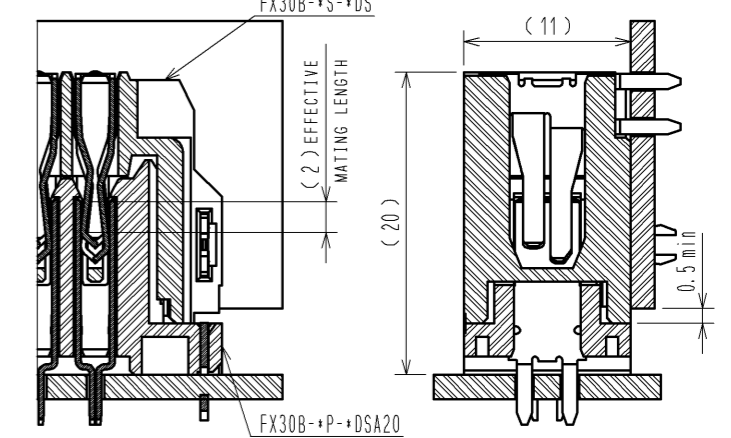


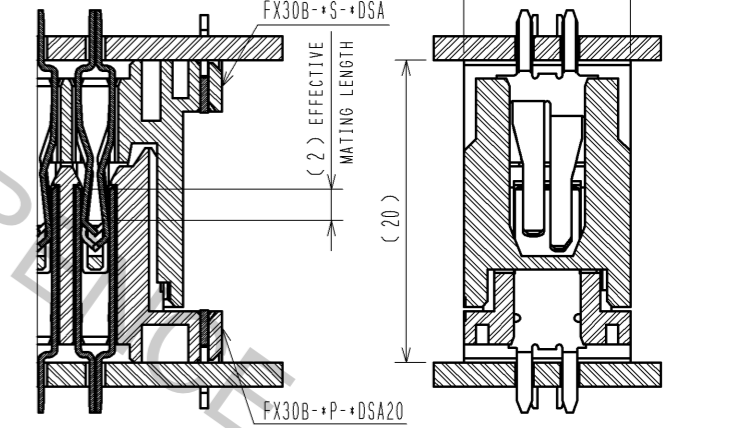
A
B
C
D
E
F



CROSS SECTION OF MATING(FREE)
VERTICAL CONNECTION

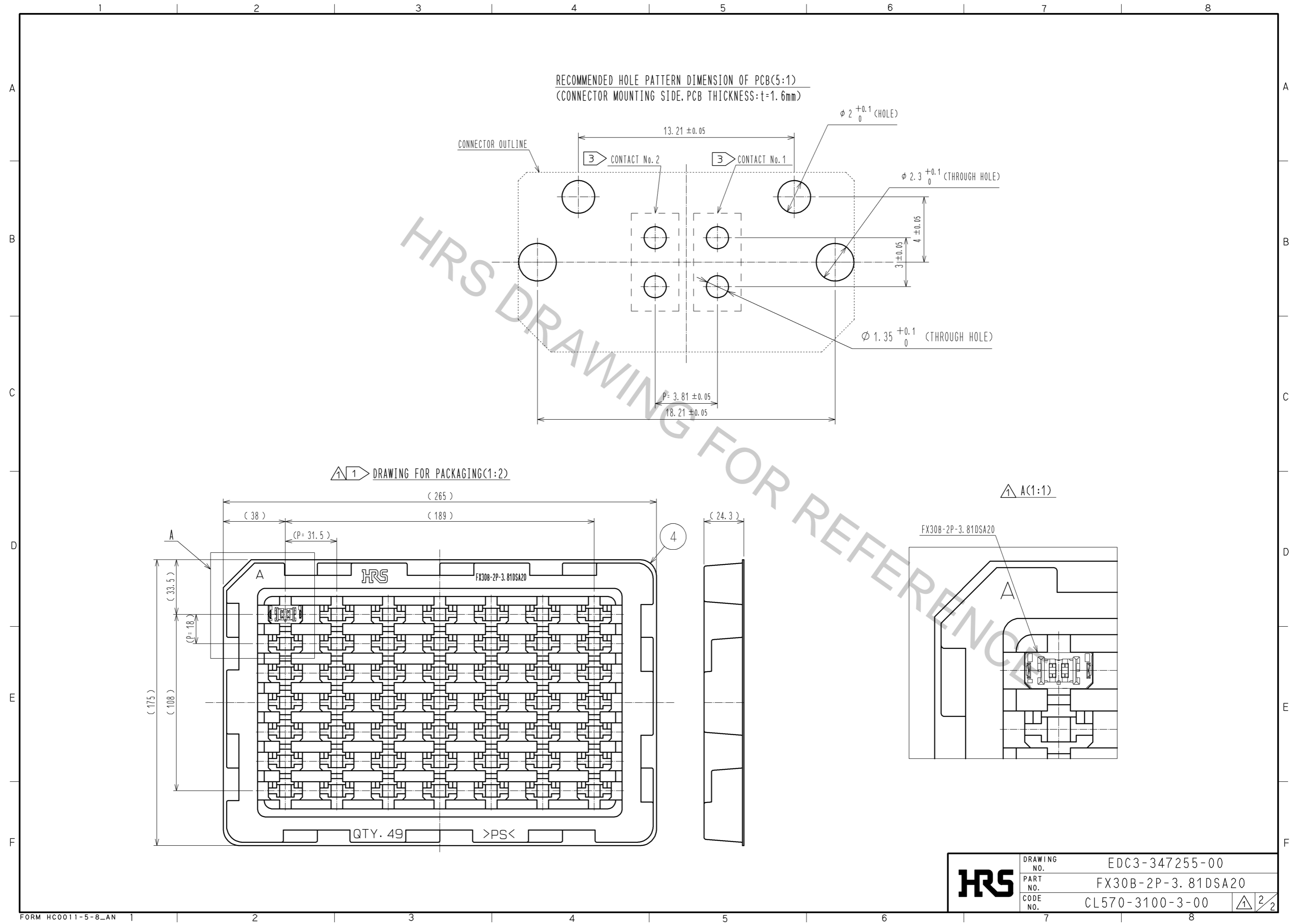


CROSS SECTION OF MATING(FREE)
STACKING CONNECTION



- NOTE
- 1 THIS PRODUCT IS PACKAGED IN TRAY. (49pcs/TRAY)
 - 2 BLEMISH AND HIT MARK CAN BE OCCURED THROUGH OUT THE MANUFACTURING PROCESS WHICH DOESN'T AFFECT QUALITY LEVEL. ALSO, BLACK SPOT COULD BE OBSERVED ON THE SURFACE OF HOUSING.
 - 3 FOR THE CONTACT NO., ADJACENT TWO PAIRS OF LEADS PLACED BACK-TO-BACK (4 LEADS IN TOTAL) COMPOSE ONE LINE.
 - 4 MISALIGNMENT ABSORBING RANGE: ± 0.3mm max.
 - 5 THE DIMENSION IN PARENTHESES ARE FOR REFERENCES.
 - 6 LOT NO. IS INDICATED AT EITHER ONE OF THE POSITION AS SHOWN.

2	COPPER ALLOY	CONTACT AREA:GOLD-PLATING 0.1 μm	4	POLYSTYRENE			
		LEAD AREA:TIN-PLATING 1.0 μm			3	PHOSPHOR BRONZE	TIN-PLATING 3.0 μm
		UNDER PLATING:NICKEL 1.0 μm					UNDER PLATING:NICKEL 1.0 μm
1	POLYAMIDE	BLACK UL94V-0					
NO.	MATERIAL	FINISH . REMARKS	NO.	MATERIAL	FINISH . REMARKS		
UNITS mm		SCALE 2 : 1	COUNT 2	DESCRIPTION OF REVISIONS DIS-F-006956			
APPROVED : HS. OKAWA 13.03.07			DESIGNED DK. AIMOTO	CHECKED KI. HIROKAWA			
CHECED : KI. HIROKAWA 13.03.07			DATE 13.08.26				
DESIGNED : DK. AIMOTO 13.03.07			DRAWING NO. EDC3-347255-00				
DRAWN : DK. AIMOTO 13.03.07			PART NO. FX30B-2P-3.81DSA20				
HRS HIROSE ELECTRIC CO., LTD.			CODE NO. CL570-3100-3-00				



HRS	DRAWING NO.	EDC3-347255-00	①/2
	PART NO.	FX30B-2P-3.81DSA20	
	CODE NO.	CL570-3100-3-00	