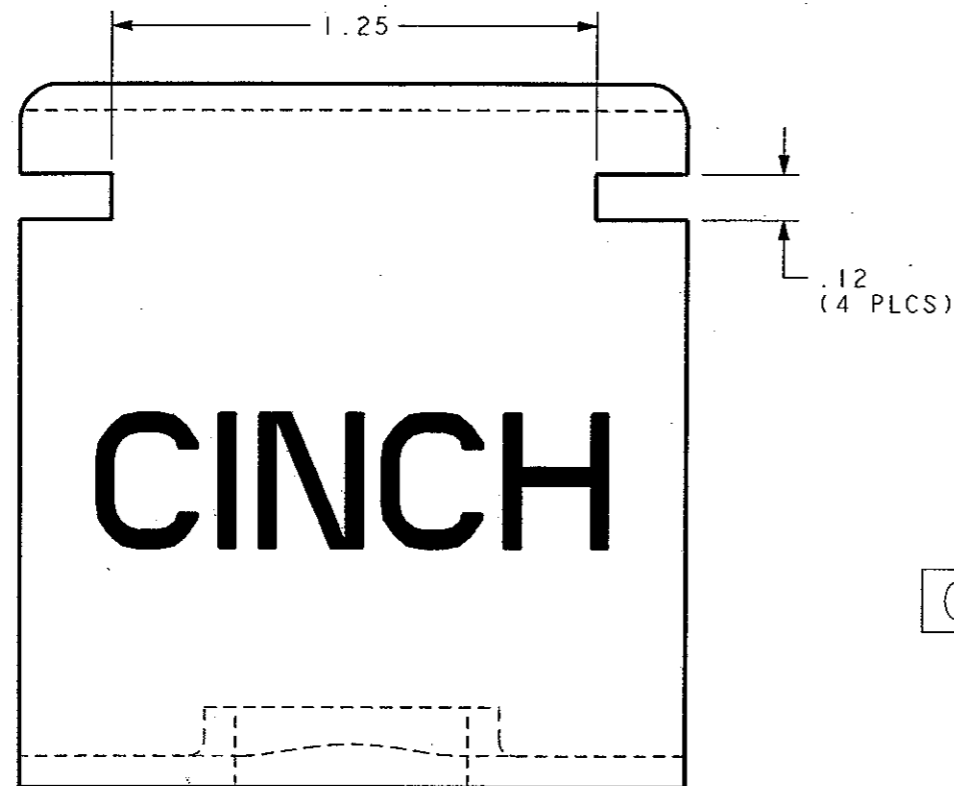
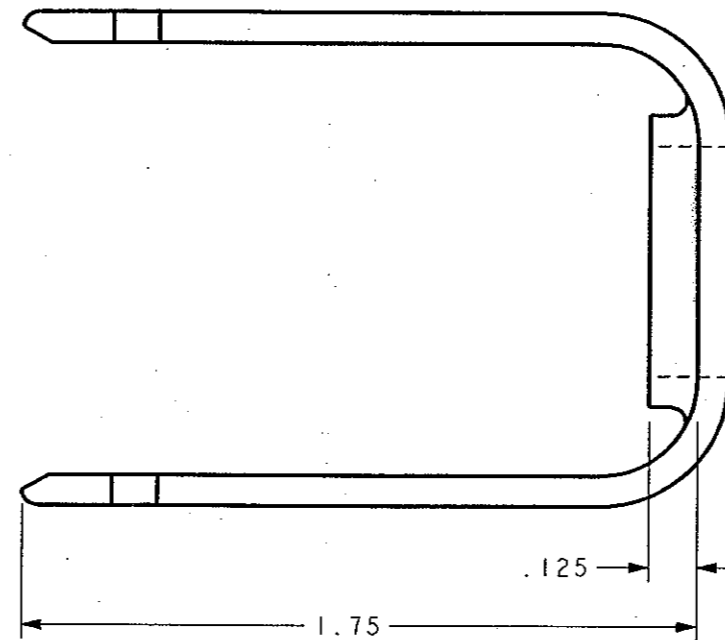
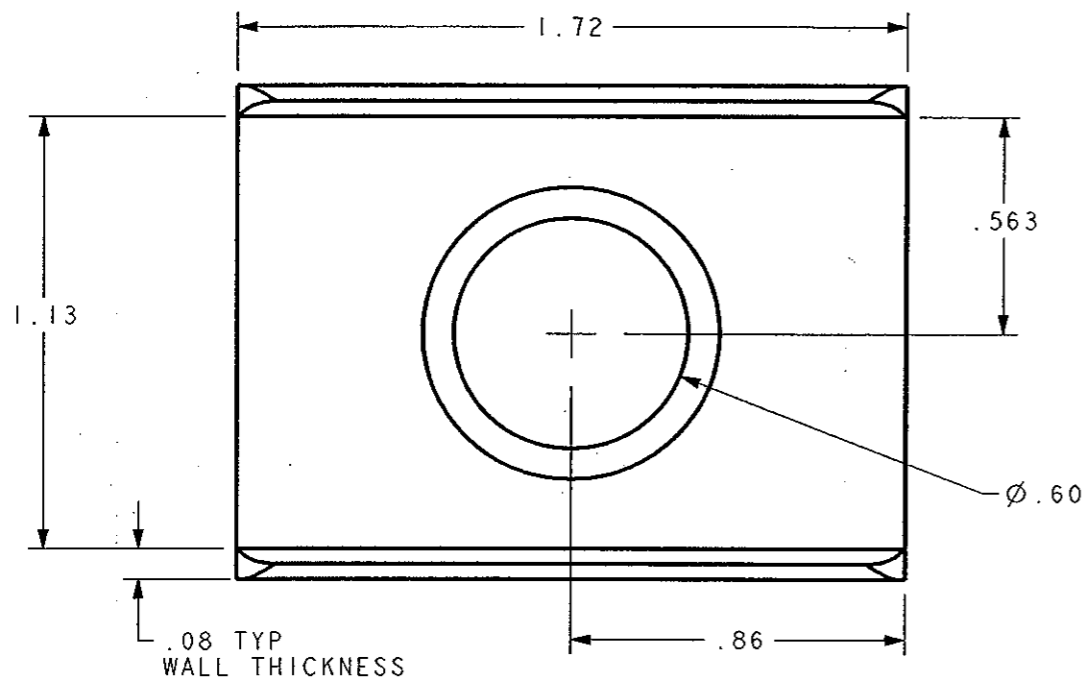


DRAWING REVISIONS

REV	DOCUMENT	APP	DATE
A	DRAWING RELEASE	A.C.	11-07-05



- NOTES: (UNLESS OTHERWISE SPECIFIED)
1. MATERIAL: 30% GLASS FILLED POLYESTER, COLOR IS BLACK.
  2. SNAP-ON MATE WITH 18 WAY PUSH TO SEAT HARNESS CONNECTOR.
  3. TOLERANCES: .XXX ±.010  
.XX ±.025

CINCH PART NUMBER 581 00 00 101

UNITS ENGLISH		PRO/E		Cinch		1700 FINLEY RD LOMBARD, IL. 60148	
DO NOT SCALE DRAWING		DRAWN BY G. Tomczak	DATE 10-31-05	TITLE SPLASH GUARD, 18 SIZE		CONTROL SPEC NUMBER	
		DESIGN ENGINEER L. Pacini	9-18-98	MATERIAL SEE NOTE 1		PROJECT NUMBER	
		DESIGN ENGINEERING MGR. A. Caines	11-07-05	MATERIAL SPEC NUMBER	FINISH		
		MFG. ENGINEERING M. Olalde	9-24-98	CAD FILE NUMBER 5810000101S	DRAWING NUMBER 581 00 00 101S		
		QUALITY ASSURANCE R. Schlacks	9-25-98	CAGE IDENT NO. SIZE 71785 B	SCALE 2:1	SHEET 1 OF 1	

THIS DOCUMENT IS THE PROPERTY OF CINCH. NEITHER THIS DOCUMENT NOR ANY OF THE INFORMATION CONTAINED IN IT MAY BE DUPLICATED OR DISCLOSED WITHOUT PRIOR WRITTEN CONSENT OF CINCH.