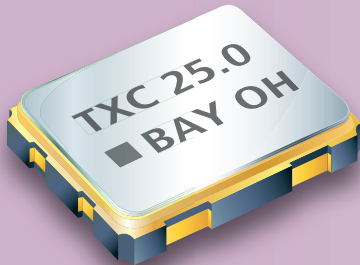


# SMD RTC Crystal Oscillators 5.0 x 3.2 x 1.2 mm ACZ Series



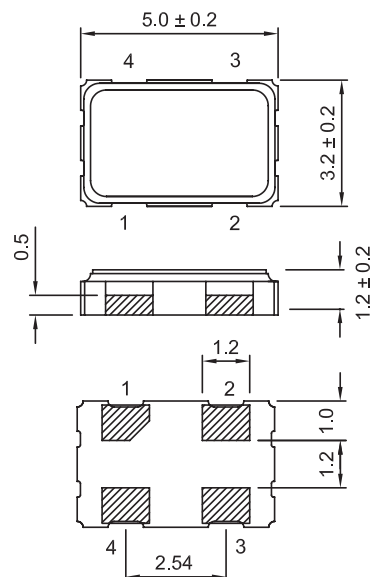
## Features

- kHz crystals oscillator in SMD seam sealed ceramic package.
- 4 pads design to achieve good soldering contact on PCB.
- AT fundamental solution provides good frequency stability.

## Electrical Specifications

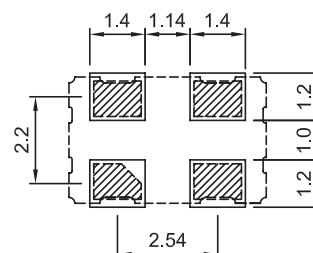
Item / Type	ACZ	
Output Type	CMOS	
Output Load	15 pF	
Oscillation Mode	Fundamental	
Supply Voltage	1.8 V, 2.5 V, 2.8 V, 3.3 V	
Frequency Range	32.768 kHz	
Frequency Stability	± 25 ppm, ± 50 ppm, ± 100 ppm	± 50 ppm, ± 100 ppm
Operating Temperature Range	- 40 ~ + 85 °C	- 40 ~ + 105 °C
Storage Temperature Range	- 55 ~ + 125 °C	
Voltage Vol ( Max. ) / Voh ( Min. )	0.1 VDD / 0.9 VDD	
Rise ( Tr ) / Fall ( Tf ) Time	200 ns Max.	
Supply Current	3 mA Max.	
Symmetry	45 ~ 55 %	
Start-up Time	10 ms Max.	
Aging ( at 25 °C )	± 5 ppm / year Max.	
Reliability Standard	AEC-Q100	

## Dimensions



PAD FUNCTION:  
 1:ENABLE CONTROL  
 2:GND  
 3:OUT  
 4:VDD

### Suggested Layout



Units: mm