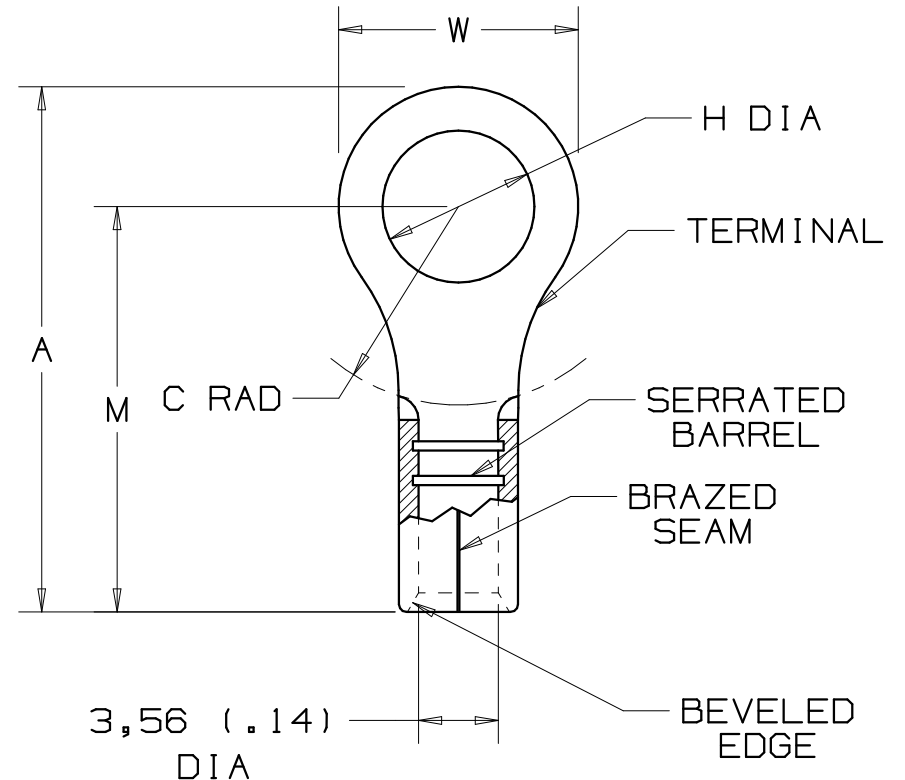


THIS COPY IS PROVIDED ON A RESTRICTED BASIS AND IS NOT TO BE USED IN ANY WAY DETRIMENTAL TO THE INTERESTS OF PANDUIT CORP.

PANDUIT PART #	STUD SIZE	DIMENSIONS mm				
		A $\pm 0,51$	W $\pm 0,25$	C $\pm 0,38$	M $\pm 0,51$	H $\pm 0,25$
PREFIX						
PM6-3R	M3	19,21 (.76)	5,84 (.23)	7,87 (.31)	15,75 (.62)	3,30 (.13)
PM6-4R	M4	19,81 (.78)	7,87 (.31)	7,87 (.31)	15,75 (.62)	4,57 (.18)
PM6-5R	M5	20,57 (.81)	9,50 (.37)	7,87 (.31)	15,75 (.62)	5,33 (.21)
PM6-6R	M6	23,50 (.93)	10,90 (.43)	9,65 (.38)	17,78 (.70)	6,86 (.27)
PM6-8R	M8	24,70 (.97)	13,25 (.52)	9,65 (.38)	17,78 (.70)	8,64 (.34)



NOTES:

- USED FOR:  
A. 2,5-6,0mm<sup>2</sup> (#12-10 AWG), SOLID OR STRANDED, COPPER WIRE
- MATERIAL:  
A. STAMPING - 1,02mm (.04) THK COPPER, TIN PLATED
- DIMENSIONS IN BRACKETS ARE IN INCHES
- PACKAGE QTY:  
A. -X =10, -L=50, -D =500
- WIRE STRIP LENGTH: 7,1 <sup>+8</sup>/<sub>-0</sub> (9/32 <sup>+1/32</sup>/<sub>-0</sub>)
- INSTALLATION TOOLS: REF. DWGS. A41522, A41523, A41524, A41525

A41423\_03

03	10/06	DAW	DAW	ADDED -X PACKAGE QTY.	TRO0171	LCA	TRO			
02	10/97	TM	WJB	CHANGED DECIMAL POINTS TO COMMAS	06431	LCA	DBH			
01	1/97	TM	RLS	UPDATE DIMENSIONS FILESPEC WAS NPC_A41423_00	05478	LA	DH			
00	10/91	BK	RLS	RELEASED	00687	LA	KRS			
REV DATE BY CHK DESCRIPTION				ECN #	CUST	PM	DRAWN BY	CHK'D	SCALE	DRAWING NO.
							BDK		NONE	A41423

NON-INSULATED METRIC RINGS  
2,5-6,0mm<sup>2</sup> BARREL