



**Mallory Sonalert Products, Inc.**

Part #:

**SBT200FL**

**Sales Outline Drawing**

Revision:

**C**

**Specifications:**

**cUL Recognized as Capable of meeting Medical Spec IEC60601-1-8**

Capacitance (pF):	70,000 ± 30% at 120 Hz
Rated Voltage (Vp-p):	5, 30 Max
Current Draw:	1.5 mA at rated voltage
Recommended Drive	200 Hz
Loudness @ 10 CM:	85 to 95 dB(A) Typ.
Harmonics Present:	Minimum of 4 peaks within ±15dB from 1-4kHz
Housing Material:	ABS 777D Plastic Resin, Black
Lead Pin:	Tin Plated Brass
Storage Temperature:	-40° to +85° C
Operating Temperature:	-30° to +65° C
Weight (Typical):	0.56 oz (16g)
Options:	Please contact factory.

**Dimensions:**

Inches [mm]

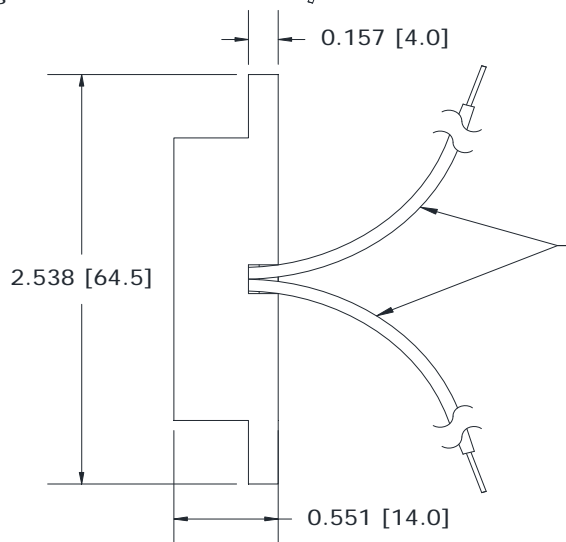
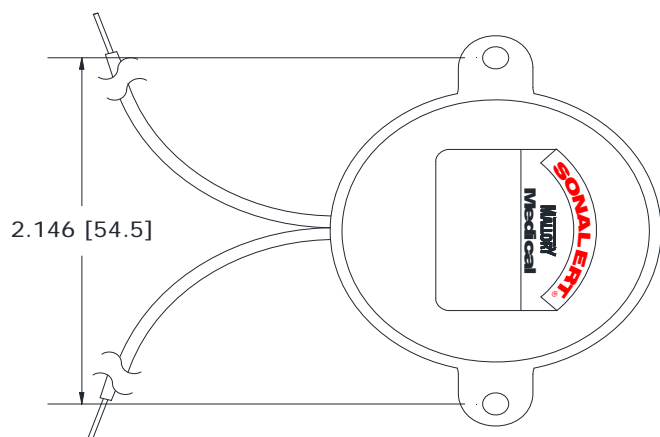
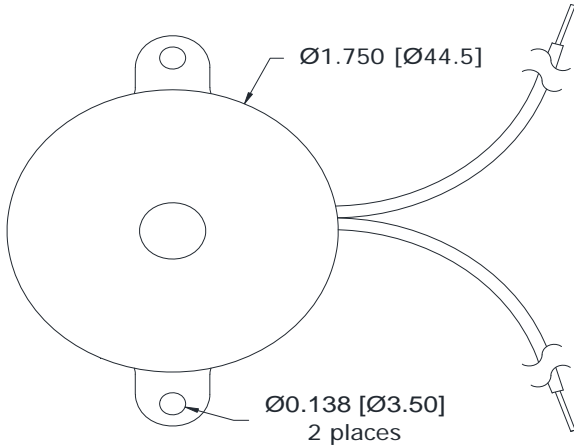
**cUL Recognized**

**ROHS Compliant**

PATENT NUMBER: 7880593

Before Code Date: 1546 Not cUL Recognized

After Code Date: 1547 cUL Recognized



FLEX. STRANDED  
CONTROL WIRES  
24 AWG INSULATED  
APPROX. 6" LONG  
BLACK WIRE (-)  
RED WIRE (+)